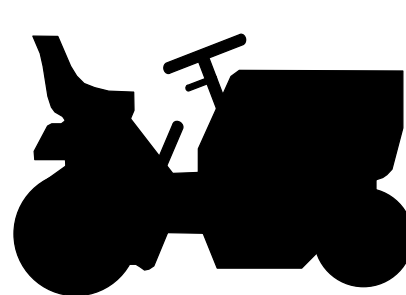
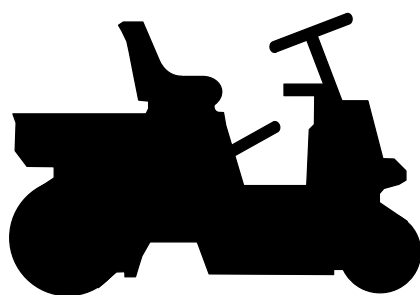
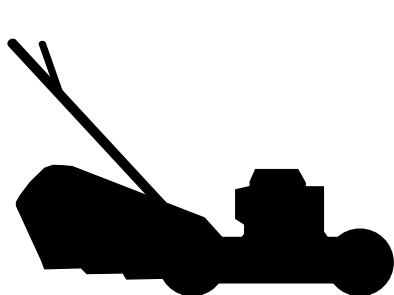
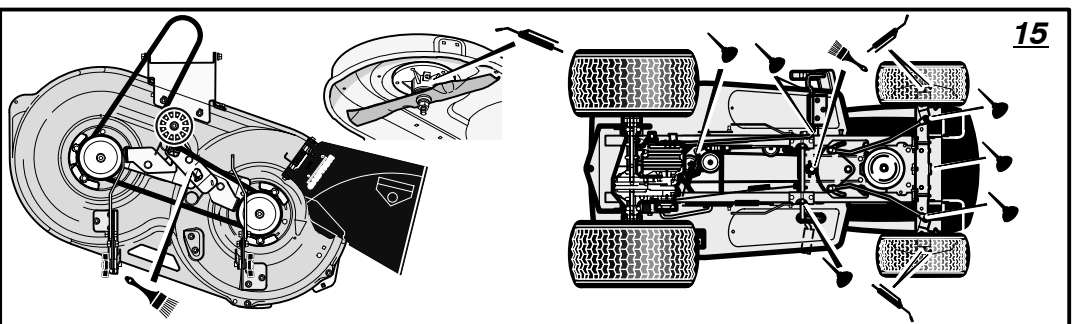
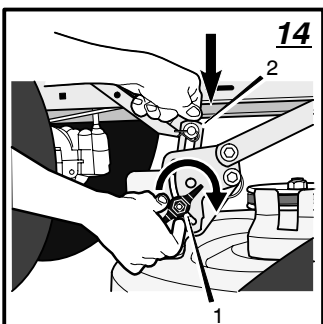
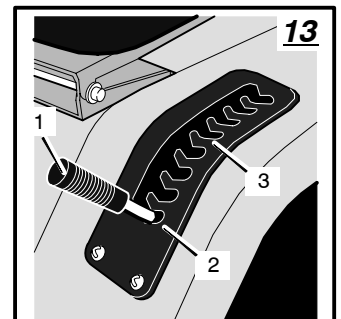
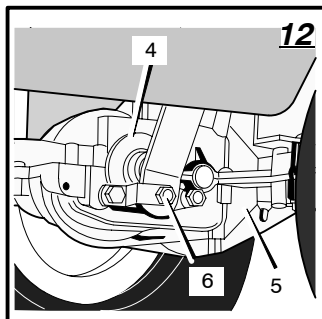
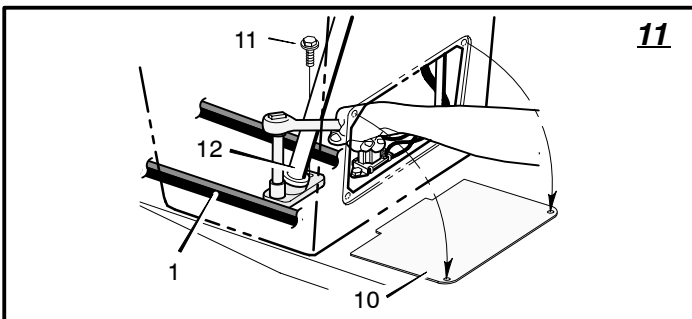
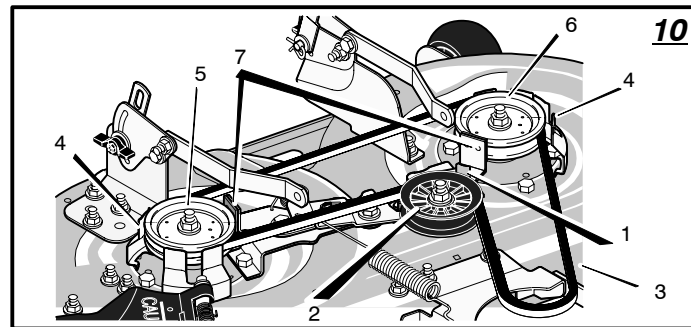
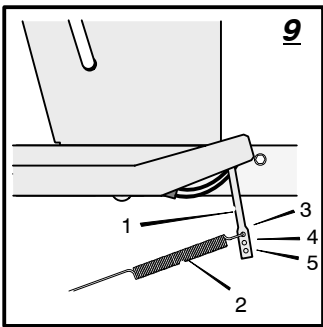
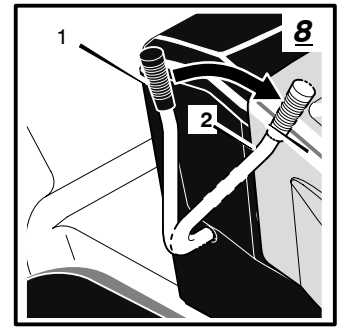
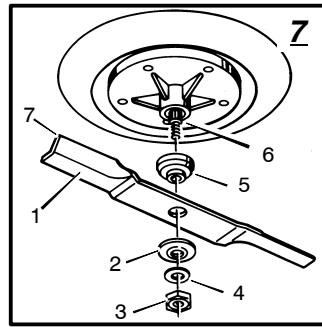
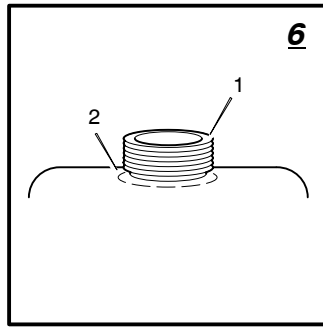
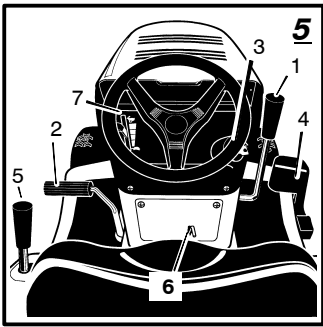
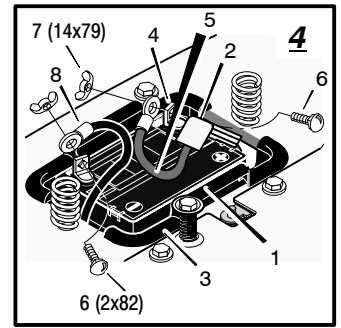
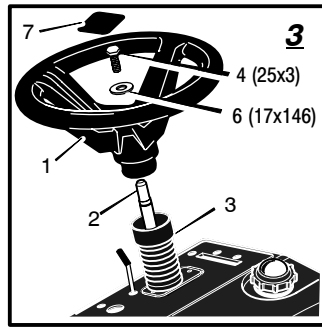
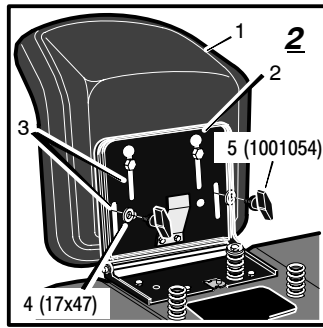
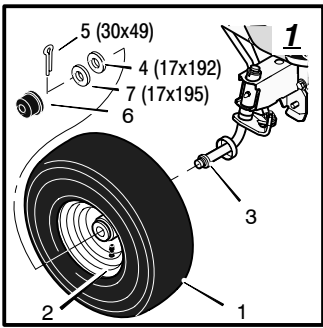
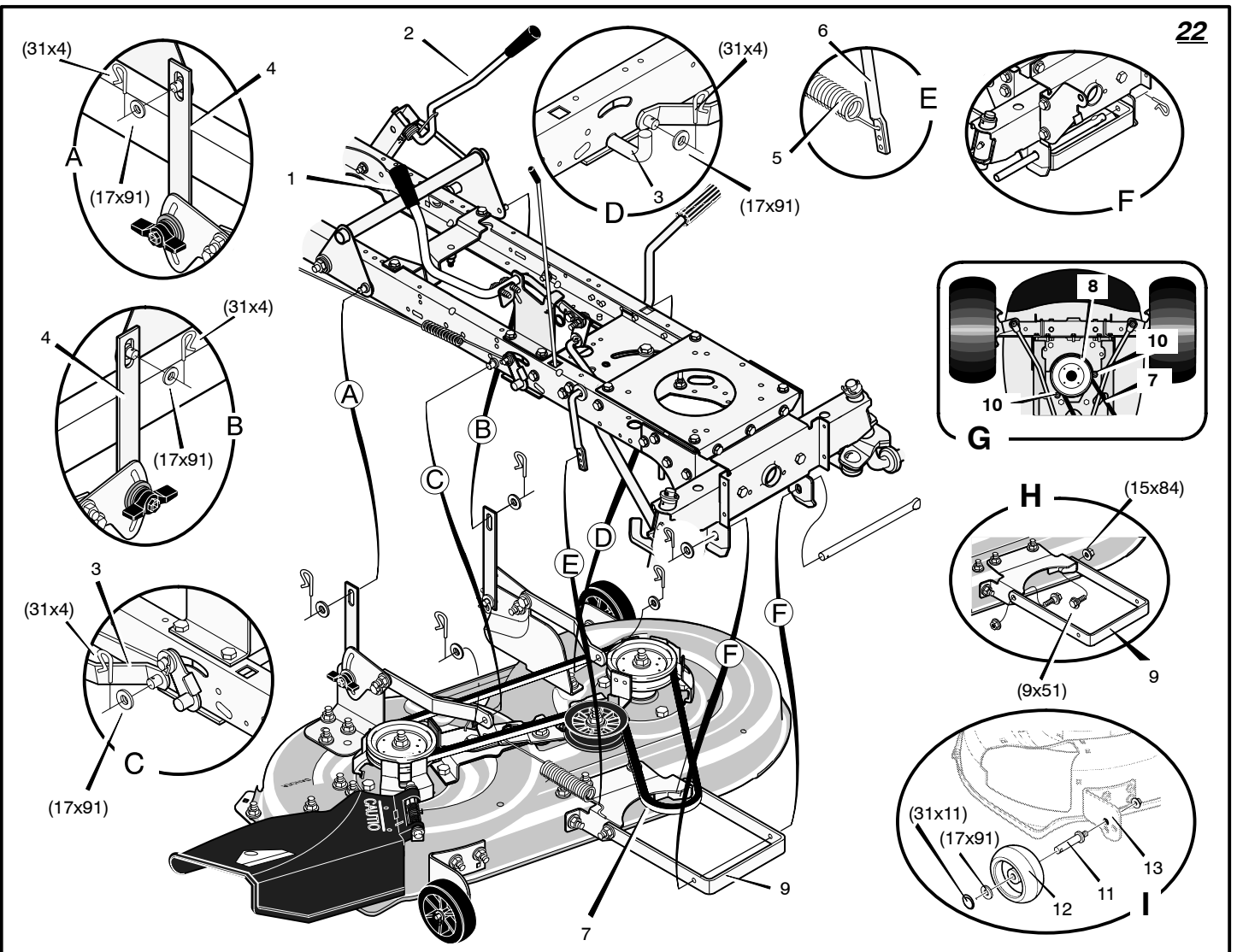
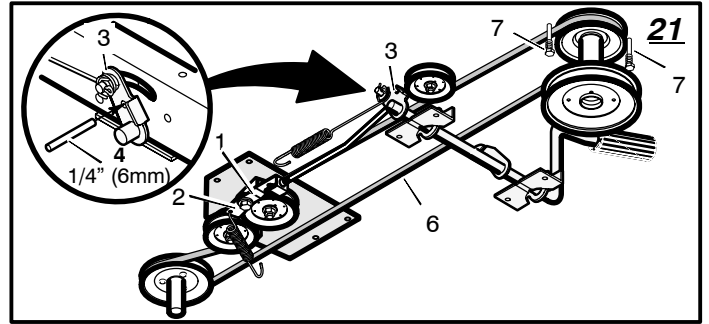
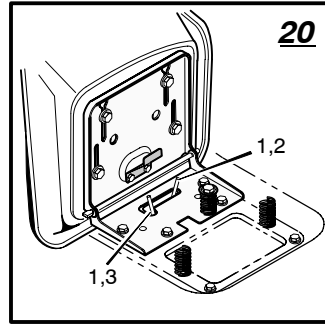
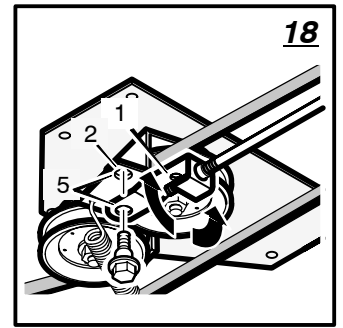
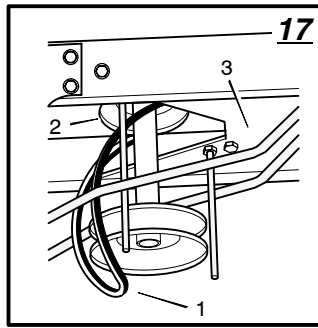
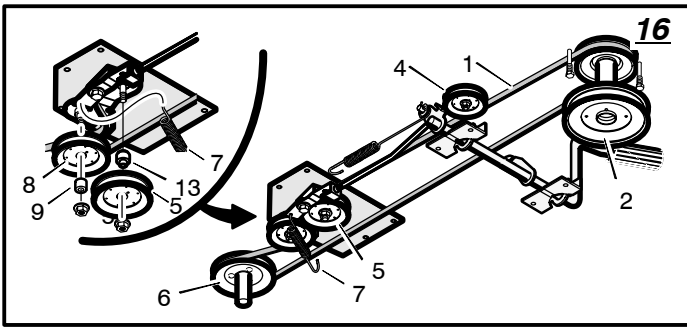
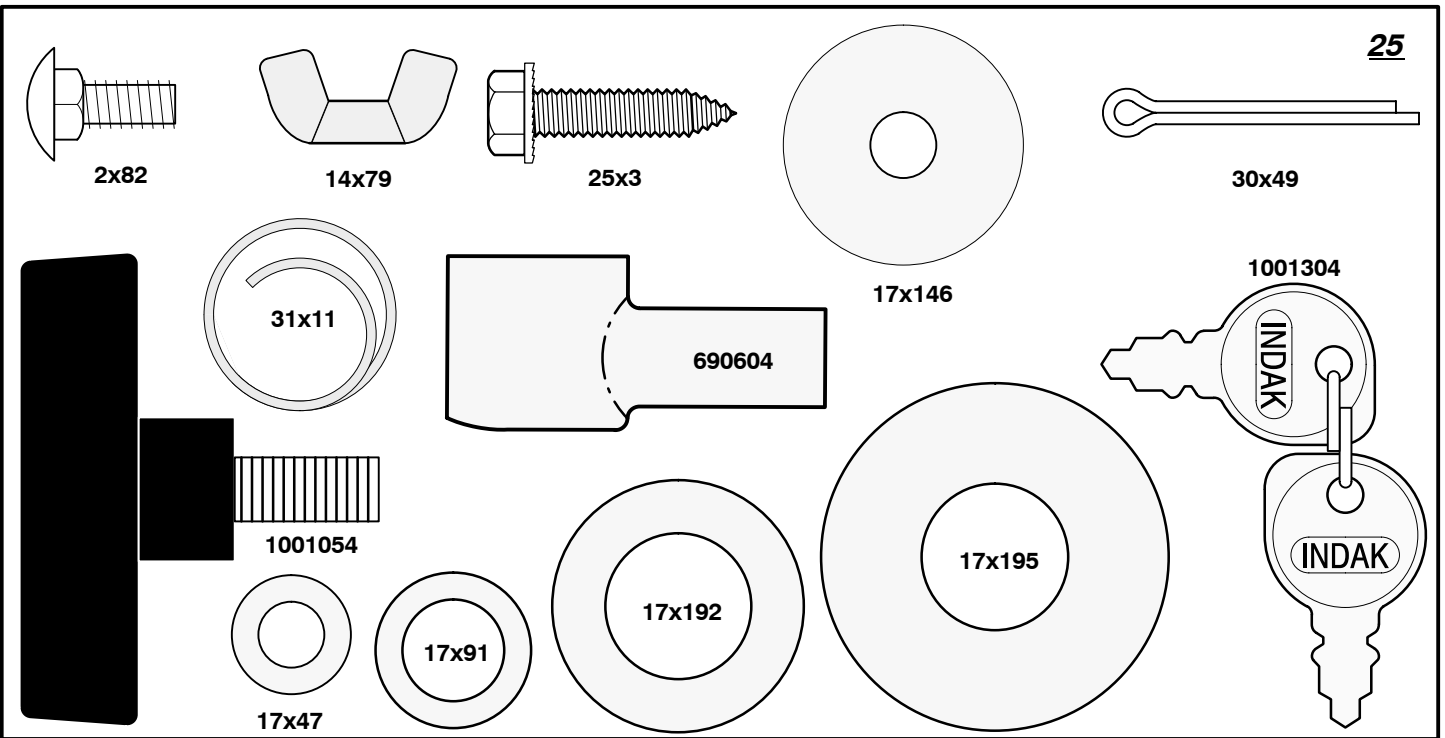
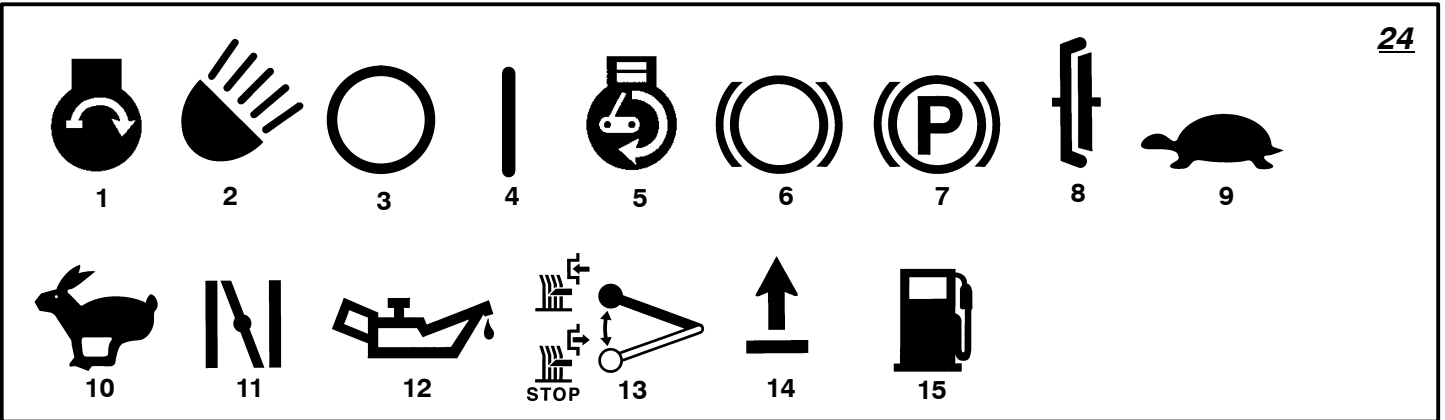
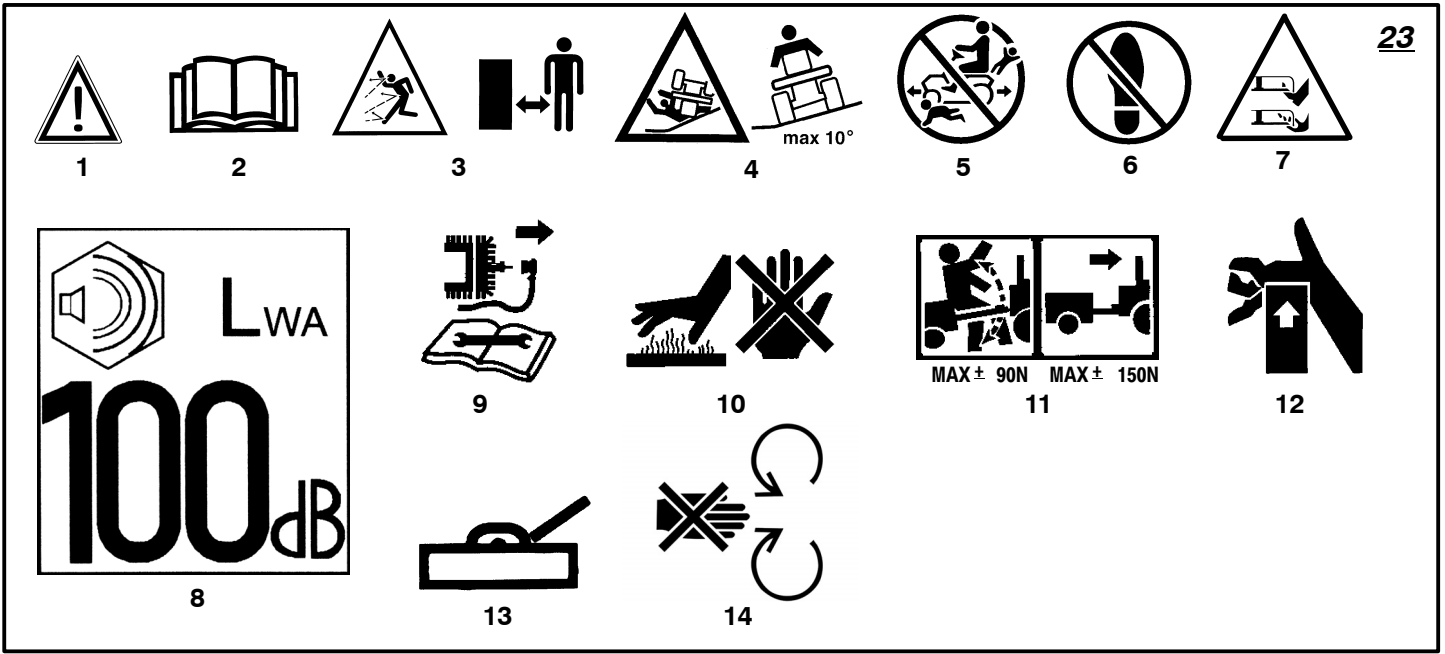


- (GB) *Instruction Book* - Riding Mower Model 425607x52A**
- (F) *Manuel de l'utilisateur* - Tondeuse autoportée modèle 425607x52A**
- (D) *Betriebsanleitung* - Aufsitzmäher Modell 425607x52A**
- (I) *Istruzioni per l'uso* - Trattore tagliaerba Modello 425607x52A**
- (NL) *Gebruikshandleiding* - Zitmaaier model 425607x52A**
- (DK) *Driftsvejledning* - Plænetraktor Model 425607x52A**
- (N) *Bruksanvisning* - Rider modell 425607x52A**
- (S) *Användarhandbok* - Trädgårdstraktor modell 425607x52A**
- (SF) *Käyttöohjeet* - Ajettava ruohonleikkuri, malli 425607x52A**
- (E) *Manual de instrucciones* - Cortacésped autoportado Modelo 425607x52A**
- (P) *Manual de instruções* - Cortador de Grama de Empurrar modelo 425607x52A**











CONTENTS

INTERNATIONAL PICTORIALS	5
OWNER'S INFORMATION	6
SAFE OPERATION PRACTICES	6
ASSEMBLY	7
OPERATION	8
MAINTENANCE	9
TROUBLE SHOOTING CHART	13

MURRAY, INC.

TWO YEAR LIMITED WARRANTY

Murray, Inc. warrants to the original purchaser that this unit shall be free from defects in material and workmanship under normal use and service for a period of **Two (2) Years** from the date of purchase; however, this warranty does not cover engines, accessories (such as snow blowers, snow blades, grass baggers and ploughs), transmissions, batteries and Normal Wear Parts (except as noted below) or transaxles as the companies that manufacture these items furnish their own warranties and provide service through their authorized field service facilities. For additional information, see the warranties covering these particular parts. If you are uncertain whether your unit contains or is equipped with one or more of these parts, consult your dealer prior to purchase. Subject to the terms and conditions noted in this Limited Warranty, we shall, at our option, repair or replace at no cost to the original purchaser any part covered by this Limited Warranty during the

applicable warranty period. In the event the battery proves defective within ninety (90) days from the date of purchase, we will replace it without charge. If the battery proves defective after (90) days but within one hundred twenty (120) days from the date of purchase, we will replace it for a charge of one half (1/2) of the retail price of the battery in effect at the time of return.

Normal Wear Parts are defined as belts, blades, blade adapters, pneumatic tyres, headlights and seat covers. These parts are warranted to be free from defects in material and workmanship as delivered with the product. Any claim for repair or replacement of Normal Wear Parts must be made within thirty (30) days of the date of purchase. No claims involving damage caused from material use, abuse or misuse will be honoured.

This **Murray, Inc. Two (2) Year Limited Warranty** is your exclusive remedy; however, this warranty is void or does not apply to any unit that has been tampered with, altered, misused, abused or used for rental or other commercial and/or professional (non-homeowner) uses. Your warranty does not cover minor mechanical adjustments which are not due to any defect in material or workmanship. For assistance in making such adjustments, consult your Instruction Book. To make a claim under this **Murray, Inc. Two (2) Year Limited Warranty**, return the unit (or if authorized in advance, the defective part) along with your proof of purchase to an Authorized Service Centre near you. To locate the nearest

Authorized Service Centre, call the Central Parts Distributor for your area shown in the list provided with your unit or check the Yellow Page listings in your local telephone directory. If you return the entire unit, we will repair the unit. If we authorize the return of the defective part only, we will either replace or repair the part. In the case of a defect in a transmission or differential (as distinguished from a transaxle), the entire transmission or differential must be returned since they do not include user serviceable parts.

This **Murray, Inc. Two (2) Year Limited Warranty** gives you specific legal rights, and you may also have other rights which vary from state to state. **This Limited Warranty is given in lieu of all other expressed and implied warranties including the implied warranty of merchantability and warranty of fitness for a particular purpose.** If you need additional information on this written warranty or assistance in obtaining service, write:

HAYTER LIMITED,
Service Department,
Spellbrook,
Bishop's Stortford,
Hertfordshire. CM23 4BU.

MURRAY, INC.
International Sales
P.O. Box 268
Brentwood, Tennessee USA 37024
1-800-251-8007
Fax (615) 373-6633

INTERNATIONAL PICTORIALS

IMPORTANT: The following pictorials are located on your unit or on literature supplied with the product. Before you operate the unit, learn and understand the purpose for each pictorial.

NOTE: Illustrations and pictorials begin on page 2.


Safety Warning Pictorials (Figure 23)

- 1 WARNING
- 2 IMPORTANT: Read Owner's Manual Before Operating This Machine.
- 3 WARNING: Thrown Objects. Keep Bystanders Away. Read User Instructions Before Operating This Machine.
- 4 WARNING: Do Not Use This Machine On Slopes Greater Than 10 Degrees.

- 5 DANGER: Keep People, Especially Children, Away From Unit.
- 6 DANGER: No Step.
- 7 DANGER: Keep Feet And Hands Away From Rotating Blade.
- 8 Declared airborne sound power level of 100 dB(A) is in accordance with Directive 2000/14/EC.
- 9 DANGER: Disconnect Spark Plug Wire Before Servicing Unit.
- 10 WARNING: Hot Surface.
- 11 WARNING: Use Caution When Connecting Or Disconnecting Accessories.
- 12 WARNING: Crushed Fingers.
- 13 IMPORTANT: Follow Instructions In Owner's Manual To Level The Deck.
- 14 WARNING: Stay Clear Of Mower Blade As Long As Engine Is Running.

Control And Operating Pictorials (Figure 24)

- 1 Engine Start
- 2 Lights
- 3 Engine Run
- 4 Engine Stop
- 5 Engine Run
- 6 Brake
- 7 Parking Brake
- 8 Clutch
- 9 Slow
- 10 Fast
- 11 Choke
- 12 Oil
- 13 Blade Rotation Control
- 14 Raise
- 15 Fuel



MODEL NO.: 425607x52A

SKU No.:

YYYY MM DD: _____

SERIAL NO.:

2750 min-1

196 kg

CE

Assembled in Lawrenceburg, TN 38464, U.S.A.

Declared vibration emission values in accordance with Directive 98/37/EC.
Vibration Emission according to BS EN 1032: Seat < 0.5 m/s²,
Right Running Board 1,05 m/s², Left Running Board 1,69 m/s²
Vibration Emission according to BS EN 1033: Steering Wheel 0,95 m/s²
Values determined with operator in operating position when the machine was operated stationary on a concrete surface at 2750 min-1.

Declared airborne sound power level of 100 dB(A) is in accordance with Directive 2000/14/EC.

Sound Pressure Level at operator position 83 dB.
Values determined at ear according to the specifications of EN 836/A2:2001.

OWNER'S INFORMATION

Know your product: If you understand the unit and how the unit operates, you will get the best performance. As you read this manual, compare the illustrations to the unit. Learn the location and the function of the controls. To help prevent an accident, follow the operating instructions and the safety rules. Keep this manual for future reference.



WARNING: Look for this symbol to indicate important safety precautions. This symbol indicates: "Attention! Become Alert! Your Safety Is At Risk."

Responsibility Of The Owner



WARNING: This cutting machine is capable of amputating hands and feet and throwing objects. Failure to observe the following safety instructions could result in serious injury or death to the operator or bystanders.

The responsibility of the owner is to follow the instructions below.

SAFE OPERATION PRACTICES

For Ride-On (Riding) Rotary Mower Machines

Training

1. Read the instructions carefully. Be familiar with the controls and the proper use of the equipment.
2. Never allow children or people unfamiliar with these instructions to use the mower. Local regulations may restrict the age of the operator.
3. Never mow while people, especially children, or pets are nearby.
4. Keep in mind that the operator or user is responsible for accidents or hazards occurring to other people or their property.
5. Do not carry passengers.
6. All drivers should seek and obtain professional and practical instruction. Such instruction should emphasize:
 - a. the need for care and concentration when working with ride-on machines;
 - b. control of a ride-on machine sliding on a slope will not be regained by the application of the brake. The main reasons for loss of control are:
 - insufficient wheel grip;
 - being driven too fast;
 - inadequate braking
 - the type of machine is unsuitable for its task;
 - lack of awareness of the effect of ground conditions, especially slopes;
 - incorrect hitching and load distribution.

Preparation

1. While mowing, always wear substantial footwear and long trousers. Do not operate the equipment when barefoot or wearing open sandals.

2. Thoroughly inspect the area where the equipment is to be used and remove all objects which may be thrown by the machine.
3. **WARNING - Petrol is highly flammable.**
 - a. Store fuel in containers specifically designed for this purpose.
 - b. Refuel outdoors only and do not smoke while refuelling.
 - c. Add fuel before starting the engine. Never remove the cap of the fuel tank or add petrol while the engine is running or when the engine is hot.
 - d. If petrol is spilled, do not attempt to start the engine but move the machine away from the area of spillage and avoid creating any source of ignition until petrol vapours have dissipated.
 - e. Replace all fuel tanks and container caps securely.
4. Replace faulty silencers.
5. Before using, always visually inspect to see that the blades, blade bolts and cutter assembly are not worn or damaged. Replace worn or damaged blades and bolts in sets to preserve balance.
6. On multi-blade machines, take care as rotating one blade can cause other blades to rotate.

Operation

1. Do not operate the engine in a confined space where dangerous carbon monoxide fumes can collect.
2. Mow only in daylight or in good artificial light.
3. Before attempting to start the engine, disengage all blade attachment clutches and shift into neutral.
4. Do not use on slopes of more than 10 degrees.
5. Remember there is no such thing as a "safe" slope. Travel on grass slopes requires particular care. To guard against overturning:
 - a. do not stop or start suddenly when going up or downhill;
 - b. engage clutch slowly, always keep machine in gear, especially when travelling downhill;
 - c. machine speeds should be kept low on slopes and during tight turns;
 - d. stay alert for humps and hollows and other hidden hazards;
 - e. never mow across the face of the slope, unless the mower is designed for this purpose.
6. Use care when pulling loads or using heavy equipment.
 - a. Use only approved drawbar hitch points.
 - b. Limit loads to those you can safely control.
 - c. Do not turn sharply. Use care when reversing.
 - d. Use counterweight(s) or wheel weights when suggested in the Instruction Book.
7. Watch out for traffic when crossing or near roadways.
8. Stop the blades rotating before crossing surfaces other than grass.
9. When using any attachments, never direct discharge of material toward bystanders nor allow anyone near the machine while in operation.
10. Never operate the mower with defective guards or shields, or without safety protective devices in place.
11. Do not change the engine governor settings or overspeed the engine. Operating an engine at excessive speed may increase the hazard of personal injury.
12. Before leaving the operator's position
 - a. disengage the power take-off and lower the attachments;
 - b. change into neutral and set the parking brake;
 - c. stop the engine and remove the key.
13. Disengage drive to attachments, stop the engine, and disconnect the spark plug wire(s) or remove the ignition key
 - a. before cleaning blockages or unclogging chute;
 - b. before checking, cleaning or working on the mower;
 - c. after striking a foreign object. Inspect the mower for damage and make repairs before restarting and operating the equipment;
 - d. if the machine starts to vibrate abnormally (check immediately).
14. Disengage drive to attachments when transporting or not in use.
15. Stop the engine and disengage drive to attachment
 - a. before refuelling;
 - b. before removing the grass catcher;
 - c. before making height adjustment unless adjustment can be made from the operator's position.
16. Reduce the throttle setting during engine run-out and, if the engine is provided with a shut-off valve, turn the fuel off at the conclusion of mowing.
17. Before and when backing, look **behind and down** for small children.
18. Use extra care when approaching blind corners, shrubs, trees or other objects that may obscure vision.

Maintenance and Storage

1. On multi-blade machines, take care as rotating one blade can cause other blades to rotate.
2. When machine is to be parked, stored or left unattended, lower the cutting means unless a positive mechanical lock is used.
3. Keep all nuts, bolts, and screws tight to be sure the equipment is in safe working condition.
4. Never store the equipment with petrol in the tank inside a building where fumes may reach an open flame or spark.
5. Allow the engine to cool before storing in any enclosure.
6. To reduce the fire hazard, keep the engine, silencer, battery compartment and petrol storage area free of grass, leaves, or excessive grease.
7. Check the grass catcher frequently for wear or deterioration.
8. Replace worn or damaged parts for safety.
9. If the fuel tank has to be drained, this should be done outdoors.

ASSEMBLY

All fasteners are in the parts bag. Do not discard any parts or material until the unit is assembled.

WARNING: Before doing any assembly or maintenance to the mower, remove the wire from the spark plug.

NOTE: In this instruction book, left and right describe the location of a part with the operator on the seat.

NOTE: Illustrations and pictorials begin on page 2.

NOTE: To assemble the following loose parts, use the fasteners shown at full size in Figure 25.

How To Install The Front Wheels (Figure 1)

Use a knife and cut the four sides of the container. Install the front wheels (1) in the container.

NOTE: Use a piece of wood about 4 feet (1.25 meters) long to raise the front of the tractor. If a piece of wood cannot be found, get another person to help lift the tractor. Be careful, do not let the tractor fall.

1. Raise the front of the tractor. Set a support (block of wood) under the tractor.
2. Make sure the valve stem (2) is to the outside of the tractor. Slide the front wheel (1) on the spindle (3).
3. Fasten each front wheel (1) with washer (4) and cotter pin (5). Bend the ends of the cotter pin (5) apart to keep the front wheel (1) on the spindle (3).
4. After the front wheels (1) are installed, lift the tractor from the support. Roll the tractor off of the container.
5. If your tractor has hub caps (6), install the hub caps (6). Make sure the washers (4) hold the hub caps (6) in place.

How To Assemble The Mower Housing (Figure 22)

1. Move the blade rotation control (1) to the DISENGAGE position.
2. Move the lift lever (2) to the level adjustment position.

WARNING: The lift lever is spring loaded. Make sure the lift lever is locked in the LEVEL ADJUSTMENT position.

3. Attach the front hanger (9) to the deck with the fasteners. See illustration "H".
4. Push the mower housing under the right side of the unit.
5. Put the mower drive belt (7) around the stack pulley (8). See illustration "G".

NOTE: Make sure the "V" side of the mower drive belt is against the stack pulley. Also, make sure the mower drive belt is not twisted.

6. Attach the front hanger (9) to the axle support. See illustration "F".
7. Make sure the mower drive belt (7) is between the stack pulley (8) and the two belt guides (10). See illustration "G".
8. Attach the suspension links (4) to the lifter assembly. Fasten with the hair pins and washers. See illustrations "A" and "B".

F-050744L

9. Attach the right and left adjuster arms (3) to the suspension brackets. Fasten with the hair pins and the washers. See illustrations "C" and "D".
10. Attach the extension spring (5) to the blade control rod (6). See illustration "E".
11. Move the blade rotation control to the EN-GAGE position. Make sure the mower drive belt is inside all the belt guides.
12. Make sure the mower housing is level. See the instructions on "How To Level The Mower Housing".
13. (Figure NO TAG) Attach the gauge wheels (12) to the axle bolts (11) with the fasteners. See illustration "I".
14. Check the operation of the blade rotation control. See the instructions on "How To Adjust The Blade Rotation Control".

How To Install The Seat (Figure 2)

1. Carefully remove the plastic bag from the seat (1).
2. Align the holes in the seat hinge (2) to the holes in the seat (1). Fasten the seat (1) to the seat hinge (2) with the fasteners (4) and (5).
3. Check the operating position of the seat (1). If the seat (1) needs to be adjusted, loosen the two wing bolts (5). Slide the seat (1) forward or backward along the seat adjusting holes (3). Tighten the wing bolts (5).

How To Assemble The Steering Wheel (Figure 3)

1. Make sure the front wheels point forward.
2. Slide the cover (3) over the steering post (2). Make sure the collar of the cover (3) is on top.
3. Slide the steering wheel (1) onto the steering post (2).
4. Attach the steering wheel (1) to the steering post (2) with screw (4) and washer (6).
5. Some models have an optional insert (7) in the parts bag. Attach the insert (7) to the centre of the steering wheel (1).

Maintenance Free Battery (Figure 4)

IMPORTANT: Before you attach the battery cables to the battery, check the battery date. The battery date tells if the battery must be charged.

1. Check the top and the side of the battery (1) for the location of the battery date.
2. If the battery (1) is put into service before the , the battery cables can be attached without charging the battery (1). See "How To Install The Battery Cables".
3. If the battery (1) is put into service after the , the battery (1) must be charged. See "How To Charge The Maintenance Free Battery".

How To Charge The Battery (Figure 4)

WARNING: When you charge the battery, do not smoke. Keep the battery away from any sparks. The fumes from the battery acid can cause an explosion.

1. Remove the battery (1) and battery tray (3).
2. Remove the protective cap from the battery terminal.

3. Use a 12 volt battery charger to charge the battery (1). Charge at a rate of 6 amperes for one hour. If you do not have a battery charger, have an authorized service centre charge the battery.
4. Install the battery (1) and battery tray (3). Make sure the positive (+) terminal (4) is on the left side.

How To Install The Battery Cables (Figure 4)

WARNING: To prevent sparks, fasten the red cable to the positive (+) terminal before you connect the black cable.

1. Remove the protective cap from the battery terminal.
2. Slide the terminal cover (2) onto the red cable (5). Fasten the red cable (5) to the positive (+) terminal (4) with the fasteners (6) and (7).
3. Fasten the black cable (8) to the negative (-) terminal with the fasteners (6) and (7).

Check The Tyres

Check the air pressure in the tyres. Tyres with too much air pressure will cause the unit to ride rough. Also, the wrong air pressure will keep the mower housing from cutting level. The correct air pressure is: Front Tyres 0,97 BAR (14 PSI), Rear Tyres 0,69 BAR (10 PSI). The tyres were over inflated for shipment.

Check The Level Of The Mower Housing

Make sure the level of cut is still correct. After you mow a short distance, look at the area that was cut. If the mower housing does not cut level, see the instructions on "How To Level The Mower Housing" in the Maintenance section of this instruction book.

How To Prepare The Engine

NOTE: The engine was shipped from the factory filled with oil. Check the level of the oil. Add oil as needed.

See the engine manufacturer's instructions for the type of petrol and oil to use. Before you use the unit, read the information on safety, operation, maintenance, and storage.

WARNING: Follow the engine manufacturer's instructions for the type of petrol and oil to use. Always use a safety petrol container. Do not smoke when adding petrol to the engine. When inside an enclosure, do not fill with petrol. Before you add petrol, stop the engine. Let the engine cool for several minutes.

NOTE: Actual sustained horsepower will likely be lower due to operating limitations and environmental factors.

Important! Before You Start Mowing

- Check the engine oil.
- Fill the fuel tank with petrol.
- Check the air pressure of the tyres.
- Check the level of the mower housing.
- Attach the battery cables.

OPERATION

NOTE: Illustrations and pictorials begin on page 2.

Location Of Controls (Figure 5)

Blade Rotation Control (1): Use the blade rotation control to start and stop the rotation of the blade.

Brake Pedal (2): Use the brake pedal to quickly stop.

Headlight Switch (3): The headlight switch is the first part of the ignition switch. To use the lights with the engine running, turn the key to the position for the lights.

Ignition Switch (3): Use the ignition switch to start and stop the engine.

Speed Control Pedal (4): Use the speed control pedal to change the speed and the direction of the unit.

Lift Lever (5): Use the lift lever to change the height of cut.

Parking Brake Lever (6): Use the parking brake lever to engage the brake when you leave the unit.

Throttle Control Lever (7): Use the throttle control lever to increase or decrease the speed of the engine.

Automatic Drive Disconnect (8): use the automatic drive disconnect, located under the seat, to disengage the transmission.

Attachments

This unit can use many different attachments. This unit can pull attachments like a lawn sweeper, a lawn aerator, or a hopper spreader. This unit can not use attachments that engage the ground like a plough, a disk harrow, or a cultivator.

For trailer and pull-behind attachments, the maximum weight is 113 kg (250 lbs.).

How To Use The Throttle Control (Figure 5)

Use the **throttle control (7)** to increase or decrease the speed of the engine.

1. The FAST position is marked with a detent. For normal operation and when using a grass bagger, move the throttle control to the FAST position. For maximum charging of the battery and for a cooler running engine, operate the engine in the FAST position.
2. The engine governor is set at the factory for maximum performance. Do not adjust the governor to increase the speed of the engine.

How To Use The Blade Rotation Control (Figure 5)

Use the **blade rotation control (1)** to engage the blade(s).

1. Before you start the engine, make sure the **blade rotation control (1)** is in the DISENGAGE position.
2. Move the **blade rotation control (1)** to the ENGAGE position to rotate the blade(s).

F-050744L

NOTE: If the engine stops when you engage the blade(s), the seat switch is not activated. Make sure you sit in the middle of the seat.

3. Move the **blade rotation control (1)** to the DISENGAGE position to stop the blade(s). Before you leave the operator's position, make sure the blade(s) has stopped rotating.
4. Before you ride the unit across a sidewalk or a road, move the **blade rotation control (1)** to the DISENGAGE position.



WARNING: Always keep your hands and feet away from the blade, deflector opening, and the mower housing when the engine runs.

How To Use The Speed Control Pedal (Figure 5)

The drive system uses a Hydrostatic Automatic Drive transmission. The Hydrostatic transmission is very easy to operate. This type of drive system does not require a shift lever or a clutch pedal.

The speed and direction of travel is controlled by a single **speed control pedal (4)** operated with your right foot. Do not use the left brake pedal in normal operation. Only use the left brake pedal to quickly stop in an emergency.

How To Drive Forward

1. (Figure 20) The **automatic drive disconnect (1)** must be in the **DRIVE position (2)**.
2. Slowly release your left foot from the brake pedal.
3. Move the throttle control to the FAST position.
4. (Figure 19) Slowly push the **speed control pedal (1) forward (4)** to the desired speed.
5. To increase forward speed, slowly move the **speed control pedal (1)** forward. To reduce forward speed, slowly release the **speed control pedal (1)** until the unit slows to the desired speed.

How To Drive In Reverse

1. Look to the rear.
2. Slowly push the **speed control pedal (1)** to the **REVERSE position (2)**.

How To Change Directions

CAUTION: To change directions, do not use the left brake pedal. Use only the **speed control pedal**.

1. Slowly remove your foot from the **speed control pedal (1)**. The **speed control pedal (1)** will automatically return to the **NEUTRAL position (3)**.
2. When the unit stops, slowly move the **speed control pedal (1)** to the desired direction.

How To Disconnect The Transmission (Figure 20)

To push the unit, use the **automatic drive disconnect (1)** to release the transmission. The **automatic drive disconnect (1)** is under the seat.

1. The engine must be off.
2. Raise the seat. The **automatic drive disconnect (1)** is under the seat.

3. Move and latch the **automatic drive disconnect (1)** in the **PUSH position (3)**. The transmission is now released and the unit can be pushed.

NOTE: In cold weather, the heavy viscosity oil in the transmission will make the unit difficult to push.

4. To engage the transmission, unlatch the **automatic drive disconnect (1)**. The transmission is now *connected* and ready to operate.

How To Use The Parking Brake (Figure 5)

1. Completely push the **brake pedal (2)** forward.
2. Lift the **parking brake lever (6)**.
3. Remove your foot from the **brake pedal (2)** and then release the **parking brake lever (6)**. Make sure the parking brake will hold the unit.
4. To release the **parking brake (6)**, completely push the **brake pedal (2)** forward. The parking brake will automatically release.



WARNING: Before you leave the operator's position, set the parking brake. Move the **blade rotation control** to the **DISENGAGE position**. Stop the engine and remove the ignition key.

How To Change The Cutting Height (Figure 5)

To change the cutting height, raise or lower the **lift lever (5)** as follows.

1. Move the **lift lever (5)** forward to lower the mower housing and back to raise the mower housing.
2. When you ride on a sidewalk or road, move the **lift lever (5)** to the highest position and move the **blade rotation control** to the **DISENGAGE position**.

How To Stop The Unit (Figure 5)

1. Slowly remove your foot from the **speed control pedal (4)**. The speed control pedal (1) will automatically return to the **NEUTRAL position** and the unit will stop.
 2. Move the **blade rotation control (1)** to the **DISENGAGE position**.
 3. Set the **parking brake (6)**.
- WARNING:** Make sure the parking brake will hold the unit.
4. Move the **throttle control (7)** to the **SLOW position**.
 5. To stop the engine, turn the **ignition key (3)** to the **OFF position**. Remove the key.

How To Transport The Unit

To transport the unit, follow the steps below.

1. Move the blade rotation control to the **DISENGAGE position**.
2. Raise the lift lever to the highest position.
3. Move the throttle control to a position between **SLOW** and **FAST**.

- Slowly push the speed control pedal forward to the desired speed.

How To Operate With The Mower Housing

IMPORTANT: When you operate with the mower housing, always operate with the throttle control in the FAST position.

- Start the engine.
- Move the lift lever to a height of cut position. In high or thick grass, cut the grass in the highest position first and then lower the mower housing to a lower position.
- Move the throttle control to the SLOW position.
- Slowly move the blade rotation control to the ENGAGE position.
- Move the throttle control to the FAST position.
- Slowly push the speed control pedal to the desired speed.

NOTE: When you mow in heavy grass or mow with a bagger, use a slow forward speed.

- Make sure the level of cut is still correct. After you mow a short distance, look at the area that was cut. If the mower housing does not cut level, see the instructions on "How To Level The Mower Housing" in the Maintenance section.



WARNING: For better control of the unit, select a safe speed.

How To Operate On Hills



WARNING: Do not ride up or down slopes that are too steep to back straight up. Never ride the unit across a slope.

- Control the speed only with the speed control pedal. Do not use the brake pedal on a hill.
- To help prevent an accident, slowly move the speed control pedal. Avoid sudden turns or changes in speed.
- To reduce forward speed when going down a hill, slowly release the speed control pedal until the unit slows to the desired speed.

How To Stop On a Hill

- Avoid stopping on a hill. If you must quickly stop in an emergency, remove your right foot from the speed control pedal and quickly depress the left brake pedal.
- Set the parking brake.
- Before you dismount from the seat, move the throttle control to the SLOW position, move the blade rotation control to the DISENGAGED position, turn off the engine and set the parking brake.

How To Start Operation On A Hill

- Start the engine
- Move the blade rotation control to the ENGAGED position.

F-050744L

- Move the throttle control to the FAST position.
- Depress the brake pedal and release the parking brake. As you release the parking brake, push the speed control pedal to the desired speed.



Slowly push the speed control pedal as you release the parking brake. The parking brake must be disengaged before the speed control pedal is able to engage the transmission.

Before Starting The Engine

Check the oil

NOTE: The engine was shipped from the factory filled with oil. Check the level of the oil. Add oil as needed. See the engine manufacturer's instructions for the type of petrol and oil to use.

- Make sure the unit is level.
 - NOTE:** Do not check the level of the oil while the engine runs.
- Check the oil. Follow the procedure in the engine manufacturer's instructions.
- If necessary, add oil until the oil reaches the FULL mark on the dipstick. The quantity of oil needed from ADD to FULL is shown on the dipstick. Do not add too much oil.

Add Petrol



WARNING: Always use a safety petrol container. Do not smoke when adding petrol to the fuel tank. Do not add petrol when you are inside an enclosure. Before you add petrol, stop the engine and let the engine cool for several minutes.

(Figure 6) Fill the fuel tank (1) to the FULL (2) position with regular unleaded petrol. Do not use premium unleaded petrol. Make sure the petrol is fresh and clean. Leaded petrol will increase deposits and shorten the life of the valves.

How To Start The Engine



WARNING: The electrical system has an operator presence system that includes a sensor switch for the seat. These components tell the electrical system if the operator is sitting on the seat. This system will stop the engine when the operator leaves the seat. For your protection, always make sure this system operates correctly.

NOTE: The engine will not start unless you depress the clutch/brake pedal and move the blade rotation control to the DISENGAGE position.

- Push the brake pedal completely forward. Keep your foot on the pedal.
- Make sure the blade rotation control is in the DISENGAGE position.
- Move the throttle control completely forward to the CHOKE or FAST position. Some models have a separate choke knob. Pull the choke knob to the full CHOKE position.
- Turn the ignition key to the START position.

NOTE: If the engine does not start after four or five tries, move the throttle control to the FAST position. Again try to start the engine. If the engine will not start, see the TROUBLE SHOOTING CHART.

- Slowly move the throttle control to the SLOW position.
- To start a hot engine, move the throttle control to a position between FAST and SLOW.

Mowing And Bagging Tips

- For a lawn to look better, check the cutting level of the mower housing. See "How To Level The Mower Housing" in the Maintenance section.
- For the mower housing to cut level, make sure the tyres have the correct amount of air pressure.
- Every time you use the unit, check the blade. If the blade is bent or damaged, immediately replace the blade. Also, make sure the nut for the blade is tight.
- Keep the blade(s) sharpened. Worn blades will cause the ends of the grass to turn brown.
- Do not cut or bag grass that is wet. Wet grass will not discharge correctly. Let the grass dry before cutting.
- Use the left side of the mower housing to trim near an object.
- Discharge the cut grass onto the mowed area. The result is a more even discharge of cut grass.
- When you mow large areas, start by turning to the right so that the cut grass will discharge away from shrubs, fences, driveways, etc. After one or two rounds, mow in the opposite direction making left turns until finished.
- If the grass is very high, cut two times to decrease the load on the engine. First cut with the mower housing in the highest position and then lower the mower housing for the second cut.
- For better engine performance and an even discharge of the cut grass, always operate the engine with the throttle in FAST position.
- When you use a bagger, operate the engine with the throttle in FAST position and the speed control pedal pushed 1/3 to 1/2 forward..
- After each use, clean the bottom and top of the mower housing for better performance. Also, a clean mower housing will help prevent a fire.

MAINTENANCE

NOTE: Illustrations and pictorials begin on page 2.

General Recommendations

- The owner's responsibility is to maintain this product. This will extend the life of the product and is also necessary to maintain warranty coverage.
- Check the spark plug, drive brake, lubricate the unit, and clean the air filter once a year.
- Check the fasteners. Make sure all fasteners are tight.

- Follow the Maintenance section to keep the unit in good operating condition.



WARNING: Before you make an inspection, adjustment, or repair to the unit, disconnect the wire to the spark plug. Remove the wire from the spark plug to prevent the engine from starting by accident.

NOTE: Torque is measured in foot pounds (metric Nm). This measurement describes how tight a nut or bolt must be. The torque is measured with a torque wrench.

Inspect Blade (Figure 7)



WARNING: Before you inspect or remove the blade, disconnect the wire to the spark plug. If the blade hits an object, stop the engine. Check the unit for damage. The blade has sharp edges. When you hold the blade, use gloves or cloth material to protect your hands.

If you keep the **blade (1)** sharp and inspect the blade for damage, the blade will cut better and be more safe to operate. Frequently check the blade for excessive wear, cracks, or other damage. Frequently check the **nut (3)** that holds the **blade (1)**. Keep the **nut (3)** tight. If the blade hits an object, stop the engine. Disconnect the wire to the spark plug. See if the blade is bent or damaged. Check the **blade adapter (5)** for damage. Before you operate the unit, replace damaged parts with original equipment parts. See the authorized service centre in your area. Every three years, have an authorized service person inspect the blade or replace the old blade with an original equipment part.

How To Remove And Install The Blade (Figure 7)

- Remove the mower housing. See the instructions on "How To Remove The Mower Housing".
- Use a piece of wood to keep the blade from rotating.
- Remove the **nut (3)** that holds the **blade (1)**.
- Check the **blade (1)** and the **blade adapter (5)** according to the instructions for "Inspect Blade". Replace a badly worn or damaged **blade** with an original equipment blade. See an authorized service centre in your area.
- Clean the top and bottom of the mower housing. Remove all the grass and debris.
- Mount the **blade (1)** and **blade adapter (5)** on the **mandrel (6)**.
- Mount the **blade (1)** so that the **hi-lift edges (7)** are up. If the **blade** is upside down, the **blade** will not cut correctly and can cause an accident.
- Fasten the **blade (1)** with the original washers and **nut (3)**. Make sure the outside rim of the **Belleville washer (2)** is against the **blade (1)**.

F-050744L



WARNING: Always keep the **nut (3)** tight that holds the **blade (1)**. A loose nut or blade can cause an accident.

- Tighten the **nut (3)** that holds the **blade (1)** to a torque of 30 foot pounds (41,5 Nm).
- Install the mower housing. See "How To Remove The Mower Housing".

How To Adjust The Blade Rotation Control



WARNING: To prevent an injury, the blade rotation control must operate correctly.

In normal usage, the blade rotation control will not require an adjustment. However, if the cutting performance decreases or the quality of cut is poor, make the following changes.

- When you mow, make sure the throttle control is in the **FAST** position.
- (Figure 8) Move the blade rotation control to the **DISENGAGE** position (1).
- Stop the engine. Disconnect the wire from the spark plug.
- Check the blade(s). Keep a sharp edge on the blade(s). A blade that is not sharp will cause the tips of the grass to become brown.
- (Figure 9) Disconnect the **blade drive spring (2)** from the **blade control rod (1)**. Move the **blade drive spring (2)** to the **middle hole (4)**. This will increase the tension on the mower drive belt.
- Attach the wire to the spark plug. Mow for a short distance and again check the quality of cut. If necessary, move the **blade drive spring (2)** to the **bottom hole (5)**.
- Again check the quality of cut. If the quality of cut has not improved, replace the mower drive belt. See "How To Replace The Mower Drive Belt". If the replacing the belt does not correct the problem, take the unit to an authorized service centre.
- Move the blade rotation control to the **DIS-ENGAGE** position. Stop the engine.
- (Figure 10) Check the operation of the blade brake. Rotate the pulleys with your hand. Make sure the **brake pads (1)** are pressed tightly against the pulleys



WARNING: If the **brake pads (1)** do not press tightly against the pulleys, take the unit to an authorized service centre.

- (Figure 8) Move the blade rotation control to the **ENGAGE** position (2).
- (Figure 10) Check the pads for the **blade brake (7)**. If the pads are excessively worn or damaged, replace the brake pad assemblies. Correct replacement parts and assistance are available from an authorized service centre.
- Attach the wire to the spark plug. Mow for a short distance and again check the operation of the blade rotation control.
- When you move the blade rotation control to the **DISENGAGE** position, all movement will stop within five seconds. If there is movement of the belt or the blades continue to rotate, engage and disengage the blade

rotation control five times to remove any excess rubber from a new mower drive belt. If you need assistance, take the unit to an authorized service centre.

- (Figure 9) If you replace the mower drive belt, move the **blade drive spring (2)** to the **top hole (3)**.

How To Check And Adjust The Motion Drive Belt (Figure 18 and Figure 21)

If the motion drive belt is loose, the belt will slip when; going up a hill, pulling a heavy load, or the unit will not move forward.

IMPORTANT: Always operate with the engine speed in the **FAST** position. If the engine speed is in a slow or moderate position, the engine and transmission can become too hot and cause problems that are similar to a loose motion drive belt.



WARNING: Before you make an inspection, adjustment, or repair to the unit, disconnect the wire to the spark plug. Remove the wire from the spark plug to prevent the engine from starting by accident.

- (Figure 21) Check the routing of the **motion drive belt (6)**. Make sure the **motion drive belt (6)** is installed correctly and is inside all the **belt guides (7)**.
- (Figure 18) Disconnect the **clutch link (1)** from the **idler arm (2)**.
- (Figure 21) Align the hole in the **brake lever (3)** with the hole in the frame. Hold the **brake lever (3)** in place with a **1/4 inch (6 mm) pin or bolt (4)**.
- (Figure 18) Rotate the **clutch link (1)** until the **mounting hole (5)** in the **clutch link (1)** is aligned with the **mounting hole (5)** in the **idler arm (2)**.
- Connect the **clutch link (1)** to the **idler arm (2)**.
- (Figure 21) Remove the **1/4 inch (6 mm) pin or bolt (4)**.
- If the belt still slips after the belt has been adjusted, then the motion drive belt is worn or damaged and must be replaced. See "How To Replace The Motion Drive Belt".


How To Check And Adjust The Drive Brake (Figure 12 and 20)

(Figure 20) Set the parking brake. Move the **automatic drive disconnect (1)** to the **PUSH** position (3). Push the unit. If the rear wheels rotate, adjust or replace the brake pads.

Adjust the **drive brake (4)** as follows:


- (Figure 12) The location of the **drive brake (4)** is on the right side of the **gearbox (5)**.
- (Figure 20) Make sure the parking brake is set and the **automatic drive disconnect (1)** is in the **PUSH** position (3).
- (Figure 12) Turn the **hex nut (6)** in a clockwise direction until the rear wheels do not turn when the unit is pushed forward.
- Release the parking brake and push the unit. If the unit does not roll, turn the **hex nut (6)** in a counter-clockwise direction until the unit rolls.
- Set the parking brake. Push the unit. If the rear wheels do not turn, the **drive brake (4)**


is correctly adjusted. Release the parking brake.

 **WARNING:** If you cannot correctly adjust the drive brake, replace the brake pads. Correct replacement parts and assistance are available from an authorized service centre.

How To Remove The Battery (Figure 4)


To charge or clean the battery (1), remove the battery (1) from the unit as follows.

 **WARNING:** To prevent sparks, disconnect the black battery cable (8) from the negative (-) terminal before you disconnect the red cable (5).


 **WARNING:** The battery contains sulphuric acid which is harmful to the skin, eyes and clothing. If the acid gets on the body or clothing, wash with water.

1. Disconnect the black cable (8) from the negative (-) terminal.
2. Disconnect the red cable (5) from the positive (+) terminal (4).
3. Lift the battery tray (3) and the battery (1) out of the unit.

How To Charge The Battery (Figure 4)

 **WARNING:** When you charge the battery, do not smoke. Keep the battery away from any sparks. The fumes from the battery acid can cause an explosion.

1. Before you charge the battery (1), remove the battery (1).
2. To charge the battery (1), use a 12 volt battery charger. Charge at a rate of 6 amperes for 1 hour.
3. Install the battery (1).

 **WARNING:** To prevent sparks, fasten the red cable to the positive (+) terminal before you connect the black cable.


4. Fasten the red cable (5) to the positive (+) terminal (4) with the fasteners as shown.
5. Fasten the black cable (8) to the negative (-) terminal with the fasteners as shown.

How To Adjust The Gauge Wheels

The axle bolts for the gauge wheels were mounted in the LOW cut position. To change the position of the gauge wheels, move the axle bolts as follows.

IMPORTANT: Before you adjust the gauge wheels, you must do the following. Make sure the mower housing is level. Make sure the height of cut is set at the height you want for your lawn. Mow a short distance on a flat level area and look at the area that was cut. If the mower housing does not cut level, see the instructions "How To Level The Mower Housing."

F-050744L

 **WARNING:** Before you make an inspection, adjustment, or repair to the unit, disconnect the wire to the spark plug. Remove the spark plug wire to prevent the engine from starting by accident.

1. (Figure 22, illustration "I") Remove the gauge wheels (12) and axle bolts (11).
2. (Figure 13) Mow a short distance on a flat level area to check the level of cut and the height of cut. Look at the height of cut position number (3) on the lift lever (1).
3. (Figure 22, illustration "I") Look at each gauge wheel bracket (13). There are 3 holes in each bracket and a number next to each hole. The number for the height of cut position on the lift lever indicates the correct hole to use on each gauge wheel bracket (13).


NOTE: Wheel bracket hole number 1 is equal to lift lever position number 1, Wheel bracket hole number 2 is equal to lift lever position number 2, Wheel bracket hole number 3 is equal to lift lever position numbers 3,4,5,6.

4. Assemble the axle bolts (11) to the gauge wheel brackets (13) using the correct hole in the bracket as indicated.


NOTE: If the height of cut position is changed by the lift lever, you must move the gauge wheels to the correct hole to keep a level height of cut.

How To Level The Mower Housing (Figure 13 and Figure 14)

If the mower housing is level, the blade will cut easier and the lawn will look better.

 **WARNING:** Before you make an inspection, adjustment, or repair to the unit, disconnect the wire to the spark plug. Remove the spark plug wire to prevent the engine from starting by accident

1. Make sure the unit is on a hard flat surface.
2. Check the air pressure in the tyres. If the air pressure is incorrect, the mower housing will not cut level. Make sure the tyres are inflated to: Front Tyres 0,97 BAR (14 PSI), Rear Tyres 0,69 BAR (10 PSI).
3. If equipped, remove the gauge wheels.
4. (Figure 13) Move the lift lever (1) to the level adjustment position (2).

 **WARNING:** The lifter lever (1) is spring loaded. Make sure the lift lever (1) is locked in the level adjustment position (2).

5. (Figure 14) Loosen the left and right adjuster knobs (1). Push down on each side of the mower housing. Make sure both sides of the mower housing are setting on a flat surface. Also, make sure the lift links (2) are loose and can easily move up or down.
6. Push down on the lift links (2) and tighten the left and right adjuster knobs (1). If necessary, use a wrench to tighten the adjuster knobs (1)
7. (Figure 13) Raise the lift lever (1) from the level adjustment position (2) to a cutting height position.

8. If equipped, attach the gauge wheels.
9. Mow for a short distance. If the height of cut is not level, repeat the above steps.

Where To Lubricate (Figure 15)



Models with grease fittings:
Lubricate with grease gun.

Apply grease with a brush to the areas shown.

Lubricate the areas shown with engine oil.

NOTE: Apply grease to the steering gear assembly.

CAUTION: If the unit is operated in dry areas that have sand, use a dry graphite spray to lubricate the unit.

Check The Tyres

Check the air pressure in the tyres. Tyres with too much air pressure will cause the unit to ride rough. Also, the wrong air pressure will keep the mower housing from cutting level. The correct air pressure is: Front Tyres 0,97 BAR (14 PSI), Rear Tyres 0,69 BAR (10 PSI).

How To Replace The Motion Drive Belt


1. Remove the mower housing. See the instructions on "How To Remove The Mower Housing".
2. (Figure 16) Remove the mid-idler pulley (4).
3. Disconnect the idler spring (7).
4. Remove the idler pulley (8) and spacer (9).
5. Remove the V-idler pulley (5) and spacer (13).
6. Remove the motion drive belt (1) from the drive pulley (6).
7. (Figure 17) To remove the motion drive belt (1) from the stack pulley (2), pull the front end of the belt under the stack pulley (2) and then back between the stack pulley and the steering plate (3).
8. (Figure 11) Remove the access panel (10).
9. Remove the two screws (11) that attach the steering shaft assembly (12). Raise the steering wheel and steering shaft assembly (12). Pull the motion drive belt (1) under the steering shaft assembly (12).
10. Remove the motion drive belt (1). A correct replacement part or assistance is available from an Authorized Service Center in your area.
11. To install the motion drive belt, reverse the above steps.
12. (Figure 16) Check the routing of the motion drive belt (1). Make sure the motion drive belt is installed correctly on the idler pulleys.
13. Before you use the unit, check the adjustment of the clutch. See the instructions "How To Check And Adjust The Clutch".
14. Install the mower housing. See the instructions "How To Install The Mower Housing".

How To Replace The Mower Drive Belt (Figure 10)

1. Remove the mower housing. See the instructions on "How To Remove The Mower Housing".

2. Pull the **belt retainer (1)** away from the **idler pulley (2)** and remove the **mower drive belt (3)**.
3. Pull the **belt retainer (4)** away from the **right mandrel pulley (5)** and remove the **mower drive belt (3)**.
4. Pull the **belt retainer (4)** away from the **left mandrel pulley (6)** and remove the **mower drive belt (3)**. A correct replacement part or assistance is available from an Authorized Service Centre in your area.
5. To install the mower drive belt, reverse the above steps.

How To Remove The Mower Housing (Figure 22)

1. Move the **blade rotation control (1)** to the DISENGAGE position.
 2. Move the **lift lever (2)** to the level adjustment position.
-  **The lift lever is spring loaded. Make sure the lift lever is locked in the LEVEL ADJUSTMENT position.**
3. Remove the hair pins and the washers from the **adjuster arms (3)**. See illustrations "C" and "D".
 4. Remove the hair pins and washers from the **suspension links (4)**. See illustrations "A" and "B".
 5. Disconnect the **extension spring (5)** from the **blade control rod (6)**. See illustration "E".
 6. Disconnect the **front hanger (9)** from the axle support. See illustration "F".
 7. Remove the **mower drive belt (7)** from the **stack pulley (8)**.
 8. Pull the mower housing away from the right side of the unit.
 9. To install the mower housing, reverse the above steps.

How To Replace The Fuse

If the fuse is blown, the engine will not start. Remove the fuse and replace with a 15 amp. automotive fuse.

Storage (over 30 days)

At the end of each year, prepare the unit for storage as follows.

1. Drain the fuel from the carburettor and the fuel tank. Change the engine oil. See the engine manufacturer's instructions.
2. Clean the entire unit.
3. Charge the battery.

How To Order Replacement Parts

The replacement parts are shown either on the back pages of this Instruction Book or in a separate Parts List Book.

Use only manufacturer's authorized or approved replacement parts. The letter placed on the end of the part number denotes the type of finish for the part, C for chrome, Z for zinc, a PA for purchased assembly. It is important that you include this when ordering a part. Do not use attachments or accessories not specifically recommended for this unit. In order to obtain proper replacement parts you must supply the model number of your mower (see nameplate).

Replacement parts, except for the engine, transmission, transaxle or differential, are available from the store where the mower was purchased or a service shop recommended by the store.

If you are unable to obtain parts or service in the manner outlined above, then contact:

HAYTER LIMITED,
Service Department,
Spellbrook,
Bishop's Stortford,
Hertfordshire. CM23 4BU.

MURRAY, INC.
International Sales
P.O. Box 268
Brentwood, Tennessee USA 37024
1-800-251-8007
Fax (615) 373-6633 Collect telephone calls will not be accepted.

Replacement parts for the engine, transaxle, or transmission, are available from the manufacturer's authorized service centre found in the commercial pages of the telephone directory. Also, see the individual engine or transmission warranties to order replacement parts.

When ordering the following information is required:

- (1) The Model Number
- (2) Serial Number
- (3) Part Number
- (4) Quantity

TROUBLE SHOOTING CHART

PROBLEM: The engine will not start.

1. Follow the steps, "How To Start The Engine" in this book.
2. Electric-Start Models: Clean the battery terminals. Tighten the cables.
3. Check for a loose wire. Tighten the limit switches. (See the wiring diagram.)
4. Drain the fuel tank. Clean the fuel line. Replace the fuel filter.
5. Remove the spark plug(s). Move the throttle to the SLOW position. Turn the ignition key to the ON position. Try to start the engine several times. Install the spark plug.
6. Replace the spark plug.
7. Adjust the carburettor.

PROBLEM: The engine will not turn over.

1. Follow the steps, "How To Start The Engine" in this book.
2. Electric-Start Models: Charge the battery.
3. Replace the fuse.
4. Check the wiring harness for damage or a loose connection. Repair the damaged wire.
5. Electric-Start Models: replace the solenoid. Recoil-Start Models: replace the module.

PROBLEM: The engine is difficult to start.

1. Adjust the carburettor.
2. Replace the spark plug.
3. Replace the fuel filter.

PROBLEM: The engine does not run smooth or has a loss of power.

1. Check the oil.
2. Clean the air filter.
3. Clean the air screen.
4. Replace the spark plug.
5. The engine is working too hard. Use a lower gear.
6. Adjust the carburettor.
7. Replace the fuel filter.

PROBLEM: The engine does not run smooth at fast speed.

1. Replace the spark plug.

2. Adjust the throttle control.
3. Clean the air filter.
4. Replace the fuel filter.

PROBLEM: The engine stops when the blades are engaged.

1. Check the wiring harness for damage or a loose connection. Repair the damaged wire.
2. Grass bag must be installed (applies only to model with rear discharge grass bag).

PROBLEM: On slopes, the engine stops.

1. Mow up and down slopes. Never mow across a slope.

PROBLEM: The engine will not idle.

1. Replace the spark plug.
2. Clean the air filter.
3. Adjust the carburettor.
4. Adjust the throttle control.
5. Drain the fuel tank. Clean the fuel line. Replace the fuel filter.

PROBLEM: A hot engine causes a decrease in power.

1. Clean the air screen.
2. Check the oil.
3. Adjust the carburettor.
4. Replace the fuel filter.

PROBLEM: Excessive vibration.

1. Replace the blade.
2. Check for loose engine bolts.
3. Decrease the air pressure in the tyres.
4. Adjust the carburettor.
5. Check for a damaged belt or damaged pulley. Replace the damaged parts.

PROBLEM: The grass does not discharge correctly.

1. Stop the engine. Clean the mower housing.
2. Raise the height of cut.
3. Replace or sharpen the blade(s).
4. Move the shift lever to a slower speed.

5. Move the throttle control to the FAST position.
6. Replace the spring for the blade idler.
7. Clean the extension tube and the connector tube (applies only to model with rear discharge grass bag).

PROBLEM: The mower housing does not cut level.

1. Check the air pressure in the tyres.
2. Adjust the level of the mower housing.
3. Check the front axle. If the front axle does not freely pivot, loosen the axle bolt(s).

PROBLEM: The mower blades will not rotate.

1. Check the mower drive belt. Make sure the belt is installed correctly.
2. Replace the mower drive belt.

PROBLEM: The unit will not move when the brake is released and the speed control pedal is depressed.

1. Check the motion drive belt. Make sure the belt is installed correctly.
2. Adjust the clutch.
3. Replace the motion drive belt.
4. Release the Automatic Drive Disconnect under the seat.

PROBLEM: The unit moves slower or stops when the speed control pedal is depressed.

1. Adjust the clutch.
2. Replace the motion drive belt.

PROBLEM: When the brake pedal is released, belt noise can be heard.

1. Temporary belt noise does not change the operation of the unit. If belt noise is continuous, check the routing of the belt. Make sure the belt is inside all belt guides.
2. If the noise is continuous, adjust the clutch.

PROBLEM: The rear wheels spin over uneven terrain.

1. Check the front axle. If the front axle does not freely pivot, loosen the axle bolt(s).

TABLE DES MATIERES

PICTOGRAMMES INTERNATIONAUX	14
INFORMATIONS GENERALES	15
POUR UNE UTILISATION EN	
TOUTE SECURITE	15
MONTAGE	16
FONCTIONNEMENT	18
ENTRETIEN	20
TABLE DE DEPANNAGES	23

GARANTIE DE MURRAY, INC. LIMITEE DE DEUX ANS

Murray Ohio Manufacturing Company (Murray) garantit au premier acheteur que cet appareil ne présentera pas de défauts de matière et de fabrication dans les conditions normales d'utilisation et d'entretien pendant une période de **deux (2) ans** à compter de la date de l'achat; toutefois, la présente garantie ne couvre pas les moteurs, les accessoires (tels que les chasse-neige rotatifs, les lames chasse-neige, les bacs à herbe et les charrues à neige), les transmissions, les batteries et les pièces d'usure normale (sauf celles notées ci-dessous) ou les boîtes-ponts puisque les fabricants de ces pièces fournissent leurs propres garanties ainsi que le service après-vente dans leurs centres de réparation agréés. Pour de plus amples renseignements, consultez les garanties couvrant ces pièces. Dans le cas où vous ne sauriez pas si votre appareil contient ou est équipé d'une ou plusieurs de ces pièces, consultez votre concessionnaire avant l'achat. C'est parce que nous sommes liés aux modalités et conditions notées dans la présente garantie limitée, que nous réparerons ou remplacerons, à notre guise, sans frais pour le premier acheteur, toute

pièce couverte par la présente garantie limitée pendant la période de garantie applicable. Au cas où la batterie s'avérerait défectueuse dans les quatre-vingt-dix (90) jours qui suivent la date de l'achat, nous la remplacerons sans frais. Si la batterie s'avère défectueuse après (90) jours mais dans les cent vingt (120) jours à compter de la date de l'achat, nous la remplacerons jusqu'à concurrence de la moitié (1/2) du prix de détail de la batterie en vigueur au moment du retour.

Les pièces d'usure normale sont les suivantes : courroies, lames, adaptateurs de lames, pneus, phares et housses de siège. Ces pièces sont garanties comme étant exemptes de défauts de matière et de main d'oeuvre telles qu'elles sont livrées avec le produit. Toute réclamation relative à une réparation ou un remplacement de pièces d'usure normale doit être faite dans les trente (30) jours de la date de l'achat. Aucune réclamation mettant en jeu des dommages-intérêts causés par l'usure, l'abus et le mauvais usage ne sera prise en considération.

La présente **garantie de Murray limitée de deux (2) ans** est votre seul recours; toutefois, la présente garantie ne sera pas valide et ne s'appliquera à aucun appareil qui a été altéré, abîmé, dont il a été fait un mauvais usage, un abus ou utilisé pour la location ou autres usages commerciaux et/ou professionnels (autres que domestiques). Votre garantie ne couvre pas les petits réglages mécaniques qui ne sont pas dus à un défaut quelconque de matière ou de fabrication. Pour de tels ajustements, consultez votre manuel de l'utilisateur.

Pour présenter une réclamation en vertu de la présente **garantie de Murray limitée de deux (2) ans**, retournez l'appareil (ou la pièce défectueuse, si vous avez été autorisé au préalable) avec la preuve de votre achat au centre de réparations

après-vente agréé le plus proche de chez vous. Pour trouver votre centre de service après-vente agréé le plus proche, téléphonez au distributeur central de pièces de rechange de votre zone indiquée dans la liste fournie avec votre appareil ou consultez les Pages Jaunes de votre annuaire téléphonique local. Si vous retournez l'appareil tout entier, nous réparerons l'appareil. Si nous autorisons le retour de la pièce défectueuse seulement, nous remplacerons ou réparerons la pièce. En cas de défaut de la transmission ou du différentiel (à distinguer de la boîte-pont), la transmission ou le différentiel tout entier doit être retourné étant donné qu'ils ne contiennent pas de pièces réparables par l'utilisateur.

La présente **garantie de Murray limitée de deux (2) ans** vous donne des droits spécifiques, et vous pourriez également en disposer d'autres. **Cette garantie limitée est promulguée explicitement à la place de toute autre forme de garantie explicite ou implicite, notamment de garantie implicite de valeur marchande et d'aptitude à un usage particulier que vous en feriez.** Pour de plus amples informations au sujet de la présente garantie limitée, ou pour le service après-vente, écrivez à:

HAYTER LIMITED,
Service Department,
Spellbrook,
Bishop's Stortford,
Hertfordshire. CM23 4BU.

MURRAY, INC.
International Sales
P.O. Box 268
Brentwood, Tennessee USA 37024
1-800-251-8007
Fax (615) 373-6633

PICTOGRAMMES INTERNATIONAUX

REMARQUE IMPORTANTE: les pictogrammes suivants sont situés sur votre appareil ou dans la documentation ci-jointe. Avant de vous servir de la tondeuse, apprenez à reconnaître chaque pictogramme.

REMARQUE: les illustrations et pictogrammes commencent en page 2.

Pictogrammes d'avertissement (Figure 23)


- 1 Avertissement
- 2 **REMARQUE IMPORTANTE :** lire le manuel de l'utilisateur avant de mettre la tondeuse en marche.
- 3 **AVERTISSEMENT :** projection d'objets. Gardez vos distances. Lire le manuel de l'utilisateur avant de mettre la tondeuse en marche.
- 4 **AVERTISSEMENT :** ne pas utiliser la tondeuse sur des pentes de plus de 10 degrés.

- 5 **DANGER:** rester à l'écart, surtout les enfants, de l'appareil.
- 6 **DANGER:** ne pas poser le pied.
- 7 **DANGER:** gardez vos pieds et mains à distance de la lame rotative.
- 8 Niveaux de puissance sonore de 100 dB(A) déclarés conformes à ceux définis par la directive européenne 2000/14/CE.
- 9 **DANGER:** débrancher le câble de la bougie avant toute inspection de l'appareil.
- 10 **AVERTISSEMENT :** surface brûlante.
- 11 **AVERTISSEMENT :** prêter attention lors du branchement et débranchement des accessoires.
- 12 **AVERTISSEMENT :** prendre garde à ne pas s'écraser les doigts.
- 13 **IMPORTANT :** pour régler le niveau du carter du bloc de coupe, suivre attentivement les instructions indiquées dans le Guide de l'utilisateur.

- 14 **AVERTISSEMENT :** ne pas s'approcher de la lame tant que le moteur tourne.

Pictogrammes de commande et de fonctionnement (Figure 24)

- 1 Démarrage du moteur
- 2 Phares
- 3 Moteur en marche
- 4 Arrêt du moteur
- 5 Moteur en marche
- 6 Frein
- 7 Frein de stationnement
- 8 Embrayage
- 9 Ralenti
- 10 Rapide
- 11 Starter
- 12 Huile
- 13 Commande de rotation de la lame
- 14 Soulever
- 15 Essence



MODEL NO.: 425607x52A

SKU No.: _____

YYYY MM DD: _____

SERIAL NO.: _____

2750 min-1
196 kg

CE

Assembled in Lawrenceburg, TN 38464, U.S.A.

Niveaux de vibration déclarés conformes à ceux définis par la directive européenne 98/37/CE.

Niveaux de vibration relevés conformément à la norme BS EN 1032 :

Siège < 0.5 m/s², Marchepied droit 1.05 m/s², Marchepied gauche 1.69 m/s²

Niveaux de vibration relevés conformément à la norme BS EN 1033:

Volant 0.95 m/s²

Valeurs déterminées en station immobile sur une surface cimentée à un régime de 2750 t.p.m..

Niveaux de puissance sonore de 100 dB(A) déclarés conformes à ceux définis par la directive européenne 2000/14/CE.

Niveau de pression acoustique à la station de l'utilisateur 83 dB.

Résultats à l'oreille obtenus en application de la norme EN 836/A2:2001.

INFORMATIONS GENERALES

Maîtrisez le produit : si vous connaissez le produit et comprenez comment celui-ci fonctionne, vous en obtiendrez les meilleurs résultats. Au fur et à mesure que vous lisez le manuel, consultez les illustrations ci-jointes. Sachez reconnaître l'emplacement et la fonction de chaque commande. Afin de prévenir tout accident, suivez les instructions d'utilisation ainsi que les règles de sécurité. Conservez ce manuel car il peut vous être utile dans le futur.



AVERTISSEMENT : ce symbole vous indiquera les mesures de sécurité à prendre. Le message de ce symbole est le suivant : "Attention! Soyez prudent! Votre sécurité est en jeu."

Responsabilité de l'utilisateur



AVERTISSEMENT : il se peut que cette tondeuse éjecte des objets sur son passage. Sachez aussi que cette machine pourrait vous amputer les mains et les pieds. Si vous n'observez pas les mesures de sécurité suivantes, vous encourez le risque de vous blesser (ainsi que les gens à proximité) sérieusement, voire mortellement.

Un utilisateur responsable doit suivre les instructions ci-dessous.

POUR UNE UTILISATION EN TOUTE SECURITE

Modèles de tondeuses à lames rotatives

Conseils préliminaires

1. Lisez les instructions très attentivement. Familiarisez-vous avec les commandes et l'utilisation appropriée de l'équipement.
2. Ne jamais laisser des enfants ou des personnes non familiarisées avec le produit utiliser la tondeuse. Des réglementations gouvernementales peuvent établir un âge minimum.
3. Ne jamais tondre lorsque des personnes, surtout des enfants, ou des animaux sont à proximité.
4. Garder à l'esprit que l'opérateur ou l'utilisateur est tenu responsable des risques ou accidents arrivés aux autres personnes ou à leurs biens.
5. Ne pas prendre de passagers.
6. Tous les conducteurs devraient recevoir des conseils théoriques et pratiques. Ces conseils sont :
 - a. la nécessité d'être soigneux et attentif lors de la tonte sur tondeuse autoportée
 - b. la reprise de contrôle de la tondeuse en pente est impossible par les freins. La perte de contrôle s'explique de la manière suivante :
 - prise de la roue insuffisante;
 - conduite trop rapide;
 - freinage inadéquat
 - le type de machine ne convenant pas à la tâche;
 - manque d'attention sur les conséquences de tontes en pente, en particulier;
 - mauvais accrochage ou répartition inégale de l'herbe dans le sac.

Préparation

1. Lors de la tonte, portez toujours des chaussures qui vous apportent une protection complète et des pantalons. Ne jamais tondre pieds nus ou avec des sandales ouvertes.

2. Inspectez la zone à tondre et enlevez tous les objets que la machine pourrait éjecter sur son passage.
3. **AVERTISSEMENT - L'essence est hautement inflammable.**
 - a. Réserver du carburant dans des jerricanes prévues à cet effet.
 - b. Remplir de carburant uniquement à l'air libre et ne pas fumer.
 - c. Ajouter du carburant avant de démarrer votre tondeuse autoportée. Ne jamais enlever la protection du réservoir ni même ajouter de carburant lorsque le moteur est en marche ou chaud.
 - d. Si une fuite d'essence se produit, ne pas tenter de démarrer la machine et l'éloigner de la zone de fuite en question : attendez que les vapeurs d'essence se soient dissipées avant d'utiliser la tondeuse.
 - e. Replacer correctement les bouchons du réservoir et de la jerricane.
4. Changer les amortisseurs de bruit défectueux.
5. Avant toute utilisation, s'assurer que les lames, boulons de lames et positionnement des lames ne soient pas usés ou endommagés. Remplacer les lames et boulons usés ou endommagés en même temps afin de respecter l'équilibre.
6. En ce qui concerne les tondeuses multi lames, prendre garde lors de la rotation d'une lame car celle-ci peut entraîner la rotation des autres.
8. Arrêtez la rotation des lames avant de traverser une zone non recouverte de pelouse.
9. Lors de l'utilisation d'attaches, ne jamais diriger la décharge de matériel vers les personnes à proximité et n'autoriser personne à s'approcher de la tondeuse en marche.
10. Ne jamais faire marcher la tondeuse avec des éléments de protection défectueux, ou sans aucun dispositif de sécurité
11. Ne pas changer les réglages du régulateur du moteur ni échauffer le moteur. L'utilisation de la tondeuse à vitesse excessive peut accroître le risque de blessure.
12. Avant de quitter l'appareil :
 - a. désengager l'alimentation et rabaisser le bloc accessoire ;
 - b. se positionner au point mort et en frein de stationnement ;
 - c. couper le moteur et enlever la clé.
13. Désengager la courroie du bloc accessoire, arrêter le moteur, et débrancher le(s) câble(s) de la bougie ou enlever la clé de contact ;
 - a. avant de débloquer et nettoyer la machine de toute obstruction ;
 - b. avant d'inspecter, nettoyer, ou travailler sur la tondeuse ;
 - c. après avoir touché un objet. Inspecter la tondeuse et effectuer les réparations nécessaires avant de redémarrer la machine ;
 - d. si la machine commence à vibrer de façon anormale (vérifier dans l'instant).
14. Désengager la courroie du bloc accessoire lors de son transport ou lorsqu'elle n'est pas utilisée.
15. Couper le moteur et désengager la courroie du bloc accessoire
 - a. avant de remettre du carburant;
 - b. avant d'enlever le receveur à herbe;
 - c. avant de régler la hauteur, à moins que ce réglage ne puisse se faire assis.
16. Réduire le réglage de l'accélérateur au point mort et, si la tondeuse est fournie avec une valve de coupure d'alimentation, couper l'alimentation en carburant après la tonte.
17. Avant et lors du recul, regarder **derrière** et **dessous** afin de s'assurer qu'il n'y a pas de jeunes enfants autour.
18. Redoubler d'attention à l'approche de coins aveugles, de buissons, arbres ou autres objets qui peuvent obstruer la visibilité.

Utilisation

1. Ne pas utiliser mettre le moteur en route dans un espace confiné où de dangereux vapeurs de monoxyde de carbone peuvent s'accumuler.
2. Tondre seulement durant la journée ou bien sous un éclairage artificiel puissant.
3. Avant de démarrer la tondeuse autoportée, désengager toutes les manettes de commande de lames et se mettre au point mort.
4. Ne pas tondre sur une pente de plus de 10 degrés.
5. Garder à l'esprit que toute pente peut être dangereuse. Le déplacement demande une attention redoublée. Afin de prévenir toute chute :
 - a. ne pas s'arrêter ou démarrer soudainement lorsqu'on se trouve en pente ascendante ou descendante;
 - b. enclencher l'embrayage lentement, en veillant à ce que les vitesses de la tondeuse soient toujours engagées, surtout lors des déplacements en descente;
 - c. la vitesse devrait être réduite dans les pentes et dans les virages serrés;
 - d. prêter attention aux bosses, aux creux et autres dangers occultés;
 - e. ne jamais tondre en diagonal de la pente, sauf si la tondeuse est conçue à cet effet.
6. Soyez attentif lorsque vous tirez du matériel ou tout autre équipement lourd.
 - a. Utiliser seulement des barres de traction approuvées.
 - b. Limitez les chargements à ceux que vous pouvez contrôler sans aucun risque.
 - c. Ne pas faire de virages secs. Tourner avec précaution.
 - d. Utiliser des contrepoids ou des lests de roues comme suggéré dans le manuel de l'utilisateur.
7. Prenez garde au trafic lorsque vous devez traverser la chaussée ou lorsque vous en êtes prêt.
9. Si le réservoir doit être vidé, ceci doit être fait au dehors.

Maintenance et entreposage

1. En ce qui concerne les tondeuses multi lames, prendre garde lors de la rotation d'une lame car celle-ci peut entraîner la rotation des autres.
2. Quand la tondeuse doit être mise en stationnement, rangée ou laissée pour un moment plus ou moins long, rabaisser les dispositifs de tonte à moins qu'un verrouillage mécanique ne soit mis en place.
3. S'assurer que les écrous, les boulons et les vis soient bien serrés pour que la tondeuse soit dans de bonnes conditions d'utilisation.
4. Ne jamais garder la tondeuse avec du carburant dans le réservoir à l'intérieur d'un bâtiment où des émanations peuvent atteindre une flamme nue ou une étincelle.
5. Laisser la tondeuse refroidir avant de la ranger dans une enceinte.
6. Afin de limiter tout risque de feu, s'assurer que le moteur, l'amortisseur de bruit, le compartiment de batterie et la zone de réserve de carburant soient débarrassés d'herbe, de feuilles ou de graisse excessive.
7. Vérifier fréquemment que le receveur d'herbe ne soit pas usé ou détérioré.
8. Remplacer les pièces usées ou défectueuses.
9. Si le réservoir doit être vidé, ceci doit être fait au dehors.

MONTAGE

Toutes les attaches sont dans le sac des pièces détachées. Ne vous débarrassez d'aucune pièce ni d'aucun matériel jusqu'à ce que l'unité soit assemblée.



AVERTISSEMENT : avant de procéder au montage ou à l'entretien de la tondeuse, enlever le câble de la bougie.

REMARQUE : dans ce manuel de l'utilisateur, la gauche et la droite décrivent l'emplacement d'une pièce avec l'opérateur assis sur la tondeuse.

REMARQUE : les illustrations et pictogrammes commencent en page 2.

REMARQUE: veuillez vous servir des attaches montrées à la *Figure 25* pour assembler les différentes pièces détachées.

Installation des roues avant (*Figure 1*)

A l'aide d'un couteau, coupez les quatre côtés de la boîte. Installez les roues avant (1) dans ce bac.

REMARQUE : soulever l'avant de la tondeuse à l'aide d'un bâton d'environ 1,25 m (4 pieds). Sinon demander à une autre personne de soulever la tondeuse. Attention, ne pas laisser tomber la tondeuse!

1. Soulevez l'avant de la tondeuse. Placez un support (bûche de bois) en dessous.
2. Assurez-vous que la valve (2) soit à l'extérieur de la tondeuse. Faites glisser la roue avant (1) sur l'axe (3).
3. Fixer chaque roue avant (1) avec une rondelle (4) et une goupille fendue (5). Renversez les bords de la goupille fendue (5) afin de maintenir la roue avant (1) sur l'axe (3).
4. Une fois les roues avant (1) installées, soulevez la tondeuse de son support. Retirez la tondeuse de la boîte.
5. Si la tondeuse dispose d'enjiveurs de moyeu (6), installez-les (6). Assurez-vous que les rondelles (4) maintiennent les enjiveurs de moyeu (6) en place.

Montage du bloc de coupe (*Figure 22*)

1. Placer la commande de rotation de la lame (1) en position DESENGAGE.
2. Placer le levier de hauteur de coupe (2) à la position de réglage du niveau de coupe.



AVERTISSEMENT : le levier de hauteur de coupe est monté sur ressort. S'assurer que celui-ci est bien verrouillé en position REGLAGE DE NIVEAU.

3. Fixer la suspension avant (9) au carter du bloc de coupe à l'aide des attaches. Cf. l'illustration "H".
4. Pousser le bloc de coupe sous le côté droit de l'appareil.
5. Enrouler la courroie de transmission de la tondeuse (7) autour de la double poulie (8). Cf. illustration "G".

F-050744L

REMARQUE: S'assurer que la face en biseau (en V) de la courroie de transmission de la tondeuse est contre la double poulie. Vérifier aussi que la courroie de transmission de la tondeuse n'est pas entortillée

6. Relier la suspension avant (9) au support d'essieu. Cf. l'illustration "F".
7. Veiller à ce que la courroie de transmission de la tondeuse (7) soit bien entre la double poulie (8) et les deux guides de courroie (10). Cf. illustration "G".
8. Fixer les liaisons à la suspension (4) à l'ensemble de levage à l'aide des goupilles et rondelles.. Cf. les illustrations "A" et "B".
9. Fixer les bras de réglage gauche et droit (3) au support de suspension à l'aide des goupilles et rondelles. Cf. les illustrations "C" et "D".
10. Fixer le ressort de traction (5) à la tringle de commande de la lame (6). Cf. l'illustration "E".
11. Placer la commande de rotation de la lame en position ENGAGE. S'assurer que la courroie de transmission de la tondeuse est bien à l'intérieur des guides de courroie.
12. Veiller à ce que le bloc de coupe soit à niveau. Cf. les instructions dans "Mise à niveau du bloc de coupe".
13. (*Figure NO TAG*) Fixer les roulettes de réglage (12) aux boulons essieu (11) à l'aide des attaches. Cf. illustration "I".
14. Vérifier le fonctionnement de la commande de rotation de la lame. Cf. les instructions dans "Réglage de la commande de rotation de la lame".

Installation du siège (*Figure 2*)

1. Enlevez délicatement le sac plastique du siège (1).
2. Alignez les orifices dans la charnière du siège (2) aux orifices du siège (1). Attachez le siège (1) à la charnière du siège (2) à l'aide des attaches (4) et (5).
3. Vérifiez la position de fonctionnement du siège (1). Si le siège (1) a besoin d'être ajusté, desserrez les boulons à oreilles (5). Faites glisser le siège (1) en avant et en arrière le long de la fente de réglage du siège (3). Resserrez les boulons à oreilles (5).

Montage du volant (*Figure 3*)

1. Assurez-vous que les roues avant pointent bien vers l'avant.
2. Faites glisser le couvercle (3) sur la colonne de direction (2). Assurez-vous que le collier du couvercle (3) soit au dessus.
3. Faites glisser le volant (1) sur la colonne de direction (2).
4. Fixez le volant (1) à la colonne de direction (2) à l'aide de la vis (4) et de la rondelle (6).
5. Certains modèles disposent d'une étiquette (7) en option, se trouvant dans le sac des pièces détachées. Attachez-le (7) au centre du volant (1).

Entretien de la batterie libre (*Figure 4*)

REMARQUE IMPORTANTE: avant de relier les câbles de la batterie à celle-ci, vérifiez sa date. Cette date indique si la batterie doit être chargée.

1. Vérifiez le haut et le côté de la batterie (1) et repérez la date.
2. Si la batterie (1) est mise en route avant la date, ses câbles peuvent être attachés sans la charger. Cf. "Installation des câbles de batterie".
3. Si la batterie (1) est mise en route après sa date, la batterie (1) doit être chargée. Cf. "Chargement de la batterie d'entretien libre".

Chargement de la batterie (*Figure 4*)



AVERTISSEMENT : Lors du chargement de la batterie, ne pas fumer. Eviter d'exposer la batterie à toute étincelle. Les émanations provenant de l'électrolyte de batterie peuvent provoquer une explosion.

1. Enlevez la batterie (1) et son bac (3).
2. Enlevez le capuchon de la bornes de la batterie.
3. Utilisez un chargeur de batterie de 12 volts pour charger la batterie (1). Chargez-la à un taux de 6 ampères par heure. Si vous ne disposez pas de chargeur de batterie, des professionnels peuvent le faire pour vous.
4. Installer la batterie (1) et son bac (3). S'assurer que la borne positive (+) (4) est à gauche.

Installation des câbles de batterie (*Figure 4*)



AVERTISSEMENT : afin de prévenir toute étincelle, attacher le câble rouge à la borne positive (+) avant de connecter au câble noir.

1. Enlevez le capuchon de la bornes de la batterie.
2. Faites glisser le capuchon de borne (2) sur le câble rouge (5). Attachez le câble rouge (5) à la borne positive (+) (4) à l'aide des attaches (6) et (7).
3. Attachez le câble noir 8 à la borne négative (-) à l'aide des attaches (6) et (7).

Inspection des pneus

Vérifiez la pression des pneus. Un excès de pression peut rendre la conduite cahoteuse. Par ailleurs, une mauvaise pression des pneus empêchera le bloc de coupe de tondre de façon égale. La pression convenable est de 0,97 BAR (14 PSI) pour les roues avant et de 0,69 BAR (10 PSI) pour les roues arrière. Les pneus ont été surgonflés pour la livraison.

Vérification du niveau de la tondeuse

Assurez-vous que le niveau de tonte est toujours le même. Après avoir tondu sur une petite distance, inspectez la zone tondu. Si le bloc de coupe ne tond pas de manière égale, consulter les instructions dans "Mise à niveau du bloc de coupe" dans la section Entretien de ce manuel de l'utilisateur.

Préparation du moteur

REMARQUE : le moteur quitte l'usine rempli d'huile. Vérifier le niveau de l'huile. En ajouter autant que nécessaire.

Consultez les instructions données par le fabricant du moteur pour déterminer l'essence et l'huile à utiliser. Avant toute utilisation, lisez les instructions de sécurité, d'utilisation, d'entretien, et de rangement.



AVERTISSEMENT : suivre les instructions du fabricant de ce moteur au sujet de l'utilisation de l'essence et de l'huile. Se munir toujours d'une jerrycan prévue à cet effet. Ne pas fumer lorsque l'on verse du carburant dans le moteur. Verser le carburant à l'air libre, après avoir coupé le moteur. Laisser le moteur refroidir pendant un moment.

REMARQUE: La puissance continue réelle en cheval-vapeur sera probablement inférieure par le fait des limites d'utilisation et des facteurs environnementaux.

Remarque importante! Avant de tondre :

- Vérifiez l'huile du moteur.
- Remplissez le réservoir d'essence.
- Vérifiez la pression des pneus.
- Vérifiez le niveau du bloc de coupe.
- Attachez les câbles de la batterie.

FONCTIONNEMENT

REMARQUE : les illustrations et pictogrammes commencent en page 2.

Emplacement des commandes (Figure 5)

Manette de commande de rotation de la lame (1) : elle sert à démarrer et à arrêter la rotation de la lame.

Pédale de frein (2) : utiliser cette pédale pour arrêter rapidement la tondeuse.

Contact de phare (3) : c'est la première partie du contact de démarrage. Pour tondre avec le phare, tourner la clé vers la position du phare.

Contact de démarrage (3) : il sert à démarrer et à arrêter le moteur.

Pédale de vitesse (4) : utiliser cette pédale pour changer la vitesse et le sens de la marche (avant/arrière) de la tondeuse.

Levier de hauteur de coupe (5) : il sert à ajuster la hauteur de la tonte.

Manette de frein de stationnement (6) : elle permet d'engager la tondeuse lorsque l'on ne s'en sert plus.

Manette de contrôle des gaz (7) : elle sert à augmenter ou réduire la vitesse du moteur.

Commande de coupure de transmission (8) : utiliser cette commande située au-dessous du siège pour désengager la transmission.

Bloc accessoire

Cette tondeuse peut en disposer de plusieurs. Cette tondeuse peut tirer des accessoires tels un nettoyeur de pelouse, un aérateur de pelouse, ou un épandeur à trémie. Mais cette tondeuse ne peut tirer des engins comme des charrues, des pulvérisateurs à disque ou des bineuses.

On peut se servir d'accessoires tractés ou de remorques tant que le poids ne dépasse pas 113 kg.

Utilisation de la manette de contrôle des gaz (Figure 5)

Elle permet d'augmenter ou réduire la vitesse du moteur (7) .

1. La position FAST (rapide) est marquée d'un cran de positionnement. En utilisation normale ou avec un bac à herbe, positionner la manette sur FAST. Cette position permet une charge maximale de la batterie et un meilleur refroidissement du moteur.
2. Le régulateur du moteur est réglé à l'usine afin de garantir les meilleures performances. Ne pas régler le régulateur dans le but d'augmenter la vitesse du moteur.

Utilisation de la manette de commande de rotation de la lame (Figure 5)

Elle sert à engager la (les) lame(s) (1) .

1. Avant de mettre le moteur, s'assurer que la **manette de commande de rotation de la lame (1)** est dans la position DESENGAGE.
2. La placer dans la position (1) ENGAGE afin de permettre la rotation de la (des) lame(s).

REMARQUE : si le moteur s'arrête lorsque vous engagez la (les) lame(s), le contacteur du siège n'est pas activé. Bien s'asseoir au milieu du siège.

3. Placer la **manette de commande de rotation de lame (1)** en position DESENGAGE afin d'arrêter la (les) lame (s). Avant de quitter l'appareil, veiller à ce que la (les) lame (s) soit (soient) arrêtée(s).
4. Avant de traverser un trottoir ou une route avec la tondeuse, veiller à ce que la manette de commande de rotation de la lame soit en position DESENGAGE (1).



AVERTISSEMENT : veiller à ce que vos mains ou pieds se tiennent à l'écart de la lame, de l'ouverture du déflecteur, et du bloc de coupe lorsque le moteur est en marche.

Utilisation de la pédale de vitesse (Figure 5)

La tondeuse est équipée d'une transmission hydrostatique automatique. Cette transmission est très facile à utiliser. Elle ne nécessite ni levier de vitesses, ni pédale d'embrayage.

La vitesse et le sens de déplacement de la tondeuse sont contrôlés à l'aide d'une unique **pédale de vitesse (4)** commandée au pied droit. Ne pas se servir de la pédale gauche de frein en utilisation courante. Réserver l'emploi de cette pédale de frein aux cas d'urgence pour un arrêt rapide.

Marche avant

1. (Figure 20) La **commande de coupure de transmission (1)** doit être en **position marche (DRIVE) (2)**.
2. Relever lentement le pied gauche de la pédale de frein.
3. Mettre la manette des gaz sur régime rapide (FAST).
4. (Figure 19) Enfoncer lentement la **pédale de vitesse (1) vers l'avant (4)** pour atteindre la vitesse voulue.
5. Pour augmenter la vitesse de la tondeuse, enfoncer lentement la **pédale de vitesse (1)** plus en avant. Pour réduire la vitesse en marche avant, laisser remonter lentement la **pédale de vitesse (1)** jusqu'à atteindre la vitesse désirée.

Marche arrière

1. Regarder derrière soi.
2. Enfoncer lentement la **pédale de vitesse (1)** en **marche arrière (2) (REVERSE)**.

Changement du sens de la marche

ATTENTION : lors d'un changement de sens de marche, ne pas se servir de la pédale gauche de frein, mais seulement de la pédale de vitesse.

1. Dégager lentement le pied de la **pédale de vitesse (1)**. La pédale revient au **point mort (3)** automatiquement (NEUTRAL).
2. Une fois la tondeuse arrêtée, faire passer lentement la **pédale de vitesse (1)** dans le sens correspondant à la marche voulue (avant/arrière).

Coupure de la transmission (Figure 20)

Pour pouvoir pousser la tondeuse, se servir d'abord de la **commande de coupure de transmission (1)**, qui se trouve au-dessous du siège.

1. Le moteur doit être coupé.

2. Soulever le siège. La **commande de coupure de transmission (1)** se trouve au-dessous du siège.
3. Verrouiller la **manette de commande de coupure de transmission (1)** sur la position **ROUE LIBRE (PUSH) (3)**. La transmission est maintenant *désengagée* et la tondeuse peut être poussée.
REMARQUE : par temps froid, l'huile figée de la transmission rendra plus difficile le déplacement de la machine.
4. Pour engager la transmission, déverrouiller la **manette de commande de coupure de transmission (1)**. La transmission est maintenant *engagée* et prête à fonctionner.

Utilisation du frein de stationnement (Figure 5)

1. Appuyer complètement sur la **pédale de freinage (2)**.
2. Soulever la **manette de frein de stationnement (6)**.
3. Retirer le pied de la **pédale de freinage (2)** puis relâcher la **manette de frein de stationnement (6)**. S'assurer que le frein de stationnement retienne la tondeuse.
4. Pour relâcher le **frein de stationnement (6)**, appuyer complètement sur la **pédale de freinage (2)** en avant. Le frein de stationnement sera relâché automatiquement.



AVERTISSEMENT : avant de descendre de la tondeuse, actionner le frein de stationnement. Mettre la commande de rotation de la lame en position DESENGAGE. Couper le moteur et enlever la clé de contact.

Ajustement de la hauteur de coupe (Figure 5)

Pour l'ajuster, réduire ou augmenter le **levier de hauteur de coupe (5)** comme indiqué :

1. Déplacer le **levier de hauteur de coupe (5)** vers l'avant pour abaisser le bloc de coupe et le remonter pour élever le bloc de coupe.
2. Lors d'un déplacement sur un trottoir ou route, déplacer le **levier de hauteur de coupe (5)** vers la position la plus haute ainsi que la **commande de rotation de la lame** en position DESENGAGE.

Arrêt de la tondeuse (Figure 5)

1. Dégager lentement le pied de la **pédale de vitesse (4)**. La pédale revient au **point mort (NEUTRAL)** automatiquement et la tondeuse s'arrête.
2. Déplacer la **commande de rotation de la lame** en position DESENGAGE.
3. Mettre le **frein de stationnement (7)**.



AVERTISSEMENT : veiller à ce que le frein de stationnement retienne la tondeuse.

4. Déplacer la **manette de contrôle des gaz (8)** vers la position SLOW.
5. Pour couper le moteur, arrêter la **clé de contact (4)** (position OFF) et la retirer.

Transport de la tondeuse

Pour transporter la tondeuse, suivre les étapes suivantes :

1. Mettre la commande de rotation de la lame en position DESENGAGE.
2. Monter le levier de hauteur de coupe à la position la plus haute.
3. Régler la manette de contrôle des gaz entre les positions SLOW et FAST.
4. Enfoncer lentement la pédale de vitesse vers l'avant pour atteindre l'allure désirée.

Utilisation du bloc de coupe

REMARQUE IMPORTANTE : lors de l'utilisation du bloc de coupe, avoir toujours la manette de contrôle des gaz en position FAST.

1. Mettre les moteurs.
2. Régler le levier de hauteur de coupe à la hauteur désirée. Lorsque l'herbe est haute ou épaisse, opter pour la position la plus haute dans un premier temps, puis abaisser le bloc pour une deuxième tonte.
3. Placer le contrôle des gaz en position SLOW.
4. Mettre lentement la commande de rotation de lame en position ENGAGE.
5. Placer le contrôle des gaz en position FAST.
6. Appuyer progressivement sur la pédale de commande des vitesses pour atteindre l'allure désirée.

REMARQUE : lorsque l'herbe est épaisse ou lorsque l'on tond avec un bac à herbe, avancer à vitesse réduite.

7. S'assurer que le niveau de coupe reste correct. Après avoir tondu sur une petite zone, l'inspecter. Si le bloc de coupe ne tond pas de manière égale, consulter les instructions présentes dans "Mise à niveau du bloc de coupe" dans la section Entretien.



AVERTISSEMENT : afin de réduire les risques d'accident, veiller à ne pas aller trop vite.

Utilisation en pentes



AVERTISSEMENT : ne pas se déplacer (vers le haut ou le bas) dans des pentes trop raides pour permettre de reculer. Ne jamais se déplacer en diagonal.

1. Contrôler la vitesse à l'aide de la pédale de commande. Placer la manette de commande de coupure de transmission des vitesses sur la position ROUE LIBRE (PUSH). Ne jamais utiliser la pédale des freins en pente.
2. Afin de prévenir tout accident, ajuster la pédale de commande des vitesses. Éviter les virages serrés et les changements brusques de vitesses.
3. Pour réduire la vitesse lors d'un déplacement en avant en pente, relâcher lentement la pédale de commande des vitesses jusqu'à ce que la tondeuse atteigne l'allure désirée.

Arrêt en pentes

1. Éviter les arrêts en pente. S'il devient urgent de s'arrêter, retirer le pied droit de la pédale de commande des vitesses et enfoncer la pédale de frein gauche.
2. Mettre le frein de stationnement.
3. Avant de quitter le siège, placer la commande des gaz en position SLOW, la

commande de rotation de la lame en position DESENGAGE, couper le moteur et mettre le frein de stationnement.

Démarrage en pente

1. Mettre le moteur en marche
2. Placer la commande de rotation de la lame sur la position ENGAGE.
3. Placer la commande des gaz en position FAST.
4. Enfoncer la pédale de frein et relâcher le frein de stationnement. Tout en relâchant le frein de stationnement, appuyer sur la pédale de commande des vitesses pour atteindre l'allure désirée.



Appuyer lentement sur la pédale de commande des vitesses tout en relâchant le frein de stationnement. Le frein de stationnement doit être désengagé afin de pouvoir enclencher la pédale de commande des vitesses.

Avant de démarrer le moteur

Vérification de l'huile

REMARQUE : le moteur a quitté l'usine rempli d'huile. Vérifier le niveau d'huile. En ajouter autant que nécessaire. Suivre les instructions du fabricant de ce moteur au sujet de l'utilisation de l'essence et de l'huile.

1. Veiller à ce que la tondeuse soit à niveau.

REMARQUE : Ne pas inspecter le niveau d'huile lorsque la tondeuse est en marche.

2. Vérifier l'huile. Suivre la procédure donnée dans le manuel du fabricant du moteur.
3. Si nécessaire, ajouter de l'huile jusqu'à atteindre la marque FULL (plein) sur la jauge. La quantité à ajouter depuis ADD (verser) jusqu'à FULL est montrée sur la jauge. Veiller à ne pas dépasser la marque indiquée.

Ajouter de l'essence



AVERTISSEMENT : Se munir toujours d'une jerrycane prévue à cet effet. Ne pas fumer lorsque l'on verse du carburant dans le moteur. Verser le carburant à l'air libre, après avoir coupé le moteur. Laisser le moteur refroidir pendant un moment.

(Figure 6) Remplir le réservoir d'essence (1) à FULL (2) avec de l'essence ordinaire sans plomb. Ne pas utiliser de super sans plomb. Ne pas utiliser d'essence "d'âge" ou sale. L'essence avec plomb accroît la formation de dépôt et réduit la durée d'utilisation des valves.

Démarrage du moteur



AVERTISSEMENT : le système électrique dispose d'un mécanisme de détection de présence (de l'utilisateur) grâce à un contact de capteur sur le siège. Ce mécanisme vous signale si l'utilisateur est assis sur le siège. Le système arrêtera la tondeuse si l'utilisateur quitte le siège de celle-ci. Dans votre intérêt, veiller à ce que le système fonctionne bien.

REMARQUE : le moteur ne démarrera pas à moins que l'on ne relâche la pédale d'embrayage/freinage et ne place la commande de rotation de la lame en position DESENGAGE.

1. Appuyer complètement sur la pédale de freinage afin d'arrêter la tondeuse. Garder le pied sur la pédale.
2. Veiller à ce que la commande de rotation de la lame soit en position DESENGAGE.
3. Avancer la commande de contrôle des gaz vers les positions CHOKE (starter) ou FAST (rapide). Certains modèles disposent d'un bouton de starter. Le tirer à fond en position CHOKE.
4. Tourner la clé de contact en position START.
REMARQUE : si le moteur ne démarre pas après quatre ou cinq essais, placer la commande de contrôle des gaz en position FAST. Réessayer de démarrer. Si vos essais demeurent infructueux, consulter la TABLE DE DEPANNAGES.
5. Placer lentement la commande des gaz sur la position SLOW.
6. Pour démarrer un moteur chaud, placer la commande des gaz sur une position entre FAST et SLOW.

Quelques conseils...

1. Pour de meilleurs résultats, il est important de vérifier le niveau de coupe du bloc de coupe. Cf. "Mise à niveau du bloc de coupe" dans la section Entretien.
2. Pour s'assurer que la coupe est bien égale de partout, veiller à ce que les pneus soient gonflés comme requis.
3. A chaque utilisation, vérifier la lame. Si celle-ci est recourbée ou défectueuse, la remplacer immédiatement. De même, s'assurer que l'écrou est bien serré.
4. Maintenir la (les) lame(s) bien coupante(s). Des lames usées jauniront les bouts des brins d'herbe.
5. Ne pas couper ni ne mettre en sac l'herbe mouillée. L'herbe mouillée se tond mal et il est conseillé d'attendre qu'elle sèche.
6. Utiliser le côté gauche du bloc de coupe pour couper près d'un objet.
7. Répandre l'herbe coupée sur la surface tondue. Ainsi, l'herbe coupée est répandue de manière plus égale.
8. Lorsque l'on tond sur une grande surface, commencer toujours par la droite pour que l'herbe rejetée soit éloignée des buissons, des barrières, des allées, etc. Après deux tours, tondre dans la direction opposée en tournant à gauche pour finir.
9. Si l'herbe est vraiment haute, procéder à la tonte en deux fois pour réduire la charge sur le moteur. D'abord tondre en plaçant le bloc de coupe dans la position la plus haute, puis l'abaisser pour le deuxième passage.

10. Pour assurer de meilleures performances du moteur ainsi qu'une coupe égale de l'herbe, garder toujours la commande des gaz en position FAST.
11. Avec un sac à herbe, garder la commande des gaz en position FAST et la pédale de commande de vitesse enfoncée de 33% à 50% (100% étant enfoncée complètement).
12. Après chaque utilisation, nettoyer le fond et le dessus du bloc de coupe. De même, le garder propre peut vous aider à prévenir un feu.

ENTRETIEN

REMARQUE : les illustrations et pictogrammes commencent en page 2.

Recommandations générales

1. Il est de la responsabilité de maintenir ce produit. Cela rallongera sa durée d'utilisation. Cette remarque est importante car si vous n'observez pas ces règles, vous risquerez de perdre votre assurance-garantie.
2. Vérifier la bougie, frein de pédale, la lubrification de la tondeuse, et nettoyer le filtre à air une fois par an.
3. Vérifier les attaches. S'assurer qu'elles sont bien serrées.
4. Consulter la section Entretien afin de garder votre tondeuse en bon état de marche.



AVERTISSEMENT : avant de procéder à l'inspection, au réglage, ou aux réparations éventuelles, débrancher le câble de la bougie. et le retirer afin d'empêcher que le moteur ne démarre involontairement.

REMARQUE : le couple de torsion se mesure en newton-mètre (pied-livre). Cette unité de mesure permet de déterminer le couple de serrage de l'écrou ou du boulon. Le couple de torsion se mesure avec une clé dynamométrique.

Inspection de la lame (Figure 7)



AVERTISSEMENT : avant d'inspecter ou d'enlever la lame, débrancher le câble de la bougie. Si la lame touche un objet, arrêter le moteur. Voir si la tondeuse a été endommagée. La lame est très coupante, il est donc conseillé de porter des gants ou tout autre accessoire qui peut protéger vos mains.

Si vous maintenez la lame (1) coupante et veillez à ce qu'elle ne s'abîme pas, les risques d'accidents en seront réduits. L'inspection de la lame devrait être fréquente afin de déterminer l'usure, les fissures et autres défauts. De même, il faudrait vérifier fréquemment l'écrou (3) qui retient la lame (1) en s'assurant qu'il reste bien serré (3). Si la lame touche un objet, arrêter le moteur. Débrancher le câble de la bougie. Voir si la lame est recourbée ou endommagée. Vérifier l'adaptateur de lame (5). Avant de mettre la tondeuse en route, remplacer les parties défectueuses par des neuves. Consulter votre centre de service agréé le plus proche. Tous les trois ans, faire inspecter la lame par un professionnel agréé ou la faire remplacer si nécessaire.

F-050744L

Retrait et installation de la lame (Figure 7)

1. Retirer le bloc de coupe. Cf. les instructions dans "Retrait du bloc de coupe".
 2. Empêcher la rotation de la lame à l'aide d'un bout de bois.
 3. Retirer l'écrou (3) qui retient la lame (1).
 4. Vérifier la lame (1) et l'adaptateur de lame (5) en suivant les instructions dans "Inspection de la lame". La remplacer par une neuve si nécessaire. Consulter votre centre agréé le plus proche.
 5. Nettoyer le dessus et le dessous du bloc de coupe. Retirer les débris et l'herbe.
 6. Monter la lame (1) et l'adaptateur de lame (5) sur l'axe (6).
 7. Monter la lame (1) de manière à ce que les bords relevés (7) soient en hauteur. Si la lame est à l'envers, la lame ne coupera pas correctement et risquera de provoquer un accident.
 8. Attacher la lame (1) à l'aide des rondelles et de l'écrou (3). S'assurer que le rebord extérieur de la rondelle Belleville (2) est contre la lame (1).
- AVERTISSEMENT** : veiller à ce que l'écrou (3) soit bien serré et qu'il retienne la lame (1). Sinon, vous pourriez risquer un accident.
9. Attacher l'écrou (3) qui retient la lame (1) à un couple de serrage de 41,5 Nm (30 pied-livre).
 10. Installer le bloc de coupe. Cf. "Retrait du bloc de coupe".

Ajustement de la commande de rotation de la lame



AVERTISSEMENT : afin de prévenir toute blessure, la commande de rotation de la lame doit être actionnée avec prudence.

En usage normal, la commande de rotation de la lame ne nécessitera pas de réglage. Cependant, si les performances de coupe faiblissent ou si la qualité de coupe est médiocre, faire les changements suivants :

1. Lors de la tonte, s'assurer que la commande de contrôle des gaz soit en position FAST.
2. (Figure 8) Placer la commande de rotation de la lame en position DESENGAGE (1).
3. Couper le moteur. Débrancher le câble de la bougie.
4. Vérifier la (les) lame(s). Maintenir la lame bien coupante ; sinon, les bouts des brins d'herbe jauniront.
5. (Figure 9) Débrancher le ressort du système de rotation de la lame (2) situé sur la tringle de commande de la lame (1). Déplacer le ressort (2) vers le trou central (4). Cela permettra d'accroître la tension sur la courroie motrice de la tondeuse.
6. Attacher le câble à la bougie. Tondre sur une courte distance et vérifier la qualité de la coupe. Si nécessaire, déplacer le ressort du système de rotation de la lame (2) vers le trou du bas (5)

7. Vérifier encore la qualité de la coupe. Si celle-ci n'est pas meilleure, remplacer la courroie motrice de la tondeuse. Cf. "Remplacement de la courroie motrice". Si toutefois, si là encore, rien n'y fait, amener la tondeuse à un service agréé.
8. Placer la commande de rotation de la lame en position DESENGAGE. Arrêter le moteur.
9. (Figure 10) Vérifier le frein de lame. Faire tourner les poulies manuellement. S'assurer que les plaquettes de frein (1) sont bien serrées contre les poulies.



AVERTISSEMENT : si les plaquettes de frein ne sont pas serrées correctement (1) contre les poulies, amener la tondeuse à un centre de service agréé.

10. (Figure 8) Placer la commande de rotation de la lame en position ENGAGE (2).
11. (Figure 10) Vérifier les plaquettes de frein (7). Si celles-ci sont trop usées ou défectueuses, les remplacer toutes ensemble. Un centre agréé peut vous fournir des pièces de remplacement et de l'assistance.
12. Attacher le câble à la bougie. Tondre sur une courte distance et vérifier la tonte. Inspecter la commande de rotation de la lame.
13. Lorsque vous déplacez cette commande en position DESENGAGE, tous les mouvements s'arrêteront en cinq secondes. Si la courroie ou la lame bougent encore, engager et désengager la commande de rotation de la lame cinq fois avant d'enlever le surplus de caoutchouc de la courroie motrice de la tondeuse. Si vous avez besoin d'aide, emmenez la tondeuse dans un centre agréé.
14. (Figure 9) Si vous remplacez la courroie motrice de la tondeuse, mettre le ressort du système de rotation de la lame (2) dans le trou du haut (3).

Vérification et réglage de la courroie d'entraînement de la tondeuse (Figure 18 et Figure 21)

Si la courroie motrice de la tondeuse est lâche, elle glissera; en pente ascendante, en tirant une charge lourde, la tondeuse n'avancera pas.

REMARQUE IMPORTANTE : la tondeuse doit être utilisée avec un régime moteur rapide (FAST). Si le moteur ne tourne pas assez vite, il peut s'échauffer de même que la transmission et certains problèmes peuvent alors survenir (similaires à ceux résultant d'une courroie d'entraînement moteur défectueuse).



AVERTISSEMENT : avant toute inspection, réglage ou réparation de la tondeuse, débrancher le câble de la bougie et l'enlever afin de prévenir tout démarrage de la tondeuse accidentel.

1. (Figure 21) Vérifier l'itinéraire de la courroie motrice (6). Veiller à ce que la courroie motrice (6) soit correctement en place à l'intérieur des guides de courroie (7).
2. (Figure 18) Détacher la patte d'embrayage (1) du bras de la poulie libre (2).
3. (Figure 21) superposer le trou situé sur la poignée de frein (3) et le trou situé sur le châssis. Fixer la poignée de frein (3) dans cette position à l'aide d'une goupille ou d'un boulon 1/4 de pouce (6 mm) (4).

4. (Figure 18) Faire pivoter la **patte d'embrayage (1)** jusqu'à ce que le **trou de montage (5)** situé sur la **patte d'embrayage (1)** soit superposé au trou de montage situé sur le **bras de la poulie libre (2)**.
5. Fixer la **patte d'embrayage (1)** au **bras de la poulie libre (2)**.
6. (Figure 21) Retirer la **goupille ou le boulon 1/4 pouce (6 mm) (4)**.
7. Si la courroie glisse toujours après avoir été ajusté, c'est que la courroie motrice est usée ou défectueuse et doit donc être remplacée. Cf. "Remplacement de la courroie motrice".

Vérification et réglage du frein de pédale (Figure 12 et 20)

(Figure 20) Engager le frein à main. Mettre la **manette de commande de coupure de Transmission (1)** sur la position **PUSH (pousser) (3)**. Pousser la tondeuse. Si les roues arrières tournent, régler ou remplacer les plaquettes de freins.

Régler le **frein moteur (4)** comme suit :

1. (Figure 12) L'emplacement du **frein moteur (4)** se situe à droite de la boîte de vitesse (5).
2. (Figure 20) Veiller à ce que le frein de stationnement soit engagé et que la **manette de commande de coupure de Transmission (1)** soit sur la position **PUSH (pousser) (3)**.
3. (Figure 12) Tourner l'**écrou hexagonal (6)** dans le sens des aiguilles d'une montre jusqu'à ce que les roues arrières ne tournent plus lorsque l'on pousse la tondeuse en avant.
4. Relâcher le frein de stationnement et pousser la tondeuse. Si la tondeuse ne marche pas, tourner l'**écrou à tête hexagonale (6)** dans le sens inverse des aiguilles d'une montre jusqu'à ce que la tondeuse roule enfin.
5. Régler le frein de stationnement. Pousser la tondeuse. Si les roues arrières ne tournent pas, le **frein de pédale (4)** est bien réglé. Relâcher le frein de pédale.



AVERTISSEMENT : si vous ne pouvez pas ajuster le frein de pédale comme il faut, remplacer les plaquettes de frein. Un centre agréé peut vous aider à remplacer les pièces nécessaires.

Retrait de la batterie (Figure 4)

Pour charger ou nettoyer la **batterie (1)**, la retirer (1) de la tondeuse comme suit.



AVERTISSEMENT : afin de prévenir toute étincelle, débrancher le **câble noir de la batterie (8)** de la **borne négative (-)** avant de débrancher le **câble rouge (5)**.



AVERTISSEMENT : la batterie contient de l'acide sulfurique qui peut être dangereux pour la peau, les yeux et les habits. Si l'acide entre en contact avec le corps ou les habits, laver la zone avec de l'eau.

1. Débrancher le **câble noir (8)** de la borne négative (-).

F-050744L

2. Débrancher le **câble rouge (5)** de la borne positive (+) (4).
3. Soulever le **bac de batterie (3)** et la **batterie (1)** de la tondeuse.

Charge de la batterie (Figure 4)



AVERTISSEMENT : ne pas fumer lors de la charge de la batterie et tenir la batterie éloignée de la moindre étincelle. Les émanations d'électrolyte de batterie peuvent provoquer une explosion.

1. Avant de charger la **batterie (1)**, la déplacer.
2. Pour sa charge, utiliser un chargeur de batterie de 12 volts, à un taux de 6 ampères par heure.
3. Installer la **batterie (1)**.



AVERTISSEMENT : afin de prévenir toute étincelle, attacher le **câble rouge de la batterie la borne positive (+) avant de se brancher au câble noir.**

4. Attacher le **câble rouge de la batterie (5)** à la **borne positive (+) (4)** à l'aide des attaches.
5. Attacher le **câble noir (8)** à la borne négative (-) à l'aide des attaches.

Ajustement des roulettes de réglage

Les boulons essieu des roulettes de réglage ont été montés en position de coupe BASSE (LOW). Pour changer la position des roulettes, déplacer les boulons essieu comme suit :

REMARQUE IMPORTANTE : avant de faire quoi que ce soit, suivre ces recommandations. S'assurer que le **bloc de coupe est à niveau** et que la **hauteur de coupe est celle que vous voulez**. Tondre sur une courte distance sur terrain plat, et inspecter la zone tondu. Si le **bloc de coupe ne coupe de manière uniforme**, Cf. les instructions "Mise à niveau du bloc de coupe."



AVERTISSEMENT : avant de procéder à quelque inspection, réglage ou réparation de la tondeuse, débrancher le **câble de la bougie**. Le retirer afin de prévenir tout démarrage accidentel du moteur .

1. (Figure 22, illustration "I") Retirer les **roulettes de réglage (12)** et les **boulons essieu (11)**.
2. (Figure 13) Tondre sur une courte distance sur terrain plat, puis inspecter le niveau et la hauteur de coupe. Noter le **numéro de position de la hauteur de coupe (3)** sur le **levier de hauteur de coupe (1)**.
3. (Figure 22, illustration "I") Inspecter chaque **support des roulettes de réglage (13)**. Chaque support dispose de 3 orifices avec un numéro qui s'y rattache. Le numéro de position de la hauteur de coupe présent sur le levier, indique l'orifice correct à utiliser sur chaque **support des roulettes de réglage (13)**.

REMARQUE : l'orifice numéro 1 du support de roue correspond à la position numéro 1 du levier de hauteur de coupe, l'orifice numéro 2 du support de roue correspond à la position numéro 2 du levier de hauteur de coupe, l'orifice numéro 3 du support de roue correspond aux positions numéro 3,4,5,6 du levier de hauteur de coupe.

4. Fixer les boulons essieu (11) aux supports des **roulettes de réglage (13)**, au moyen de l'orifice du support correspondant, comme indiqué.

REMARQUE : Si la position de hauteur de coupe est modifiée par le levier de hauteur de coupe, il faudra placer les roulettes de réglage dans l'orifice correct afin de maintenir une hauteur de coupe égale.

Mise à niveau du bloc de coupe (Figures 13 et 14)

Si le bloc de coupe est à niveau, la lame coupera plus facilement et la pelouse n'en sera que plus belle.



AVERTISSEMENT : avant toute inspection, ajustement, ou réparation de la tondeuse, débrancher le **câble de la bougie** et l'enlever afin de prévenir tout démarrage de la tondeuse accidentel.

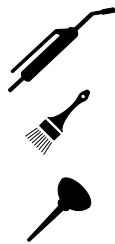
1. S'assurer que la tondeuse est sur une surface plate et dure.
2. Vérifier la pression des pneus. Si elle ne convient pas, le bloc de coupe ne tondra pas de manière égale partout. La pression convenable est de 0,97 BAR (14 PSI) pour les roues avant et de 0,69 BAR (10 PSI) pour les roues arrière.
3. Si votre modèle de tondeuse en dispose, il convient de retirer les roulettes de réglage.
4. (Figure 13) Placer le **levier de hauteur de coupe (1)** à la position de **réglage de mise à niveau (2)**.



AVERTISSEMENT : le **levier de hauteur de coupe (1)** est monté sur ressort. Veiller à ce qu'il soit verrouillé à la position de réglage de mise à niveau (2).

5. (Figure 14) Relâcher les **boulons d'ajustement de droite et de gauche (1)**. Pousser vers le bas le bloc de coupe. S'assurer que chaque côté du bloc de coupe repose sur une surface plate. Par ailleurs, s'assurer que les **liaisons de levée (2)** sont lâches et qu'elles peuvent se déplacer facilement de haut en bas.
6. Appuyer sur les **liaisons de levée (2)** et serrer les **boulons d'ajustement (1)**. Si nécessaire, utiliser une clé pour serrer les **boulons d'ajustement (1)**.
7. (Figure 13) Soulever le **levier de hauteur de coupe (1)** de la position de **réglage de mise à niveau (2)** vers la position de **hauteur de coupe**.
8. Si votre modèle de tondeuse en dispose, il convient de fixer les roulettes de réglage.
9. Tondre sur une courte distance. Si la hauteur n'est pas à niveau partout, répéter les étapes ci-dessus.

Lubrification (Figure 15)



Modèles avec assemblages à graisser : Lubrifier avec un canon à graisse.

Graisser avec un pinceau dans les zones indiquées.

Lubrifier les zones indiquées avec de l'huile à moteur.

REMARQUE : appliquer de la graisse sur la direction.

ATTENTION : si la tondeuse est en marche sur des zones sèches de sable, utiliser un aérosol à la poudre graphite pour lubrifier la tondeuse.

Vérification des pneus

Vérifier la pression des pneus. Des pneus trop gonflés rendront la tonte cahoteuse. De même, une mauvaise pression des pneus empêchera une coupe égale. La pression convenable est de 0,97 BAR (14 PSI) pour les roues avant et de 0,69 BAR (10 PSI) pour les roues arrière.

Remplacement de la courroie motrice

1. Enlever le bloc de coupe. Cf. les instructions dans "Retrait du bloc de coupe".
2. (Figure 16) Retirer la poulie libre moyenne (4).
3. Détacher le ressort de la poulie (7).
4. Retirer la poulie libre (8) et l'entretoise (9).
5. Retirer la poulie libre en V (5) et l'entretoise (13).
6. Retirer la courroie motrice (1) de la poulie motrice (6).
7. (Figure 17) Pour retirer la courroie motrice (1) de la double poulie (2), tirer l'extrémité avant de la courroie en la faisant passer par dessous la double poulie (2), puis la ramener dans le sens inverse en la faisant passer entre la double poulie et la plaque de la colonne de direction (3).
8. (Figure 11) Retirer le panneau d'accès (10).
9. Retirer les deux boulons (11) fixant la colonne de direction (12). Soulever le volant et la colonne de direction (12). Tirer la courroie motrice (1) en la faisant passer par dessous la colonne de direction (12).
10. Retirer la courroie motrice (1). Pour obtenir la pièce de rechange correcte ou toute assistance, s'adresser au centre de maintenance de votre localité.
11. Pour procéder à l'installation de la courroie motrice, suivre les étapes ci-dessus dans le sens inverse.
12. (Figure 16) Vérifier l'itinéraire de la courroie motrice (1). Veiller à ce que la courroie motrice (1) soit correctement installée sur les poulies libres.

13. Avant de commencer à utiliser la tondeuse, vérifier le réglage de l'embrayage. Voir les instructions figurant dans la rubrique "Vérification et réglage de l'embrayage".
14. Remonter le carter de la tondeuse. Voir les instructions figurant dans la rubrique "Montage du carter de la tondeuse".

Remplacement de la courroie motrice (Figure 10)

1. Retirer le bloc de coupe. Cf. les instructions dans "Retrait du bloc de coupe".
2. Retirer l'applicateur de courroie (1) de la poulie accessoire (2) et retirer la courroie motrice (3).
3. Retirer l'applicateur de courroie (4) de la poulie de droite (5) et retirer la courroie motrice (3).
4. Retirer l'applicateur de poulie (4) de la poulie de gauche (6) et retirer la courroie motrice (3). Un centre agréé peut remplacer les pièces pour vous ou vous apporter de l'aide.
5. Pour installer la courroie motrice, inverser les étapes ci-dessus.

Retrait du bloc de coupe (Figure 22)

1. Placer la commande de rotation de la lame (1) en position DESENGAGE.
2. Placer le levier de hauteur de coupe (2) à la position de réglage du niveau de coupe.



La manette de levage est équipée d'un ressort de rappel. S'assurer que la manette de levage est verrouillée en position RÉGLAGE DU NIVEAU DE COUPE.

3. Retirer les goupilles et les rondelles des manettes de réglage (3). Cf. illustrations "C" et "D".
4. Retirer les goupilles et les rondelles des attaches à la suspension (4). Cf. illustrations "A" et "B".
5. Débrancher le ressort de traction (5) de la tringle de commande de la lame (6). Cf. l'illustration "E".
6. Débrancher la suspension avant (9) du support de l'axe. Cf. l'illustration "F".
7. Retirer la courroie motrice (7) de la poulie accessoire (8).
8. Eloigner le bloc de coupe de la droite de la tondeuse.
9. Pour installer le bloc de coupe, inverser les étapes ci-dessus.

Remplacement du fusible

Si le fusible ne marche plus, le moteur ne demarrera pas. Retirer le fusible et le remplacer par un fusible pour automobile de 15 amp.

Entreposage (plus de 30 jours)

A la fin de chaque année, préparer la tondeuse de la manière suivante :

1. Vidanger l'essence du carburateur et du réservoir. Changer l'huile du moteur. Cf. les instructions du fabricant du moteur.
2. Nettoyer complètement la tondeuse.
3. Charger la batterie.

Remplacement des pièces détachées

Le remplacement de pièces détachées est montré soit au dos de ce manuel, soit dans un manuel séparé de pièces de rechange.

Il est vivement recommandé de n'utiliser que des pièces autorisées par le fabricant ou approuvées. La lettre placée à la fin du numéro de la pièce vous signale le type d'affinage pour la pièce, C pour le chrome, Z pour le zinc, PA pour une pièce achetée. Il est important de le joindre lors de la commande d'une pièce. Ne pas utiliser de pièces tractées ou d'accessoires non spécifiquement prévus pour la tondeuse. Pour obtenir la pièce de remplacement adéquate, il vous faut fournir le numéro du modèle de la tondeuse (Cf. plaque indicatrice).

Les pièces de rechange, à l'exception faite du moteur, des transmissions, de la boîte-pont ou du différentiel, sont disponibles depuis le magasin d'où la tondeuse a été achetée, ou bien dans un atelier de service recommandé.

Si vous ne pouvez pas vous procurer les pièces ou ne connaissez personne pour dépanner ou veiller à l'entretien de la tondeuse, veuillez contacter :

HAYTER LIMITED,
Service Department,
Spellbrook,
Bishop's Stortford,
Hertfordshire. CM23 4BU.

MURRAY, INC.
International Sales
P.O. Box 268
Brentwood, Tennessee USA 37024
1-800-251-8007
Fax (615) 373-6633 Les appels en PCV ne seront pas acceptés.

Le remplacement des pièces comme le moteur, les transmissions, la boîte-pont ou le différentiel, sont disponibles depuis un service autorisé par le fabricant, dont l'adresse peut être trouvée dans les Pages jaunes. Par ailleurs, vous pouvez vous appuyer sur les garanties s'appliquant au moteur ou aux transmissions pour commander les pièces de rechange.

Lors de la commande, vous devrez fournir les informations suivantes :

- (1) Le numéro du modèle
- (2) Le numéro de série
- (3) Le numéro de la pièce
- (4) La quantité

TABLE DE DEPANNAGES

PROBLEME: le moteur ne démarre pas.

1. Suivez les étapes, "Démarrage du moteur" dans ce manuel.
2. Modèles à démarrage électrique : nettoyez les bornes de la batterie. Resserrez les câbles.
3. Veillez à ce qu'aucun câble ne soit lâche. Resserrez les interrupteurs de sécurité. (Voir le diagramme de câblage.)
4. Vidangez le réservoir d'essence. Nettoyez la conduite d'essence. Remplacez le filtre d'essence.
5. Retirez la (les) bougie(s). Placez l'accélérateur en position SLOW. Tournez la clé de contact en position ON. Essayez de démarrer le moteur plusieurs fois. Installez la bougie.
6. Changez la bougie.
7. Réglez le carburateur.

PROBLEME: le moteur ne tourne pas.

1. Suivez les étapes, "Démarrage du moteur" dans ce manuel.
2. Modèles à démarrage électrique : Chargez la batterie.
3. Remplacez le fusible.
4. Veillez à ce que le faisceau de câbles ne soit pas endommagé et que les raccords tiennent bien. Réparez le câble endommagé.
5. Modèles à démarrage électrique : remplacez la solénoïde. Modèles à démarrage manuel : remplacez le module.

PROBLEME: le moteur a du mal à démarrer.

1. Réglez le carburateur.
2. Changez la bougie.
3. Remplacez le filtre à essence.

PROBLEME: le moteur tourne mal ou perd de sa puissance.

1. Vérifiez l'huile.
2. Nettoyez le filtre à air.
3. Nettoyez l'écran filtre à air.
4. Remplacez la bougie.
5. Le moteur force. Baissez la vitesse inférieure.
6. Réglez le carburateur.
7. Changez le filtre à essence.

PROBLEME: le moteur tourne mal à grande vitesse.

1. Changez la bougie.

2. Ajustez la commande des gaz.
3. Nettoyez le filtre à air.
4. Changez le filtre à essence.

PROBLEME: le moteur s'arrête lorsque les lames sont engagées.

1. Veiller à ce que le faisceau de câbles ne soit pas endommagé et que les raccords tiennent bien. Réparer le câble endommagé.
2. Le bac à herbe doit être monté (ne s'applique qu'aux modèles équipés de bac à herbe à décharge arrière).

PROBLEME: en pente, le moteur s'arrête.

1. Tondez en inclinaison ascendante ou descendante mais jamais en diagonal.

PROBLEME: le moteur ne tourne pas à vide.

1. Changez la bougie.
2. Nettoyez le filtre à air.
3. Réglez le carburateur.
4. Ajustez la commande des gaz.
5. Videz le réservoir d'essence. Nettoyez le conduit d'essence. Changez le filtre à essence.

PROBLEME: un moteur chaud peut entraîner une perte de régime.

1. Nettoyez l'écran filtre à air.
2. Vérifiez l'huile.
3. Réglez le carburateur.
4. Changez le filtre à essence.

PROBLEME: vibration excessive.

1. Changez la lame.
2. Veillez à ce que les boulons du moteur soient bien tous serrés.
3. Réduisez la pression des pneus.
4. Réglez le carburateur.
5. Veillez à ce que les courroies ou poulies soient en bon état. Remplacez-les si nécessaire.

PROBLEME: l'herbe n'est pas rejetée normalement.

1. Coupez le moteur. Nettoyez le bloc de coupe.
2. Relevez le niveau de coupe.
3. Remplacez-la par une (des) plus coupante(s).

4. Réduisez la vitesse au moyen du levier de vitesses.
5. Mettez la commande des gaz en position FAST.
6. Remplacez le ressort du le pignon libre de la lame.
7. Nettoyez le tube d'extention et le tube de raccord (ne s'applique qu'aux modèles équipés de bac à herbe à décharge arrière).

PROBLEME: le bloc de coupe ne coupe pas de manière égale.

1. Vérifiez la pression des pneus.
2. Ajustez le niveau du bloc de coupe.
3. Vérifiez l'axe avant. S'il ne pivote pas facilement, desserrez le(s) boulon(s) qui le maintient(nent).

PROBLEME: les lames ne tournent pas.

1. Vérifiez la courroie motrice. Assurez-vous que la courroie soit bien installée.
2. Changez la courroie motrice.

PROBLEME: la tondeuse ne bouge pas lorsque le frein est relâché et lorsque la pédale de commande des vitesses est enfoncée.

1. Vérifiez la courroie motrice. Assurez-vous que la courroie soit bien installée.
2. Réglez l'embrayage.
3. Changez la courroie motrice.
4. Relâchez la manette de coupure de transmission.

PROBLEME: la tondeuse ralentit ou s'arrête lorsque la pédale de commande des vitesses est enfoncée.

1. Réglez l'embrayage.
2. Changez la courroie motrice.

PROBLEME: lorsque la pédale de frein est relâchée, on perçoit un bruit au niveau de la courroie.

1. Un bruit temporaire de la courroie n'affecte pas le fonctionnement de la tondeuse. Si le bruit persiste, inspectez le cheminement de la courroie. Assurez-vous que la courroie soit bien à l'intérieur des guides de courroie.
2. Si le bruit persiste, réglez l'embrayage.

PROBLEME: les roues arrière patinent sur un terrain inégal.

1. Vérifiez l'essieu avant. S'il ne pivote pas facilement, rendez le(s) boulon(s) qui le maintient(nent) plus lâche(s).

INHALT

INTERNATIONALE SYMBOLE	24
INFORMATIONEN FÜR DEN EIGENTÜMER	25
SICHERHEITSHINWEISE	25
MONTAGE	26
BETRIEB	28
WARTUNG	30
STÖRUNGSBEHEBUNG	33

MURRAY, INC. BESCHRÄNKTE ZWEIJÄHRIGE GARANTIE

Die Firma Murray Ohio Manufacturing Company (Murray) garantiert dem ursprünglichen Käufer, daß dieser Mäher bei normalem Gebrauch keine Material- oder Ausführungsfehler aufweist; diese Garantie ist befristet auf **zwei (2) Jahre** ab dem Kaufdatum. Sie gilt jedoch nicht für Motoren, Zubehörteile (wie z.B. Schneebälser, Schneepflugscharen, Grasfangsäcke und Pflüge), Getriebe, Batterien und Verschleißteile (mit Ausnahme der unten genannten) oder Hinterachsen mit Kardanwelle, da die Hersteller dieser Teile für sie Garantie leisten und Wartung durch autorisierte Kundendienststellen dieser Hersteller zur Verfügung steht. Zusätzliche Informationen sind den Garantieunterlagen für diese Teile zu entnehmen. Falls Sie nicht sicher sind, ob Ihr Mäher mit einem dieser Teile ausgerüstet ist, kann Ihr Händler Ihnen diese Informationen vor dem Kauf des Mähers geben. Unter den Bedingungen dieser befristeten Garantie werden wir, nach unserem Ermessen, während der Garantiezeit die unter dieser Garantie stehenden Teile kostenfrei für den ursprünglichen Käufer ersetzen oder reparieren.

Falls die Batterie sich innerhalb von neunzig (90) Tagen nach dem Kaufdatum als fehlerhaft erweist, werden wir sie kostenlos ersetzen. Wird ein Batteriefehler nach mehr als neunzig (90) Tagen, aber innerhalb einer Frist von einhundertzwanzig (120) Tagen nach dem Kaufdatum festgestellt, werden wir sie gegen Zahlung des halben Einzelhandelspreises einer neuen Batterie zum Zeitpunkt des Umtauschs ersetzen. Verschleißteile werden definiert als Riemen, Messer, Messerpaßstücke, Luftreifen, Scheinwerfer und Sitzbekleidungen. Wir garantieren, daß diese Teile im gelieferten Zustand keine Material- oder Ausführungsfehler aufweisen. Anspruch auf Reparatur oder Ersatz von Verschleißteilen muß innerhalb von dreißig (30) Tagen nach dem Kaufdatum erhoben werden. Ansprüche aufgrund von Schäden, die durch Gebrauch oder Mißbrauch entstanden sind, werden nicht anerkannt. Diese **zweijährige beschränkte Garantie** legt alle Ihnen zustehenden Ansprüche fest; diese Garantie ist jedoch nichtig und trifft nicht zu, falls ein Mäher falsch eingestellt, umgebaut, falsch gebraucht oder im Leihgeschäft oder sonst für gewerbliche Zwecke gebraucht worden ist. Die Garantie erstreckt sich nicht auf geringfügige mechanische Einstellungen, die nicht durch einen Material- oder Ausführungsfehler verursacht sind. Anweisungen zu solchen Einstellungen sind der Bedienungsanleitung zu entnehmen. Um einen Anspruch unter dieser **zweijährigen beschränkten Garantie** geltend zu machen, ist der Mäher (oder, falls im voraus vereinbart, das fehlerhafte Teil) zur Ihnen am nächsten gelegenen Kundendienststelle zu bringen; die Kaufunterlagen sind mitzubringen. Sie können die Adresse der nächstgelegenen Kundendienststelle vom in Ihren

Unterlagen aufgeführten Regionalen Ersatzteillieferungszentrum erfahren oder in den Gelben Seiten Ihres örtlichen Telefonbuchs finden. Wenn Sie den kompletten Mäher zur Kundendienststelle bringen, werden wir ihn reparieren. Haben wir vereinbart, nur das fehlerhafte Teil zur Kundendienststelle zu bringen, werden wir dieses reparieren oder ersetzen. Falls das Getriebe oder das Differentialgetriebe (im Gegensatz zur Hinterachse mit Kardanwelle) Fehler aufweist, muß das gesamte Getriebe bzw. Differentialgetriebe zur Kundendienststelle gebracht werden, da diese Einheiten keine durch den Benutzer zu wartenden Teile enthalten.

Diese **zweijährige beschränkte Garantie** gewährt Ihnen bestimmte gesetzliche Rechte; fernerhin stehen Ihnen eventuell auch weitere, regional variierende Rechte zu. **Diese beschränkte Garantie ersetzt jegliche andere Sachmängelhaftung und gesetzliche Gewährleistung einschließlich gesetzlicher Garantieverpflichtung und Eignungsgarantie.** Bitte schreiben Sie für weitere Informationen zu dieser Garantie und für Hilfe im Erhalt von Kundendienst an:

HAYTER LIMITED,
Service Department,
Spellbrook,
Bishop's Stortford,
Hertfordshire. CM23 4BU.

MURRAY, INC.
International Sales
P.O. Box 268
Brentwood, Tennessee USA 37024
1-800-251-8007
Fax (615) 373-6633

INTERNATIONALE SYMBOLE

WICHTIG: Die folgenden Symbole befinden sich auf Ihrem Gerät oder in der mit dem Produkt gelieferten Dokumentation. Machen Sie sich vor der Inbetriebnahme des Geräts mit allen Symbolen vertraut.

HINWEIS: Abbildungen und Symbole finden sich auf Seite 2ff.

Sicherheitswarnzeichen (Abb. 23)

- 1 Achtung
- 2 WICHTIG: Vor dem Betrieb dieser Maschine das Benutzerhandbuch lesen.
- 3 ACHTUNG: Ausgeworfene Gegenstände. Umstehende Personen fernhalten. Vor dem Betrieb dieser Maschine das Benutzerhandbuch lesen.
- 4 ACHTUNG: Maschine nicht auf Hängen mit einer Neigung von mehr als 10 Grad ein-

setzen.

- 5 GEFAHR: Personen, insbesondere Kinder, vom Gerät fernhalten.
- 6 GEFAHR: Hier nicht auftreten.
- 7 GEFAHR: Füße und Hände von rotierendem Messer fernhalten.
- 8 Gemäß Richtlinie 2000/14/EG, bestimmte Luftschalleistungspegel von 100 dB(A).
- 9 GEFAHR: Vor der Wartung des Geräts Zündkabel abziehen.
- 10 ACHTUNG: Heiße Oberfläche.
- 11 ACHTUNG: Bei Anschluß und Abnahme von Zubehör Vorsicht wahren.
- 12 ACHTUNG: Finger schützen - Quetschungsgefahr.
- 13 WICHTIG: Zum Justieren des Mähergehäuses die Anweisungen im Benutzerhandbuch befolgen.

- 14 ACHTUNG: vom Rasenmähermesser Abstand halten, solange der Motor läuft.

Steuerung und Betrieb (Abb. 24)

- 1 Anlassen des Motors
- 2 Scheinwerfer
- 3 Motor in Betrieb
- 4 Abschalten des Motors
- 5 Motor in Betrieb
- 6 Bremse
- 7 Parkbremse
- 8 Kupplung
- 9 Langsam
- 10 Schnell
- 11 Starterklappe
- 12 Öl
- 13 Messerrotationssteuerung
- 14 Anheben
- 15 Treibstoff

MODEL NO.: 425607x52A



SKU No.:

YYYY MM DD: _____

SERIAL NO.:

2750 min-1

196 kg

Assembled in Lawrenceburg, TN 38464, U.S.A.

Gemäß Richtlinie 98/37/EG bestimmte Schwingungswerte.

Schwingung gemäß BS EN 1032: Sitz < 0,5 m/s²,
rechtes Trittbrett 1,05 m/s², linkes Trittbrett 1,69 m/s²

Schwingung gemäß BS EN 1033: Steuerrad 0,95 m/s²

Werte bestimmt bei ortsfestem Betrieb des Geräts mit 2750 min⁻¹ auf einer Betonfläche und mit Benutzer in Betriebsposition.

Gemäß Richtlinie 2000/14/EG, bestimmte Luftschalleistungspegel von 100 dB(A).

Schalldruckpegel an der Betriebsposition des Benutzers 83 dB.

Werte bestimmt am Ohr gemäß den Spezifikationen von EN 836/A2:2001.

INFORMATIONEN FÜR DEN EIGENTÜMER

Machen Sie sich mit dem Produkt vertraut: Durch eine gute Kenntnis des Geräts und seiner Funktion können Sie die besten Leistungen erzielen. Vergleichen Sie beim Lesen dieses Handbuchs die Abbildungen mit dem Gerät. Machen Sie sich mit den Positionen und Funktionen der Stellteile vertraut. Befolgen Sie zur Vermeidung von Unfällen Bedienungsanweisungen und Sicherheitsvorschriften. Bewahren Sie dieses Handbuch als Nachschlagewerk auf.



ACHTUNG: Beachten Sie dieses Symbol - es weist auf wichtige Sicherheitsmaßregeln hin. Es bedeutet: „Gefahr! Seien Sie aufmerksam! Ihre Sicherheit ist gefährdet.“

Verantwortung des Eigentümers



ACHTUNG: Diese Schneidemaschine ist in der Lage, Hände und Füße zu amputieren und Gegenstände auszuwerfen. Die Nichtbeachtung der folgenden Sicherheitsanweisungen kann zu schwerwiegenden Verletzungen oder zum Tode des Benutzers bzw. umstehender Personen führen.

Es ist die Verantwortung des Eigentümers, die nachfolgenden Anweisungen zu befolgen.

SICHERHEITSHINWEISE

für Sichelmäher mit Fahrersitz

Schulung

- Lesen Sie die Gebrauchsanweisung sorgfältig. Machen Sie sich mit den Stellteilen und dem richtigen Gebrauch der Maschine vertraut.
- Erlauben Sie niemals Kindern und Personen, die mit diesen Anweisungen nicht vertraut sind, den Rasenmäher zu benutzen. Örtliche Bestimmungen können das Mindestalter des Benutzers festlegen.
- Mähen Sie niemals, während Personen, besonders Kinder, oder Tiere in der Nähe sind.
- Beachten Sie, daß der Benutzer für Unfälle und Gefährdung anderer auf seinem Grundstück befindlicher Personen verantwortlich ist.
- Lassen Sie keine Personen mitfahren.
- Jeder Fahrer sollte sich bemühen, fachkundige und praktische Unterweisungen zu bekommen. Schwerpunkte dieser Unterweisung sollten sein:
 - Einsicht zu erlangen für Sorgfalt und Konzentration während der Arbeit mit Maschinen mit Fahrersitz;
 - daß bei einer Maschine mit Fahrersitz, die auf einem Hang abgeleitet, eine Kontrolle nicht durch Betätigung der Bremse erreicht werden kann. Die wesentlichen Gründe für unkontrolliertes Fahrverhalten sind:
 - ungenügende Haftung der Räder;
 - zu schnelles Fahren;
 - unangepaßtes Bremsen;
 - der Arbeitsaufgabe nicht angepaßtes Arbeitsgerät;
 - mangelnde Kenntnisse über Bodenverhältnisse, insbesondere an Hängen;
 - nicht korrekte Anhängung und Lastverteilung.

Vorbereitende Maßnahmen

- Während des Mähens sind immer festes Schuhwerk und lange Hosen zu tragen. Mähen Sie nicht barfußig oder in leichten Sandalen.
- Überprüfen Sie das Gelände, auf dem die Maschine eingesetzt wird, und entfernen Sie alle Gegenstände, die erfaßt und weggeschleudert werden können.
- WARNUNG - Benzin ist hochgradig entflammbar.**

- Bewahren Sie Benzin nur in den dafür vorgesehenen Behältern auf.
 - Tanken Sie nur im Freien und rauchen Sie während des Einfüllvorganges nicht.
 - Benzin ist vor dem Starten des Motors einzufüllen. Bei laufendem Motor oder heißer Maschine darf weder der Tankverschluß geöffnet noch Benzin nachgefüllt werden.
 - Falls Benzin übergelaufen ist, darf kein Versuch unternommen werden, den Motor zu starten. Statt dessen ist die Maschine von der benzinverschmutzten Fläche zu entfernen. Jeglicher Zündversuch ist zu vermeiden, bis sich die Benzindämpfe verflüchtigt haben.
 - Alle Treibstofftanks und -behälter sind sicher zu verschließen.
- Ersetzen Sie defekte Schalldämpfer.
 - Vor dem Gebrauch ist immer durch Sichtkontrolle zu prüfen, ob die Schneidwerkzeuge, Befestigungsbolzen und die gesamte Schneideinheit abgenutzt oder beschädigt sind. Zur Vermeidung einer Unwucht dürfen abgenutzte oder beschädigte Schneidwerkzeuge und Befestigungsbolzen nur satzweise ausgetauscht werden.
 - Achten Sie darauf, daß bei Maschinen mit mehreren Schneidwerkzeugen die Bewegung eines Schneidwerkzeuges zu Drehungen der übrigen Schneidwerkzeuge führen kann.
- Ändern Sie nicht die Reglereinstellung des Motors und überdrehen Sie ihn nicht. Ein Betreiben der Maschine mit übermäßiger Geschwindigkeit kann die Unfallgefahr erhöhen.
 - Bevor Sie Ihren Fahrersitz verlassen:
 - kuppeln Sie die Antriebe aus und senken Sie die Anbaugeräte ab;
 - legen Sie den Leerlauf ein und betätigen Sie die Parkbremse;
 - stellen Sie den Motor ab und ziehen Sie den Zündschlüssel ab.
 - Kuppeln Sie den Antrieb zu den Anbaugeräten aus, stellen Sie den Motor ab und ziehen Sie das Zündkabel bzw. den Zündschlüssel ab,
 - bevor Sie Blockierungen lösen oder eine Verstopfung im Auswurfkanal beseitigen;
 - bevor Sie den Rasenmäher überprüfen, reinigen oder warten;
 - wenn ein Fremdkörper getroffen wurde. Suchen Sie nach Beschädigungen am Rasenmäher und führen Sie die erforderlichen Reparaturen durch, bevor Sie erneut starten und mit dem Rasenmäher arbeiten;
 - falls die Maschine übermäßig zu vibrieren beginnt (sofort überprüfen).
 - Während des Transports oder bei Nichtgebrauch des Mähers sind die Antriebe oder Anbaugeräte auszukuppeln.
 - Stellen Sie den Motor ab und kuppeln Sie den Antrieb zu den Anbaugeräten aus,
 - bevor Sie nachtanken;
 - bevor Sie die Grasfangeinrichtung entfernen;
 - bevor Sie eine Veränderung der Höhenverstellung vornehmen, sofern dies nicht von der Benutzerposition aus möglich ist.
 - Beim Auslaufen der Maschine ist die Drosselklappe zu schließen und, falls die Maschine einen Benzinsperrhahn besitzt, ist dieser nach dem Mähen zu schließen.
 - Stellen Sie vor und während des Rückwärtsfahrens sicher, daß sich keine kleinen Kinder im **Bereich hinter und unter dem Rasentraktor** befinden.
 - Wahren Sie besondere Sorgfalt, wenn Sie sich unübersichtlichen Ecken, Büschen, Bäumen oder anderen Objekten, die die Sicht einschränken können, nähern.

Betrieb

- Betreiben Sie den Motor nicht in geschlossenen Räumen; es besteht die Gefahr der Konzentration gefährlicher Kohlenmonoxidämpfe.
- Mähen Sie nur bei Tageslicht oder guter künstlicher Beleuchtung.
- Bevor Sie den Motor starten wollen, kuppeln Sie alle Schneidwerkzeuge und Antriebe aus und schalten Sie in Leerlauf.
- Befahren Sie keine Hänge größer als 10 Grad.
- Beachten Sie, daß es „sichere Hänge“ nicht gibt. Besondere Aufmerksamkeit ist bei der Fahrt auf grasbewachsenen Böschungen geboten. Um ein Umstürzen zu vermeiden, sollten Sie:
 - nicht anhalten oder plötzlich starten, wenn Sie hangauf- oder hangabwärts fahren;
 - langsam einkuppeln, den Motor eingekuppelt lassen insbesondere beim Hangabwärts-Fahren;
 - die Fahrgeschwindigkeit auf Hängen und bei engen Wendungen niedrig halten;
 - aufmerksam auf Hügel, Senkungen und andere nicht sichtbare Gefahren achten;
 - niemals quer zum Hang mähen, es sei denn, die Rasenmäherkonstruktion ist dafür ausgelegt.
- Wahren Sie Vorsicht beim Ziehen von Lasten oder wenn Sie schwere Ausrüstungen verwenden.
 - Benutzen Sie nur zugelassene Anhängervorrichtungen.
 - Nehmen Sie nur Lasten auf, die Sie sicher beherrschen.
 - Fahren Sie keine engen Kurven. Üben Sie Vorsicht beim Rückwärtsfahren.
 - Sofern in der Gebrauchsanweisung angegeben, benutzen Sie Gegen- oder Radgewichte.
- Achten Sie beim Überqueren und bei der Arbeit in der Nähe von Straßen auf den Autoverkehr.
- Halten Sie das Schneidwerkzeug an, bevor Sie andere Fläche als Gras überqueren.
- Achten Sie beim Gebrauch von Anbaugeräten darauf, daß Gras nicht in Richtung auf Dritte ausgeworfen wird und daß sich während des Mähens keine fremden Personen in Ihrer Nähe befinden.
- Benutzen Sie niemals den Rasenmäher mit beschädigten Schutzeinrichtungen oder ohne angebaute Schutzeinrichtungen.

Wartung und Lagerung

- Achten Sie darauf, daß bei Rasenmähern mit mehreren Schneidwerkzeugen die Bewegung eines Schneidwerkzeuges zu Drehungen der übrigen Schneidwerkzeuge führen kann.
- Wenn Sie den Rasenmäher parken, einlagern oder unbeachtet lassen, senken Sie die Schneidwerkzeuge ab, falls keine feste mechanische Sicherung verwendet wird.
- Halten Sie alle Muttern, Bolzen und Schrauben stets fest angezogen, um einen sicheren Betriebszustand des Geräts zu gewährleisten.
- Bewahren Sie niemals die Maschine mit Benzin im Tank in einem Gebäude auf, in dem die Treibstoffdämpfe offenen Flammen oder Funken ausgesetzt sein könnten.
- Lassen Sie den Motor vor der Lagerung in einem ungeschlossenen Raum abkühlen.
- Um Brandgefahr zu vermeiden, halten Sie Motor, Auspuff, Batteriekasten und den Bereich um den Kraftstofftank frei von Gras, Blättern oder austretendem Fett (Öl).
- Prüfen Sie regelmäßig die Grasfangeinrichtung auf Verschleiß oder Verlust der Funktionsfähigkeit.
- Aus Sicherheitsgründen sind abgenutzte oder beschädigte Teile zu ersetzen.
- Falls der Kraftstofftank zu entleeren ist, sollte dies im Freien erfolgen.

MONTAGE

Alle Befestigungsteile befinden sich im Teilebeutel. Bewahren Sie alle Teile und Materialien auf, bis das Gerät montiert ist.



ACHTUNG: Vor der Durchführung von Montage- und Wartungsarbeiten stets das Zündkabel abziehen.

HINWEIS: In dieser Betriebsanleitung beziehen sich die Begriffe „links“ und „rechts“ auf die Sitzposition des Benutzers auf dem Mäher.

HINWEIS: Abbildungen und Symbole finden sich ab Seite 2.

HINWEIS: Zur Montage der nachfolgend beschriebenen Einzelteile sind die in *Abb. 25* in voller Größe dargestellten Befestigungsteile zu verwenden.

Installation der Vorderräder (*Abb. 1*)

Mit einem Messer die vier Seiten des Transportbehälters aufschneiden. Die **Vorderräder (1)** innerhalb des Behälters installieren.

HINWEIS: Heben Sie das vordere Ende des Traktors mit einem Stück Holz von etwa 1,25 m Länge an. Bitten Sie eine andere Person, Ihnen beim Anheben des Traktors behilflich zu sein, falls Holz nicht verfügbar ist. **Vorsicht!** Lassen Sie den Traktor nicht fallen.

1. Vorderes Ende des Traktors anheben. Den Traktor mit einem Holzblock abstützen.
2. Sicherstellen, daß der **Ventilschaft (2)** zur Außenseite des Traktors weist. Das **Vorderrad (1)** auf die **Spindel (3)** schieben.
3. Jedes **Vorderrad (1)** mit **Unterlegscheibe (4)** und **Splint (5)** befestigen. Die Enden des **Splints (5)** auseinanderbiegen, um das **Vorderrad (1)** auf der **Spindel (3)** zu halten.
4. Nach der Installation der **Vorderräder (1)** den Traktor vom Stützblock heben. Den Traktor aus dem Transportbehälter schieben.
5. Falls der Traktor mit **Radkappen (6)** ausgerüstet ist, diese installieren. Sicherstellen, daß die **Radkappen (6)** durch die **Unterlegscheiben (4)** gesichert werden.

Montage des Mähergehäuses (*Abb. 22*)

1. Die **Messerrotationssteuerung (1)** in die Position **DISENGAGE** (Ausgekuppelt) bringen.
2. Den **Mähergehäusehebel (2)** in die Niveauregulierungsposition bringen.



ACHTUNG: Der Mähergehäusehebel steht unter Federspannung. Sicherstellen, daß der Mähergehäusehebel in der Position „**LEVEL ADJUSTMENT**“ (Niveauregulierungsposition) eingerastet ist.

3. Die **vordere Aufhängung (9)** mit Hilfe der Befestigungsteile am Mähwerk befestigen. Siehe Darstellung „H“.
4. Das Mähergehäuse unter die rechte Seite des Geräts schieben.
5. Den **Mäherantriebsriemen (7)** um die **Stapelscheibe (8)** ziehen. Siehe Darstellung „G“. Sicherstellen, daß die keilförmige Seite des Mäherantriebsriemens auf die Stapelscheibe weist und daß der Mäherantriebsriemen nicht verdreht ist.

F-050744L

6. Die **vordere Aufhängung (9)** an der Achshalterung anbringen. Siehe Darstellung „F“.
7. Sicherstellen, daß der **Mäherantriebsriemen (7)** zwischen der **Stapelscheibe (8)** und den beiden **Riemenführungen (10)** verläuft. Siehe Darstellung „G“.
8. Die **Haltearme (4)** an die Höheneinstellungsbaugruppe montieren. Mit den Haarnadeln und Unterlegscheiben befestigen. Siehe Darstellungen „A“ und „B“.
9. Rechten und linken **Einstellarm (3)** an den Aufhängungsträgern anbringen. Mit den Haarnadeln und Unterlegscheiben befestigen. Siehe Darstellungen „C“ und „D“.
10. Die **Zugfeder (5)** an der **Messereinstellstange (6)** anbringen. Siehe Darstellung „E“.
11. Die **Messerrotationssteuerung** in die Position **ENGAGE** (Eingekuppelt) bringen. Sicherstellen, daß der **Mäherantriebsriemen** innerhalb aller **Riemenführungen** läuft.
12. Sicherstellen, daß das Mähergehäuse horizontal ausgerichtet ist. Siehe die Anweisungen zum „Justieren des Mähergehäuses“.
13. (*Abb NO TAG*) Die **Stützräder (12)** mit den Befestigungsteilen an den **Achsschrauben (11)** befestigen. Siehe Darstellung „I“.
14. Die Funktion der Messerrotationssteuerung überprüfen. Siehe die Anweisungen zur „Einstellung der Messerrotationssteuerung“.

Installation des Sitzes (*Abb. 2*)

1. Vorsichtig den Plastikbeutel vom **Sitz (1)** entfernen.
2. Die Löcher im **Sitzcharnier (2)** auf die Löcher im **Sitz (1)** ausrichten. Den **Sitz (1)** mit Hilfe der **Befestigungsteile (4)** und **(5)** am **Sitzcharnier (2)** befestigen.
3. Betriebsposition des **Sitzes (1)** überprüfen. Falls eine Einstellung des **Sitzes (1)** erforderlich ist, die beiden **Flügelschrauben (5)** lösen. Den **Sitz (1)** entlang der **Sitzeinstellöcher (3)** nach vorn bzw. hinten schieben. Die **Flügelschrauben (5)** anziehen.

Montage des Steuerrads (*Abb. 3*)

1. Sicherstellen, daß die Vorderräder nach vorn ausgerichtet sind.
2. Die **Hülse (3)** über die **Lenksäule (2)** schieben. Sicherstellen, daß sich die Manschette der **Hülse (3)** oben befindet.
3. Das **Steuerrad (1)** auf die **Lenksäule (2)** schieben.
4. Das **Steuerrad (1)** mit **Schraube (4)**, **Sicherungsscheibe (5)** und **Lenksäule (2)** befestigen.
5. Bei einigen Modellen findet sich eine **wahlfreie Einlage (7)** im Teilebeutel. Die **Einlage (7)** in der Mitte des **Steuerrads (1)** anbringen.

Wartungsfreie Batterie (*Abb. 4*)

WICHTIG: Vor dem Anschluß der Batteriekabel an die Batterie ist das Batteriedatum zu überprüfen. Das Batteriedatum zeigt an, ob die Batterie aufgeladen werden muß.

1. Das Batteriedatum auf der Oberseite und seitlich an der **Batterie (1)** suchen.

2. Falls die **Batterie (1)** vor dem Datum in Betrieb genommen wird, können die Batteriekabel ohne vorheriges Aufladen der **Batterie (1)** angeschlossen werden. Siehe „Installation der Batteriekabel“.
3. Falls die **Batterie (1)** nach dem Datum in Betrieb genommen wird, muß die **Batterie (1)** aufgeladen werden. Siehe „Aufladen der wartungsfreien Batterie“.

Aufladen der Batterie (*Abb. 4*)



ACHTUNG: Beim Aufladen der Batterie nicht rauchen. Die Batterie von Funken fernhalten. Die Dämpfe der Batteriesäure können eine Explosion verursachen.

1. **Batterie (1)** und **Batterietrog (3)** entfernen.
2. Schutzkappe von der Batterieklemme abnehmen.
3. Die **Batterie (1)** mit Hilfe eines 12-Volt-Batterieaufladegerätes aufladen. Für einen Zeitraum von einer Stunde mit 6 Ampere aufladen. Falls Ihnen kein Batterieaufladegerät zur Verfügung steht, ist die Batterie durch ein autorisiertes Kundendienstzentrum aufzuladen.
4. **Batterie (1)** und **Batterietrog (3)** installieren. Sicherstellen, daß sich die **positive (+) Klemme (4)** auf der linken Seite befindet.

Installation der Batteriekabel (*Abb. 4*)



ACHTUNG: Zur Vermeidung von Funkenbildung vor dem Anschluß des schwarzen Kabels das rote Kabel an die positive (+) Klemme anschließen.

1. Die Schutzkappe von der Batterieklemme abnehmen.
2. Die **Klemmenabdeckung (2)** auf das **rote Kabel (5)** schieben. Das **rote Kabel (5)** mit Hilfe der **Befestigungsteile (6)** und **(7)** an die **positive (+) Klemme (4)** anschließen.
3. Das **schwarze Kabel (8)** mit Hilfe der **Befestigungsteile (6)** und **(7)** an die **negative (-) Klemme** anschließen.

Überprüfen der Reifen

Überprüfen Sie den Luftdruck in den Reifen. Überdruck in den Reifen verursacht ein rauhes Fahrverhalten. Außerdem verhindert falscher Luftdruck einen gleichmäßigen Grasschnitt. Der ordnungsgemäße Reifendruck beträgt 0,97 BAR (14 PSI) für die Vorderräder und 0,69 BAR (10 PSI) für die Hinterräder. Für den Versand wurden die Reifen mit überhöhtem Druck ausgestattet.

Überprüfen des Mähergehäuse-Niveaus

Stellen Sie sicher, daß der Schnitt gleichmäßig ist. Betrachten Sie nach dem Mähen eines kurzen Abschnitts den gemähten Bereich. Sehen Sie die Anweisungen im Abschnitt „Ausrichtung des Mähergehäuses“ im Wartungsabschnitt dieser Betriebsanleitung ein, falls der Schnitt nicht gleichmäßig ist.

Vorbereitung des Motors

HINWEIS: Der Motor wird ab Werk mit Öl gefüllt geliefert. Überprüfen Sie den Ölstand. Füllen Sie nach Bedarf Öl nach.

In der Betriebsanleitung des Motorherstellers sind die Arten des zu verwendenden Treibstoffs und Öls aufgeführt. Lesen Sie vor Inbetriebnahme des Geräts die Informationen zu Sicherheit, Betrieb, Wartung und Lagerung.



ACHTUNG: Die Anweisungen des Motorherstellers bezüglich der Art des zu verwenden Treibstoffs und Öls sind zu befolgen. Stets Sicherheits-Treibstoffbehälter verwenden. Beim Auftanken des Geräts nicht rauchen. Nicht in umschlossenen Bereichen auftanken. Vor dem Tanken den Motor abschalten. Den Motor mehrere Minuten lang abkühlen lassen.

HINWEIS: Die tatsächliche konstante PS-Leistung ist auf Grund von Betriebsbeschränkungen und Umweltfaktoren wahrscheinlich niedriger.

Wichtig! Vor dem Mähen

- den Ölstand überprüfen;
- den Tank mit Treibstoff füllen;
- den Luftdruck der Reifen kontrollieren;
- die Einstellung des Mähergehäuses überprüfen;
- die Batteriekabel anschließen.

BETRIEB

HINWEIS: Abbildungen und Symbole finden sich auf Seite 2ff.

Position der Steuerelemente (Abb. 5)

Messerrotationssteuerung (1): Mit Hilfe der Messerrotationssteuerung wird die Rotation des Messers eingeleitet bzw. beendet.

Bremspedal (2): Mit dem Bremspedal kann das Gerät schnell angehalten werden.

Scheinwerferschalter (3): Der Scheinwerferschalter ist der erste Teil des Zündschalters. Zum Einsatz der Scheinwerfer bei laufendem Motor den Schlüssel in die Scheinwerferposition bringen.

Zündschalter (3): Mit Hilfe des Zündschalters wird der Motor ein- und ausgeschaltet.

Geschwindigkeitsregelpedal (4): Mit Hilfe des Geschwindigkeitsregelpedals können Geschwindigkeit und Fahrtrichtung des Geräts geändert werden.

Mähergehäusehebel (5): Mit Hilfe des Mähergehäusehebels wird die Schnitthöhe reguliert.

Parkbremshebel (6): Mit Hilfe des Parkbremshebels wird die Bremse beim Verlassen des Geräts festgesetzt.

Gashebel (7): Mit Hilfe des Gashebels wird die Motordrehzahl reguliert.

Automatische Antriebsunterbrechung (8): Mit Hilfe der automatischen Antriebsunterbrechung unter dem Sitz kann der Antrieb ausgekuppelt werden.

Zubehörteile

Dieses Gerät kann mit vielen Zubehörteilen eingesetzt werden. Das Gerät kann Rasenkehrmaschinen, Rasenlüfter, Düngerstreuer mit Trichter u.ä. ziehen. Es kann dagegen keine Zubehörteile ziehen, die in den Boden eingreifen, wie z.B. Pflüge, Scheibeneggen oder Kultivatoren.

Für Anhänger und gezogene Zubehörteile gilt ein Höchstgewicht von 113 kg.

Bedienung des Gashebels (Abb. 5)

Mit Hilfe des **Gashebels (7)** wird die Motordrehzahl reguliert.

1. Die Position SCHNELL ist durch eine Arretierung markiert. Für normalen Betrieb und beim Einsatz eines Grasfängers den Gashebel auf SCHNELL stellen. In dieser Position wird eine maximale Aufladung der Batterie erzielt, und der Motor läuft kühler.
2. Der Motorregler ist ab Werk auf maximale Leistungsabgabe eingestellt. Versuchen Sie nicht, die Drehzahl des Motors durch Einstellung des Motorreglers zu erhöhen.

Bedienung der Messerrotationssteuerung (Abb. 5)

Die **Messerrotationssteuerung (1)** dient der Einkupplung des (der) Messer(s).

1. Vor dem Anlassen des Motors sicherstellen, dass die **Messerrotationssteuerung (1)** sich in der Position AUSGEKUPPELT befindet.
2. Um die Rotation des (der) Messer(s) zu ermöglichen, die **Messerrotationssteuerung (1)** in die Position EINGEKUPPELT bringen.

F-050744L

HINWEIS: Falls sich der Motor abschaltet, wenn Sie das (die) Messer einkuppeln, ist der Sitzschalter nicht aktiviert. Stellen Sie sicher, dass Sie in der Mitte der Sitzfläche sitzen.

3. Um die Rotation des (der) Messer(s) zu beenden, die **Messerrotationssteuerung (1)** in die Position AUSGEKUPPELT bringen. Vor dem Verlassen der Bedienungsposition sicherstellen, dass das (die) Messer sich nicht mehr drehen.
4. Vor dem Befahren eines Gehweges oder einer Straße die **Messerrotationssteuerung (1)** in die Position AUSGEKUPPELT bringen.



ACHTUNG: Hände und Füße bei laufendem Motor stets von Messer, Ablenklechöffnung und Mähergehäuse fernhalten.

Einsatz des Geschwindigkeitsregelpedals (Abb. 5)

Das Antriebssystem verwendet ein hydrostatisches automatisches Getriebe. Das Hydrogetriebe ist äußerst leicht zu bedienen. Für diesen Antriebstyp ist weder ein Schalthebel noch ein Kupplungspedal erforderlich.

Geschwindigkeit und Fahrtrichtung werden durch ein einziges **Geschwindigkeitsregelpedal (4)** gesteuert, welches mit dem rechten Fuß bedient wird. Unter normalen Betriebsbedingungen das Bremspedal (links) nicht einsetzen. Das Bremspedal ist lediglich für schnelle Bremsmanöver in Notfallsituationen zu verwenden.

Vorwärtsfahrt

1. (**Abb. 20**) Die **automatische Antriebsunterbrechung (1)** muss sich in der Position **DRIVE (Antriebsposition, 2)** befinden.
2. Das Bremspedal langsam mit dem linken Fuß freigeben.
3. Den Gashebel in die Position SCHNELL bringen.
4. (**Abb. 19**) Langsam das **Geschwindigkeitsregelpedal (1)** bis zur gewünschten Geschwindigkeitseinstellung **nach vorn (4)** drücken.
5. Zur Erhöhung der Vorwärtsfahrtgeschwindigkeit das **Geschwindigkeitsregelpedal (1)** langsam nach vorn schieben. Zur Verminderung der Vorwärtsfahrtgeschwindigkeit das **Geschwindigkeitsregelpedal (1)** langsam freigeben, bis das Gerät die gewünschte Geschwindigkeit erreicht.

Rückwärtsfahrt

1. Nach hinten schauen.
2. Langsam das **Geschwindigkeitsregelpedal (1)** in die Position **RÜCKWÄRTS (2)** bringen.

Ändern der Fahrtrichtung

VORSICHT: Zum Ändern der Fahrtrichtung niemals das Bremspedal (links) einsetzen. Stets nur das **Geschwindigkeitsregelpedal** verwenden.

1. Langsam den Fuß vom **Geschwindigkeitsregelpedal (1)** nehmen. Das **Geschwindigkeitsregelpedal (1)** kehrt automatisch in die **Leerlaufposition (NEUTRAL, 3)** zurück.
2. Nach dem Anhalten des Geräts langsam das **Geschwindigkeitsregelpedal (1)** auf die gewünschte Fahrtrichtung einstellen.

Auskuppeln des Getriebes (Abb. 20)

Zum Schieben des Geräts das Getriebe mit Hilfe der **automatischen Antriebsunterbrechung (1)** auskuppeln. Die **automatische Antriebsunterbrechung (1)** befindet sich unter dem Sitz.

1. Der Motor muss abgeschaltet sein.
2. Den Sitz anheben. Die **automatische Antriebsunterbrechung (1)** befindet sich unter dem Sitz.
3. Die **automatische Antriebsunterbrechung (1)** auf die Position **PUSH (Schieben, 3)** setzen und einrasten. Das Getriebe ist nun *ausgekuppelt*, und das Gerät kann geschoben werden.

HINWEIS: Bei kaltem Wetter wird das Schieben des Geräts durch die hohe Viskosität des Getriebeöls erschwert.

4. Zum Einkuppeln des Getriebes die **automatische Antriebsunterbrechung (1)** ausrasten. Das Getriebe ist nun *engerückt* und betriebsbereit.

Bedienung der Parkbremse (Abb. 5)

1. Das **Bremspedal (2)** vollständig nach vorn drücken.
2. Den **Parkbremshebel (6)** anheben.
3. Den Fuß vom **Bremspedal (2)** nehmen und anschließend den **Parkbremshebel (6)** freigeben. Sicherstellen, dass die Parkbremse das Gerät in Position hält.
4. Zum Lösen der **Parkbremse (6)** das **Bremspedal (2)** vollständig nach vorn drücken. Die Parkbremse wird automatisch gelöst.



ACHTUNG: Vor dem Verlassen der Bedienungsposition die **Parkbremse anziehen**. Die **Messerrotationssteuerung** in die Position **AUSGEKUPPELT** bringen. **Motor abschalten** und **Zündschlüssel abziehen**.

Einstellen der Schnitthöhe (Abb. 5)

Heben bzw. senken Sie zum Einstellen der Schnitthöhe den **Mähergehäusehebel (5)** folgendermaßen:

1. **Mähergehäusehebel (5)** zum Absenken des Mähergehäuses nach vorn, zum Anheben des Mähergehäuses nach hinten schieben.
2. Beim Befahren eines Gehweges oder einer Straße den **Mähergehäusehebel (5)** in die höchste Position und die **Messerrotationssteuerung** in die Position **EINGEKUPPELT** bringen.

Anhalten des Geräts (Abb. 5)

1. Langsam den Fuß vom **Geschwindigkeitsregelpedal (4)** nehmen. Das **Geschwindigkeitsregelpedal (1)** kehrt automatisch in die Leerlaufposition (NEUTRAL) zurück, und das Gerät hält an.
2. Die **Messerrotationssteuerung (1)** in die Position **EINGEKUPPELT** bringen.
3. Die **Parkbremse (6)** anziehen.



ACHTUNG: Sicherstellen, dass die **Parkbremse** das Gerät in Position hält.

4. Den **Gashebel (7)** in die Position **LANGSAM** bringen.
5. Zum Abschalten des Motors den **Zündschlüssel (3)** in die Position **OFF (Aus)** drehen. Den Schlüssel abziehen.

Fahren ohne Einsatz des Schneidwerks

Befolgen Sie die folgenden Schritte, wenn Sie das Gerät ohne Einsatz des Schneidwerks fahren müssen.

1. Die Messerrotationssteuerung in die Position AUSGEKUPPELT bringen.
2. Den Mähergehäusehebel auf die höchste Position setzen.
3. Den Gashebel auf eine Position zwischen LANGSAM und SCHNELL bringen.
4. Langsam das Geschwindigkeitsregelpedal bis zur gewünschten Geschwindigkeitseinstellung nach vorn schieben.

Einsatz mit dem Mähergehäuse

WICHTIG: Setzen Sie beim Betrieb mit dem Mähergehäuse den Gashebel stets in die Position SCHNELL.

1. Den Motor anlassen.
2. Den Mähergehäusehebel auf die gewünschte Schnitthöhe einstellen. Bei hohem bzw. dichtem Gras zuerst in der höchsten Position mähen und dann das Mähergehäuse auf eine niedrigere Position absenken.
3. Den Gashebel in die Position LANGSAM bringen.
4. Die Messerrotationssteuerung langsam in die Position EINGEKUPPELT bringen.
5. Den Gashebel in die Position SCHNELL bringen.
6. Das Geschwindigkeitsregelpedal langsam auf die gewünschte Geschwindigkeitseinstellung bringen.
HINWEIS: Beim Mähen in schwerem Gras oder mit einem Grasfänger langsam vorwärts fahren.
7. Sicherstellen, dass der Schnitt nach wie vor gleichmäßig ist. Nach dem Mähen eines kurzen Abschnitts den gemähten Bereich betrachten. Die Anweisungen im Abschnitt „Justieren des Mähergehäuses“ im Wartungsabschnitt dieser Betriebsanleitung einsehen, falls der Schnitt nicht gleichmäßig ist.



ACHTUNG: Um sicherzustellen, dass das Gerät kontrollierbar bleibt, stets eine sichere Geschwindigkeit wählen.

Einsatz auf Böschungen



ACHTUNG: Niemals Hänge hinauf- oder hinabfahren, deren Steigung ein gerades Zurücksetzen nicht erlaubt. Das Gerät niemals quer zum Hang fahren.

1. Die Geschwindigkeit ausschließlich mit dem Geschwindigkeitsregelpedal kontrollieren. Auf Hängen das Bremspedal nicht einsetzen.
2. Zur Vermeidung von Unfällen die Einstellung des Geschwindigkeitsregelpedals langsam ändern. Abrupte Richtungs- und Geschwindigkeitsänderungen vermeiden.
3. Zur Verringerung der Geschwindigkeit bei der Vorwärtsfahrt hangabwärts das Geschwindigkeitsregelpedal langsam freigeben, bis das Gerät die gewünschte Fahrgeschwindigkeit erreicht.

F-050744L

Anhalten auf Hängen

1. Auf Hängen ist das Anhalten zu vermeiden. Falls ein Nothalt erforderlich wird, den rechten Fuß vom Geschwindigkeitsregelpedal nehmen und schnell das linke Bremspedal herunterdrücken.
2. Die Parkbremse setzen.
3. Vor dem Absteigen vom Sitz den Gashebel auf die Position LANGSAM setzen, die Messerrotationssteuerung in die Position AUSGEKUPPELT bringen, den Motor abschalten und die Parkbremse setzen.

Aufnahme des Betriebs am Hang

1. Den Motor anlassen.
2. Die Messerrotationssteuerung in die Position EINGEKUPPELT bringen.
3. Den Gashebel auf die Position SCHNELL setzen.
4. Das Bremspedal herunterdrücken und die Parkbremse freigeben. Beim Freigeben der Parkbremse das Geschwindigkeitsregelpedal auf die gewünschte Geschwindigkeitseinstellung bringen.



Während der Freigabe der Parkbremse das Geschwindigkeitsregelpedal langsam herunterdrücken. Um das Getriebe durch das Geschwindigkeitsregelpedal einkuppeln zu können, muss die Parkbremse gelöst sein.

Vor dem Anlassen des Motors

Überprüfen des Ölstandes

HINWEIS: Der Motor wurde ab Werk mit Öl gefüllt versandt. Überprüfen Sie den Ölstand. Füllen Sie nach Bedarf Öl nach. Die einzusetzenden Triebstoff- und Ölarten sind in der Betriebsanleitung des Motorherstellers aufgeführt.

1. Sicherstellen, dass das Gerät waagrecht steht.
HINWEIS: Messen Sie den Ölstand nicht bei laufendem Motor.
2. Ölstand überprüfen. Das in der Betriebsanleitung des Motorherstellers beschriebene Verfahren befolgen.
3. Falls erforderlich, Öl bis zur Markierung FULL (Voll) auf dem Ölmeßstab nachfüllen. Die für das Auffüllen von der Position ADD (Nachfüllen) bis zur Position FULL benötigte Ölmenge ist auf dem Meßstab angegeben. Nicht zu viel Öl einfüllen.

Nachfüllen von Treibstoff



ACHTUNG: Stets Sicherheits-Treibstoffbehälter verwenden. Beim Einfüllen von Benzin in den Treibstofftank nicht rauchen. Benzin nicht in geschlossenen Räumen nachfüllen. Vor dem Nachfüllen von Benzin den Motor abschalten und mehrere Minuten lang abkühlen lassen.

(Abb. 6) Den Treibstofftank (1) bis zur Position FULL (2, Voll) mit unverbleitem Normalbenzin füllen. Kein unverbleites Superbenzin verwenden. Sicherstellen, dass das Benzin frisch und sauber ist. Verbleites Benzin führt zu vermehrten Ablagerungen und verringert die Lebensdauer der Ventile.

Anlassen des Motors



ACHTUNG: Das elektrische System besitzt eine Benutzererfassung, die einen Sensorschalter für den Sitz umfaßt. Diese Komponenten melden dem elektrischen System, ob sich der Benutzer auf dem Sitz befindet. Das System schaltet den Motor ab, wenn der Benutzer den Sitz verläßt. Stellen Sie zu Ihrem eigenen Schutz stets sicher, daß dieses System ordnungsgemäß funktioniert.

HINWEIS: Sie können den Motor nur anlassen, wenn Sie das Kupplungs-/Bremspedal durchdrücken und die Messerrotationssteuerung in die Position DISENGAGE (Ausgekuppelt) bringen.

1. Das Bremspedal vollständig nach vorn drücken. Den Fuß auf dem Pedal halten.
2. Sicherstellen, dass sich die Messerrotationssteuerung in der Position AUSGEKUPPELT befindet.
3. Den Gashebel vollständig nach vorn in die Position CHOKE (Starterklappe) bzw. SCHNELL schieben. Einige Modelle sind mit einem gesonderten Starterzug ausgerüstet. Den Starterzug vollständig in die Position CHOKE bringen.
4. Den Zündschlüssel in die START-Position drehen.

HINWEIS: Bringen Sie den Gashebel in die Position SCHNELL, falls der Motor nach vier bis fünf Versuchen nicht anspringt. Versuchen Sie erneut, den Motor anzulassen. Sehen Sie den Abschnitt STÖRUNGSBEHEBUNG ein, falls der Motor weiterhin nicht anspringt.

5. Den Gashebel langsam in die Position LANGSAM bringen.
6. Zum Anlassen eines heißen Motors den Gashebel auf eine Position zwischen SCHNELL und LANGSAM setzen.

Hinweise zum Mäh- und Grasfangbetrieb

1. Ihr Rasen wird gepflegter aussehen, wenn Sie die Schnitthöhe des Mähergehäuses regelmäßig überprüfen. Lesen Sie dazu „Justieren des Mähergehäuses“ im Wartungsabschnitt.
2. Um einen gleichmäßigen Schnitt zu erzielen, müssen die Reifen den richtigen Luftdruck aufweisen.
3. Überprüfen Sie bei jedem Einsatz des Geräts das Messer. Ist das Messer verbogen oder beschädigt, muss es sofort ersetzt werden. Stellen Sie außerdem sicher, dass die Mutter für das Messer fest sitzt.
4. Halten Sie das (die) Messer scharf. Abgenutzte Messer bewirken braune Grasspitzen.
5. Nasses Gras sollte nicht mit dem Mäher oder dem Grasfänger bearbeitet werden. Es lässt sich nicht ordnungsgemäß auswerfen. Lassen Sie das Gras vor dem Mähen trocknen.
6. Verwenden Sie zum Schneiden im Bereich von Gegenständen die linke Seite des Mähers.
7. Werfen Sie das geschnittene Gras auf den gemähten Bereich aus. Dadurch ergibt sich ein gleichmäßigerer Auswurf des geschnittenen Grasses.

8. Wenden Sie beim Mähen großer Flächen zunächst nach rechts, damit das geschnittene Gras von Büschen, Zäunen, Auffahrten usw. hinweg ausgeworfen wird. Mähen Sie nach zwei Runden in entgegengesetzter Richtung mit Wenden nach links, bis die gesamte Fläche gemäht ist.
9. Mähen Sie bei sehr hohem Gras zweimal, um die Belastung des Motors zu verringern. Setzen Sie für den ersten Schnitt das Mähergehäuse in die höchste Position und senken Sie es für den zweiten Schnitt ab.
10. Um eine bessere Motorleistung und einen gleichmäßigen Grasauswurf zu erzielen, sollten Sie den Gashebel bei laufendem Motor stets in der Position SCHNELL halten.
11. Betreiben Sie den Motor beim Einsatz eines Grasfängers mit dem Gashebel in der Position SCHNELL und halten Sie das Geschwindigkeitsregelpedal zu 1/3 bis 1/2 nach vorn gedrückt.
12. Reinigen Sie nach jedem Einsatz Ober- und Unterseite des Mähergehäuses, um ein gutes Leistungsniveau aufrechtzuerhalten. Ein sauberes Mähergehäuse verringert außerdem die Brandgefahr.

WARTUNG

HINWEIS: Abbildungen und Symbole finden sich ab Seite 2.

Allgemeine Empfehlungen

1. Es liegt in der Verantwortung des Eigentümers, dieses Produkt zu warten. Dadurch wird die Lebensdauer des Produktes erhöht; gleichzeitig ist es zum Erhalt der Garantieleistungen erforderlich.
2. Folgende Maßnahmen sind einmal pro Jahr auszuführen: Überprüfen der Zündkerze und Antriebsbremse, Schmieren des Geräts und Reinigen des Luftfilters.
3. Überprüfen Sie die Befestigungsteile. Stellen Sie sicher, dass alle Befestigungsteile fest sitzen.
4. Folgen Sie den Anweisungen im Wartungsabschnitt, um das Gerät in einem guten Betriebszustand zu halten.



ACHTUNG: Vor der Ausführung von Inspektions-, Einstellungs- oder Reparaturarbeiten das Zündkabel abziehen. Das Zündkabel von der Zündkerze entfernen, um ein versehentliches Anspringen des Motors zu vermeiden.

HINWEIS: Das Anziehdrehmoment wird in Nm angegeben. Dieses Maß zeigt an, wie fest eine Mutter bzw. Schraube angezogen werden muss. Das Anziehdrehmoment wird mit einem Drehmomentschlüssel gemessen.

Inspektion des Messers (Abb. 7)



ACHTUNG: Vor der Inspektion bzw. dem Ausbau des Messers das Zündkabel abziehen. Falls das Messer auf einen Gegenstand schlägt, den Motor abschalten. Das Gerät auf Schäden überprüfen. Das Messer hat scharfe Kanten. Zum Anfassen des Messers Hände mit Handschuhen oder einem Tuch schützen.

Wird das Messer (1) scharf gehalten und regelmäßig auf Schäden überprüft, schneidet es besonders

und lässt sich sicherer einsetzen. Inspizieren Sie das Messer häufig auf übermäßige Abnutzung, Risse oder andere Beschädigungen. Überprüfen Sie die Mutter (3), die das Messer (1) hält, häufig. Die Mutter (3) muss stets fest angezogen sein. Schalten Sie den Motor ab, falls das Messer gegen einen Gegenstand stößt. Ziehen Sie das Zündkabel ab. Überprüfen Sie, ob das Messer verbogen oder beschädigt ist. Überprüfen Sie den Messeradapter (5) auf Beschädigung. Ersetzen Sie vor dem erneuten Einsatz des Geräts beschädigte Teile mit Original-Ersatzteilen. Diese sind bei autorisierten Kundendienstzentren in Ihrer Nähe erhältlich. Lassen Sie alle drei Jahre durch eine autorisierte Kundendienstfachkraft eine Inspektion des Messers bzw. einen Ersatz des Messers mit einem Original-Ersatzteil durchführen.

Ausbau und Installation des Messers (Abb. 7)

1. Das Mähergehäuse abnehmen. Siehe die Anleitungen zum „Ausbau des Mähergehäuses“.
2. Mit Hilfe eines Stücks Holz eine Rotation des Messers verhindern.
3. Die Mutter (3), die das Messer (1) hält, entfernen.
4. Das Messer (1) und den Messeradapter (5) gemäß den Anleitungen zur „Inspektion des Messers“ untersuchen. Stark abgenutzte oder beschädigte Messer durch Original-Ersatzteile ersetzen. Hierzu ist ein autorisiertes Kundendienstzentrum aufzusuchen.
5. Ober- und Unterseite des Mähergehäuses reinigen. Gras und Abfall vollständig beseitigen.
6. Messer (1) und Messeradapter (5) auf der Spindel (6) montieren.
7. Das Messer (1) so installieren, dass die Hochleistungskanten (7) nach oben weisen. Wird das Messer umgekehrt installiert, schneidet es nicht ordnungsgemäß und kann einen Unfall verursachen.
8. Das Messer (1) mit den Original-Unterlegscheiben und der Original-Mutter (3) befestigen. Sicherstellen, dass die Außenkante der Belleville-Unterlegscheibe (2) gegen das Messer (1) zeigt.



ACHTUNG: Die Mutter (3), die das Messer (1) hält, muss stets fest angezogen sein. Eine lose Mutter bzw. ein loses Messer kann einen Unfall verursachen.

9. Die Mutter (3), die das Messer (1) hält, auf ein Drehmoment von 41,5 Nm anziehen.
10. Das Mähergehäuse installieren. Siehe „Ausbau des Mähergehäuses“.

Einstellung der Messerrotationssteuerung



ACHTUNG: Zur Verhinderung von Verletzungen muss die Messerrotationssteuerung ordnungsgemäß funktionieren.

Bei normalem Einsatz ist eine Einstellung der Messerrotationssteuerung nicht erforderlich. Falls jedoch die Schnittleistung nachlässt oder die Schnittqualität unzureichend ist, sind die folgenden Änderungen durchzuführen:


1. Beim Mähen sicherstellen, dass sich der Gashebel in der Position SCHNELL befindet.
2. (Abb. 8) Die Messerrotationssteuerung in die Position AUSGEKUPPELT (1) bringen.
3. Den Motor abschalten. Das Zündkabel abziehen.
4. Das (die) Messer überprüfen. Die Schneidkanten scharf halten. Nicht ausreichend geschärfte Messer verursachen braune Grasspitzen.
5. (Abb. 9) Die Messerantriebsfeder (2) von der Messereinstellstange (1) abnehmen. Die Messerantriebsfeder (2) in das mittlere Loch (4) einhängen. Dadurch wird die Spannung des Mäherantriebsriemens erhöht.
6. Das Zündkabel auf die Zündkerze aufsetzen. Ein kurzes Stück mähen und die Schnittqualität überprüfen. Falls erforderlich, die Messerantriebsfeder (2) in das untere Loch (5) einhängen.
7. Erneut die Schnittqualität überprüfen. Falls sich keine Verbesserung zeigt, den Mäherantriebsriemen ersetzen. Siehe „Auswechseln des Mäherantriebsriemens“. Falls das Problem durch ein Auswechseln des Riemens nicht behoben wird, das Gerät zu einem autorisierten Kundendienstzentrum bringen.
8. Die Messerrotationssteuerung in die Position AUSGEKUPPELT bringen. Den Motor abschalten.
9. (Abb. 10) Die Funktion der Messerbremse überprüfen. Die Spannrollen von Hand drehen. Sicherstellen, dass die Bremsbeläge (1) fest gegen die Spannrollen gepresst sind.
10. (Abb. 8) Die Messerrotationssteuerung in die Position EINGEKUPPELT (2) bringen.
11. (Abb. 10) Die Beläge für die Messerbremse (7) überprüfen. Falls die Beläge übermäßig abgenutzt oder beschädigt sind, müssen sie ausgewechselt werden. Ersatzteile und Unterstützung sind bei autorisierten Kundendienstzentren erhältlich.
12. Das Zündkabel auf die Zündkerze aufsetzen. Ein kurzes Stück mähen und die Funktion der Messerrotationssteuerung überprüfen.
13. Wird die Messerrotationssteuerung in die Position AUSGEKUPPELT gebracht, kommt jegliche Bewegung innerhalb von fünf Sekunden zum Stillstand. Falls sich der Riemen oder die Messer weiterbewegen, die Messerrotationssteuerung fünfmal ein- und auskuppeln, um überschüssige Gummimasse vom neuen Mäherantriebsriemen zu entfernen. Bringen Sie das Gerät zu einem autorisierten Kundendienstzentrum, falls Sie fachliche Unterstützung benötigen.
14. (Abb. 9) Nach dem Auswechseln des Mäherantriebsriemens die Messerantriebsfeder (2) in das obere Loch (3) einhängen.

Überprüfen und Einstellen des Fahrtriebsriemens (Abb. 18 und 21)

Bei locker sitzendem Mäherantriebsriemen weist der Riemen bei der Fahrt hangaufwärts bzw. beim Ziehen schwerer Lasten Schlupf auf, oder das Gerät lässt sich nicht vorwärts bewegen.

WICHTIG: Beim Einsatz des Geräts den Gashebel stets auf der Position SCHNELL halten.

Bei langsamer oder mittlerer Motordrehzahl können Motor und Getriebe zu heiß werden und Probleme erzeugen, die denen bei einem losen Fahrtrahnsriemen ähnlich sind.

 **ACHTUNG:** Vor der Ausführung von Inspektions-, Einstellungs- oder Reparaturarbeiten das Zündkabel abziehen. Das Zündkabel von der Zündkerze entfernen, um ein versehentliches Anspringen des Motors zu vermeiden.

1. (Abb. 21) Die Führung des **Fahrtrahnsriemens (6)** überprüfen, Sicherstellen, dass der **Fahrtrahnsriemen (6)** ordnungsgemäß installiert ist und innerhalb aller **Riemenführungen (7)** verläuft.
2. (Abb. 18) Die **Kupplungsverbindung (1)** vom **Lenkzwischenhebel (2)** lösen.
3. (Abb. 21) Das Loch im **Bremshebel (3)** mit dem Loch im Rahmen ausrichten. Den **Bremshebel (3)** mit einem **Stift bzw. einer Schraube (1/4 Zoll/ 6 mm) (4)** befestigen.
4. (Abb. 18) Die **Kupplungsverbindung (1)** drehen, bis das **Montageloch (5)** in der **Kupplungsverbindung (1)** mit dem **Montageloch (5)** im **Lenkzwischenhebel (2)** ausgerichtet ist.
5. Die **Kupplungsverbindung (1)** an den **Lenkzwischenhebel (2)** anschließen.
6. (Abb. 21) **Stift bzw. Schraube (1/4 Zoll/ 6 mm) (4)** entfernen.
7. Falls der Riemen nach der Einstellung weiterhin Schlupf aufweist, ist der Fahrtrahnsriemen abgenutzt oder beschädigt und muss ausgewechselt werden. Siehe „Auswechseln des Fahrtrahnsriemens“.


Überprüfen und Einstellen der Fahrtbremse (Abb. 12 und 20)

(Abb. 20) Die Parkbremse einstellen. Die **automatische Antriebsunterbrechung (1)** in die **Position SCHIEBEN (3)** stellen. Das Gerät schieben. Wenn sich das Hinterrad dreht, Bremsbeläge einstellen bzw. ersetzen.

Die **Fahrtbremse (4)** folgendermaßen einstellen:


1. (Abb. 12) Die **Fahrtbremse (4)** befindet sich auf der rechten Seite des **Getriebes (5)**.
2. (Abb. 20) Sicherstellen, dass die Parkbremse gesetzt ist und die **automatische Antriebsunterbrechung (1)** sich in der **Position SCHIEBEN (3)** befindet.
3. (Abb. 12) Die **Sechskantmutter (6)** im Uhrzeigersinn drehen, bis sich die Hinterräder nicht mehr drehen, wenn das Gerät vorwärts geschoben wird.
4. Die Parkbremse lösen und das Gerät schieben. Falls das Gerät nicht rollt, die **Sechskantmutter (6)** entgegen dem Uhrzeigersinn drehen, bis das Gerät rollt.
5. Die Parkbremse setzen. Das Gerät schieben. Falls sich die Hinterräder nicht drehen, ist die **Fahrtbremse (4)** richtig eingestellt. Die Parkbremse lösen.


F-050744L

 **ACHTUNG:** Falls die **Fahrtbremse** nicht ordnungsgemäß eingestellt werden kann, sind die **Bremsbeläge** auszuwechseln. Die entsprechenden Ersatzteile sowie technische Unterstützung sind bei autorisierten Kundendienstzentren erhältlich.

Ausbau der Batterie (Abb. 4)


Bauen Sie die **Batterie (1)** zum Aufladen bzw. Reinigen folgendermaßen aus dem Gerät aus:

 **ACHTUNG:** Zur Vermeidung von Funkenbildung zunächst das **schwarze Batteriekabel (8)** von der **negativen (-) Klemme** abnehmen und dann das **rote Kabel (5)** abnehmen.


 **ACHTUNG:** Die **Batterie** enthält **Schwefelsäure**; **Schwefelsäure** ist **gefährlich für Haut, Augen und Kleidung**. Auf den Körper oder die **Kleidung** gelangte Säure mit **Wasser abwaschen**.

1. Das **schwarze Kabel (8)** von der **negativen (-) Klemme** abnehmen.
2. Das **rote Kabel (5)** von der **positiven (+) Klemme (4)** abnehmen.
3. Den **Batterietrog (3)** und die **Batterie (1)** aus dem Gerät heben.

Aufladen der Batterie (Abb. 4)

 **ACHTUNG:** Beim Aufladen der **Batterie** nicht rauchen. **Batterie** von **Funken fernhalten**. Die **Dämpfe der Batteriesäure** können eine **Explosion verursachen**.

1. Die **Batterie (1)** vor dem Aufladen ausbauen.
2. Zum Aufladen der **Batterie (1)** ein **2-Volt-Batterieladegerät** verwenden. Eine Stunde lang mit **6 Ampere** aufladen.
3. Die **Batterie (1)** einbauen.


 **ACHTUNG:** Zur Vermeidung von Funkenbildung zunächst das **rote Kabel** an die **positive (+) Klemme** anschließen und dann das **schwarze Kabel** anschließen.

4. Das **rote Kabel (5)** wie dargestellt mit Hilfe der Befestigungsteile an die **positive (+) Klemme (4)** anschließen.
5. Das **schwarze Kabel (8)** wie dargestellt mit Hilfe der Befestigungsteile an die **negative (-) Klemme** anschließen.

Einstellen der Stützräder

Die **Achsschrauben** für die **Stützräder** wurden in der unteren Schnittposition (LOW) montiert. Zur Änderung der Position der **Stützräder** die **Achsschrauben** folgendermaßen versetzen.

WICHTIG: Vor der **Einstellung der Stützräder** müssen Sie die folgenden Schritte ausführen: **Stellen Sie sicher, daß das Mähergehäuse horizontal ausgerichtet ist. Stellen Sie sicher, daß die Schnitthöhe Ihren Wünschen entsprechend eingestellt ist. Mähen Sie ein kurzes Stück auf einer ebenen Fläche und betrachten Sie das Resultat. Lesen Sie die Anweisungen im Abschnitt „Justieren des Mähergehäuses“, falls der Schnitt nicht gleichmäßig ist.**


 **ACHTUNG:** Vor der Ausführung von **Inspektions-, Einstellungs- oder Reparaturarbeiten** das **Zündkabel** abziehen. Das **Zündkabel** von der **Zündkerze** entfernen, um ein **versehentliches Anspringen des Motors** zu vermeiden.

1. (Abb. 22, Darstellung „I“) Die **Stützräder (12)** und die **Achsschrauben (11)** entfernen.
2. (Abb. 13) Ein kurzes Stück auf einer ebenen Fläche mähen, um die Gleichmäßigkeit des Schnitts und die Schnitthöhe zu überprüfen. Die **Nummer der Schnitt Höhenposition (3)** auf dem **Mähergehäusehebel (1)** notieren.
3. (Abb. 22, Darstellung „I“) Jede **Stützradhalterung (13)** inspizieren. Jede Halterung weist 3 Löcher auf, die jeweils mit einer Nummer versehen sind. Die Nummer der Schnitt Höhenposition auf dem **Mähergehäusehebel** zeigt an, welches Loch auf den **Stützradhalterungen (13)** zu verwenden ist. **HINWEIS:** Loch 1 auf der **Stützradhalterung** entspricht **Position 1** auf dem **Mähergehäusehebel**, Loch 2 entspricht **Position 2**, Loch 3 entspricht den **Positionen 3, 4, 5 und 6**.
4. Die **Achsschrauben (11)** im richtigen Loch der **Stützradhalterungen (13)** montieren (siehe oben).


HINWEIS: Falls die **Schnitt Höhenposition** mit Hilfe des **Mähergehäusehebels** geändert wird, müssen Sie die **Stützräder** in das entsprechende Loch versetzen, damit weiterhin ein **gleichmäßiger Schnitt** gewährleistet ist.

Justieren des Mähergehäuses (Abb. 13 und 14)

Das **Messer** schneidet leichter und sorgt für einen gepflegter aussehenden Rasen, wenn das **Mähergehäuse** horizontal ausgerichtet ist.

 **ACHTUNG:** Vor der Ausführung von **Inspektions-, Einstellungs- oder Reparaturarbeiten** das **Zündkabel** abziehen. Das **Zündkabel** von der **Zündkerze** entfernen, um ein **versehentliches Anspringen des Motors** zu vermeiden.

1. Sicherstellen, daß das Gerät sich auf einer harten, ebenen Oberfläche befindet.
2. Den **Luftdruck** in den **Reifen** überprüfen. Bei falschem **Luftdruck** schneidet der **Mäher** nicht gleichmäßig. Der ordnungsgemäße **Reifendruck** beträgt **0,97 BAR (14 PSI)** für die **Vorderräder** und **0,69 BAR (10 PSI)** für die **Hinterräder**.
3. Falls der **Mäher** mit **Stützrädern** ausgerüstet ist, diese entfernen.
4. (Abb. 13) Den **Mähergehäusehebel (1)** in die **Niveauregulierungsposition (2)** bringen.

 **ACHTUNG:** Der **Mähergehäusehebel (1)** steht unter **Federspannung**. Sicherstellen, daß der **Mähergehäusehebel (1)** in der **Niveauregulierungsposition (2)** eingerastet ist.

5. (Abb. 14) **Linken** und **rechten Einstellknopf (1)** lösen. Auf beiden Seiten des **Mähergehäuses** nach unten drücken. Sicherstellen, daß beide Seiten des **Mähergehäuses** auf einer ebenen Oberfläche aufliegen. Außerdem sicherstellen, daß die **Hebeverbindungen (2)** gelöst sind und sich leicht auf und ab bewegen lassen.

- Die **Hebeverbindungen (2)** und den linken und rechten **Einstellknopf (1)** nach unten drücken. Nach Bedarf die **Einstellknöpfe (1)** mit einem Schraubenschlüssel festziehen.
- (Abb. 13) Den **Mähergehäusehebel (1)** aus der **Niveauregulierungsposition (2)** in eine **Schnittposition** anheben.
- Falls der Mäher mit Stützrädern ausgerüstet ist, diese einbauen.
- Ein kurzes Stück mähen. Falls die Schnitthöhe nicht gleichmäßig ist, die oben angeführten Schritte wiederholen.

Schmierpunkte (Abb. 15)



Modelle mit Schmiernippeln: mit einer Fettpistole schmieren.



Die dargestellten Bereiche mit Hilfe einer Bürste schmieren.



Die dargestellten Bereiche mit Motoröl schmieren.

HINWEIS: Schmieren Sie das Lenkgetriebe.
VORSICHT: Schmieren Sie das Gerät beim Einsatz in trockenen, sandigen Gegenden mit einem trockenen Graphit-Schmiermittel.

Überprüfen der Reifen

Überprüfen Sie den Luftdruck in den Reifen. Ein zu hoher Luftdruck in den Reifen bewirkt ein rauhes Fahrverhalten. Außerdem verhindert ein falscher Luftdruck ein gleichmäßigen Schnitt. Der ordnungsgemäße Reifendruck beträgt 0,97 BAR (14 PSI) für die Vorderräder und 0,69 BAR (10 PSI) für die Hinterräder.

Auswechseln des Fahrtantriebsriemens

- Das Mähergehäuse ausbauen. Siehe die Anleitungen zum „Ausbau des Mähergehäuses“.
- (Abb. 16) Die **mittlere Riemen Spannrolle (4)** entfernen.
- Die **Riemen Spannfeder (7)** lösen.
- Riemen Spannrolle (8)** und **Zwischenstück (9)** entfernen.
- V-Riemen Spannrolle (5)** und **Zwischenstück (13)** entfernen.
- Den **Fahrtantriebsriemen (1)** von der **Riemenscheibe (6)** entfernen.
- (Abb. 17) Zur Entfernung des **Fahrtantriebsriemens (1)** von der **Stapelscheibe (2)** das vordere Ende des Riemens unter die **Stapelscheibe (2)** ziehen und dann zwischen Stapelscheibe und **Lenkblech (3)** zurückziehen.
- (Abb. 11) Die **Abdeckplatte (10)** entfernen.
- Die beiden **Schrauben (11)**, die die **Lenkwellenbaugruppe (12)** zusammenhalten, entfernen. Lenkrad und **Lenkwellenbaugruppe (12)** anheben. Den **Fahrtantriebsriemen (1)** unter die **Lenkwellenbaugruppe (12)** ziehen.
- Den **Fahrtantriebsriemen (1)** entfernen. Entsprechende Ersatzteile und technische

Hilfe sind bei autorisierten Kundenzentren erhältlich.

- Zur Installation des Fahrtantriebsriemens die aufgeführten Schritte umkehren.
- (Abb. 16) Die Führung des **Fahrtantriebsriemens (1)** überprüfen. Sicherstellen, dass der Fahrtantriebsriemen ordnungsgemäß auf den Riemen Spannrollen installiert wurde.
- Vor Inbetriebnahme des Geräts die Einstellung der Kupplung überprüfen. Anleitungen befinden sich in „Überprüfung und Einstellung der Kupplung“.
- Das Mähergehäuse installieren. Anleitungen befinden sich in „Installieren des Mähergehäuses“.

Auswechseln des Mäherantriebsriemens (Abb. 10)

- Das Mähergehäuse ausbauen. Siehe die Anleitungen zum „Ausbau des Mähergehäuses“.
- Die **Riemenhalterung (1)** von der **Riemen Spannrolle (2)** abziehen und den **Mäherantriebsriemen (3)** abnehmen.
- Die **Riemenhalterung (4)** von der **rechten Spindelscheibe (5)** abziehen und den **Mäherantriebsriemen (3)** abnehmen.
- Die **Riemenhalterung (4)** von der **linken Spindelscheibe (6)** abziehen und den **Mäherantriebsriemen (3)** abnehmen. Entsprechende Ersatzteile und technische Unterstützung sind bei autorisierten Kundendienstzentren erhältlich.
- Zur Installation des Mäherantriebsriemens die oben aufgeführten Schritte umkehren.

Ausbau des Mähergehäuses (Abb. 22)

- Die **Messerrotationssteuerung (1)** in die Position AUSGEKUPPELT bringen.
- Den **Mähergehäusehebel (2)** in die Niveauregulierungsposition bringen.



Der Mähergehäusehebel wird mit einer Feder betrieben. Sicherstellen, dass der Mähergehäusehebel in der NIVEAUREGULIERUNGSPPOSITION gehalten wird.

- Die Haarnadeln und Unterlegscheiben von den **Einstellarmen (3)** abnehmen. Siehe Darstellungen „C“ und „D“.
- Die Haarnadeln und Unterlegscheiben von den **Haltearmen (4)** abnehmen. Siehe Darstellungen „A“ und „B“.
- Die **Zugfeder (5)** von der **Messereinstellstange (6)** abnehmen. Siehe Darstellung „E“.
- Die **vordere Aufhängung (9)** von der Achshalterung abnehmen. Siehe Darstellung „F“.
- Den **Mäherantriebsriemen (7)** von der **Stapelscheibe (8)** abnehmen.
- Das Mähergehäuse von der rechten Seite des Gerätes wegziehen.
- Zur Installation des Mähergehäuses die oben dargestellten Schritte umkehren.

Auswechseln der Sicherung

Falls die Sicherung durchbrennt, kann der Motor nicht angelassen werden. Entfernen Sie die Sicherung und ersetzen Sie sie mit einer 15 Ampere-Kraftfahrzeugsicherung.

Lagerung (für mehr als 30 Tage)

Bereiten Sie am Ende jedes Jahres das Gerät folgendermaßen auf die Lagerung vor:

- Treibstoff aus Vergaser und Treibstofftank ablaufen lassen. Motoröl wechseln. Siehe die Anweisungen des Motorherstellers.
- Das gesamte Gerät reinigen.
- Batterie aufladen.

Bestellen von Ersatzteilen

Eine Übersicht der Ersatzteile findet sich entweder auf den letzten Seiten dieser Betriebsanleitung oder in einer gesonderten Teileliste.

Setzen Sie ausschließlich vom Hersteller zugelassene Ersatzteile ein. Der Buchstabe am Ende der Teilenummer bezeichnet die Ausfertigung des betreffenden Ersatzteils; C steht für Chrom, Z für Zink und PA für Zugekaufte Baugruppe. Diese Informationen müssen bei der Bestellung von Ersatzteilen unbedingt angegeben werden. Setzen Sie keine Zubehörteile ein, die nicht ausdrücklich für dieses Gerät empfohlen wurden. Zum Bezug der richtigen Ersatzteile muss die Modellnummer des Rasenmähers angegeben werden (siehe Typenschild).

Ersatzteile, mit Ausnahme von Motor, Getriebe, Hinterachsen mit Kardanwellen und Differentialgetrieben, können im Geschäft, in dem Sie Ihren Mäher gekauft haben, oder in einer von diesem Geschäft empfohlenen Werkstatt erworben werden.

Falls es Ihnen unmöglich ist, Ersatzteile bzw. Kundendienstleistungen in der oben beschriebenen Form zu beziehen, wenden Sie sich bitte an:

HAYTER LIMITED,
Service Department,
Spellbrook,
Bishop's Stortford,
Hertfordshire. CM23 4BU.

MURRAY, INC.

International Sales
P.O. Box 268
Brentwood, Tennessee USA 37024
1-800-251-8007
Fax (615) 373-6633 R-Gespräche werden nicht angenommen.

Ersatzteile für Motor, Hinterachse mit Kardanwelle und Getriebe können bei den autorisierten Kundendienstzentren der entsprechenden Hersteller erworben werden; diese finden sich im Branchenverzeichnis Ihres Telefonbuchs. Weitere Informationen zur Bestellung von Ersatzteilen finden sich in den einzelnen Garantieerklärungen für Motor und Getriebe.

Bei der Bestellung sind die folgenden Informationen anzugeben:

- Modellnummer
- Seriennummer
- Teilenummer
- Menge

STÖRUNGSBEHEBUNG

PROBLEM: Der Motor springt nicht an.

1. Die im Abschnitt „Anlassen des Motors“ in diesem Buch beschriebenen Schritte befolgen.
2. Für Modelle mit elektrischem Anlasser: Batterieklammern säubern. Kabel fest anschließen.
3. Kabel auf festen Sitz überprüfen. Endschalter fest anschließen (siehe Schaltplan).
4. Treibstofftank entleeren. Treibstoffleitung reinigen. Kraftstofffilter austauschen.
5. Zündkerze(n) entfernen. Gashebel in die Position SLOW (LANGSAM) bringen. Zündschlüssel auf die Position ON (EIN) stellen. Mehrfach versuchen, den Motor anzulassen. Zündkerze wieder einsetzen.
6. Zündkerze austauschen.
7. Vergaser einstellen.

PROBLEM: Der Motor weist keine Rotation auf.

1. Die im Abschnitt „Anlassen des Motors“ in diesem Buch beschriebenen Schritte befolgen.
2. Für Modelle mit elektrischem Anlasser: Batterie aufladen.
3. Sicherung austauschen.
4. Kabelbaum auf Beschädigung und lose Verbindungen überprüfen. Beschädigte Kabel reparieren.
5. Für Modelle mit elektrischem Anlasser: Magnetspule austauschen. Für Modelle mit Rückstoß-Anlasser: Baugruppe austauschen.

PROBLEM: Der Motor springt nur schwer an.

1. Vergaser einstellen.
2. Zündkerze austauschen.
3. Kraftstofffilter austauschen.

PROBLEM: Der Motor läuft nicht rund oder weist einen Leistungsverlust auf.

1. Ölstand überprüfen.
2. Luftfilter reinigen.
3. Luftsieb reinigen.
4. Zündkerze austauschen.
5. Die Motorlast ist zu groß. Kleineren Gang verwenden.
6. Vergaser einstellen.
7. Kraftstofffilter austauschen.

PROBLEM: Der Motor läuft bei hoher Geschwindigkeit nicht rund.

1. Zündkerze austauschen.
2. Gashebel einstellen.
3. Luftfilter reinigen.
4. Kraftstofffilter austauschen.

PROBLEM: Der Motor schaltet sich ab, wenn die Messer eingekoppelt werden.

1. Kabelbaum auf Beschädigung und lose Verbindungen überprüfen. Beschädigte Kabel reparieren.
2. Der Grasfangsack muß installiert sein (betrifft nur Modell mit rückwärtigem Grasfangsack).

PROBLEM: Der Motor schaltet sich auf Steigungen ab.

1. Hangauf- und -abwärts mähen. Niemals quer zum Hang mähen.

PROBLEM: Der Motor läßt sich nicht auf Leerlaufdrehzahl bringen.

1. Zündkerze austauschen.
2. Luftfilter reinigen.
3. Vergaser einstellen.
4. Gashebel einstellen.
5. Treibstofftank entleeren. Treibstoffleitung reinigen. Kraftstofffilter austauschen.

PROBLEM: Bei heißem Motor tritt ein Leistungsverlust ein.

1. Luftsieb reinigen.
2. Ölstand überprüfen.
3. Vergaser einstellen.
4. Kraftstofffilter austauschen.

PROBLEM: Übermäßige Vibrationen.

1. Messer austauschen.
2. Motorschrauben auf festen Sitz überprüfen.
3. Reifendruck reduzieren.
4. Vergaser einstellen.
5. Riemen und Spannrollen auf Beschädigung überprüfen. Beschädigte Teile austauschen.

PROBLEM: Das Gras wird nicht ordnungsgemäß ausgeworfen.

1. Motor abschalten. Mähergehäuse reinigen.
2. Schnitthöhe vergrößern.
3. Messer austauschen oder schleifen.
4. Schalthebel auf geringere Geschwindigkeit einstellen.
5. Gashebel in die Position FAST (SCHNELL) bringen.

6. Die Feder für die Messerlaufrolle austauschen.
7. Verlängerungsrohr und Verbindungsrohr reinigen (betrifft nur Modell mit rückwärtigem Grasfangsack).

PROBLEM: Der Schnitt ist nicht gleichmäßig.

1. Reifendruck überprüfen.
2. Niveau des Mähergehäuses einstellen.
3. Vorderachse überprüfen. Falls die Vorderachse nicht frei drehbar ist, die Achsen-schraube(n) lösen.

PROBLEM: Die Messer rotieren nicht.

1. Mäherantriebsriemen überprüfen. Sicherstellen, daß der Riemen ordnungsgemäß installiert ist.
2. Mäherantriebsriemen austauschen.

PROBLEM: Das Gerät läßt sich nicht bewegen, wenn die Bremse freigegeben und das Geschwindigkeitsregelpedal heruntergedrückt wird.

1. Antriebsriemen überprüfen. Sicherstellen, daß der Riemen ordnungsgemäß installiert ist.
2. Kupplung einstellen.
3. Antriebsriemen austauschen.
4. Die automatische Antriebsunterbrechung unter dem Sitz lösen.

PROBLEM: Das Gerät bewegt sich bei heruntergedrücktem Geschwindigkeitsregelpedal langsamer oder hält an.

1. Kupplung einstellen.
2. Antriebsriemen austauschen.

PROBLEM: Bei Freigabe des Bremspedals ist ein Geräusch vom Riemen hörbar.

1. Zeitweilige Riemengeräusche beeinflussen den Betrieb des Geräts nicht. Bei dauerhaften Riemengeräuschen Riemenposition untersuchen. Sicherstellen, daß sich der Riemen innerhalb aller Riemenführungen befindet.
2. Bei andauerndem Geräusch Kupplung einstellen.

PROBLEM: Die Hinterräder drehen auf unebenem Untergrund durch.

1. Vorderachse überprüfen. Falls die Vorderachse nicht frei drehbar ist, die Achsen-schraube(n) lösen.

INDICE

SIMBOLI INTERNAZIONALI	34
INFORMAZIONI PER IL PROPRIETARIO	35
PROCEDURE PER UN USO SICURO	35
MONTAGGIO	36
USO	38
MANUTENZIONE	40
SOLUZIONE DI PROBLEMI	43

MURRAY, INC.

GARANZIA LIMITATA DI DUE ANNI

Murray, Inc. garantisce all'acquirente originale che questa unità sarà libera da difetti in materiali e lavorazione in condizioni d'uso e manutenzione normali per un periodo di **due (2) anni** dalla data d'acquisto; tuttavia, questa garanzia non copre motori, accessori (come spartineve a turbina, lame da neve, insaccatrici di erba e aratri), trasmissioni, batterie e parti soggette a normale usura (tranne per quanto segue) o gruppi cambio differenziale posteriore in quanto le aziende che fabbricano queste parti forniscono le proprie garanzie e manutenzione attraverso le sedi autorizzate. Per ulteriori informazioni, vedere le garanzie che coprono queste particolari parti. Se non si è sicuri se l'unità contiene o è dotata di una o più di queste parti, consultare il rivenditore prima dell'acquisto. Secondo questi termini e condizioni indicati in questa garanzia limitata ripareremo o sostituiranno, a nostro giudizio, senza alcun addebito per l'originale acquirente qualsiasi parte coperta da questa garanzia limitata durante il periodo applicabile.

Se la batteria risulta difettosa entro novanta (90) giorni dalla data di acquisto, la sostituiranno gratuitamente. Se la batteria risulta difettosa dopo (90) giorni ma entro centoventi (120) giorni dalla data di acquisto, la sostituiranno con un addebito di metà (1/2) del prezzo della batteria al momento del rinvio.

Si definiscono parti soggette a normale usura: cinghie, lame, adattatori di lama, pneumatici, fari e copri sedili. Queste parti sono garantite prive di difetti in materiali e lavorazione al momento della consegna con il prodotto. Qualsiasi richiesta di riparazione o sostituzione delle parti soggette a normale usura deve essere inoltrata entro trenta (30) giorni dalla data di acquisto. Nessuna richiesta originata da danni causati da uso non conforme alle istruzioni, o maltrattamento del materiale sarà onorata.

Questa **garanzia limitata di due (2) anni della Murray, Inc.** è l'unico rimedio dell'acquirente; tuttavia, questa garanzia è nulla o non applicabile a unità che siano state manomesse, modificate, usate non conformemente alle istruzioni, maltrattate o usate per noleggi o altri usi commerciali e/o professionali (non residenziali). La garanzia non copre minori regolazioni meccaniche non dovute a difetti in materiali o lavorazione. Per assistenza nell'effettuare questo tipo di regolazione, consultare il libretto di istruzioni. Per inoltrare una richiesta secondo questa **garanzia limitata di due (2) anni della Murray, Inc.**, rinviare l'unità (oppure, dietro previa autorizzazione, la parte difettosa) insieme ad una prova di acquisto ad un centro di assistenza tecnica autorizzato. Per individuare il centro di assi-

stenza tecnica autorizzato più vicino, chiamare il distributore parti centrale della zona indicato nell'elenco fornito con l'unità, o controllare le pagine gialle dell'elenco telefonico locale. Se si rinvia l'intera unità, ripareremo l'unità. Se autorizziamo il rinvio della parte difettosa solamente, sostituiranno o ripareremo la parte. In caso di un difetto nella trasmissione o nel differenziale (distinto dal gruppo cambio differenziale posteriore), si deve rinviare l'intera trasmissione o differenziale poiché essi non includono parti sostituibili dall'utente.

Questa **garanzia limitata di due (2) anni della Murray, Inc.**, dà all'acquirente diritti legali specifici, ma possono esservene altri a seconda del luogo di residenza. **Questa garanzia limitata è a sostituzione di tutte le altre garanzie espresse e implicite fra cui la garanzia implicita di commerciabilità e la garanzia di idoneità per un uso particolare.** Per ulteriori informazioni su questa garanzia scritta o su come ottenere assistenza, scrivere al seguente indirizzo:

HAYTER LIMITED,
Service Department,
Spellbrook,
Bishop's Stortford,
Hertfordshire. CM23 4BU.

MURRAY, INC.
International Sales
P.O. Box 268
Brentwood, Tennessee USA 37024
1-800-251-8007
Fax (615) 373-6633

SIMBOLI INTERNAZIONALI

IMPORTANTE: i seguenti simboli si trovano sull'unità o sulla documentazione che corre da il prodotto. Prima di usare l'unità apprendere e capire lo scopo di ogni simbolo.

NOTA: le illustrazioni e i simboli iniziano a pagina 2.

Simboli di sicurezza (Figura 23)

- 1 Attenzione
- 2 **IMPORTANTE:** leggere il manuale d'uso prima di usare questa macchina.
- 3 **ATTENZIONE:** oggetti lanciati. Tenere alla larga i presenti. Leggere le istruzioni d'uso prima di usare questa macchina.
- 4 **ATTENZIONE:** non usare questa macchina su pendenze superiori a 10 gradi.
- 5 **PERICOLO:** tenere lontano i presenti,


specialmente bambini dall'unità.

- 6 **PERICOLO:** senza gradino.
- 7 **PERICOLO:** tenere lontano mani e piedi dalle lame in movimento.
- 8 Il livello dichiarato di rumore nell'aria di 100 dB(A) sono in conformità con la direttiva 2000/14/CE.
- 9 **PERICOLO:** scollegare il filo della candela di accensione prima di eseguire la manutenzione dell'unità.
- 10 **ATTENZIONE:** superficie calda.
- 11 **ATTENZIONE:** fare attenzione quando si collegano o scollegano accessori.
- 12 **ATTENZIONE:** Fare attenzione a non schiacciarsi le dita.
- 13 **IMPORTANTE:** seguire le istruzioni nel manuale d'uso per mettere in piano l'alloggiamento del tagliaerba.

- 14 **ATTENZIONE:** tenersi lontano dalla lama del tagliaerba quando il motore è acceso.

Simboli dei comandi e d'uso (Figura 24)

- 1 Avvio del motore
- 2 Fari
- 3 Motore in funzione
- 4 Arresto del motore
- 5 Motore in funzione
- 6 Freno
- 7 Freno a mano
- 8 Frizione
- 9 Lento
- 10 Veloce
- 11 Valvola dell'aria
- 12 Olio
- 13 Comando della rotazione delle lame
- 14 Sollevare
- 15 Combustibile



MODEL NO.: 425607x52A **CE**

SKU No.:

YYYY MM DD: _____

SERIAL NO.:

2750 min-1

196 kg

Assembled in Lawrenceburg, TN 38464, U.S.A.

Valori dichiarati di emissione di vibrazioni in conformità con la direttiva 98/37/CE.

Emissione di vibrazioni: in conformità con la normativa BS EN 1032:

sedile < 0,5 m/s², Asse destro 1,05 m/s², asse sinistro 1,69 m/s²

Emissione di vibrazioni: in conformità con la normativa BS EN 1033:

Volante 0,95 m/s²

Valori determinati con l'operatore nella posizione d'uso e la macchina in funzione, stazionaria su una superficie di cemento a 2750 min-1.

Il livello dichiarato di rumore nell'aria di 100 dB(A) sono in conformità con la direttiva 2000/14/CE.

Livelli di pressione acustica alla posizione dell'operatore 83 dB.

Valori determinati alle orecchie dell'operatore secondo le specifiche della norma EN 836/A2:2001.

INFORMAZIONI PER IL PROPRIETARIO

Conoscere il prodotto: se si capisce l'unità e si sa come essa funziona, si potrà ottenere il migliore rendimento. Leggendo questo manuale confrontare le illustrazioni con l'unità. Imparare l'ubicazione e la funzione dei comandi. Per prevenire incidenti, seguire le istruzioni d'uso e le norme di sicurezza. Conservare questo manuale per riferimento futuro.



ATTENZIONE: questo simbolo indica importanti precauzioni di sicurezza. Questo simbolo indica: "Attenzione! All'erta! Pericolo."

Responsabilità del proprietario



ATTENZIONE: questo tagliaerba è in grado di amputare mani e piedi e catapultare oggetti. La mancata osservanza delle istruzioni di sicurezza, può causare gravi lesioni o decesso dell'operatore o di chi si trova in prossimità della macchina.

Il proprietario ha la responsabilità di seguire le istruzioni indicate qui sotto.

PROCEDURE PER UN USO SICURO

Trattori tagliaerba a rotazione da trasporto

Addestramento

1. Leggere attentamente le istruzioni. Conoscere i comandi e l'uso corretto della macchina.
2. Non permettere mai che bambini o persone che non conoscono queste istruzioni usino il tagliaerba. Norme legali possono imporre un limite d'età per l'uso della macchina.
3. Non tagliare mai l'erba quando vi sono in prossimità persone, specialmente bambini, o animali.
4. Ricordarsi che l'operatore o utente è responsabile per incidenti o situazioni che mettano a pericolo altra gente o proprietà altrui.
5. Non trasportare passeggeri.
6. Tutti i guidatori dovrebbero ottenere istruzione pratica da professionisti. Tale istruzione dovrebbe enfatizzare:
 - a. attenzione e concentrazione quando si lavora con macchine da trasporto;
 - b. se si perde il controllo di una macchina da trasporto su una pendenza, non lo si può riguadagnare premendo il freno. Le principali ragioni per la perdita di controllo sono:
 - presa insufficiente delle ruote;
 - velocità eccessiva;
 - frenatura non adeguata;
 - il tipo di macchina non è adatto alla mansione;
 - inconsapevolezza dell'effetto delle condizioni del terreno, specialmente di pendenze;
 - aggancio e distribuzione carico non corretti.

Preparazione

1. Durante l'uso, indossare sempre scarpe robuste e calzoni lunghi. Non usare la macchina a piedi nudi o con sandali aperti.
2. Controllare bene la zona dove si intende usare la macchina e togliere tutti gli oggetti

che possono essere catapultati dalla macchina.

3. ATTENZIONE - la benzina è altamente infiammabile.

- a. Conservare la benzina in contenitori appositi.
 - b. Aggiungere benzina all'aperto solamente e non fumare.
 - c. Aggiungere benzina prima di avviare il motore. Non togliere mai il coperchio del serbatoio o aggiungere benzina con il motore in funzione o quando è ancora caldo.
 - d. Se si versa della benzina, non tentare di avviare il motore, ma spostare la macchina lontano dalla zona dove è stata versata la benzina per evitare di provocare un incendio fino a quando i vapori di benzina non si siano dissipati.
 - e. Rimettere tutti i coperchi dei serbatoi e del contenitore saldamente.
4. Sostituire i silenziatori di scarico difettosi.
 5. Prima dell'uso controllare sempre che le lame, i bulloni delle lame e i gruppi di trancia non siano consumati o danneggiati. Sostituire le lame e i bulloni consumati o danneggiati in gruppo per preservare l'equilibrio.
 6. Fare particolare attenzione su macchine a più lame in quanto una lama in rotazione può causare la rotazione delle altre lame.

Uso

1. Non usare il motore al chiuso dove potrebbero raccogliersi pericolosi vapori di ossido di carbonio.
2. Tagliare l'erba solamente di giorno o con una buona illuminazione artificiale.
3. Prima di tentare di avviare il motore, disinnestare tutti gli innesti delle lame e mettere in folle.
4. Non usare su pendenze di più di 10 gradi.
5. Ricordarsi che non esiste una pendenza "sicura". L'uso su pendenze erbose richiede particolare attenzione. Per evitare di capottare:
 - a. non partire o fermarsi bruscamente in salita o discesa.
 - b. inserire la marcia lentamente, lasciare sempre la marcia inserita, specialmente in discesa;
 - c. limitare la velocità su pendenze e durante svolte brusche;
 - d. fare sempre attenzione a buche e dossi e altri pericoli nascosti.
 - e. non tagliare mai l'erba trasversalmente rispetto alla pendenza, a meno che non si usi una macchina creata appositamente.
6. Fare attenzione quando si trainano carichi o si usano macchine per servizi pesanti.
 - a. Usare solamente punti di aggancio della barra di traino approvati.
 - b. Trainare solamente carichi che si possono facilmente controllare.
 - c. Non fare svolte brusche. Fare attenzione durante la retromarcia.
 - d. Usare contrappesi o pesi per le ruote se suggerito nel libretto di istruzioni.
7. Fare attenzione al traffico quando si attraversa o vicino a strade.
8. Arrestare la rotazione delle ruote prima di attraversare superfici non erbose.
9. Quando si usano accessori, non dirigere mai lo scarico del materiale verso chi si trova nelle vicinanze e non lasciare che ci si avvicini alla macchina in funzione.

10. Non usare mai il tagliaerba con protezioni o schermature difettosi, o senza i dispositivi di sicurezza.
11. Non cambiare le impostazioni del regolatore del motore o accelerare a velocità eccessive. L'uso di un motore a velocità eccessiva può aumentare il pericolo di lesioni.
12. Prima di lasciare la posizione di guida
 - a. disinnestare l'avvio dell'alimentazione e abbassare gli accessori;
 - b. passare in folle e mettere il freno a mano;
 - c. fermare il motore e togliere la chiave
13. Disinnestare l'azionamento degli accessori, spegnere il motore e scollegare il filo (o fili) della candela di accensione o togliere la chiave di accensione
 - a. prima di pulire ostruzioni o liberare il piano inclinato
 - b. prima di controllare, pulire o lavorare sul tagliaerba;
 - c. dopo aver colpito un oggetto, controllare che il tagliaerba non sia danneggiato ed effettuare le riparazioni necessarie prima di usare nuovamente la macchina;
 - d. se la macchina inizia a vibrare in modo anormale (controllare immediatamente).
14. Disinnestare l'azionamento degli accessori durante il trasporto o quando la macchina non è in uso.
15. Fermare il motore e disinnestare l'azionamento degli accessori
 - a. prima di aggiungere benzina;
 - b. prima di togliere il raccogliherba;
 - c. prima di regolare l'altezza a meno che non si esegua la regolazione dalla posizione di guida.
16. Ridurre l'apertura della valvola a farfalla durante la corsa massima e, se il motore ha una valvola di arresto, arrestare il combustibile quando si finisce di tagliare l'erba.
17. Prima e durante la retromarcia, guardare **dietro e in basso** controllando che non ci siano bambini piccoli.
18. Fare particolare attenzione quando ci si avvicina ad angoli ciechi, cespugli, alberi o altri oggetti che possono limitare la visuale.

Manutenzione e conservazione

1. Fare attenzione su macchine a più lame, in quanto la rotazione di una lama può causare la rotazione delle altre lame.
2. Quando si intende parcheggiare, conservare o lasciare senza sorveglianza la macchina, abbassare i mezzi di taglio se non si usa un bloccaggio meccanico positivo.
3. Mantenere ben serrati tutti i bulloni, i dadi e le viti per assicurarsi che la macchina sia in condizione di funzionare in tutta sicurezza.
4. Non conservare mai la macchina con benzina nel serbatoio dentro un edificio dove i vapori possano raggiungere una fiamma non protetta o una scintilla.
5. Lasciare raffreddare il motore prima di conservare la macchina al chiuso.
6. Per ridurre il pericolo di incendi, pulire il motore, il silenziatore di scarico, lo scomparto della batteria e il serbatoio di benzina da erba, foglie o grasso eccessivo.
7. Controllare il raccogliherba frequentemente per verificare che non sia consumato o deteriorato.
8. Sostituire parti consumate o danneggiate per motivi di sicurezza.
9. Se si deve svuotare il serbatoio, farlo all'aperto.

MONTAGGIO

Tutti i dispositivi di fissaggio sono nel sacchetto delle parti. Non gettare parti o materiale fino a quando l'unità non sia completamente montata.



ATTENZIONE: prima di iniziare il montaggio o la manutenzione del tagliaerba, togliere il filo della candela di accensione,

NOTA: in questo libretto di istruzioni, sinistra e destra descrivono l'ubicazione di una parte con l'operatore nel sedile.

NOTA: le illustrazioni e i simboli iniziano a pagina 2.

NOTA: per montare i seguenti pezzi sciolti usare i dispositivi di fissaggio mostrati a grandezza naturale nella **Figura 25**.

Come installare le ruote anteriori (Figura 1)

Tagliare con un coltello i quattro lati del contenitore. Installare le ruote anteriori (1) nel contenitore.

NOTA: usare un pezzo di legno di circa 1,25 metri di lunghezza per sollevare la parte anteriore del trattore. Se non si trova un pezzo di legno simile, richiedere l'assistenza di un'altra persona per sollevare il trattore. Fare attenzione a non far cadere il trattore.

1. Sollevare la parte anteriore del trattore. Collocare un supporto (un blocco di legno) sotto il trattore.
2. Verificare che l'asta della valvola (2) sia verso l'esterno del trattore. Inserire la ruota anteriore (1) sull'albero (3).
3. Fissare le ruote anteriori (1) con rondella (4) e copiglia (5). Piegare le estremità della copiglia (5) separandole per fissare la ruota anteriore (1) sull'albero (3).
4. Dopo aver installato le ruote anteriori (1), sollevare il trattore dal supporto. Tirare il trattore fuori dal contenitore.
5. Se il trattore acquistato ne è dotato, installare i coprizzo (6). Verificare che le rondelle (4) fissino bene i coprizzo (6).

Come assemblare l'alloggiamento del tagliaerba (Figura 22)

1. Mettere il comando di rotazione della lama (1) in posizione DISINNESTO.
2. Spostare la leva di sollevamento (2) sulla posizione di regolazione del livello.



ATTENZIONE: La leva di sollevamento è caricata a molla. Verificare che la leva di sollevamento sia bloccata nella posizione di REGOLAZIONE LEVA.

3. Collegare il supporto anteriore (9) al piano con i dispositivi di fissaggio. Vedere l'illustrazione "H".
4. Spingere l'alloggiamento del tagliaerba sotto il lato destro dell'unità.
5. Collocare la cinghia di trasmissione del tagliaerba (7) attorno alla puleggia di scarico (8). Vedere l'illustrazione "G".

F-050744L

IMPORTANTE: Verificare che il lato a "V" della cinghia di trasmissione del tagliaerba sia contro la puleggia di scarico. Verificare inoltre che la cinghia di trasmissione del tagliaerba non sia storta.

6. Collegare il supporto anteriore (9) al supporto dell'asse. Vedere l'illustrazione "F".
7. Verificare che la cinghia di trasmissione del tagliaerba (7) si trovi tra la puleggia di scarico (8) e le due guide della cinghia (10). Vedere l'illustrazione "G".
8. Attaccare gli anelli della sospensione (4) al gruppo della camma. Fissare con i chiodini e le rondelle. Vedere le illustrazioni "A" e "B".
9. Collegare le staffe di regolazione destra e sinistra (3) alle staffe della sospensione. Fissare con i chiodini e le rondelle. Vedere le illustrazioni "C" e "D".
10. Collegare la molla di allungamento (5) all'asta di controllo della lama (6). Vedere l'illustrazione "E".
11. Spostare il comando di rotazione della lama nella posizione INNESTATO. Verificare che la cinghia di trasmissione del tagliaerba sia dentro le guide apposite.
12. Verificare che l'alloggiamento del tagliaerba sia a livello. Vedere le istruzioni su "Come regolare il livello dell'alloggiamento del tagliaerba".
13. (Figura NO TAG) Unire le ruote di supporto (12) ai bulloni dell'assale (11) con i dispositivi di fissaggio. Vedere l'illustrazione "I".
14. Controllare il funzionamento del comando di rotazione della lama. Vedere le istruzioni su "Come regolare il comando di rotazione della lama".

Come installare il sedile (Figura 2)

1. Togliere con cura l'involucro di plastica dal sedile (1).
2. Allineare i fori del cardine del sedile (2) con i fori del sedile (1). Fissare il sedile (1) al cardine del sedile (2) con i dispositivi di fissaggio (4) e (5).
3. Controllare la posizione di guida del sedile (1). Se il sedile (1) deve essere regolato, allentare i due bulloni ad alette (5). Far scivolare il sedile (1) in avanti o indietro lungo i fori di regolazione del sedile (3). Fissare i bulloni ad alette (5).

Come montare il volante (Figura 3)

1. Assicurarsi che le ruote anteriori puntino in avanti.
2. Far scivolare la copertura (3) sul piantone di guida (2). Verificare che il collare della copertura (3) sia in alto.
3. Far scivolare il volante (1) sul piantone di guida (2).
4. Applicare il volante (1) sul piantone (2) con la vite (4) e la rondella (6).

5. Alcuni modelli sono dotati di una guarnizione (7) *addizionale* nel sacchetto delle parti. Applicare la guarnizione (7) al centro del piantone di guida (1).

Batteria che non richiede manutenzione (Figura 4)

IMPORTANTE: prima di attaccare i cavi della batteria alla batteria, controllare la data della batteria, da cui si può determinare se la batteria deve essere caricata.

1. Controllare la data della batteria sulla parte superiore e sul lato della batteria (1).
2. Se la batteria (1) viene usata *prima della* data indicata, i cavi della batteria possono essere collegati senza prima caricare la batteria (1). Vedere "Come installare i cavi della batteria".
3. Se la batteria (1) viene usata *dopo la* , la batteria (1) deve essere caricata. Vedere "Come caricare la batteria".

Come caricare la batteria (Figura 4)



ATTENZIONE: non fumare quando si carica la batteria. Tenere la batteria al riparo da scintille. Le esalazioni acide della batterie possono causare un'esplosione.

1. Rimuovere la batteria (1) e il portabatteria (3).
2. Rimuovere il cappuccio protettivo dal terminale della batteria.
3. Usare un Caricabatterie da 12 volt per caricare la batteria (1). Caricare a 6 ampere per un'ora. Se non si ha un Caricabatterie, far caricare la batteria presso un centro di assistenza tecnica autorizzato.
4. Installare la batteria (1) e il portabatteria (3). Verificare che il terminale positivo (+) (4) sia a sinistra.

Come installare i cavi della batteria (Figura 4)



ATTENZIONE: per prevenire scintille, fissare il cavo rosso al terminale positivo (+) prima di collegare il cavo nero.

1. Rimuovere il cappuccio protettivo dal terminale della batteria.
2. Far passare il copritermine (2) sopra il cavo rosso (5). Fissare il cavo rosso (5) al terminale positivo (+) (4) con i dispositivi di fissaggio (6) e (7).
3. Fissare il cavo nero (8) al terminale negativo (-) con i dispositivi di fissaggio (6) e (7).

Controllare i pneumatici

Controllare la pressione dell'aria nei pneumatici. Pneumatici troppo gonfi sono duri, compromettendo il comfort del trattore durante la guida. Inoltre una pressione d'aria sbagliata impedirà al tagliaerba di tagliare uniformemente. La giusta pressione d'aria è di 0,97 BAR (14 PSI) per i pneumatici anteriori, 0,69 BAR (10 PSI) per i pneumatici posteriori. I pneumatici sono stati gonfiati in eccesso per la spedizione.

Controllare il livello dell'alloggiamento del tagliaerba

Assicurarsi che il livello del taglio sia ancora corretto. Dopo aver tagliato erba per un breve tratto, controllare la zona tagliata. Se l'alloggiamento del tagliaerba non taglia uniformemente, vedere le istruzioni su "Come regolare il livello dell'alloggiamento del tagliaerba" nella sezione sulla manutenzione, servizio e regolazione del libretto di istruzioni.

Come preparare il motore

NOTA: il motore è stato inviato dalla fabbrica pieno di olio. Controllare il livello dell'olio. Aggiungere olio se necessario.

Vedere le istruzioni del fabbricante per il tipo di benzina e olio da usare. Prima di usare l'unità, leggere le informazioni sulla sicurezza, l'uso, la manutenzione e la conservazione.



ATTENZIONE: seguire le istruzioni del fabbricante del motore per il tipo di benzina e olio di usare. Usare sempre un contenitore di sicurezza per la benzina. Non fumare quando si aggiunge benzina al motore. Non aggiungere benzina al chiuso. Prima di aggiungere benzina spegnere il motore. Attendere per alcuni minuti che il motore si raffreddi.

NOTA: In considerazione dei vari fattori ambientali e delle limitazioni d'uso, è probabile che la potenza effettiva sia inferiore a quella dichiarata.

Importante! Prima di iniziare a tagliare l'erba

- Controllare l'olio del motore.
- Riempire il serbatoio di benzina.
- Controllare la pressione dell'aria dei pneumatici.
- Controllare il livello dell'alloggiamento del tagliaerba.
- Collegare i cavi della batteria.

USO

NOTA: le illustrazioni e i simboli iniziano a pagina 2.

Ubicazione dei comandi (Figura 5)

Comando della rotazione della lama (1): usare il comando della rotazione della lama per avviare e fermare la rotazione della lama.

Pedale del freno (2): usare il pedale del freno per fermarsi prontamente.

Interruttore dei fari (3): l'interruttore dei fari è la prima parte dell'interruttore di accensione. Per usare i fari con il motore in moto, girare la chiave sulla posizione per i fari.

Interruttore di accensione (3): usare l'interruttore di accensione per accendere e spegnere il motore.

Pedale del controllo della velocità (4): usare il pedale del controllo della velocità per cambiare la velocità e la direzione dell'unità.

Leva di sollevamento (5): usare la leva di sollevamento per cambiare l'altezza del taglio.

Leva del freno a mano (6): usare la leva del freno a mano per innestare il freno quando ci si allontana dall'unità.

Leva del comando della valvola a farfalla (7): usare la leva del comando della valvola a farfalla per aumentare o diminuire la velocità del motore.

Disinnesto automatico della trasmissione (8): Usare il disinnesto automatico della trasmissione, che si trova sotto il sedile, per disinnestare la trasmissione.

Accessori

L'unità può usare numerosi diversi accessori. Questa unità può trainare accessori come una spazzatrice, un aeratore, o una concimatrice a tramoggia. Questa unità non può usare accessori che si inseriscono nel terreno come un aratro, un'erpice a dischi o un coltivatore. Per rimorchi o accessori da traino, il peso massimo è di 113 kg.

Come usare il comando della valvola a farfalla (Figura 5)

Usare il **comando della valvola a farfalla (7)** per aumentare o diminuire la velocità del motore.

1. La posizione VELOCE è indicata da un dente d'arresto. Spostare il comando della valvola a farfalla su questa posizione per l'uso normale e quando si usa un'insacchitrice. Per caricare al massimo la batteria e per un motore che funzioni ad una temperatura più bassa, usare la posizione VELOCE.
2. Il regolatore del motore è impostato in fabbrica per un rendimento ottimale. Non cambiarne l'impostazione per aumentare la velocità del motore.

Come usare il comando della rotazione della lama (Figura 5)

Usare il **comando della rotazione della lama (1)** per innestare la lama (o lame).

1. Prima di avviare il motore, verificare che il **comando della rotazione della lama (1)** sia nella posizione DISINNESTATO.
2. Spostare il **comando della rotazione della lama (1)** nella posizione INNESTATO per ruotare la lama (o lame).

NOTA: se il motore si ferma quando si innestano le lame, l'interruttore del sedile non è attivato. Sedersi al centro del sedile.

3. Spostare il **comando di rotazione della lama (1)** sulla posizione DISINNESTATO per fermare la lama (o lame). Prima di lasciare la posizione di operatore, verificare che la lama o lame abbiano interrotto la rotazione.
4. Prima di attraversare un marciapiede o una strada, spostare il **comando di rotazione della lama (1)** sulla posizione (DISINNESTATO).



ATTENZIONE: mantenere sempre mani e piedi lontano dalla lama, dall'apertura del deflettore e dall'alloggiamento del tagliaerba quando il motore è in funzione.

Come usare il pedale di controllo della velocità (Figura 5)

Il sistema di trasmissione utilizza una trasmissione idrostatica automatica. La trasmissione idrostatica è molto facile da usare. Questo tipo di trasmissione non richiede una leva del cambio o un pedale della frizione.

La velocità e direzione sono controllate da un unico **pedale di controllo della velocità (4)** per il piede destro. Non usare il pedale sinistro del freno nell'uso normale. Usarlo solamente per fermarsi prontamente in un'emergenza.

Per andare in avanti

1. (Figura 20) Il **disinnesto automatico della trasmissione (1)** deve essere in **posizione di MARCIA (2)**.
2. Sollevare lentamente il piede sinistro dal pedale del freno.
3. Mettere il comando della valvola a farfalla in posizione VELOCE.
4. (Figura 19) Spingere lentamente il **pedale di controllo della velocità (1) in avanti (4)** sulla velocità desiderata.
5. Per aumentare la velocità in avanti, spostare lentamente in avanti il **pedale di controllo della velocità (1)**. Per ridurre la velocità in avanti, lasciare lentamente andare il **pedale di controllo della velocità (1)** fino a quando l'unità non rallenta alla velocità desiderata.

Come guidare in retromarcia

1. Guardare indietro.
2. Spingere lentamente il **pedale di controllo della velocità (1) in posizione di RETROMARCIA (2)**.

Come cambiare direzione

AVVERTENZA: per cambiare direzione, non usare il pedale sinistro del freno. Usare solamente il pedale di controllo della velocità.

1. Sollevare lentamente il piede dal **pedale di controllo della velocità (1)**, che ritornerà automaticamente in FOLLE (3).
2. Quando l'unità si ferma, mettere lentamente il **pedale di controllo della velocità (1)** nella direzione desiderata.

Come disinnestare la trasmissione (Figura 20)

Per spingere l'unità usare il **disinnesto automatico della trasmissione (1)** per disinnestare la trasmissione. Il **disinnesto**

automatico della trasmissione (1) si trova sotto il sedile.

1. Il motore deve essere spento.
2. Sollevare il sedile. Il **disinnesto automatico della trasmissione (1)** si trova sotto il sedile.
3. Spostare e fissare il **disinnesto automatico della trasmissione (1)** in **posizione SPINTA (3)**. La trasmissione è così *disinnestata* e l'unità può essere spinta.

NOTA: in climi freddi, la densa viscosità dell'olio nella trasmissione renderà l'unità difficile da spingere.

4. Per innestare la trasmissione, liberare il **disinnesto automatico della trasmissione (1)**. La trasmissione è così *connessa* e pronta per l'uso.

Come usare il freno a mano (Figura 5)

1. Premere a fondo il **pedale del freno (2)**.
2. Alzare la **leva del freno a mano (6)**.
3. Lasciare andare il **pedale del freno (2)** e quindi lasciare andare la leva del freno a mano (6). Verificare che il freno a mano blocchi con sicurezza l'unità.
4. Per togliere il **freno a mano (6)**, premere a fondo il **pedale del freno (2)**. Il freno a mano verrà rilasciato automaticamente.



ATTENZIONE: prima di abbandonare la posizione di guida, mettere il freno a mano. Spostare il comando di rotazione della lama in **posizione DISINNESTO**. Spegnere il motore e togliere la chiave dell'accensione.

Come cambiare l'altezza di taglio (Figura 5)

Per cambiare l'altezza di taglio, alzare o abbassare la **leva di sollevamento (5)** nel modo seguente,

1. Spostare la **leva di sollevamento (5)** in avanti per abbassare l'alloggiamento del tagliaerba e all'indietro per alzare l'alloggiamento del tagliaerba.
2. Quando si attraversa un marciapiede o una strada, spostare la **leva di sollevamento (5)** sulla posizione più alta e spostare il **comando di rotazione della lama** sulla **posizione DISINNESTO**.

Come spegnere l'unità (Figura 5)

1. Sollevare lentamente il piede dal **pedale di controllo della velocità (4)**, che tornerà automaticamente in posizione FOLLE mentre l'unità si fermerà.
2. Spostare il **comando di rotazione della lama (1)** sulla **posizione DISINNESTO**.
3. Mettere il **freno a mano (6)**.



ATTENZIONE: verificare che il freno a mano blocchi sicuramente l'unità.

4. Spostare il **comando della valvola a farfalla (7)** sulla **posizione LENTO**.
5. Per spegnere il motore, girare la **chiave di accensione (3)** in **posizione OFF**. Togliere la chiave.

Come trasportare l'unità

Per trasportare l'unità, seguire le istruzioni qui sotto.

1. Spostare il comando di rotazione della lama sulla **posizione DISINNESTO**.

2. Alzare la leva di sollevamento alla posizione più alta.
3. Spostare il comando della valvola a farfalla in una posizione fra LENTO e VELOCE.
4. Spingere lentamente in avanti il pedale di controllo della velocità sulla velocità desiderata.

Come usare l'unità con l'alloggiamento del tagliaerba

IMPORTANTE: quando si usa l'unità con l'alloggiamento del tagliaerba, mettere sempre il comando della valvola a farfalla sulla posizione VELOCE.

1. Avviare il motore.
2. Spostare la leva di sollevamento su una posizione di taglio. Per erba alta o spessa, tagliare nella posizione più alta prima e poi abbassare l'alloggiamento del tagliaerba ad una posizione inferiore.
3. Spostare il comando della valvola a farfalla sulla posizione LENTO.
4. Spostare lentamente il comando di rotazione della lama sulla posizione INNESTO.
5. Spostare il comando della valvola a farfalla sulla posizione VELOCE.
6. Premere lentamente il pedale di controllo della velocità fino alla velocità desiderata.

NOTA: quando si taglia l'erba in prati spessi o si usa un'insaccatrice, usare una velocità in avanti lenta..

7. Assicurarsi che il livello di taglio sia ancora corretto. Dopo aver tagliato l'erba per un breve tratto, controllare la zona tagliata. Se l'alloggiamento del tagliaerba non taglia uniformemente, vedere le istruzioni su "Come regolare il livello dell'alloggiamento del tagliaerba" nella sezione sulla manutenzione.



ATTENZIONE: per un miglior controllo sull'unità, selezionare una marcia sicura.

Come usare l'unità su pendenze



ATTENZIONE: non andare in salita o discesa che sono troppo ripide per andare in senso longitudinale. Non attraversare mai una pendenza.

1. Controllare la velocità solamente mediante il pedale di controllo della velocità. Non usare il pedale del freno in collina.
2. Per prevenire un incidente, spostare lentamente il pedale di controllo della velocità. Evitare svolte o cambiamenti di velocità bruschi.
3. Per ridurre la velocità in avanti andando in discesa, rilasciare lentamente il pedale del controllo della velocità fino a quando l'unità non rallenta fino alla velocità appropriata.

Come fermarsi in pendenza

1. Evitare di fermarsi in pendenza. Se è necessario fermarsi rapidamente in un'emergenza, sollevare il piede destro dal pedale di controllo della velocità e premere rapidamente il pedale sinistro del freno.

2. Innestare il freno a mano.

F-050744L

3. Prima di alzarsi dal sedile, spostare il comando della valvola a farfalla sulla posizione LENTA, spostare la leva del comando della rotazione della lama sulla posizione DISINNESTATO, spegnere il motore e mettere il freno a mano.

Come avviare l'unità in pendenza

1. Mettere in moto l'unità.
2. Spostare la leva del comando della rotazione della lama sulla posizione INNESTATO.
3. Mettere il comando della valvola a farfalla sulla posizione VELOCE.
4. Premere il pedale del freno e rilasciare il freno a mano. Mentre si disinnesta il freno a mano, premere il pedale di controllo della velocità fino alla velocità appropriata.



Premere lentamente il pedale di controllo della velocità mentre si rilascia il freno a mano. Il freno a mano deve essere disinnestato perché il pedale di controllo della velocità possa ingranare la trasmissione.

Prima di avviare il motore

Controllare l'olio

NOTA: il motore è stato inviato dalla fabbrica pieno di olio. Controllare il livello dell'olio. Aggiungere olio se necessario. Consultare le istruzioni del fabbricante per il tipo di benzina e olio da usare.

1. Controllare che l'unità sia su una superficie piana.

NOTA: non controllare il livello dell'olio con il motore in moto.
2. Controllare l'olio. Seguire la procedura consigliata nelle istruzioni del fabbricante.
3. Se necessario, aggiungere olio fino a quando non raggiunga il segno di PIENO sull'asta di livello. La quantità d'olio necessaria fra AGGIUNGERE e PIENO è indicata sull'asta di livello. Non aggiungere troppo olio.

Aggiungere benzina



ATTENZIONE: usare sempre un contenitore di benzina di sicurezza. Non fumare quando si aggiunge benzina nel serbatoio di combustibile. Non aggiungere benzina al chiuso. Prima di aggiungere benzina, spegnere il motore e lasciarlo raffreddare per diversi minuti.

(Figura 6) Riempire il serbatoio di combustibile (1) fino alla posizione PIENO (2) con benzina senza piombo regolare. Non usare benzina senza piombo super. Verificare che la benzina sia fresca e pulita. Benzina con piombo aumenterà i depositi e ridurrà la durata delle valvole.

Come avviare il motore



ATTENZIONE: il sistema elettrico è dotato di un sistema che rileva la presenza dell'operatore mediante un interruttore a sensore sotto il sedile. Questi componenti comunicano al sistema elettrico la presenza dell'operatore sul sedile. Questo sistema spegnerà il motore quando l'operatore abbandona il sedile. Assicurarsi sempre che questo sistema sia funzionante per motivi di sicurezza.

NOTA: il motore non si avvierà a meno che non si prema il pedale della frizione/freno e sposti il comando di rotazione della lama sulla posizione DISINNESTO.

1. Premere a fondo il pedale del freno. Tenere il piede sul pedale.
2. Verificare che il comando di rotazione della lama sia in posizione DISINNESTO
3. Spostare completamente in avanti il comando della valvola a farfalla sulla posizione CHIUSA o VELOCE. Alcuni modelli hanno una manopola separata per la valvola dell'aria. Tirare la manopola della valvola dell'aria in posizione completamente CHIUSA.

4. Girare la chiave di accensione in posizione AVVIAMENTO.

NOTA: se il motore non parte dopo quattro o cinque tentativi, mettere il comando della valvola a farfalla in posizione VELOCE. Riprovare a far partire il motore. Se il motore non parte, consultare la sezione sulla SOLUZIONE DI PROBLEMI.

5. Mettere lentamente il comando della valvola a farfalla in posizione LENTO.
6. Per avviare un motore caldo, mettere il comando della valvola a farfalla in una posizione intermedia fra VELOCE e LENTO.

Suggerimenti per il taglio e la raccolta dell'erba

1. Per ottenere i migliori risultati da un punto di vista estetico controllare il livello di taglio dell'alloggiamento del tagliaerba. Consultare "Come regolare il livello dell'alloggiamento del tagliaerba" nella sezione sulla manutenzione.
2. Perché l'alloggiamento del tagliaerba tagli uniformemente, assicurarsi che i pneumatici abbiano la giusta pressione d'aria.
3. Controllare la lama ogni volta che si usa l'unità. Se la lama è piegata o danneggiata, sostituirla immediatamente. Verificare inoltre che il dado della lama sia ben stretto.
4. Mantenere affilata la lama (o lame). Lame consumate faranno ingiallire l'erba.
5. Non tagliare o raccogliere erba bagnata. L'erba bagnata non viene scaricata adeguatamente. Lasciar asciugare l'erba prima di tagliarla.
6. Usare il lato sinistro dell'alloggiamento del tagliaerba per tagliare attorno ad un oggetto.
7. Scaricare l'erba tagliata sulla zona tagliata per ottenere uno scarico più uniforme dell'erba.
8. Quando si taglia l'erba su ampie zone, iniziare girando a destra in modo che l'erba tagliata si scarichi lontano da cespugli, muri di recinzione, viali di accesso, etc. Dopo uno o due giri, tagliare l'erba nella direzione opposta girando a sinistra.
9. Se l'erba è molto alta, tagliarla due volte per diminuire il carico del motore. Prima tagliare con l'alloggiamento del tagliaerba sulla posizione più alta, quindi abbassare l'alloggiamento per il secondo taglio.


- 10. Per ottenere un miglior rendimento del motore e uno scarico uniforme dell'erba tagliata, usare sempre il motore con la valvola a farfalla in posizione VELOCE.
- 11. Quando si usa un'insacchiatrice, la valvola a farfalla dovrebbe essere in posizione VELOCE e il pedale di controllo della velocità dovrebbe essere premuto per un terzo/metà.
- 12. Dopo ogni uso, pulire la parte inferiore e superiore dell'alloggiamento del tagliaerba per ottenere un rendimento ottimale. Inoltre un alloggiamento del tagliaerba pulito aiuterà a prevenire incendi.

MANUTENZIONE

NOTA: le figure e i simboli iniziano a pagina 2.


Raccomandazioni generali

- 1. La manutenzione di questo prodotto è responsabilità dell'acquirente. Essa prolungherà la vita del prodotto ed è necessaria per mantenere la validità della garanzia.
- 2. Controllare la candela di accensione, il freno, lubrificare l'unità e pulire il filtro dell'aria una volta all'anno.
- 3. Controllare i dispositivi di fissaggio. Verificare che siano ben stretti.
- 4. Seguire la sezione sulla Manutenzione per mantenere l'unità in buone condizioni di funzionamento.

 **ATTENZIONE:** prima di un'ispezione, regolazione, o riparazione all'unità, scollegare il filo dalla candela di accensione. Togliere il filo dalla candela di accensione per evitare che il motore dia origine a un incidente.


NOTA: la torsione è misurata in Nm. Questa misurazione indica fino a che punto deve essere serrato un dado o un bullone. La torsione viene misurata con una chiave torsionometrica.

Controllare la lama (Figura 7)


 **ATTENZIONE:** prima di controllare o togliere la lama, scollegare il filo dalla candela di accensione. Se la lama colpisce un oggetto, fermare il motore. Controllare che l'unità non sia danneggiata. La lama è affilata, indossare guanti o usare un pezzo di tessuto per proteggere le mani nel toccarla.

Se si mantiene affilata la lama (1) e si controlla che non sia danneggiata, la lama taglierà meglio e sarà più sicura. Controllare frequentemente che la lama non sia troppo consumata, incrinata o danneggiata in altro modo. Controllare frequentemente il dado (3) che fissa la lama (1). Mantenere il dado (3) ben stretto. Se la lama colpisce un oggetto, arrestare il motore. Scollegare il filo dalla candela di accensione. Controllare che la lama non sia piegata o danneggiata. Controllare che l'adattatore della lama (5) non sia danneggiato. Prima di usare l'unità, sostituire le parti danneggiate con parti originali. Consultare il centro di assistenza autorizzato locale. Ogni tre anni fare ispezionare la lama o sostituire la vecchia lama con una parte originale da un tecnico autorizzato.

Come togliere e installare la lama (Figura 7)

- 1. Togliere l'alloggiamento del tagliaerba. Vedere le istruzioni su "Come rimuovere l'alloggiamento del tagliaerba".
 - 2. Usare un pezzo di legno per impedire che la lama giri.
 - 3. Togliere il dado (3) che fissa la lama (1).
 - 4. Controllare la lama (1) e l'adattatore della lama (5) secondo le istruzioni contenute nella sezione "Controllare la lama". Sostituire una lama consumata o danneggiata con una lama originale. Consultare un centro assistenza autorizzato locale.
 - 5. Pulire la parte superiore e inferiore dell'alloggiamento del tagliaerba. Eliminare l'erba e i detriti.
 - 6. Montare la lama (1) e l'adattatore della lama (5) sul mandrino (6).
 - 7. Montare la lama (1) in modo che i bordi di sollevamento (7) siano verso l'alto. Se la lama è capovolta, non taglierà correttamente e può causare incidenti.
 - 8. Fissare la lama (1) con la rondella e dado originali (3). Verificare che il bordo esterno della molla Belleville (2) sia contro la lama (1).
-  **ATTENZIONE:** il dado (3) che fissa la lama deve essere sempre ben stretto (1). Un dado o una lama allentanti possono causare un incidente.
- 9. Serrare il dado (3) che fissa la lama (1) con una torsione di 41,5 Nm.
 - 10. Installare l'alloggiamento del tagliaerba. Vedere la sezione "Come rimuovere l'alloggiamento del tagliaerba".


Come regolare il comando di rotazione della lama

 **ATTENZIONE:** il comando di rotazione della lama deve funzionare correttamente per prevenire lesioni.

In condizioni normali di uso, il comando di rotazione della lama non richiederà regolazioni. Tuttavia, se il rendimento peggiora o la qualità del taglio è scadente, effettuare le seguenti modifiche.

- 1. Quando si taglia l'erba, verificare che il comando della valvola a farfalla sia in posizione VELOCE.
- 2. (Figura 8) Mettere il comando di rotazione della lama in posizione DISINNESTO (1).
- 3. Spegnerne il motore. Scollegare il filo dalla candela di accensione.
- 4. Controllare la lama (o lame). Mantenerle affilate. Una lama non affilata farà ingiallire l'erba.
- 5. (Figura 9) Scollegare la molla di azionamento della lama (2) dall'asta di controllo della lama (1). Mettere la molla di azionamento della lama (2) nel foro centrale (4). In questo modo si diminuisce la tensione sulla cinghia di trasmissione del tagliaerba.
- 6. Collegare il filo alla candela di accensione. Tagliare l'erba per un breve tratto e ricontrollare la qualità del taglio. Se necessario, spostare la molla di azionamento della lama (2) sul foro inferiore (5).

- 7. Ricontrollare la qualità del taglio. Se non è migliorata, sostituire la cinghia di trasmissione del tagliaerba. Vedere la sezione "Come sostituire la cinghia di trasmissione del tagliaerba". Se sostituendo la cinghia non si corregge il problema, portare l'unità presso un centro di assistenza autorizzato.
- 8. Mettere il comando di rotazione della lama in posizione DISINNESTO. Fermare il motore.
- 9. (Figura 10) Controllare il funzionamento del freno della lama. Girare a mano le pulegge. Verificare che i cuscinetti del freno (1) siano premuti fermamente contro le puleggie.


 **ATTENZIONE:** se i cuscinetti del freno (1) non premono fermamente contro le pulegge, portare l'unità presso un centro di assistenza autorizzato.

- 10. (Figura 8) Mettere il comando di rotazione della lama in posizione INNESTO (2).
- 11. (Figura 10) Controllare i cuscinetti del freno della lama (7). Se i cuscinetti sono eccessivamente consumati o danneggiati, sostituire i gruppi dei cuscinetti del freno. Parti di ricambio corrette e assistenza sono disponibili presso un centro di assistenza autorizzato.
- 12. Collegare il filo alla candela di accensione. Tagliare l'erba per un breve tratto e ricontrollare il funzionamento del comando di rotazione della lama.
- 13. Quando si mette il comando di rotazione della lama in posizione DISINNESTO, ogni movimento si interromperà entro cinque secondi. Se la cinghia continua a muoversi o le lame continuano a girare, innestare e disinnestare il comando di rotazione della lama cinque volte per eliminare la gomma in eccesso della cinghia di trasmissione di un nuovo tagliaerba. Per assistenza, portare l'unità presso un centro di assistenza autorizzato.
- 14. (Figura 9) Se si sostituisce la cinghia di trasmissione del tagliaerba, spostare la molla di azionamento della lama (2) nel foro superiore (3).

Come controllare e regolare la cinghia di trasmissione (Figura 18 e Figura 21)

Se la cinghia di trasmissione è allentata, la cinghia slitta andando in salita, trainando un carico pesante, o l'unità non andrà in avanti.

IMPORTANTE: usare sempre l'unità con il motore in posizione VELOCE. Se il motore è in posizione lenta o moderata, il motore e la trasmissione possono riscaldarsi eccessivamente e causare problemi simili a quelli causati da una cinghia di trasmissione allentata.

 **ATTENZIONE:** prima di effettuare un controllo, una regolazione, o di riparare l'unità, scollegare il filo dalla candela di accensione. Togliere il filo dalla candela per evitare che il motore si metta in funzione inavvertitamente.

- 1. (Figura 21) Controllare il percorso della cinghia di trasmissione del movimento (6). Assicurarsi che la cinghia di trasmissione del movimento (6) sia installata correttamente all'interno delle sue guide (7).
- 2. (Figura 18) Scollegare l'articolazione della frizione (1) dal braccio della puleggia folle (2).


3. (Figura 21) Allineare il foro nella **leva del freno (3)** con il foro nel telaio. Mantenere ferma la **leva del freno (3)** con un **chiodino o un bullone da 6 mm (4)**.
4. (Figura 18) Scollegare l'articolazione della **frizione (1)** fino a quando il **foro di montaggio (5)** non sia allineato nel **braccio della puleggia folle (2)**.
5. Collegare l'articolazione della **frizione (1)** al **braccio della puleggia folle (2)**.
6. (Figura 21) Rimuovere il **chiodino o bullone da 6 mm (4)**.
7. Se la cinghia continua a slittare dopo la regolazione della cinghia, significa che la cinghia di trasmissione è consumata o danneggiata e deve essere sostituita. Vedere "Come sostituire la cinghia di trasmissione".

Come controllare e regolare il freno di guida (Figura 12 e 20)

(Figura 20) Innestare il freno a mano. Spostare il **disinnesto automatico della trasmissione** in posizione **SPINTA (3)**. Spingere l'unità. Se le ruote posteriori girano, regolare o sostituire i cuscinetti del freno.


Regolare il **freno di trasmissione (4)** nel seguente modo:


1. (Figura 12) Il **freno di trasmissione (4)** si trova a destra della **scatola degli ingranaggi (5)**.
2. (Figura 20) Assicurarsi che il freno a mano sia innestato e che il **disinnesto automatico della trasmissione (1)** sia in posizione **SPINTA (3)**.
3. (Figura 12) Girare il **dado esagonale (6)** in senso orario fino a quando le ruote non girano più quando l'unità viene spinta in avanti.
4. Rilasciare il freno a mano e spingere l'unità. Se l'unità non si sposta, girare il **dado esagonale (6)** in senso antiorario fino a quando l'unità si sposta.
5. Mettere il freno a mano. Spingere l'unità. Se le ruote posteriori non girano, il **freno (4)** è regolato correttamente. Rilasciare il freno a mano.

 **ATTENZIONE:** se non si può regolare correttamente il freno di guida, sostituire i cuscinetti del freno. Parti di ricambio corrette e assistenza sono disponibili presso un centro di assistenza autorizzato.

Come rimuovere la batteria (Figura 4)

Per caricare o pulire la **batteria (1)**, togliere la **batteria (1)** dall'unità nel modo seguente.

 **ATTENZIONE:** per prevenire scintille, scollegare il **cavo nero della batteria (8)** dal **terminale negativo (-)** prima di scollegare il **cavo rosso (5)**.


 **ATTENZIONE:** la batteria contiene **acido solforico** che è dannoso per la pelle, gli occhi e gli indumenti. Se l'acido entra in contatto con il corpo o gli indumenti, lavare con acqua.

1. Scollegare il **cavo nero (8)** dal **terminale negativo (-)**.


F-050744L

2. Scollegare il **cavo rosso (5)** dal **terminale positivo (+) (4)**.
3. Sollevare il **portabatteria (3)** e la **batteria (1)** dall'unità.

Come caricare la batteria (Figura 4)

 **ATTENZIONE:** non fumare quando si carica la batteria. Tenere la batteria al riparo da scintille. Le esalazioni acide della batteria possono causare un'esplosione.

1. Prima di caricare la **batteria (1)**, rimuoverla dall'unità.
2. Per caricare la **batteria (1)**, usare un Caricabatterie da 12 volt. Caricare a 6 ampere per un'ora.
3. Installare la **batteria (1)**.


 **ATTENZIONE:** per prevenire scintille, fissare il **cavo rosso al terminale positivo (+)** prima di collegare il **cavo nero**.

4. Fissare il **cavo rosso (5)** al **terminale positivo (+) (4)** con i dispositivi di fissaggio come illustrato.
5. Fissare il **cavo nero (8)** al **terminale negativo (-)** con i dispositivi di fissaggio come illustrato.

Come regolare le ruote di supporto

I bulloni dell'assale per le ruote di supporto sono stati montati nella posizione di taglio BASSO. Per modificare la posizione delle ruote di supporto, spostare i bulloni dell'assale nel modo seguente.

IMPORTANTE: prima di regolare le ruote di supporto, si deve fare quanto segue. Verificare che l'alloggiamento del tagliaerba sia a livello. Verificare che l'altezza del taglio sia impostata sull'altezza appropriata per il prato. Tagliare l'erba in una piccola zona piana e controllare il risultato. Se l'alloggiamento del tagliaerba non taglia uniformemente, vedere le istruzioni "Come regolare il livello dell'alloggiamento del tagliaerba."

 **ATTENZIONE:** prima di effettuare un controllo, una regolazione, o riparazione sull'unità, scollegare il filo della candela. Togliere il filo della candela per evitare di mettere in moto il motore inavvertitamente.

6. 1. (Figura 22, illustrazione "I") Togliere le **ruote di supporto (12)** e i **bulloni dell'assale (11)**.
2. (Figura 13) Tagliare l'erba in una piccola zona piana per controllare il livello e l'altezza del taglio. Controllare il **numero della posizione dell'altezza di taglio (3)** sulla **leva di sollevamento (1)**.
3. (Figura 22, illustrazione "I") Osservare ciascuna **staffa delle ruote di supporto (13)**. Vi sono 3 fori in ciascuna staffa e un numero accanto a ciascun foro. Il numero per l'altezza della posizione di taglio sulla leva di sollevamento indica il foro corretto da usare per ciascuna **staffa delle ruote di supporto (13)**.


NOTA: il foro numero 1 della staffa della ruota equivale alla posizione numero 1 della leva di sollevamento, il foro numero 2 della staffa della ruota equivale alla posizione numero 2 della leva di sollevamento, il foro numero 3 della staffa della ruota equivale alle posizioni numero 3,4,5,6 della leva di sollevamento.

9. 4. Attaccare i **bulloni dell'assale (11)** alle **staffe delle ruote di supporto (13)** usando il foro corretto nella staffa come indicato.


NOTA: se l'altezza della posizione di taglio viene cambiata dalla leva di sollevamento, si devono spostare le ruote di supporto sul foro corretto per mantenere uniforme l'altezza di taglio.

Come regolare il livello dell'alloggiamento del tagliaerba (Figura 13 e Figura 14)

Se l'alloggiamento del tagliaerba è perfettamente orizzontale, la lama taglierà meglio e con migliori risultati estetici.

 **ATTENZIONE:** prima di effettuare un controllo, una regolazione, o di riparare l'unità, scollegare il filo dalla candela di accensione. Togliere il filo dalla candela per evitare che il motore si metta in funzione inavvertitamente.

1. Assicurarsi che l'unità sia su una superficie dura e piatta.
2. Controllare la pressione dell'aria nei pneumatici. Se la pressione dell'aria non è corretta, l'alloggiamento del tagliaerba non taglierà uniformemente. La giusta pressione d'aria è di 0,97 BAR (14 PSI) per i pneumatici anteriori, 0,69 BAR (10 PSI) per i pneumatici posteriori.
3. Se l'unità ne è dotata, rimuovere le ruote di supporto.
4. (Figura 13) Spostare la **leva di sollevamento (1)** sulla posizione di **regolazione del livello (2)**.

 **ATTENZIONE:** la **leva di sollevamento (1)** è caricata a molla. Assicurarsi che la **leva di sollevamento (1)** sia bloccata sulla **posizione di regolazione del livello (2)**.

5. (Figura 14) Allentare le **manopole di regolazione sinistra e destra (1)**. Premere ciascun lato dell'alloggiamento del tagliaerba. Assicurarsi che entrambi i lati sull'alloggiamento del tagliaerba siano appoggiati su una superficie piatta. Accertarsi inoltre che gli anelli di sollevamento siano allentati e possano spostarsi facilmente in su e in giù.
6. Premere gli anelli di **sollevamento (2)** e serrare le **manopole di regolazione (1)** destra e sinistra. Se necessario usare una chiave per serrare le **manopole di regolazione (1)**.
7. (Figura 13) Sollevare la **leva di sollevamento (1)** dalla **posizione di regolazione del livello (2)** a una posizione di altezza di taglio.
8. Se l'unità ne è dotata, montare le ruote di supporto.
9. Tagliare l'erba per un breve tratto. Se l'altezza del taglio non è uniforme, ripetere le fasi più sopra.

Dove effettuare la lubrificazione (Figura 15)



I modelli con raccordi da ingrassare: Usare una pompa da ingrassaggio per lubrificare. Applicare il grasso con un pennello sulle parti mostrate. Lubrificare le parti mostrate con olio per motore.

NOTA: applicare il grasso sul gruppo sterzo.

AVVERTENZA: se l'unità viene usata in zone asciutte con sabbia, usare uno spray di grafite secca per lubrificare l'unità.

Controllare i pneumatici

Controllare la pressione dell'aria nei pneumatici. Pneumatici troppo gonfi sono duri, compromettendo il comfort del trattore durante la guida. Inoltre una pressione d'aria sbagliata impedirà al tagliaerba di tagliare uniformemente. La giusta pressione d'aria è di 0,97 BAR (14 PSI) per i pneumatici anteriori, 0,69 BAR (10 PSI) per i pneumatici posteriori.

Come sostituire la cinghia di trasmissione del movimento

1. Rimuovere l'alloggiamento del tagliaerba. Vedere le istruzioni su "Come rimuovere l'alloggiamento del tagliaerba".
2. (Figura 16) Rimuovere la puleggia folle centrale (4).
3. Scollegare la molla della puleggia folle (7).
4. Rimuovere la puleggia folle (8) e il distanziatore (9).
5. Rimuovere la puleggia folle a V (5) e il distanziatore (13).
6. Rimuovere la cinghia di trasmissione del movimento (1) dalla puleggia motrice (6).
7. (Figura 17) Per rimuovere la cinghia di trasmissione del movimento (1) dalla puleggia di scarico (2), tirare l'estremità anteriore della cinghia sotto la puleggia di scarico (2) e quindi indietro fra la puleggia e la piastra di guida (3).
8. (Figura 11) Rimuovere il pannello di accesso (10).
9. Rimuovere le due viti (11) che fissano il gruppo della leva di guida (12). Alzare il volante e il gruppo della leva di guida (12). Tirare la cinghia di trasmissione del movimento (1) sotto il gruppo della leva di guida (12).
10. Rimuovere la cinghia di trasmissione del movimento (1). Le corrette parti di ricambio e assistenza sono disponibili presso il centro di assistenza autorizzato di zona.
11. Per installare la cinghia di trasmissione, ripetere a ritroso le operazioni descritte qui sopra.

12. (Figura 16) Controllare il percorso della cinghia di trasmissione del movimento(1). Verificare che la cinghia di trasmissione del movimento sia installata correttamente sulle pulegge folli.
13. Prima di usare l'unità, controllare la regolazione della frizione. Vedere le istruzioni "Come controllare e regolare la frizione".
14. Installare l'alloggiamento del tagliaerba. Vedere le istruzioni su "Come installare l'alloggiamento del tagliaerba".

Come sostituire la cinghia di trasmissione (Figura 10)

1. Rimuovere l'alloggiamento del tagliaerba. Vedere le istruzioni su "Come rimuovere l'alloggiamento del tagliaerba".
2. Tirare il fermo della cinghia (1) allontanandolo dalla puleggia folle (2) e rimuovere la cinghia di trasmissione del tagliaerba (3).
3. Tirare il fermo della cinghia (1) allontanandolo dalla puleggia del mandrino destro (5) e rimuovere la cinghia di trasmissione del tagliaerba (3).
4. Tirare il fermo della cinghia (4) lontano dalla puleggia del mandrino sinistro (6) e rimuovere la cinghia di trasmissione del tagliaerba (3). La parte di ricambio corretta e assistenza sono disponibili presso il centro assistenza autorizzato più vicino.
5. Per installare la cinghia di trasmissione del tagliaerba, ripetere a ritroso le fasi descritte qui sopra.

Come rimuovere l'alloggiamento del tagliaerba (Figura 22)

1. Mettere il comando di rotazione della lama (1) in posizione DISINNESTO.
2. Spostare la leva di sollevamento (2) sulla posizione di regolazione del livello.



La leva di sollevamento è a molla. Assicurarsi che la leva di sollevamento sia bloccata nella posizione REGOLAZIONE LIVELLO.

3. Rimuovere i chiodini e le rondelle dalle staffe di regolazione (3). Vedere le illustrazioni "C" e "D".
4. Rimuovere i chiodini e le rondelle dagli anelli di sospensione (4). Vedere le illustrazioni "A" e "B".
5. Scollegare la molla di allungamento (5) dall'asta di controllo della lama (6). Vedere l'illustrazione "E".
6. Scollegare il supporto anteriore (9) dal supporto dell'asse. Vedere l'illustrazione "F".
7. Togliere la cinghia di trasmissione del tagliaerba (7) dalla puleggia di scarico (8).
8. Allontanare l'alloggiamento del tagliaerba dal lato destro dell'unità.
9. Per installare l'alloggiamento del tagliaerba, ripetere a ritroso le fasi descritte qui sopra.

Come sostituire il fusibile

Se il fusibile brucia, il motore non partirà. Rimuovere il fusile e sostituirlo con un fusibile per autoveicoli da 15 amp.

Conservazione (oltre 30 giorni)

Alla fine dell'anno, preparare l'unità per la conservazione nel modo seguente.

1. Svuotare la benzina dal carburatore e dal serbatoio. Cambiare l'olio del motore. Consultare le istruzioni del fabbricante del motore.
2. Pulire l'intera unità.
3. Caricare la batteria.

Come ordinare pezzi di ricambio

I pezzi di ricambio sono mostrati nelle ultime pagine di questo libretto di istruzioni o in un libretto apposito.

Usare solamente pezzi di ricambio autorizzati o approvate dal fabbricante. La lettera alla fine del numero di catalogo del pezzo indica il tipo di finitura dello stesso: C per Cromo, Z per zinco, e PA per Gruppo acquistato (Purchased Assembly). È importante indicare questa lettera nell'ordinare il pezzo. Non usare accessori non specificamente raccomandati per questa unità. Per ottenere i pezzi di ricambio corretti, si deve indicare il numero di catalogo del tagliaerba (vedere la targhetta).

I pezzi di ricambio, tranne il motore, la trasmissione, il gruppo cambio differenziale posteriore, il differenziale, sono disponibili presso il negozio in cui è stato acquistato il tagliaerba o presso un negozio specializzato da esso raccomandato.

In caso non si potessero ottenere pezzi di ricambio o manutenzione nel modo indicato più sopra, contattare:

HAYTER LIMITED,
Service Department,
Spellbrook,
Bishop's Stortford,
Hertfordshire. CM23 4BU.

MURRAY, INC.

International Sales
P.O. Box 268
Brentwood, Tennessee USA 37024
1-800-251-8007

Fax (615) 373-6633 Non verranno accettate telefonate a carico del ricevente.

I pezzi di ricambio per il motore, la trasmissione, il gruppo cambio differenziale posteriore, il differenziale, sono disponibili presso il centro assistenza elencato nella sezione commerciale della rubrica telefonica. Vedere inoltre le garanzie individuali per il motore o la trasmissione per ordinare pezzi di ricambio.

Per ordinare sono necessarie le seguenti informazioni:

- (1) Numero di modello
- (2) Numero di serie
- (3) Numero di catalogo
- (4) Quantità

SOLUZIONE DI PROBLEMI

PROBLEMA: il motore non si avvia.

1. Seguire le istruzioni della sezione "Come avviare il motore" di questo libretto.
2. Modelli ad avviamento elettrico: pulire i terminali della batteria. Stringere i cavi.
3. Controllare che non vi sia un filo allentato. Serrare gli interruttori di fine corsa (vedere il diagramma del cablaggio).
4. Svuotare il serbatoio di benzina. Pulire il tubo di alimentazione. Sostituire il filtro del carburante.
5. Rimuovere la candela (o candele) di accensione. Mettere la valvola a farfalla in posizione LENTO. Girare la chiave di accensione sulla posizione ON. Provare ad avviare il motore diverse volte. Installare la candela di accensione.
6. Sostituire la candela.
7. Regolare il carburatore.

PROBLEMA: Il motore non si ribalta.

1. Seguire le istruzioni della sezione "Come avviare il motore" di questo libretto.
2. Modelli ad avviamento elettrico: Caricare la batteria.
3. Sostituire il fusibile.
4. Controllare che la filatura non sia danneggiata o un connettore non sia allentato. Riparare il filo danneggiato.
5. Modelli ad avviamento elettrico: sostituire il solenoide. Modelli ad avviamento autoavvolgente: sostituire il modulo.

PROBLEMA: il motore si avvia con difficoltà.

1. Regolare il carburatore.
2. Sostituire la candela di accensione.
3. Sostituire il filtro del carburante.

PROBLEMA: il motore non gira uniformemente o perde potenza.

1. Controllare l'olio.
2. Pulire il filtro dell'aria.
3. Pulire lo schermo dell'aria.
4. Sostituire la candela di accensione.
5. Il motore è sottoposto a sforzo eccessivo. Usare una marcia più bassa.
6. Regolare il carburatore.
7. Sostituire il filtro del carburante.

PROBLEMA: il motore non gira uniformemente ad alta velocità.

1. Sostituire la candela di accensione.
2. Regolare il comando della valvola a farfalla.
3. Pulire il filtro dell'aria.

4. Sostituire il filtro del carburante.

PROBLEMA: il motore si ferma quando le lame sono innestate.

1. Controllare che la filatura non sia danneggiata o non vi sia un connettore allentato. Riparare il filo danneggiato.
2. Occorre installare il raccoglierba (pertinente solamente per i modelli con raccoglierba a scarico posteriore d'erba).

PROBLEMA: il motore si ferma su pendenze.

1. Tagliare l'erba in senso longitudinale sulla pendenza. Non tagliare mai l'erba attraverso una pendenza.

PROBLEMA: il motore non gira al minimo.

1. Sostituire la candela di accensione.
2. Pulire il filtro dell'aria.
3. Regolare il carburatore.
4. Regolare il comando della valvola a farfalla.
5. Svuotare il serbatoio di benzina. Pulire il tubo di alimentazione. Sostituire il filtro del carburante.

PROBLEMA: quando il motore è caldo si verifica una diminuzione della potenza.

1. Pulire il filtro dell'aria.
2. Controllare l'olio.
3. Regolare il carburatore.
4. Sostituire il filtro del carburante.

PROBLEMA: vibrazione eccessiva.

1. Sostituire la lama.
2. Controllare che i bulloni della lama non siano allentati.
3. Diminuire la pressione dell'aria nei pneumatici.
4. Regolare il carburatore.
5. Controllare che la cinghia o la puleggia non siano danneggiate. Sostituire le parti danneggiate.

PROBLEMA: l'erba non viene scaricata correttamente.

1. Fermare il motore. Pulire l'alloggiamento del tagliaerba.
2. Alzare l'altezza del taglio.
3. Sostituire o affilare la lama (o lame).
4. Mettere la leva del cambio su una marcia più bassa.
5. Spostare il comando della valvola a farfalla sulla posizione VELOCE.
6. Sostituire la molla della puleggia folle della lama.

7. Pulire il tubo di prolunga e il tubo di collegamento (pertinente solamente per i modelli con raccoglierba a scarico posteriore d'erba).

PROBLEMA: l'alloggiamento del tagliaerba non taglia uniformemente.

1. Controllare la pressione dell'aria nei pneumatici.
2. Regolare il livello dell'alloggiamento del tagliaerba.
3. Controllare l'asse anteriore. Se l'asse anteriore non ruota liberamente, allentare il bullone (o bulloni) dell'asse.

PROBLEMA: le lame del tagliaerba non ruotano.

1. Controllare la cinghia di trasmissione del tagliaerba. Verificare che sia installata correttamente.
2. Sostituire la cinghia di trasmissione del tagliaerba.

PROBLEMA: l'unità non si sposta quando il freno viene rilasciato e si preme il pedale di controllo della velocità.

1. Controllare la cinghia di trasmissione del movimento. Verificare che sia installata correttamente.
2. Regolare la frizione.
3. Sostituire la cinghia di trasmissione del movimento.
4. Rilasciare il disinnesto automatico della trasmissione che si trova sotto il sedile.

PROBLEMA: quando si preme il pedale di controllo della velocità l'unità si sposta lentamente o si ferma.

1. Regolare la frizione.
2. Sostituire la cinghia di trasmissione del movimento.

PROBLEMA: quando il pedale del freno viene rilasciato, si può sentire il rumore della cinghia.

1. Se la cinghia fa rumore temporaneamente, il funzionamento dell'unità non viene compromesso. Se il rumore è continuo, controllare il percorso della cinghia. Verificare che la cinghia si trovi all'interno di tutte le relative guide.
2. Se il rumore è continuo, regolare la frizione.

PROBLEMA: le ruote posteriori girano su terreno accidentato.

1. Controllare l'asse anteriore. Se l'asse anteriore non ruota liberamente, allentare il bullone (o bulloni) dell'asse.

INHOUD

INTERNATIONALE PICTOGRAMMEN	44
INFORMATIE VOOR DE EIGENAAR	45
VEILIGE BEDIENING	45
MONTAGE	46
BEDIENING	47
ONDERHOUD	48
TROUBLESHOOTING SCHEMA	52

MURRAY, INC.

TWEEJARIGE BEPERKTE GARANTIE

Murray, Inc. biedt de eerste eigenaar van dit produkt garantie gedurende **twee jaar** dat dit produkt, bij normaal gebruik en onderhoud, vrij is van defecten aan materiaal en als gevolg van samenstelling. Echter, deze garantie heeft geen betrekking op de motor en accessoires zoals sneeuwblazers, sneeuwmessen, graszakvullers, transmissies, accu's en aan normale slijtage onderhevige onderdelen (uitzonderingen worden hieronder genoemd) of op verbindingssassen, aangezien de bedrijven die deze produkten maken deze zelf garanderen en service aanbieden via hun eigen erkende service centers. Zie de garantieteksten behorend bij deze bijzondere onderdelen voor aanvullende informatie. Als u er niet zeker van bent of uw machine uitgerust is met één of meer van deze onderdelen, vraag hier dan naar tijdens de aankoop. Onderhevig aan de voorwaarden en condities beschreven in deze Beperkte Garantie, zullen wij gedurende de garantietermijn, naar ons goeddunken, enig defect onderdeel dat valt onder deze Beperkte

Garantie gratis repareren of vervangen, zolang de machine in bezit is van de eerste eigenaar. Als binnen een periode van negentig (90) dagen na aankoop blijkt dat de accu defect is, zullen wij deze gratis vervangen. Als binnen een periode tussen 90 en 120 dagen na aankoop blijkt dat de accu defect is, zullen wij deze vervangen voor de helft van de winkelprijs zoals die geldt op het moment van teruggave.

Onderdelen die aan normale slijtage onderhevig zijn, zijn aandrijfriemen, messen, mes tussenstukken, luchtbanden, koplampen en stoelbekleding. Deze onderdelen worden gegarandeerd qua materiaal en toepassing tijdens de aankoop van het produkt. Alle claims voor reparatie of vervanging van zulke onderdelen moeten binnen dertig (30) dagen na aanschafdatum ingediend worden. Claims die betrekking hebben op gebruik van het produkt, misbruik of verkeerd gebruik zullen niet worden gehonoreerd.

Deze **Murray, Inc. tweejarige beperkte garantie is exclusief**. Echter, de garantie is ongeldig of niet van toepassing op enige machine waarvan veranderingen zijn aangebracht of die misbruikt of gebruikt is voor verhuur of commerciële doeleinden (anders dan privégebruik). Uw garantie heeft geen betrekking op kleine mechanische aanpassingen die niet het gevolg zijn van mankementen aan materiaal of vakmanschap. Zie uw gebruikshandleiding voor het uitvoeren van zulke aanpassingen.

Teneinde een claim onder deze **Murray, Inc. tweejarige (2) beperkte garantie** in te dienen, moet u de machine (of bij goedkeuring vooraf, het defecte onderdeel) samen met bewijs van

aankoop naar een gemachtigd service center bij u in de buurt brengen. Het dichtstbijzijnde gemachtigde service center kunt u vinden door met de landelijke distributeur te bellen of in de gouden gids te kijken. Indien u de gehele machine terug brengt, zullen wij deze repareren. Als wij u toestaan om alleen het defecte onderdeel terug te brengen, zullen wij dat repareren of vervangen. Indien de transmissie of het differentiël (niet de verbindingssas) defect zijn, moet de gehele transmissie of differentiël ingeleverd worden, aangezien deze geen losse vervangbare onderdelen bevatten.

Deze **Murray, Inc. tweejarige (2) beperkte garantie** geeft u bepaalde wettelijke rechten en u kunt eventueel ook andere rechten hebben. **De beperkte garantie is in plaats van alle andere expliciete of impliciete garanties, inclusief de impliciete garantie op verhandelbaarheid en op geschiktheid voor een bepaald doel.** Indien u meer wenst te weten over deze schriftelijke garantie of assistentie verlangt in het verkrijgen van service, schrijf dan naar:

HAYTER LIMITED,
Service Department,
Spellbrook,
Bishop's Stortford,
Hertfordshire. CM23 4BU.

MURRAY, INC.

International Sales
P.O. Box 268
Brentwood, Tennessee USA 37024
1-800-251-8007
Fax (615) 373-6633

INTERNATIONALE PICTOGRAMMEN

BELANGRIJK: De volgende pictogrammen bevinden zich op uw machine of in de daarbijbehorende literatuur. Voordat u de machine gaat bedienen, moet u de betekenis en het doel van elk pictogram leren begrijpen.

OPMERKING: Illustraties en pictogrammen beginnen op pagina 2.

Veiligheids- en waarschuwings-pictogrammen (Figuur 23)

- 1 Waarschuwing.
- 2 BELANGRIJK: Lees de gebruiksaanwijzing voordat u deze machine gaat bedienen.
- 3 WAARSCHUWING: Uitgeworpen voorwerpen. Houdt omstanders op afstand. Lees de gebruiksaanwijzing voordat u deze machine gaat bedienen.
- 4 WAARSCHUWING: Gebruik deze machine niet op hellingen van meer dan 10 graden.

- 5 GEVAAR: Houdt omstanders en vooral kinderen uit de buurt van de machine.
- 6 GEVAAR: Dit is geen trede.
- 7 GEVAAR: Houdt voeten en handen uit de buurt van draaiende messen.
- 8 Opgegeven geluidvermogensniveau van 100 dB(A) volgens Richtlijn 2000/14/EG.
- 9 GEVAAR: Verwijder de bougiekabel van de bougie voordat u onderhoud aan de machine uitvoert.
- 10 WAARSCHUWING: Heet oppervlak.
- 11 WAARSCHUWING: Wees voorzichtig bij het aansluiten en loskoppelen van accessoires.
- 12 WAARSCHUWING: Vingers kunnen bekneeld raken.
- 13 BELANGRIJK: Volg de instructies in de Handleiding om het maaibehuing horizontaal te zetten.

- 14 WAARSCHUWING: zolang de motor draait, dient u uit de buurt van het mes blijven.

Bedieningspictogrammen (Figuur 24)

- 1 Starten van de motor
- 2 Lichten
- 3 Laten draaien van de motor
- 4 Stoppen van de motor
- 5 Laten draaien van de motor
- 6 Rem
- 7 Handrem
- 8 Koppeling
- 9 Langzaam
- 10 Snel
- 11 Choke
- 12 Olie
- 13 Bediening mesrotatie
- 14 Omhoog brengen
- 15 Brandstof

MODEL NO.: 425607x52A

SKU No.:

YYYY MM DD: _____

SERIAL NO.:

2750 min-1

196 kg

Assembled in Lawrenceburg, TN 38464, U.S.A.



Opgegeven trillingsemissiewaarden volgens Richtlijn 98/37/EG.

Trillingsemissie volgens BS EN 1032:

Stoel < 0,5 m/s², Rechter treeplank 1,05 m/s², Linker treeplank 1,69 m/s²

Trillingsemissie volgens BS EN 1033: Stuurwiel 0,95 m/s²

Deze waarden zijn bepaald voor een stationair draaiende machine bij 2750 toeren per minuut op een betonnen oppervlak met de bestuurder in de bestuurdersstoel.

Opgegeven geluidvermogensniveau van 100 dB(A) volgens Richtlijn 2000/14/EG.

Geluidsdrumniveaus bij de bestuurdersstoel 83 dB.

Deze waarden zijn bepaald bij het oor in overeenstemming met specificaties EN 836/A2:2001.

INFORMATIE VOOR DE EIGENAAR

Ken uw machine: Als u de machine en de werking ervan begrijpt krijgt u de beste resultaten. Vergelijk de illustraties van de machine met de werkelijkheid, terwijl u deze handleiding doorleest. Leer de werking van de bedieningselementen en waar ze zich bevinden. Volg de bedieningsaanwijzingen en de veiligheidsregels om een ongeluk te voorkomen. Bewaar deze handleiding om hem later te kunnen raadplegen.



WAARSCHUWING: Let op! Dit symbool duidt op belangrijke veiligheidsmaatregelen. Dit symbool betekent: "Let en pas op! Uw veiligheid kan in gevaar zijn."

Verantwoordelijkheid van de eigenaar



WAARSCHUWING: Dit is een snijdende machine die in staat is handen en voeten te amputeren en voorwerpen weg te slingeren. Veronachtzaming van de volgende veiligheidsaanwijzingen kan resulteren in ernstig letsel of de dood voor de bestuurder en omstanders.

Het is de verantwoordelijkheid van de eigenaar om de onderstaande aanwijzingen op te volgen.

VEILIGE BEDIENING

Voor rijdende zitmaaiersmet roterende messen

Training

1. Lees de instructies nauwkeurig. Wees vertrouwd met de bediening en het juiste gebruik van de machine.
2. Sta nooit toe dat kinderen of mensen die niet bekend zijn met deze instructies de machine gebruiken. Lokale regels kunnen een minimum leeftijd voor de bestuurder voorschrijven.
3. Maai nooit als er omstanders, in het bijzonder kinderen, of huisdieren in de buurt zijn.
4. Onthoud dat de bestuurder of gebruiker verantwoordelijk is voor ongevallen of blootstelling aan gevaar aan derden of hun bezittingen.
5. Neem nooit passagiers mee.
6. Alle bestuurders moeten ervoor zorgen dat ze professionele en praktische instructie krijgen. Zulke instructie moet de nadruk leggen op:
 - a. de noodzaak voor behoedzaamheid en concentratie bij het werken met zitmaaiers;
 - b. de controle over de machine die gaat glijden op een helling kan niet worden herkegen door de rem te gebruiken. De belangrijkste redenen voor het verliezen van controle zijn:
 - onvoldoende grip op de wielen;
 - te snel rijden;
 - verkeerd remmen;
 - het soort maaier is ongeschikt voor de taak;
 - onbekendheid met de grondcondities, in het bijzonder hellingen;
 - verkeerd optrekken en verkeerde ladingverdeling.

Vorbereiding

1. Draag tijdens het maaien altijd stevige schoenen en F-050744L

- een lange broek. Bedien de machine niet met blote voeten of met sandalen aan.
2. Onderwerp het te maaien gebied aan een grondige inspectie en verwijder alle voorwerpen die door de machine uitgeworpen zouden kunnen worden.
3. **WAARSCHUWING: Benzine is zeer brandbaar.**
 - a. Bewaar brandstof in containers die speciaal voor dit doel ontworpen zijn
 - b. Voeg benzine toe in de frisse lucht en rook niet.
 - c. Voeg benzine toe voordat u de motor aanzet. Verwijder nooit de benzine tankdop of voeg benzine toe terwijl de motor loopt of nog heet is.
 - d. Als er benzine gemorst is, mag u de motor niet starten, maar moet u de machine van de plek met de gemorste benzine verwijderen en voorkomen dat er een vonk kan optreden, totdat de benzine verdampt is.
 - e. Schroef alle doppen van benzine containers en tanks zorgvuldig vast.
4. Vervang defecte geluidsdempers.
5. Controleer voor gebruik altijd dat de messen, mesbouten en snijconstructie niet versleten of beschadigd zijn. Vervang versleten of beschadigde bladen en bouten in paren zodat het evenwicht niet verstoord wordt.
6. Bij machines met meerdere bladen kan het draaien van één blad tot gevolg hebben dat andere bladen ook gaan bewegen.

Bediening

1. Gebruik de machine niet in een afgesloten ruimte, waar zich gevaarlijke koolmonoxyde dampen kunnen ophopen.
2. Maai alleen bij daglicht of goed kunstlicht.
3. Voordat u de motor start, moet u alle mesassessoires loskoppelen en de koppeling in de neutrale stand zetten.
4. Gebruik de machine niet op hellingen van meer dan 10°.
5. Onthoud dat er geen "veilige" hellingen bestaan. Het rijden over grashellingen vraagt om speciale aandacht. Om omkantelen te voorkomen, moet u:
 - a. niet plotseling stoppen of optrekken, terwijl u omhoog of omlaag rijdt;
 - b. de koppeling langzaam op laten komen en de motor altijd in de versnelling laten, vooral wanneer u de helling af rijdt;
 - c. langzaam rijden op hellingen en in scherpe bochten;
 - d. oppassen voor hobbels, kuilen en andere verborgen gevaren;
 - e. nooit loodrecht op hellingrichting rijden, tenzij de maaier voor dit doel ontworpen is.
6. Pas op bij het trekken van ladingen of het gebruiken van zwaar materieel.
 - a. Gebruik alleen de daarvoor bestemde trekhaken.
 - b. Vervoer alleen ladingen die u kunt beheersen.
 - c. Maak geen scherpe bochten. Pas op bij het achteruit schakelen.
 - d. Gebruik tegengewichten of gewichten aan de wielen als dat in het Instructieboek wordt aangeraden.
7. Let op het andere verkeer bij het oversteken van wegen.
8. Zet het roteren van de messen af voordat u over iets anders dan gras rijdt.
9. Als u assessoires gebruikt, let er dan op dat er nooit materiaal in de richting van omstanders geslingerd

- wordt. Laat nooit iemand in de buurt van de machine als deze aan het werken is.
10. Bedien de maaier nooit als de beschermkappen kapot zijn. De beschermkappen moeten altijd op hun plaats zitten.
11. Verander de instellingen van de reguleur van de machine niet en voer hem niet op. Het gebruiken van een machine bij te hoge snelheid kan de kans op gevaar of persoonlijk letsel vergroten.
12. Voordat u van de bestuurdersplaats afstapt, moet u
 - a. de motor ontkoppelen en de assessoires laten zakken;
 - b. de motor in de neutrale stand zetten en de handrem aantrekken;
 - c. de motor afzetten en het contactsleuteltje verwijderen.
13. Ontkoppel de assessoires, stop de motor en trek de bougiekabel(s) los of verwijder het contactsleuteltje, voordat u
 - a. verstoppingen in de trechter of elders verhelpt;
 - b. de maaier controleert, reinigt of er aan wilt werken;
 - c. de maaier inspecteert nadat u een obstakel geraakt hebt. Voer, indien nodig, reparaties uit voordat u de machine opnieuw start en gebruikt;
 - d. de motor controleert bij abnormaal trillen. (Ondertijd stoppen.)
14. Koppel de assessoires los als u de maaier niet gebruikt of deze wilt transporteren.
15. Zet de motor af en ontkoppel de assessoires voordat u
 - a. benzine bijvult;
 - b. de grasopvangverwijderd;
 - c. de hoogte aanpast, tenzij dat vanaf de bestuurdersplaats kan gebeuren.
16. Neem gas terug aan het einde van de maaiactiviteiten. Draai de benzinekraan dicht, indien de motor hiermee is uitgerust.
17. Voordat u achteruit rijdt, moet u **naar achteren en beneden** kijken om u ervan te vergewissen dat er geen kleine kinderen in de buurt zijn.
18. Wees extra voorzichtig bij blinde hoeken, struiken, bomen of andere obstakels die het zicht kunnen wegnemen.

Onderhoud en opslag

1. Bij machines met meerdere messen kan het bewegen van één mes de andere messen ook in beweging zetten. Wees voorzichtig!
2. Als u de machine parkeert of weg zet, moet u het snijgedeelte van de machine laten zakken tenzij u het stut of vast zet.
3. Zorg ervoor dat alle moeren, bouten en schroeven vast aangedraaid zitten om er zeker van te zijn dat de machine in veilige staat verkeert.
4. Parkeer de machine nooit met benzine in de tank, in een afgesloten ruimte waar de dampen met een vlam of vonk in aanraking kunnen komen.
5. Laat de motor afkoelen voordat u de machine in een afgesloten ruimte weg zet.
6. Verwijder gras, bladeren en overmatig smeervet van de geluidsdemper, het accucompartiment en van de benzine opslagplaats om gevaar voor brand te verminderen.
7. Controleer de grasvanger regelmatig op slijtage.
8. Vervang versleten of beschadigde onderdelen om veiligheidsredenen.
9. Als het nodig blijkt de benzinetank af te tappen, moet dit in de frisse lucht gebeuren.

MONTAGE

Alle bevestigingsmaterialen zitten in de zak met onderdelen. Gooi geen onderdelen of materiaal weg voordat de maaier inelkaar gezet is.



WAARSCHUWING: Voordat u aan de maaier werkt, moet u de bougiekabel lostrekken.

OPMERKING: In deze handleiding zijn de termen links en rechts gebruikt vanuit het gezichtspunt van de berijder.

OPMERKING: Illustraties en pictogrammen beginnen op pagina 2.

OPMERKING: De bevestigingsmaterialen die u moet gebruiken om de volgende losse onderdelen te monteren, zijn op ware grootte weergegeven in *figuur 25*.

Installeren van de voorwielen (*Figuur 1*)

Geruik een mes om de vier kanten van de container open te snijden. Plaats de voorwielen (1) in de container.

OPMERKING: Gebruik een blok hout van ongeveer 1,25 m. lang om de voorkant van de tractor omhoog te brengen. Als er geen hout aanwezig is kan iemand anders helpen om de tractor op te tillen. Pas op dat de tractor niet valt.

1. Til de voorkant van de tractor op en leg het blok hout onder de tractor.
2. Zorg ervoor dat het ventiel (2) aan de buitenkant komt te zitten. Schuif het voorwiel op de as (3).
3. Maak beide voorwielen vast met een ring (4) en splitpen (5). Buig de einden van de splitpen (5) om, zodat het voorwiel niet van de as (3) afglijden kan.
4. Als de voorwielen geïnstalleerd zijn mag u de tractor van het blok hout tillen en uit de container duwen.
5. Plaats de wioldoppen (6), indien uw tractor daarmee uiterst is. Zorg ervoor dat de ringen (4) de wioldoppen (6) op hun plaats houden.

Monteren van de maaibehuizing (*Figuur 22*)

1. Zet de mesrotatiehendel (1) in de DISENGAGE stand.
2. Zet de hoogte-instellingshendel (2) in de hoogte instelstand.



WAARSCHUWING: De hoogte-instellingshendel is verbonden met een veer. Zorg ervoor dat de ophefhendel in de LEVEL ADJUSTMENT stand vastgezet is.

3. Maak de voorste beugel (9) met de klemmen aan het dek vast. Zie afbeelding "H".
4. Duw de maaibehuizing onder de rechterzijde van de machine.
5. Plaats de maaiaandrijfriem (7) rond de stapelschijf (8). Zie illustratie "G".

BELANGRIJK: Zorg ervoor dat de "V" kant van de maaiaandrijfriem tegen de stapelschijf aan zit. Let er ook op dat er geen slag in de maaiaandrijfriem zit.

6. Maak de voorste beugel (9) vast aan de ondersteuning. Zie afbeelding "F".
7. Vergewis u ervan dat de maaiaandrijfriem (7) tussen de stapelschijf (8) en de twee riemgeleidingen (10) zit. Zie illustratie "G".

F-050744L

8. Maak de ophangingverbindingen (4) aan de optileenheid vast. Gebruik de haarspeldpennen en de ringetjes. Zie afbeelding "A" en "B".
9. Verbind de rechter en linker instelarmen (3) met de ophangingbeugels. Gebruik de haarspeldpennen en de ringetjes. Zie afbeelding "C" en "D".
10. Maak de veer (5) vast aan de mesbedieningsstang (6). Zie afbeelding "E".
11. Zet de mesrotatiebediening in de ENGAGE stand. Zorg ervoor dat de maaiaandrijfriem binnen alle riemgeleiders valt.
12. Zorg ervoor dat de maaibehuizing horizontaal is. Zie de aanwijzingen onder "Horizontaal stellen van de maaibehuizing".
13. (*Figuur NO TAG*) Verbind de meetwielen (12) met de asbouten (11) d.m.v. de bevestigingsmaterialen. Zie illustratie "I".
14. Controleer de werking van de mesrotatieregeling. Zie de aanwijzingen onder "Instellen van de Mesrotatieregeling".

Installeren van de bestuurdersstoel (*Figuur 2*)

1. Verwijder voorzichtig de plastic zak van de bestuurdersstoel (1).
2. Plaats de gaten in de stoelscharnier (2) en de gaten in de stoel (1) over elkaar. Bevestig de stoel (1) aan de stoelscharnier (2) met de bevestigingsmaterialen (4) en (5).
3. Controleer de stand van de stoel (1). Maak de twee vleugelmoeren (5) los indien de stoel (1) ingesteld moet worden. Schuif de stoel (1) naar voren of achteren via de stoelinstelgaten (3). Maak de vleugelmoeren (5) weer vast.

Montage van het stuurwiel (*Figuur 3*)

1. Zorg ervoor dat de voorwielen recht staan.
2. Schuif de kap (3) over de stuurstang (2). Zorg ervoor dat de uitstekende rand van de kap (3) aan de bovenkant zit.
3. Schuif het stuurwiel (1) op de stuurstang (2).
4. Maak het stuurwiel (1) vast aan de stuurstang (2) met schroef (4) en ringetje (6).
5. Sommige modellen hebben een optioneel plaatje (7) voor het stuurwiel in de zak met onderdelen. Bevestig het plaatje (7) in het midden van het stuurwiel (1).

Onderhoudsvrije accu (*Figuur 4*)

BELANGRIJK: Controleer de datum op de accu voordat u de accukabels bevestigt. Deze datum geeft aan of de accu opgeladen moet worden.

1. De datum van de accu staat boven en op de zijkant van de accu (1).
2. Als de datum later is dan vandaag, hoeft de accu (1) niet opgeladen te worden en kunnen de accukabels bevestigd worden. Zie "Installeren van de accukabels".
3. Als de datum vroeger is dan vandaag, moet de accu (1) opgeladen worden. Zie "Opladen van een onderhoudsvrije accu".

Opladen van de accu (*Figuur 4*)



WAARSCHUWING: Rook niet tijdens het opladen van de accu. Houd de accu uit de buurt van vonken. De dampen van het accuzuur kunnen een explosie veroorzaken.

1. Verwijder de accu (1) en accubak (3).

2. Verwijder de kap van de pol.
3. Gebruik een acculader van 12 Volt om de accu op te laden (1). Laadt de accu op gedurende 1 uur onder 6 Ampère. Als u geen acculader heeft, moet u de accu door een erkend service center laten opladen.
4. Installeer de accu (1) en accubak (3). Zorg ervoor dat de positieve (+) pool (4) aan de linker kant komt te zitten.

Installeren van de accukabels (*Figuur 4*)



WAARSCHUWING: Om vonken te voorkomen, moet u de rode kabel met de positieve (+) pool verbinden voordat u de zwarte kabel aansluit.

1. Verwijder de kap van de accupol.
2. Schuif het poolkapje (2) op de rode kabel (5). Bevestig de rode kabel (5) aan de positieve (+) pool (4) met de bevestigingsmaterialen (6) en (7).
3. Bevestig de zwarte kabel (5) aan de negatieve (-) pool met de bevestigingsmaterialen (6) en (7).

Controleer de banden

Controleer de bandenspanning. Banden met te veel lucht hebben tot gevolg dat de machine ruw rijdt. De verkeerde bandenspanning zal verder tot gevolg hebben dat de maaier onregelmatig maait. De juiste bandenspanning is: voor 0,97 BAR (14 PSI), achter 0,69 BAR (10 PSI). Voor verschepping waren de banden extra opgepompt.

Controleer de hoogte van de behuizing

Controleer of de maaihogte gelijkmatig is. Maai een kort stukje en kijk naar het gemaaide oppervlak. Als de maaier niet egaal maait, volg dan de instructies onder "Richten van de maaierbehuizing" in het hoofdstuk Onderhoud en Afstellen van deze handleiding.

In gereedheid brengen van de motor

OPMERKING: De motor was in de fabriek met olie gevuld. Controleer het oliepeil en vul eventueel olie bij.

Zoek in de handleiding van de motorfabrikant op welk soort benzine en olie u moet gebruiken. Lees eerst de informatie over veiligheid, bediening, onderhoud en opslag.



WAARSCHUWING: Zoek in de handleiding van de motorfabrikant op welk soort benzine en olie u moet gebruiken. Gebruik altijd een goedgekeurde jerry-can. Rook niet tijdens het bijvullen van benzine. Zet de motor af en laat deze eerst enige minuten afkoelen. Bijvullen van benzine mag nooit in afgesloten ruimtes gebeuren.

OPMERKING: De werkelijke voortdurende paardenkracht zal waarschijnlijk lager zijn door de bedrijfsbeperkingen en omgevingsfactoren.

Belangrijk! Voor het maaien moet u:

- de motorolie peilen,
- de tank met benzine vullen,
- de bandenspanning controleren,
- de stand van de maaibehuizing controleren,
- de accukabels bevestigen.

BEDIENING

OPMERKING: Illustraties en pictogrammen beginnen op pagina 2.

Plaats van de bedieningselementen (Figuur 5)

Bediening van de mesrotatie (1): Gebruik om de mesrotatie in werking te zetten en te stoppen.

Rempedaal (2): Gebruik het rempedaal om snel te stoppen.

Lichtschakelaar (3): De lichtschakelaar is het eerste gedeelte van de ontstekingschakelaar. Draai, terwijl de motor loopt, de sleutel in de stand voor het licht.

Ontstekingschakelaar (3): Gebruik de ontstekingschakelaar om de motor te starten en te stoppen.

Snelheidspedaal (4): Gebruik het snelheidspedaal om de snelheid of de rijrichting van de machine te veranderen.

Hoogte-instellingshendel (5): Gebruik de hoogte-instellingshendel om de maaihogte in te stellen.

Handrem (6): Trek de handrem aan als u de bestuurdersplaats verlaat.

Gashendel (7): Gebruik de gashendel om de snelheid van de motor te verhogen of te verlagen.

Automatische aandrijvingsontkoppeling (8): Gebruik de automatische aandrijvings-ontkoppeling om de transmissie te ontkoppelen. Deze bevindt zich onder de stoel.

Assessoires

Deze machine kan gebruikt worden met meerdere assessoires. Deze machine kan een gazonveger, beluchter of zaaigoedverdelers trekken. Hij is echter niet geschikt om assessoires te trekken die met de bodem in aanraking komen, zoals een ploeg, eg of cultivator.

Het maximale gewicht voor aanhangassessoires is 113 kg.

Gebruik van de gashendel (Figuur 5)

Gebruik de **gashendel (7)** om de snelheid van de motor te verhogen of te verlagen.

1. De FAST stand is met een streepje gemarkeerd. Zet de gashendel in de FAST stand voor normaal gebruik en wanneer u een grasopvangzak gebruikt. Met de motor in de FAST stand wordt deze het best gekoeld en de accu maximaal opgeladen.
2. De regelateur is in de fabriek optimaal afgesteld. Verander de instelling niet om de motor sneller te laten draaien.

Bediening van de mesrotatie (Figuur 5)

Gebruik deze hendel om de **mesrotatie (1)** in werking te zetten en te stoppen.

1. Voordat u de motor aan zet, moet u zich ervan vergewissen dat de **mesrotatiehendel (1)** in de DISENGAGE stand staat.
2. Zet de **mesrotatiehendel (1)** in de ENGAGE stand om de messen te laten draaien.

OPMERKING: Als de motor afslaat terwijl u de mesrotatie probeert aan te zetten, is het stoelcontact niet gesloten. Zorg ervoor dat u midden op de stoel zit.

3. Zet de **mesrotatiehendel (1)** in de DISENGAGE stand om de messen te laten stoppen met draaien. Zorg ervoor dat de messen volledig stil staan voordat u de bestuurdersplaats verlaat.
4. Zet de **mesrotatiehendel (1)** in de DISENGAGE stand voordat u een trottoir of een weg over steekt.



WAARSCHUWING: houd altijd uw handen en voeten uit de buurt van de messen, de uitworpopening en de motorbehuizing als de motor draait.

Bedienen van de snelheidspedaal (Figuur 5)

Het aandrijfsysteem gebruikt een hydrostatische automatische transmissie. De hydrostatische transmissie is gemakkelijk te bedienen. Dit soort aandrijving heeft geen pook of een koppelingspedaal nodig.

De snelheid en rijrichting kunt u beide met het **snelheidspedaal (4)** bedienen met uw rechter voet. Gebruik het linkse rempedaal niet tijdens normaal gebruik. Dit pedaal is alleen voor snel stoppen tijdens noodgevallen.

Voorwaarts rijden

1. (Figuur 20) De automatische aandrijvingsontkoppeling (1) moet in de **DRIVE stand (2)** staan.
2. Haal langzaam uw linker voet van het rempedaal af.
3. Zet de gashendel in de FAST stand.
4. (Figuur 19) Trap het **snelheidspedaal (1)** langzaam in (4), totdat u de gewenste snelheid heeft bereikt.
5. Trap het **snelheidspedaal (1)** langzaam verder in om de snelheid te verhogen. Laat het **snelheidspedaal (1)** langzaam opkomen om de snelheid te verlagen.

Achteruit rijden

1. Kijk eerst achter u.
2. Duw het **snelheidspedaal (1)** langzaam in **REVERSE (achteruit)stand (2)**.

Veranderen van rijrichtings

LET OP! Gebruik alleen het **snelheidspedaal om van rijrichting te veranderen en niet het linker rempedaal.**

1. Haal langzaam uw voet van het **snelheidspedaal (1)** af. Het **snelheidspedaal (1)** zal automatisch in de **NEUTRALE stand (3)** gaan staan.
2. Nadat de machine gestopt is kunt u langzaam het **snelheidspedaal (1)** in de gewenste stand zetten.

Ontkoppelen van de transmissie (Figuur 20)

Ten einde de machine te duwen, moet u de **automatische aandrijvingsontkoppeling (1)** gebruiken om de transmissie te ontkoppelen. De **automatische aandrijvingsontkoppeling (1)** bevindt zich onder de stoel.

1. De motor moet uit staan.

2. Klap de stoel omhoog. De **automatische aandrijvingsontkoppeling (1)** bevindt zich onder de stoel.
3. Zet de automatische **aandrijvingsontkoppeling (1)** in de **PUSH-stand (3)**. De transmissie is nu **ontkoppeld** en de machine kan geduwd worden.
OPMERKING: In koud weer is de olie in de transmissie erg visceus, hetgeen duwen moeilijk maakt.
4. Zet de automatische **aandrijvingsontkoppeling (1)** vrij om de koppeling in te schakelen. De transmissie is nu **ingeschakeld** en klaar om te werken.

Gebruik van de handrem (Figuur 5)

1. Trap het **rempedaal (2)** volledig in.
2. Trek de **handrem (6)** omhoog.
3. Haal uw voet van het **rempedaal (2)** af en laat de **handrem (6)** weer los. Vergewis u ervan dat de handrem de machine op zijn plaats houdt.
4. Om de **handrem (6)** los te zetten, moet u het **rempedaal (2)** volledig intrappen. De handrem zal automatisch los komen.



WAARSCHUWING: Voordat u van de bestuurdersplaats afstapt, moet u de handrem aantrekken, de mesbedieningshendel in de DISENGAGE stand zetten, de motor afzetten en het contact-sleuteltje verwijderen.

Instellen van de maaihogte (Figuur 5)

Om de maaihogte te veranderen, moet u de **hoogte-instellingshendel (5)** als volgt omhoog of omlaag bewegen:

1. Duw de **hoogte-instellingshendel (5)** naar voren om de maaibehuizing te laten zakken en naar achteren om de maaierbehuizing omhoog te brengen.
2. Als u over een trottoir of weg rijdt, moet u de **hoogte-instellingshendel (5)** in de hoogste stand zetten en de mesbedieningshendel in de DISENGAGE stand zetten.

De machine tot stilstand brengen (Figuur 5)

1. Haal langzaam uw voet van het **snelheidspedaal (4)** af. Het **snelheidspedaal (4)** zal automatisch in de **NEUTRALE stand** gaan staan en de machine zal tot stilstand komen.
2. Zet de **mesbedieningshendel (1)** in de DISENGAGE stand.
3. Trek de **handrem (6)** aan.
WAARSCHUWING: Vergewis u ervan dat de handrem de machine op zijn plaats houdt.
4. Zet de **gashendel (7)** in de SLOW stand.
5. Zet de motor af door het **contactsleuteltje (3)** naar de OFF stand te draaien en verwijder het.

Transporteren van de machine

Volg de stappen hieronder om de machine te transporteren.

1. Zet de mesbedieningshendel in de DISENGAGE stand.

2. Zet de hoogte-instellingshendel in de hoogste stand.
3. Zet de gashendel tussen SLOW en FAST in.
4. Trap het snelheidspedaal langzaam in om de gewenste snelheid te bereiken.

Bedienen van de maaierbehuizing

BELANGRIJK: Als u de maaierbehuizing bedient moet de gashendel altijd in de FAST stand staan.

1. Start de motor.
2. Zet de hoogte-instellingshendel in de stand die u wilt. Hoog of dik gras moet u eerst in de hoogste stand maaien. Daarna kunt u het in een lagere stand maaien.
3. Zet de gashendel in de SLOW stand.
4. Duw de mesbedieningshendel langzaam naar de ENGAGE stand.
5. Zet de gashendel in de FAST stand.
6. Trap het snelheidspedaal langzaam in totdat de gewenste snelheid bereikt is.

OPMERKING: Rij met lage snelheid als u dik gras maait of een grasopvangzak gebruikt.

7. Controleer dat de maaihoogte nog steeds juist is. Maai een korte afstand en kijk naar het gemaaide oppervlak. Zie de aanwijzingen onder "Instellen van de maaibe huizing" in het hoofdstuk Onderhoud indien de maaibe huizing niet egaal maait.



WAARSCHUWING: Rij met lage snelheid om betere controle over de machine te hebben.

Werken op hellingen



WAARSCHUWING: Rij nooit hellingen op of af die te steil zijn om in z'n achteruit te beklimmen. Rij nooit loodrecht op hellingsrichting.

1. Regel de snelheid alleen met het snelheidspedaal. Gebruik de rem nooit op een helling.
2. Om een ongeluk te voorkomen, moet u het snelheidspedaal behoedzaam intrappen of op laten komen. Voorkom scherpe bochten of plotselinge snelheidsveranderingen.
3. Om snelheid teug te nemen bij het afrijden van een helling, moet u het snelheidspedaal langzaam op laten komen, totdat de machine de gewenste snelheid heeft bereikt.

Stoppen op een helling

1. Voorkom stoppen op een helling. Indien u bij een noodgeval toch moet stoppen, haal dan uw voet van het snelheidspedaal en trap het linker rempedaal geheel in.
2. Trek de handrem aan.
3. Voordat u de bestuurdersstoel verlaat, moet u de gashendel in de SLOW stand zetten, de hendel van de koppeling van de mesrotatie in de DISENGAGED stand zetten, de motor af zetten en de handrem aantrekken.

Starten op een helling

1. Start de motor.
F-050744L

2. Zet de hendel van de koppeling van de mesrotatie in de ENGAGED stand.
3. Zet de gashendel in de FAST stand.
4. Trap het rempedaal in en zet de handrem los. Terwijl u de handrem los zet, moet u het snelheidspedaal al naar gewenst intrappen.



Trap het snelheidspedaal langzaam in terwijl u de handrem los zet. De handrem moet vrij zijn voordat het snelheidspedaal de transmissie kan activeren.

Alvorens de motor te starten

Controleren van het oliepeil

OPMERKING: De motor werd in de fabriek met olie gevuld. Controleer het oliepeil en voeg zondig olie bij. Zie de aanwijzingen van de motorfabrikant voor de juiste olie-soort.

1. Zorg dat de machine horizontaal staat.

OPMERKING: Controleer de olie nooit terwijl de motor draait.

2. Controleer het oliepeil en volg de aanwijzingen van de motorfabrikant.
3. Voeg zondig olie bij tot dat het FULL streepje bereikt wordt. De hoeveelheid benodigde olie is op de peilstok aangegeven. Voeg niet te veel bij.

Bijvullen van benzine



WAARSCHUWING: Gebruik altijd een veilige jerrycan. Rook niet tijdens het bijvullen van benzine. Voeg alleen benzine bij in de frisse lucht. Zet de motor af en laat deze eerst enige minuten afkoelen.

(Figuur 6) Vul de benzinetank (1) tot de FULL (2) lijn met gewone, ongelode benzine. Gebruik geen super. Zorg dat de benzine vers en schoon is. Gebruik van gelode benzine zal aanslag tot gevolg hebben en de levensduur van de kleppen verminderen.

Starten van de motor



WAARSCHUWING: Het elektrisch systeem heeft een voelchakelaar in de bestuurdersstoelzitting die controleert of de bestuurder in de stoel zit. Dit systeem zal de motor laten afslaan indien de bestuurder zijn stoel verlaat. In het belang van uw eigen veiligheid moet u ervoor zorgen dat dit systeem goed functioneert.

OPMERKING: De motor zal niet starten tenzij u het koppelings/rempedaal intrapt en de mesbedieningshendel in DISENGAGE zet.

1. Trap het rempedaal geheel in en houd uw voet op het pedaal.
2. Zorg ervoor dat de mesbedieningshendel in de DISENGAGE stand staat.
3. Zet de gashendel geheel naar voren in de CHOKE of FAST stand. Sommige modellen hebben een aparte choke knop. Trek deze choke knop geheel uit.
4. Zet het contactsluteltje in de START stand.

OPMERKING: Als de motor niet aanslaat na vier of vijf keer proberen, moet u de gashendel in FAST zetten. Probeer opnieuw te starten. Zie de TROUBLESHOOTING tabel als de motor nog niet aanslaat.

5. Duw de gashendel langzaam naar de SLOW stand.
6. Zet de gashendel tussen FAST en SLOW in om een hete motor te starten.

Tips voor het maaien en het gebruik van de graszak

1. Controleer of de maaibe huizing vlak is voor een optimaal gazon. Zie "Instellen van de maaibe huizing" in het hoofdstuk Onderhoud.
2. De maaibe huizing kan alleen egaal maaien als de banden de juiste hoeveelheid lucht hebben. Controleer de bandenspanning.
3. Controleer het mes voor elke maaibeurt. Als het krom of beschadigd is moet het onmiddellijk vervangen worden. Zorg er eveneens voor dat de moer die het mes op zijn plaats houdt goed vast zit.
4. Zorg dat het mes scherp is. Botte messen hebben als gevolg dat de punten van het gras bruin worden.
5. Maai geen nat gras en gebruik evenmin de graszak. De maaier kan gemaaid nat gras niet goed uitwerpen. Laat het gras drogen alvorens te maaien.
6. Gebruik de linker kant van de maaier om een kantje bij een obstakel bij te werken.
7. Kies de maairichting zodanig dat het afgesneden gras over het gemaaide oppervlak wordt uitgeworpen. Hierdoor wordt het afgesneden gras beter verspreid.
8. Als u een groot gazon wilt gaan maaien, begin dan met een paar bochten naar rechts te maken. Hierdoor wordt het afgesneden gras naar binnen toe uitgeworpen en komt het niet buiten het gazon terecht. Na één of twee rondjes kunt u van richting wisselen en linkse bochten gaan maken voor de rest van het gazon.
9. Als het gras erg hoog staat, kunt u het beste twee keer maaien teneinde de belasting op de motor te verminderen. Maai eerst met de maaibe huizing in de hoogste stand en daarna nog eens in een lagere stand.
10. Zet tijdens het maaien de gashendel altijd in de FAST stand. Dit zorgt voor een betere motorprestatie en een gelijkmatigere grasuitwerp.
11. Als u een graszak gebruikt, moet u de gashendel in de FAST stand zetten en het snelheidspedaal voor een derde of de helft intrappen.
12. Maak na het maaien de boven- en de onderkant van de maaibe huizing schoon. Een schone maaibe huizing helpt ook in het voorkomen van brand.

ONDERHOUD

OPMERKING: Illustraties en pictogrammen beginnen op pagina 2.

Algemene aanbevelingen

1. Het is de verantwoordelijkheid van de eigenaar om dit produkt te onderhouden. Goed onderhoud zal de levensduur van dit produkt verlengen en is tevens noodzakelijk voor de garantie.

2. Eens per jaar moet de bougie en de rem gecontroleerd, de machine gesmeerd en het luchtfilter gereinigd worden.
3. Loop alle bevestigingsmaterialen na en zorg dat ze goed vast zitten.
4. Volg de aanwijzingen in het hoofdstuk Onderhoud op om de machine gebruiksklaar te houden.



WAARSCHUWING: Voordat u de maaier gaat inspecteren, afstellen of repareren, moet u de bougiekabel los trekken om te voorkomen dat de motor onverhoeds start.

OPMERKING: Torsie wordt gemeten met een momentsleutel en wordt aangegeven in newtonmeter. Deze eenheid geeft aan hoe strak een moer of bout aangedraaid moet worden.

Controleren van het mes (Figuur 7)



WAARSCHUWING: Voordat u het mes controleert of verwijdert, moet u de bougiekabel los trekken. Stop de motor als het mes een obstakel raakt. Kijk of de machine beschadigd is. Het mes heeft scherpe kanten. Draag handschoenen of gebruik een doek om uw handen te beschermen als u het mes vast wilt pakken.

Een scherp, onbeschadigd mes snijdt beter en is veiliger om mee te werken. Zorg dat het mes (1) scherp is en kijk het regelmatig na op overmatige slijtage, scheuren of andere beschadigingen. Controleer regelmatig of de moer (3) die het mes op zijn plaats houdt goed vast zit. Stop de motor als het mes een obstakel raakt. Trek de bougiekabel los en controleer of het mes verbogen of beschadigd is. Controleer de tussenring (5) op beschadigingen. Vervang beschadigde onderdelen met originele reserve onderdelen, voordat u de machine weer gebruikt. Neem indien nodig, contact op met een erkend service center in uw omgeving. Laat elke drie jaar het mes inspecteren bij een erkend service center of vervang het door een origineel nieuw exemplaar.

Vervangen van het mes (Figuur 7)

1. Verwijder de maaibehuizing. Zie de aanwijzingen onder "Verwijderen van de maaibehuizing".
2. Gebruik een stuk hout om te voorkomen dat het mes gaat draaien.
3. Verwijder de moer (3) die het mes (1) op zijn plaats houdt.
4. Controleer het mes (1) en de tussenring (5) volgens de aanwijzingen onder "inspecteren van het mes". Vervang een versleten of beschadigd mes met een origineel nieuw exemplaar. Neem contact op met een erkend service center in uw omgeving.
5. Maak zowel de bovenkant als de onderkant van de maaibehuizing schoon en verwijder al het gras en andere rommel.
6. Plaats het mes (1) en de tussenring (5) op de as (6).
7. Plaats het mes (1) zodanig dat de opheffranden (7) omhoog wijzen. Als het mes onderste boven zit zal het niet goed snijden en kan het een ongeluk veroorzaken.
8. Zet het mes (1) vast met de originele ringen en moer (3). Zorg dat de platte kant van de

getrapte ring (2) tegen het mes (1) aan komt te zitten.



WAARSCHUWING: Zorg er altijd voor dat de moer (3) die het mes (1) op zijn plaats houdt goed vast zit. Een losse moer of een los mes kunnen een ongeluk veroorzaken.

9. Draai de moer (3), die het mes (1) op zijn plaats houdt, vast met een moment van 41,5 Nm.
10. Plaats de maaibehuizing terug. Zie "Verwijderen van de maaibehuizing".

Instellen van de mesrotatie



WAARSCHUWING: Om ongevallen te voorkomen moet de mesrotatiebediening goed werken.

Bij normaal gebruik hoeft de mesrotatie niet aangepast te worden. Echter, als de maai-prestatie en kwaliteit achteruit gaan, moet u de volgende aanpassingen verrichten.

1. Zorg dat tijdens het maaien de gashendel in de FAST stand staat.
2. (Figuur 8) Zet de mesrotatiebediening in de DISENGAGE stand (1).
3. Zet de motor af en trek de bougiekabel los.
4. Controleer het (de) mes(sen). Zorg dat de mesranden geslepen zijn. Een bot mes zal tot gevolg hebben dat de punten van het gras bruin worden.
5. (Figuur 9) Maak de mesaandrijfveer (2) los van de mesbedieningsstang (1). Haak de mesaandrijfveer (2) in het middelste gat (4). Hierdoor wordt de spanning op de maaiaandrijfveer vergroot.
6. Duw de bougiekabel weer op de bougie. Maai een korte afstand en controleer opnieuw de kwaliteit van het gemaaid gras. Zet de mesaandrijfveer (2) in het onderste gat (5), indien nodig.
7. Controleer de kwaliteit van het gemaaid gras opnieuw. Als de kwaliteit nog niet verbeterd is, moet u de maaiaandrijfveer vervangen. Als dit ook niet helpt, moet u de maaier naar een erkend service center brengen.
8. Zet de mesrotatiebediening in de DISENGAGE stand (1) en zet de motor af.
9. (Figuur 10) Controleer de werking van de mesrem. Draai de schijven met de hand en vergewis u ervan dat de remblokken (1) tegen de schijven drukken.



WAARSCHUWING: Als de remblokken (1) niet stevig tegen de schijven drukken, moet u de maaier naar een erkend service center brengen.

10. (Figuur 8) Zet de mesrotatiebediening in de ENGAGE stand (2).
11. (Figuur 10) Controleer de remblokken (1) van de mesrem (7). Vervang de remblokken als ze sterk versleten of beschadigd zijn. De juiste onderdelen en assistentie zijn verkrijgbaar via een erkend service center.
12. Duw de bougiekabel weer op de bougie. Maai een korte afstand en controleer opnieuw de werking van de mesrotatie.
13. Als u de mesrotatiebediening in de DISENGAGE stand zet, moet het geheel binnen vijf seconden tot stilstand komen. Als u een nieuwe maaiaandrijfveer heeft en deze speling ver-

toont of het mes blijft doordraaien, moet u de mesrotatie vijf keer in- en uit-schakelen om overmatig rubber van de riem te verwijderen. Breng de maaier naar een erkend service center als u hulp nodig heeft.

14. (Figuur 9) Als u een nieuwe aandrijfriem plaatst, moet de mesaandrijfveer (2) in het bovenste gat (3) gehaakt worden.

Controleren en instellen van de aandrijfriem (Figuur 18 en Figuur 21)

Als de aandrijfriem los zit zal deze gaan slippen als u: een helling op rijdt, een zware last trekt of de maaier zal in zijn geheel niet rijden.

BELANGRIJK: Maai altijd met de motor in de FAST (hoogste) stand. Als de motorsnelheid laag of middelmatig is, kunnen de motor en de transmissie te heet worden en problemen veroorzaken van de zelfde aard als een losse aandrijfriem.



WAARSCHUWING: Voordat u de maaier gaat inspecteren, afstellen of repareren, moet u de bougiekabel van de bougie af trekken om te voorkomen dat de motor onverhoeds start.

1. (Figuur 21) Controleer dat de aandrijfriem (6) goed loopt. Vergewis u ervan dat de aandrijfriem (6) goed is geïnstalleerd en binnen alle riemgeleiders (7) loopt.
2. (Figuur 18) Maak de koppelingsscharnier (1) los van de rolarm (2).
3. (Figuur 21) Plaats het gat in de remstang (3) op een lijn met het gat in het frame. Hou de remstang (3) op zijn plaats met een 6 mm pen of bout (4).
4. (Figuur 18) Draai de koppelingsscharnier (1) zodat het montagegat (5) in de koppelingsscharnier (1) op een lijn komt met het montagegat (5) in de rolarm (2).
5. Maak de koppelingsscharnier (1) vast aan de rolarm (2).
6. (Figuur 21) Verwijder de 6 mm pen of bout (4).
7. Als de hoofdaandrijfriem nog steeds slijpt nadat deze is ingesteld, dan is de riem versleten of beschadigd en moet hij vervangen worden. Zie "Vervangen van de hoofdaandrijfriem".

Controleren en instellen van de voetrem (Figuur 12 en 20)

(Figuur 20) Trek de handrem aan. Zet de automatische aandrijftkoppeling (1) in de DUW stand (3). Duw de machine. Als de wielen gaan draaien, moeten de remblokkjes aangepast of vervangen worden.

Stel de voetrem (4) als volgt in:

1. (Figuur 12) De voetrem (4) bevindt zich rechts van de tandwielkast (5).
2. (Figuur 20) Vergewis u ervan dat de handrem geactiveerd is en de automatische aandrijftkoppeling (1) in de DUW stand (3) staat.
3. (Figuur 12) Draai de zeskantmoer (6) met de klok mee tot dat de achterwielen niet meer draaien als de machine naar voren wordt geduwd.
4. Zet de machine van de handrem af en duw hem naar voren. Als de wielen niet mee-

draaien, moet u de **zeskantmoer (6)** tegen de klok in draaien totdat de wielen gaan draaien.

- Trek de handrem aan en duw de machine weer naar voren. Als de achterwielen niet draaien is de **voetrem (4)** goed ingesteld. Zet de machine van de handrem af.



WAARSCHUWING: Vervang de remblokken als het niet lukt om de rem goed in te stellen. De juiste reserve onderdelen zijn te verkrijgen via een erkend service center.

Verwijderen van de accu (Figuur 4)

Om de **accu (1)** op te laden of te reinigen, moet u hem als volgt uit de machine halen.



WAARSCHUWING: Om vonken te voorkomen, moet u eerst de **zwarte accukabel (8)** van de **negatieve (-) pool** afhalen, voordat u de **rode kabel (5)** los maakt.



WAARSCHUWING: De accu bevat zwavelzuur dat gevaarlijk is voor huid, ogen en kleding. Als het zuur op de huid of kleding terecht komt, moet u het meteen met water spoelen.

- Verwijder de **zwarte accukabel (8)** van de **negatieve (-) pool**.
- Verwijder de **rode accukabel (5)** van de **positieve (+) pool (4)**.
- Til de **accuslede (3)** en **accu (1)** uit de machine.

Opladen van de accu (Figuur 4)



WAARSCHUWING: Zorg dat er geen vonken kunnen optreden in de buurt van een accu die wordt opgeladen en rook niet. De dampen van het accuzuur kunnen een explosie veroorzaken.

- Haal de **accu (1)** uit de machine om hem op te laden.
- Gebruik een 12 volt acculader. Laad de **accu (1)** op gedurende één uur met 6 Ampère.
- Plaats de **accu (1)** terug in de machine.



WAARSCHUWING: Om vonken te voorkomen, moet u eerst de **rode kabel (5)** vast maken aan de **positieve pool (+)**, voordat u de **zwarte accukabel** vast maakt.

- Maak de **rode kabel (5)** vast aan de **positieve (+) pool (4)** met de bevestigingsmaterialen, zoals aangegeven.
- Maak de **zwarte kabel (8)** vast aan de **negatieve (-) pool** met de bevestigingsmaterialen, zoals aangegeven.

Instellen van de meetwielen

De asbouten van de meetwielen staan in de LOW stand. De stand van de meetwielen kunt u regelen door de asbouten te verplaatsen.

F-050744L

BELANGRIJK: Voordat u de meetwielen instelt, moet u het volgende uitvoeren. Zorg dat de maaibeuizing horizontaal staat. Stel de maaihogte in naar wens. Maai een kort stuk over een vlak, horizontaal gedeelte en bekijk het resultaat. Als de maaibeuizing niet egaal maait, moet u de aanwijzingen volgen in "Horizontaal stellen van de maaibeuizing."



WAARSCHUWING: Voordat u de machine inspecteert, instelt of repareert, moet u de bougiekabel van de bougie af trekken. Verwijder de bougiekabel om te voorkomen dat de machine onverhoeds start.

- (Figuur 22, illustratie "1") Verwijder de **meetwielen (12)** en de **asbouten (11)**.
- (Figuur 13) Maai een kort stuk over een vlak, horizontaal gebied om de snede en de hoogte ervan te controleren. Kijk naar het **nummer (3)** op de **hoogte-instelhendel (1)** dat de maaihogte aangeeft.
- (Figuur 22, illustratie "1") Bekijk elke **meetwielbeugel (13)**. Er zitten drie gaten in elke beugel met naast het gat een nummer. Het nummer voor de maaihogte op de hoogte-instelhendel geeft aan welk gat gebruikt moet worden op elke **meetwielbeugel (13)**.
OPMERKING: Gat nummer 1 op de **wielbeugel** correspondeert met **hoogte-instelhendelstand nummer 1**.
Gat nummer 2 op de **wielbeugel** correspondeert met **hoogte-instelhendelstand nummer 2**. Gat nummer 3 op de **wielbeugel** correspondeert met **hoogte-instelhendelstand nummers 3,4,5 en 6**.
- Bevestig de **asbouten (11)** aan de **meetwielbeugels (13)**, waarbij u het juiste gat in de beugel gebruikt, zoals werd aangegeven.

OPMERKING: Als de maaihogte anders wordt ingesteld m.b.v. de **hoogte-instelhendel**, moet u eveneens de **meetwielen** in een ander gat plaatsen om egaal maaien te verzekeren.

Horizontaal stellen van de maaibeuizing (Figuur 13 en Figuur 14)

Als de maaibeuizing horizontaal staat, zal het mes beter snijden en het gazon er beter uitzien.



WAARSCHUWING: Voordat u de maaier gaat inspecteren, afstellen of repareren, moet u de bougiekabel van de bougie af trekken om te voorkomen dat de motor onverhoeds start.

- Zorg ervoor dat de machine op een hard, horizontaal oppervlak staat.
- Controleer de bandenspanning. Als de bandenspanning onjuist is zal de maaibeuizing niet egaal maaien. De juiste bandenspanning is: voor 0,97 BAR (14 PSI), achter 0,69 BAR (10 PSI).
- Verwijder de meetwielen (indien aanwezig).
- (Figuur 13) Zet de **hoogte-instelhendel (1)** in de **instelstand (2)**, teneinde de machine horizontaal te kunnen stellen.



WAARSCHUWING: De **hoogte-instelhendel (1)** is verbonden met een veer. Zorg ervoor dat de **hoogte-instelhendel (1)** vergrendeld is in de instelstand (2).

- (Figuur 14) Maak de linker en rechter **instelmoeren (1)** los. Duw op beide zijden van de maaibeuizing. Zorg ervoor dat beide kanten van de maaibeuizing zich op een horizontaal oppervlak bevinden. Vergewis u ervan dat de hefschakels los zitten en gemakkelijk op en neer kunnen bewegen..
- Druk op de **hefschakels (2)** en maak de linker en rechter **instelmoeren (1)** vast. Gebruik eventueel een sleutel om de **instelmoeren (1)** aan te draaien.
- (Figuur 13) Zet de **hoogte-instelhendel (1)** vanuit de **hoogte-instelstand (2)** in de gewenste maaistand..
- Breng de meetwielen weer aan (indien aanwezig).
- Maai een kort stuk. Voer de bovenstaande stappen opnieuw uit, als de hoogte of snede niet egaal is.

Smeren van de machine (Figuur 15)



Modellen met smeernippels: smeer met een vetpistool.

Breng vet aan met een borstel op de aangegeven plekken.



Smeer met motorolie op de aangegeven plekken.

OPMERKING: Smeer de koppelingen van de stuurstang.

LET OP! Als de machine wordt gebruikt in droge gebieden met zand, moet u een droge grafietspray gebruiken om de machine te smeren.

Controleren van de banden

Controleer de bandenspanning. De machine zal schokkerig rijden als de druk in de banden te hoog is. Als de bandenspanning onjuist is zal de maaibeuizing niet egaal maaien. De juiste bandenspanning is: voor 0,97 BAR (14 PSI), achter 0,69 BAR (10 PSI).

Vervangen van de hoofdaandrijfriem

- Verwijder de maaibeuizing. Zie de aanwijzingen onder "Verwijderen van de maaibeuizing".
- (Figuur 16) Verwijder de **middelste geleidingsschijf (4)**.
- Maak de veer van de **geleidingsschijf (7)** los.
- Verwijder **geleidingsschijf (8)** en **afstandhouder (9)**.
- Verwijder de **V-vormige geleidingsschijf (5)** en **afstandhouder (13)**.
- Verwijder de **aandrijfriem (1)** van de **aandrijfschijf (6)**.
- (Figuur 17) Om de **aandrijfriem (1)** van de **stapelschijf (2)** af te halen, moet u de voorkant van de riem onde de **stapelschijf (2)** trekken en dan terug tussen de **stapelschijf** en de **stuurplaat (3)**.

8. **(Figuur 11)** Haal het **toegangspaneel (10)** weg.
9. Verwijder de twee **schroeven (11)** die de **stuurstang unit (12)** vast houden. Til het stuurwiel en de **stuurstang unit (12)** op. Trek de **aandrijfriem (1)** onder de **stuurstang unit (12)** door.
10. Haal de **aandrijfriem (1)** nu weg. Een geschikt vervangingsexemplaar of eventuele hulp is verkrijgbaar via een erkend service center in uw gebied.
11. De riem kan geïnstalleerd worden door bovenstaande stappen in omgekeerde volgorde te doorlopen.
12. **(Figuur 16)** Controleer dat de **aandrijfriem (1)** goed loopt. Zorg dat hij correct is geïnstalleerd rond de geleidingsschijven.
13. Voordat u met de machine gaat rijden, moet u de instelling van de koppeling controleren. Volg de instructies op onder "Controleren en instellen van de koppeling."
14. Plaats de maaibeuizing weer terug. Volg de instructies op onder "Installeren van de maaibeuizing."

Vervangen van de maaiaandrijfriem (Figuur 10)

1. Verwijder de maaibeuizing. Zie de aanwijzingen onder "Verwijderen van de maaibeuizing".
2. Duw de **riemgeleider (1)** weg van de **geleidingsschijf (2)** en verwijder de **maaiaandrijfriem (3)**.
3. Trek de **riemgeleider (4)** weg van de rechter **aandrijfschijf (5)** en verwijder de **maaiaandrijfriem (3)**.
4. Trek de **riemgeleider (4)** weg van de linker **aandrijfschijf (6)** en verwijder de **maaiaandrijfriem (3)**. Een nieuw exemplaar en assistentie, indien nodig, is te verkrijgen van een erkend service center bij u in de buurt.
5. De nieuwe riem kan geïnstalleerd worden door de bovenstaande stappen in omgekeerde volgorde te doorlopen.

Verwijderen van de maaibeuizing (Figuur 22)

1. Zet de **mesrotatiehendel (1)** in de DISEN-GAGE stand.
2. Zet de **hoogte-instellingenhendel (2)** in de hoogte instelstand.



De hefhandel is voorgespannen met een veer. Let er op dat de hefhandel vast staat in de INSTELLEN HENDEL stand.

3. Verwijder de splitpennen en ringen van de **instelarmen (3)**. Zie afbeelding C en D.
4. Verwijder de splitpennen en ringen van de **ophangingverbindingen (4)**. Zie afbeelding A en B.
5. Maak de **veer (5)** los van de **mesbedieningsstang (6)**. Zie afbeelding E.
6. Maak de voorste **beugel (9)** los van de asondersteuning. Zie afbeelding F.
7. Verwijder de **maaiaandrijfriem (7)** van de **stapelschijf (8)**.
8. Trek de maaibeuizing opzij naar rechts.
9. De maaibeuizing kan weer geïnstalleerd worden door de bovenstaande stappen in omgekeerde volgorde te doorlopen.

Vervangen van de zekering

Als de zekering doorgebrand is zal de motor niet starten. Vervang de zekering met een nieuwe zekering van 15 Ampère die geschikt is voor automobielen.

Opslag voor langere tijd (30 dagen of langer)

Aan het einde van het maaiseizoen moet u de machine als volgt gereed maken voor stalling.

1. Tap de brandstof af uit de carburateur en de benzine tank. Ververs de olie. Volg de aanwijzingen van de fabrikant.
2. Maak de machine geheel schoon.
3. Laad de accu op.

Bestellen van reserve onderdelen

De reserve onderdelen staan achterin dit instructieboek of in een aparte onderdelenboek. Gebruik alleen reserve onderdelen die door de fabrikant erkend of goedgekeurd zijn. De letter achteraan het onderdeelnummer duidt op het soort afwerking voor het onderdeel: C staat voor chroom, Z voor zink, en PA voor aangekocht onderdeel. U hoeft deze letters niet op te nemen in de bestelling. Gebruik geen accessoires die niet speciaal voor deze machine worden aanbevolen. Om de juiste reserve onderdelen te bestellen, moet u het model van uw maaier, zoals dat op het naamplaatje voorkomt, vermelden.

Reserve onderdelen, behalve voor de motor, transmissie, verbindingssas en differentieel, zijn verkrijgbaar via uw leverancier of via een service center dat wordt aanbevolen door de leverancier.

Als u geen onderdelen of service kunt verkrijgen via de hierboven beschreven weg, kunt u contact opnemen met **HAYTER LIMITED**, Service Department, Spellbrook, Bishop's Stortford, Hertfordshire. CM23 4BU.

MURRAY, INC.

International Sales

P.O. Box 268

Brentwood, Tennessee USA 37024

1-800-251-8007

Fax (615) 373-6633 Telefoonkosten komen voor uw rekening.

Reserve onderdelen voor de motor, transmissie, of verbindingssas zijn verkrijgbaar via de erkende service centers van de desbetreffende leverancier. Deze zal vermeld staan in het telefoonboek. Kijk ook in de desbetreffende garantieverklaringen van deze onderdelen, hoe u eventueel reserve onderdelen kunt bestellen.

Bij de bestelling moet u de volgende gegevens vermelden:

- (1) Model aanduiding
- (2) Serienummer
- (3) Onderdeelnummer
- (4) Aantal

TROUBLESHOOTING SCHEMA

PROBLEEM: De motor slaat niet aan.

1. Volg de aanwijzingen onder "Starten van de motor" op.
2. Modellen met elektrische start: Maak de accuklemmen schoon en verbind ze daarna goed.
3. Kijk of er een draad los zit. Kijk of de limiet-schakelaars vast zitten. (Zie het bedradings-schema.)
4. Tap de benzinetank af, maak de benzineleiding schoon en vervang het benzinefilter.
5. Verwijder de bougie(s). Zet de choke in de SLOW stand. Draai het contactsleuteltje in de ON stand. Probeer de motor enige malen te starten. Plaats de bougie weer terug.
6. Vervang de bougie.
7. Stel de carburateur bij.

PROBLEEM: De motor wil niet draaien.

1. Volg de aanwijzingen onder "Starten van de motor" op.
2. Modellen met elektrische start: Laad de accu op.
3. Vervang de zekering.
4. Controleer de kabelboom op schade of een losse verbinding. Vervang de beschadigde draad.
5. Modellen met elektrische start: vervang de solenoïde. Modellen met trekstart: vervang de module.

PROBLEEM: De motor slaat moeilijk aan.

1. Stel de carburateur bij.
2. Vervang de bougie.
3. Vervang het benzinefilter.

PROBLEEM: De motor loopt onregelmatig of met gereduceerd vermogen.

1. Peil de olie.
2. Maak het luchtfilter schoon.
3. Maak het buitenste stalen luchtfilter schoon.
4. Vervang de bougie.
5. De motor wordt te zwaar belast. Schakel in een lagere versnelling.
6. Stel de carburateur bij.
7. Vervang het benzinefilter.

PROBLEEM: De motor loopt onregelmatig bij hoge snelheden.

1. Vervang de bougie.

2. Stel de choke beter af.
3. Vervang het luchtfilter.
4. Vervang het benzinefilter.

PROBLEEM: De motor slaat af als de messen worden ingeschakeld.

1. Controleer de kabelboom op schade of een losse verbinding. Vervang de beschadigde draad.
2. De graszak moet zijn gemonteerd (alleen van toepassing op het model met een graszak en achteruitworp).

PROBLEEM: De motor slaat af op een helling.

1. Maai altijd de helling op en af, nooit parallel aan de helling.

PROBLEEM: De motor wil niet stationair draaien.

1. Vervang de bougie.
2. Maak het luchtfilter schoon.
3. Stel de carburateur bij.
4. Stel de choke beter af.
5. Tap de benzinetank af, maak de benzineleiding schoon en vervang het benzinefilter.

PROBLEEM: Als de motor heet is neemt het vermogen af.

1. Maak het buitenste stalen luchtfilter schoon.
2. Peil de olie.
3. Stel de carburateur bij.
4. Vervang het benzinefilter.

PROBLEEM: De machine trilt erg.

1. Vervang het mes.
2. Controleer op losse motorbouten.
3. Verminder de bandenspanning.
4. Stel de carburateur bij.
5. Kijk na op een beschadigde aandrijfriem of schijf. Vervang de beschadigde onderdelen.

PROBLEEM: Het gemaaid gras wordt niet goed uitgeworpen.

1. Stop de motor en maak de maaibe huizing schoon.
2. Stel in op een hoger maainiveau.
3. Vervang of slijp het (de) mes(sen).
4. Schakel de versnelling in een lagere snelheid.

5. Zet de gashendel in de FAST stand.
6. Vervang de veer die het (de) mes(sen) uitschakelt.
7. Maak het verlengstuk en het verbindingstuk schoon (alleen van toepassing op het model met een graszak en achteruitworp).

PROBLEEM: De maaibe huizing maait niet egaal.

1. Controleer de bandenspanning.
2. Stel de hoogte van de maaibe huizing bij.
3. Controleer de vooras. Als deze niet vrij kan scharnieren, moeten de asbouten worden losgedraaid.

PROBLEEM: De messen willen niet draaien.

1. Controleer de maaiaandrijfriem. Zorg ervoor dat de riem goed zit.
2. Vervang de maaiaandrijfriem.

PROBLEEM: De machine gaat niet rijden terwijl de rem wordt losgelaten en het gaspedaal wordt ingetrapt.

1. Controleer de hoofdaandrijfriem. Zorg ervoor dat de riem goed zit.
2. Stel de koppeling bij.
3. Vervang de hoofdaandrijfriem.
4. Zet de automatische aandrijvingsontkoppeling vrij.

PROBLEEM: De machine gaat langzamer rijden of stopt geheel terwijl het gaspedaal wordt ingetrapt.

1. Stel de koppeling bij.
2. Vervang de hoofdaandrijfriem.

PROBLEEM: Als het rempedaal wordt losgelaten, is een aandrijfriem te horen.

1. Kortdurig geluid van de riem duidt niet op foutieve werking van de machine. Controleer of de riem goed loopt, indien het geluid blijft aanhouden. Zorg dat de riem binnen alle geleidingen loopt.
2. Indien het geluid blijft aanhouden, moet u de koppeling afstellen.

PROBLEEM: De achterwielen slaan op hol op oneffen terrein.

1. Controleer de vooras. Als deze niet vrij kan scharnieren, moeten de asbouten worden losgedraaid.

INDHOLD

INTERNATIONALE ILLUSTRATIONER	53
INFORMATION TIL EJEREN	54
SIKKER BRUG	54
SAMLING AF PLÆNETRAKTOREN	55
BRUG AF PLÆNETRAKTOREN	56
VEDLIGEHOLDELSE	57
PROBLEMLØSNINGSOVERSIGT	61

MURRAY, INC.

TO ÅRS BEGRÆNSET GARANTI

Murray, Inc. Garanterer til den oprindelige ejer at denne plænetraktor vil være fri for defekter i materialer og forarbejdning under normal brug og service i en periode af **to (2) år** fra købsdatoen; Imidlertid dækker denne garanti ikke motoren, tilbehør (så som sneslyng, sneklinger, opsamlingsposer og plove), gear, batterier og dele udsat for normalt slid (med undtagelse som beskrevet nedenfor) eller transaksler (kombination af gearkasse og differentiale), idet fabrikkerne for disse dele udsteder deres egne garantier og stiller service til rådighed gennem deres autoriserede værksteder. For yderligere information, se garantierne som dækker disse dele. Hvis De er usikker på om Deres plænetraktor har, eller er udstyret med, en eller flere af disse dele, ret henvendelse til deres forhandler eller indkøber. I henhold til betingelserne og forholdene i denne begrænsede garanti, skal vi, efter vor skøn, reparere eller udskifte alle dele dækket af denne begrænsede garanti under garantiperioden uden udgift til den

oprindelige ejer. I tilfælde af at batteriet viser sig at være defekt indenfor halvfems (90) dage fra købsdatoen, vil vi udskifte batteriet uden omkostning til ejeren. Hvis batteriet viser sig at være defekt efter halvfems (90) dage men indenfor ethundredeogtyve (120) dage fra købsdatoen, vil vi udskifte det for halvdelen (1/2) af gældende udsalgspris på tidspunktet for returneringen af batteriet.

Dele der er udsat for normalt slid er defineret som remme, klinger, klinge koblinger, dæk, lygter og sædebetæk. Disse dele er garanteret fri for defekter i materialer og forarbejdning ved levering af produktet. Enhver reklamation for en reparation eller udskiftning af dele udsat for normalt slid må foretages indenfor tredive (30) dage fra købsdatoen. Ingen reklamationer som involverer skade forårsaget af overdreven brug, misbrug eller forkert brug vil blive honoreret.

Denne **to(2) års begrænsede garanti udstedt af Murray, Inc.** er Deres eneste retsmiddel. Imidlertid er denne garanti ikke gældende, og dækker ikke, for plænetraktorer der er blevet ændret ved, misbrugt eller brugt til udlejning eller anden kommerciel og/eller professionel (ikke-privat) brug. Deres garanti dækker ikke mindre mekaniske justeringer som ikke skyldes en defekt i materialer eller forarbejdning. For assistance med at foretage sådanne justeringer, henvises der til instruktionsbogen.

Hvis De ønsker at reklamere under denne **to (2) års begrænsede garanti udstedt af Murray, Inc.**, returner plænetraktoren (eller hvis autoriseret på forhånd, den defekte del) sammen med

købskvittering til et autoriseret værksted i Deres område. For at finde nærmeste autoriserede værksted, kontakt distributoren eller forhandleren i deres område opført i listen som kom med plænetraktoren, eller slå op i Deres lokale telefonbog. Hvis De returnerer hele plænetraktoren, vil den blive repareret. Hvis vi kun godkender returnering af den defekte del, vil vi enten udskifte eller reparere denne del. I tilfælde af defekt i gearet eller differential (til forskel fra transakslen), må hele gearet eller differential returneres, idet de indeholder dele der ikke kan repareres af brugeren. Denne **to (2) års begrænsede garanti fra Murray, Inc.** giver Dem specifikke legale rettigheder. De har muligvis også andre rettigheder som er lokalt bestemte. **Denne begrænsede garanti erstatter all andre udtrykkelige eller indforståede garantier, inklusive garantier for gensalg og garantier for egnethed for brug til et bestemt formål.** Hvis De har behov for yderligere information om denne skriftlige garanti, eller assistance med at modtage service, skriv til: **HAYTER LIMITED**, Service Department, Spellbrook, Bishop's Stortford, Hertfordshire. CM23 4BU.

MURRAY, INC.

International Sales
P.O. Box 268
Brentwood, Tennessee USA 37024
1-800-251-8007
Fax (615) 373-6633

INTERNATIONALE ILLUSTRATIONER

VIGTIGT: De følgende illustrationer er placeret på Deres plænetraktor eller i litteraturen som fulgte med. Før De bruger plænetraktoren, læs og forstå formålet med hver illustration.

BEMÆRK: Illustrationer begynder på side 2.

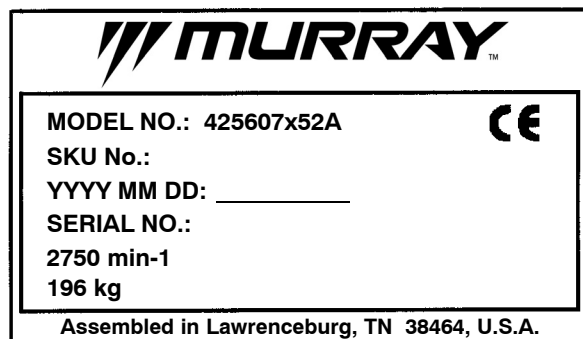
Advarsel- og sikkerhedsillustrationer (Figur 23)

- 1 Advarsel
- 2 VIGTIGT: Læs ejerens håndbog før brug af denne maskine.
- 3 ADVARSEL: Udslyngede genstande. Hold omkringstående væk. Læs brugerinstruktionerne før brug af denne maskine.

- 4 ADVARSEL: Brug ikke denne maskine på skråninger der hælder mere end 10 grader.
- 5 FARE: Hold personer, især børn, væk fra plænetraktoren.
- 6 FARE: Træd ikke her.
- 7 FARE: Hold fødder og hænder væk fra de roterende klinger.
- 8 Bekendtgjorde luftbårne lyd niveauer på 100 dB(A) i henhold til direktiv 2000/14/EF.
- 9 FARE: Afkobl tændrørsledningen før De arbejder på plænetraktoren.
- 10 ADVARSEL: Meget varm overflade.
- 11 ADVARSEL: Vær agtpågivende når de tilkobler eller frakobler tilbehør.
- 12 ADVARSEL: Knuste Fingre
- 13 VIGTIGT: Følg vejledningen i ejermanualen for at nivellere huset.
- 14 ADVARSEL: Undgå plane klipperens klinge imedens motoren kører.

Instrument- og brugerillustrationer (Figur 24)

- 1 Start motor
- 2 Lygter
- 3 Motoren kører
- 4 Stoppet motor
- 5 Motoren kører
- 6 Bremse
- 7 Parkeringsbremse
- 8 Kobling
- 9 Langsomt
- 10 Hurtigt
- 11 Choker
- 12 Olie
- 13 Klinge kontrol
- 14 Løft
- 15 Benzin



Bekendtgjorde vibrationsniveauer i henhold til direktiv 98/37/EF.

Vibrationsniveau i henhold til BS EN 1032:

Sædet < 0.5 m/s², Højre trinbræt 1.05 m/s², Venstre trinbræt 1.69 m/s²

Vibrationsniveau i henhold til BS EN 1033: Rattet 0.95 m/s²

Værdierne målt med brugeren i brugerposition mens maskinen er i brug stående på betonoverflade ved 2750 min-1.

Bekendtgjorde luftbårne lyd niveauer på 100 dB(A) i henhold til direktiv 2000/14/EF.

Lydtryksniveau i brugerposition 83 dB.

Værdier målt ved ørerne i henhold til specifikationerne i EN 836/A2:2001.

INFORMATION TIL EJEREN

Kend Deres produkt: Hvis De forstår plænetraktorens indretning og brug vil De få det bedste resultat. Mens De læser denne håndbog, sammenlign illustrationerne med plænetraktoren. Lær placeringen og funktionen af instrumenterne. For at forhindre en ulykke, følg brugerinstruktioner og sikkerhedsforholdsregler. Behold denne håndbog for senere brug.



ADVARSEL: Dette symbol viser vigtige sikkerhedsforholdsregler. Symbolet betyder: "Pas på! Vær på vagt! Sikkerhedsrisiko."

Ejerens ansvar



ADVARSEL: Denne slåmaskine er i stand til at amputere hænder og fødder og slynge genstande. Undladelse af at følge nedenstående sikkerhedsinstruktioner kan forårsage alvorlig skade eller død af brugeren eller omkringstående personer og dyr.

Det er ejerens ansvar at følge følgende instruktioner:

SIKKER BRUG

For at køre plænetraktorer med roterende klinger

Træning

- Læs instruktionerne omhyggeligt. Vær bekendt med instrumenterne og korrekt brug af udstyr.
- Lad aldrig børn eller andre som ikke er bekendt med disse instruktioner bruge plænetraktoren. Der kan være lokale regler for brugerens alder.
- Slå aldrig græs når andre personer, især børn, eller kæledyr er i nærheden.
- Husk at brugeren er ansvarlig for situationer og ulykker som opstår til fare for andre personer og deres ejendom.
- Kør ikke med passagerer.
- Alle brugere bør modtage professionelle og praktiske instruktioner. Sådanne instruktioner bør understrege:
 - Behov for forsigtighed og koncentration når der arbejdes med kørende maskiner;
 - Kontrol af en kørende maskine på en skråning vil ikke blive genvundet ved at træde på bremsen. Hovedårsager til at kontrol mistes er:
 - Utilstrækkeligt ratgreb;
 - Kører for hurtigt;
 - Bremser utilstrækkeligt;
 - Denne type maskine er ikke beregnet til opgaven;
 - Mangel af kendskab til tilstanden af bundforholdene, især på skråninger;
 - Ukorrekt tilkobling og fordeling af læs.

Forberedelse

- Mens De klipper, bær altid kraftigt fodtøj og lange bukser. Brug ikke maskinen og red-

skaber når De har bare fødder eller går med åbne sandaler.

- Kontroller grundigt området hvor plænetraktoren skal bruges og fjern alle genstande som maskinen kan slynge omkring.
- ADVARSEL - Benzin er uhyre brandbart.**
 - Opbevar benzin i en beholder beregnet til dette formål.
 - Fyld kun benzin på udendørs og ryg ikke mens benzinen påfyldes.
 - Fyld benzin på før De starter motoren. Tag aldrig dækslet af benzintanken eller fyld benzin på mens motoren kører eller er ophedet.
 - Hvis De spiller benzin, start ikke motoren. Sæt istedet plæneklipperen væk fra området med spildet og undgå at skabe gnister indtil benzinen er fordampet.
 - Sæt alle benzintanks- og beholderdæksler sikkert på.
- Udskift beskadiget lydpotte.
- Før brug, kontroller altid visuelt at klingerne, klingskruerne og klippeenheden ikke er slidte eller beskadigede. Udskift slide eller beskadigede klinger og skruer i sæt for at bevare balancen i systemet.
- På plænetraktorer med flere klinger, vær opmærksom på at een roterende klinge kan få andre klinger til at rotere.

Brug

- Brug ikke motoren i et aflukket område hvor farlige kuloxyddampe ikke kan undslippe.
- Slå kun i dagslys eller god belysning.
- Før motoren startes frakobl alle forbindelser til klippeenheden og sæt gearskiftet i neutral.
- Brug ikke plænetraktoren på skråninger der hælder mere end 10 grader.
- Husk at der er ingen "sikre skråninger". Kørsel på græsskråninger kræver ekstra agtpågivenhed. For at undgå at plænetraktoren vælter:
 - Undgå pludselige stop og start op eller ned ad bakke;
 - Giv langsomt slip på koblingen, hold altid plænetraktoren i gear, især ned ad bakke;
 - Plænetraktorens hastighed bør holdes lav på skråninger og ved skarpe hjørner;
 - Vær på vagt for buler, fordybninger og andre skjulte farer;
 - Klip aldrig på tværs af en skråning, medmindre plænetraktoren er specielt beregnet til dette formål.
- Vær forsigtig når De trækker læs eller bruger tungt udstyr.
 - Brug kun godkendt tilkoblingsudstyr.
 - Begræns læs til sådanne som De kan kontrollere med sikkerhed.
 - Drej ikke for skarpt. Vær forsigtig ved brug af baggear.
 - Brug modvægte eller hjulvægte når det er anbefalet i instruktionsbogen.
- Vær opmærksom på anden trafik når de er nær ved eller krydser en vej.
- Stop klingernes rotation før De krydser overflader andre end græs.
- Når De bruger tilbehør, ret aldrig det ud-slyngede materiale mod omkringstående

personer og tillad ikke andre nær maskinen mens den er i brug.

- Brug aldrig plænetraktoren med beskadigede beskyttelsesskærme eller når beskyttelsesudstyr ikke er på plads.
- Ændre ikke på motorens hastighedsregulator eller forårsag overdreven hastighed af motoren. Brug af motoren ved overdreven hastighed øger risikoen for personskade.
- Før brugerpositionen forlades
 - Udkobl drivkraften og sænk tilbehøret;
 - Skift til neutral og træk parkeringsbremsen;
 - Stop motoren og fjern nøglen.
- Udkobl tilbehør, stop motoren, og frakobl tændrørsledningen eller fjern tændningsnøglen
 - Før rengøring af blokeret eller forstoptet rør;
 - Før kontrollering, rengøring eller arbejde på plænetraktoren;
 - Efter at have ramt en genstand, kontroller plænetraktoren for beskadigelse og reparer før plænetraktoren startes og bruges igen;
 - Hvis maskinen begynder at vibrere unormalt (kontroller omgående).
- Afkobl drev til tilbehør når plænetraktoren transporteres eller ikke er i brug.
- Stop motoren og afkobl drev til tilbehør
 - Før De fylder benzin på;
 - Før opsamlingsposen fjernes;
 - Før De justerer højden med mindre justeringen kan foretages fra brugerens position.
- Sænk gashåndtaget mens motorhastigheden falder og, hvis motoren er udstyret med benzinhane, drej benzintilførselen fra når de er færdig med at slå.
- Før og under bakning, se **bagud og nedad** for at opdage om der er små børn i nærheden.
- Vær ekstra agtpågiven når de nærmer Dem hjørner med dårligt overblik, beplantning, træer eller andre genstande som hæmmer udsynet.

Vedligeholdelse og opbevaring

- På maskiner med flere klinger, vær opmærksom på at een roterende klinge kan forårsage andre klinger til at rotere.
- Når plænetraktoren er parkeret, opbevaret eller efterladt uden opsyn sænk klippeenheden medmindre De bruger en mekanisk lås.
- Hold alle møtrikker og skruer spændt for at sikre at udstyret er i forsvarlig brugbar stand.
- Opbevar aldrig udstyr med benzin i tanken i en bygning hvor dampene kan komme i kontakt med en åben flamme eller gnist.
- Lad motoren afkøle før opbevaring i et indelukke.
- Før at nedsætte brandfare, hold motoren, lydpotten, batteriet og området hvor benzin opbevares frit for græs, blade og megen fedt.
- Kontroller opsamlingsposen med jævne mellemrum for slid og forfald.
- Af sikkerhedshensyn, udskift slide eller beskadigede dele.
- Hvis benzintanken skal drænes bør dette foregå i åben luft.

SAMLING AF PLÆNETRAKTOREN

Alle skruer og møtrikker er i posen. Smid ikke nogle dele eller materialer væk før plænetraktoren er samlet.



ADVARSEL: Fjern ledningen fra tændrøret før samling eller vedligeholdelse af plænetraktoren påbegyndes.

BEMÆRK: I denne instruktionsbog beskriver venstre og højre placeringen af en del som set for en person siddende i sædet.

BEMÆRK: Illustrationer begynder på side 2.

BEMÆRK: Brug skruerne og møtrikkerne vist i fuld størrelse i figur 25, til at samle følgende løse dele.

Montering af forhjulene (Figur 1)

Brug en kniv til at skære de fire sider af kartonen. Monter forhjulene (1) i kartonen.

BEMÆRK: Brug et stykke træ ca. 1,25 meter langt til at løfte forenden af plænetraktoren. Hvis et stykke træ ikke er til rådighed, få da hjælp til løfte plænetraktoren. Vær forsigtig at plænetraktoren ikke vælter.

1. Løft forenden af plænetraktoren. Sæt en støtte (af træ) under plænetraktoren.
2. Vær sikker på at ventilen (2) sidder på ydersiden af plænetraktoren. Skub forhjulene (1) på akslen (3).
3. Fastgør hvert forhjul (1) med skive (4) og split (5). Bøj enderne af splitten (5) til siden for at holde forhjulene (1) på akslen (3).
4. Efter at forhjulene (1) er monterede, løft plænetraktoren fra støtten. Skub plænetraktoren af indpakningen.
5. Hvis plænetraktoren har hjulkapsler (6), monteres disse (6). Vær sikker på at skiverne (4) holder hjulkapslerne (6) på plads.

Samling af klippeenheden (Figur 2)

1. Sæt klingekontrollen (1) til DISENGAGE position.
2. Sæt løftehåndtaget (2) til positionen for justering klippeenhedens niveau.



ADVARSEL: Løftehåndtaget er fjederbelastet. Vær sikker på, at løftehåndtaget er låst i LEVEL ADJUSTMENT positionen.

3. Fastgør det forreste beslag (9) til rammen med skruerne og møtrikkerne. Se illustration "H".
4. Skub klippeenheden ind under den højre side af plænetraktoren.
5. Sæt klippeenhedens drivrem (7) rundt om remskiven (8). Se illustration "G".

VIGTIGT: Vær sikker på, at den "V" formede side af drivremmen vender mod drivremskiven. Vær også sikker på, at drivremmen ikke er snoet.

6. Fastgør ophængningsleddene (4) til løfteenheden. Fastgør med splitterne og skiverne. Se illustrationer "A" og "B".
7. Fastgør både den højre og venstre justérrarm (3) til ophængningsbeslagene. Fastgør med splitterne og skiverne. Se illustrationer "C" og "D".

F-050744L

8. Fastgør udtræksfjederen (5) til klingekontrolstangen (6). Se illustration "E".
9. Sæt klingerotationskontrollen til ENGAGE positionen. Vær sikker på at klippeenhedens drivrem er indeni alle remsporene.
10. Vær sikker på, at klippeenheden er i niveau. Se instruktionerne "Niveausætning af klippeenheden".
11. Fastgør niveauhjulene (12) til akselboltene (11) med skruerne og møtrikkerne. Se illustration "I".
12. Kontrollér at klingekontrollen fungerer korrekt. Se instruktionerne "Justering af klingekontrollen".
13. (Figur NO TAG) Fastgør det forreste beslag (9) til akselstøtten. Se illustration "F".
14. Vær sikker på, at drivremmen (7) er mellem remskiven (8) og de to remspor (10). Se illustration "G".

Montering af sædet (Figur 2)

1. Fjern forsigtigt plasticposen fra sædet (1).
2. Sæt hullerne i sædehængslet (2) ud for hullerne i sædet (1). Fastgør sædet (1) til sædehængslet (2) med skruer og møtrikker (4) og (5).
3. Kontrollér positionen af sædet (1). Hvis sædet (1) behøver justering, løs da de to fløj-møtrikker (5). Skub sædet (1) fremad eller bagud langs med justeringshullerne for sædet (3). Spænd fløj-møtrikkerne (5).

Samling af rattet (Figur 3)

1. Vær sikker på at forhjulene peger lige fremad.
2. Skub dækslet (3) over ratstammen (2). Vær sikker på at kraven af dækslet (3) er øverst.
3. Skub rattet (1) på ratstammen (2).
4. Monter rattet (1) på ratstammen (2) med skrue (4) og spændskive (6).
5. Nogle modeller har et indsats (7) i posen. Fastgør indsats (7) til centret af rattet (1).

Vedligeholdelsesfri batteri (Figur 4)

VIGTIGT: Kontroller batteridatoen før De fastgør batterikablerne til batteriet. Batteridatoen viser om batteriet skal oplades.

1. Undersøg batteriets (1) top og side for at se batteridatoens placering.
2. Hvis batteriet (1) bliver taget i brug før dato, kan batterikablerne tilsluttes uden at oplade batteriet (1). Se "Montering af batterikablerne".
3. Hvis batteriet (1) bliver taget i brug efter dato, skal batteriet (1) oplades. Se "Opladning af det vedligeholdelsesfri batteri".

Opladning af batteriet (Figur 4)



ADVARSEL: Ryg ikke når De oplader batteriet. Hold batteriet væk fra gnister. Dampene fra batterisyre kan forårsage en eksplosion.

1. Fjern batteriet (1) og batteribakken (3).
2. Fjern beskyttelseshætten fra batteriterminalen.
3. Brug en 12 volt batterioplader til at oplade batteriet (1). Oplad batteriet med 6 Ampere i een time. Hvis De ikke har en batterioplader, lad da et autoriseret værksted oplade batteriet.

4. Monter batteriet (1) og batteribakken (3). Vær sikker på at den positive (+) terminal (4) er på venstre side.

Montering af batterikablerne (Figur 4)



ADVARSEL: For at forhindre gnister, fastgør det røde kabel til den positive (+) terminal før De forbinder det sorte kabel.

1. Fjern beskyttelseshætten fra batteriterminalen.
2. Lad terminaldækslet (2) glide over det røde kabel (5). Fastgør det røde kabel (5) til den positive (+) terminal (4) med skruer og møtrikker (6) og (7).
3. Fastgør det sorte kabel (8) til den negative (-) terminal med skruer og møtrikker (6) og (7).

Kontroller dækkene

Kontroller lufttrykket i dækkene. Dæk med for højt lufttryk vil få plænetraktoren til at køre uroligt. Desuden vil forkeret lufttryk få plænetraktorens klippeenhed til ikke at klippe i niveau. Det korrekte dæktryk er: Forhjul 0,97 BAR (14 PSI), baghjul 0,69 BAR (10 PSI). Dækkene var overpumpet for forsendelse.

Kontroller niveauet af plænetraktorens klippeenhed

Vær sikker på at niveauet af skæret stadigvæk er korrekt. Efter De har slået et kort stykke, kontroller klipningen. Hvis plænetraktorens klippeenhed ikke klipper i niveau, se da instruktionerne "Justering af niveauet for klippeenheden" i vedligeholdelsessektionen af denne instruktionsbog.

Klargøring af motoren

BEMÆRK: Motoren blev sendt fra fabrikken fyldt med olie. Kontroller olieniveauet. Om nødvendigt fyld mere olie på.

Se motorfabrikantens instruktioner for hvilken type af benzin og olie der skal bruges. Før De bruger motoren, læs informationen om sikkerhed, brug, vedligeholdelse og opbevaring.



ADVARSEL: Følg motorfabrikantens instruktioner om hvilken type benzin og olie der skal bruges. Brug altid en forsvarlig benzinbeholder. Ryg ikke når De hælder benzin på motoren. Fyld ikke benzin på når De er i et indelukke. Stop motoren før De hælder benzin på. Lad motoren køle først i adskillige minutter.

BEMÆRK: Faktiske vedvarende hestekrafter vil sandsynlig være lavere på grund af funktionsbegrænsninger og omgivelsesfaktorer.

Vigtigt! Før De starter

- Kontroller motorolien.
- Fyld benzintanken med benzin.
- Kontroller lufttrykket i dækkene.
- Kontroller niveauet af plænetraktorens klippeenhed.
- Fastgør batterikablerne.

BRUG AF PLÆNETRAKTOREN

BEMÆRK: Illustrationer begynder på side 2.

Placeringen af instrumenter (Figur 5)

Klingerrotationskontrollen (1): Brug klingerrotationskontrollen til at starte og stoppe den roterende klinge.

Bremse pedal (2): Brug bremsepedalen til hurtigt at stoppe.

Forlyskontakten (3): Forlyskontakten er første position af tændingskontakten. For at bruge lygterne mens motoren kører, drej nøglen til forlyskontakten.

Tændningskontakten (3): Brug tændningskontakten til at starte og stoppe motoren.

Hastighedspedalen (4): Brug hastighedspedalen til at ændre hastighed og retning på plænetraktoren.

Løftehåndtaget (5): Brug løftehåndtaget til at ændre højden på klipningen.

Parkeringsbremsen (6): Brug parkeringsbremsen til at sætte bremsen når De forlader plænetraktoren.

Gashåndtaget (7): Brug gashåndtaget til at øge eller sænke hastigheden på motoren.

Automatisk frakobling af køredrevet (8): Brug den automatiske frakobling af køredrevet, placeret under sædet, til at frakoble transmissionen.

Tilbehør

Plænetraktoren kan bruge adskilligt tilbehør. Plænetraktoren kan trække tilbehør såsom en opsamlingsenhed, en plæneæerator, eller en frø/kunstgødningsspreder. Denne plænetraktor kan ikke trække tilbehør som forarbejder selve jorden, såsom en plov, en skiveharve eller kultivator.

For tilbehør der skal trækkes er maksimumvægten 113 kg.

Brug af gashåndtaget (Figur 5)

Brug **gashåndtaget (7)** til at øge eller sænke hastigheden af motoren.

1. FAST positionen er markeret med en lille forsænkning. Til normal brug og når De bruger en opsamlingspose, sæt gashåndtaget til FAST positionen. For maksimal opladning af batteriet og til at køle motoren mens den kører, brug motoren i FAST position.
2. Motorens hastighedsregulator er sat af fabriken for maksimal ydeevne. Juster ikke motorens hastighedsregulator for at øge hastigheden af motoren.

Brug af kontrollen for den roterende klinge (Figur 5)

Brug **kontrollen for den roterende klinge (1)** til at starte og stoppe klingerne.

1. Før De starter motoren, vær sikker på at **klinge-kontrollen (1)** er i DISENGAGE position.
2. Sæt **klinge-kontrollen (1)** til ENGAGE positionen for at starte klingernes rotation.

F-050744L

BEMÆRK: Hvis motoren stopper når De starter klingerne, skyldes det at sædekontakten ikke er aktiveret. Vær sikker på, at De sidder i midten af sædet.

3. Sæt **klinge-kontrollen (1)** til DISENGAGE positionen for at stoppe klingerne. Vær sikker på at klingerne ikke længere roterer før De forlader brugerens position.
4. Før De kører plænetraktoren over et fortov eller vej, sæt **klinge-kontrollen (1)** til DISENGAGE positionen.



ADVARSEL: Hold altid hænder og fødder væk fra klingerne, udslyngningsåbningen og plænetraktorens klippeenhed når motoren kører.

Brug af hastighedspedalen (Figur 5)

Køredrevssystemet bruger en automatisk hydrostatisk transmission. Den hydrostatiske transmission er meget nem at bruge. Denne type trækssystem kræver ikke et gearskiftehåndtag eller en koblingspedal.

Hastigheden og køreretningen kontrolleres med en enkelt **hastigheds pedal (4)** som kontrolleres med Deres højre fod. Brug ikke den venstre bremsepedal ved normal brug. Brug kun den venstre bremsepedal til at stoppe hurtigt i et nødstilfælde.

Kørsel fremad

1. (Figur 20) Den **automatiske frakobling af køredrevet (1)** skal være i **DRIVE positionen (2)**.
2. Giv langsomt slip på bremsepedalen med Deres venstre fod.
3. Sæt gashåndtaget i FAST position.
4. (Figur 19) Skub langsomt **hastighedspedalen (1)** fremad (4) til den ønskede hastighed.
5. For at øge den fremadgående hastighed, bevæg langsomt **hastighedspedalen (1)** fremad. For at nedsætte den fremadgående hastighed, løft langsomt **hastighedspedalen (1)** indtil plænetraktorens hastighed falder til den ønskede hastighed.

Baglæns kørsel

1. Se bagud.
2. Skub langsomt **hastighedspedalen (1)** til **REVERSE position (2)**.

Retningsændring

FORSIGTIG: Brug ikke bremsepedalen til at ændre retning. Brug kun hastighedspedalen.

1. Flyt langsomt Deres fod fra **hastighedspedalen (1)**. **Hastighedspedalen (1)** vil automatisk gå tilbage til **NEUTRAL position (3)**.
2. Når plæneklipperen er stoppet, bevæg langsomt **hastighedspedalen (1)** til den ønskede retning.

Frakobling af transmissionen (Figur 20)

For at skubbe plæneklipperen, brug den **automatiske frakobling (1)** til køredrevet til at frakoble transmissionen. Den **automatiske frakobling (1)** til køredrevet er placeret under sædet.

1. Motoren skal være slået fra.
2. Løft sædet. Den **automatiske frakobling (1)** til køredrevet er placeret under sædet.

3. Sæt og fastgør den **automatiske frakobling (1)** i **PUSH positionen (3)**. Transmissionen er nu **frakoblet** og plæneklipperen kan skubbes.

BEMÆRK: I koldt vejr kan den høje viskositet i transmissionsolien gøre det vanskeligt at skubbe plæneklipperen.

4. For at tilkoble transmissionen, frigør den **automatiske frakobling (1)**. Transmissionen er nu **tilkoblet** og klar til brug.

Brug af parkeringsbremsen (Figur 5)

1. Træd **bremse pedalen (2)** helt fremad.
2. Løft **parkeringsbremsehåndtaget(6)**.
3. Flyt foden fra **bremse pedalen (2)** og giv slip på **parkeringsbremsehåndtaget(6)**. Vær sikker på at parkeringsbremsen vil holde plænetraktoren.
4. For at løsne **parkeringsbremsen (6)**, Træd **bremse pedalen (2)** helt fremad. Parkeringsbremsen vil automatisk blive løst.



ADVARSEL: Før De forlader sædet, træk **parkeringsbremsen**. Sæt **klinge-kontrollen** til **DISENGAGE position**. Stop motoren og fjern **tændingsnøglen**.

Ændring af klippehøjden (Figur 5)

For at ændre klippehøjden, løft eller sænk **løftehåndtaget (5)** som følger.

1. Bevæg **løftehåndtaget (5)** fremad for at sænke plænetraktorens klippeenhed og bagud for at løfte klippeenheden.
2. Når De kører på fortov eller vej, sæt **løftehåndtaget (5)** til den højeste position og sæt **klinge-kontrollen** til **DISENGAGE position**.

Stop af plænetraktoren (Figur 5)

1. Flyt langsomt Deres fod fra **hastighedspedalen (4)**. Hastighedspedalen (1) vil automatisk gå tilbage til **NEUTRAL position**, og plæneklipperen vil stoppe.
2. Sæt **klinge-kontrollen (1)** til **DISENGAGE position**.
3. Træk **parkeringsbremsen (6)**.



ADVARSEL: Vær sikker på at **parkeringsbremsen** vil holde **plænetraktoren**.

4. Sæt **gashåndtaget (7)** til SLOW position.
5. For at stoppe motoren, drej **tændingsnøglen (3)** til OFF position. Fjern nøglen.

Transport af plænetraktoren

For at transportere plænetraktoren, gør som følger.

1. Sæt **klinge-kontrollen** til **DISENGAGE position**.
2. Sæt **løftehåndtaget** til den højeste position.
3. Sæt **gashåndtaget** til en position mellem SLOW og FAST.
4. Skub langsomt **hastighedspedalen** fremad til den ønskede hastighed.

Brug af plænetraktoren med klippeenheden

VIGTIGT: Når De bruger plænetraktoren med klippeenheden, sæt altid gashåndtaget i FAST position.

1. Start motoren.
2. Sæt løftehåndtaget til den ønskede klippehøjde. I højt eller tykt græs, klip først græsset i højeste position og sæt da klippeenheden til en lavere position.
3. Sæt gashåndtaget til SLOW position.
4. Sæt langsomt klingekontrollen til ENGAGE position.
5. Sæt gashåndtaget til FAST position.
6. Skub langsomt hastighedspedalen til den ønskede hastighed.

BEMÆRK: Når De klipper i tungt græs, eller klipper med en opsamlingspose, brug da en langsom fremadgående hastighed.

7. Vær sikker på at klippeenheden stadigvæk klipper i niveau. Efter at have slået et lille stykke kontroller det slåede område. Hvis plænetraktorens klippeenhed ikke klipper i niveau, se instruktionsbogens afsnit "Justering af plænetraktorens klippeenhed" i vedligeholdelsesektionen.



ADVARSEL: For bedre at kontrollere plænetraktoren, vælg en sikker hastighed.

Brug af plænetraktoren på bakker



ADVARSEL: Kør ikke op eller ned af skråninger der er for stejle til bakke lige op ad. Kør aldrig plænetraktoren på tværs af en skråning.

1. Brug kun hastighedspedalen til at kontrollere hastigheden. Brug ikke bremsepedalen på bakker.
2. For at forhindre ulykker, bevæg hastighedspedalen langsomt. Undgå pludselige drejninger og ændringer i hastigheden.
3. For at sænke den fremadgående hastighed ved kørsel ned af bakker, giv langsomt slip på hastighedspedalen indtil plænetraktoren har den ønskede hastighed.

Bremsning på bakker

1. Undgå at bremse på bakker. Hvis De i et nødstilfælde er nødt til at stoppe hurtigt, tag højre fod væk fra hastighedspedalen og træk hurtigt ned på den venstre bremsepedal.
2. Træk parkeringsbremsen.
3. Før De forlader sædet, sæt gashåndtaget til SLOW position, sæt klingerotationskontrollen til DISENGAGED position, sæt udstyrskoblingen til DISENGAGED position, sluk for motoren og træk parkeringsbremsen.

Brug ved start på bakker

1. Start motoren.
2. Sæt klingerotationskontrollen til ENGAGED position.
3. Sæt gashåndtaget til FAST position.

4. Træd på bremsepedalen og løs parkeringsbremsen. Mens De løsner parkeringsbremsen, skub hastighedspedalen til den ønskede hastighed.



Træd på bremsepedalen og løs parkeringsbremsen. Mens De løsner parkeringsbremsen, skub hastighedspedalen til den ønskede hastighed.

Før motoren startes

Kontroller olien

BEMÆRK: Motoren blev sendt fra fabrikken fyldt med olie. Kontroller olieniveauet. Fyld olie på efter behov. Se motorfabrikantens instruktioner for hvilken type af benzin og olie der bør bruges.

1. Vær sikker på at plænetraktoren er i niveau.

BEMÆRK: Kontroller ikke olieniveauet mens motoren kører.

2. Kontroller olien. Følg proceduren i motorfabrikantens instruktioner.
3. Hvis nødvendigt, fyld olie på indtil olien når FULL mærket på målepinden. Mængden af olie der behøves for at hæve niveauet fra ADD til FULL er vist på målepinden. Fyld ikke for meget olie på.

Fyld benzin på



ADVARSEL: Brug altid en forsvarlig benzinbeholder. Ryg ikke mens de hælder benzin på benzintanken. Fyld ikke benzin på når De er i et indelukke. Stop motoren og lad den afkøle i adskillige minutter før benzinen fyldes på.

(Figur 6) Fyld benzintanken (1) til FULL (2) position med almindelig blyfri benzin. Brug ikke premium blyfri benzin. Vær sikker på at benzinen er frisk og ren. Blyholdig benzin vil øge aflejringer og afkorte ventilernes levetid.

Start af motoren



ADVARSEL: Det elektriske system har en kontrol til at sikre brugerens tilstedeværelse, bl.a. en kontakt i sædet. Disse komponenter meddeler til det elektriske system om brugeren sidder i sædet. Dette system vil stoppe motoren, når brugeren forlader sædet. For Deres egen sikkerhed, vær altid sikker på at dette system fungerer korrekt.

BEMÆRK: Motoren vil ikke starte medmindre De træder på kobling/bremse pedalen og sætter klingekontrollen til DISENGAGE position.

1. Træd bremse pedalen helt fremad. Hold foden på pedalen.
2. Vær sikker på at klingekontrollen er i DISENGAGE position.
3. Sæt gashåndtaget helt fremad til CHOKE eller FAST position. Nogle modeller har et separat chokerhåndtag. Træk chokeren til fuld CHOKE position.
4. Drej tændningsnøglen til START position.

BEMÆRK: Hvis motoren ikke starter efter fire eller fem forsøg, sæt da gashåndtaget til FAST position. Prøv igen at starte motoren. Hvis motoren ikke vil starte, se da PROBLEMLØSNINGSOVERSIGTEN.

5. Sæt langsomt gashåndtaget til SLOW position.
6. For at starte en varm motor, sæt gashåndtaget til en position mellem FAST og SLOW.

Råd om klipping og brug af opsamlingspose

1. For et bedre resultat, kontroller klippehøjden på plænetraktorens klippeenhed. Se "Justering af plænetraktorens klippeenhed" i vedligeholdelsesektionen.
2. For at sikre at plænetraktorens klippeenhed klipper i niveau, vær sikker på at dækkene har det korrekte lufttryk.
3. Kontroller klingerne hver gang De bruger plænetraktoren. Udskift klingerne med det samme hvis de er bøjedede eller beskadigede. Kontroller også at bolten der holder klingerne fast er spændt.
4. Hold klingerne skarpe. Slidte klinger vil forårsage at græsspidserne bliver brune.
5. Klip ikke, og brug ikke opsamlingsposen, hvis græsset er vådt. Vådt græs vil ikke blive udslynget korrekt. Lad græsset tørre før slåning.
6. Brug venstre side af plænetraktorens klippeenhed til at skære tæt ved genstande.
7. Klippet græs bør udslynge på det allerede klippede område. Dette sikrer en mere jævn udslyngning af det klippede græs.
8. Når De slår et stort område, start med at dreje til høje således at det klippede græs bliver udslynget væk fra planter, hegn, indkørsler, etc. Efter en eller to omgange, slå til den modsatte side, ved at dreje til venstre, indtil De er færdig.
9. Hvis græsset er meget højt, slå i flere omgange for at mindske belastningen på motoren. Slå først med plænetraktorens klippeenhed i højeste position og sænk derefter plænetraktorens klippeenhed for den næste slåning.
10. For en bedre brug af motoren og en mere jævn udslyngning af det slåede græs, brug altid motoren med gashåndtaget i FAST position.
11. Når De bruger en opsamlingspose, brug da motoren med gashåndtaget i FAST position og hastighedskontrolpedalen skubbet mellem 1/3 og 1/2 fremad.
12. For et bedre resultat, rens bunden og toppen af plænetraktorens klippeenhed efter hver brug. Desuden vil rengøring af plænetraktorens klippeenhed mindske risikoen for en brand.

VEDLIGEHOLDELSE

BEMÆRK: Illustrationer begynder på side 2.

Almindelig råd og vejledning

1. Det er ejerens ansvar at vedligeholde dette produkt. Korrekt vedligeholdelse vil forlænge produktets levetid og er også nødvendig for at være dækket af garantien.

- Kontroller tændrøret, bremsen, smør plænetraktoren, og rens luftfilteret årligt.
- Kontroller skruer og møtrikker. Vær sikker på at alle skruer og møtrikker er spændt.
- Følg instruktionerne i vedligeholdelsesektionen for god brug og vedligeholdelse.



ADVARSEL: Før De kontrollerer, justerer, eller reparerer plænetraktoren, frakobl ledningen til tændrøret. Ved at frakoble ledningen til tændrøret forhindres motoren i at starte ved et uheld.

BEMÆRK: Drejningsmoment er målt i Nm. Denne måleenhed beskriver hvor stramt en bolt eller møtrik skal spændes. Drejningsmomentet måles med en momentnøgle.

Kontroller klingerne (Figur 7)



ADVARSEL: Før De kontrollerer eller tager klingerne af, frakobl ledningen til tændrøret. Hvis klingerne rammer en genstand, stop motoren. Kontroller plænetraktoren og klippeenheden for beskadigelse. Klingerne har skarpe ægge. Når De håndterer klingerne brug handsker eller andet materiale til at beskytte Deres hænder.

Hvis De holder **klingerne (1)** skarpe og kontrollerer for beskadigelse vil klingerne skære bedre og være sikrere at bruge. Kontroller regelmæssigt klingerne for udsædvanligt slid, revner eller anden beskadigelse. Kontroller regelmæssigt **møtrikken (3)** der holder **klingerne (1)**. **Møtrikken (3)** skal være spændt. Hvis klingerne rammer en genstand, stop motoren. Frakobl ledningen til tændrøret. Kontroller om klingerne er bøjeede eller beskadigede. Kontroller **klinge-koblingen (5)** for beskadigelse. Før De bruger plænetraktoren, udskift beskadigede dele med originale reservedele. Kontakt et autoriseret værksted i Deres område. Hver tredje år bør De have et autoriseret værksted kontrollere klingerne eller udskifte dem med nye originale klinger.

Afmontering og montering af klingerne (Figur 7)

- Fjern plænetraktorens klippeenhed. Se instruktionerne "Afmontering af plænetraktorens klippeenhed".
- Brug et stykke træ til at forhindre at klingerne roterer.
- Fjern **møtrikken (3)** der holder **klingerne (1)**.
- Kontroller **klingerne (1)** og **klinge-koblingen (5)** som beskrevet i instruktionerne "klingeinspektion". Udskift en meget slidt eller beskadiget **klinge** med en original reserveklinge. Kontakt et autoriseret værksted i Deres område.
- Rens toppen og bunden af plænetraktorens klippeenhed. Fjern al græs og snavs.
- Monter **klingerne (1)** og **klinge-koblingen (5)** på **akslen(6)**.
- Monter **klingerne (1)** således at **løfte kanterne (7)** er oppe. Hvis **klingerne** sidder på hovedet vil de ikke klippe korrekt og kan forårsage en ulykke.
- Fastgør **klingerne (1)** med originale skiver og **møtrikker (3)**. Vær sikker på at ydersiden af **Bellevilleskiven (2)** er mod **klingerne (1)**.



ADVARSEL: Sørg altid for at møtrikken (3) der holder klingerne er spændt (1). En løs møtrik eller klinge kan forårsage en ulykke.

- Spænd **møtrikken (3)** der holder **klingerne (1)** til et drejningsmoment af 41,5 Nm.
- Monter plænetraktorens klippeenhed. Se "Afmontering af plænetraktorens klippeenhed".

Justering af klinge-kontrollen



ADVARSEL: For at forhindre skade, må klinge-kontrollen fungere korrekt.

I normal brug behøver klinge-kontrollen ingen justering. Imidlertid, hvis resultatet af græsslåningen bliver dårligere eller kvaliteten af slåningen er dårlig, gør som følger.

- Når De slår, vær sikker på at gashåndtaget er i FAST position.
- (Figur 8) Sæt klinge-kontrollen til DISENGAGE position (1).
- Stop motoren. Frakobl ledningen til tændrøret.
- Kontroller klingerne. Hold klingerne skarpe. En klinge der ikke er skarp vil forårsage at græsspidserne bliver brune.
- (Figur 9) Frakobl **klinge-fjederen (2)** fra **klinge-kontrolskaffet (1)**. Sæt **klinge-fjederen (2)** i det **midterste hul (4)**. Dette vil øge spændingen på plænetraktorens drivrem.
- Fastgør ledningen til tændrøret. Slå et lille stykke og kontroller igen kvaliteten af slåningen. Om nødvendigt, sæt **klinge-fjederen (2)** til det **nederste hul (5)**.
- Kontroller igen kvaliteten af slåningen. Hvis kvaliteten af slåningen ikke er bedre, udskift plænetraktorens drivrem. Se "Udskiftning af plænetraktorens drivrem". Hvis udskiftning af drivremmen ikke udbedre problemet, tag da plænetraktoren til et autoriseret værksted.
- Sæt klinge-kontrollen til DISENGAGE position. Stop motoren.
- (Figur 10) Kontroller brugen af klinge-bremser. Roter remskiverne med hånden. Vær sikker på at **bremsebelægningskerne (1)** sidder tæt mod remskiverne.



ADVARSEL: Hvis bremsebelægningskerne (1) ikke sidder tæt mod remskiverne, tag da plænetraktoren til et autoriseret værksted.

- (Figur 8) Sæt klinge-kontrollen til ENGAGE position (2).
- (Figur 10) Kontroller belægningskerne på **klinge-bremseren (7)**. Hvis belægningskerne er meget slidt eller beskadigede, udskift bremsebelægningsenheden. Korrekte reservedele og assistance kan fås hos et autoriseret værksted.
- Fastgør ledningen til tændrøret. Slå et lille stykke og kontroller igen brugen af klinge-kontrollen.

- Når De sætter klinge-kontrollen til DISENGAGE position, vil al bevægelse stoppe indenfor fem sekunder. Hvis remmen stadig er i bevægelse eller klingerne fortsætter med at rotere, sæt og løs da klinge-kontrollen fem gange for at fjerne overflødig gummi fra en ny drivrem. Hvis De behøver hjælp, tag plænetraktoren til et autoriseret værksted.
- (Figur 9) Hvis De udskifter plænetraktorens drivrem, sæt **klinge-fjederen (2)** i det **øverste hul (3)**.

Kontrol og justering af drivremmen (Figur 18 og Figur 21)

Hvis drivremmen er løs, vil den glide når De kører op ad bakke, trækker et tungt læs, eller plænetraktoren vil ikke bevæge sig fremad.

VIGTIGT: Brug altid plænetraktoren i FAST position. Hvis motorhastigheden er sat i en langsom eller mellem position, kan motoren og transmissionen blive for varme og forårsage problemer tilsvarende til dem forårsaget af en løs kilerem.



ADVARSEL: Før De kontrollerer, justerer eller reparerer plænetraktoren, frakobl ledningen til tændrøret. Fjern ledningen fra tændrøret for at forhindre at motoren starter ved et uheld.

- (Figur 21) Kontroller at drivremmen (6) er lagt korrekt. Vær sikker på at drivremmen (6) er monteret korrekt og er i alle **remsporene (7)**.
- (Figur 18) Frakobl **clutch-linken (1)** fra **tomgangsarmen (2)**.
- (Figur 21) Placer hullet i **bremsehåndtaget (3)** således at det flugter med hullet i rammen. Hold **bremsehåndtaget (3)** på plads med en **1/4 tommer (6 mm) split eller bolt (4)**.
- (Figur 18) Roter **clutch-linken (1)** til **monteringshullet (5)** i **clutch-linken (1)** flugter med **monteringshullet (5)** i **tomgangsarmen (2)**.
- Kobl **clutch-linken (1)** til **tomgangsarmen (2)**.
- (Figur 21) Fjern **1/4 tommer (6 mm) splitten eller bolt (4)**.
- Hvis remmen stadigvæk glider efter at den er justeret, så er drivremmen slidt eller beskadiget og må udskiftes. Se "Udskiftning af drivremmen".

Kontrol og justering af kørebremser (Figur 12 og 20)

(Figur 20) Indkobl parkeringsbremsen. Sæt den **automatiske frakobling (1)** til **SKUB positionen (3)**. Skub enheden. Hvis baghjulene roterer, juster eller udskift bremsebelægningskerne. Juster **kørebremser (4)** som følger:

- (Figur 12) **Kørebremser (4)** er placeret på højre side af **gearkassen (5)**.
- (Figur 20) Vær sikker på at parkeringsbremsen er trukket og den **automatiske frakobling (1)** er i **SKUB positionen (3)**.
- (Figur 12) Drej den **sekskantede møtrik (6)** med uret indtil baghjulene ikke drejer når plænetraktoren skubbes fremad.
- Løs parkeringsbremsen og skub plænetraktoren. Hvis plænetraktoren ikke ruller, drej da den **sekskantede møtrik (6)** mod uret indtil plænetraktoren ruller.

5. Træk parkeringsbremsen. Skub plænetraktoren. Hvis baghjulene ikke drejer rundt, er **kørebremserne (4)** justeret korrekt. Løs parkeringsbremsen.



ADVARSEL: Hvis De ikke kan justere kørebremserne korrekt, udskift da bremsebelægningerne. Få korrekte reservedele og assistance fra et autoriseret værksted.

Afmontering af batteriet (Figur 4)

For at oplade eller rense batteriet (1), afmonter batteriet (1) fra plænetraktoren som følger.



ADVARSEL: For at forhindre gnister, afkobl det sorte batteri kabel (8) fra den negative (-) terminal før De afkobler det røde kabel (5).



ADVARSEL: Batteriet indeholder svovlsyre som kan forårsage skade på hud, øjne og tøj. Hvis der kommer syre på hud, øjne eller tøj, skyl omgående med vand.

1. Afkobl det **sorte kabel (8)** fra den **negative (-) terminal**.
2. Afkobl det **røde kabel (5)** fra den **positive (+) terminal (4)**.
3. Løft batteribakken (3) og batteriet (1) ud af plænetraktoren.

Opladning af batteriet (Figur 4)



ADVARSEL: Ryg ikke, når De oplader batteriet. Hold batteriet væk fra gnister. Dampene fra batterisyren kan forårsage en eksplosion.

1. Afmonter batteriet (1) før opladning.
2. Brug en 12 volt batterioplader til at oplade batteriet (1). Oplad med 6 Ampere i 1 time.
3. Monter batteriet (1).



ADVARSEL: For at forhindre gnister, fastgør det røde kabel til den positive (+) terminal før De forbinder det sorte kabel.

4. Fastgør det **røde kabel (5)** til den **positive (+) terminal (4)** med skruer og møtrikker som vist.
5. Fastgør det **sorte kabel (8)** til den **negative (-) terminal** med skruer og møtrikker som vist.

Justering af niveauhjulene

Akselboltene for niveauhjulene var monteret i LOW klippe position. For at ændre stillingen af niveauhjulene, flyt akselboltene som følger.

VIGTIGT: Fø De justerer niveauhjulene må De gøre som følger. Vær sikker på, at klippeenheden er i niveau. Vær sikker på, at klippehøjden er sat som De ønsker for Deres plæne. Klip et kort stykke på en flad overflade og kontrollér det klippede område. Hvis klippeenheden ikke klipper i niveau, se da instruktionerne "Niveausætning af klippeenheden".

F-050744L



ADVARSEL: Før De kontrollerer, justerer, eller reparerer plænetraktoren, afmonter ledningen til tændrøret. Fjern tændrørsledningen for at forhindre motoren i at starte ved et uheld.

1. (Figur 22, illustration "1") Afmonter niveauhjulene (12) og akselboltene (11).
2. (Figur 13) Klip et kort stykke på en flad overflade for at kontrollere niveauet og højden af klipningen. Kontrollér nummeret for positionen af klippehøjden (3) på løftehåndtaget (1).
3. (Figur 22, illustration "1") Kontrollér hvert niveauhjulbeslag (13). Der er tre huller i hvert beslag og et nummer ved siden af hvert hul. Nummeret for positionen af klippehøjden på løftehåndtaget indikerer det korrekte hul for brug ved hver niveauhjulbeslag (13).
BEMÆRK: Hjulbeslagshul nummer 1 er det samme som løftehåndtagsposition nummer 1, Hjulbeslagshul nummer 2 er det samme som løftehåndtagsposition nummer 2, Hjulbeslagshul nummer 3 er det samme som løftehåndtagspositioner nummer 3, 4, 5, 6.
4. Monter akselboltene (11) til niveauhjulbeslagene (13) ved at bruge det korrekte hul i beslaget som vist.

BEMÆRK: Hvis klippehøjden bliver ændret med løftehåndtaget, må De sætte niveauhjulene til det korrekte hul for at klipningen forbliver lige.

Justering af niveauet for klippeenheden (Figur 13 og Figur 14)

Hvis plænetraktorens klippeenhed er i niveau, vil klingerne skære lettere og resultatet være bedre.



ADVARSEL: Før De kontrollerer, justerer, eller reparerer plænetraktoren, afmonter ledningen til tændrøret. Fjern tændrørsledningen for at forhindre at motoren starter ved et uheld

1. Vær sikker på at plænetraktoren står på en hård flad overflade.
2. Kontrollér lufttrykket i dækkene. Hvis lufttrykket ikke er korrekt, vil klippeenheden ikke klippe i niveau. Det korrekte dæktryk er: Forhjul 0,97 BAR (14 PSI), baghjul 0,69 BAR (10 PSI).
3. Hvis allerede monteret, afmonter da målehjulene.
4. (Figur 13) Sæt løftehåndtaget (1) til positionen niveaujustering (2).
5. (Figur 14) Løs venstre og højre justerknap (1). Skub ned på begge sider af klippeenheden. Vær sikker på at begge sider af klippeenheden berører en flad overflade. Sørg også for at løfteleddene (2) er løse og let kan bevæges op og ned.
6. Tryk nedad på løfteleddene (2) og spænd den venstre og højre justerknap (1). Om nødvendigt, så brug en skruenøgle til at stramme justeringshåndtagene (1).



ADVARSEL: Løftehåndtaget (1) er fjederbelastet. Vær sikker på at løftehåndtaget (1) er låst i positionen niveaujustering (2).

7. (Figur 13) Løft løftehåndtaget (1) fra positionen niveaujustering (2) til positionen skærehøjde.
8. Hvis beregnet til målehjul, monter da disse.
9. Slå et lille stykke. Hvis højden af klipningen ikke er jævn, gentag trinene beskrevet ovenfor.

Smøring (Figur 15)



Modeller med smørekopper:
Smør med en smørepistol.
Påsmør fedt med en børste som vist.
Smør de viste områder med motorolie.

BEMÆRK: Smør fedt på styretøjsenheden.
FORSIGTIG: Hvis plænetraktoren bruges i et tørt område med sand, brug da en tør grafit spray til at smøre plænetraktoren.

Kontroller dækkene

Kontroller lufttrykket i dækkene. Dæk med for højt lufttryk vil forårsage plænetraktoren til at køre ujævnt. Desuden vil forkert lufttryk forhindre klippeenheden i at klippe i niveau. Det korrekte dæktryk er: Forhjul 0,97 BAR (14 PSI), baghjul 0,69 BAR (10 PSI).

Udskiftning af drivremmen

1. Afmonter klippeenheden. Se instruktionerne "Afmontering af plænetraktorens klippeenhed".
2. (Figur 16) Afmonter den midterste tomgangsremskive (4).
3. Afmonter tomgangsfjederen (7).
4. Afmonter tomgangskiven (8) og mellemsykket (9).
5. Afmonter den V-formede tomgangsremskive (5) og mellemstykke (13).
6. Tag drivremmen (1) af remskiven (6).
7. (Figur 17) For at afmontere drivremmen (1) fra remskiven (2), træk forenden af remmen under remskiven (2) og derefter tilbage mellem remskiven og styrepladen (3).
8. (Figur 11) Afmonter adgangspanelet (10).
9. Fjern de to skruer (11) der fastholder ratsamlingen (12). Løft rattet og ratsamlingen (12). Træk drivremmen (1) under ratsamlingen (12).
10. Afmonter drivremmen (1). Korrekte reservedele og assistance kan fås fra et autoriseret værksted i Deres område.
11. For at montere drivremmen, følg ovennævnte procedure i omvendt rækkefølge.
12. (Figur 16) Kontrollér at drivremmen (1) er lagt korrekt. Vær sikker på at drivremmen er monteret korrekt og er i alle resporene.
13. Før du bruger enheden, kontrollér clutchen ved "Kontrol og justering af clutchen".
14. Monter klippeenheden. Se "Montering af klippeenheden".

Udskiftning af klippeenhedens drivrem (Figur 10)

1. Afmonter klippeenheden. Se instruktionerne "Afmontering af plænetraktorens klippeenhed".

- Træk **remholderen (1)** væk fra **tomgangsremskiven (2)** og afmonter **klippeenhedens drivrem (3)**.
- Træk **remholderen (4)** væk fra den højre **akselremskive (5)** og afmonter **klippeenhedens drivrem (3)**.
- Træk **remholderen (4)** væk fra venstre **akselremskive (6)** og afmonter **klippeenhedens drivrem (3)**. Korrekte reservedele og assistance kan fås fra et autoriseret værksted i Deres område.
- For at montere klippeenhedens drivrem, følg ovennævnte procedure i omvendt rækkefølge.

Afmontering af plænetraktorens klippeenhed (Figur 22)

- Sæt **klingekontrollen (1)** til DISENGAGE position.
- Sæt **løftehåndtaget (2)** til positionen for justering klippeenhedens niveau.



Løftehåndtaget er fjedret. Kontroller at løftehåndtaget er låst i positionen NIVEAUJUSTERING.

- Afmonter splitterne og skiverne fra **justeringsarmene (3)**. Se illustrationer "C" og "D".
- Afmonter splitterne og skiverne fra **ophængningsledet (4)**. Se illustrationer "A" og "B".
- Afkobl **udtræksfjederen (5)** fra **klingekontrolstangen (6)**. Se illustration "E".
- Afkobl det **forreste beslag (9)** fra akselstøtten. Se illustration "F".

- Afmonter **klippeenhedens drivrem (7)** fra **remskiven (8)**.
- Træk klippeenheden væk fra højre side af plænetraktoren.
- For at montere klippeenheden, følg ovennævnte procedure i omvendt rækkefølge.

Udskiftning af sikringen

Hvis sikringen er gået vil motoren ikke starte. Afmonter sikringen og udskift med en 15 Amperes bilsikring.

Opbevaring (over 30 dage)

Ved afslutning af brug for året, følg følgende procedure for opbevaring af plænetraktoren.

- Dræn benzinen fra karburatoren og benzintanken. Skift motorolien. Se motorfabrikantens instruktioner.
- Rengør hele plænetraktoren.
- Oplad batteriet.

Bestilling af reservedele

Reservedele er vist enten på de sidste sider af denne instruktionsbog eller i en separat reservedelsbog.

Brug kun reservedele der er godkendt eller autoriseret af fabrikanten. Bogstavet som afslutter reservedelsnummeret indikerer hvilken type finish reservedelen har, C for forkromning, Z for forzinkning og PA for indkøbt del. Det er vigtigt,

at de inkluderer denne betegnelse når De bestiller en reservedel. Brug ikke tilbehør eller dele som ikke er udtrykkeligt anbefalet til denne plæneklipper. For at modtage den rigtige reservedel, må De opgive modelnummeret på Deres plæneklipper (se navneskiltet).

Reservedele, undtaget til motoren, gearet, transmissionsen og differentialet, kan fås i den butik hvor plæneklipperen blev købt, eller hos et værksted anbefalet af butikken.

Hvis De ikke er i stand til at få reservedele eller service som beskrevet ovenfor, kontakt da:

HAYTER LIMITED,
Service Department,
Spellbrook,
Bishop's Stortford,
Hertfordshire. CM23 4BU.

MURRAY, INC.

International Sales
P.O. Box 268
Brentwood, Tennessee USA 37024
1-800-251-8007
Fax (615) 373-6633 Telefonopringninger betalt af modtageren vil ikke blive accepteret.

Reservedele til motoren, transmissionsen og differentialet kan fås hos fabrikantens autoriserede værksteder som er listet i telefonfagbogen.

Se også de separate motor og gear garantier for bestilling af reservedele.

Ved bestilling er følgende information nødvendig:

- (1) Modelnummeret
- (2) Serienummer
- (3) Reservedelsnummer
- (4) Antal

PROBLEMLØSNINGSOVERSIGT

PROBLEM: Motoren vil ikke starte.

1. Følg trinene i "Start af motoren" i denne bog.
2. Modeller med selvstarter: Rengør batteriterminalerne. Spænd kablerne.
3. Kontroller om der er løse ledninger. Spænd kontakterne. (Se ledningsdiagrammet.)
4. Dræn benzintanken. Rengør benzinslangen. Udskift benzinfiltreret.
5. Fjern tændrøret. Sæt gashåndtaget til SLOW position. Drej tændingsnøglen til ON position. Prøv at starte motoren flere gange. Monter tændrøret.
6. Udskift tændrøret.
7. Juster karburatoren.

PROBLEM: Motoren vil ikke dreje.

1. Følg trinene i "Start af Motoren" i denne bog.
2. Modeller med selvstarter: Oplad batteriet.
3. Udskift sikringen.
4. Kontroller ledningsholderen for beskadigelse og løse forbindelser. Reparér beskadigede ledninger.
5. Modeller med selvstarter: Udskift starterrelæet. Modeller med trækstart: Udskift trækenheden.

PROBLEM: Motoren er svær at starte.

1. Juster karburatoren.
2. Udskift tændrøret.
3. Udskift benzinfiltreret.

PROBLEM: Motoren kører ikke jævnt eller taber kraft.

1. Kontroller olien.
2. Rengør luftfiltreret.
3. Rengør luftskærmen.
4. Udskift tændrøret.
5. Motoren arbejder for hårdt. Brug et lavere gear.
6. Juster karburatoren.
7. Udskift benzinfiltreret.

PROBLEM: Motoren kører ikke jævnt ved høj hastighed.

1. Udskift tændrøret.
2. Juster gashåndtaget.
3. Rengør luftfiltreret.
4. Udskift benzinfiltreret.

PROBLEM: Motoren stopper når klingerne sættes til.

1. Kontroller ledningsholderen for beskadigelse og løse forbindelser. Reparér beskadigede ledninger.
2. Der skal monteres græspose (gælder kun for model med græspose til bagendeudkastning).

PROBLEM: Motoren stopper på skråninger.

1. Slå op og ned af skråninger. Slå aldrig på tværs af skråninger.

PROBLEM: Motoren vil ikke køre i tomgang.

1. Udskift tændrøret.
2. Rengør luftfiltreret.
3. Juster karburatoren.
4. Juster gashåndtaget.
5. Dræn benzintanken. Rengør benzinslangen. Udskift benzinfiltreret.

PROBLEM: En ophedet motor forårsager tab af kraft.

1. Rengør luftskærmen.
2. Kontroller olien.
3. Juster karburatoren.
4. Udskift benzinfiltreret.

PROBLEM: Overdreven vibration.

1. Udskift klingerne.
2. Kontroller om motorskruerne er løse.
3. Sænk lufttrykket i dækkene.
4. Juster karburatoren.
5. Kontroller for en beskadiget drivrem eller beskadiget remskive. Udskift de beskadigede dele.

PROBLEM: Græsset bliver ikke udslynget korrekt.

1. Stop motoren. Rengør klippeenheden.
2. Løft klippehøjden.
3. Udskift eller skærp klingerne.
4. Sæt gearskiftet til en langsommere hastighed.
5. Sæt gashåndtaget til FAST position.
6. Udskift fjederen for klingetomgangen.
7. Rengør forlængerslangen og forbinderslangen (gælder kun for model med græspose til bagendeudkastning).

PROBLEM: Klippeenheden klipper ikke i niveau.

1. Kontroller lufttrykket i dækkene.
2. Juster niveauet af klippeenheden.
3. Kontroller forakslen. Hvis forakslen ikke drejer frit, løs akselboltene.

PROBLEM: Klingerne vil ikke rotere.

1. Kontroller klippeenhedens drivrem. Vær sikker på at remmen er monteret korrekt.
2. Udskift klippeenhedens drivrem.

PROBLEM: Plænetraktoren vil ikke køre når bremsen er løsnet og hastighedspedalen er trykket ned.

1. Kontroller drivremmen. Vær sikker på at remmen er monteret korrekt.
2. Juster koblingen.
3. Udskift drivremmen.
4. Frakobl den automatiske kørekontakt under sædet

PROBLEM: Plænetraktoren kører langsommere eller stopper når hastighedspedalen er trykket ned.

1. Juster koblingen.
2. Udskift drivremmen.

PROBLEM: Når bremsen er løsnet, er der mislyde fra en rem.

1. Midlertidig lyd fra en rem har ingen indflydelse på brug af plænetraktoren. Hvis lyden fortsætter, kontroller at remmen er lagt korrekt. Vær sikker på at remmen er inde i alle remspor.
2. Hvis lyden fortsætter, juster koblingen.

PROBLEM: Baghjulene snurrer rundt på ujævnt terræn.

1. Kontroller forakslen. Hvis forakslen ikke drejer frit, løs da akselboltene.

PROBLEM: Transakslen (kombinationen af gearkasse og differentiale) er svær at skifte mellem gearene mens motoren kører og koblingen er trykket ned.

1. Kontroller koblingens justering, og vær sikker på at remmen stopper når koblingspedalen er trykket i bund mens gearskiftet er i (N) neutral.
2. Kontroller remsporerne rundt om remskiven for transakslen. Vær sikker på at remsporerne ikke rører ved remskiven.

INNHold

INTERNASJONALE SYMBOLER	62
INFORMASJON TIL EIER	63
GODE DRIFTSVANER	63
MONTERING	64
BETJENING	65
VEDLIKEHOLD	66
FEILSØKINGSOVERSIKT	70

TOÅRIG GARANTI FRA MURRAY, INC.

Murray, Inc. garanterer den opprinnelige kjøper at denne enheten er fri for mangler i materiale og utførelse ved normal bruk og normalt vedlikehold i en periode på **to (2) år** fra kjøpedato. Denne garantien gjelder dog ikke motor, tilleggsutstyr (f.eks. snøfreser, snøplog, gressoppsamler og ploger), transmisjon, batterier og deler som normalt utsettes for slitasje (unntatt de nevnt nedenfor) eller transakselene. Fabrikantene av disse delene utsteder selv garantier, og tilbyr service gjennom sine godkjente serviceverksteder på stedet. Du finner mer informasjon i garantiene som dekker de enkelte delene. Hvis du er usikker på om din enhet inneholder eller er utstyrt med en eller flere av disse delene, bør du rådføre deg med forhandleren før endelig kjøp. Innenfor de vilkårene og betingelsene som er framsatt i denne garantien, vil vi i løpet av garantiperioden enten reparere eller skifte ut (etter vår vurdering)

deler som dekkes av garantien, uten omkostninger for den opprinnelige kjøperen. Dersom batteriet viser seg å være defekt etter nitti (90) dager, men innen ett hundre og tjue (120) dager fra kjøpedato, vil vi erstatte batteriet for en sum tilsvarende halvdel av veiledende pris ved retur.

Deler som utsettes for normal slitasje, defineres som belter, kniver, bladadaptere, trykkluftdekk, frontlys og setetrekk. Det garanteres at disse delene er fri for mangler i materiale og utførelse ved levering av produktet. Krav om reparasjon eller erstatning av deler som utsettes for normal slitasje, må framsettes senest tretti (30) dager etter kjøpedato. Krav som involverer skade som skyldes materiell bruk eller misbruk, vil ikke etterkommes.

Denne toårige garantien fra Murray, Inc. utgjør ditt eneste rettsmiddel. Garantien gjelder imidlertid ikke for enheter som er blitt tuklet med, endret, misbrukt eller brukt til utleie eller andre kommersielle og/eller forretningsmessige anvendelse (dvs. annet enn til privat bruk). Garantien dekker ikke mindre mekaniske justeringer som ikke skyldes defekter i materiale eller utførelse. Slå opp i instruksjonsboken hvis du trenger hjelp til å foreta slike justeringer. Hvis du skal framsette et krav under den **toårige garantien fra Murray, Inc.**, skal enheten (eventuelt kun den defekte delen, hvis dette er avtalt på forhånd) returneres sammen med kvittering til nærmeste godkjente serviceverksted. Ring til hoveddistributøren av deler i ditt område for å finne ut hvor nærmeste

serviceverksted ligger. Navnet finner du enten i den listen som følger med enheten, eller i de gule sider i telefonkatalogen. Dersom du returnerer hele enheten, vil enheten bli reparert. Dersom du har fått beskjed om bare å returnere den defekte delen, vil denne bli enten skiftet ut eller repareres. Ved feil i girkassen eller differensial (til forskjell fra en transaksel) må hele girkassen/differensialen returneres siden disse ikke har deler som kan vedlikeholdes av bruker.

Denne **toårige garantien fra Murray, Inc.** gir deg spesifikke juridiske rettigheter i tillegg til kjøpsloven og angrerestloven. **Denne garantien erstatter alle andre uttrykte eller underforståtte garantier, inkludert en underforstått garanti om salgbarhet og anvendelighet til et bestemt formål.** Dersom du vil ha mer informasjon om denne skriftlige garantien eller trenger hjelp til å få utført service, kan du kontakte:

HAYTER LIMITED,
Service Department,
Spellbrook,
Bishop's Stortford,
Hertfordshire. CM23 4BU.

MURRAY, INC.
International Sales
P.O. Box 268
Brentwood, Tennessee USA 37024
1-800-251-8007
Fax (615) 373-6633

INTERNASJONALE SYMBOLER

VIKTIG: Følgende symboler finner du på din enhet eller i de anvisningene som medfølger produktet. Før du tar enheten i bruk, bør du gjøre deg kjent med og forstå hensikten med hvert symbol.

NB: Illustrasjonene og symbolene begynner på side 2.

Sikkerhetssymboler (figur 23)

- 1 Advarsel
- 2 **VIKTIG:** Les brukerhåndbøkene før denne maskinen tas i bruk.
- 3 **ADVARSEL:** Fare for at gjenstander slynges ut. Hold tilskuere på god avstand. Les bruksanvisningen før denne maskinen tas i bruk.
- 4 **ADVARSEL:** Bruk ikke denne maskinen i skråninger som heller mer enn 10 grader.

- 5 **FARE:** Hold personer, og da spesielt barn, borte fra maskinen.
- 6 **FARE:** Ingen trappetrinn.
- 7 **FARE:** Hold hender og føtter i god avstand fra roterende kniver.
- 8 **Deklarerte flybårne lydeffektnivåer på 100 dB(A) er i overensstemmelse med direktiv 2000/14/EF.**
- 9 **FARE:** Kople fra tennplugg før vedlikehold.
- 10 **ADVARSEL:** Varm flate.
- 11 **ADVARSEL:** Vis forsiktighet ved til- og frakobling av tilleggsutstyr.
- 12 **ADVARSEL:** Fare for at fingre kan klemmes.
- 13 **VIKTIG:** Følg instruksjonene i brukerveiledningen for å planere klipperhuset.
- 14 **ADVARSEL:** Unnga klipperbladet mens motoren kjører.

Kontroll- og betjeningsymboler (figur 24)

- 1 Start motor
- 2 Lys
- 3 Kjør Motor
- 4 Stopp motor
- 5 Kjør Motor
- 6 Brems
- 7 Parkeringsbrems
- 8 Clutch
- 9 Sakte
- 10 Hurtig
- 11 Choke
- 12 Olje
- 13 Kontroll for roterende kniver
- 14 Løft
- 15 Drivstoff

MODEL NO.: 425607x52A

SKU No.:

YYYY MM DD: _____

SERIAL NO.:

2750 min-1

196 kg



Assembled in Lawrenceburg, TN 38464, U.S.A.

Deklarerte verdier for vibrasjon er i overensstemmelse med direktiv 98/37/EF.

Vibrasjon i overensstemmelse med BS EN 1032:

Sete < 0.5 m/s², Høyre løpebrett 1.05 m/s², venstre løpebrett 1.69 m/s²

Vibrasjon i overensstemmelse med BS EN 1032: Ratt 0.95 m/s²

Verdiene er målt med fører i førerposisjon når maskinen ble betjent stasjonært på en betongunderlag ved 2750 min-1.

Deklarerte flybårne lydeffektnivåer på 100 dB(A) er i overensstemmelse med direktiv 2000/14/EF.

Lydtrykk i førerposisjon 83 dB.

Verdiene er målt ved ørene i henhold til spesifikasjonene i EU-direktiv EN 836/A2:2001.

INFORMASJON TIL EIER

Gjør deg kjent med produktet: Hvis du forstår hvordan enheten fungerer, oppnår du også det beste resultatet. Etter hvert som du leser denne håndboken, bør du derfor sammenligne figurene med enheten. Lær deg hvor kontrollmekanismene sitter og hvordan de fungerer. Unngå ulykker ved å følge bruksanvisningene og sikkerhetsreglene. Oppbevar denne håndboken for eventuelt senere bruk.



ADVARSEL: Se etter dette symbolet, som betyr fare og viktige forholdsregler. Symbolet betyr: "OBS! Vær forberedt! Din sikkerhet er i fare!"

Eiers ansvar



ADVARSEL: Denne maskinen er i stand til å amputere hender og føtter og kaste objekter. Dersom du ikke tar følgende sikkerhetsanvisninger til etterretning, kan fører eller tilskuere påføres alvorlige skader med eventuelt døden til følge.

Det er eierens ansvar å følge følgende sikkerhetsanvisningene nedenfor.

GODE DRIFTSVANER

Gjelder for gressklippere med sete og roterende blad

Opplæring

- Les anvisningene nøye. Gjør deg kjent med kontrollene og riktig bruk av utstyret.
- La aldri barn eller personer som ikke er kjent med disse anvisningene, bruke gressklipperen. Det er mulig at lokale forskrifter fastsetter krav til førerens alder.
- Gressklipperen skal ikke brukes dersom personer, og da spesielt barn, eller kjæledyr oppholder seg i nærheten.
- Husk at føreren eller brukeren er ansvarlig for uhell og skader som påføres andre personer eller andres eiendom.
- Kjør aldri med passasjerer.
- Alle førere bør sørge for å få profesjonell og praktisk opplæring. Denne opplæringen bør legge vekt på følgende:
 - Behovet for forsiktighet og konsentrasjon ved bruk av gressklippere med sete
 - Gjenvinning av kontroll over setegressklippere som sklir i en skråning, oppnås ikke ved bruk av brems. Hovedårsakene til at du mister kontrollen er:
 - dårlig rattgrep
 - for stor fart
 - utilstrekkelig bremsing
 - maskintypen egner seg ikke til oppgaven
 - mangel på kunnskap om hvordan underlaget, spesielt skråninger, har innvirkning på maskinen
 - feil fordeling av trekk eller vekt

Klargjøring

- Under gressklipping bør man alltid bruke kraftig fottøy og lange bukser. Bruk ikke utstyret barfot eller i sandaler.
- Gå over området før du begynner å klippe, og fjern alle gjenstander som kan slynges ut av maskinen.

- ADVARSEL - Bensin er meget brannfarlig.**
 - Oppbevar drivstoff i spesiallagde beholdere som er beregnet på dette formålet.
 - Fyll opp tanken utendørs. Røyking må ikke forekomme mens du fyller på bensin.
 - Fyll på bensin før du starter motoren. Ta aldri av lokket på bensintanken eller fyll på bensin mens motoren er i gang eller varm.
 - Hvis du søler bensin, må du ikke prøve å starte gressklipperen. Flytt i stedet maskinen bort fra området med bensinsøl, og hold antenningskilder borte fra stedet til bensinen har fordampet helt.
 - Pass på at alle loddene på tanken og alle beholdere er skrudd godt fast.
- Skift ut defekte lydpotter.
- Foreta alltid en utvendig kontroll av alle kniver, knivbolter og klippeaggregatet for å være sikker på at disse delene ikke er slitt eller ødelagt før du bruker gressklipperen. Skift ut skadete eller slitte blader og bolter i hele sett for å bevare balansen.
- På maskiner med flere knivblad må du alltid utvise ekstra forsiktighet, fordi rotering av et blad kan medføre rotering av andre.

Bruk

- Bruk aldri maskinen i et avlukket område der det er fare for oppsamling av farlige karbonmonoksydgasser.
- Klipp kun i dagslys eller i godt kunstig lys.
- Før du prøver å starte maskinen, koples clutchene for knivblad ut og maskinen settes i fri.
- Gressklipperen skal ikke brukes i skråninger som heller mer enn 10 grader.
- Husk at ingen skråning er "trygg". All ferdsel i gresskråninger krever spesiell forsiktighet. Unngå at maskinen velter ved å ta følgende forholdsregler:
 - Stopp eller start ikke plutselig når du er på vei oppover eller nedover.
 - Kople clutchen sakte inn, og sørg for at maskinen alltid er i gir, spesielt i nedoverbakke.
 - Hold lav hastighet i skråninger og i skarpe svinger.
 - Vær oppmerksom på plutselige forhøyninger og fordypninger og andre usynlige farer
 - Klipp aldri på tvers i en skråning, med mindre gressklipperen er spesielt beregnet på dette.
- Vær forsiktig når du trekker last eller bruker tungt utstyr.
 - Bruk kun godkjente tilkoblingskontakter.
 - Begrens last til det du trygt kan kontrollere.
 - Foreta aldri skarpe svinger. Vær forsiktig når du kjører i revers.
 - Bruk motvekt eller hjulvekt når dette foreslås i instruksjonsboken.
- Hold øye med trafikken når du krysser eller klipper i nærheten av trafikkerte veier.
- Stopp all rotering av knivblad før du krysser annet underlag enn gress.
- Ved bruk av tilleggsutstyr, skal utkast av materiale aldri rettes mot tilskuere. La ingen komme i nærheten av gressklipperen mens den er i bruk.

- Gressklipperen skal aldri brukes med ødelagte deksler eller uten at vernedeksler sitter på plass.
- Innstillingene for motorregulator skal ikke justeres. Motoren skal heller ikke overruses. Overrusning av en motor ved høy hastighet kan øke faren for personskader.
- Husk følgende før du forlater føreraset:
 - Kople fra strømmen og senk tilleggsutstyr ned på bakken.
 - Sett gressklipperen i fri og sett på parkeringsbrems.
 - Slå av motoren og ta ut nøkkelen.
- Kople ut kraftoverføringen til tilleggsutstyr, slå av motoren og kople fra tennpluggledningene eller ta ut tenningsnøkkelen
 - før du fjerner blokkeringer i utkastrennen.
 - før du undersøker, rengjør eller utfører arbeid på gressklipperen.
 - etter at du har kjørt på en ukjent gjensstand. Kontroller at gressklipperen ikke er påført skade, og foreta eventuelle reparasjoner før du starter og betjener maskinen igjen.
 - hvis maskinen begynner å vibrere unormalt mye (se straks etter mulig årsak).
- Kople ut kraftoverføringen til tilleggsutstyr under transport eller når maskinen ikke er i bruk.
- Slå av motoren og kople ut kraftoverføringen til tilleggsutstyr
 - før du fyller på bensin
 - før du fjerner gressoppsamleren.
 - før du justerer høyden, med mindre denne justeringen kan foretas fra føreraset.
- Senk gassinstillingen når motoren skal stoppes. Hvis maskinen er utstyrt med en avstengingsventil, skal bensintilførselen stenges når du er ferdig med å klippe.
- Før og mens du kjører i revers, må du se **bakover i lav høyde** for å kontrollere at ingen småbarn er i nærheten.
- Vær ekstra forsiktig rundt hjørner, busker, trær og annet som kan blokkere sikten.

Vedlikehold og oppbevaring

- På maskiner med flere knivblad må du alltid utvise ekstra forsiktighet, fordi rotering av et blad kan medføre rotering av andre.
- Senk alltid knivbladene når maskinen parkeres, settes bort eller blir stående uten tilsyn en stund, med mindre du bruker en mekanisk lås.
- Pass på at alle bolter, muttere og skruer sitter stramt for å være sikker på at utstyret er i forsvarlig stand.
- Oppbevar aldri maskinen med bensin i tanken i en bygning hvor dunster kan nå en åpen flamme eller gnist.
- La motoren avkjøles før oppbevaring i et avlukke.
- Reduser faren for brann ved å holde oppbevaringsområdet fritt for gress, blad og mye fett.
- Undersøk gressoppsamleren ofte for å kontrollere at det ikke har oppstått slitasje eller skade.
- Skift slitte eller skadde deler av hensyn til sikkerhet.
- Dersom bensintanken må tømmes, bør dette gjøres utendørs.

MONTERING

Alle festeanordninger finnes i komponentposen. Ingen av komponentene eller materialet bør kastes før enheten er ferdig montert.



ADVARSEL: Husk alltid å fjerne ledningen fra tennpluggen før du monterer eller utfører vedlikehold på hagetraktoren.

NB: I denne brukerhåndboken viser "venstre" og "høyre" til hvilken side et objekt befinner seg på i forhold til føreren når han eller hun sitter i førersetet.

NB: Figurer og symboler finnes på side 2.

NB: For å montere følgende løse deler, bruk festeustyret som er vist i full størrelse i figur 25.

Montering av forhjul (figur 1)

Skjær åpen alle fire sider av innpakningen. Monter **forhjulene (1)** som ligger i innpakningen.

NB: Løft forparten av hagetraktoren ved hjelp av et trestykke som er ca. 1,25 m, eller få hjelp av en annen person til å løfte traktoren. Pass på at traktoren ikke faller ned.

1. Løft forparten av traktoren. Legg et stykke tre under traktoren for holde den oppe.
2. **Ventilspindelen (2)** skal være på utsiden av traktoren. Sett **forhjulet (1)** på **forhjulsspindelen (3)**.
3. Fest begge **forhjulene (1)** med **underlagskive (4)** og **splinter (5)**. Bøy endene på **splintene** fra hverandre for å feste **forhjulet (1)** på **forhjulsspindelen (3)**.
4. Etter at **forhjulene (4)** er montert, senk traktoren og dytt den ut av innpakningen.
5. Dersom traktoren har **hjulcapsler (6)**, kan disse settes på nå. Se etter at **underlagskivene (4)** holder **capslene (6)** på plass.

Sammensetting av gressklipperhus (figur 22)

1. Flytt **knivroteringskontrollen (1)** til DISENGAGE (utkoplet).
2. Flytt **løftestangen (2)** til stillingen for nivåjustering.



ADVARSEL: Løftestangen er fjærbelastet. Påse at løftestangen er låst i posisjonen LEVEL ADJUSTMENT (planering).

3. Kople **fronthengeren (9)** til platen med festeanordningene. Se illustrasjon "H".
4. Trykk gressklipperhuset ned under høyre side av enheten.
5. Fest gressklipperens **driveim (7)** til **samlingsstrinsen (8)**. Se illustrasjon "G".

VIKTIG: Påse at "V"-siden av drivremmen vender mot samlingsstrinsen. Pass også på at drivreimen ikke er vridd.

6. Fest **fronthengeren (9)** til akselstøtten. Se illustrasjon "F".
7. Påse at **drivreimen (7)** går mellom **samlingsstrinsen (8)** og de to **reimlederne (10)**. Se illustrasjon "G".
8. Fest **opphengskoplingene (4)** til løftestangen. Fest med hårnålene og underlagsskivene. Se illustrasjonene "A" og "B".

F-050744L

9. Fest venstre og høyre **justeringsarm (3)** til opphengsarmene. Fest med hårnålene og underlagsskivene. Se illustrasjonene "C" og "D".
10. Fest **strekfjæren (5)** til **knivkontrollstangen (6)**. Se illustrasjon "E".
11. Flytt **knivroteringskontrollen** til posisjonen ENGAGE (tilkoplet). Påse at **gressklipperens driveim** er innenfor alle **reimlederne**.
12. Påse at gressklipperhuset er plant. Se instruksjonene om "Planering av gressklipperhuset".
13. (**figur NO TAG**) Fest **støttehjulene (12)** til **akselboltene (11)** med festeanordningene. Se illustrasjon "I".
14. Påse at knivroteringskontrollen fungerer som den skal. Se instruksjonene om "Justering av knivroteringskontroll".

Montering av sete (figur 2)

1. Fjern platen forsiktig fra **setet (1)**.
2. Juster hullene i **setehengselet (2)** på linje med hullene i **setet (1)**. Fest **setet (1)** til **setehengselet (2)** med **festeanordningene (4)** og **(5)**.
3. Undersøk om **setet (1)** må justeres. Løsne i så fall de to **vingeboltene (5)**. Skyv **setet (1)** forover eller bakover langs **justeringshullene (3)**. Stram **vingeboltene (5)**.

Montering av ratt (figur 3)

1. Sørg for at forhjulene er rettet opp.
2. Skyv **dekselet (3)** over **rattstammen (2)**. Sørg for at **kragen på dekselet (3)** vender opp.
3. Skyv **rattet (1)** inn på **rattstammen (2)**.
4. Fest **rattet (1)** til **rattstammen (2)** med **skruer (4)** og **underlagsskive (6)**.
5. Noen modeller leveres med et **navnemerke (7) (valgfritt)** i komponentposen. Fest dette **navnemerke (7)** i midten av **rattet (1)**.

Vedlikeholdsfritt batteri (figur 4)

VIKTIG: Før du kople batterikablene til batteriet, må du sjekke datoen på batteriet. Denne vil fortelle deg om batteriet trenger å lades opp.

1. Se på oversiden og siden av **batteriet (1)** for å finne batteridatoen.
2. Hvis **batteriet (1)** tas i bruk før datoen, kan du kople batterikablene til batteriet uten å lade opp **batteriet (1)**. Se under "Tilkopling av batterikabler".
3. Hvis **batteriet (1)** tas i bruk etter datoen, må du først lade opp **batteriet (1)**. Se "Opplading av vedlikeholdsfritt batteri".

Opplading av batteri (figur 4)



ADVARSEL: Røyking skal ikke forekomme under opplading av batteriet. Hold batteriet borte fra gnister. Dunsten fra batterisyren er eksplosjonsfarlig.

1. Fjern **batteriet (1)** og **batteribrettet (3)**.
2. Fjern den beskyttende hetten fra batteripolen.

3. Bruk en 12 volts batterilader til å lade opp **batteriet (1)**. Lad opp med en hastighet på 6 ampere per time. Dersom du ikke har en batteriopplader, bør du få et godkjent servicesenter til å lade opp batteriet for deg.
4. Monter **batteriet (1)** og **batteribrettet (3)**. Sørg for at den **positive (+) polen (4)** sitter på venstre side.

Montering av batterikabler (figur 4)



ADVARSEL: For at du skal unngå gnister, bør du feste den røde kablen til den positive (+) polen før du kople til den svarte kablen.

1. Fjern den beskyttende hetten fra batteripolen..
2. Skyv **terminaldekselet (2)** over den **røde kablen (5)**. Fest den **røde kablen (5)** til den **positive (+) polen (4)** med **festeanordning (6)** og **(7)**.
3. Fest den **svarte kablen (8)** til den negative (-) polen med **festeanordning (5)** og **(7)**.

Kontroll av dekk

Undersøk lufttrykket i dekkene. Kjøreturen blir ujevn og humpete dersom det er for mye luft i dekkene. Feil lufttrykk fører også til at gressklipperhuset klipper ujevnt. Riktig lufttrykk er: forhjul - 0,97 BAR (14 PSI) og bakhjul - 0,69 BAR (10 PSI). Dekkene ble fylt med for mye luft ved fabrikkens tanke på transport.

Undersøk at gressklipperhuset er plant

Forsikre deg om at klippehøyden fortsatt er riktig. Etter å ha klippet et kort stykke, undersøk du området du nettopp klippet. Hvis gressklipperhuset ikke har klipt jevnt, slår du opp på "Planering av gressklipperhus" under Vedlikehold, Service og Justering i denne boken.

Klargjøring av motor

NB: Motoren ble sendt fra fabrikanten påfylt med olje. Sjekk oljenivået og etterfyll om nødvendig.

Les motorfabrikantens anvisninger for å finne ut hvilke typer bensin og olje du bør bruke. Før enheten tas i bruk, bør du dessuten lese anvisningene vedrørende sikkerhet, drift, vedlikehold og oppbevaring.



ADVARSEL: Følg motorfabrikantens anvisninger vedrørende hvilke typer bensin og olje som skal brukes. Bruk alltid en forsvarlig bensinkanne. Det må ikke røykes under bensinpåfylling. Bensin skal påfylles utendørs. Slå av motoren før du fyller på bensin. La motoren få avkjøles i flere minutter.

MERK: Faktiske vedvarende hestekrefter vil sannsynligvis være lavere på grunn av driftsbegrensninger og miljømessige faktorer.

Viktig! Før du begynner klippingen:

- Sjekk motoroljen
- Fyll bensin på tanken
- Sjekk lufttrykket i dekkene
- Sjekk at gressklipperen er planert
- Kople til batterikablene

BETJENING

NB: Figurer og symboler begynner på side 2.

Plassering av kontrollene (figur 5)

Knivrotteringskontroll (1): Bruk knivrotteringskontrollen til å starte og stoppe rotasjonen av kniven.

Bremsepedal (2): Bruk bremsepedalen til å stanse raskt.

Frontlysbryter (3): Frontlysbryteren er første del av tenningsnøkkelen. Hvis du vil ha på lys mens motoren er i gang, snur du nøkkelen til lysinnstillingen.

Tenningsbryter (3): Bruk tenningsbryteren til å starte og stoppe motoren.

Gasspedal (4): Bruk gasspedalen til å forandre enhetens hastighet og kjøreretning.

Løftespak (5): Bruk løftespaken til å endre klippehøyden til gressklipperen.

Parkeringsbremsespak (6): Bruk parkeringsbremsespaken til å sette på bremsen når du forlater enheten.

Gasshåndtak (7): Bruk gasshåndtaket til å øke eller redusere motorturtallet.

Automatisk utkopler for kraftoverføringen

(8): Bruk den automatiske utkoplere for kraftoverføringen, plassert under setet, til å kople ut enhetens kraftoverføring.

Tilleggsutstyr

Denne enheten kan brukes sammen med en rekke typer tilleggsutstyr. Enheten kan trekke deler som en plenrake, piggtrommel eller traktspreader. Enheten kan derimot ikke trekke utstyr som bearbejder jorden, som f.eks. plog, skålhar eller jordfraser.

Enheten kan ikke trekke tilhengere eller tilhengerutstyr som veier mer enn 113 kg.

Bruk av gasshåndtak (figur 5)

Bruk **gasshåndtaket (7)** til å redusere eller øke motorens turtall

1. Stillingen FAST (hurtig) er angitt med en fordykning. Ved normalt bruk og ved bruk av gressoppsamler settes håndtaket i stillingen FAST (hurtig). Hvis du dessuten vil at batteriet skal lades opp maksimalt og ønsker en kjøligere motor, bruker du også denne innstillingen.
2. Fabrikanten har innstilt motorregulatoren slik at motoren yter maksimalt. Du bør ikke justere motorregulatoren i den hensikt å øke motorturtallet.

Bruk av knivrotteringskontroll (figur 5)

Bruk **knivrotteringskontrollen (1)** til å kople inn kniven.

1. Før du starter motoren, må du kontrollere at **knivrotteringskontrollen (1)** står i stillingen DISENGAGE (utkople).

F-050744L

2. Flytt **knivrotteringskontrollen (1)** til stillingen ENGAGE (i inngrep) for å få knivbladet til å rotere.

NB: Hvis motoren stopper når du kople inn kniven, betyr dette at setebryteren ikke er aktivert. Pass på at du sitter midt på setet.

3. Flytt **knivrotteringskontrollen (1)** til stillingen DISENGAGE (utkople) for å stanse kniven. Undersøk at kniven har sluttet å rotere før du forlater setet.

4. Flytt **knivrotteringskontrollen (1)** til stillingen DISENGAGE (utkople) før du krysser et fortau eller en vei.



ADVARSEL: Husk alltid å holde hender og føtter borte fra kniven, avledningsåpningen og gressklipperhuset så lenge motoren er i gang.

Bruk av gasspedal (figur 5)

Drivsystemet bruker en automatisk hydrostatisk kraftoverføring. Hydrostatisk kraftoverføring er svært enkel å bruke. Denne typen drivsystem krever verken girspak eller clutchpedal.

Hastigheten og kjøreretningen styres av en enkelt **gasspedal (4)** som betjenes med høyre fot. Ikke bruk venstre bremsepedal under normale forhold. Bruk kun venstre bremsepedal når du ønsker å stanse raskt i et evt. nødtilfelle.

Kjøring forover

1. (**Figur 20**) Kontroller at den **automatiske utkoplere for kraftoverføringen (1)** er i driftstilling (**2**).
2. Løft venstre fot sakte av bremsepedalen.
3. Flytt gasshåndtaket til stillingen FAST (hurtig).
4. (**Figur 19**) Trå **gasspedalen (1)** langsomt **forover (4)** til ønsket stilling.
5. For å øke hastigheten forover, trå **gasspedalen (1)** forsiktig inn. For å redusere hastigheten forover, slipp **gasspedalen (1)** sakte opp til ønsket hastighet.

Kjøring bakover

1. Se bakover.
2. Flytt **gasspedalen (1)** sakte til stillingen **REVERSE (revers) (2)**.

Endring av kjøreretning

FORSIKTIG: Ikke bruk venstre bremsepedal når du forandrer kjøreretning. Bruk kun **gasspedalen**.

1. Løft foten sakte av **gasspedalen (1)**. **Gasspedalen (1)** går automatisk tilbake i **NEUTRAL (fri) (3)**.
2. Når enheten stopper, flytt **gasspedalen (1)** sakte til ønsket kjøreretning.

Utkopling av kraftoverføring (figur 20)

For å skyve enheten, bruk den **automatiske utkoplere for kraftoverføringen (1)** til å kople ut kraftoverføringen. Den **automatiske utkoplere (1)** er plassert under setet.

1. Motoren må være av.
2. Hev setet. Den **automatiske utkoplere (1)** er plassert under setet.

3. Flytt den **automatiske utkoplere (1)** til **posisjon PUSH (3)** og lås den fast der. Kraftoverføringen er nå *kople ut* og du kan skyve enheten.

MERK: Når det er kaldt vil transmisjonsoljen, som har høy viskositet, gjøre det vanskelig å skyve enheten.

4. For å kople til girkassen, tar du løs den **automatiske utkoplere (1)**. Kraftoverføringen er nå *kople inn*, og enheten er klar til bruk.

Bruk av parkeringsbrems (figur 5)

1. Trå **bremsepedalen (2)** helt inn.
2. Løft **parkeringsbremsespaken (6)**.
3. Løft foten av **bremsepedalen (2)** og slipp **parkeringsbremsespaken (6)**. Forsikre deg om at parkeringsbremsen kan holde enheten.
4. Kople ut **parkeringsbremsen (6)** ved å trå **bremsepedalen (2)** helt inn. Parkeringsbremsen koples nå automatisk ut.



ADVARSEL: Før du forlater førerstedet, sett på **parkeringsbremsen**. Flytt **knivrotteringskontrollen til stillingen DISENGAGE (utkople)**. Stopp motoren og ta ut tenningsnøkkelen.

Justering av klippehøyde (figur 5)

Når du skal justere klippehøyden, løftes eller senkes **løftespaken (5)** på følgende måte:

1. Flytt **løftespaken (5)** fremover når du skal senke gressklipperhuset, og bakover når du skal løfte gressklipperhuset.
2. Når du kjører over fortau eller vei, flytt du **løftespaken (5)** til høyeste innstilling og sett knivrotteringskontrollen i stillingen DISENGAGE (utkople).

Stopping av enheten (figur 5)

1. Løft foten sakte av **gasspedalen (4)**. Gasspedalen (1) går automatisk tilbake i stillingen **NEUTRAL (fri)** og enheten stopper.
2. Flytt **knivrotteringskontrollen (1)** til **DISENGAGE (utkople)**.
3. Sett på **parkeringsbremsen (6)**.



ADVARSEL: Forsikre deg om at **parkeringsbremsen** kan holde enheten.

4. Flytt **gasshåndtaket (7)** til stillingen **SLOW (sakte)**.
5. Stopp motoren ved å vri **tenningsnøkkelen (3)** til **OFF (av)**. Ta ut nøkkelen.

Transport av enheten

Følg punktene nedenfor når enheten skal transporteres:

1. Flytt **knivrotteringskontrollen** til **DISENGAGE (utkople)**.
2. Løft løftestangen til høyeste innstilling.
3. Flytt gasshåndtaket til en innstilling mellom **FAST (hurtig)** og **SLOW (sakte)**.
4. Trå **gasspedalen** sakte inn til ønsket hastighet.

Betjening med gressklipperhus

VIKTIG: Når du bruker gressklipperhuset, husk alltid å la gasshåndtaket stå i stillingen FAST (hurtig).

1. Start motoren.
2. Flytt løftestangen til klippehøyde. I høyt eller tykt gress klippes gresset først i høyeste stilling. Deretter senkes klipperhuset til en lavere stilling.
3. Flytt gasshåndtaket til stillingen SLOW (sakte).
4. Flytt knivrotteringskontrollen sakte til stillingen ENGAGE (i inngrep).
5. Flytt gasshåndtaket til stillingen FAST (hurtig).
6. Skyv gasspedalen sakte til ønsket hastighet.

NB: Når du klipper i tykt gress eller med en gressoppsamler, kjør sakte forover.

7. Forsikre deg om at klippehøyden fortsatt er riktig. Etter å ha klippet et kort stykke, undersøker du området du nettopp klippet. Hvis gressklipperhuset ikke har klipt jevnt, slår du opp på "Planering av gressklipperhus" under Vedlikehold i denne boken.



ADVARSEL: Kjør med en hastighet som gir deg forsvarlig kontroll over enheten.

Bruk i skråninger



ADVARSEL: Kjør aldri opp eller ned i skråninger som er så bratte at du ikke kan kjøre rett opp i revers.

Kjør aldri på langs av en skråning.

1. Hastigheten skal bare styres med gasspedalen. Ikke bruk bremsepedalen mens du kjører i skråninger.
2. Unngå å svinge eller endre hastigheten plutselig. Slik kan du hindre uhell.
3. For å redusere hastigheten mens du kjører nedover en skråning, slipper du gasspedalen sakte til enheten oppnår ønsket hastighet.

Støppe i skråninger

1. Unngå å stoppe i skråninger. Hvis du må stoppe raskt (i nødstilfelle), tar du høyre fot av gasspedalen og trår raskt på den venstre bremsepedalen.
2. Kople inn parkeringsbremsen.
3. Før du går av gressklipperen: flytt gasshåndtaket til stillingen SLOW (sakte), flytt knivrotteringskontrollen til stillingen DISENGAGED (utkoplet), slå av motoren og kople til parkeringsbremsen.

Starte i skråninger

1. Start motoren.
2. Flytt knivrotteringskontrollen til stillingen ENGAGED (i inngrep).
3. Flytt gasshåndtaket til stillingen FAST (hurtig).
4. Trå på bremsepedalen og slipp opp parkeringsbremsen. Mens du slipper opp parkeringsbremsen, trår du på gasspedalen til enheten oppnår ønsket hastighet.

F-050744L



Trå gasspedalen langsomt ned mens du slipper opp parkeringsbremsen. Parkeringsbremsen må koples ut før gasspedalen kan kople inn kraftoverføringen.

Før oppstart av motor

Sjekk oljen

NB: Motoren ble sendt fra fabrikanten med olje allerede fylt på. Sjekk likevel oljenivået, og etterfyll om nødvendig. Les fabrikantens anvisninger om hvilke typer olje og bensin enheten bruker.

1. Pass på at enheten står plant.

NB: Du må aldri undersøke oljenivået mens motoren er i gang.

2. Undersøk oljenivået. Følg prosedyren i motorfabrikantens anvisninger.
3. Fyll eventuelt på olje til nivået når opp til FULL-merket på målepinnen. Målepinnen viser hvor mye olje du må fylle på fra ADD (fyll på) til FULL. Pass på at du ikke fyller på for mye.

Fyll på bensin



ADVARSEL: Bruk alltid en forsvarlig bensinkanne. Det må ikke røykes under bensinpåfylling. Bensin skal påfylles utendørs. Slå av motoren før du fyller på bensin. La motoren få avkjøles i flere minutter.

(Figur 6) Fyll bensintanken (1) opp til FULL (2) med vanlig blyfri bensin. Bruk ikke blyfri bensin med høyt oktantal. Sørg for at bensin er ny og ren. Blyholdig bensin øker mengden av avsetninger og forkorter ventilenes levetid.

Oppstart av motor



ADVARSEL: Det elektriske systemet registrerer hvorvidt føreren sitter i føreraset ved hjelp av en sensorbryter i setet. Systemet stanser motoren når føreren forlater setet. Av hensyn til din egen sikkerhet bør du alltid kontrollere at dette systemet fungerer som det skal.

NB: Motoren vil ikke starte før du trår inn clutch-/bremsepedalen, og samtidig flytter knivrotteringskontrollen til DISENGAGED (utkoplet).

1. Trå bremsepedalen helt inn. La foten forbli på pedalen.
2. Kontroller at knivrotteringskontrollen står i stillingen DISENGAGED (utkoplet).
3. Flytt gasshåndtaket helt fram til stillingen CHOKE eller FAST (hurtig). Noen modeller har en egen chokebryter. Denne trekkes ut til full CHOKE-innstilling.
4. Vri tenningsnøkkelen til START.

NB: Dersom motoren ikke starter etter fire-fem forsøk, flyttes gasshåndtaket til stillingen FAST (hurtig). Prøv så på nytt. Hvis motoren fortsatt ikke vil starte, bør du slå opp i FEILSØKINGS-OVERSIKTEN.

5. Flytt gasshåndtaket langsomt til stillingen SLOW (sakte).
6. Når du skal starte en motor som allerede er varm, flytter du gasshåndtaket mellom SLOW (sakte) og FAST (hurtig).

Tips om klipping og oppsamling

1. For å få plenen til å se bedre ut, undersøk klippenivået i gressklipperen. Se under "Planering av gressklipperhuset" i delen Vedlikehold hvis du vil ha flere opplysninger.
2. Undersøk at lufttrykket i dekkene er riktig, da det også har innvirkning på hvor jevn klippingen blir.
3. Undersøk knivbladet hver gang du skal bruke enheten. Hvis kniven er bøyd eller skadd, skal den straks skiftes ut. Se også etter at mutteren som fester kniven til enheten, sitter stramt.
4. Sørg for at kniven(e) er skarpe. Sløve kniver får gresstuppene til å bli brune.
5. Gress som er vått, bør verken klippes eller samles opp. Vått gress blir ikke kastet ut på riktig måte. La derfor gresset tørke før du klipper det.
6. Bruk venstre side av gressklipperen til å klippe nær gjenstander.
7. La det kligte gresset kastes ut over det nyklippede området. Dette bidrar til en jevnere utkastning av det avklippede gresset.
8. Når du klipper større områder, bør du begynne med å svinge til høyre, slik at kligte gress kastes bort fra busker, gjerder, innkjørsler osv. Etter et par runder kan du klippe i den motsatt retningen og foreta venstresvinger, til gresset er ferdigklippet.
9. Dersom gresset er veldig høyt, bør du klippe det to ganger for å redusere belastningen på motoren. Klipp først med gressklipperhuset løftet til høyeste stilling. Senk deretter huset til en lavere stilling for andre omgang.
10. Motoren bør alltid benyttes med gasshåndtaket i innstillingen FAST (hurtig). Dette bidrar til at motoren yter mer, og utkastningen av kligte gress blir jevnere.
11. Når du bruker en gressoppsamler, kjør med gasshåndtaket i posisjonen FAST (hurtig) og hastighetskontrollpedalen trykket fra 1/3 til 1/2 gang forover.
12. Etter bruk bør bunnen og toppen av gressklipperen rengjøres for å holde yteevnen ved like. En ren gressklipper reduserer dessuten faren for brann.

VEDLIKEHOLD

NB: Figurer og symboler begynner på side 2.

Generelle anbefalinger

1. Eierne har selv ansvar for vedlikehold av dette produktet. Godt vedlikehold forlenger produktets levetid, og er dessuten nødvendig for at garantien skal være gyldig.
2. Sjekk tennpluggen, brems, smør enheten og rens luftfiltrene minst én gang i året.
3. Undersøk festeanordningene. Pass på at alle festeanordninger sitter stramt.
4. Følg anvisningene i delen Vedlikehold for å holde enheten i god stand.



ADVARSEL: Husk å kople fra kabelen til tennpluggen før du foretar en kontroll, justering eller reparasjon av enheten. Kabelen fjernes fra tennpluggen for å unngå at motoren starter ved et uhell.

NB: Torsjonsmomentet måles i Nm. Denne målingen forteller hvor stram en mutter eller bolt skal være. Momentet måles med en momentnøkkel.

Undersøk knivblad (figur 7)



ADVARSEL: Kople fra kabelen til tennpluggen før du undersøker eller fjerner et knivblad. Dersom bladet treffer en gjenstand, må du stanse motoren. Kontroller at enheten ikke er påført skade. Bladet har svært skarpe kanter. Ved håndtering av bladet bør du derfor bruke hansker eller et tøyestykke for å beskytte hendene.

Dersom du holder **knivbladet (1)** skarpt og kontrollerer at det ikke er påført skade, vil bladet kutte bedre og være tryggere å håndtere. Undersøk bladet ofte for å være sikker på at det ikke er slitt, har sprukket eller er på annen måte skadet. Undersøk også **mutteren (3)** som holder **bladet (1)** fast. Sørg for at denne mutteren sitter stramt til alle tider. Dersom bladet treffer en gjenstand, må motoren slås av. Kople fra kabelen til tennpluggen. Undersøk så om bladet er skadd eller bøyd. Se også etter at **bladadapteren (5)** ikke er påført skade. Skift til slutt alle skadde deler med originale reservedeler før du tar enheten i bruk. Ta kontakt med et godkjent serviceverksted i nærheten. La en godkjent forhandler kontrollere eller skifte det gamle knivbladet med en original reservedel hvert tredje år.

Fjerning og montering av knivblad (figur 7)

1. Ta gressklipperhuset (se under "Fjerning av gressklipperhus").
2. Bruk et stykke tre for å forhindre at bladet roterer.
3. Fjern **mutteren (3)** som fester **bladet (1)**.
4. Undersøk **bladet (1)** og **bladadapteren (5)** i henhold til anvisningene under "Undersøk knivblad". Skift ut **knivblad** som er sterkt slitt eller ødelagt, med originaldeler. Ta kontakt med et godkjent serviceverksted i nærheten.
5. Rengjør både bunnen og toppen av gressklipperhuset. Fjern alt gress og annet avfall.
6. Sett **bladet (1)** og **bladadapteren (5)** på **spindelen (6)**.
7. Monter **bladet (1)** slik at de **skarpe oppbøyde kantene (7)** vender oppover. Dersom **bladet** sitter opp ned, vil det ikke klippe på riktig måte, noe som kan medføre en ulykke.
8. Fest **bladet (1)** med de originale underlagsskivene og **mutter (3)**. Sjekk at utsiden av **underlagsskiven (2)** berører **bladet (1)**.

F-050744L



ADVARSEL: Mutteren (3) som holder bladet på plass, må alltid sitte stramt. En løs mutter eller et løst blad kan medføre en ulykke.

9. Trekk **mutteren (3)** som holder **bladet (1)**, til et moment tilsvarende 41,5 Nm.
10. Monter gressklipperhuset (se "Fjerning av gressklipperhus").

Justering av knivroteringskontroll



ADVARSEL: For å unngå en ulykke må knivroteringskontrollen alltid fungere på riktig måte.

Ved vanlig bruk er det ikke nødvendig å justere knivroteringskontrollen. Hvis gressklipperens ytelse eller kvaliteten på klippingen likevel reduseres, gjøres følgende endringer:

1. Når du klipper gress, må du passe på at gasshåndtaket står i stillingen FAST (hurtig).
2. (Figur 8) Flytt knivroteringskontrollen til **DI-SENGAGE (fri) (1)**.
3. Slå av motoren. Kople fra kabelen til tennpluggen.
4. Undersøk kniven(e). Sørg for at kniveggen (e) alltid er kvass. Et sløvt blad vil medføre at gresstuppene blir brune.
5. (Figur 9) Kople **knivbladets drivfjær (2)** fra **kontrollstangen (1)**. Flytt **knivbladets drivfjær (2)** til det **midterste hullet (4)**. Dette vil stramme drivreimen til gressklipperen.
6. Kople til kabelen til tennpluggen. Klipp et lite område og undersøk kvaliteten igjen. Flytt eventuelt **knivbladets drivfjær (2)** til det **nedste hullet (5)**.
7. Undersøk klippekvaliteten igjen. Dersom kvaliteten fortsatt ikke er forbedret, bør drivreimen skiftes ut. Du finner mer informasjon om dette under "Utskifting av drivreim". Dersom en ny drivreim ikke forbedrer klippekvaliteten, bør du levere inn enheten til et godkjent serviceverksted.
8. Flytt knivroteringskontrollen til **DI-SENGAGE (utkople)**. Slå av motoren.
9. (Figur 10) Kontroller hvordan knivbremsen fungerer. Drei trinsene med hendene. Forsikre deg om at **bremseklossene (1)** trykkes godt inn mot trinsene.



ADVARSEL: Dersom **bremseklossene (1)** ikke trykkes godt inntil **trinsene**, må enheten leveres inn til et godkjent serviceverksted.

10. (Figur 8) Flytt knivroteringskontrollen til **EN-GAGE (i inngrep) (2)**.
11. (Figur 10) Undersøk **klossene på knivbremsen (7)**. Dersom **klossene** er svært slitt eller skadd, bør de erstattes. Riktige reservedeler og hjelp kan fås hos et godkjent serviceverksted.
12. Kople til kabelen til tennpluggen. Klipp et lite område og undersøk hvordan knivroteringskontrollen fungerer.

13. Når du flytter knivroteringskontrollen til **DI-SENGAGE (utkople)**, vil all bevegelse stanse i løpet av 5 sekunder. Dersom drivreimen eller knivbladene fortsetter å svive, koples knivroteringskontrollen inn og ut fem ganger for å fjerne ekstra gummi fra den nye drivreimen. Lever enheten inn til et godkjent serviceverksted hvis du trenger hjelp.
14. (Figur 9) Dersom du skifter ut drivreimen i gressklipperen, flytter du **bladets drivfjær (2)** tilbake til det **øverste hullet (3)**.

Kontroll og justering av drivreim for framdrift (figur 18 og figur 21)

Dersom motorens drivreim sitter løst, vil den slure når maskinen kjører oppover en skråning eller drar en tyngre last. Det er også mulig at maskinen ikke vil røre seg i det hele tatt.

VIKTIG: Kjør alltid enheten med motorens turtall i stillingen FAST (hurtig). Hvis motorens turtall står i langsom eller moderat stilling, kan motoren og kraftoverføringen bli for varme og forårsake problemer som ligner på dem forårsaket av en løs drivreim.



ADVARSEL: Kople fra kabelen til tennpluggen før du undersøker, justerer eller reparerer enheten.

Kabelen frakoples for å unngå at motoren starter ved et uhell.

1. (Figur 21) Kontroller **drivreimens retning (6)**. Undersøk at **drivreimen (6)** er riktig monteret og innenfor alle **reimlederne (7)**.
2. (Figur 18) Koble **clutch-lenken (1)** fra **lederarmen (2)**.
3. (Figur 21) Sammenstill hullet i **bremsespaken (3)** med hullet i rammen. Hold **bremsespaken (3)** på plass med en **1/4 tommer (6 mm) stift eller bolt (4)**.
4. ((Figur 18) Roter **clutch-lenken (1)** inntil **monteringshullet (5)** i **clutch-lenken (1)** er sammenstilt med **monteringshullet (5)** i **tomgangsarmen (2)**.
5. Koble **clutch-lenken (1)** til **tomgangsarmen (2)**.
6. (Figur 21) Fjern **1/4 tommer (6 mm) stiften eller bolten (4)**.
7. Dersom clutchen og beltet fortsatt slurer etter at drivreimen er blitt justert, er drivreimen slitt eller skadd, og bør skiftes ut. Du finner mer informasjon om hvordan dette gjøres, under "Utskifting av motorens drivreim".

Kontroll og justering av drivmekanismens brems (figur 12 og 20)

(Figur 20) Sett på parkeringsbremsen. Flytt den **automatiske frikoplingen (1)** til **posisjon SKYV (3)**. Skyv enheten forover. Dersom bakhjulene går rundt, må **bremseklossene** justeres eller skiftes ut.

Juster **drivbremsen (4)** på følgende måte:

1. (Figur 12) **Drivmekanismens brems (4)** sitter på høyre side av **girboksen (5)**.
2. (Figur 20) Påse at parkeringsbremsen er innkople og at den **automatiske frikoplingen (1)** er i **posisjon SKYV (3)**.
3. (Figur 12) Vri **sekskantmutteren (6)** mot høyre til bakhjulene ikke lenger går rundt når enheten skyves forover.

- Kople ut parkeringsbremsen og skyv enheten. Dersom enheten ikke beveger seg, vris **sekskantmutteren (6)** mot venstre til enheten beveger seg.
- Sett på parkeringsbremsen. Skyv enheten. Dersom bakhjulene ikke beveger seg, har du justert **drivmekanismens brems (4)** på riktig måte. Kople ut parkeringsbremsen.



ADVARSEL: Dersom du ikke kan justere bremsen på riktig måte, bør du skifte ut bremseklossene. Riktige reservedeler og hjelp kan fås ved et godkjent serviceverksted.

Fjerning av batteri (figur 4)

Når batteriet (1) skal lades opp eller rengjøres, tar du batteriet (1) ut av maskinen slik som angitt nedenfor.



ADVARSEL: Unngå gnister ved å kople den svarte batterikabelen (8) fra den negative (-) polen før den røde kabelen koples fra den positive (+) polen.



ADVARSEL: Batteriet inneholder svovelsyre, som er skadelig for hud, øyne og klær. Skyll med vann hvis du får syre på kroppen eller klærne.

- Kople den **svarte kabelen (8)** fra den negative (-) polen.
- Kople den **røde kabelen (5)** fra den positive (+) polen.
- Løft **batteribrettet (3)** og **batteriet (1)** ut av enheten.

Opplading av batteri (figur 4)



ADVARSEL: Røyking skal ikke forekomme under opplading av batteriet. Hold batteriet borte fra gnister. Dunsten fra batterisyreren er eksplosjonsfarlig.

- Ta **batteriet (1)** ut av enheten før du lader det opp.
- Bruk en 12 volts batterilader for å lade opp **batteriet (1)**. Lad opp med en hastighet på 6 ampere per time.
- Monter **batteriet (1)**.



ADVARSEL: Unngå gnister ved å feste den røde kabelen til den positive (+) polen før du fester den svarte kabelen.

- Fest den **røde kabelen (5)** til den positive (+) polen (4) med festeanordninger, slik som vist.
- Fest den **svarte kabelen (8)** til den negative (-) polen med festeanordninger, slik som vist.

Justering av støttehjulene

Akselboltene til støttehjulene er fabrikkmontert i den laveste klippehøyden (LOW). For å endre støttehjulenes innstilling, flytter du akselboltene på følgende måte.

F-050744L

VIKTIG: Før du justerer støttehjulene, må du gjøre følgende: påse at gressklipperhuset er plant. Påse at klippehøyden er satt til ønsket posisjon. Klipp et lite område på et flatt og jevnt sted og inspiser området som er klippet. Hvis klippingen ikke er jevn, se instruksjoner under "Planering av gressklipperhuset".



ADVARSEL: Husk å kople fra ledningen til tennpluggen før du begynner å inspiser, justere eller reparere enheten. Fjern tennpluggen slik at motoren ikke kan starte utilsiktet.

- (Figur 22, illustrasjon "I") Fjern støttehjulene (12) og akselboltene (11).
- (Figur 13) Klipp en kort avstand på et flatt og jevnt område for å sjekke at klippingen er jevn og at klippehøyden er riktig innstilt. Sjekk hvilken posisjon klippehøyden er innstilt på (3) på løftespaken (1).
- (Figur 22, illustrasjon "I") Sjekk hver enkelt støttehjulsbrakett (13). Det er 3 hull på hver brakett, og hvert hull er nummerert. Tallet som viser klippehøyden på løftespaken tilsvarer hullet som skal brukes på hver støttehjulsbrakett (13).
MERK: Hullet merket 1 på hjulbraketten tilsvarer løftespakens posisjon 1. Hullet merket 2 på hjulbraketten tilsvarer løftespakens posisjon 2. Hullet merket 3 på hjulbraketten tilsvarer løftespakens posisjoner 3,4,5 og 6.
- Fest **akselboltene (11)** til det riktige hullet i støttehjulsbrakettene (13).

MERK: Hvis du endrer klippehøyden med løftespaken, må du også flytte støttehjulene til riktig hull for å sikre en jevn klippehøyde.

Planering av gressklipperhuset (figur 13 og figur 14)

Knivbladet vil klippe bedre og plenen vil ta seg bedre ut når gressklipperhuset er planert.



ADVARSEL: Husk alltid å kople fra ledningen til tennpluggen før du inspiserer, justerer eller reparerer enheten. Kabelen frakoples for å unngå at motoren starter ved et uhell.

- Sørg for at enheten står på et hardt og flatt underlag.
- Undersøk lufttrykket i dekkene. Dersom lufttrykket ikke er riktig, klipper ikke gressklipperhuset jevnt. Riktig lufttrykk er: forhjul - 0,97 BAR (14 PSI) og bakhjul - 0,69 BAR (10 PSI).
- Hvis enheten er utstyrt med støttehjul, skal disse fjernes.
- (Figur 13) Flytt løftestangen (1) til nivåjusteringsposisjonen (2).



ADVARSEL: Løftestangen (1) er fjærbelastet. Sørg for at løftestangen (1) er låst i nivåjusteringsposisjonen (2).

- (Figur 14) Skru løs venstre og høyre justeringsbryter (1). Trykk ned på begge sider av gressklipperhuset. Pass på at begge sider av gressklipperhuset settes ned på et flatt underlag. Kontroller også at alle løftelenker (2) er løse og kan lett beveges opp eller ned.

- Trykk ned på løftelenkene (2) og skru til venstre og høyre justeringsbryter (1). Om nødvendig, brukes en skrunøkkel til å stramme justeringsbryterne (1).
- (Figur 13) Løft løftestangen (1) fra nivåjusteringsposisjonen (2) til en klippehøydeposisjon.
- Hvis enheten er utstyrt med støttehjul, skal disse settes på plass igjen.
- Klipp et lite område. Hvis klippehøyden ikke er jevn, må du gjenta punktene ovenfor.

Nødvendig smøring (figur 15)



Modeller med smøreneipler bør smøres med smørepistol. Tilfør fett med børste i de angitte områdene. Smør de angitte områdene med motorolje.

NB: Tilfør fett til styremekanismen.

FORSIKTIG: Dersom enheten betjenes i et tørt område med mye sand, bør du bruke en tørrgrafittsprøyte til å smøre enheten med.

Undersøk dekkene

Undersøk lufttrykket i dekkene. Kjøreturen blir ujevn og humpete dersom det er for mye luft i dekkene. Feil lufttrykk fører også til at gressklipperhuset klipper ujevnt. Riktig lufttrykk er: forhjul - 0,97 BAR (14 PSI) og bakhjul - 0,69 BAR (10 PSI).

Utskifting av drivreim for framdrift

- Ta av gressklipperhuset (se under "Fjerning av gressklipperhus").
- (Figur 16) Fjern den **midterste lederrullen (4)**.
- Kople fra **lederfjæren (7)**.
- Fjern **lederrullen (8)** og **mellomstykket (9)**.
- Fjern **V-lederrullen (5)** og **mellomstykket (13)**.
- Fjern **drivreimen (1)** fra **drivhjulet (6)**.
- (Figur 17) For å fjerne **drivreimen (1)** fra **samlingstrinsen (2)**, trekk den forreste enden av drivreimen under **samlingstrinsen (2)** og deretter tilbake mellom trinsen og **styreplaten (3)**.
- (Figur 11) Fjern **adgangspanelet (10)**.
- Ta ut de to **skruene (11)** som holder **rattstammesamlingen (12)** sammen. Løft rattet og **rattstammesamlingen (12)**. Trekk **drivreimen (1)** under **rattstammesamlingen (12)**.
- Fjern **drivreimen (1)**. Riktige reservedeler og eventuell hjelp kan fås fra et autorisert servicecenter i ditt område.
- Drivreimen settes inn ved å følge punktene ovenfor i motsatt rekkefølge.
- (Figur 16) Kontroller retningen til **drivreimen (1)**. Sørg for at drivreimen er riktig montert på lederrullene.
- Før enheten tas i bruk skal clutchen kontrolleres. Se instruksjonene under "Kontroll og justering av clutchen".

14. Sett på klipperhuset. Se instruksjonene under "Montering av gressklipperhuset".

Utskifting av gressklipperens drivreim (figur 10)

1. Ta av gressklipperhuset (se under "Fjerning av gressklipperhuset").
2. Dra **reimholderen (1)** bort fra **lederullen (2)**, og ta ut **gressklipperens drivreim (3)**.
3. Dra **reimholderen (4)** bort fra **akselens høyre spindeltrinse (5)**, og ta ut gressklipperens drivreim (3).
4. Dra **reimholderen (4)** bort fra **akselens venstre spindeltrinse (5)**, og ta ut gressklipperens drivreim (3). Riktige reservedeler og eventuell hjelp kan fås ved nærmeste godkjente serviceverksted.
5. Gressklipperens drivreim settes inn ved å følge punktene ovenfor i motsatt rekkefølge.

Fjerning av gressklipperhus (figur 22)

1. Flytt **knivrotteringskontrollen (1)** til DISEN-GAGE (utkoplet).
2. Flytt **løftestangen (2)** til stillingen for nivåjustering.



Løftestangen er fjæret. Kontroller at løftestangen er låst i posisjon NIVÅJUSTERING.

3. Fjern hårnålene og underlagsskivene fra **justeringsarmene (3)** (se illustrasjon "C" og "D").
4. Fjern hårnålene og underlagsskivene fra **opphengskoplingene (4)** (se illustrasjon "A" og "B").

5. Kople **strekkfjæren (5)** fra **knivkontrollstangen (6)** (se illustrasjon "E").
6. Kople **fronthengeren (9)** fra akselstøtten (se illustrasjon "F").
7. Fjern **gressklipperens drivreim (7)** fra **samlings trinsen (8)**.
8. Trekk gressklipperhuset bort fra den høyre siden av enheten.
9. Gressklipperhuset settes tilbake på plass ved å følge punktene ovenfor i motsatt rekkefølge.

Skifting av sikring

Hvis sikringen har gått, vil ikke motoren starte. Ta ut sikringen og sett inn en ny bilsikring på 15 ampere.

Oppbevaring (i mer enn 30 dager)

Ved utgangen av hvert år bør klargjøres for oppbevaring på følgende måte:

1. Tøm ut bensin fra forgasseren og bensintanken. Skift motorolje. Du finner mer informasjon om dette i anvisningene fra fabrikanten.
2. Rengjør hele enheten.
3. Lad opp batteriet.

Bestilling av reservedeler

Reservedelene er enten listet bakerst i denne håndboken eller i en egen reservedelshåndbok.

Bruk kun reservedeler som er autorisert eller godkjent av produsenten. Bokstaven som står etter delenummeret angir delens finish: C for

krom, Z for zink og PA for innkjøpt enhet. Det er viktig at du oppgir dette ved bestilling av deler. Ikke bruk tilbehør som ikke er spesifikt anbefalt brukt med dette produktet. Husk å oppgi gressklipperens modellnummer ved bestilling av reservedeler (se navnskilt).

Reservedeler, med unntak av motor, girkasse, transaksel eller differensial, kan fås hos forhandleren som solgte maskinen eller på et serviceverksted anbefalt av forhandleren.

Hvis du av en eller annen grunn ikke kan få tak i reservedeler eller service på ovennevnte måte, ta kontakt med:

HAYTER LIMITED,
Service Department,
Spellbrook,
Bishop's Stortford,
Hertfordshire. CM23 4BU.

MURRAY, INC.

International Sales
P.O. Box 268
Brentwood, Tennessee USA 37024
1-800-251-8007
Fax (615) 373-6633 Noteringsoverføring vil ikke bli akseptert.

Reservedeler for motor, transaksel eller girkasse kan fås hos produsentens autoriserte serviceverksted (se de Gule Sider). Se også de spesifikke garantiene for motor eller girkasse ved bestilling av reservedeler.

Vennligst oppgi følgende opplysninger ved bestilling av reservedeler:

- (1) Modellnummer
- (2) Serienummer
- (3) Delenummer
- (4) Antall

FEILSØKINGSOVERSIKT

PROBLEM: Motoren starter ikke

1. Følg punktene under "Oppstart av motor" i denne håndboken.
2. Modeller med elektrisk start: Rengjør batteripolene. Pass på at kablene sitter godt.
3. Se etter om en kabel sitter løst. Stram grensebryterne (se koplingsskjemaet).
4. Tøm bensintanken. Rens drivstoffledningen. Skift drivstoffilter.
5. Fjern tennpluggen(e). Sett gasshåndtaket i stillingen SLOW (sakte). Vri tenningsnøkkelen til PÅ. Prøv å starte motoren flere ganger. Kople til tennpluggen(e) igjen.
6. Skift tennpluggen.
7. Juster forgasseren.

PROBLEM: Motoren drar ikke rundt.

1. Følg punktene under "Oppstart av motor" i denne håndboken.
2. Modeller med elektrisk start: Lad opp batteriet.
3. Skift sikringen.
4. Se etter skader eller en løs forbindelse i det elektriske opplegget. Reparer ødelagte kabler.
5. Modeller med elektrisk start: Skift solenoiden. Modeller med rekylstart: Skift modulen.

PROBLEM: Motoren er vanskelig å starte.

1. Juster forgasseren.
2. Skift tennpluggen(e).
3. Skift drivstoffilteret.

PROBLEM: Motoren går ikke jevnt, eller mister drivkraften.

1. Kontroller oljen.
2. Rens luftfilteret.
3. Rens luftskjermen.
4. Skift tennpluggen(e).
5. Motoren jobber altfor hardt. Bruk i stedet et lavere gir.
6. Juster forgasseren.
7. Skift drivstoffilteret.

PROBLEM: Motoren går ikke jevnt ved høyere hastighet.

1. Skift tennpluggen(e).

2. Juster strupereguleringen.
3. Rens luftfilteret.
4. Skift drivstoffilteret.

PROBLEM: Motoren stopper når knivene koples inn.

1. Se etter at det elektriske opplegget ikke er skadet eller har en løs forbindelse. Reparer ødelagte kabler.
2. Gressposen må være installert (dette gjelder kun for modeller med en gressoppfangingspose bak).

PROBLEM: Motoren stanser i skråninger.

1. Husk alltid å klippe opp og ned av en skråning, og aldri på langs.

PROBLEM: Motoren vil ikke gå på tomgang.

1. Skift tennpluggen(e).
2. Rens luftfilteret.
3. Juster forgasseren.
4. Juster strupereguleringen.
5. Tøm bensintanken. Rens drivstoffledningen. Skift eventuelt drivstoffilteret.

PROBLEM: Motoren mister drivkraft når den blir varm.

1. Rens luftskjermen.
2. Kontroller oljen.
3. Juster forgasseren.
4. Skift drivstoffilteret.

PROBLEM: Motoren vibrerer overdrevent mye.

1. Skift kniven.
2. Se etter løse motorbolter.
3. Reduser lufttrykket i dekkene.
4. Juster forgasseren.
5. Kontroller at ikke reimen eller trinsen er ødelagt. Skift eventuelt ut ødelagte deler.

PROBLEM: Avklipt gress kastes ikke ut på riktig måte.

1. Slå av motoren. Rengjør gressklipperhuset.
2. Øk klippehøyden.

3. Skift eller kvess kniven(e).
4. Flytt girspaken til en lavere hastighet.
5. Flytt gasshåndtaket til FAST (hurtig).
6. Skift tomgangsfjæren for kniven.
7. Rengjør forlengerslangen og koplings-slangen (dette gjelder kun for modeller med en gressoppfangingspose bak).

PROBLEM: Gressklipperhuset klipper ikke jevnt.

1. Undersøk lufttrykket i dekkene.
2. Juster nivået til gressklipperhuset.
3. Undersøk forakselen. Dersom akselen ikke svinger uhindret, løsner du akselbolten(e).

PROBLEM: Knivene i gressklipperen går ikke rundt.

1. Kontroller drivreimen i gressklipperen. Pass på at den er riktig installert.
2. Skift drivreimen i gressklipperen.

PROBLEM: Enheten beveger seg ikke når bremsen slippes og gasspedalen trås ned.

1. Undersøk drivreimen. Pass på at den er riktig installert.
2. Juster clutchen.
3. Skift drivreimen.
4. Hev den automatiske utkoplere under setet.

PROBLEM: Enheten går saktere eller stanser helt når gasspedalen trås ned.

1. Juster clutchen.
2. Skift drivreimen.

PROBLEM: Når bremsepedalen slippes opp, kan du høre drivreimen.

1. Midlertidige lyder fra drivreimen har ingen innvirkning på enhetens yteevne. Dersom lydene fortsetter, du kontrollere monteringen av drivreimen. Pass på at reimen sitter innenfor alle reimlederne.
2. Hvis lyden er konstant, bør clutchen justeres.

PROBLEM: Bakhjulene spinner på ujevnt underlag.

1. Undersøk forakselen. Hvis akselen ikke svinger uhindret, må du løsne akselbolten(e).

INNEHÅLL

INTERNATIONELLA SYMBOLER	71
INFORMATION TILL ÄGAREN	72
RUTINER FÖR SÄKER DRIFT	72
MONTERING	73
DRIFT	74
UNDERHÅLL	75
FELSÖKNINGSSCHEMA	79

MURRAY, INC.

TVÅ ÅRS BEGRÄNSAD GARANTI

Murray, Inc. garanterar den ursprungliga köparen att enheten är fri från fel i material och utförande i två (2) år räknat från inköpsdagen, vid normal drift och normalt underhåll. Garantin gäller dock inte motorer, tillbehör (som snöslungor, snöblad, gräsupsamlare och plogar), transmission, batterier och förslitningsdelar (med de undantag som ges nedan) eller axlar eftersom de företag som tillverkar dessa delar har egna garantier och tillhandahåller service genom egna auktoriserade serviceverkstäder. Se garantierna för dessa delar för mer information. Om du är osäker på om din enhet inbegriper eller är utrustad med någon av dessa delar kan du fråga din leverantör vid köpet. Med reservation för de villkor som angetts i denna begränsade garanti, skall vi utan kostnad för den ursprungliga köparen reparera eller byta ut varje del som täcks av den begränsade garantin under den tillämpliga garantiperioden. Om batteriet befines vara defekt inom nittio

(90) dagar från inköpsdatumet, ersätter vi det utan kostnad. Om batteriet befines vara defekt efter nittio (90) dagar men inom etthundraåtjugoto (120) dagar från inköpsdatumet ersätter vi det till en kostnad av halva (1/2) det försäljningspris som gäller för batteriet vid tidpunkten för återlämnandet.

Förslitningsdelar definieras som remmar, knivar, knivmellanstycken, gummidäck, strålkastare och överdragsklädsel till säten. Dessa delar garanteras vara fria från material- och fabriktionsfel vid leveransen av produkten.

Anspråk på reparation eller byte av förslitningsdelar måste ske inom trettio (30) dagar från inköpsdatumet. Anspråk som gäller skador på grund av användning, felaktig användning eller misshandel av materialet accepteras inte.

Denna två (2) års begränsade garanti från Murray, Inc. är din exklusiva hjälp, men garantin gäller inte för enheter som blivit manipulerade, ändrade, felaktigt använda, misshandlade eller använts för uthyrning eller i kommersiellt och/eller yrkesmässigt (icke privat) bruk.

Garantin täcker inte mindre mekaniska justeringar som inte beror på fel i materialet eller utförandet. För hjälp med sådana justeringar hänvisas till instruktionsboken.

Vid anspråk på garantiåtgärder enligt denna två (2) års begränsade garanti från Murray Inc. lämnas enheten (eller den defekta delen om så godkännts på förhand) till en auktoriserad serviceverkstad i din närhet. För att hitta närmaste auktoriserade serviceverkstad i ditt område, kan du ringa till den centrala

reservdelsleverantör i ditt område, enligt listan som följer med enheten, eller titta i de gula sidorna i din telefonkatalog. Om du lämnar in enheten reparerar vi den. Om vi godkänt att bara en enskild del lämnas in byter vi antingen ut delen eller reparerar den. I händelse av en defekt i transmissionen eller differentialen (till skillnad från en axel) måste hela transmissionen eller differentialen lämnas in eftersom de inte innehåller några delar som användaren själv kan utföra service på.

Denna två (2) års begränsade garanti från Murray Inc. ger dig specificerade legala rättigheter. Du kan även ha andra rättigheter beroende på lagstiftningen i ditt land. Denna begränsade garanti ges i stället för alla andra uttryckliga och underförstådda garantier, inbegripet den underförstådda garantin om köpbarhet och garantin om lämpligheten för användning i ett visst syfte. Om du vill ha mer information om denna skrivna garanti eller hjälp med att få service kan du skriva till:

HAYTER LIMITED,
Service Department,
Spellbrook,
Bishop's Stortford,
Hertfordshire. CM23 4BU.

MURRAY, INC.
International Sales
P.O. Box 268
Brentwood, Tennessee USA 37024
1-800-251-8007
Fax (615) 373-6633

INTERNATIONELLA SYMBOLER

VIKTIGT: Följande symboler finns utsatta på din enhet eller i det textmaterial som följer med produkten. Lär dig vad de olika symbolerna betyder innan du använder enheten.

OBSERVERA: Illustrationer och symboler börjar på sidan 2.


Säkerhets- och varningssymboler (figur 23)

- 1 Varning
- 2 VIKTIGT: Läs bruksanvisningen innan du använder denna maskin.
- 3 VARNING: Föremål som skjuts iväg. Håll kringstående på avstånd. Läs bruksanvisningen innan du använder denna maskin.
- 4 VARNING: Använd inte denna maskin i mer än 10 graders lutning.

- 5 FARA: Håll andra personer, särskilt barn, borta från enheten.
- 6 FARA: Ej steg.
- 7 FARA: Håll händer och fötter borta från den roterande kniven.
- 8 Deklarerade värden för luftburen ljudtrycksnivå på 100 dB(A) lva överensstämmer med direktiv 2000/14/EG.
- 9 FARA: Koppla bort tändstiftet innan du servar enheten.
- 10 VARNING: Het yta.
- 11 VARNING: Lakttag försiktighet när du kopplar på eller ifrån tillbehör.
- 12 VARNING: Krossade fingrar.
- 13 VIKTIGT: Följ instruktionerna i ägarhandboken för att nivåanpassa klippkåpan.
- 14 VARNING: Se till att inte vara i närheten av klipparbladet när motorn är igång.

Symboler för reglage och drift (figur 24)

- 1 Starta motorn
- 2 Strålkastare
- 3 Motorn går
- 4 Stanna motorn
- 5 Motorn går
- 6 Broms
- 7 Parkeringsbroms
- 8 Koppling
- 9 Sakta
- 10 Snabbt
- 11 Choke
- 12 Olja
- 13 Knivreglage
- 14 Hög
- 15 Bränsle



MODEL NO.: 425607x52A **CE**

SKU No.:

YYYY MM DD: _____

SERIAL NO.:

2750 min-1

196 kg

Assembled in Lawrenceburg, TN 38464, U.S.A.

Deklarerade värden för vibrationsöverföring överensstämmer med direktiv 98/37/EG.

Vibrationsöverföring överensstämmer med BS EN 1032:

Säte < 0.5 m/s², Höger fotstöd 1.05 m/s², Vänster fotstöd 1.69 m/s²

Vibrationsöverföring överensstämmer med BS EN 1033: Ratt 0.95 m/s²

Värdena är uppmätta med användaren i körposition och maskinen stillastående på en betongyta vid 2750 min-1.

Deklarerade värden för luftburen ljudtrycksnivå på 100 dB(A) lva överensstämmer med direktiv 2000/14/EG.

Ljudtrycksnivå i körposition 83 dB.

Värdena är uppmätta vid användarens öron i enlighet med specifikationerna i EN 836/A2:2001.

INFORMATION TILL ÄGAREN

Lär känna din gräsklippartraktor: Om du vet hur den fungerar, kan du använda den på ett effektivare sätt. Jämför illustrationerna och traktorn medan du läser handboken. Lär dig var de olika reglagen är placerade och vilken funktion de har. Följ driftsinstruktionerna och säkerhetsföreskrifterna så att du undviker olyckor. Behåll användarhandboken för framtida bruk.



WARNING: Leta efter denna symbol som visar att viktiga försiktighetsåtgärder skall vidtas. Symbolen betyder: Se upp! Var uppmärksam! Din säkerhet är i fara.

Ägarens ansvar



WARNING: Denna gräsklippare är kapabel att klippa av händer eller fötter och slå iväg föremål med stor kraft. Om nedanstående säkerhetsinstruktioner inte beaktas kan det få till följd att användaren eller kringstående personer skadas svårt eller dödas.

Det ligger på ägarens ansvar att följa nedanstående instruktioner.

RUTINER FÖR SÄKER DRIFT

För åkgräsklippare

Övning

- Läs instruktionerna noga. Se till att du vet hur reglagen fungerar och hur man använder utrustningen på rätt sätt.
- Låt aldrig barn som inte har lärt sig instruktionerna använda klipparen. Lokala bestämmelser kan reglera hur gammal användaren måste vara.
- Klipp aldrig om det finns barn eller husdjur i närheten.
- Tänk på att användaren är ansvarig för de skador och faror som andra personer och deras egendom utsätts för.
- Ta aldrig med passagerare på traktorn.
- Alla förare bör se till att få professionella och praktiska instruktioner. Instruktionerna bör lägga vikt vid följande punkter:
 - Det är viktigt att den som använder traktorn är aktsam och uppmärksam.
 - Det går inte att återfå kontrollen över en traktor som glider utför en backe genom att bromsa. De huvudsakliga orsakerna till att man mister kontrollen är:
 - otillräckligt fäste för däcken,
 - för hög fart,
 - felaktig eller otillräcklig bromsning,
 - att maskintypen inte är lämplig för arbetsuppgiften,
 - att föraren inte är medveten om hur markförhållandena, särskilt lutningen, påverkar körningen,
 - felaktig fastkoppling och lastfördelning.

Förberedelser

- Ta alltid på dig ordentlig fotbeklädning och långbyxor när du skall klippa. Använd inte traktorn om du har sandaler på dig eller är

barfota.

- Kontrollera hela den yta som du skall klippa och ta bort alla föremål som kan skjutas iväg av klipparen.
- WARNING - Bensin är mycket lättantändligt.**
 - Förvara bensen i dunkar som är speciellt avsedda för ändamålet.
 - Tanka endast utomhus. Rök inte medan du tankar.
 - Tanka innan du startar motorn. Ta inte av locket till bensintanken eller tanka medan motorn går eller då motorn är varm.
 - Starta inte motorn om du spillt bensen. Flytta först bort maskinen från det område där du spillt. Undvik att göra något som kan få bensen att antändas. Vänta tills bensenångorna har upplösts.
 - Sätt på locken till bensintanken och bensindunken ordentligt.
- Byt ut defekta ljuddämpare.
- Se alltid efter att knivarna, knivmuttern och klippaggregatet inte är slitna eller skadade innan du använder klipparen. Byt ut slitna och skadade knivar och muttrar tillsammans, som en enhet, så att balansen bibehålls.
- På maskiner med flera knivar måste du tänka på att om man roterar en kniv, kan en annan kniv börja rotera.

Drift

- Använd inte klipparen i trånga utrymmen där det kan samlas farlig koloxid.
- Klipp endast i dagsljus eller i tillfredsställande belysning.
- Lägg kopplingen i friläge och koppla bort kniven innan du startar motorn.
- Använd inte maskinen där lutningen är brantare än 10 grader.
- Kom ihåg att det inte finns något sådant som en säker slänt. Att köra på grässlånter kräver särskild omsorg. För att inte välta bör du tänka på följande:
 - Stanna eller starta inte hastigt när du kör i uppförs- eller nerförsbacke.
 - Släpp kopplingen långsamt. Låt alltid maskinen ligga i växel, särskilt när du kör i nerförsbacke.
 - Håll låg hastighet i backe och vid tvära svängar.
 - Var uppmärksam på gupp, håll och andra dolda riskfaktorer.
 - Klipp inte tvärs över slänten såvida inte klipparen är konstruerad för att klara det.
- Var försiktig när du drar last eller använder tung utrustning.
 - Använd endast de godkända fästena för dragstången.
 - Ha inte större last än du kan kontrollera på ett säkert sätt.
 - Gör inte tvära svängar. Var försiktig när du backar.
 - Använd motvikter eller hjulvikter i de fall instruktionsboken anbefaller det.
- Var uppmärksam på trafiken när du korsar eller kör intill vägar.
- Stoppa knivens rotation innan du kör över andra ytor än gräsmattor.
- När du använder tillbehör måste du se till att material inte kastas ut i riktning mot

kringstående. Låt inte kringstående komma i närheten av maskinen när den är i drift.

- Använd inte maskinen om dess skydd eller skärmar är defekta, eller om dess säkerhetsanordningar inte sitter på plats.
- Ändra inte motorregulatorns inställning. Rusa inte motorn. Om motorn används med för högt varvtal ökar det risken för personskador.
- Innan du lämnar förarsätet skall du:
 - koppla ur kraftuttaget och sänka ned tillbehören,
 - lägga växeln i neutralläge och dra åt parkeringsbromsen,
 - stanna motorn och ta ut nyckeln.
- Koppla ur tillbehörsdrevet, stanna motorn och koppla bort tändstiftskabeln (-kablarna) eller ta ut tändningsnyckeln
 - innan du tar bort blockeringar eller rensar spår,
 - innan du kontrollerar, rengör eller utför arbete på klipparen,
 - när du har slagit i främmande föremål. Kontrollera om klipparen är skadad. Reparera skadorna innan du startar och använder utrustningen igen,
 - om maskinen börjar vibrera onormalt mycket (kontrollera omedelbart).
- Koppla ur tillbehörsdrevet vid transport eller när det inte används.
- Stanna motorn och koppla bort tillbehörsdrevet
 - innan du tankar,
 - innan du tar av gräsupsamlaren,
 - innan du justerar höjden, om justeringen inte kan utföras från förarplatsen.
- Dra ner gasreglaget medan motorn kör slut på bensen och stäng av bränsletillförseln efter avslutad klippning om motorn är försedd med en avstängningsventil.
- Titta **bakåt och nedåt** efter små barn, innan och under tiden du backar.
- Var extra försiktig när du närmar dig hörn, buskar, träd och andra föremål som skymmer sikten.

Underhåll och förvaring

- Var försiktig med maskiner med flera knivar, eftersom de andra knivarna kan börja rotera om du roterar en av knivarna.
- Sänk klippaggregatet om maskinen skall parkeras, förvaras eller lämnas utan tillsyn, om ett mekaniskt lås inte används.
- Se till att alla muttrar, bultar och skruvar hålls ordentligt åtdragna så att utrustningen är i säkert arbetsskick.
- Förvara aldrig utrustningen med bensen i tanken på platser där bensenångorna kan komma i kontakt med gnistor eller öppna lågor.
- Låt maskinen svalna innan du förvarar den i trånga utrymmen.
- Håll motorn, ljuddämparen, batteriutrymmet och området för förvaring av bensen fria från gräs, löv och överflödigt smörjmedel så att risken för brand minskas.
- Kontrollera ofta att gräsupsamlaren inte är sliten eller söndrig.
- Byt ut slitna eller skadade delar av säkerhetsskål.
- Om bränsletanken måste tömmas, skall tömningen ske utomhus.

MONTERING

Alla fästanordningar ligger i påsen med delar. Släng inte några delar eller något material innan enheten är monterad.



WARNING: Koppla bort tändstiftskabeln från tändstiftet innan du utför något monterings- eller underhållsarbete på gräsklipparen.

OBSERVERA: I den här handboken beskrivs delarnas placering med hjälp av höger och vänster sett ur förarens synvinkel (sittande i förarsätet).

OBSERVERA: Illustrationer och symboler börjar på sidan 2.

OBSERVERA: När du monterar följande lösa delar, använd du de fästanordningar som visas i naturlig storlek i figur 25.

Hur man monterar framhjulen (figur 1)

Skär upp behållarens fyra sidor med hjälp av en kniv. Montera framhjulen (1) i behållaren.

OBSERVERA: Använd en träbit som är ungefär 1,25 meter lång för att lyfta traktorns front. Om du inte hittar någon träbit, bör du ta hjälp av ytterligare en person. Lyft traktor försiktigt. Den får inte falla till marken.

1. Lyft upp traktorns front. Placera ett stöd (träblock) under traktorn.
2. Kontrollera att ventilspindeln (2) är mot traktorns utsida. För på framhjulet (1) på spindeln (3).
3. Fäst framhjulen (1) med en bricka (4) och en saxsprint (5). Böj isär saxsprintens ändar (5) så att framhjulet (1) hålls kvar på spindeln (3).
4. Lyft av traktor från stödet när framhjulen (1) är monterade. Rulla ut traktor ur behållaren.
5. Om din traktor är försedd med navkapslar (6), monterar du navkapslarna (6). Kontrollera att brickorna (4) håller navkapslarna (6) på plats.

Hur man sätter ihop klippkåpan (figur 22)

1. För knivreglaget (1) till DISENGAGE-läget.
2. För höjdreglaget (2) till läget för nivåjustering.



WARNING: Höjdreglaget är fjäderbelastat. Se till att höjdreglaget är låst i LÄGET FÖR NIVÅJUSTERING.

3. Fäst fronthållaren (9) i plattformen med fästanordningarna. Se illustration "H".
4. För klippkåpan in under högra sidan av enheten.
5. Sätt knivdrivremmen (7) runt remskivan (8). Se illustration "G".

VIKTIGT: Var säker på att "V" sidan av knivdrivremmen är mot remskivan. Se också till att knivdrivremmen inte är vriden.

6. Fäst fronthållaren (9) vid axelstaget. Se illustration "F".
7. Se till att knivdrivremmen (7) är mellan remskivan (8) och de två remförarna (10). Se illustration "G".

F-050744L

8. Fäst upphängningslänkarna (4) vid lyftmontaget. Fäst med hårnålarna och brickorna. Se illustrationerna "A" och "B".
9. Fäst den högra och vänstra justerarmen (3) vid upphängningsbrickorna. Fäst med hårnålarna och brickorna. Se illustrationerna "C" och "D".
10. Fäst dragfjädern (5) vid knivens reglersång (6). Se illustration "E".
11. Flytta knivreglaget till läget ENGAGE. Se till att knivdrivremmen är innanför remförarna.
12. Se till att klippkåpan är vågrätt. Se instruktionerna om "Hur man ställer in klippkågan vågrätt".
13. (figur NO TAG) Sätt fast givarhjulen (12) vid axelbulten (11) med fästanordningarna. Se illustration "I".
14. Kontrollera driften av knivreglaget. Se instruktionerna om "Hur man justerar Knivreglaget".

Hur man monterar sätet (figur 2)

1. Ta försiktigt bort plastpåsen från sätet (1).
2. Placera hålen i sätets gångjärn (2) i linje med hålen i sätet (1). Fäst sätet (1) vid sätets gångjärn (2) med fästanordningarna (4) och (5).
3. Kontrollera sätets (1) inställning. Om sätet (1) måste ställas om lossas de två vingbultarna (5). För sätet (1) framåt eller bakåt längs sätets inställningshål (3). Spänn vingbultarna (5).

Hur man monterar ratten (figur 3)

1. Kontrollera att framhjulen är riktade framåt.
2. Dra på höljets (3) på rattstången (2). Se till att höljets (3) fläns placeras där uppe.
3. För på ratten (1) på rattstången (2).
4. Montera ratten (1) på styrstången (2) med skruven (4) och brickan (6).
5. Vissa modeller har en valfri emblem (7) i påsen med delar. Klistra fast emblemet (7) på rattens mittdel (1).

Underhållsfritt batteri (figur 4)

VIKTIGT: Kontrollera batteridatumet innan du ansluter batterikablarna till batteriet. Batteridatumet visar om batteriet måste laddas.

1. Se batteriets (1) ovandel och sida för placeringen av datumet.
2. Om batteriet (1) tas i drift före datumet, kan batterikablarna anslutas utan att batteriet (1) behöver laddas. Se Hur man monterar batterikablarna.
3. Om batteriet (1) tas i drift efter datumet, måste batteriet (1) först laddas. Se Hur man laddar det underhållsfria batteriet.

Hur man laddar batteriet (figur 4)



WARNING: Rök inte medan du laddar batteriet. Se till att det inte förekommer gnistbildning i närheten av batteriet. Gaserna från batterisyrorna kan förorsaka en explosion.

1. Ta ut batteriet (1) och batterihållaren (3).
2. Ta bort skyddskåpan från batteriets anslutning.

3. Använd en 12 volts batteriladdare för att ladda batteriet (1). Ladda med 6 ampere i en timme. Lämna in batteriet för laddning vid en auktoriserad verkstad om du inte har någon batteriladdare.
4. Montera batteriet (1) och batterihållaren (3). Kontrollera att den positiva (+) anslutningen (4) hamnar på vänster sida.

Hur man monterar batterikablarna (figur 4)



WARNING: För att förhindra gnistbildning skall den röda kabeln fästas vid den positiva (+) anslutningen innan den svarta kabeln ansluts.

1. Avlägsna skyddskåpan från batteriets anslutning.
2. För på anslutningsskyddet (2) på den röda kabeln (5). Fäst den röda kabeln (5) vid den positiva (+) anslutningen (4) med hjälp av fästanordningarna (6) och (7).
3. Fäst den svarta kabeln (8) vid den negativa (-) anslutningen med hjälp av fästanordningarna (6) och (7).

Kontrollera däcken

Kontrollera lufttrycket i däcken. Om det är för högt blir gången skakig. Dessutom får ett felaktigt tryck till följd att klippaggregatet inte klipper vågrätt. Korrekt lufttryck för framhjul är 0,97 BAR (14 PSI) samt för bakhjul, 0,69 BAR (10 PSI). Före leverans pumpas däcken hårdare.

Kontrollera att klippkåpan ligger vågrätt.

Kontrollera att klippnivån fortfarande är korrekt. Klipp ett kort stycke och kontrollera sedan det klippta området. Om klippkåpan inte klipper vågrätt går du vidare till instruktionerna i Hur man ställer klippkåpan vågrätt! i underhållsavsnittet i den här handboken.

Hur man förbereder motorn

OBSERVERA: När motorn levererades från fabriken var den fylld med olja. Kontrollera oljenivån. Fyll på olja om det behövs.

Se efter i motortillverkarens instruktioner vilken typ av olja och bensen som skall användas. Läs informationen om säkerhet, drift, skötsel och innan du använder traktorn.



WARNING: Följ motortillverkarens instruktioner för vilken typ av bensen och olja som skall användas. Använd alltid en säkerhetsdunk till bensen. Rök inte medan du tankar. Tanka inte bensen i trånga utrymmen. Stanna motorn innan du tankar. Låt motorn kylas ned i flera minuter.

OBS: Verklig kontinuerlig effekt kommer sannolikt att vara lägre pga driftsbegränsningar och miljöfaktorer.

Viktigt! Innan du börjar klippa måste göra följande:

- Kontrollera motoroljan.
- Fylla bränsletanken med bensen.
- Kontrollera lufttrycket i däcken.
- Kontrollera att klippkåpan ligger vågrätt.
- Fästa batterikablarna.

DRIFT

OBSERVERA: Illustrationer och symboler börjar på sidan 2.

Reglagens placering (figur 5)

Knivreglaget (1): Använd knivreglaget för att starta och stanna kniven.

Bromspedal (2): Använd bromspedalen om du vill stanna snabbt.

Strömbrytare för stålkastare (3): Strömbrytaren för strålkastarna utgörs av tändningens första avsnitt. Vrid nyckeln till IJUSLÄGET för att tända strålkastarna när motorn går.

Tändning (3): Använd tändningen för att starta och stanna motorn.

Hastighetspedalen (4): Använd hastighetspedalen för att ändra hastighet och riktning på enheten.

Höjdregele (5): Använd höjdregelet för att reglera klipphöjden.

Parkeringsbroms (6): Parkeringsbromsen används för att slå till bromsen när du lämnar traktorn.

Gasreglage (7): Använd gasreglaget för att öka eller minska motorns varvtal.

Automatisk drevbortkoppling (8): Använd den automatiska drevbortkopplingen, placerad under stolen, till att koppla loss transmissionen.

Tillbehör

Denna traktor kan förses med många olika tillbehör. Traktorn kan dra tillbehör som sweepers, gräsmattluftare eller spridare. Traktorn kan inte dra jordbearbetningsredskap som plogar, tallriksharvar eller kultivatorer.

Maximivikten för transportvagnar och andra tillbehör som dras bakom traktorn är 113 kg.

Hur man använder gasreglaget (figur 5)

Använd **gasreglaget (7)** för att öka eller minska motorns varvtal.

1. FAST-läget är försett med en spärr. Vid normal drift och när man använder en gräsuppsamlare, förs gasreglaget till FAST-läget. För maximal laddning av batteriet och för en kallare motor under drift körs motorn i FAST-läget.
2. Motorns regulator ställs in på fabriken för bästa prestanda. Ändra inte regulatorn för att öka motorns varvtal.

Hur man använder knivreglaget (figur 5)

Använd **knivreglaget (1)** för att koppla in kniven (-arna).

1. Kontrollera att **knivreglaget (1)** står i DISENGAGE-läget innan du startar motorn.

2. För **knivreglaget (1)** till ENGAGE-läget så börjar kniven (-arna) att rotera.

OBSERVERA: Om motorn stannar när du kopplar in kniven (-arna) har kontakten i förarsätet inte blivit aktiverad. Kontrollera att du sitter mitt på sätet.

3. För **knivreglaget (1)** till DISENGAGE-läget så stannar kniven (-arna). Kontrollera att kniven (-arna) har slutat att rotera innan du lämnar förarsätet.

F-050744L

4. För **knivreglaget (1)** till DISENGAGE-läget innan du kör över trottoarer och vägar med traktorn.



VARNING: Håll fingrar och fötter borta från kniven, lufttriktaröppningen och klippkåpan när motorn är igång.

Hur man använder hastighetspedalen (figur 5)

Drivsystemet använder en hydrostatisk automatisk drev-transmission. Det är mycket lätt att köra den hydrostatiska transmissionen. Den här sortens drivsystem kräver inte någon växelspak eller kopplingspedal.

Både hastighet och körriktning styrs av en enda **hastighetspedal (4)** som du sköter med högerfoten. Använd inte den vänstra bromspedalen vid normal körning. Använd den vänstra bromspedalen endast om du vill stanna snabbt i en nödsituation.

Hur man kör framåt

1. **(Figur 20)** Den **automatiska drevbortkopplingen (1)** måste vara i **DRIFT-position (2)**.
2. Släpp långsamt upp din vänstra fot från bromspedalen.
3. Flytta gasreglaget till SNABB-position.
4. **(Figur 19)** Tryck långsamt på **hastighetspedalen (1) framåt (4)** till önskad fart.
5. För att öka farten framåt flyttar du långsamt **hastighetspedalen (1)** framåt. För att minska farten framåt släpper du **hastighetspedalen (1)** tills enheten saktar till önskad fart.

Hur man kör bakåt

1. Titta bakåt.
2. Tryck långsamt på **hastighetspedalen (1)** till **BACK-position (2)**.

Hur man ändrar körriktning

OBS: Använd inte den vänstra bromspedalen till att ändra körriktning. Använd endast **hastighetspedalen**.

1. Tag långsamt bort din fot från **hastighetspedalen (1)**. **Hastighetspedalen (1)** återvänder automatiskt till **NEUTRAL-position (3)**.
2. När enheten stannar flyttar du långsamt **hastighetspedalen (1)** till önskad riktning.

Hur man kopplar bort transmissionen (figur 20)

Om du vill putta enheten använder du **automatisk drevbortkoppling (1)** för att koppla loss transmissionen. Den **automatiska drevbortkopplingen (1)** finns under stolen.

1. Motorn måste vara av.
2. Lyft sitsen. Den **automatiska drevbortkopplingen (1)** finns under stolen.
3. Flytta och stäng den **automatiska drevbortkopplingen (1)** i läget **PUTTA (3)**. Transmissionen är nu **bortkopplad** och enheten kan puttas.

OBS: I kyligt väder kommer den tjocka oljan i transmissionen att göra det svårt att putta enheten.

4. För att koppla in transmissionen, lås upp den **automatiska drevbortkopplingen (1)**. Transmissionen är nu **inkopplad** och redo för körning.

Hur man använder parkeringsbromsen (figur 5)

1. Tryck **bromspedalen (2)** helt framåt.
2. Dra **parkeringsbromsen (6)** uppåt.
3. Ta bort foten från **bromspedalen (2)** och släpp **parkeringsbromsen (6)**. Kontrollera att bromsen kan hålla kvar traktorn.
4. För att lossa **parkeringsbromsen (6)** trycker du **bromspedalen (2)** helt framåt. Parkeringsbromsen släpper automatiskt.



VARNING: Innan du lämnar förarsätet drar du åt **parkeringsbromsen**, för **knivreglaget** till **DISENGAGE-läget**, stannar motorn och tar ut tändningsnyckeln.

Hur man ändrar klipphöjden (figur 5)

För att ändra klipphöjden höjer eller sänker du **höjdregelet (5)** enligt följande.

1. För **höjdregelet (5)** framåt för att sänka klippkåpan och bakåt för att höja den.
2. För **höjdregelet (5)** till det högsta läget och knivreglaget till DISENGAGE-läget när du kör på trottoarer eller vägar.

Hur man stannar traktorn (figur 5)

1. Tag långsamt bort din fot från **hastighetspedalen (4)**. Hastighetspedalen (1) återvänder automatiskt till **NEUTRAL-position** och enheten stannar.
2. För **knivreglaget (1)** till DISENGAGE-läget.
3. Dra åt **parkeringsbromsen (6)**.



VARNING: Kontrollera att **parkeringsbromsen** kan hålla kvar traktorn.

4. För **gasreglaget (7)** till SLOW-läget.
5. För att stanna motorn vrid du **tändningsnyckeln (3)** till OFF-läget. Ta ut nyckeln.

Hur man transporterar traktorn

Följ punkterna nedan när du skall transportera traktorn.

1. För knivreglaget till DISENGAGE-läget.
2. För höjdregelet till det högsta läget.
3. För gasreglaget till ett läge mellan SLOW och FAST.
4. För långsamt hastighetspedalen framåt tills du uppnår önskad fart..

Hur man använder klippaggregatet

VIKTIGT: När du använder klippaggregatet, skall **gasreglaget** alltid stå i **FAST-läget**.

1. Starta motorn.
2. För höjdregelet till högsta klippäge. Om gräset är högt eller tjockt klipper du först i det högsta läget och sänker sedan klippkåpan till en lägre position.
3. För gasreglaget till SLOW-läget.
4. För sakta knivreglaget till ENGAGE-läget.
5. För gasreglaget till FAST-läget.
6. Tryck långsamt på hastighetspedalen tills du uppnår önskad fart.

OBSERVERA: När du klipper i tjockt gräs eller med en uppsamlare ska du köra långsamt framåt.

7. Kontrollera att klipphöjden fortfarande är korrekt. Klipp ett kort stycke och kontrollera sedan det klippta området. Om klippkåpan inte

klipper vågrätt går du vidare till instruktionerna i Hur man ställer klippkåpan vågrätt i underhållsavsnittet.



WARNING: Välj en säker hastighet så kan du kontrollera traktorn bättre.

Körning i backe



WARNING: Kör inte upp eller ned för backar som är brantare än att du kan backa rakt uppför. Kör aldrig tvärs över en backe.

1. Kontrollera hastigheten endast med hastighetspedalen. Använd inte bromspedalen i en backe.
2. För att undvika en olycka rör du hastighetspedalen långsamt. Undvik plötsliga svängar eller hastighetsändringar.
3. För att minska hastigheten framåt när du kör nedför en backe släpper du långsamt upp hastighetspedalen tills enheten saktar till önskad fart.

Hur man stannar i en backe

1. Undvik att stanna i en backe. Om du måste stanna plötsligt i nödfall tar du bort högerfoten från hastighetspedalen och trycker snabbt på den vänstra bromspedalen.
2. Dra åt parkeringsbromsen.
3. Innan du stiger ned från sätet för du gasreglaget till läget SLOW, för kopplingen för knivreglaget till läget DISENGAGE, slå av motorn och dra åt parkeringsbromsen.

Hur man kör igång i en backe

1. Starta motorn.
2. För kopplingen för knivreglaget till läget ENGAGE.
3. För gasreglaget till läget FAST.
4. Tryck på bromspedalen och lossa parkeringsbromsen. När du lossar parkeringsbromsen, trycker du på hastighetspedalen tills du uppnår önskad fart.



Tryck långsamt på hastighetspedalen när du släpper bromspedalen. Parkeringsbromsen måste vara loss innan hastighetspedalen kan koppla in transmissionen.

Innan du startar motorn

Kontrollera oljan

OBSERVERA: När motorn levererades från fabriken var den fylld med olja. Kontrollera oljenivån. Fyll på olja om det behövs. Se efter i motortillverkarens instruktioner vilken typ av olja och bensin som skall användas.

1. Kontrollera att traktorn står vågrätt.
OBSERVERA: Kontrollera inte oljenivån när motorn går.
2. Kontrollera oljan. Följ motortillverkarens instruktioner.
3. Om det behövs, fyller du på olja tills oljenivån når upp till FULL-märket på oljestickan. Mängden olja som behövs för att höja nivån från ADD till FULL är står på oljestickan. Fyll inte på för mycket olja.

F-050744L

Fyll på bensin.



WARNING: Använd alltid en säkerhetsdunk till bensinen. Rök inte medan du tankar. Tanka inte i trånga utrymmen. Stanna motorn och låt den kylas ned i flera minuters tid innan du tankar.

(Figur 6) Fyll bränsletanken (1) till FULL-läget (2) med regular blyfri bensin. Använd inte premium blyfri bensin. Kontrollera att bensinen inte är smutsig eller för gammal. Blyad bensin ökar av-sättningsarna och förkortar ventilernas livslängd.

Hur man startar motorn



WARNING: I det elektriska systemet ingår ett system som med hjälp av en sensor i förarsätet kontrollerar att föraren sitter på plats. Systemet stannar motorn när föraren lämnar sätet. För din egen säkerhet är det viktigt att systemet alltid fungerar som det skall.

OBSERVERA: Motorn startar inte om du inte trampar ner kopplings-/bromspedalen och för knivreglaget till DISENGAGE-läget.

1. Tryck bromspedalen helt framåt. Håll kvar foten på pedalen.
2. Kontrollera att knivreglaget står i DISENGAGE-läget.
3. För gasreglaget helt framåt till CHOKE- eller FAST-läget. Vissa modeller har en särskild choke-knapp. Dra choke-knappen till läget för full CHOKE.
4. Vrid tändningsnyckeln till START-läget.
OBSERVERA: Om motorn inte startar efter fem försök för du gasreglaget till FAST-läget. Försök igen att starta motorn. Om motorn fortfarande inte startar går du vidare till FELSÖKNINGSSCHEMAT.
5. För gasreglaget långsamt till SLOW-läget.
6. Vid start av varm motor för du gasreglaget till ett läge mellan FAST och SLOW.

Klippnings- och uppsamlingstips

1. För ett bättre klippresultat är det viktigt att klippkåpan sitter vågrätt. Se Hur man ställer klippkåpan vågrätt i underhållsavsnittet.
2. Kontrollera att däcken har rätt lufttryck så att klippaggregatet klipper vågrätt.
3. Kontrollera kniven varje gång du skall klippa. Byt ut den omedelbart om den är böjd eller skadad. Kontrollera också att muttern som håller kniven sitter ordentligt.
4. Se till att kniven (-arna) är slipad. Om kniven är trubbig blir gräsändarna bruna.
5. Klipp inte när gräset är vått. Vått gräs sprids inte som det skall. Låt gräset torka innan du klipper.
6. Använd klippkåpan vänstra sida när du skall trimma gräset nära ett föremål.
7. Sprid det klippta gräset på den klippta ytan. På så sätt sprids det klippta gräset jämnare.
8. När du klipper stora ytor kan du starta med att klippa i högervarv så att det klippta gräset inte hamnar i buskar eller på staket och uppfarter eller liknande platser. Efter ett eller två varv vänder du och klipper istället i vänster-varv tills ytan är klar.
9. Om gräset är mycket högt klipper du i två omgångar så att motorbelastningen inte blir så stor. Klipp första omgången med klippkå-

pan i högsta läge och sänk sedan klippkåpan vid den andra.

10. Klipp alltid med gasreglaget i FAST-läget. Då arbetar motorn bäst och det klippta gräset sprids jämnast.
11. När du använder en uppsamlare, kör motorn med gasreglaget i FAST-läget och hastighetspedalen förd 1/3 till 1/2 framåt.
12. Rengör klippkåpan under- och översida efter varje klipptillfälle, så arbetar maskinen bättre. En ren klippkåpa motverkar också uppkomsten av brand.

UNDERHÅLL

OBSERVERA: Illustrationer och symboler börjar på sidan 2.

Allmänna rekommendationer

1. Det ingår i ägarens ansvar att underhålla denna produkt. Underhåll förlänger produktens livslängd och är nödvändigt för att garantin skall gälla.
2. Kontrollera tändstiftet och färdbronsen samt smörj enheten och rengör luftfiltret en gång om året.
3. Kontrollera fästanordningarna. Se till att alla fästanordningar sitter ordentligt.
4. Följ instruktionerna i underhållsavsnittet för att hålla enheten i gott skick.



WARNING: Innan du inspekterar, justerar eller reparerar enheten skall du alltid lossa tändstiftskabeln. Avlägsna kabeln från tändstiftet så att motorn inte kan startas av misstag.

OBSERVERA: Åtdragningsmoment mäts i newtonmeter. Måttet anger hur hårt åtdragen en mutter eller bult skall vara. Åtdragningsmomentet mäts med hjälp av en momentnyckel.

Inspektera kniven (figur 7)



WARNING: Koppla bort tändstiftskabeln från tändstiftet innan du inspekterar eller lossar kniven.

Stanna motorn om kniven slår i något föremål. Kontrollera om enheten skadats. Kniven har vass egg. Skydda därför händerna med handskar eller ett tygstycke när du tar i den.

Om du håller **kniven (1)** vass och kontrollerar att den inte är skadad, skär den bättre samtidigt som den blir säkrare att använda. Kontrollera ofta om kniven är mycket sliten, har sprickor eller andra skador. Kontrollera **muttern (3)** som håller **kniven (1)** ofta. Se till att **muttern (3)** är ordentligt åtdragen. Stanna motorn om kniven slår i något föremål. Koppla bort tändstiftskabeln från tändstiftet. Se efter om kniven har blivit böjd. Kontrollera om **knivmellanstycket (5)** är skadad. Ersätt skadade delar med originalreservdelar innan enheten används igen. Kontakta en auktoriserad verkstad i din närhet. Låt en auktoriserad tekniker kontrollera kniven vart tredje år och eventuellt ersätta den gamla med en originalresevdel.

Hur man tar av och monterar kniven (figur 7)

1. Ta av klippkåpan. Se instruktionerna i Hur man tar av klippkåpan.

- Hindra kniven från att rotera med hjälp av en träbit.
- Lossa **muttern (3)** som håller **kniven (1)**.
- Kontrollera **kniven (1)** och **knivmellanstycket (5)** enligt instruktionerna i Inspektera kniven. Ersätt hårt slitna eller skadade knivar med originalknivar. Kontakta en auktoriserad verkstad i din närhet.
- Rengör klippkåpens över- och undersida. Ta bort allt gräs och all smuts.
- Montera **kniven (1)** och **knivmellanstycket (5)** på **skftet (6)**.
- Montera **kniven (1)** så att **lyftkanterna (7)** hamnar uppåt. Om kniven sitter upp och ned skär den inte på rätt sätt vilket kan förorsaka olyckor.
- Fäst **kniven (1)** med originalbrickorna och **muttern (3)**. Se till att **bellevillefjäders (2)** yttre sidyta ligger mot **kniven (1)**.



VARNING: Se till att muttern (3) som håller kniven (1) alltid är väl åtdragen. En lös mutter eller en lös kniv kan förorsaka olyckor.

- Dra åt **muttern (3)** som håller **kniven (1)** med ett vridmoment av 41,5 Nm.
- Montera klippkåpan. Se Hur man tar av klippkåpan.

Hur man justerar knivreglaget



VARNING: För att skador skall undvikas måste knivreglaget fungera på rätt sätt.

Vid normal användning behöver knivreglaget inte justeras. Om maskinen börjar klippa sämre och klippresultatet blir dåligt utför du följande åtgärder.

- Se till att gasreglaget står i FAST-läget när du klipper.
- (Figur 8) För knivreglaget till **DISENGAGE-läget (1)**.
- Stanna motorn. Koppla bort tändstiftskabeln från tändstiftet.
- Kontrollera kniven (-arna). Se till att kniven (-arna) är slipad. Om kniven är trubbig blir gräsändarna bruna.
- (Figur 9) Koppla bort fjädern för driften av **kniven (2)** från **knivreglaget (1)**. Flytta **fjädern (2)** till det **mellersta hålet (4)**. På så vis spänns drivremmen hårdare.
- Anslut tändstiftskabeln till tändstiftet. Klipp ett kort stycke och kontrollera klippresultatet. Flytta fjädern för driften av **kniven (2)** till det **nedersta hålet (5)** om det behövs.
- Kontrollera klippresultatet igen. Byt ut knivdrivremmen om resultatet fortfarande inte har blivit bättre. Se Hur man byter ut knivdrivremmen. Lämna in enheten till en auktoriserad verkstad om det inte hjälper att byta rem.
- För knivreglaget till **DISENGAGE-läget**. Stanna motorn.
- (Figur 10) Kontrollera knivbromsarnas funktion. Roterar skivorna med hjälp av handen. Se till att **bromsbeläggen (1)** pressas hårt mot skivorna.



VARNING: Lämna in enheten till en auktoriserad verkstad om bromsbeläggen (1) inte pressas hårt mot skivorna.

- (Figur 8) För knivreglaget till **ENGAGE-läget (2)**.

F-050744L

- (Figur 10) Kontrollera beläggen till **knivbromsen (7)**. Byt ut bromsbeläggsenheterna om beläggen är för slitna eller skadade. De rätta ersättningsdelarna finns tillgängliga vid auktoriserade verkstäder. Där kan du också få hjälp.
- Anslut tändstiftskabeln till tändstiftet. Klipp ett kort stycke och kontrollera sedan knivens funktion igen.
- När du för knivreglaget till **DISENGAGE-läget**, avstannar rörelserna inom fem sekunder. Om remmen fortfarande rör sig eller om kniven fortsätter att rotera, kopplar du på och av knivreglaget fem gånger, så att eventuellt överflödigt gummi försvinner från knivdrivremmen. Tag enheten till en auktoriserad verkstad om du behöver hjälp.
- (Figur 9) Flytta **knivdriftsfjädern (2)** till det **översta hålet (3)** om du byter ut knivdrivremmen.

Hur man kontrollerar och justerar drivremmen (figur 18 och figur 21)

Om hjuldrivremmen är för lös slirar remmen när du kör i uppförsläge eller drar tung last, eller så rör sig traktorn inte alls.

VIKTIGT: Kör alltid med motorns hastighet i SNABB-position. Om motorhastigheten är långsam kan motorn och transmissionen bli alltför heta och skapa problem som liknar problemet med en lös drivrem.



VARNING: Innan du inspekterar, justerar eller reparerar enheten skall du alltid lossa tändstiftskabeln. Avlägsna kabeln från tändstiftet så att motorn inte kan startas av misstag.

- (Figur 21) Kontrollera **hjuldrivremmens (6)** dragningskraft. Kontrollera att **hjuldrivremmen (6)** är monterad på rätt sätt innanför **remförarna (7)**.
- (Figur 18) Koppla bort **kopplingslänkaget (1)** från **mellanarmen (2)**.
- (Figur 21) Rikta in hålet i **bromsarmen (3)** med hålet i ramen. Håll **bromsarmen (3)** på plats med en **6 mm (1/4 tum) pinne eller bult (4)**.
- (Figur 18) Vrid **kopplingslänkaget (1)** tills det att **monteringshållet (5)** i **kopplingslänkaget (1)** är i linje med **monteringshållet (5)** i **mellanarmen (2)**.
- Koppla samman **kopplingslänkaget (1)** med **mellanarmen (2)**.
- (Figur 21) Ta bort **6 mm (1/4 tum) pinnen eller bulten (4)**.
- Om remmen fortfarande slirar när remmen har justerats, är hjuldrivremmen utsliten eller skadad och måste bytas. Se Hur man byter ut hjuldrivremmen.

Hur man kontrollerar och justerar färdbromsen (figur 12 och 20)

(Figur 20) Lägg i parkeringsbromsen. För den **automatiska frikopplingen (1)** till **TRYCK-läget (3)**. Skjut på maskinen. Om bakhjulen roterar, skall bromsbeläggen justeras eller bytas ut.

Justera **färdbromsen (4)** enligt följande:

- (Figur 12) **Färdbromsens (4)** placering är på höger sida om **växellådan (5)**.

- (Figur 20) Kontrollera att parkeringsbromsen är ilagd och att den **automatiska frikopplingen (1)** befinner sig i **TRYCK-läget (3)**.
- (Figur 12) Vrid **sexkantsmuttern (6)** medurs tills det att bakhjulen inte roterar när man skjuter maskinen framåt.
- Lossa parkeringsbromsen och putta traktorn. Om traktorn inte rullar, vrider du **sexkantsmuttern (6)** moturs tills den gör det.
- Dra åt parkeringsbromsen. Putta traktorn. Om bakhjulen inte roterar, är **färdbromsen (4)** rätt inställd. Lossa parkeringsbromsen.



VARNING: Om det inte går att justera färdbromsen så att den fungerar på rätt sätt, byter du ut bromsbeläggen. De rätta ersättningsdelarna finns tillgängliga vid auktoriserade verkstäder.

Hur man tar ut batteriet (figur 4)

När du skall ladda eller rengöra **batteriet (1)** tar du ut det ur traktorn på följande sätt.



VARNING: För att förhindra gnistbildning måste du koppla bort den svarta batterikabeln (8) från den negativa anslutningen (-) innan du kopplar bort den röda kabeln (5).



VARNING: Batteriet innehåller svavelsyra som är skadlig för huden, ögonen och dina kläder. Tvätta med vatten om du får syra på huden eller kläderna.

- Koppla bort den **svarta kabeln (8)** från den negativa (-) anslutningen.
- Koppla bort den **röda kabeln (5)** från den **positiva (+) anslutningen (4)**.
- Lyft ut **batterihållaren (3)** och **batteriet (1)** ut traktorn.

Hur man laddar batteriet (figur 4)



VARNING: Rök inte när du laddar batteriet. Se till att det inte förekommer gnistbildning i närheten av batteriet. Gaserna från batterisyran kan förorsaka en explosion.

- Ta ut **batteriet (1)** innan du laddar det (1).
- Använd en 12 volts batteriladdare för att ladda **batteriet (1)**. Ladda med 6 ampere i en timme.
- Montera **batteriet (1)**.
- VARNING: För att förhindra gnistbildning skall den röda kabeln fästas vid den positiva (+) anslutningen innan den svarta kabeln ansluts.**
- Fäst den **röda kabeln (5)** vid den **positiva (+) anslutningen (4)** med hjälp av fästordningarna så som visas.
- Fäst den **svarta kabeln (8)** vid den **negativa (-) anslutningen** med hjälp av fästordningarna så som visas.

Hur man justerar givarhjulen

Axelbultarna för givarhjulen monterades i läget **LÅG** klipphöjd. För att ändra läget på givarhjulen, flytta axelbultarna enligt följande.

VIKTIGT: Innan du justerar givarhjulen, måste du göra följande. Se till att klippkåpan är vågrätt. Se till att klipphöjden är inställd på den längd på gräset du vill ha på din grasmatta. Klipp en kort bit på platt mark och titta på ytan som du klippte. Om klippkåpan inte klipper vågrätt, se instruktionerna om "Hur man ställer klippkåpan vågrätt."

! WARNING: Innan du inspekterar, justerar eller reparerar enheten, koppla loss tändstiftets kabel. Ta bort tändstiftet för att förhindra att motorn startar av en olyckshändelse.

1. (Figur 22, illustration "I") Ta bort givarhjul (12) och axelbultar (11).
 2. (Figur 13) Klipp en kort bit på platt mark för att kontrollera om klippningen är vågrät och klipphöjden den rätta. Titta på klipphöjdens positionsnummer (3) på höjdraglaget (1).
 3. (Figur 22, illustration "I") Titta på varje givarhjul (13). Det finns 3 hål i varje konsoll och ett nummer bredvid varje hål. Numret för klipphöjdens position på höjdraglaget visar det korrekta hålet att använda på varje givarhjul (13).
- OBS:** Hjulkonsollhål nr 1 motsvarar höjdraglagets position nr 1, Hjulkonsollhål nr 2 motsvarar höjdraglagets position nr 2, Hjulkonsollhål nr 3 motsvarar höjdraglagets position nr 3, 4, 5, 6.
4. Montera axelbultarna (11) på givarhjul-konsollerna (13) och använd rätt hål i konsollen som angivits.

OBS: Om klipphöjdspositionen har ändrats av höjdraglaget, måste du flytta givarhjulen till korrekt hål för att hålla jämn klipp höjd. Hur man ställer klippkåpan vågrätt (figur 13 och figur 14)

Kniven klipper lättare och gräsmattan blir snyggare om klippkåpan ligger vågrätt.

! WARNING: Innan du inspekterar, justerar eller reparerar enheten skall du alltid lossa tändstiftskabeln. Avlägsna kabeln från tändstiftet så att motorn inte kan startas av misstag.

1. Se till att traktorn står på en hård och plan yta.
2. Kontrollera lufttrycket i däcken. Ett felaktigt tryck får till följd att klippkåpan inte klipper vågrätt. Korrekt lufttryck för framhjul är 0,97 BAR (14 PSI) samt för bakhjul, 0,69 BAR (10 PSI).
3. Tag bort givarhjulen, om sådana finns.
4. (Figur 13) För höjdraglaget (1) till läget för nivåjustering (2).

! WARNING: Höjdraglaget (1) är fjäderbelastat. Kontrollera att höjdraglaget (1) är låst i läget för nivåjustering (2).

5. (Figur 14) Lossa den vänstra och högra justerknappen (1). Tryck ned båda sidorna på klippkåpan. Se till att båda sidorna på klippkåpan ligger an mot den plana ytan. Kontrollera också att lyftlänkarna (2) är lösa och lätt kan röras upp och ner.
6. Tryck lyftlänkarna (2) och dra åt vänster och höger justerknapp (1). Om nödvändigt, använd en nyckel för att dra åt justerknapparna (1).
7. (Figur 13) Lyft höjdraglaget (1) från läget för nivåjustering (2) till klipphöjds läget.
8. Sätt fast givarhjulen, om sådana finns.
9. Klipp ett kort stycke. Upprepa föregående åtgärder om klipphöjden inte är vågrätt inställd.

Smörjställen (figur 15)



Modeller med smörjnipplar:
Smörj med smörjspruta.
Lägg på fett med en borste på de angivna ytorna.
Smörj de angivna ytorna med motorolja.

OBSERVERA: Applicera fett på styrenheten. **VIKTIGT:** Smörj traktorn med torr grafitspray om den används i torra områden med sand.

Kontrollera däcken

Kontrollera lufttrycket i däcken. Om det är för högt blir gången skakig. Dessutom får ett felaktigt tryck till följd att klippkåpan inte klipper vågrätt. Korrekt lufttryck för framhjul är 0,97 BAR (14 PSI) samt för bakhjul, 0,69 BAR (10 PSI).

Hur man byter ut hjuldrivremmen

1. Ta av klippkåpan. Se instruktionerna i Hur man tar av klippkåpan.
2. (Figur 16) Demontera den mellersta tomgångsskivan (4).
3. Koppla bort tomgångsfjäders (7).
4. Demontera tomgångsskivan (8) och distansen (9).
5. Demontera V-tomgångsskivan (5) och distansen (13).
6. Ta bort hjuldrivremmen (1) från drivremskivan (6).
7. (Figur 17) För att ta bort hjuldrivremmen (1) från remskivan (2), drar man remmens främre del under remskivan (2) och sedan tillbaka mellan remskivan och styrplattan (3).
8. (Figur 11) Ta bort serviceluckan (10).
9. Demontera de två skruvarna (11) som håller rattstången (12). Lyft upp ratten och rattstången (12). Dra hjuldrivremmen (1) under rattstången (12).
10. Ta bort hjuldrivremmen (1). Hjälps och rätt ersättningsdel finns vid närmaste auktoriserade verkstad.
11. För att montera hjuldrivremmen, utför du åtgärderna ovan i omvänd ordning.
12. (Figur 16) Kontrollera hjuldrivremmens (1) dragning. Kontrollera att hjuldrivremmen är monterad på rätt sätt på tomgångsskivorna.
13. Innan du använder maskinen, skall kopplingens justering kontrolleras. Se instruktionerna "Hur man kontrollerar och justerar kopplingen".
14. Montera klippkåpan. Se instruktionerna "Hur man monterar klippkåpan".

Hur man byter ut knivdrivremmen (figur 10)

1. Ta av klippkåpan. Se instruktionerna i Hur man tar av klippkåpan.
2. Dra remhållaren (1) i riktning bort från tomgångsskivan (2) och ta bort drivremmen (3).
3. Dra remhållaren (4) i riktning bort från den högra remskivan (5) och ta bort drivremmen (3).

4. Dra remhållaren (4) i riktning bort från den vänstra remskivan (6) och ta bort drivremmen (3). Ta bort drivremmen. Hjälps och rätt ersättningsdel finns vid närmaste auktoriserade verkstad.
5. För att montera drivremmen utför du åtgärderna ovan i omvänd ordning.

Hur man tar av klippkåpan (figur 22)

1. För knivreglaget (1) till DISENGAGE-läget.
2. För höjdraglaget (2) till läget för nivåjustering.



Höjdraglaget är fjäderbelastat. Kontrollera att höjdraglaget är låst i NIVÅJUSTERING-läget.

3. Ta bort hårnålarna och brickorna från justerrarmarna (3). Se illustration C och D.
4. Ta bort hårnålarna och brickorna från upphängningslänkarna (4). Se illustration A och B.
5. Koppla bort dragfjäders (5) från knivens reglerstång (6). Se illustration E.
6. Koppla av fronthållaren (9) från axelstaget. Se illustration F.
7. Ta bort knivdrivremmen (7) från remskivan (8).
8. Drag bort klippkåpan på högra sidan av traktorn.
9. För att montera klippkåpan utför du åtgärderna ovan i omvänd ordning.

Hur man byter säkring

Om säkringen har gått, startar inte traktorn. Ta bort säkringen och ersätt den med en 15 amper automat säkring.

Förvaring (mer än 30 dagar)

På följande sätt förbereder du traktorn för förvaring vid slutet av säsongen.

1. Töm bränsletanken och förgasaren från bensin. Byt motorolja. Se motortillverkarens instruktioner.
2. Rengör hela traktorn.
3. Ladda batteriet.

Hur man beställer reservdelar

Traktorns reservdelslista hittar du antingen på de sista sidorna i handboken eller i en särskild reservdelsbok.

Använd endast reservdelar som är godkända av tillverkaren. Bokstaven som står sist i reservdelsnumret visar vilken ytbehandling delen har; C står för krom och Z för zink. PA står för inköpt enhet. Det är viktigt att du anger bokstäverna när du beställer reservdelarna. Använd endast tillbehör som är särskilt avsedda för traktorn. För att du skall kunna få rätt reservdelar, måste du uppge traktorns modellnummer (se märkplåten).

Reservdelar, förutom motor, transmission, axlar och differential, kan köpas där du köpte traktorn eller i den serviceverkstad som affären rekommenderar.

Om du inte kan få tag på reservdelar på det sätt som beskrivs ovan, är du välkommen att kontakta:

HAYTER LIMITED,
Service Department,
Spellbrook,
Bishop's Stortford,
Hertfordshire. CM23 4BU.

MURRAY, INC.

International Sales
P.O. Box 268
Brentwood, Tennessee USA 37024
1-800-251-8007
Fax (615) 373-6633 Samtal som betalas av mottagaren accepteras inte.

Reservdelar för motorn, axlarna och transmissionen kan du köpa i de auktoriserade serviceverkstäder som står i Gula Sidorna. Se också motorns och transmissionens särskilda garanti-bevis för beställning av reservdelar.

När du beställer reservdelar skall följande information uppges:

- (1) Modellnummer
- (2) Serienummer
- (3) Reservdelsnummer
- (4) Antal

FELSÖKNINGSSCHEMA

PROBLEM: Motorn startar inte.

1. Följ åtgärderna under Hur man startar motorn i denna handbok.
2. Modeller med elektrisk start: Rengör batterianslutningarna. Dra åt alla kablar.
3. Kontrollera om det finns lösa kablar. Dra åt ändlägesbrytarna. (Se kopplingsdiagrammet.)
4. Töm bränsletanken. Rengör bensinledning. Byt ut bensinfiltert.
5. Ta bort tändstiftet (-en). För gasreglaget till SLOW-läget. Vrid tändningsnyckel till ON-läget. Försök att starta motorn flera gånger. Sätt i tändstiftet.
6. Byt tändstift.
7. Justera förgasaren.

PROBLEM: Motorn roterar inte.

1. Följ åtgärderna under, Hur man startar motorn i denna bok.
2. Modeller med elektrisk start: Ladda batteriet.
3. Byt säkring.
4. Kontrollera om kabelnätet är skadat eller någon anslutning är lös. Laga den skadade kabeln.
5. Modeller med elektrisk start: byt ut magnetspolen. Modeller med dragstart: byt ut modulen.

PROBLEM: Motorn är svår att starta.

1. Justera förgasaren.
2. Byt tändstift.
3. Byt bensinfilter.

PROBLEM: Motorn går inte jämt eller förlorar effekt.

1. Kontrollera oljan.
2. Rengör luftfiltret.
3. Rengör luftnätet.
4. Byt tändstift.
5. Motorn arbetar för hårt. Använd en lägre växel.
6. Justera förgasaren.
7. Byt bensinfilter.

PROBLEM: Motorn går inte jämnt vid högt varvtal.

1. Byt tändstift.
2. Justera gasreglaget.
3. Rengör luftfilter.

4. Byt bensinfilter.

PROBLEM: Motorn stannar när knivarna kopplas in.

1. Kontrollera om kabelnätet är skadat eller någon anslutning är lös. Laga den skadade kabeln.
2. Gräspåsen måste vara installerad (gäller endast modell med bakre utflödesgräspåse).

PROBLEM: Motorn stannar vid körning i backe.

1. Kör upp eller ner för backen. Klipp aldrig tvärs över en backe.

PROBLEM: Motorn går inte på tomgång.

1. Byt tändstift.
2. Rengör luftfiltret.
3. Justera förgasaren.
4. Justera gasreglaget.
5. Töm bränsletanken. Rengör bensinledning. Byt bensinfilter.

PROBLEM: Effektförlust på grund av varm motor.

1. Rengör luftnätet.
2. Kontrollera oljan.
3. Justera förgasaren.
4. Byt bensinfilter.

PROBLEM: Starka vibrationer.

1. Byt rotorblad.
2. Kontrollera om maskinen har några lösa bultar.
3. Minska lufttrycket i däcken.
4. Justera förgasaren.
5. Kontrollera om någon av remmarna eller remskivorna är skadade. Byt ut skadade delar.

PROBLEM: Gräset sprids inte ordentligt.

1. Stanna motorn. Rengör klippkåpan.
2. Öka klipphöjden.
3. Byt ut eller vässa kniven (-arna).
4. Ställ växelspaken på en lägre hastighet.
5. För gasreglaget till FAST-läget.
6. Byt ut fjädern till knivens tomgång.
7. Rengör förlängningsrör och anslutningsrör (gäller endast modell med bakre utflödesgräspåse).

PROBLEM: Klippaggregatet klipper inte vågrätt.

1. Kontrollera lufttrycket i däcken.
2. Justera klippkåpan nivå.
3. Kontrollera framaxeln. Lossa axelbulten (-arna) om framaxeln inte kan rotera fritt.

PROBLEM: Rotorbladen roterar inte.

1. Kontrollera knivdrivremmen. Se till att den är monterad på rätt sätt.
2. Byt ut knivdrivremmen.

PROBLEM: Enheten rör sig inte när bromsen släpps och hastighetspedalen är nedtryckt.

1. Kontrollera hjuldrivremmen. Se till att den är monterad på rätt sätt.
2. Justera kopplingen.
3. Byt ut hjuldrivremmen .
4. Koppla loss den automatiska drevbortkopplingen under the seat.

PROBLEM: Enheten går långsammare eller stannar när hastighetspedalen är nedtryckt.

1. Byt koppling.
2. Byt ut hjuldrivremmen.

PROBLEM: När bromspedalen släpps hör man remoljud.

1. Tillfälliga missljud från remmarna påverkar inte traktorns funktion. Kontrollera att remmarna är rätt monterade om missljuden inte upphör. Se till att de passerar innanför alla remförare.
2. Justera kopplingen om missljuden inte upphör.

PROBLEM: Bakhjulen spinner i ojämn terräng.

1. Kontrollera framaxeln. Lossa axelbulten (-arna) om framaxeln inte kan rotera fritt.

PROBLEM: Det är svårt att föra axeln mellan växlar när motorn går och kopplingen är nedtryckt.

1. Kontrollera justeringen av kopplingen och se till att remmen stannar när kopplingspedalen trycks ned och axeln är i friläge (N).
2. Kontrollera remförarna runt axelns remskiva. Se till att remförarna inte kommer i kontakt med skivan.

SISÄLLYS

KANSAINVÄLISET KUVAMERKIT	80
KÄYTTÄJÄLLE TIEDOKSI	81
TURVALLINEN KÄYTTÖ	81
KOKOONPANO	82
KÄYTTÖ	83
KUNNOSSAPITO	84
VIANETSINTÄOPAS	88

MURRAY, INC.

KAHDEN VUODEN RAJOITETTU TAKUU

Murray, Inc. takaa alkuperäiselle ostajalle **kahdeksi (2) vuodeksi** ostopäivästä lukien, että tässä laitteessa ei tule olemaan raaka-aineista tai työnlaadusta johtuvia vikoja normaalissa käytössä ja huollossa seuraavin poikkeuksin: tämä takuu ei kata moottoreita, lisävarusteita (kuten lumilinkoja, lumiauroja, ruohonkerääjiä ja auroja), voimansiirtolaitteistoja, akkuja ja "normaaleja kulumia osia" (alla olevin poikkeuksin) tai vaihteistoja, sillä näiden valmistajat antavat omat takuunsa näille laitteille ja tarjoavat niiden huollon omien valtuutettujen huoltopisteidensä kautta. Lisätietoja näistä löydät tutustumalla kyseisten laitteiden takuehtoihin. Mikäli et tiedä, onko laitteessasi tällaisia osia tai varusteita, niin ota yhteys jälleenmyyjääsi ennen laitteen ostamista. Tässä rajoitetussa takuussa mainittu-

jen ehtojen ja varausten mukaisesti sitoudumme harkintamme mukaan korjaamaan tai vaihtamaan tämän takuun alaiset osat takuun voimassaoloaikana alkuperäiselle ostajalle.

Mikäli akku osoittautuu vialliseksi yhdeksänkymmenen (90) päivän kuluessa ostopäivästä, niin vaihdamme sen veloituksetta uuteen. Mikäli akku osoittautuu vialliseksi yli yhdeksänkymmentä (90) mutta alle satakaksikymmentä (120) päivää ostopäivästä lukien, niin veloitamme sen vaihtamisesta uuteen puolet (1/2) vastaavanlaisen akun hinnasta palautushetkellä.

"Normaalit kuluvat osat" tarkoittavat hihnoja, teriä, terien kiinnikkeitä, paineilmarenkaita, ajovaloja ja istuimen päällisiä. Takaamme, että näissä osissa ei ole raaka-aineista tai työnlaadusta johtuvia vikoja laitetta luovutettaessa. "Normaalien kulumien osien" korjausta tai uusimista koskevat vaatimukset on tehtävä kolmenkymmenen (30) päivän kuluessa ostopäivästä. Emme hyväksy käytön tai väärinkäytön seurauksena syntyneitä vahinkoja koskevia korvausvaatimuksia.

Tähän **Murray, Inc. kahden (2) vuoden rajoitettuun takuuseen** perustuvan korvausvaatimuksen tekemiseksi toimiva laite (tai viallinen osa, mikäli sovittu etukäteen) ostotodistuksesi kanssa alueellasi olevaan valtuutettuun huoltopisteeseen. Lähimmän huoltopisteen löytämiseksi soita alueesi päävaraosaliikkeeseen, jonka nimen löydät laitteen mukana tulleesta luettelosta tai puhelintuuletalon keltaisilta sivuilta. Jos palautat laitteen kokonaisuudessaan, korjaamme

sen. Jos olemme valtuuttaneet viallisen osan palauttamisen, niin me joko uusimme tai korjaamme sen. Mikäli vika on voimansiirrosta tai tasauspyörästössä (erotukseksi vaihteistosta) on koko voimansiirto tai tasauspyörästö toimitettava takaisin, koska niissä ei ole käyttäjän huollettavia osia.

Tämä **Murray, Inc. kahden (2) vuoden rajoitettu takuu** antaa Sinulle tietyt lailliset oikeudet ja Sinulla voi olla myös muita oikeuksia, jotka vaihtelevat maittain. **Tämä rajoitettu takuu on annettu kaikkien muiden julki lausuttujen ja hiljaisten takuiden asemesta. Näihin muihin takuihin kuuluu hiljaiset takuut tuotteen kauppakelpoisuudesta ja käyttökelpoisuudesta.** Jos tarvitset lisätietoja tästä kirjallisesta takuusta tai apua huollon saamisessa, niin kirjoita osoitteeseen:

HAYTER LIMITED,
Service Department,
Spellbrook,
Bishop's Stortford,
Hertfordshire. CM23 4BU.

MURRAY, INC.
International Sales
P.O. Box 268
Brentwood, Tennessee USA 37024
1-800-251-8007
Fax (615) 373-6633

KANSAINVÄLISET KUVAMERKIT

TÄRKEÄÄ: Seuraavat kuvamerkit sijaitsevat laitteessasi tai sen mukana tulleessa kirjallisuudessa. Opettele ja ymmärrä näiden kuvamerkkien merkitykset ennen kuin käytät konetta.

HUOMAA: Kuvat ja kuvamerkit alkavat sivulta 2.

Turvallisuuteen liittyvät varoittavat kuvamerkit (kuva 23)

- 1 Varoitus
- 2 TÄRKEÄÄ: Lue käyttöohjeet ennen tämän koneen käyttöä.
- 3 VAROITUS: Sinkoilevia esineitä. Pidä sivustakatsot kaukana. Lue käyttöohjeet ennen tämän koneen käyttöä
- 4 VAROITUS: Älä käytä tätä konetta rinteillä, jotka ovat jyrkempiä kuin 10 astetta.

- 5 VAARA: Pidä ihmiset, varsinkin lapset, poissa koneelta.
- 6 VAARA: Älä astu.
- 7 VAARA: Pidä jalat ja kädet pois pyörivistä teristä.
- 8 Ilmoitettu äänen tehotaso (100 dB(A)) on direktiivin 2000/14/EY mukainen.
- 9 VAARA: Irrota sytytystulpan johto ennen koneen huoltamista.
- 10 VAROITUS: Kuuma pinta.
- 11 VAROITUS: Ole varovainen liittäessäsi tai irrottaessasi lisälaitteita.
- 12 VAROITUS: Sormet voivat murskautua.
- 13 TÄRKEÄÄ: Noudata käyttöoppaassa annettuja leikkausyksikön tasausohjeita.
- 14 VAROITUS: Pysy pois leikkurin terän läheltä niin kauan kuin moottori on käynnissä.

Hallintaan ja käyttöön liittyvät kuvamerkit (kuva 24)

- 1 Moottorin käynnistys
- 2 Valot
- 3 Moottorin käynti
- 4 Moottorin pysäytys
- 5 Moottorin käynti
- 6 Jarru
- 7 Pysäköintijarru
- 8 Kytkin
- 9 Hidas
- 10 Nopea
- 11 Rikastin
- 12 Öljy
- 13 Terän toimintasäädin
- 14 Nosta
- 15 Polttoaine

MODEL NO.: 425607x52A

SKU No.:

YYYY MM DD: _____

SERIAL NO.:

2750 min-1

196 kg



Assembled in Lawrenceburg, TN 38464, U.S.A.

Ilmoitetut värinätasot ovat direktiivin 98/37/EY mukaisia.

Värinätaaso standardin BS EN 1032 mukaan:

Istuin < 0.5 m/s², Oikea astinlauta 1.05 m/s², Vasen astinlauta 1.69 m/s²

Värinätaaso standardin BS EN 1033 mukaan: Ohjauspyörä 0.95 m/s²

Arvot mitattu käyttäjän ollessa kuljettajan istuimella ja koneen käydessä paikallaan betonipinnalla nopeudella 2750 r/min.

Ilmoitettu äänen tehotaso (100 dB(A)) on direktiivin 2000/14/EY mukainen.

Äänenpainetaso käyttäjän paikalla 83 dB.

Arvot mitattu korvan tasolla direktiivin EN 836/A2:2001 mukaisesti.

KÄYTTÄJÄLLE TIEDOKSI

KTunne koneesi: Koneen ja sen toiminnan ymmärtäminen auttavat Sinua saamaan koneestasi parhaan mahdollisen hyödyn. Lukiessasi näitä käyttöohjeita vertaa siinä olevia kuvia laitteeseesi. Opettele hallintalaitteiden sijainti ja toiminta. Onnettomuuksien estämiseksi seuraa käyttöohjeita ja turvamääräyksiä. Säilytä tämä käyttöohjekirja myöhemmää tarvetta varten.



VAROITUS: Tämä kuva on merkinä tärkeästä työturvallisuuttasi koskevasta vaarasta. Sen sanomana on: **“Huomio! Ole varuillasi! Turvallisuuksesi on vaarassa.”**

Omistajan vastuu



VAROITUS: Tämä leikkuri pystyy katkaisemaan käsiä ja jalkoja sekä sinkoamaan maassa olevia esineitä. Seuraavien turvallisuusohjeiden noudattamatta jättämisestä voi olla seurauksena vakavia vammoja tai jopa käyttäjän tai sivustakatsojien kuoleminen.

Omistajan velvollisuutena on seurata alla olevia ohjeita.

TURVALLINEN KÄYTTÖ

Ajettavat vaakatasoleikkurit

Harjoittelu

- Lue käyttöohjeet huolellisesti. Tutustu hallintalaitteisiin ja koneen oikeaan käyttöön.
- Älä koskaan anna lasten tai näitä ohjeita tuntemattomien henkilöiden käyttää ruohonleikkuria. Paikallisissa säännöksissä voi olla käyttäjän ikää koskevia rajoituksia.
- Älä koskaan käytä leikkuria, kun ihmisiä, varsinkin lapsia, tai lemmikkieläimiä on koneen lähistöllä.
- Muista, että koneen käyttäjä on vastuussa muille ihmisille tai heidän omaisuudelleen aiheuttamastaan onnettomuudesta ja vahingoista.
- Älä kuljeta matkustajia.
- Jokaisen kuljettajan tulisi hankkia asiantuntevaa käyttöopastusta ja -harjoittelua. Tällaisen opastuksen tulisi painottaa:
 - huolellisuuden ja keskittymisen merkitystä ajettavilla koneilla työskennellessä;
 - ajettavaa leikkuria ei saada takaisin hallintaan käyttämällä jarrua sen liukuestarinteellä. Hallinnan menettämisen tärkeimpiä syitä ovat:
 - renkaiden puutteellinen pito;
 - liian suuri nopeus;
 - riittämätön jarrutus;
 - käytetty laite ei sovi kyseiseen tarkoitukseen;
 - maan pinnan, varsinkin rinteiden, vaikutuksen huomioimatta jättäminen;
 - lisälaitteiden kiinnitysvirheet ja kuormituksen vääränlainen jakautuminen.

Valmistautuminen

- Nurmikkoa ajaessasi käytä aina tukevia kenkiä ja pitkiä housuja. Älä käytä tätä la-

tetta paljain jaloin tai avoimissa sandaaleissa.

- Tarkista huolellisesti alue, jossa leikkuria aiotaan käyttää, ja poista maassa olevat esineet, jotka kone voi singota niihin osueeseen.
- VAROITUS - Bensiini on erittäin tulenarkaa.**
 - Säilytä polttoainesäiliöt tätä tarkoitusta varten tehdyissä tiloissa.
 - Tankkaa vain ulkotiloissa äläkä tupakoi tankatessasi.
 - Lisää polttoainetta ennen moottorin käynnistämistä. Älä koskaan avaa polttoainetankin korkkia tai lisää polttoainetta moottorin ollessa käynnissä tai kuuma.
 - Jos polttoainetta läikkyä tai vuotaa yli, niin älä käynnistä moottoria, vaan siirrä laite pois alueelta ja pidä kaikki mahdolliset sytytyslähteet poissa alueelta, kunnes bensiinihöyryt ovat haihtuneet.
 - Sulje polttoainetankin ja -säiliöiden korkit huolellisesti.
- Uusi vialliset äänenvaimentimet.
- Ennen käyttöä tarkista aina, että terät, terien pultit ja teräkokonaisuus eivät ole kuluu-neet tai vahingoittuneet. Uusi kuluneet tai vioittuneet terät ja pultit sarjoina tasapainon säilyttämiseksi.
- Ole erityisen huolellinen moniteräisten leikkureiden kanssa, sillä yhden terän pyörittäminen voi saada myös muut terät pyörimään.

Käyttö

- Älä käytä laitetta umpinaisessa tilassa, johon voi keräytyä vaarallista, pakokaasuissa olevaa hiilimonoksidia.
- Käytä leikkuria ainoastaan päivänvalossa tai hyvässä keinovalossa.
- Ennen moottorin käynnistämistä siirrä kaikki terälaitteiden kytkimet pois päältä ja asesta ajoneuvon vaihteisto vapaalle.
- Älä käytä rinteillä, jotka ovat jyrkempiä kuin 10 astetta.
- Muista, että ei ole olemassa sellaista kuin “turvallinen” rinne! Ruohikkoisilla rinteillä ajaminen vaatii erityistä huolellisuutta. Kaa-tumisen välttämiseksi:
 - älä pysähdy tai lähde liikkeelle äkisti kulkiessasi ylä- tai alamäkeen;
 - käytä kytintä hitaasti, pidä aina vaihde päällä varsinkin alamäkeen ajaessasi;
 - aja hitaasti rinteillä ja jyrkissä käännöksissä;
 - varaudu maanpinnan kohoumiin ja kuoppiin sekä muihin piileviin vaaroihin;
 - älä koskaan aja rinteiden poikki, ellei ruohonleikkuria ole suunniteltu tähän tarkoitukseen.
- Ole varovainen vetäessäsi kuormia tai käyttäessäsi raskaita laitteita.
 - Käytä vain sallittuja vetotangon kiinnityspisteitä.
 - Älä ota suurempia kuormia kuin mitä voit turvallisesti käsitellä.
 - Älä tee jyrkkiä käännöksiä. Ole varovainen peruuttaessasi.
 - Käytä vastapainoja tai pyörien lisäpainoja ohjekirjan suositusten mukaisesti.
- Varo liikennettä ylittäessäsi tai ollessasi lähellä ajoteitä.

- Pysäytä terät ennen muiden kuin nurmipintojen ylittämistä.
- Lisälaitteita käyttäessäsi älä koskaan suuntaa poistoaukkoa sivustakatsojia kohden äläkä anna kenenkään olla koneen läheisyydessä sen käytön aikana.
- Älä koskaan käytä leikkuria, jossa on viallisia suoja- tai kilpiä tai jonka turvavarusteet eivät ole paikoillaan.
- Älä muuta moottorin säätöjä tai käytä moottoria ylinopeudella. Käyttö ylinopeudella voi lisätä onnettomuusvaaraa.
- Ennen käyttäjän paikalta poistumista
 - pane tehonotto pois päältä ja laske alas lisälaitteet;
 - vaihda vapaalle ja kytke pysäköintijarru;
 - pysäytä moottori ja irrota avain.
- Kytke pois lisälaitteiden voimansiirto, pysäytä moottori ja irrota sytytystulpan johto/johdot ja irrota virta-avain
 - ennen tukosten poistamista ja poistaukon puhdistamista;
 - ennen leikkurin tarkistamista, puhdistamista tai huoltamista;
 - maassa olevaan esineeseen osumisen jälkeen. Tarkista mahdolliset vauriot ja korjaa ne ennen laitteen uudelleen käynnistämistä ja käyttöä;
 - jos laite alkaa täräistä epänormaalisti (tarkista välittömästi).
- Kytke pois lisälaitteiden voimansiirto kuljettajaessa tai laitteen ollessa pois käytöstä.
- Pysäytä moottori ja kytke pois lisälaitteiden voimansiirto
 - ennen polttoaineen lisäämistä;
 - ennen ruohonkerääjän irrottamista;
 - ennen korkeuden säätöä, ellei säätämistä voida tehdä kuljettajan paikalta.
- Pienennä kaasua moottorin loppukäytön aikana, ja mikäli moottori on varustettu sulkuventtiilillä, niin sulje polttoaineen kulku leikkauksen päätteeksi.
- Ennen perutusta ja sen aikana katso **taaksesi ja alas**, ettei siellä ole pieniä lapsia.
- Ole erityisen varovainen läheystyessäsi kuolleita kulkimia, pensaita, puita tai muita näkyvyyttä rajoittavia tekijöitä.

Kunnossapito ja säilytys

- Ole erityisen huolellinen moniteräisten leikkureiden kanssa, sillä yhden terän pyörittäminen voi saada myös muut terät pyörimään.
- Leikkuukoneisto on laskettava alas laitetta pysäköitäessä, varastoitaessa tai jätettäessä se ilman silmälläpitoa, ellei koneistoa ole muuten lukittu tukevasti paikalleen.
- Pidä kaikki mutterit, pultit ja ruuvit kireällä, jotta laite pysyy turvallisessa työkunnossa.
- Älä koskaan varastoi laitteita, jonka tankissa on polttoainetta, tilassa, missä polttoainekaasut voivat joutua kosketukseen tulen tai kipinöiden kanssa.
- Anna moottorin jäähtyä ennen laitteen varastointia suljetussa tilassa.
- Palovaaran pienentämiseksi pidä moottori, äänenvaimennin, akun ympäristö ja polttoaineen varastointipaikka puhtaana ruohosta, lehdistä ja ylimääräisestä rasvasta.
- Tarkista ruohonkerääjän kuluminen ja vauriot säännöllisesti.
- Uusi kuluneet tai vaurioituneet osat turvallisuuden vuoksi.
- Mikäli polttoainetankki on tyhjennettävä, on se tehtävä ulkotiloissa.

KOKOONPANO

Kaikki kiinnittimet ovat osapussissa. Älä heitä pois yhtään osaa tai tarviketta ennen kuin laite on koottu.



VAROITUS: Ennen leikkurin minikäänlaista kokoonpanoa tai huoltoa irrota sytytystulpan johto sytytystulpastasta.

HUOMAA: Näissä käyttöohjeissa vasen ja oikea tarkoittavat osien sijaintia kuljettajan istuessa istuimellaan.

HUOMAA: Kuvat ja kuvamerkit alkavat sivulta 2.

HUOMAA: Kokoa seuraavat irto-osat käyttämällä *kuvas*sa 25 luonnollisessa koossa kuvattuja kiinnikkeitä.

Etupyörien asentaminen (kuva 1)

Leikkaa veitsellä laatikon neljä sivua auki. Asenna **etupyörät (1)** laatikossa.

HUOMAA: Käytä noin 1,25 m:n (4 ft) pituista puunkappaletta traktorin etupään nostamiseksi. Jos sopivaa puunkappaletta ei löydy, niin pyydä toinen henkilö auttamaan traktorin nostamisessa. Ole varovainen, älä anna traktorin pudota.

1. Nosta traktorin etupää. Aseta tuki (puunkappale) traktorin alle.
2. Varmista, että **venttiilin varsi (2)** on traktorin ulkopuolella. Työnnä **etupyörä (1) akseliin (3)**.
3. Kiinnitä kumpikin **etupyörä (1)** käyttäen **aluslevyä (4)** ja **sokkanaulaa (5)**. Käännä **sokan (5)** päät erilleen, jotta **etupyörä (1)** pysyy **akselilla (3)**.
4. **Etupyörien (1)** asennuksen jälkeen nosta traktori pois tuelta. Rullaa traktori pois pakkauskelta.
5. Jos traktorin varusteisiin kuuluu **pölykapselit (6)**, niin asenna ne. Varmista, että **aluslevyt (4)** pitävät **pölykapselit (6)** paikoillaan.

Leikkuuyksikön asentaminen (kuva 22)

1. Siirrä **terän toimintasäädin (1)** "POIS KÄYNNISTÄ"-asentoon.
2. Siirrä **korkeuden säädin (2)** korkeuden säätö-asentoon.



VAROITUS: Korkeuden säädin on jousikuormitettu. Varmista, että korkeuden säädin on lukittuna **KORKEUDEN SÄÄTÖ** asentoon.

3. Kiinnitä **etumainen ripustin (9)** kiinnikkeillä kanteen. Katso kuvaa "H".
4. Työnnä leikkuuyksikköä laitteen oikean puolen alta.
5. Pane **leikkurin käyttöhihna (7) kiristyspyörän (8)** ympäri. Katso kuvaa "G".

HUOMMAA: Varmista, että leikkurin käyttöhihnan "V"-puoli on kiristyspyörää vasten. Varmista myös, että leikkurin käyttöhihna ei ole kiertynyt.

6. Kiinnitä **etumainen ripustin (9)** akselin tukeen. Katso kuvaa "F".
7. Varmista, että leikkurin käyttöhihna (7) on kiristyspyörän (8) ja kahden hinnanohjaimen (10) välissä. Katso kuvaa "G".
8. Kiinnitä **ripustimet (4)** nostinkokonaisuuteen. Kiinnitä sokkakiiloilla ja aluslevyillä. Katso kuvia "A" ja "B".

F-050744L

9. Kiinnitä oikea ja vasen **säätimen varsi (3)** riippu-ulokkeisiin. Kiinnitä sokkakiiloilla ja aluslevyillä. Katso kuvia "C" ja "D".
10. Kiinnitä **jousi (5) terän säätövarteen (6)**. Katso kuvaa "E".
11. Siirrä **terän toimintasäädin "KÄYNNISTÄ"**-asentoon. Varmista, että **leikkurin käyttöhihna on hinnanohjaimien sisäpuolella**.
12. Varmista, että leikkuuyksikkö on suorassa. Katso ohjeet kohdasta "Leikkuuyksikön suoristaminen".
13. (**kuva NO TAG**) Kiinnitä **johtopyörät (12) akselipultteihin (11)** kiinnikkeillä. Katso yksityiskohtaa "I".
14. Tarkista terän toimintasäätimen toiminta. Katso ohjeet kohdasta "Terän toimintasäätimen säätäminen".

Istuimen asentaminen (kuva 2)

1. Poista varovasti **istuinta (1)** ympäröivä muovipussi.
2. Kohdista **tuolin saranoissa (2)** olevat reiät **istuimessa (1)** olevien reikien kanssa. Kiinnitä **istuin (1)** saranoihin (2) kiinnittimillä (4) ja (5).
3. Tarkista **istuimen (1)** työskentelyasento. Jos **istuinta (1)** tarvitsee säätää, niin löysää **kahata siipimutteria (5)**. Työnnä **istuinta (1)** eteen- tai taaksepäin pitkin **istuimen säätöuria (3)**. Kiristä **siipimutterit (5)**.

Ohjauspyörän asentaminen (kuva 3)

1. Varmista, että etupyörät osoittavat eteenpäin.
2. Pujota **suojaus (3) ohjauspylvään (2)** yli. Varmista, että **suojauksen (3)** kaulus on ylöspäin.
3. Työnnä **ohjauspyörä (1) ohjauspylvääseen (2)**.
4. Kiinnitä **ohjauspyörä (1) ohjauspylvääseen (2) ruuvilla (4) ja aluslevyllä (6)**.
5. Joidenkin mallien varusteisiin kuuluu myös **upote (7)**. Kiinnitä **upote (7) ohjauspyörän (1)** keskelle.

Huoltovapaa akku (kuva 4)

TÄRKEÄÄ: Ennen akun kaapeleiden kytkemistä tarkista akun päiväys. Päiväys kertoo, onko akku ladattava.

1. Katso **akun (1)** päältä ja sivulta päiväyksen sijainti.
2. Jos **akku (1)** otetaan käyttöön ennen siihen merkittyä päiväystä, voidaan kaapelit kytkeä ilman **akun (1)** lataamista. Katso "Akun kaapeleiden kytkeminen".
3. Jos **akku (1)** otetaan käyttöön siihen merkityn päiväyksen jälkeen, on **akku (1)** ladattava. Katso "Huoltovapaan akun lataaminen".

Akun lataaminen (kuva 4)



VAROITUS: Tupakointi on kielletty akkua ladattaessa. Pidä akku pois kipinöiden ulottuvilta. Akkuhaposta tulevat kaasut voivat räjähtää.

1. Irrota **akku (1)** ja **akkuteline (3)**.
2. Poista akun navan suojus.

3. Käytä **akun (1)** lataamiseen 12 voltin akunlatauslaitetta. Lataa nopeudella 6 ampeeria tunnissa. Mikäli Sinulla ei ole akunlatauslaitetta, anna valtuutetun huoltopisteen ladata akku.
4. Asenna **akku (1)** ja **akkuteline (3)**. Varmista, että **positiivinen (+) napa (4)** on vasemmalta puolella.

Akun kaapeleiden asentaminen (kuva 4)



VAROITUS: Kipinöinnin estämiseksi kiinnitä ensin punainen kaapeli **positiiviseen (+) napaan** ja vasta sen jälkeen **musta kaapeli**.

1. Poista akun navan suojus.
2. Työnnä **navan suojus (2) punaiseen kaapeliin (5)** Kiinnitä **punainen kaapeli (5) positiiviseen (+) napaan (4)** käyttämällä **kiinnikkeitä (6)** ja (7).
3. Kiinnitä **musta kaapeli (8)** negatiiviseen (-) napaan käyttämällä **kiinnikkeitä (6)** ja (7).

Tarkista renkaat

Tarkista rengaspaineet. Liian suuri rengaspaine tekee ajoneuvon kulusta epätasaista. Väärä rengaspaine vaikuttaa myös leikkuukorkeuteen. Oikea rengaspaine on eturenkaissa 0,97 BAR (14 PSI) ja takarenkaissa 0,69 BAR (10 PSI). Renkasiin on pantu ylipainetta kuljetuksen ajaksi.

Tarkista leikkuuyksikön asento

Tarkista, että leikkuukorkeus on pysynyt oikeana. Aja lyhyt matka ja katso leikattua aluetta. Jos leikkuuyksikkö ei leikkaa tasaisesti, katso ohjeita tämän ohjekirjan "Kunnossapito"-luvun kohdasta "Leikkuuyksikön suoristaminen".

Moottorin esivalmistelu

HUOMAA: Moottori on toimitettu tehtaalta täytettynä öljyllä. Tarkista öljyn määrä. Lisää tarvittaessa.

Katso moottorin valmistajan antamista ohjeista käytettävän polttoaineen ja öljyn tyyppit. Ennen laitteen käyttöä lue turvallisuutta, käyttöä, kunnossapitoa ja säilytystä koskevat ohjeet.



VAROITUS: Seuraa moottorin valmistajan antamia ohjeita käytettävissä polttoaineen ja öljyn tyypeistä. Käytä aina turvallista polttoainesäiliötä. Tupakointi on aina kielletty laitetta tankattaessa. Älä lisää polttoainetta suljetussa tilassa. Ennen polttoaineen lisäämistä sammuta moottori ja anna sen jäähtyä useita minuutteja.

HUOMAA: Todellinen teho on todennäköisesti pienempi käyttörajoitusten ja ympäristötekijöiden vuoksi.

Tärkeää! Ennen nurmenleikkuun aloittamista

- Tarkista moottoriöljyt.
- Täytä polttoainesäiliö bensiinillä.
- Tarkista rengaspaineet.
- Tarkista leikkuuyksikön asento.
- Kiinnitä akkukaapelit.

KÄYTTÖ

HUOMAA: Kuvat ja kuvamerkit alkavat sivulta 2.

Hallintalaitteiden sijainti (kuva 5)

Terän toimintasäädin (1): Käytä terän toimintasäädintä terän pyörimisen aloittamiseksi ja lopettamiseksi.

Jarrupoljin (2): Käytä jarrupoljinta nopeisiin pysähdyksiin.

Ajovalojen kytkin (3): Ajovalojen kytkin on virtalukossa. Sytytä valot moottorin ollessa käynnissä kääntämällä virta-avain valoasentoon.

Virtakytkin (3): Käynnistä ja sammuta moottori virtakytkimestä.

Nopeudensäätöpoljin (4): Käytä nopeudensäätöpoljinta laitteen nopeuden ja kulkusuunnan muuttamiseen.

Korkeuden säädin (5): Korkeuden säätimellä voit muuttaa leikkuukorkeutta.

Seisontajarrun kytkin (6): Lukitse jarrut seisontajarrun kytkimellä poistuessa traktorista.

Kaasuvipu (7): Kaasuvivulla voit suurentaa tai pienentää moottorin käyntinopeutta.

Automaattikytkin (8): Kytke voimansiirto irti käyttämällä istuimen alla sijaitsevaa automaattikytkintä.

Lisälaitteet

Tässä koneessa voidaan käyttää monia erilaisia lisälaitteita. Tämä traktori voi vetää esim. nurmikon lakaisinta, nurmikon ilmastinta tai kylvökoneita. Traktorissa ei kuitenkaan voida käyttää sellaisia vedettäviä laitteita, jotka tunkeutuvat maahan, kuten aura, lautasäes tai kultivaattori.

Perävaunun ja perässä vedettävien lisälaitteiden suurin sallittu paino on 113 kg.

Kaasuvivun käyttö (kuva 5)

Käytä kaasuvivua (7) moottorin käyntinopeuden lisäämiseen ja pienentämiseen.

1. "NOPEA"-asento on merkitty pykälällä. Normaalkäytössä ja käyttäessäsi ruohonkerääjää pidä vipu "NOPEA"-asennossa. Kaasuvivun ollessa tässä asennossa myös akku latautuu paremmin ja moottorin jäähdytys toimii tehokkaammin.
2. Moottorin säädöt on asetettu jo tehtaalla parasta suorituskykyä silmällä pitäen. Älä muuta säätöjä moottorin nopeuden lisäämiseksi.

Terän toimintasäätimen käyttö (kuva 5)

Käytä terän toimintasäädintä (1) terien käynnistämiseksi.

1. Varmista ennen moottorin käynnistämistä, että terän toimintasäädin (1) on "POIS KÄYNNISTÄ" -asennossa.
2. Siirrä terän toimintasäädin (1) "KÄYNNISTÄ" -asentoon terien käynnistämiseksi.

HUOMAA: Jos moottori sammuu, kun käynnistät terät, niin istuimen turvakytkin ei ole kytketty. Varmista, että istut keskellä istuinta.

F-050744L

3. Kun haluat pysäyttää terät, niin siirrä terän toimintasäädin (1) "POIS KÄYNNISTÄ" -asentoon. Ennen kuin poistut kuljettajan istuimelta varmista, että terät ovat lopettaneet pyörimisen.
4. Siirrä terän toimintasäädin (1) "POIS KÄYNNISTÄ" -asentoon ennen jalkakäytävän tai tien ylittämistä.



VAROITUS: Pidä aina kädet ja jalat pois teristä, suojuksen aukoista ja leikkuukoneistosta, kun moottori on käynnissä.

Nopeudensäätöpolkimen käyttö (kuva 5)

Laitteen voimansiirtojärjestelmä käyttää hydrostaattista automaattivaihteistoa. Hydrostaattivaihteistoa on erittäin helppo käyttää. Tällaisessa voimansiirtojärjestelmässä ei tarvita vaihdetankoa eikä kytkinpoljinta.

Nopeutta ja kulkusuuntaa hallitaan yhdellä nopeudensäätöpolkimella (4), jota käytetään oikealla jalalla. Älä käytä vasenta jarrupoljinta normaalissa käytössä. Käytä vasenta jarrupoljinta vain nopeisiin pysähdyksiin hätätilanteissa.

Ajaminen eteenpäin

1. (Kuva 20) Automaattikytkimen (1) on oltava "AJO"-asennossa (2).
2. Nosta jalkasi hitaasti jarrupolkimelta.
3. Siirrä kaasuvipu "NOPEA"-asentoon.
4. (Kuva 19) Paina nopeudensäätöpoljinta (1) hitaasti eteenpäin (4) halutulle nopeudelle.
5. Nopeuden lisäämiseksi paina nopeudensäätöpoljinta (1) hitaasti eteenpäin. Pienennä nopeutta vapauttamalla nopeudensäätöpoljinta (1) hitaasti, kunnes haluttu nopeus on saavutettu.

Ajaminen taaksepäin

1. Katso taakse.
2. Paina nopeudensäätöpoljin (1) hitaasti "PERUUTUS"-asentoon (2).

Ajosuunnan vaihtaminen

VAROITUS: Vaihda ajosuuntaa käyttämällä vain nopeudensäätöpoljinta. Älä käytä vasenta jarrupoljinta ajosuuntaa vaihtaessasi.

1. Siirrä jalkasi hitaasti pois nopeudensäätöpolkimelta (1). Nopeudensäätöpoljin (1) palautuu automaattisesti "VAPAA"-asentoon (3).
2. Laitteen pysähtyttyä paina nopeudensäätöpoljinta (4) hitaasti haluttuun suuntaan.

Voimansiirron irtikytkeminen (kuva 20)

Laitteen työntämiseksi kytke voimansiirto irti käyttämällä automaattikytkintä (1). Automaattikytkin (1) on istuimen alla.

1. Moottorin on oltava sammutettuna.
2. Nosta istuin. Automaattikytkin (1) on istuimen alla.
3. Siirrä ja lukitse automaattikytkin (1) "TYÖNTÖ"-asentoon (3). Voimansiirto on nyt kytketty irti ja ajoneuvoa voi työntää.

HUOMAA: Kylmässä ilmassa jäykkä vaihteistossa oleva öljy voi tehdä ajoneuvon työntämisestä vaikeaa.

4. Voimansiirron kytkemiseksi vapauta automaattikytkin (1). Voimansiirto on nyt kytketty ja valmiina käyttöön.

Seisontajarrun käyttö (kuva 5)

1. Paina jarrupoljin (2) eteenpäin pohjaan asti.
2. Nosta seisontajarrun kytkin (6).
3. Siirrä jalkasi pois jarrupolkimelta (2) ja vapauta sitten seisontajarrun kytkin (6). Varmista, että seisontajarru pitää ajoneuvon paikallaan.
4. Seisontajarrun (6) vapauttamiseksi paina jarrupoljin (2) eteenpäin pohjaan asti. Seisontajarru vapautuu automaattisesti.



VAROITUS: Ennen kuljettajan paikalta poistumista kytke seisontajarru. Siirrä terän toimintasäädin "POIS KÄYNNISTÄ"-asentoon. Sammuta moottori ja irrota virta-avain.

Leikkuukorkeuden säätäminen (kuva 5)

Leikkuukorkeuden muuttamiseksi nosta tai laske korkeuden säädintä (5) seuraavasti.

1. Siirrä korkeuden säädintä (5) eteenpäin leikkuuyksikön laskemiseksi ja vastaavasti taaksepäin leikkuuyksikön nostamiseksi.
2. Ajaessasi tiellä tai jalkakäytävällä siirrä korkeuden säädin (5) korkeimpaan asentoon ja terän toimintasäädin (1) "POIS KÄYNNISTÄ" -asentoon.

Laitteen pysäyttäminen (kuva 5)

1. Siirrä jalkasi hitaasti pois nopeudensäätöpolkimelta (1). Nopeudensäätöpoljin (1) palautuu automaattisesti "VAPAA"-asentoon, ja ajoneuvo pysähtyy.
2. Siirrä terän toimintasäädin (1) "POIS KÄYNNISTÄ" -asentoon.
3. Kytke seisontajarru (6).



VAROITUS: Varmista, että seisontajarru pitää ajoneuvon paikallaan.

4. Siirrä kaasuvipu (7) "HIDAS"-asentoon.
5. Sammuta moottori kääntämällä virta-avain (3) "VIRTA POIS" -asentoon.

Ajoneuvon kuljettaminen

Ajoneuvon kuljettamiseksi seuraa seuraavia ohjeita.

1. Siirrä terän toimintasäädin "POIS KÄYNNISTÄ" -asentoon.
2. Siirrä korkeuden säädin korkeimpaan asentoon.
3. Siirrä kaasuvipu "HIDAS"- ja "NOPEA"-asentojen välille.
4. Paina nopeudensäätöpoljinta hitaasti eteenpäin halutulle nopeudelle.

Ajoneuvon käyttö leikkuuyksikön kanssa

TÄRKEÄÄ: Ajaessasi leikkuuyksikön kanssa pidä kaasuvipu aina "NOPEA"-asennossa.

1. Käynnistä moottori.
2. Siirrä korkeuden säädin halutun leikkuukorkeuden kohdalle. Ruohikon ollessa paksua tai pitkää leikkaa se ensin käyttämällä korkeinta asentoa ja vasta sen jälkeen halutulla, alemmalla asennolla.
3. Siirrä kaasuvipu "HIDAS"-asentoon.
4. Siirrä terän toimintasäädin hitaasti "KÄYNNISTÄ"-asentoon.
5. Siirrä kaasuvipu "NOPEA"-asentoon.
6. Paina nopeudensäätöpoljinta hitaasti eteenpäin halutulle nopeudelle.

HUOMAA: Leikatessasi paksua nurmea tai käyttäessäsi ruohonkerääjää käytä hidasta nopeutta.

- Varmista, että leikkuukorkeus on yhä oikea. Leikkaa pieni alue ja tarkista leikkuujälki. Mikäli leikkuuyksikkö ei leikkaa tasaisesti, niin katso ohjeita Huolto-osan kohdasta "Leikkuuyksikön suorittaminen".



VAROITUS: Aja turvallisella nopeudella, jotta voit hallita ajoneuvon.

Käyttö mailla



VAROITUS: Älä aja ylös tai alas mäkiä, jotka ovat liian jyrkkiä peruutettaviksi suoraan ylöspäin. Äläkä aja koskaan rinteiden poikki.

- Sääda nopeutta käyttämällä vain nopeudensäätöpoljinta. Älä käytä jarrupoljinta mäkiä ajaessasi.
- Onnettomuuksien välttämiseksi käytä nopeudensäätöpoljinta hitaasti. Älä tee äkillisiä käännöksiä tai muuta kulkunopeutta äkisti.
- Rinnettä alaspäin ajaessasi pienennä kulkunopeutta vapauttamalla nopeudensäätöpoljinta hitaasti, kunnes ajoneuvo on hidastunut halutulle nopeudelle.

Pysähtyminen maässä

- Vältä mäkiin pysähtymistä. Jos joudut pysähtymään nopeasti hätätapauksessa, niin siirrä oikea jalkasi pois nopeudensäätöpolkimelta ja paina nopeasti vasenta jarrupoljinta.
- Kytke seisontajarru.
- Ennen istuimelta poistumistasi siirrä kaasuvipu "HIDAS"-asentoon ja terän toimintasäädin "POIS KÄYNNISTÄ" -asentoon, sammuta moottori ja kytke seisontajarru.

Käytön aloittaminen maässä

- Käynnistä moottori.
- Siirrä terän toimintasäädin "KÄYNNISSÄ" -asentoon.
- Siirrä kaasuvipu "NOPEA"-asentoon.
- Paina jarrupoljin pohjaan ja vapauta seisontajarru. Seisontajarrua vapauttaessasi paina nopeudensäätöpoljin halutulle nopeudelle.



Seisontajarrua vapauttaessasi paina hitaasti nopeudensäätöpoljinta. Seisontajarrun on oltava kytkettynä irti, ennen kuin nopeudensäätöpoljin pystyy kytkemään voimansiirron.

Ennen moottorin käynnistämistä

Tarkista öljyt

HUOMAA: Moottori on toimitettu tehtaalta täytettynä öljyllä. Tarkista öljyn määrä. Lisää tarvittaessa. Katso moottorin valmistajan antamia polttoaine- ja öljytyyppejä koskevia ohjeita.

- Varmista, että laite on tasaisella alustalla.
- HUOMAA:** Älä tarkista öljyn määrää moottorin ollessa käynnissä.
- Tarkista öljyt. Seuraa moottorin valmistajan antamia ohjeita.
- Lisää öljyä tarvittaessa mittatikun "FULL"-merkkiin asti. "ADD"-merkistä "FULL"-merkkiin tarvittava öljymäärä on ilmoitettu mittatikussa. Älä lisää öljyä liikaa.

F-050744L

Lisää polttoainetta



VAROITUS: Käytä aina turvallista polttoainekanisteria. Älä tupakoi polttoaineen lisäämisen aikana. Älä lisää polttoainetta sisätiloissa. Ennen polttoaineen lisäämistä sammuta moottori ja anna sen jäähtyä muutama minuutti.

(Kuva 6) Täytä polttoainesäiliö (1) "FULL"-merkkiin (2) asti tavallisella lyijyttömällä bensiinillä. Älä käytä korkeaoktaanista lyijytöntä bensiiniä. Varmista, että bensiini on tuoretta ja puhdasta. Lyijypitoinen bensiini lisää karstoittumista ja lyhentää venttiilien ikää.

Moottorin käynnistäminen



VAROITUS: Sähköjärjestelmän osana on käyttäjän läsnäolon valvontalaite, johon kuuluu istuimen tuntoelin. Tämä laitteisto kertoo sähköjärjestelmälle, onko kuljettaja istuimellaan. Järjestelmä pysäyttää moottorin, kun kuljettaja nousee istuimeltaan. Oman turvallisuutesi vuoksi tarkista aina, että tämä järjestelmä toimii oikein.

HUOMAA: Moottori ei käynnisty, ellet paina kytkin- ja jarrupoljinta ja siirrä terän toimintasäädintä "POIS KÄYNNISTÄ" -asentoon.

- Paina eteenpäin pohjaan asti. Pidä jalkasi polkimella.
- Varmista, että terän toimintasäädin on "POIS KÄYNNISTÄ" -asennossa.
- Siirrä kaasuvipu eteen "RIKASTIN"- tai "NOPEA"-asentoon. Eräissä malleissa on erillinen rikastinvipu. Vedä tämä vipu äärimmäiseen "RIKASTIN"-asentoon.
- Käännä virta-avain "KÄYNNISTYS"-asentoon.

HUOMAA: Jos moottori ei käynnisty neljän tai viiden yrityksen jälkeen, niin siirrä kaasuvipu "NOPEA"-asentoon. Yritä käynnistää moottori uudelleen. Jos moottori ei käynnisty vielä kukaan, niin katso VIANETSINTÄ OPASTA.

- Siirrä kaasuvipu hitaasti "HIDAS"-asentoon.
- Kuumaa moottoria käynnistäessäsi aseta kaasuvipu "HIDAS"- ja "NOPEA"-asentojen väliin.

Ruohonleikkuu- ja -keruuhjeita

- Leikkuujälki ja nurmikko näyttävät paremmilta, kun leikkuuyksikkö on oikeassa asennossa. Katso leikkuuyksikön säätämishjeet Huolto-osan kohdasta "Leikkuuyksikön suorittaminen".
- Tarkista, että rengaspaineet ovat oikein, jotta leikkuuyksikkö leikkaa tasaisesti.
- Tarkista terä jokaisen leikkuukerran yhteydessä. Jos terä on vääntynyt tai vioittunut, uusi se välittömästi. Tarkista myös, että terän kiinnitysmutteri on kireällä.
- Pidä terät terävinä. Kuluneet terät tekevät ruohon kärjistä ruskeita.
- Älä leikkaa tai pussita märkää ruohoa. Märkä ruoho ei poistu koneesta kunnolla. Anna ruohon kuivua ennen leikkaamista.
- Käytä leikkuuyksikön vasenta sivua esteiden ympärillä kasvavan ruohon leikkaamiseen.
- Poista leikattu ruoho jo ajatulle alueelle. Näin poistettu ruohomassa leviää paremmin.

- Suuria alueita leikatessasi käänny ensin oikealle niin, että leikattu ruoho ei poistu kohti pensaita, aitoja, jalkakäytäviä jne. Kierroksen tai kahden jälkeen vaihda ajosuunta päinvastaiseksi: käänny aina vasempaan, kunnes alue on leikattu.
- Jos ruohikko on erittäin korkeaa, aja se kahdesti moottorin rasituksen pienentämiseksi. Leikkaa ensin käyttämällä korkeinta asentoa ja vasta sen jälkeen halutulla, alemmalla asennolla.
- Moottorin paremman toimimisen ja leikatun ruohon tasaisemman poiston vuoksi käytä moottoria pitämällä kaasuvipu aina "NOPEA"-asennossa.
- Ruohonkerääjää käyttäessäsi pidä moottorin kaasuvipu "NOPEA"-asennossa ja nopeudensäätöpoljin painettuna 1/3-1/2 eteenpäin.
- Puhdista leikkuuyksikön pohja ja päällinen jokaisen käyttökerran jälkeen. Tämä lisää laitteen suorituskykyä. Puhdas leikkuuyksikkö pienentää myös palovaaraa.

KUNNOSSAPITO

HUOMAA: Kuvat ja kuvamerkit alkavat sivulta 2.

Yleiset suositukset

- Omistajan velvollisuutena on pitää huolta tästä laitteesta. Asianmukainen huolenpito pidetään laitteen käyttöikä ja on myös edellytyksenä takuun voimaosololle.
- Tarkista syytystulppa ja jarrut, voitele ajoneuvo ja puhdista ilmansuodatin kerran vuodessa.
- Tarkista kiinnikkeet. Varmistu siitä, että ne ovat kaikki tiukalla.
- Seuraa "Kunnossapito"-osassa annettuja ohjeita pitääksesi laite hyvässä toimintakunnossa.



VAROITUS: Irrota aina syytystulpan johto ennen laitteen tarkistamista, säätämistä tai korjaamista. Irrota johto syytystulpastasta, jotta moottori ei käynnisty vahingossa.

HUOMAA: Vääntömomentti ilmaistaan Newton metreinä (Nm). Tämä mitta kertoo, kuinka tiukalla mutterin tai pultin on oltava. Vääntömomentti mitataan momenttiavaimella.

Tarkista terä (kuva 7)



VAROITUS: Irrota aina syytystulpan johto ennen terän tarkistamista tai irrottamista. Pysäytä moottori, jos terä osuu johonkin maassa olevaan esineeseen. Tarkista syntynyt vahinko. Terän reunat ovat terävät. Teriä käsitellessäsi käytä käsineitä tai kankaan palaa käsiesi suojana.

Terän (1) pitäminen terävänä ja sen kunnon säännöllinen tarkistaminen takaavat, että se leikkaa paremmin ja on turvallisempi käyttää. Tarkista terän kuluminen, murtumat ja muut vauriot säännöllisesti. Tarkista myös **terän (1) kiinnitysmutteri (3)** säännöllisesti. Pidä **mutteri (3)** kireällä. Mutterin osuessa kiveen tai muuhun vastaavaan esineeseen sammuta moottori. Irrota johto syytystulpastasta. Katso, onko terä taipunut tai vahingoittunut. Tarkista, onko **terän sovitin (5)** vahingoittunut. Vaihda kaikki vahingoittuneet osat uusiin, alkuperäisiin varaosiin ennen koneen käyttöönottoa. Ota yhteys alueesi

valtuutettuun huoltokorjaamoon. Anna valtuutetun huoltohenkilön tarkistaa ja tarvittaessa uusia terä joka kolmas vuosi käyttämällä alkuperäisiä varaosia.

Terän irrottaminen ja asentaminen (kuva 7)

1. Irrota leikkuuyksikkö. Katso ohjeet kohdasta "Leikkuuyksikön irrottaminen".
2. Estä terän pyöriminen käyttämällä puun kappaletta.
3. Irrota **terää (1)** kiinni pitävä **mutteri (3)**.
4. Tarkista **terä (1)** ja **terän sovitin (5)** kohdassa "Terän tarkistaminen" annettujen ohjeiden mukaan. Vaihda pahasti kulunut tai vaurioitunut terä uuteen alkuperäisterään. Ota yhteys alueesi valtuutettuun huoltokorjaamoon.
5. Puhdista leikkuuyksikön pohja ja päällinen. Poista kaikki ruoho ja roskat.
6. Asenna **terä (1)** ja **terän sovitin (5)** akseliin (6).
7. Asenna **terä (1)** niin, että sen **ylöspäin taivutetut reunat (7)** ovat ylöspäin. Jos **terä** asennetaan ylösalaisin, **se** ei leikkaa kunnolla ja voi aiheuttaa onnettomuuden.
8. Kiinnitä **terä (1)** alkuperäisillä aluslevyillä ja **mutterilla (3)**. Varmista, että **Bellevillen jostolaatta (2)** on **terää (1)** vasten.



VAROITUS: Pidä **terää (1)** kiinni pitävä **mutteri (3)** aina kireällä. Löysä **mutteri tai terä** voivat aiheuttaa onnettomuuden.

9. Kiristä **terää (1)** kiinni pitävä **mutteri (3)** vääntömomentilla 41,5 Nm (30 ft-lbs).
10. Asenna leikkuuyksikkö. Katso kohtaa "Leikkuuyksikön irrottaminen".

Terän toimintasäätimen säätäminen



VAROITUS: Onnettomuuksien välttämiseksi **terän toimintasäätimen on toimittava oikein.**

Normaalikäytössä terän toimintasäädintä ei tarvitse säätää. Mikäli leikkuutulokset kuitenkin heikenevät tai leikkuujälki on huonoa, toimi seuraavasti.

1. Leikatessasi varmista, että kaasuvipu on "NOPEA"-asennossa.
2. (Kuva 8) Siirrä terän toimintasäädin "POIS KÄYNNISTÄ" -asentoon (1).
3. Sammuta moottori. Irrota johto sytytystulppasta.
4. Tarkista terä(t). Pidä terä(t) kunnossa. Leikkaaminen tylsällä terällä saa ruohon päät muuttumaan ruskeiksi.
5. (Kuva 9) Irrota **toimintasäätimen jousi (2)** säätimen vipuvarresta (1). Siirrä **jousi (2)** **keskimmäiseen reikään (4)**. Tämä toimenpide kiristää leikkurin käyttöhihnaa.
6. Kiinnitä johto takaisin sytytystulppaan. Leikkaa lyhyt matka ja tarkista leikkuujälki. Siirrä tarvittaessa **toimintasäätimen jousi (2)** **alimpaan reikään (5)**.
7. Tarkista leikkuujälki uudelleen. Jos se ei ole parantunut, niin vaihda leikkurin käyttöhihna. Katso ohjeet kohdasta "Leikkurin käyttöhihnan vaihtaminen". Jos käyttöhihnan vaihtaminen ei korjaa ongelmaa, niin toimita laite valtuutettuun huoltopisteeseen.
8. Siirrä terän toimintasäädin "POIS KÄYNNISTÄ" -asentoon. Sammuta moottori.

F-050744L

9. (Kuva 10) Tarkista terän jarrujen toiminta. Pyöritä hihnapyöriä kädellä. Varmista, että **jarrulevyt (1)** ovat painautuneet tiukasti hihnapyöriä vasten.



VAROITUS: Mikäli **jarrulevyt (1)** eivät painaudu tiukasti hihnapyöriä vasten, niin toimita laite valtuutettuun huoltopisteeseen.

10. (Kuva 8) Siirrä terän toimintasäädin "KÄYNNISTÄ" -asentoon (2).
11. (Kuva 10) Tarkista **terän jarrujen (7)** jarrulevyt. Jos ne ovat erittäin kuluneet tai vahingoittuneet, vaihda jarrulevyt. Sopivat varaosat ja neuvoja saat valtuutetusta huoltopisteestä.
12. Kiinnitä johto takaisin sytytystulppaan. Leikkaa lyhyt matka ja tarkista terän toimintasäätimen toiminta.
13. Siirrettyäsi terän toimintasäätimen "POIS KÄYNNISTÄ" -asentoon pitäisi kaiken liikkeen loppua viiden sekunnin kuluessa. Jos hihnojen tai terien liikkuminen jatkuu, siirrä toimintasäädin käyntiin ja pois käynnistä viisi kertaa. Tämä poistaa ylimääräisen kumin uudesta leikkurin käyttöhihnasta. Jos tarvitset apua, ota yhteys valtuutettuun huoltopisteeseen.
14. (Kuva 9) Jos uusit leikkurin käyttöhihnan, siirrä **toimintasäätimen jousi (2)** **ylimpään reikään (3)**.

Käyttöhihnan tarkistaminen ja säätäminen (kuva 18 ja kuva 21)

Kun ajoneuvon käyttöhihna on liian löysällä, ajoneuvo ei liiku eteenpäin tai hihna alkaa luistaa ajettaessa ylämäkeen tai vedettäessä raskasta kuormaa.

TÄRKEÄÄ: Käytä laitetta aina kaasuvivun ollessa "NOPEA"-asennossa. Jos moottorin käyntinopeus on liian alhainen, moottori ja voimansiirto voivat kuumentua liikaa ja aiheuttaa ongelmia, jotka muistuttavat löystyneen käyttöhihnan aiheuttamia ongelmia.



VAROITUS: Irrota aina sytytystulppan johto ennen laitteen tarkistamista, säätämistä tai korjaamista. Irrota johto sytytystulppasta, jotta moottori ei käynnisty vahingossa.

1. (Kuva 21) Tarkasta käyttöhihnan (6) reititys. Varmista, että **käyttöhihna (6)** on asennettu oikein ja että se on **hihnanohjainten (7)** sisällä.
2. **Kuva 18** Irrota kytkimen **yhdystanko (1)** välivarresta (2).
3. (Kuva 21) Kohdista **jarruvivussa (3)** oleva reikä rungossa olevan reiän kanssa. Pidä **jarruvivua (3)** paikallaan **6 mm:n tapilla tai pultilla (4)**.
4. **Kuva 18** Käännä kytkimen yhdystankoa (1), kunnes **kytkimen yhdystangossa (1)** oleva **kiinnitysreikä (5)** on kohdakkain **välivarresta (2)** olevan **kiinnitysreiän (5)** kanssa.
5. Kiinnitä **kytkimen yhdystanko (1)** välivarreen (2).
6. (Kuva 21) Irrota **6 mm:n tappi tai pultti (4)**.
7. Jos hihna liukuu vielä hihnan säätämisen jälkeen, niin ajoneuvon käyttöhihna on kulunut ja se on uusittava. Katso ohjeet kohdasta "Ajoneuvon käyttöhihnan uusiminen".

Jarrun tarkistaminen ja säätäminen (kuva 12 ja 20)

(Kuva 20) Kytke seisontajarru. Siirrä **automaattikytkin (1)** **TYÖNTÖ-asentoon (3)**. Työnnä laitetta. Jos takapyörät pyörivät, säädä tai vaihda jarrulevyt.

Säädä **jarru (4)** seuraavasti:

1. (Kuva 12) **Jarru (4)** sijaitsee **vaihteiston (5)** oikealla puolella.
2. (Kuva 20) Varmista, että seisontajarru on kytketty ja että **automaattikytkin (1)** on **TYÖNTÖ-asennossa (3)**.
3. (Figure 12) Turn the **hex nut (6)** in a clockwise direction until the rear wheels do not turn when the unit is pushed forward.
4. Vapauta seisontajarru ja työnnä ajoneuvoa. Jos ajoneuvo ei liiku, käännä **kuusiomutteria (6)** vastapäivään, kunnes ajoneuvo liikkuu.
5. Kytke seisontajarru. Työnnä ajoneuvoa. Jos takapyörät eivät pyöri, niin **jarru (4)** on oikein säädetty. Vapauta seisontajarru.



VAROITUS: Jos et pysty säätämään jarrua oikein, uusi jarrulevyt. Sopivat varaosat ja neuvoja saat valtuutetusta huoltopisteestä.

Akun irrottaminen (kuva 4)

Akun (1) lataamiseksi tai puhdistamiseksi irrota **akku (1)** ajoneuvosta seuraavasti.



VAROITUS: Kipinöiden välttämiseksi irrota **musta akku kaapeli (8)** negatiivisesta (-) navasta ennen **punaisen kaapelin (5)** irrottamista.



VAROITUS: Akku sisältää rikkihappoa, joka on haitallista iholle, silmille ja vaatteille. Jos happoa joutuu päällesi tai vaatteille, pese se vedellä.

1. Irrota **musta kaapeli (8)** negatiivisesta (-) navasta.
2. Irrota **punainen kaapeli (8)** positiivisesta (+) navasta (4).
3. Nosta **akkuteline (3)** ja **akku (1)** pois ajoneuvosta.

Akun lataaminen (kuva 4)



VAROITUS: Tupakointi on kielletty akkua ladattaessa. Pidä **akku pois kipinöiden ulottuvilta**. Akkuhapon kaasut voivat aiheuttaa räjähdyksen.

1. Ennen **akun (1)** lataamista irrota se ajoneuvosta.
2. Käytä **akun (1)** lataamiseen 12 voltin akunlatauslaitetta. Lataa nopeudella 6 ampeeria tunnissa.
3. Asenna **akku (1)** paikoilleen.



VAROITUS: Kipinöiden välttämiseksi kiinnitä **punainen kaapeli positiiviseen (+) napaan** ennen **mustan kaapelin kiinnittämistä**.

4. Kiinnitä **punainen kaapeli (5)** **positiiviseen (+) napaan (4)** kuvan mukaisesti kiinnikkeiden avulla.
5. Kiinnitä **musta kaapeli (8)** negatiiviseen (-) napaan kuvan mukaisesti kiinnikkeiden avulla.

Johtopyörien säätäminen

Johtopyörien akselipultit on asennettu ALHAISEEN leikkuuasentoon. Johtopyörien asentoa muuttaaksesi siirrä akselipultteja seuraavalla tavalla.

TÄRKEÄÄ: Ennen kuin voit säätää johtopyöriä on sinun toimittava seuraavasti. Varmista, että leikkuuyksikkö on suorassa. Varmista, että leikkuukorkeus on asetettu haluamallesi tasolle. Leikkaa pieni alue tasaisella alustalla ja tarkasta leikkuujälki. Jos leikkuujälki ei ole tasaista, katso ohjeita kohdasta "Leikkuuyksikön suoristaminen."



VAROITUS: Irrota aina sytytystulpan johto ennen laitteen tarkistamista, säätämistä tai korjaamista. Irrota johto sytytystulpasta, jotta moottori ei käynnisty vahingossa.

1. (Kuva 22, yksityiskohta "I") Irrota johtopyörät (12) ja akselipultit (11).
2. (Kuva 13) Leikkaa pieni alue tasaisella alustalla ja tarkasta leikkuun tasaisuus ja korkeus. Katso leikkuukorkeuden säätimen (1) asennon numero (3).
3. (Kuva 22, yksityiskohta "I") Katso molempia johtopyörien ripustimia (13). Kummassakin ripustimessa on kolme reikää ja numero kunkin reiän vieressä. Leikkuukorkeuden säätimen asennon numeron on vastattava käytettävää johtopyörien ripustimen (13) reiän numeroa.

HUOMAA: Pyörän ripustimen reiän numero 1 vastaa korkeuden säätimen asentoa 1, pyörän ripustimen reiän numero 2 vastaa korkeuden säätimen asentoa 2 ja pyörän ripustimen reiän numero 3 vastaa korkeuden säätimen asentoa 3, 4, 5 ja 6.

4. Asenna akselipultit (11) johtopyörien ripustimiin (13). Käytä oikeita reikiä edellä annettujen ohjeiden mukaisesti.

HUOMAA: Jos leikkuukorkeutta muutetaan käyttämällä korkeuden säädintä, niin johtopyörät on siirrettävä vastaaviin ripustimen reikiin, jotta leikkuujälki säilyisi tasaisena.

Leikkuuyksikön suoristaminen (kuva 13 ja kuva 14)

Kun leikkuuyksikkö on vaakasuorassa, sen terät leikkaavat helpommin ja leikattu nurmikenttä näyttää paremmalta.



VAROITUS: Irrota aina sytytystulpan johto ennen laitteen tarkistamista, säätämistä tai korjaamista. Irrota johto sytytystulpasta, jotta moottori ei käynnisty vahingossa.

1. Varmista, että laite on tasaisella alustalla.
2. Tarkista rengaspaineet. Jos paineet eivät ole oikein, leikkuuyksikkö ei leikkaa tasaisesti. Oikea rengaspaine on eturenkaissa 0,97 BAR (14 PSI) ja takarenkaissa 0,69 BAR (10 PSI).
3. Irrota johtopyörät, mikäli ne kuuluvat varustukseen.
4. (Kuva 13) Siirrä korkeuden säädin (1) korkeudensäätöasentoon (2).



VAROITUS: Korkeuden säädin (1) on jousikuormitteinen. Varmista, että säädin (1) on lukittuna korkeudensäätö-asentoon (2).

5. (Kuva 14) Avaa vasenta ja oikeaa säätönuppia (1). Paina alas leikkuuyksikön kummaltakin puolelta. Varmista, että leikkuuyksikön molemmat puolet lepäävät tasaisella alustalla. Varmista myös, että nostolinjat ovat löysällä ja pystyvät liikkumaan helposti ylös tai alas.

6. Paina nostolinkejä (2) alas ja kiristä vasen ja oikea säätönuppi (1). Käytä tarvittaessa ruuviavainta säätönuppien (1) kiristämiseen.
7. (Kuva 13) Nosta korkeuden säädintä (1) korkeudensäätöasennosta (2) leikkuukorkeusasettoon.
8. Asenna johtopyörät, mikäli ne kuuluvat varustukseen.
9. Leikkaa pieni alue. Toista säätötoimenpide, jos leikkauskorkeus ei ole tasainen.

Voitelukohteet (Kuva 15)



Mallit, joissa voitelunipat: Voitele rasvauspuristimella. Levitä rasva pensselillä osoitetulle alueelle. Voitele osoitetut alueet moottoriöljyllä.

HUOMAA: Rasvaa ohjauslaitteisto.

VAROITUS: Jos laitetta käytetään kuivilla, hiekkaisilla alueilla, on voiteluun käytettävä kuivagrafiittisuihkutinta.

Renkaiden tarkistaminen

Tarkista rengaspaineet. Liian korkeat rengaspaineet tekevät ajosta epätasaisen. Väärät rengaspaineet vaikuttavat myös leikkuujäljen tasaisuuteen. Oikea rengaspaine on eturenkaissa 0,97 BAR (14 PSI) ja takarenkaissa 0,69 BAR (10 PSI).

Ajoneuvon käyttöhihnan uusiminen

1. Irrota leikkuuyksikkö. Katso ohjeet kohdasta "Leikkuuyksikön irrottaminen".
2. (Kuva 16) Irrota keskimmäinen kiristyspyörä (4).
3. Irrota kiristyspyörän jousi (7).
4. Irrota kiristyspyörä (8) ja välikappale (9).
5. Irrota V-kiristyspyörä (5) ja välikappale (13).
6. Irrota ajoneuvon käyttöhihna (1) veto-pyörältä (6).
7. (Kuva 17) Irrota ajoneuvon käyttöhihna (1) pystyhihnapyörältä (2) vetämällä hihnan etupää pystyhihnapyörän (2) alta ja sitten takaisin pystyhihnapyörän ja ohjauslevyn (3) välistä.
8. (Kuva 11) Irrota suojaipelti (10).
9. Irrota kaksi ruuvia (11), jotka pitävät ohjausakselikokonaisuutta (12) kiinni. Nosta ohjauspyörää ja ohjausakselikokonaisuutta (12). Vedä ajoneuvon käyttöhihna (1) ohjausakselikokonaisuuden (12) alta.
10. Irrota ajoneuvon käyttöhihna (1). Oikean varaosan ja ohjeita saat valtuutetusta huoltopisteestä.
11. Asenna ajoneuvon käyttöhihna suorittamalla edellä olevat vaiheet päinvastaisessa järjestyksessä.
12. (Kuva 16) Tarkasta ajoneuvon käyttöhihnan (1) reititys. Varmista, että ajoneuvon käyttöhihna on asennettu oikein pystyhihnapyörille.
13. Tarkasta kytkimen säätö ennen laitteen käyttöä. Katso ohjeet kohdasta "Kytkimen tarkastaminen ja säätäminen".

14. Asenna leikkuuyksikkö paikalleen. Katso ohjeet kohdasta "Leikkuuyksikön kotolon asentaminen".

Leikkurin käyttöhihnan uusiminen (Kuva 10)

1. Irrota leikkuuyksikkö. Katso ohjeet kohdasta "Leikkuuyksikön irrottaminen".
2. Vedä hihnanpidin (1) pois kiristyspyörältä (2) ja irrota leikkurin käyttöhihna (3).
3. Vedä hihnanpidin (4) pois oikeanpuoleiselta akselipyörältä (5) ja irrota leikkurin käyttöhihna (3).
4. Vedä hihnanpidin (4) pois vasemmanpuoleiselta akselipyörältä (6) ja irrota leikkurin käyttöhihna (3). Uuden osan ja neuvoja saat alueesi valtuutetusta huoltopisteestä.
5. Asenna leikkurin käyttöhihna takaisin paikoilleen seuraamalla edellisiä ohjeita päinvastaisessa järjestyksessä.

Leikkuuyksikön irrottaminen (Kuva 22)

1. Siirrä terän toimintasäädin (1) "POIS KÄYNNISTÄ"-asentoon.
2. Siirrä korkeuden säädin (2) korkeuden säätö -asentoon.



Korkeuden säätimen vipu on jousikuormitettu. Varmista, että korkeuden säätimen vipu on lukittu KORKEUDEN SÄÄTÖ-asentoon.

3. Irrota sokkakiilat ja aluslevyt säätimen varista (3). Katso kuvat "C" ja "D".
4. Irrota sokkakiilat ja aluslevyt ripustimista (4). Katso kuvat "A" ja "B".
5. Irrota jousi (5) terän säätövarresta (6). Katso kuva "E".
6. Irrota etumainen ripustin (9) akselin tuesta. Katso kuva "F".
7. Irrota leikkurin käyttöhihna (7) kiristyspyörältä (8).
8. Vedä leikkuuyksikkö ulos ajoneuvon oikealta puolelta.
9. Asenna leikkuuyksikkö takaisin paikoilleen seuraamalla edellisiä ohjeita päinvastaisessa järjestyksessä.

Sulakkeiden vaihtaminen

Moottori ei käynnisty, jos sulake on palanut. Irrota sulake ja vaihda se uuteen 15 ampeerin autosulakkeeseen.

Säilytys (yli 30 päivää)

Pane ajoneuvo varastointikuntoon kunkin leikkukauden lopulla seuraavasti.

1. Tyhjennä kaasutin ja polttoainesäiliö polttoaineesta. Vaihda moottorin öljyt. Katso moottorin valmistajan antamia ohjeita.
2. Puhdista koko ajoneuvo.
3. Lataa akku.

Varaosien tilaaminen

Varaosat on kuvattu joko tämän käyttöohjekirjan viimeisillä sivuilla tai erillisessä varaosaluettelossa.

Käytä vain valmistajan hyväksymiä varaosia. Varaosanumeron lopussa oleva kirjain ilmaisee osan pintakäsittelyn. C tarkoittaa kromia, Z sinkkiä ja PA ostettavaa osakokonaisuutta. On tärkeää, että käytät näitä tunnuksia osia tilatessasi. Älä käytä lisälaitteita ja -varusteita, joita ei ole nimenomaisesti suositeltu käytettäväksi tämän laitteen kanssa. Saadaksesi oikeat varaosat on Sinun ilmoitettava myös leikkurisi tyyppinumero (katso nimilaatta).

Varaosat - moottorin, voimansiirron, vaihteiston ja tasauspyörästä osia lukuun ottamatta - ovat saatavissa liikkeestä, josta leikkuri on ostettu, tai liikkeen suosittelemasta huoltopisteestä.

Jos et pysty saamaan osia tai huoltoa edellä mainituista lähteistä, niin ota yhteys:

HAYTER LIMITED,
Service Department,
Spellbrook,
Bishop's Stortford,
Hertfordshire. CM23 4BU.

MURRAY, INC.

International Sales
P.O. Box 268
Brentwood, Tennessee USA 37024
1-800-251-8007
Fax (615) 373-6633 Vastapuheluja ei hyväksytä.

Varaosat moottoria, voimansiirtoa, vaihteistoa tai tasauspyörästä varten ovat saatavissa valmistajan valtuuttamasta huoltopisteestä, joiden yhteystiedot löydät puhelinluettelon keltaisilta sivuilta. Katso varaosien tilaamista koskevat ohjeet myös moottorin tai voimansiirron takuusta.

Tilausta tehdessäsi tarvitset seuraavat tiedot:

- (1) Tyyppinumero
- (2) Sarjanumero
- (3) Varaosanumero
- (4) Lukumäärä

VIANETSINTÄOPAS

ONGELMA: Moottori ei käynnisty.

1. Seuraa tämän oppaan kohdassa "Moottorin käynnistäminen" annettuja ohjeita.
2. Mallit, joissa sähkökäynnistys: puhdista akun navat. Kiristä kaapelit.
3. Tarkista, etteivät johdot ole löystyneet. Kiristä päätekytkimet. (Katso johtokaavio.)
4. Tyhjennä polttoainesäiliö. Puhdista polttoainejohdot. Vaihda polttoaineensuodatin.
5. Irrota sytytystulppa/-tulpat. Siirrä kaasuvipu "HIDAS"-asentoon. Käännä virta-avain "KÄYNNISSÄ"-asentoon. Yritä käynnistää moottori useamman kerran. Asenna sytytystulppa takaisin paikoilleen.
6. Vaihda sytytystulppa uuteen.
7. Säädä kaasutinta.

ONGELMA: Moottori ei pyöri.

1. Seuraa tämän oppaan kohdassa "Moottorin käynnistäminen" annettuja ohjeita.
2. Mallit, joissa sähkökäynnistys: Lataa akku.
3. Vaihda sulake.
4. Tarkista johdot, etteivät ne ole vioittuneet tai löystyneet. Korjaa vioittuneet johdot.
5. Mallit, joissa sähkökäynnistys: vaihda solenoidi. Mallit, joissa vetokäynnistys: vaihda moduuli.

ONGELMA: Moottorin käynnistyminen on vaikeaa.

1. Säädä kaasutinta.
2. Vaihda sytytystulppa uuteen.
3. Vaihda polttoaineensuodatin.

ONGELMA: Moottori käy epätasaisesti tai siitä häviää veto.

1. Tarkista öljyt.
2. Puhdista ilmansuodatin.
3. Puhdista ilmanottoaukko.
4. Vaihda sytytystulppa.
5. Moottori tekee liikaa töitä. Käytä pienempää vaihdetta.
6. Säädä kaasutinta.
7. Vaihda polttoaineensuodatin.

ONGELMA: Moottori käy epätasaisesti suuremmilla nopeuksilla.

1. Vaihda sytytystulppa.

2. Säädä kaasuvipua.
3. Puhdista ilmansuodatin.
4. Vaihda polttoaineensuodatin.

ONGELMA: Moottori pysähtyy, kun terät kytketään käyntiin.

1. Tarkista johdot, etteivät ne ole vioittuneet tai löystyneet. Korjaa vioittuneet johdot.
2. Ruohonkeräyssäiliö täytyy olla asennettuna (koskee vain mallia, jossa on takasyöttöinen ruohonkeräyssäiliö).

ONGELMA: Moottori pysähtyy rinteillä ajettaessa.

1. Aja rinteitä ylös ja alas, älä koskaan rinteeseen poikki sivusuunnassa.

ONGELMA: Moottori ei käy tyhjäkäynnillä.

1. Vaihda sytytystulppa.
2. Puhdista ilmansuodatin.
3. Säädä kaasutinta.
4. Säädä kaasuvipua.
5. Tyhjennä polttoainesäiliö. Puhdista polttoainejohdot. Vaihda polttoaineensuodatin.

ONGELMA: Moottorin kuumentuessa se menettää tehonsa.

1. Puhdista ilmanottoaukko.
2. Tarkista öljyt.
3. Säädä kaasutinta.
4. Vaihda polttoaineensuodatin.

ONGELMA: Liiallinen tärinä.

1. Vaihda terä.
2. Tarkista moottorin pulttien kireys.
3. Pienennä rengaspaineita.
4. Säädä kaasutinta.
5. Tarkista hihnojen ja vetopyörien kunto. Uusi vahingoittuneet osat.

ONGELMA: Ruoho ei poistu koneesta kunnolla.

1. Sammuta moottori. Puhdista leikkuuyksikkö.
2. Lisää leikkuukorkeutta.
3. Vaihda tai teroita terä(t).

4. Käytä hitaampaa vaihdetta.
5. Siirrä kaasuvipu "NOPEA"-asentoon.
6. Vaihda terän ohjauspyörän jousi.
7. Puhdista jatkoputki ja liitinputki (koskee vain mallia, jossa on takasyöttöinen ruohonkeräyssäiliö).

ONGELMA: Leikkuuyksikkö ei leikkaa tasaisesti.

1. Tarkista rengaspaineet.
2. Säädä leikkuuyksikön asentoa.
3. Tarkista etuakseli. Löysää akselin pulttia/pultteja, jos akseli ei liiku vapaasti.

ONGELMA: Terät eivät pyöri.

1. Tarkista leikkurin käyttöhihna. Varmista, että hihna on asennettu oikein.
2. Vaihda leikkurin käyttöhihna.

ONGELMA: Ajoneuvo ei liiku, kun jarru on vapautettu ja nopeudensäätöpoljin on painettuna.

1. Tarkista ajoneuvon käyttöhihna. Varmista, että hihna on asennettu oikein.
2. Säädä kytkintä.
3. Vaihda ajoneuvon käyttöhihna.
4. Vapauta istuimen alla oleva automaattikytkin.

ONGELMA: Ajoneuvo liikkuu hitaammin tai pysähtyy, kun nopeudensäätöpoljin on painettuna.

1. Säädä kytkintä.
2. Vaihda ajoneuvon käyttöhihna.

ONGELMA: Jarrupoljinta vapautettaessa kuuluu hihnan ääni.

1. Satunnainen hihnan ääni ei vaikuta laitteen toimintaan. Jos hihnan ääni on jatkuvaa, tarkista sen reititys. Varmista, että hihna on kaikkien hihnanohjaimien sisällä.
2. Jos ääni on jatkuvaa, säädä kytkintä.

ONGELMA: Takapyörät pyörivät epätasaisella alustalla.

1. Tarkista etuakseli. Löysää akselin pulttia/pultteja, jos akseli ei liiku vapaasti.

CONTENIDO

SIMBOLOS INTERNACIONALES	90
INFORMACION PARA EL PROPIETARIO	91
INSTRUCCIONES PARA EL USO SEGURO	91
MONTAJE	92
OPERACION	94
MANTENIMIENTO	96
LOCALIZACION DE AVERIAS	99

MURRAY, INC.

GARANTIA LIMITADA DE DOS AÑOS

Murray, Inc. le garantiza al comprador original que esta unidad estará libre de defectos en el material y en la mano de obra bajo uso y servicio normales durante el período de **Dos (2) Años** a partir de la fecha de compra. Sin embargo, esta garantía no cubre motores, accesorios (por ejemplo, quitanieves, cuchillas para el mismo, bolsas recogedoras de hierba y arados), transmisiones, baterías, ejes transversales ni Partes de desgaste normal (con excepción a las indicadas abajo), puesto que los fabricantes de estas partes proveen sus propias garantías y ofrecen servicio por medio de sus centros de servicio autorizados. Para obtener más información sobre estas partes en particular, consulte las garantías correspondientes. Si no sabe si su unidad contiene o está equipada con una o más de estas partes, consulte con su vendedor antes de realizar la compra. De acuerdo con los términos y condiciones especificados en esta Garantía Limitada, repararemos o reemplazaremos, a nuestro criterio, cualquier parte cubierta bajo esta Garantía Limitada durante su vigencia, sin costo alguno al comprador original.

En el caso de que la batería se encuentre defectuosa dentro del período de noventa (90) días a partir de la fecha de compra, nosotros la cambiaremos sin cargo alguno. Si la batería se encuentra defectuosa después del período de (90) días, pero dentro del período de ciento veinte (120) días a partir de la fecha de compra, nosotros la cambiaremos por la mitad (1/2) del precio de venta al detalle en el momento de su devolución.

Las Partes de desgaste normal son correas, cuchillas, adaptadores de cuchilla, neumáticos, faros delanteros y cubiertas de asiento. Se garantiza que estas partes estarán libres de defectos en el material y en la mano de obra cuando se entreguen con el producto. Cualquier reclamo con respecto a la reparación o sustitución de alguna Parte de desgaste normal, debe ser efectuado dentro del período de treinta (30) días a partir de la fecha de compra. No se considerará ningún reclamo debido al uso negligente, maltrato o abuso del material.

Esta **Garantía Limitada Murray, Inc. de Dos (2) Años** es su remedio exclusivo. Sin embargo, esta garantía se anulará o no será aplicada si se determina que la unidad ha sido estropeada, modificada, maltratada, abusada, alquilada o usada comercial y/o profesionalmente (es decir, no para uso residencial). Esta garantía no cubre ajustes mecánicos secundarios que no sean el resultado de defectos en el material o en la mano de obra. Para obtener información sobre este tipo de ajustes, consulte el Manual del Usuario. Para hacer un reclamo bajo esta **Garantía Limi-**

F-050744L

tada Murray, Inc. de Dos (2) Años, devuelva la unidad (o la parte defectuosa, si su devolución ha sido autorizada con anticipación) junto con su prueba de compra al Centro de servicio autorizado más cercano. Para localizar el Centro de servicio autorizado más cercano, comuníquese con el Distribuidor central de repuestos para su zona, indicado en la lista que está incluida con su unidad, o consulte los listados de las páginas amarillas de su guía telefónica local. Si usted devuelve la unidad completa, nosotros la repararemos. Si autorizamos la devolución de la parte defectuosa solamente, repararemos o cambiaremos la parte. En caso de que exista un defecto en la transmisión o en el diferencial (no un eje transversal), debe devolver la transmisión o el diferencial completo, ya que ninguna parte contiene componentes que puedan ser reparados por el usuario.

Esta **Garantía Limitada Murray, Inc. de Dos (2) Años** le otorga derechos legales específicos, y es posible que tenga otros derechos que varían de estado a estado. **Esta Garantía Limitada es la única proporcionada al comprador en lugar de cualquier otra garantía expresa o implícita, incluyendo la garantía implícita de comercialización y la de adecuación a un propósito especial.** Si usted precisa más información sobre el contenido de esta garantía, o si requiere asistencia para obtener algún servicio, escriba a:

HAYTER LIMITED,
Service Department,
Spellbrook,
Bishop's Stortford,
Hertfordshire. CM23 4BU.

MURRAY, INC.
International Sales
P.O. Box 268
Brentwood, Tennessee USA 37024
1-800-251-8007
Fax (615) 373-6633

SÍMBOLOS INTERNACIONALES

IMPORTANTE: Los siguientes símbolos están ubicados en su unidad o indicados en la información impresa que está incluida con el producto. Antes de usar la unidad, debe familiarizarse con el significado y propósito de cada símbolo.

NOTA: Las ilustraciones y símbolos comienzan en la página 2.


Símbolos de seguridad (Figura 23)

- 1 Advertencia
- 2 **IMPORTANTE:** Lea el Manual del Usuario antes de operar esta máquina.
- 3 **ADVERTENCIA:** Objetos pueden ser lanzados de la máquina. Opere a una distancia segura de otras personas. Lea el Manual del Usuario antes de operar esta máquina.
- 4 **ADVERTENCIA:** No use esta máquina en cuestas de más de 10 grados.
- 5 **PELIGRO:** Mantenga a otras personas, particularmente niños, a una distancia segura de esta máquina.

- 6 **PELIGRO:** No pisar.
- 7 **PELIGRO:** Mantenga los pies y las manos a una distancia segura de la cuchilla en movimiento.
- 8 El nivel de potencia acústica propagado por el aire de 100 dB(A) está dentro de lo especificado en la Directiva 2000/14/CE.
- 9 **PELIGRO:** Desconecte el cable de la bujía antes de realizar cualquier reparación en la máquina.
- 10 **ADVERTENCIA:** Superficie caliente.
- 11 **ADVERTENCIA:** Tenga cuidado al conectar o desconectar los accesorios.
- 12 **ADVERTENCIA:** Puede lesionar gravemente la mano.
- 13 **IMPORTANTE:** Para nivelar la plataforma, siga las instrucciones en el Manual del Usuario
- 14 **ADVERTENCIA:** Manténgase a una distancia prudente de la cuchilla del cortacésped mientras en motor está en marcha.

Símbolos de control y funcionamiento (Figura 24)

- 1 Arranque del motor
- 2 Faros
- 3 Motor en marcha
- 4 Parada del motor
- 5 Motor en marcha
- 6 Freno
- 7 Freno de mano
- 8 Embrague
- 9 Marcha lenta
- 10 Marcha rápida
- 11 Cebador
- 12 Aceite
- 13 Dirección de rotación de la cuchilla
- 14 Levantar
- 15 Combustible



MODEL NO.: 425607x52A **CE**

SKU No.:

YYYY MM DD: _____

SERIAL NO.:

2750 min-1

196 kg

Assembled in Lawrenceburg, TN 38464, U.S.A.

Valores de emisión de vibraciones especificados según la Directiva 98/37/CE.

Emisión de vibraciones según BS EN 1032: Asiento < 0.5 m/s²

Pisadera derecha 1.05 m/s², Pisadera izquierda 1.69 m/s²

Emisión de vibraciones según BS EN 1033: Volante 0.95 m/s²

Los valores fueron determinados con el operador en la posición de operación y la máquina de forma estacionaria sobre un área de hormigón, funcionando a 2750 min-1.

El nivel de potencia acústica propagado por el aire de 100 dB(A) está dentro de lo especificado en la Directiva 2000/14/CE.

Niveles de presión acústica a la posición del operador 83 dB.

Los valores fueron determinados al oído de acuerdo con las especificaciones de EN 836/A2:2001.

INFORMACION PARA EL PROPIETARIO

Conozca su producto: Si usted entiende el funcionamiento de la unidad, obtendrá de ésta el mejor rendimiento. A medida que vaya leyendo este manual, compare las ilustraciones con la unidad. Aprenda la ubicación y la función de los controles. Para prevenir accidentes, siga las instrucciones de operación y las reglas de seguridad. Guarde este manual para referencias futuras.



ADVERTENCIA: Preste atención a este símbolo, le indica precauciones de seguridad. Este símbolo indica: “¡Atención! ¡Esté alerta! Su seguridad está en peligro.”

Responsabilidad del propietario



ADVERTENCIA: Esta máquina para cortar el césped puede amputarle manos y pies, y puede lanzar objetos con mucha fuerza. El no seguir las instrucciones de seguridad podría ocasionar lesiones graves o la muerte al operador o a personas a su alrededor.

Es la responsabilidad del propietario seguir las instrucciones enumeradas a continuación.

INSTRUCCIONES PARA EL USO SEGURO

Para tractores cortacésped de cuchilla giratoria

Instrucciones generales

1. Lea las instrucciones con cuidado. Familiarícese con los controles y el uso apropiado del equipo.
2. Nunca permita que los niños o personas no familiarizadas con estas instrucciones usen el tractor cortacésped. Pueden existir reglamentos locales que limiten la edad del operador.
3. Nunca corte el césped cuando hayan personas cerca de usted, especialmente niños y mascotas.
4. Siempre recuerde que el operador o usuario es el responsable por accidentes o situaciones peligrosas que ocurran a otras personas y a su propiedad.
5. No monte a nadie con usted.
6. Todos los usuarios de esta unidad deberían consultar y obtener instrucción práctica y profesional. Esta instrucción debe enfatizar:
 - a. lo importante que es tener cuidado y prestar atención cuando se trabaja con tractores cortacésped;
 - b. que el control de un tractor que se desliza por una cuesta no podrá recuperarse aplicando el freno. Los motivos principales de la pérdida de control son:
 - insuficiente tracción en las ruedas;
 - manejar a mucha velocidad;
 - aplicación inadecuada de los frenos;
 - tipo de tractor inapropiado para la tarea;
 - falta de conocimiento de los efectos producidos por las condiciones del terreno, especialmente las cuestas;
 - enganche y distribución de la carga incorrectos.

Preparación

1. Mientras corta el césped, use siempre calzado fuerte y pantalones largos. No opere este equipo si está descalzo o si lleva sandalias.

2. Inspeccione cuidadosamente el área donde se usará el equipo y quite todos los objetos que pueden ser lanzados por la máquina.
3. **ADVERTENCIA - La gasolina es sumamente inflamable.**
 - a. Almacene el combustible en recipientes designados específicamente para este propósito.
 - b. Reabastezca la unidad al aire libre solamente y no fume mientras reabastece.
 - c. Añada el combustible antes de hacer arrancar el motor. Nunca retire la tapa del tanque de combustible ni añada gasolina cuando el motor está encendido o está caliente.
 - d. Si se derrama gasolina, no intente hacer arrancar el motor pero mueva la máquina del área donde se derramó la gasolina. Evite la generación de chispas hasta que los vapores de la gasolina se hayan disipado.
 - e. Coloque y asegure en su lugar la tapa del tanque de gasolina y las de los recipientes.
4. Reemplace los silenciadores defectuosos.
5. Antes de usar la máquina, siempre inspeccione visualmente para ver que las cuchillas, los pernos de las mismas y el conjunto para cortar no estén gastados. Reemplace en conjunto las cuchillas y los pernos gastados para asegurar una distribución equilibrada.
6. En máquinas con múltiples cuchillas, tenga cuidado pues al girar una de las cuchillas puede hacer que giren también las otras cuchillas.
9. Cuando use cualquier aditamento, nunca deje que la descarga del material vaya en dirección a personas que puedan estar cerca, ni permita a nadie cerca de la máquina mientras ésta está funcionando.
10. Nunca maneje el tractor cortacésped si éste tiene guardas o protectores defectuosos, o sin los dispositivos de seguridad en su lugar.
11. No cambie los ajustes del regulador de velocidad, ni acelere demasiado. El operar un motor a velocidad excesiva puede aumentar el peligro de sufrir lesiones graves.
12. Antes de dejar su posición como operador
 - a. desenganche la toma de fuerza y baje los aditamentos;
 - b. cambie a neutro y enganche el freno de mano;
 - c. apague el motor y saque la llave.
13. Desenganche la toma de fuerza de los aditamentos, apague el motor y desconecte el cable o cables de la bujía o bujías o saque la llave de encendido:
 - a. antes de quitar las obstrucciones o destupir el deflector;
 - b. antes de revisar, limpiar o reparar el tractor cortacésped;
 - c. después de golpear algún objeto extraño. Inspeccione el tractor cortacésped por si hubiera sufrido algún daño y haga las reparaciones necesarias antes de rearmar y operar el equipo;
 - d. si la máquina empieza a vibrar de manera anormal (revisela inmediatamente).
14. Desenganche la toma de fuerza de los aditamentos cuando use el tractor sin cortar el césped o cuando no lo esté usando.
15. Apague el motor y desenganche la toma de fuerza del aditamento
 - a. antes de reabastecer;
 - b. antes de quitar la bolsa recogedora de hierba;
 - c. antes de hacer ajustes a la altura de corte, a menos que los ajustes puedan ser hechos desde la posición del operador.
16. Reduzca el ajuste del acelerador durante el cambio descendente, y si el motor está provisto de una válvula de cierre, utilícela para cerrar el paso del combustible cuando termine de cortar el césped.
17. Antes y durante la marcha atrás, mire **hacia atrás y hacia abajo** para cerciorarse de que no hay niños detrás de la máquina.
18. Ponga mucho cuidado cuando se esté acercando a esquinas ciegas, arbustos, árboles u otros objetos que puedan impedir la visión.

Operación

1. No haga funcionar el motor en un local cerrado donde las emanaciones peligrosas de monóxido de carbono se puedan acumular, presentando así un peligro grave.
2. Corte el césped a la luz del día o con muy buena iluminación artificial.
3. Antes de intentar hacer arrancar el motor, desenganche todos los embragues de aditamentos de la cuchilla y ponga el cambio en neutro.
4. No use la máquina en cuestas de más de 10 grados.
5. Recuerde que no existe tal cosa como una cuesta “no peligrosa”. El conducir la máquina por cuestas con hierba requiere mucho cuidado y concentración. Para no volcarse:
 - a. cuando esté subiendo o bajando una cuesta, no pare o arranque repentinamente;
 - b. aplique el embrague lentamente, mantenga la máquina siempre en cambio, especialmente en las bajadas;
 - c. la velocidad de la máquina debe mantenerse baja en las cuestas y durante las vueltas cerradas;
 - d. esté alerta por áreas de terreno levantado o ahuecado y por otros peligros ocultos;
 - e. nunca corte el césped a lo largo de la cuesta, a menos que la cortadora esté diseñada para este propósito.
6. Tenga cuidado al remolcar cargas o cuando esté usando equipo pesado.
 - a. Use solamente puntos de enganche de barra de tracción aprobados.
 - b. Limite las cargas sólo a las que usted puede controlar con seguridad.
 - c. No doble muy cerrado. Tenga cuidado al echar marcha atrás.
 - d. Use contrapesos o pesos en las ruedas cuando sea sugerido en el Manual del Usuario.
7. Tenga cuidado con el tráfico cuando esté cruzando o esté cerca de la calzada.
8. Detenga el movimiento de las cuchillas antes de cruzar por superficies que no tengan hierba.

Mantenimiento y Almacenamiento

1. En máquinas con múltiples cuchillas, tenga cuidado ya que el hacer girar una de las cuchillas puede hacer que giren las otras.
2. Cuando deba estacionar, almacenar o dejar la máquina desatendida, baje el cárter del cortacésped, a menos que se use un dispositivo de cierre mecánico.
3. Mantenga apretadas las tuercas, pernos y tornillos para asegurar que el equipo está en condiciones satisfactorias para el uso seguro.
4. Nunca guarde el tractor dentro de una construcción en donde los vapores inflamables puedan alcanzar una llama o chispa.
5. Antes de guardar la unidad en cualquier local cerrado, primero deje que el motor se enfríe.
6. Para reducir el peligro de incendio, mantenga el motor, el silenciador, el compartimiento de la batería y el área de almacenamiento de gasolina libres de hierba, hojas o mucha grasa.
7. Revise frecuentemente el recogedor de hierba por si estuviera gastado o deteriorado.
8. Por motivos de seguridad, sustituya las partes gastadas o dañadas.
9. Si debe vaciar el tanque de gasolina, hágalo a la intemperie.

MONTAJE

Todos los sujetadores se encuentran en la bolsa de piezas. No descarte ninguna pieza ni material hasta que la unidad esté montada por completo.



ADVERTENCIA: Antes de realizar cualquier montaje o mantenimiento al cortacésped, desconecte el cable de la bujía.

NOTA: Cuando se refiere a la ubicación de ciertas partes en este Manual, será en relación al lado izquierdo o derecho del operador si éste estuviera sentado en la máquina.

NOTA: Las ilustraciones y símbolos comienzan en la página 2.

NOTA: Para ensamblar las siguientes partes que vienen sueltas, use los sujetadores que se muestran en su tamaño real en la figura 25.

Montaje de las ruedas delanteras (Figura 1)

Corte los cuatro lados de la caja con una navaja. Instale las **ruedas delanteras (1)** sobre el fondo de la caja.

NOTA: Para elevar la parte delantera del tractor, use un pedazo de madera de aproximadamente 4 pies (1,25 metros) de largo. Si no puede obtener la madera, puede levantar el tractor con la ayuda de otra persona. Tenga cuidado de no dejar caer el tractor.

1. Levante la parte delantera del tractor y apóyelo con un soporte (pedazo de madera).
2. Asegúrese de que el **vástago de válvula (2)** esté orientado hacia la parte de afuera del tractor. Deslice la **rueda delantera (1)** en el **husillo de rueda (3)**.
3. Sujete cada **rueda delantera (1)** usando la **arandela (4)** y el **pasador (5)**. Separe y doble los extremos del **pasador (5)** para sujetar la **rueda delantera (1)** en el **husillo de rueda (3)**.
4. Después de montar las **ruedas delanteras (1)**, baje el tractor del soporte. Haga rodar el tractor de la caja.
5. Si su tractor está equipado con **tapacubos (6)**, móntelos. Asegúrese de que los **tapacubos (6)** estén bien apretados en posición con las **arandelas (4)**.

Montaje del cárter del cortacésped (Figura 22)

1. Mueva la **palanca de rotación de la cuchilla (1)** a la posición DISENGAGE.
2. Mueva la **palanca de elevación (2)** a la posición de ajuste de nivel.



ADVERTENCIA: La palanca de elevación es accionada por resorte. Procure fijar la palanca de elevación en la posición LEVEL ADJUSTMENT (ajuste de nivel).

3. Use los sujetadores para conectar la **suspensión delantera (9)** al cárter. Refiérase al dibujo "H".
4. Empuje el cárter del cortacésped por debajo del lado derecho de la unidad.

F-050744L

5. Coloque la **correa de transmisión de la cuchilla (7)** en la **polea doble (8)**. Refiérase al dibujo "G".

IMPORTANTE: Asegúrese de que el lado en "V" de la correa de transmisión de la cuchilla quede contra la polea doble. También verifique que la correa no esté torcida.

6. Conecte la **suspensión delantera (9)** al soporte de eje. Refiérase al dibujo "F".
7. Compruebe que la **correa de transmisión de la cuchilla (7)** se encuentre entre la **polea doble (8)** y las dos **guías de correa (10)**. Refiérase al dibujo "G".
8. Conecte los **brazos de suspensión (4)** al conjunto de elevación y sujételos con los retenedores de horquilla y las arandelas. Refiérase a los dibujos "A" y "B".
9. Conecte los dos **brazos de ajuste (3)** a los soportes de suspensión. Sujételos con los retenedores de horquilla y las arandelas. Refiérase a los dibujos "C" y "D".
10. Conecte el **resorte de extensión (5)** a la **varilla de control de cuchilla (6)**. Refiérase al dibujo "E".
11. Mueva la **palanca de rotación de la cuchilla** a la posición ENGAGE. Asegúrese de que la **correa de transmisión de la cuchilla** quede ubicada dentro de las **guías de correa**.
12. Procure nivelar el **cárter del cortacésped**. Consulte las instrucciones en "Nivelación del cárter del cortacésped".
13. (Figura NO TAG) Conecte las **ruedas de apoyo (12)** a los **pernos axiales (11)** usando los sujetadores. Refiérase al dibujo "I".
14. Compruebe el funcionamiento del control de rotación de la cuchilla. Consulte las instrucciones en "Ajuste del control de rotación de la cuchilla".

Instalación del asiento (Figura 2)

1. Retire cuidadosamente el **asiento (1)** de la bolsa plástica.
2. Alinee los agujeros de la **bisagra del asiento (2)** con los agujeros en el **asiento (1)**. Use los **sujetadores (4)** y **(5)** para fijar el **asiento (1)** a la **bisagra de asiento (2)**.
3. Compruebe la posición de operación del **asiento (1)**. Si es necesario ajustar el **asiento (1)**, suelte los dos **pernos de mariposa (5)**. Para ajustar el **asiento (1)**, deslícelo hacia adelante o hacia atrás por las **ranuras de ajuste del asiento (3)**. Luego apriete los **pernos de mariposa (5)**.

Montaje del volante (Figura 3)

1. Asegúrese de que las ruedas estén orientadas hacia adelante.
2. Deslice la **cubierta (3)** sobre la **columna de dirección (2)**. Asegúrese de que el aro de la **cubierta (3)** quede arriba.
3. Deslice el **volante (1)** sobre la **columna de dirección (2)**.
4. Monte el **volante (1)** al **poste de dirección (2)** con el **tornillo (4)** y la **arandela (6)**.

5. En algunos modelos, se incluye una etiqueta **(7) opcional** en la bolsa de piezas. Coloque la **etiqueta (7)** en el centro del **volante (1)**.

Batería que no requiere mantenimiento (Figura 4)

IMPORTANTE: Antes de conectar los cables a la batería, verifique la fecha de la batería. Esta fecha le indicará si es necesario cargar la batería.

1. Revise la parte superior y los lados de la **batería (1)** para ubicar la fecha de la batería.
2. Si la **batería (1)** fue puesta en servicio antes de la fecha, pueden conectarse los cables sin tener que cargar la **batería (1)**. Vea "Conexión de los cables de la batería".
3. Si la **batería (1)** fue puesta en servicio después de la fecha, será necesario cargar la **batería (1)**. Vea "Carga de la batería".

Carga de la batería (Figura 4)



ADVERTENCIA: No fume durante el proceso de carga. La batería no debe ser expuesta a chispas. Los gases emitidos del ácido de la batería son potencialmente explosivos.

1. Desmonte la **batería (1)** y la **bandeja de batería (3)**.
2. Quite la tapa protectora del terminal de la batería.
3. Use un cargador de baterías de 12 voltios para cargar la **batería (1)**. Cargue a una intensidad de carga de 6 amperios por una hora. Si usted no dispone de un cargador de baterías, deje que un centro de servicio automatizado cargue la batería.
4. Vuelva a montar la **batería (1)** y la **bandeja de batería (3)**. Verifique que el **terminal positivo (+) (4)** se encuentre en el lado izquierdo.

Conexión de los cables de la batería (Figura 4)



ADVERTENCIA: Para evitar la generación de chispas, conecte primero el cable rojo al terminal positivo (+) antes de conectar el cable negro.

1. Quite la tapa protectora del terminal de la batería.
2. Deslice la **cubierta de terminal (2)** sobre el **cable rojo (5)**. Conecte el **cable rojo (5)** al **terminal positivo (+) (4)** usando los **sujetadores (6)** y **(7)**.
3. Conecte el **cable negro (8)** al **terminal negativo (-)** usando los **sujetadores (6)** y **(7)**.

Verificación de la presión de aire de los neumáticos

Compruebe la presión de aire de los neumáticos. Si la presión de aire es muy alta, el tractor no marchará de modo uniforme. Además, una presión de aire inapropiada hará que el nivel de corte no sea parejo. La presión de aire correcta es: Ruedas delanteras 0,97 BAR (14 PSI); ruedas traseras 0,69 BAR (10 PSI). Los neumáticos fueron sobreinflados en la fábrica para el envío.

Comprobación del nivel del cárter del cortacésped

Compruebe que el nivel de corte todavía está correcto. Después de segar una pequeña sección del césped, examine el área cortada. Si el corte no es parejo, consulte las instrucciones sobre "Nivelación del cárter del cortacésped" en la sección de Mantenimiento de este manual.

Preparación del motor

NOTA: El motor fue enviado de la fábrica lleno de aceite. Verifique el nivel de aceite y rellene el depósito según sea necesario.

Consulte las instrucciones del fabricante del motor para determinar qué tipo de gasolina y aceite debe usar. Antes de utilizar la unidad, lea toda la información sobre seguridad, operación, mantenimiento y almacenamiento.



ADVERTENCIA: Siga las instrucciones del fabricante para verificar el tipo de gasolina y aceite que debe usar. Siempre use un bidón seguro de gasolina. No fume mientras reabastece. No llene el tanque dentro de un local cerrado. Antes de reabastecer, apague el motor. Deje que éste se enfríe por unos cuantos minutos.

NOTA: Es probable que el valor actual constante para los caballos de fuerza sea menor debido a limitaciones de funcionamiento y a factores ambientales.

¡Importante! Antes de usar el tractor cortacésped:

- Compruebe el nivel de aceite.
- Llene el tanque con gasolina.
- Compruebe la presión de aire de los neumáticos.
- Compruebe el nivel del cárter del cortacésped.
- Conecte los cables de la batería.

OPERACION

NOTA: Las ilustraciones y símbolos comienzan en la página 2.

Ubicación de los controles (Figura 5)

Palanca de rotación de la cuchilla (1): Use esta palanca para accionar o detener la rotación de la cuchilla.

Pedal de freno (2): Use el pedal de freno para detener la unidad rápidamente.

Interruptor de los faros (3): La posición de este interruptor se encuentra a mitad de vuelta del interruptor de encendido. Para usar los faros cuando el motor está encendido, ponga la llave en la posición de contacto de los faros.

Interruptor de encendido (3): Use el interruptor de encendido para arrancar y apagar el motor.

Pedal de control de velocidad (4): Use el pedal de control de velocidad para cambiar la velocidad y dirección de la unidad.

Palanca de elevación (5): Use la palanca de elevación para variar la altura de corte.

Freno de mano (6): Use esta palanca para enganchar el freno al estacionar el tractor.

Palanca de control de aceleración (7): Use esta palanca para aumentar o reducir la velocidad del motor.

Desconexión automática de la transmisión (8): Use la palanca de desconexión automática de la transmisión ubicada debajo del asiento, para desenganchar la transmisión.

Aditamentos

Se puede adaptar una gran variedad de aditamentos a esta unidad. Esta máquina tiene la capacidad para arrastrar varios aditamentos tales como bandejas tipo rastrillo, aireador o esparcadoras de tolva. Esta unidad no tiene la capacidad para arrastrar arados, gradas de disco o cultivadoras.

El peso máximo de tracción para los remolques y otros aditamentos de arrastre es 113 kg.

Uso del control de aceleración (Figura 5)

Use el **control de aceleración (7)** para aumentar o reducir la velocidad del motor.

1. La posición FAST (velocidad alta) está marcada con un detenedor. Durante el uso normal y cuando se usa una bolsa recogedora de hierba, ponga la palanca del control de aceleración en la posición FAST. Operando el motor en esta posición (FAST) asegurará una carga óptima de la batería y evitará el recalentamiento del motor.
2. El regulador de velocidad del motor se ajusta en la fábrica para asegurar un rendimiento óptimo. No ajuste el regulador para aumentar la velocidad del motor.

Uso de la palanca de rotación de la cuchilla (Figura 5)

Use la **palanca de rotación de la cuchilla (1)** para accionar la cuchilla o cuchillas.

1. Antes de arrancar el motor, asegúrese de que la **palanca de rotación de la cuchilla (1)** esté en la posición DISENGAGE (desenganchada).

F-050744L

2. Para accionar la cuchilla, mueva la **palanca de rotación de la cuchilla (1)** a la posición ENGAGE (enganchada).

NOTA: Si se apaga el motor al enganchar la cuchilla, significa que el interruptor (sensor detector) del asiento está desactivado. Procure sentarse en el medio del asiento.

3. Para detener el movimiento de la cuchilla, mueva la **palanca de rotación de la cuchilla (1)** a la posición DISENGAGE. Manténgase sentado en la posición de operación hasta que se pare la cuchilla.
4. Antes de cruzar la acera o la calle con el tractor, ponga la **palanca de rotación de la cuchilla (1)** en la posición DISENGAGE.



ADVERTENCIA: Cuando el motor esté funcionando, mantenga las manos y los pies alejados de la cuchilla, la abertura del deflector y el cárter del cortacésped.

Uso del pedal de control de velocidad (Figura 5)

El sistema de propulsión utiliza una transmisión hidrostática de propulsión automática. La transmisión hidrostática es muy fácil de operar. Este tipo de sistema de propulsión no requiere palanca de cambios ni pedal de embrague.

La velocidad y dirección de la unidad son controladas por un solo **pedal de control de velocidad (4)** accionado por el pie derecho. No use el pedal de freno izquierdo durante la operación normal. Úselo sólo para detener rápidamente el tractor en caso de emergencia.

Marcha adelante

1. (Figura 20) La **palanca de desconexión automática de transmisión (1)** debe estar en la **posición DRIVE (marcha adelante) (2)**.
2. Quite lentamente su pie izquierdo del pedal de freno.
3. Mueva el control de aceleración a la posición FAST (marcha rápida).
4. (Figura 19) Presione lentamente el **pedal de control de velocidad (1) hacia adelante (4)** hasta alcanzar la velocidad deseada.
5. Para aumentar la velocidad de marcha adelante, aplique lentamente el **pedal de control de velocidad (1)** hacia adelante. Para disminuir la velocidad, reduzca lentamente la presión sobre el **pedal de control de velocidad (1)** hasta alcanzar la velocidad deseada.

Marcha atrás

1. Verifique que no haya ningún obstáculo detrás de la unidad.
2. Aplique lentamente el **pedal de control de velocidad (1)** hasta llegar a la **posición REVERSE (marcha atrás) (2)**.

Cambio de dirección

PRECAUCION: Para cambiar de dirección, no utilice el pedal de freno izquierdo. Use sólo el pedal de control de velocidad.

1. Quite su pie lentamente del **pedal de control de velocidad (1)**. El **pedal de control de velocidad (1)** volverá automáticamente a la **posición NEUTRO (3)**.
2. Cuando la unidad se detenga, presione lentamente el **pedal de control de velocidad (1)** y cambie a la dirección deseada.

Desconexión de la transmisión (Figura 20)

Para empujar la unidad, use la **palanca de desconexión automática de la transmisión (1)** para desenganchar la transmisión. La **palanca de desconexión automática de la transmisión (1)** se encuentra debajo del asiento.

1. El motor debe estar apagado.
2. Levante el asiento. La **palanca de desconexión automática de la transmisión (1)** se encuentra debajo del asiento.
3. Mueva y fije la **palanca de desconexión automática de la transmisión (1)** en la **posición PUSH (3)**. En este momento la transmisión queda *desenganchada* y la unidad se puede empujar.

NOTA: Cuando hace frío, la alta viscosidad del aceite de transmisión hará difícil empujar la unidad.

4. Para enganchar la transmisión, libere la **palanca de desconexión automática de la transmisión (1)**. La transmisión queda ahora *conectada* y se puede operar.

Uso del freno de mano (Figura 5)

1. Presione a fondo el **pedal de freno (2)**.
2. Levante (enganche) el **freno de mano (6)**.
3. Quite su pie del **pedal de freno (2)** y suelte el **freno de mano (6)**. Verifique que el tractor esté detenido.
4. Para desenganchar el **freno de mano (6)**, presione a fondo el **pedal de freno (2)**. El freno se soltará automáticamente.



ADVERTENCIA: Antes de dejar la posición de operación, enganche el freno de mano. Mueva la **palanca de rotación de la cuchilla a la posición DISENGAGE**. Apague el motor y saque la llave de encendido.

Ajuste de la altura de corte (Figura 5)

Para ajustar la altura de corte, suba o baje la **palanca de elevación (5)** como se describe a continuación.

1. Mueva la **palanca de elevación (5)** hacia adelante para bajar el cárter del cortacésped y hacia atrás para subirlo.
2. Antes de conducir la máquina por la acera o la calle, mueva la **palanca de elevación (5)** hacia atrás a la posición más alta y mueva la **palanca de rotación de la cuchilla a la posición DISENGAGE**.

Parada de la unidad (Figura 5)

1. Quite su pie lentamente del **pedal de control de velocidad (4)**. El pedal de control de velocidad (1) volverá automáticamente a la posición NEUTRAL y la unidad se detendrá.
2. Mueva la **palanca de rotación de la cuchilla (1)** a la posición DISENGAGE.
3. Enganche el **freno de mano (6)**.



ADVERTENCIA: Verifique que el tractor esté inmovilizado.

4. Mueva la **palanca del control de aceleración (7)** a la posición SLOW.
5. Para apagar el motor, ponga la **llave de encendido (3)** en la posición OFF. Saque la llave.

Manejo de la unidad sin segar

Para conducir el tractor sin utilizar la función de segar, siga los pasos a continuación.

1. Mueva la palanca de rotación de la cuchilla a la posición DISENGAGE.
2. Mueva la palanca de elevación a la posición más alta.
3. Mueva la palanca de control de aceleración a una posición entre SLOW y FAST.
4. Presione lentamente el pedal de control de velocidad hacia adelante hasta alcanzar la velocidad deseada.

Operación del cárter del cortacésped

IMPORTANTE: Cuando use el cárter del cortacésped, coloque siempre la palanca del control de aceleración en la posición FAST.

1. Arranque el motor.
2. Mueva la palanca de elevación a la altura de corte deseada. Si la hierba está alta o muy gruesa, córtela primero con el cárter en su altura máxima y luego con el cárter en una posición más baja.
3. Mueva la palanca de control de aceleración a la posición SLOW.
4. Mueva lentamente la palanca de rotación de la cuchilla a la posición ENGAGE.
5. Mueva la palanca de control de aceleración a la posición FAST.
6. Pise lentamente el pedal de control de velocidad hasta alcanzar la velocidad deseada.

NOTA: Si la hierba está alta o si está usando un recogedor de hierba, avance a una velocidad baja.

7. Compruebe que el nivel de corte todavía está correcto. Después de segar una pequeña sección del césped, examine el área cortada. Si el corte no es parejo, consulte las instrucciones sobre "Nivelación del cárter del cortacésped" en la sección de Mantenimiento de este manual.



ADVERTENCIA: Para mayor control de la unidad, seleccione una velocidad prudente.

Operación en las cuestas



ADVERTENCIA: No utilice el tractor en una cuesta tan escarpada que resulte imposible subirla en reversa. Nunca se debe conducir el tractor a lo largo de una cuesta.

1. Regule la velocidad sólo con el pedal de control de velocidad. No utilice el pedal de freno en una cuesta.
2. Para prevenir accidentes, pise lentamente el pedal de control de velocidad. Evite los giros o los cambios de velocidad repentinos.
3. Para disminuir la velocidad hacia adelante al bajar una cuesta, suelte lentamente el pedal de control de velocidad hasta que la unidad avance a la velocidad deseada.

Parada de la unidad en una cuesta

1. Evite detener la unidad en una cuesta. Si debe parar rápidamente en caso de una emergencia, quite su pie derecho del pedal

de control de velocidad y pise rápidamente el pedal izquierdo del freno.

2. Enganche el freno de mano.
3. Antes de salir del asiento, mueva el control de aceleración a la posición SLOW (marcha lenta), mueva el control de rotación de la cuchilla a la posición DISENGAGED (desenganchado), apague el motor y enganche el freno de mano.

Inicio de la operación en una cuesta

1. Arranque el motor.
2. Mueva el control de rotación de la cuchilla a la posición ENGAGED.
3. Mueva el control de aceleración a la posición FAST (marcha rápida).
4. Pise el pedal de freno y suelte el freno de mano, pise el pedal de control de velocidad hasta alcanzar la velocidad deseada.



Pise lentamente el pedal de control de velocidad a medida que suelta el freno de mano. El freno de mano debe estar desenganchado para que el pedal de control de velocidad pueda embragar la transmisión.

Antes de arrancar el motor

Compruebe el nivel de aceite

NOTE: El motor fue enviado de la fábrica lleno de aceite. Compruebe el nivel de aceite. Rellene el depósito según sea necesario. Consulte las instrucciones del fabricante del motor para determinar qué tipo de gasolina y aceite debe usar.

1. Asegúrese de que la unidad esté situada sobre una superficie nivelada.

NOTA: No revise el nivel de aceite cuando el motor está encendido.

2. Compruebe el nivel de aceite. Siga las instrucciones del fabricante del motor.
3. Añada aceite según sea necesario hasta que el nivel de aceite en la varilla indicadora llegue a la marca FULL (lleno). En la varilla está indicada la cantidad que debe añadir (ADD) para llegar a la marca FULL. No lo llene demasiado.

Reabastecimiento de gasolina



ADVERTENCIA: Use siempre un bidón seguro de gasolina. No fume mientras reabastece. No llene el tanque dentro de un local cerrado. Antes de reabastecer, apague el motor y deje que éste se enfríe por unos cuantos minutos.

(Figura 6) Llene el tanque de combustible (1) hasta la marca FULL (2) con gasolina regular sin plomo. No use gasolina súper sin plomo. Asegúrese de que la gasolina sea de buena calidad y que esté limpia. La gasolina con plomo aumentará la acumulación de depósitos y reducirá la vida útil de las válvulas del motor.

Arranque del motor



ADVERTENCIA: El sistema eléctrico cuenta con un sistema de detección del operador que incluye un sensor en el asiento. Los componentes del equipo de detección indican al sistema eléctrico si el operador está sentado. El sistema apagará el motor si el operador se levanta del asiento. Para su propia protección, asegúrese en todo momento del funcionamiento correcto de este sistema.

NOTA: El motor no arrancará hasta que aplique el pedal de embrague/freno y mueva la palanca de rotación de la cuchilla a la posición DISENGAGE.

1. Presione a fondo el pedal de freno. Mantenga el pedal presionado.
2. Asegúrese de que la palanca de rotación de la cuchilla esté en la posición DISENGAGE.
3. Mueva la palanca de control de aceleración a la posición CHOKE (cebador) o FAST (marcha rápida). Algunos modelos cuentan con una perilla de cebador. Si el suyo está provisto de una, tírela completamente hasta la posición CHOKE.
4. Ponga la llave de encendido en la posición START (arranque).

NOTA: Si el motor no arranca después de cuatro o cinco intentos, mueva la palanca de control de aceleración a la posición FAST. Intente arrancar el motor nuevamente. Si aún no arranca, consulte la sección de SOLUCION DE AVERIAS.

5. Mueva lentamente la palanca de control de aceleración a la posición SLOW (marcha lenta).
6. Para arrancar un motor caliente, mueva la palanca de control de aceleración a una posición entre FAST y SLOW.

Consejos para el corte y la recolección

1. Para mejorar la presentación del césped, verifique el nivel de corte del cárter del cortacésped. Consulte "Nivelación del cárter del cortacésped" en la sección de Mantenimiento.
2. Para asegurar el nivel correcto de corte, compruebe que los neumáticos tengan una presión de aire adecuada.
3. Antes de cada uso, examine la cuchilla. Si ésta está doblada o dañada, cámbiela inmediatamente. Asegúrese también de que la tuerca que sujeta la cuchilla esté apretada.
4. Mantenga la cuchilla afilada. Cortar con una cuchilla gastada hará que los extremos de las briznas de hierba se tornen marrón.
5. No corte ni recoja hierba mojada. La hierba mojada no se descargará correctamente. Deje secar el césped antes de cortarlo.
6. Use el lado izquierdo del cárter del cortacésped para recortar áreas cerca de objetos.
7. Haga que la hierba se descargue al área cortada. Esto resultará en una descarga más uniforme de la hierba cortada.
8. Si el área de corte es amplia, comience el proceso cortando en vueltas hacia la derecha para evitar la descarga de hierba en dirección de arbustos, cercas, caminos de entrada, etc. Al completar varias vueltas, comience a cortar en dirección opuesta (dando vueltas hacia la izquierda) hasta que haya terminado el trabajo.

- Si la hierba está muy alta, haga dos pasos de corte para minimizar el esfuerzo del motor. Haga el primer corte con el cárter en su posición más alta y el segundo corte usando una posición más baja.
- Para asegurar el rendimiento óptimo de su motor y la descarga uniforme de hierba cortada, siempre opere el motor con la palanca de control de aceleración en la posición FAST.
- Si está usando una bolsa recogedora de hierba, opere el motor con la palanca de control de aceleración en la posición FAST y el pedal de control de velocidad aplicado de 1/3 a 1/2 del límite.
- Para un mejor desempeño, después de cada uso, limpie bien la parte superior y la parte inferior del cárter del cortacésped. Un cárter limpio ayudará a evitar incendios.

MANTENIMIENTO

NOTA: Las ilustraciones y símbolos comienzan en la página 2.

Recomendaciones generales

- Es la responsabilidad del propietario mantener este producto en buen estado de funcionamiento. No sólo ayudará a extender la vida útil del mismo, sino que también es necesario para asegurar la validez de la garantía.
- Examine la bujía y el freno de rueda. Engrase la unidad y limpie el filtro de aire una vez al año.
- Examine los sujetadores. Asegúrese de que todos estén apretados.
- Siga las instrucciones en la sección de Mantenimiento para asegurar una condición de operación óptima.



ADVERTENCIA: Antes de realizar cualquier inspección, ajuste o reparación a la unidad, desconecte el cable de la bujía. Esto se hace para evitar un arranque accidental del motor.

NOTA: El par de apriete se mide en libras-pie (sistema métrico en Nm). Esta medida indica cuán apretada debe estar una tuerca o un perno. El par de apriete se mide con una llave dinamométrica.

Inspección de la cuchilla (Figura 7)



ADVERTENCIA: Antes de inspeccionar o desmontar la cuchilla, desconecte el cable de la bujía. Si usted piensa que la cuchilla ha golpeado contra algún objeto, apague el motor. Examine la unidad por si hay algún daño. La hoja de la cuchilla está afilada. Para proteger sus manos, procure usar guantes u otro material protector cuando deba sujetar la cuchilla.

Para una operación más segura y eficiente, mantenga la **cuchilla (1)** afilada e inspecciónela a menudo por si existe algún daño. Examine la cuchilla para detectar desgaste excesivo, grietas u otro tipo de daño. Examine a menudo la **tuerca (3)** que sujeta la **cuchilla (1)**. Procure mantener la **tuerca (3)** bien apretada. Si la cuchilla golpea algún objeto, apague el motor. Desconecte el cable de la bujía. Verifique que la cuchilla

no se haya doblado y que no haya ningún otro daño. Examine el **adaptador de cuchilla (5)** por si hay daño. Antes de operar la unidad, reemplace cualquier pieza dañada con repuestos originales. Comuníquese con el centro de servicio autorizado cerca de usted. Cada tres años, haga que alguien capacitado inspeccione la cuchilla o reemplace una cuchilla gastada con una de repuesto original.

Desmontaje y montaje de la cuchilla (Figura 7)

- Desmonte el cárter del cortacésped. Refiérase a las instrucciones en la sección "Desmontaje del cárter del cortacésped".
- Inmovilice la cuchilla con un pedazo de madera.
- Quite la **tuerca (3)** que sujeta la **cuchilla (1)**.
- Examine la **cuchilla (1)** y el **adaptador de cuchilla (5)** según especifican las instrucciones en "Inspección de la cuchilla". Reemplace una **cuchilla** excesivamente gastada o dañada con otra de repuesto original. Comuníquese con el centro de servicio autorizado en su área.
- Limpie la parte superior y la parte inferior del cárter del cortacésped. Quite cualquier basura del mismo.
- Monte la **cuchilla (1)** y el **adaptador de cuchilla (5)** al **mandril (6)**.
- Se debe montar la **cuchilla (1)** de tal manera que los **bordes levantados (hi-lift) (7)** queden hacia arriba. Si la **cuchilla** se monta al revés, ésta no cortará correctamente y puede causar un accidente.
- Monte la **cuchilla (1)** usando las arandelas y la **tuerca (3)** originales. Asegúrese de que el borde exterior de la **arandela Belleville (cóncava) (2)** quede contra la **cuchilla (1)**.
- Apriete la **tuerca (3)** que sujeta la **cuchilla (1)** a un par de apriete de 30 libras-pie (41,5 Nm).
- Instale el cárter del cortacésped. Vea "Desmontaje del cárter del cortacésped".



ADVERTENCIA: Asegúrese siempre de que la **tuerca (3)** que sujeta la **cuchilla (1)** esté apretada. Una **tuerca o cuchilla suelta puede causar un accidente.**



Ajuste de la palanca de rotación de la cuchilla

ADVERTENCIA: Para evitar un accidente, la palanca de rotación de la cuchilla debe funcionar correctamente.


Normalmente, no se requiere ningún ajuste a la palanca de rotación de la cuchilla. Sin embargo, si disminuyen el rendimiento y la calidad del corte, haga los siguientes ajustes.

- Al usar el cortacésped, asegúrese de que la palanca de control del aceleración esté en la posición FAST.
- (Figura 8) Mueva la palanca de rotación de la cuchilla a la posición **DISENGAGE (1)**.
- Apague el motor. Desconecte el cable de la bujía.

- Examine la cuchilla. Esta debe mantenerse bien afilada. Cortar con una cuchilla gastada hará que los extremos de las brizas de hierba se tornen marrón.
 - (Figura 9) Desconecte el **resorte de transmisión de cuchilla (2)** de la **varilla de control de cuchilla (1)**. Coloque el **resorte de transmisión de cuchilla (2)** en el **agujero central (4)**. Esto aumentará la tensión en la correa de transmisión de la cuchilla.
 - Reconecte el cable a la bujía. Haga funcionar el cortacésped una distancia corta y reexamine la calidad del corte. Si es necesario reajustar el **resorte de transmisión de cuchilla (2)**, muévelo al **agujero inferior (5)**.
 - Compruebe nuevamente la calidad del corte. Si no ha mejorado, cambie la correa de transmisión de la cuchilla. Vea "Cambio de la correa de transmisión de la cuchilla". Si todavía existe el problema, lleve la unidad a un centro de servicio autorizado.
 - Mueva la palanca de rotación de la cuchilla a la posición **DISENGAGE**. Apague el motor.
 - (Figura 10) Compruebe el funcionamiento del freno de la cuchilla. Haga girar las poleas con la mano. Las **zapatas de freno (1)** deben presionar firmemente contra las poleas.
- ADVERTENCIA:** Si las **zapatas de freno (1)** no presionan firmemente contra las poleas, lleve la unidad a un centro de servicio autorizado.
- (Figura 8) Mueva la palanca de rotación de la cuchilla a la posición **ENGAGE (2)**.
 - (Figura 10) Examine las **zapatas para el freno de cuchilla (7)**. Si las **zapatas** están excesivamente gastadas o dañadas, cambie los conjuntos de las **zapatas de freno**. En un centro de servicio autorizado usted puede obtener asistencia y repuestos originales.
 - Conecte el cable de la bujía. Corte una pequeña sección del césped y verifique nuevamente el funcionamiento correcto de la palanca de rotación de la cuchilla.
 - Dentro de cinco segundos después de colocar la palanca de rotación de la cuchilla en la posición **DISENGAGE**, todo movimiento se detendrá. Si nota algún movimiento de la correa o si las **cuchillas** continúan girando, enganche y desenganche la palanca de rotación de la cuchilla unas cinco veces. Esto sirve para "acondicionar" una correa nueva de transmisión de la cuchilla (es decir, quitar el exceso de goma). Si necesita ayuda, lleve la unidad a un centro de servicio autorizado.
 - (Figura 9) Si usted cambia la correa de transmisión de la cuchilla, coloque el **resorte de transmisión de cuchilla (2)** en el **agujero superior (3)**.

Comprobación y ajuste de la correa de transmisión del tractor (Figura 18 y Figura 21)

Si la correa de transmisión del tractor está suelta, la correa se resbalará al subir una cuesta o al arrastrar una carga pesada. También es posible que la unidad no se mueva hacia adelante. **IMPORTANTE:** Siempre debe operar la unidad con el control de aceleración en la posición FAST. Si el motor se opera a una velocidad reducida, el motor y la transmisión se pueden recalentar y producir problemas semejantes a los que ocurren con una correa de transmisión suelta.


 **ADVERTENCIA:** Antes de realizar cualquier inspección, ajuste o reparación a la unidad, desconecte el cable de la bujía. Esto se hace para evitar un arranque accidental del motor.

1. (Figura 21) Examine bien la colocación de la correa de transmisión de marcha (6) del tractor. Asegúrese de que la correa de transmisión de marcha (6) esté bien instalada y que quede dentro de todas las guías (7).
2. (Figura 18) Desconecte la varilla del embrague (1) del brazo auxiliar (2).
3. (Figura 21) Alinee el agujero de la palanca de freno (3) con el agujero en el armazón. Sujete la palanca de freno (3) en su lugar usando un pasador o un perno (4) de 1/4 de pulgada (6 mm).
4. (Figura 18) Gire la varilla del embrague (1) hasta que el agujero de montaje (5) en la varilla del embrague (1) quede alineado con el agujero de montaje (5) en el brazo auxiliar (2).
5. Conecte la varilla del embrague (1) al brazo auxiliar (2).
6. (Figura 21) Retire el pasador o perno (4) de 1/4 de pulgada (6 mm).
7. Si la correa todavía se desliza, aún después de ajustar la correa, la correa de transmisión del tractor está gastada o dañada y tendrá que ser reemplazada. Vea "Cambio de la correa de transmisión del tractor".

Comprobación y ajuste del freno de rueda (Figura 12 y 20)

(Figura 20) Enganche el freno de mano. Coloque la palanca de desconexión automática de la transmisión (1) en la posición EMPUJAR (3). Empuje la unidad. Si las ruedas traseras giran, ajuste o reemplace las zapatas de freno.


1. (Figura 12) El freno de rueda (4) se encuentra a la derecha de la caja de cambios (5).
2. (Figura 20) Asegúrese de que el freno de mano esté enganchado y que la palanca de desconexión automática de la transmisión (1) esté en la posición EMPUJAR (3).
3. (Figura 12) Gire la tuerca hexagonal (6) hacia la derecha hasta que no se observe ninguna rotación de las ruedas traseras al empujar la unidad hacia adelante.
4. Desenganche el freno de mano y empuje la unidad. Si el tractor no rueda, gire la tuerca hexagonal (6) hacia la izquierda hasta que la unidad ruede.
5. Enganche el freno de mano. Empuje la unidad. Si las ruedas traseras no giran, el freno de rueda (4) ha sido ajustado correctamente. Desenganche el freno de mano.


 **ADVERTENCIA:** Si no puede ajustar correctamente el freno de rueda, cambie las zapatas de freno. Puede obtener repuestos y asistencia de un centro de servicio autorizado.

Desmontaje de la batería (Figura 4)

Para cargar o limpiar la batería (1), desmonte primero la batería (1) de la unidad como se describe a continuación.


F-050744L

 **ADVERTENCIA:** Para evitar la generación de chispas, desconecte primero el cable de batería negro (8) del terminal negativo (-) antes de desconectar el cable rojo (5).


 **ADVERTENCIA:** La batería contiene ácido sulfúrico, una sustancia muy peligrosa para la piel, los ojos y la ropa. Si se derrama ácido sobre la piel o sobre la ropa, lave inmediatamente el área afectada con mucha agua.

1. Desconecte el cable negro (8) del terminal negativo (-).
2. Desconecte el cable rojo (5) del terminal positivo (+) (4).
3. Retire la bandeja de batería (3) y la batería (1) de la unidad.

Carga de la batería (Figura 4)

 **ADVERTENCIA:** No fume durante el proceso de carga. La batería no debe ser expuesta a chispas. Los gases emitidos del ácido de batería son potencialmente explosivos.

1. Desmonte la batería (1) antes de cargarla.
2. Para cargar la batería (1), use un cargador de baterías de 12 voltios. Cargue la batería a una intensidad de carga de 6 amperios por una hora.
3. Instale la batería (1).


 **ADVERTENCIA:** Para evitar la generación de chispas, conecte primero el cable rojo al terminal positivo (+) antes de conectar el cable negro.

4. Conecte el cable rojo (5) al terminal positivo (+) (4) con los sujetadores, como se muestra en el diagrama.
5. Conecte el cable negro (8) al terminal negativo (-) con los sujetadores, como se muestra en el diagrama.

Ajuste de las ruedas de apoyo

Los pernos axiales de las ruedas de apoyo fueron montados en la posición de corte LOW (bajo). Para cambiar la posición de las ruedas de apoyo, mueva los pernos axiales de la manera siguiente.

IMPORTANTE: Antes de ajustar las ruedas de apoyo, debe hacer lo siguiente. Asegúrese de que el cárter del cortacésped esté nivelado. Procure ajustar el nivel de corte a la altura deseada para su césped. Después de segar una pequeña sección plana de césped, examine el área cortada. Si el corte no es parejo, consulte las instrucciones sobre "Nivelación del cárter del cortacésped."

 **ADVERTENCIA:** Antes de realizar cualquier inspección, ajuste o reparación a la unidad, desconecte el cable de la bujía. Esto se hace para evitar un arranque accidental del motor.

1. (Figura 22, dibujo "1") Desmonte las ruedas de apoyo (12) y los pernos axiales (11).

2. (Figura 13) Después de segar una pequeña sección plana de césped, examine el área cortada para comprobar el nivel y la altura de corte. Compruebe el número de posición de altura de corte (3) indicado en la palanca de elevación (1).

3. (Figura 22, dibujo "1") Examine los soportes de rueda de apoyo (13). Cada uno tiene tres (3) agujeros y un número junto al agujero. El número de posición de la altura de corte en la palanca de elevación indica el agujero correcto que se debe usar en cada soporte de rueda de apoyo (13).


NOTA: El agujero número 1 del soporte de rueda corresponde a la posición número 1 de la palanca de elevación, el agujero número 2 del soporte de rueda corresponde a la posición número 2 de la palanca de elevación, y el agujero número 3 del soporte de rueda corresponde a los números de posición 3,4,5 y 6 de la palanca de elevación.

4. Monte los pernos axiales (11) a los soportes de rueda de apoyo (13) usando el agujero correcto en el soporte como se muestra.


NOTA: Si la posición de altura de corte es modificada por la palanca de elevación, deben moverse las ruedas de apoyo al agujero correcto para mantener nivelada la altura de corte.

Nivelación del cárter del cortacésped (Figura 13 y Figura 14)

Si el piso del cárter del cortacésped está nivelado, la calidad de corte y la apariencia del césped mejorarán.

 **ADVERTENCIA:** Antes de realizar cualquier inspección, ajuste o reparación a la unidad, desconecte el cable de la bujía. Esto se hace para evitar un arranque accidental del motor.

1. Al nivelar la unidad, procure que ésta esté sobre una superficie plana y sólida.
2. Compruebe la presión de aire de los neumáticos. Si ésta no es correcta, hará que el nivel de corte del cárter del cortacésped no sea parejo. La presión de aire correcta es: Ruedas delanteras 0,97 BAR (14 PSI); ruedas traseras 0,69 BAR (10 PSI).
3. Si están incluidas, desmonte las ruedas de apoyo.
4. (Figura 13) Mueva la palanca de elevación (1) a la posición de nivelación (2).

 **ADVERTENCIA:** La palanca de elevación (1) es accionada por un resorte. Por lo tanto, asegúrese de que la palanca de elevación (1) esté enganchada en la posición de nivelación (2).

5. (Figura 14) Suelte ambas perillas de ajuste (1) (izquierda y derecha). Empuje hacia abajo contra ambos lados del cárter del cortacésped. Asegúrese de que ambos lados del cárter estén apoyados sobre una superficie plana. Además, asegúrese de que los brazos de elevación (2) estén sueltos y que se puedan desplazar fácilmente hacia arriba y hacia abajo.
6. Empuje los brazos de elevación (2) hacia abajo y apriete ambas perillas de ajuste (1) (izquierda y derecha). Si es necesario, use una llave para apretar las perillas de ajuste (1)

7. (Figura 13) Suba la **palanca de elevación (1)** desde la **posición de nivelación (2)** hasta una **posición de altura de corte**.
8. Si están incluidas, monte las ruedas de apoyo.
9. Corte una pequeña área del césped. Si la altura de corte no es pareja, repita los pasos anteriores.

Puntos de lubricación (Figura 15)



Para modelos con conexiones de engrase: Aplique lubricante con una pistola de engrase.

Aplique lubricante con una brocha en las áreas indicadas.

Aplique aceite de motor en las áreas indicadas.

NOTA: Aplique lubricante al conjunto de la caja de dirección.

PRECAUCION: Si se opera la unidad en climas áridos con césped arenoso, use grafito seco para lubricar la unidad.

Verificación de la presión de aire de los neumáticos

Compruebe la presión de aire de los neumáticos. Si la presión de aire es muy alta, el tractor no marchará de modo uniforme. Además, una presión de aire incorrecta hará que el nivel de corte del cárter del cortacésped no sea pareja. La presión de aire correcta es: Ruedas delanteras 0,97 BAR (14 PSI); ruedas traseras 0,69 BAR (10 PSI).

Cambio de la correa de transmisión del tractor

1. Desmonte el cárter del cortacésped. Consulte las instrucciones en la sección "Desmontaje del cárter del cortacésped".
2. (Figura 16) Retire la **polea tensora intermedia (4)**.
3. Deconecte el **resorte auxiliar (7)**.
4. Saque la **polea tensora (8)** y el **espaciador (9)**.
5. Quite la **polea tensora en V (5)** y el **espaciador (13)**.
6. Desmonte las **guías de correa (3)** ubicadas cerca de la **polea tensora central (4)**.
7. Quite la **correa de transmisión del tractor (1)** de la **polea motriz (6)**.
8. (Figura 17) Para desmontar la **correa de transmisión del tractor (1)** de la **polea doble (2)**, agarre el extremo de la correa y tirelo por debajo de la **polea doble (2)**, luego guíe la correa entre la polea doble y la **placa de dirección (3)**.
9. (Figura 11) Retire el **panel de acceso (10)**.
10. Quite los dos **ornillos (11)** que sujetan el **eje del brazo de dirección (12)**. Levante el volante y el **eje del brazo de dirección (12)**. Pase la **correa de transmisión de marcha (1)** por debajo del **eje del brazo de dirección (12)**.

11. Retire la **correa de transmisión (1)**. Puede obtener repuestos y asistencia de un centro de servicio autorizado cerca de usted.
12. Para montar la correa de transmisión del tractor, realice los pasos anteriores en orden inverso.
13. (Figura 16) Verifique el montaje correcto de la **correa de transmisión del tractor (1)**. Asegúrese de que la correa esté bien montada en la **polea tensora**.
14. Antes de usar la unidad, revise el ajuste del embrague. Vea las instrucciones sobre "Cómo revisar y ajustar el embrague".

Cambio de la correa de transmisión de la cuchilla (Figura 10)

1. Desmonte el cárter del cortacésped. Consulte las instrucciones en "Desmontaje del cárter del cortacésped".
2. Separe el **retén de correa (1)** de la **polea tensora (2)** y quite la **correa de transmisión de la cuchilla (3)**.
3. Separe el **retén de correa (4)** de la **polea mandril derecha (5)** y quite la **correa de transmisión de la cuchilla (3)**.
4. Separe el **retén de correa (4)** de la **polea mandril izquierda (6)** y quite la **correa de transmisión de la cuchilla (3)**. Puede obtener repuestos y asistencia del centro de servicio autorizado cerca de usted.
5. Para instalar la correa de transmisión de la cuchilla, realice los pasos anteriores en orden inverso.

Desmontaje del cárter del cortacésped (Figura 22)

1. Mueva la **palanca de rotación de la cuchilla (1)** a la posición DESENGANCHADA.
2. Mueva la **palanca de elevación (2)** a la posición de ajuste de nivel.



La palanca de elevación es accionada por resorte. Asegúrese de que esta palanca esté en la posición de AJUSTE DE NIVEL.

3. Desmonte los retenedores de horquilla y las arandelas de los **brazos de ajuste (3)**. Refiérase a los dibujos "C" y "D".
4. Desmonte los retenedores de horquilla y las arandelas de los **brazos de suspensión (4)**. Refiérase a los dibujos "A" y "B".
5. Desconecte el **resorte de extensión (5)** de la **varilla de control de cuchilla (6)**. Refiérase al dibujo "E".
6. Desconecte la **suspensión delantera (9)** del soporte de eje. Refiérase al dibujo "F".
7. Separe la **correa de transmisión de la cuchilla (7)** de la **polea doble (8)**.
8. Retire el cárter del cortacésped por el lado derecho de la unidad.
9. Para instalar el cárter del cortacésped, realice los pasos anteriores en orden inverso.

Cambio del fusible

Si el fusible está fundido, el motor no arrancará. Retire el fusible fundido y cámbielo con un fusible para automóviles de 15 amperios.

Almacenamiento (por más de 30 días)

A fines de cada año, prepare la unidad para su almacenamiento de acuerdo a las siguientes instrucciones.

1. Vacíe el combustible del carburador y del tanque de combustible. Cambie el aceite de motor. Consulte las instrucciones suministradas por el fabricante del motor.
2. Limpie toda la unidad.
3. Cargue la batería.

Cómo hacer un pedido de piezas de repuesto

Las piezas de repuesto se muestran en las últimas páginas de este manual o en un libro de piezas de repuesto separado.

Use sólo las piezas de repuesto autorizadas o aprobadas por el fabricante. La letra que aparece al final del número de la pieza indica el tipo de acabado de ésta. C para cromado, Z para zinc, PA para conjunto comprado (Purchased Assembly). Es importante que incluya esta información cuando pida una pieza de repuesto. No use aditamentos ni accesorios que no sean específicamente recomendados para esta unidad. Para obtener las piezas de repuesto apropiadas, debe proporcionar el número del modelo de su cortadora de césped (vea la placa de datos).

Las piezas de repuesto, con la excepción del motor, la transmisión, el eje transversal o el diferencial, están disponibles en la tienda donde se compró la cortadora de césped o en un centro de servicio recomendado por la tienda.

Si no puede conseguir piezas de repuesto o servicio de la manera indicada arriba, entonces comuníquese con:

HAYTER LIMITED,
Service Department,
Spellbrook,
Bishop's Stortford,
Hertfordshire. CM23 4BU.

MURRAY, INC.
International Sales
P.O. Box 268
Brentwood, Tennessee USA 37024
1-800-251-8007
Fax (615) 373-6633 No se aceptarán llamadas con cobro revertido.

Las piezas de repuesto para el motor, el eje transversal o la transmisión, están disponibles en uno de los centros de servicio autorizados por el fabricante, los que encontrará en las páginas comerciales de su guía de teléfonos. Además, consulte las garantías individuales del motor o de la transmisión para pedir las piezas de repuesto.

Cuando haga un pedido por favor envíe la siguiente información:

- (1) Número de modelo
- (2) Número de serie
- (3) Número de pieza
- (4) Cantidad.

LOCALIZACION DE AVERIAS

PROBLEMA: El motor no arranca.

1. Siga los pasos en la sección "Arranque del motor" en este manual.
2. En modelos con arranque eléctrico: Limpie los terminales de la batería. Apriete los cables.
3. Revise por si hay un cable suelto. Apriete los interruptores de seguridad. (Vea el diagrama de cableado.)
4. Vacíe el tanque de combustible. Limpie la línea de gasolina. Reemplace el filtro del combustible.
5. Quite la bujía. Mueva la palanca del acelerador a la posición SLOW (marcha lenta). Gire la llave de encendido a la posición ON (encendido). Trate de hacer arrancar el motor varias veces. Instale la bujía.
6. Reemplace la bujía.
7. Ajuste el carburador.

PROBLEMA: El motor no enciende.

1. Siga los pasos en la sección "Arranque del motor" en este manual.
2. En modelos con arranque eléctrico: Cargue la batería.
3. Reemplace el fusible.
4. Examine el arnés de cableado por si hay algún daño o una conexión suelta. Repare cualquier cable dañado.
5. En modelos de arranque eléctrico: reemplace el solenoide. En modelos de arranque manual: reemplace el módulo.

PROBLEMA: El motor no arranca fácilmente.

1. Ajuste el carburador.
2. Reemplace la bujía.
3. Cambie el filtro del combustible.

PROBLEMA: El motor marcha irregularmente o ha perdido fuerza.

1. Compruebe el nivel del aceite.
2. Limpie el filtro de aire.
3. Limpie la rejilla de aire.
4. Reemplace la bujía.
5. Si el motor trabaja con mucho esfuerzo, use un cambio más bajo.
6. Ajuste el carburador.
7. Reemplace el filtro del combustible.

PROBLEMA: El motor marcha irregularmente a alta velocidad.

1. Reemplace la bujía.
2. Ajuste el acelerador.

3. Limpie el filtro de aire.
4. Reemplace el filtro del combustible.

PROBLEMA: El motor se para cuando se enganchan las cuchillas.

1. Inspeccione el arnés de cableado por si hay algún daño o una conexión suelta. Repare cualquier cable dañado.
2. La bolsa recogedora de hierba debe estar instalada (esto aplica al modelo con bolsa recogedora de hierba de descarga trasera).

PROBLEMA: El motor se para en las cuestas.

1. Corte hacia arriba y hacia abajo en las cuestas. Nunca a lo largo de éstas.

PROBLEMA: El motor no funciona en vacío.

1. Reemplace la bujía.
2. Limpie el filtro de aire.
3. Ajuste el carburador.
4. Ajuste el acelerador.
5. Vacíe el tanque de combustible. Limpie la línea de gasolina. Reemplace el filtro del combustible.

PROBLEMA: El motor pierde fuerza cuando se calienta.

1. Limpie el filtro de aire.
2. Compruebe el nivel de aceite.
3. Ajuste el carburador.
4. Reemplace el filtro del combustible.

PROBLEMA: Vibración excesiva.

1. Reemplace la cuchilla.
2. Revise por si hay pernos sueltos del motor.
3. Disminuya la presión de aire en los neumáticos.
4. Ajuste el carburador.
5. Inspeccione por si hay una correa o una polea dañada. Reemplace las piezas dañadas.

PROBLEMA: La hierba cortada no es descargada correctamente.

1. Apague el motor. Limpie el cárter del tractor cortacésped.
2. Aumente el alto de corte.
3. Reemplace o afile la cuchilla o cuchillas.
4. Mueva la palanca de cambios a una velocidad más baja.
5. Mueva la palanca del acelerador a la posición FAST (rápido).
6. Reemplace el resorte de marcha en vacío de la cuchilla.

7. Limpie el tubo de extensión y el tubo de conexión (esto aplica solamente al modelo con bolsa recogedora de hierba de descarga trasera).

PROBLEMA: El cárter del tractor cortacésped no corta parejo.

1. Revise la presión del aire de los neumáticos.
2. Ajuste el nivel del cárter del cortacésped.
3. Examine el eje delantero. Si el eje delantero no gira libremente, afloje el perno o los pernos del eje.

PROBLEMA: Las cuchillas del tractor cortacésped no giran.

1. Inspeccione la correa de transmisión de la cuchilla. Asegúrese de que la correa esté instalada correctamente.
2. Reemplace la correa de transmisión de la cuchilla.

PROBLEMA: La unidad no se mueve al soltar el freno y pisar el pedal de control de velocidad.

1. Revise la correa de transmisión del tractor. Asegúrese de que la correa esté instalada correctamente.
2. Ajuste el embrague.
3. Reemplace la correa de transmisión del tractor.
4. Suelte la palanca de desconexión automática de la transmisión que se encuentra debajo del asiento.

PROBLEMA: La unidad se mueve más lento o se para al pisar el pedal de control de velocidad.

1. Ajuste el embrague.
2. Reemplace la correa de transmisión del tractor.

PROBLEMA: Cuando se suelta el pedal de freno, se puede oír un ruido de la correa.

1. El ruido ocasional de la correa no cambia la operación de la unidad. Si el ruido es continuo, revise el recorrido de la correa. Asegúrese de que la correa esté dentro de las guías.
2. Si el ruido es continuo, ajuste el embrague.

PROBLEMA: Las ruedas traseras patinan sobre terreno disperejo.

1. Examine el eje delantero. Si el eje delantero no gira libremente, afloje el perno o pernos del eje.

CONTENTS

FIGURAS INTERNACIONAIS	101
INFORMAÇÕES DO PROPRIETÁRIO	102
MÉTODOS SEGUROS DE OPERAÇÃO	102
MONTAGEM	103
OPERAÇÃO	105
MANUTENÇÃO	107
TABELA DE SOLUÇÃO DE PROBLEMAS	111

MURRAY, INC. DOIS ANOS DE GARANTIA LIMITADA

A Murray, Inc. garante ao cliente original que este equipamento estará livre de defeitos de materiais e fabrico, sob condições normais de uso e serviço por um período de **Dois (2) Anos** a partir da data de compra; porém, esta garantia não cobre motores, acessórios (como limpadores de neve, lâminas de neve, ensacadores de grama e arados), transmissões, baterias e Desgaste Normal de Peças (exceto nos locais indicados abaixo) ou eixos transversais, porque as companhias que fabricam estes itens fornecem as suas próprias garantias e oferecem serviço através das respectivas oficinas locais de serviço. Para maiores informações, leia as garantias que cobrem essas peças específicas. Se você não tem certeza se o seu equipamento contém, ou está equipado com, uma ou mais destas peças, consulte o seu revendedor antes da compra. De acordo com os termos e condições indicados nesta Garantia Limitada, nós poderemos, por nossa opção, reparar ou substituir, sem custos adicionais para o cliente original, qualquer peça coberta por esta Garantia Limitada durante o período de garantia aplicável. No caso de serem detectados defeitos na bateria dentro de noventa (90) dias após a data de compra, nós substituiremos a mesma sem qualquer custo adicional. Se forem detectados defeitos na bateria após noventa (90) dias mas antes de cento e vinte (120) dias após a data de compra, nós substituiremos a mesma pela metade (1/2) do preço de revenda da bateria registrado no momento do retorno.

As Peças de Desgaste Normal incluem correias, lâminas, adaptadores de correia, pneus de ar, luzes e coberturas do assento. Estas peças possuem uma garantia contra defeitos de materiais e fabrico quando fornecidas com o produto.

Qualquer reclamação de reparos ou substituição de Peças de Desgaste Normal terá de ser efetuada até trinta (30) dias após a data de compra. Não serão aceites quaisquer reclamações envolvendo danos causados pelo uso, abuso ou uso incorreto do material.

Esta **Garantia Limitada de Dois (2) Anos da Murray, Inc.** representa a única solução possível; porém, esta garantia será inválida e não se aplica a qualquer equipamento que foi mexido alterado, usado incorretamente, abusado ou usado para aluguel para outros propósitos comerciais e/ou profissionais (não domésticos). A sua garantia não cobre pequenos ajustes mecânicos que não resultem de defeitos de materiais ou fabrico. Para obter assistência ao efetuar tais ajustes, consulte o seu Manual de Instruções. Para fazer uma reclamação de acordo com esta **Garantia Limitada de Dois (2) Anos da Murray, Inc.**, devolva o equipamento (ou, se você tiver uma autorização, a peça defeituosa) junto com o recibo da compra a um Centro de Serviço Autorizado próximo de você. Para localizar o Centro de Serviço Autorizado mais próximo de você, ligue para o Distribuidor Central de Peças da sua área, mostrado na lista fornecida com o equipamento ou veja as listas nas Páginas Amarelas da sua lista telefônica local. Se você devolver o equipamento completo, nós o reparamos. Se nós autorizarmos o retorno somente da peça defeituosa, poderemos substituir ou reparar a peça. No caso de defeitos na transmissão ou no diferencial (diferentes do eixo transversal), você terá que devolver a transmissão ou o diferencial completos, porque eles não possuem peças para uso do usuário.

Esta **Garantia Limitada de Dois (2) Anos da Murray, Inc.** confere a você direitos legais específicos e outros direitos que podem variar de estado para estado. **Esta Garantia Limitada conferida em substituição de todas as outras garantias expressas e implícitas, incluindo a garantia implícita de comerciabilidade e de adaptação a um determinado objetivo.** Se você necessitar de informação adicional sobre esta garantia escrita ou de assistência para obter serviço, escreva para:

HAYTER LIMITED,
Service Department,
Spellbrook,
Bishop's Stortford,
Hertfordshire. CM23 4BU.

MURRAY, INC.
International Sales
P.O. Box 268
Brentwood, Tennessee USA 37024
1-800-251-8007
Fax (615) 373-6633

FIGURAS INTERNACIONAIS

IMPORTANTE: as seguintes figuras estão localizadas no seu equipamento ou na literatura fornecida com o produto. Antes de operar o equipamento, aprenda e compreenda o propósito de cada figura.

OBSERVAÇÃO: As ilustrações e figuras começam na página 2.



Figuras de Avisos de Segurança (Figura 23)

- 1 Aviso
- 2 **IMPORTANTE:** Leia o Manual do Proprietário Antes de Operar Esta Máquina.
- 3 **ATENÇÃO:** Objetos Lançados. Mantenha Outras Pessoas Afastadas. Leia as Instruções do Usuário Antes de Operar Esta Máquina.
- 4 **ATENÇÃO:** Não Use Esta Máquina Em Declives com Mais de 10 Graus.
- 5 **PERIGO:** Mantenha as Pessoas, Especialmente Crianças, Longe do Equipamento.

- 6 **PERIGO:** Nenhum Passo.
- 7 **PERIGO:** Mantenha os Seus Pés e Mãos Afastados da Lâmina Rotativa.
- 8 **PERIGO:** Emissões declaradas de ruído ao ar livre de 100 dB(A) está de acordo com a Directiva 2000/14/CE.
- 9 **PERIGO:** Desconecte o Fio do Plugue da Vela Antes de Efetuar Reparos no Equipamento.
- 10 **ATENÇÃO:** Superfície Quente.
- 11 **ATENÇÃO:** Tenha Cuidado ao Conectar ou Desconectar Acessórios.
- 12 **ATENÇÃO:** Perigo de Esmagamento dos Dedos
- 13 **IMPORTANTE:** Siga as instruções do manual do proprietário para equilibrar a plataforma do equipamento.
- 14 **AVISO:** Mantenha-se afastado da lâmina do cortador de relva, enquanto o motor estiver a trabalhar.

Figuras de Controle e Operação (Figura 24)

- 1 Arrancar o Motor
- 2 Luzes
- 3 Motor a Trabalhar
- 4 Motor Parado
- 5 Motor a Trabalhar
- 6 Freio
- 7 Freio de Estacionamento
- 8 Embraiagem
- 9 Lento
- 10 Rápido
- 11 Afogador
- 12 Óleo
- 13 Controle de Rotação da Lâmina
- 14 Levantar
- 15 Combustível

		
MODEL NO.: 425607x52A		
SKU No.:		
YYYY MM DD: _____		
SERIAL NO.:		
2750 min-1		
196 kg		
Assembled in Lawrenceburg, TN 38464, U.S.A.		

Valores declarados de emissão de vibração de acordo com a Directiva 98/37/CE.
Emissão de Vibração de acordo com a norma BS EN 1032: Assento < 0.5 m/s²,
Plataforma Direita 1.05 m/s², Plataforma Esquerda 1.69 m/s²

Emissão de vibração de acordo com a norma BS EN 1033: Volante 0.95 m/s²
Valores determinados com o operador na posição de trabalho quando a máquina estava a trabalhar, parada sobre uma superfície em cimento a 2750 min-1.

Emissões declaradas de ruído ao ar livre de 100 dB(A) está de acordo com a Directiva 2000/14/CE.

Níveis de Pressão Sonora na posição do operador 83 dB.

Valores determinados pela audição de acordo com as especificações da norma EN 836/A2:2001.

INFORMAÇÕES DO PROPRIETÁRIO

Conheça o seu produto: Se você compreender o equipamento e a forma como ele trabalha, poderá obter o melhor desempenho. À medida que você lê este manual, compare as ilustrações com o equipamento. Aprenda a localização e a função dos controles. Para ajudar a evitar acidentes, siga as instruções de operação e as regras de segurança. Guarde este manual para futura referência.



ATENÇÃO: Procure este símbolo para localizar cuidados de segurança importantes. Este símbolo significa: “Atenção! Tenha Cuidado! A sua Segurança Está em Perigo”.

Responsabilidade do Proprietário



ATENÇÃO: Esta máquina de corte pode amputar mãos e pés e lançar objetos. O desrespeito das seguintes instruções de segurança pode resultar em ferimentos graves ou na morte do operador ou de pessoas próximas dele.

A responsabilidade do proprietário consiste em seguir as instruções abaixo.

MÉTODOS SEGUROS DE OPERAÇÃO

Para Máquinas Rotativas de Corte de Grama Dirigidas (Com Condutor)

Treino

1. Leia estas instruções cuidadosamente. Familiarize-se com os controles e com o uso correto do equipamento.
2. Jamais deixe crianças ou pessoas que não conheçam estas instruções usar o cortador de grama. Os regulamentos locais podem limitar a idade do operador.
3. Jamais corte a grama enquanto estiverem pessoas, especialmente crianças, ou animais domésticos perto de você.
4. Lembre-se que o operador, ou usuário, é responsável pelos acidentes ou problemas causados a outras pessoas ou nos respectivos bens.
5. Não transporte passageiros.
6. Qualquer condutor deve procurar e obter instrução profissional e prática. Essa instrução deve realçar os seguintes aspectos:
 - a. a importância do cuidado e concentração durante o uso de máquinas dirigidas;
 - b. o controle de uma máquina dirigida deslizando num declive não pode ser recuperado aplicando os freios. As causas principais da perda do controle são:
 - aderência insuficiente das rodas;
 - dirigir demasiado rápido;
 - frenagem inadequada
 - tipo de máquina impróprio para a sua tarefa;
 - falta de consciência dos efeitos da condição do terreno, especialmente em declives;
 - engate incorreto e distribuição de pesos errada.

Preparação

1. Quando cortar a grama, use sempre sapatos resistentes e calças compridas. Não opere o equipamento se você estiver descalço ou quando estiver usando sandálias abertas.

2. Inspeccione atentamente a área onde você vai usar o equipamento e remova todos os objetos que possam ser lançados pela máquina.
3. **ATENÇÃO - A gasolina é altamente inflamável.**
 - a. Armazene o combustível em contentores especialmente projetados para esse propósito.
 - b. Reabasteça sempre o combustível ao ar livre e nunca fume durante essa operação.
 - c. Adicione o combustível antes de pôr o motor a trabalhar. Jamais remova a tampa do depósito de combustível ou adicione gasolina enquanto o motor está a trabalhar ou quando o mesmo está quente.
 - d. Se você derramar gasolina, não tente pôr o motor a trabalhar; afaste antes a máquina da área do derrame e evite gerar fontes de ignição até dissipar os vapores da gasolina.
 - e. Volte a colocar todos os tanques de combustível e as respectivas tampas firmemente.
4. Substitua os silenciadores danificados.
5. Antes de usar o equipamento, inspeccione-o sempre visualmente primeiro para verificar se as lâminas, os parafusos das lâminas e a montagem do cortador não estão gastos ou danificados. Para garantir o equilíbrio, substitua as lâminas gastas ou danificadas em conjuntos.
6. Em máquinas com várias lâminas, tenha cuidado porque a rotação de uma lâmina faz rodar as outras lâminas.
10. Jamais opere o cortador de grama com proteções ou resguardos danificados, ou sem todos os dispositivos de proteção de segurança nos respectivos lugares.
11. Não mude a configuração do carburador do motor nem acelere demasiado o motor. Operar o motor a velocidades excessivas pode aumentar o risco de ferimentos pessoais.
12. Antes de abandonar a posição do operador
 - a. desengrene a transmissão para o exterior e baixe os acessórios;
 - b. mude para a posição neutra e acione o freio de estacionamento;
 - c. pare o motor e tire a chave.
13. Desengrene a transmissão dos acessórios, pare o motor e desconecte o(s) fio(s) das velas ou tire a chave da ignição
 - a. antes de limpar as obstruções ou desentupir a saída;
 - b. antes de verificar, limpar ou trabalhar com o cortador de grama;
 - c. após atingir um objeto estranho, inspeccione o cortador para ver se existem danos e efetue as reparações necessárias, antes de recomeçar ou usar novamente o equipamento;
 - d. se a máquina começar a vibrar de forma anormal (verifique imediatamente).
14. Desengrene a transmissão dos acessórios enquanto transporta a máquina ou quando a mesma não estiver a ser utilizada.
15. Pare o motor e desengrene a transmissão do acessório
 - a. antes de reabastecer;
 - b. antes de remover o depósito da grama;
 - c. antes de efetuar ajustes na altura, exceto se você puder efetuá-los a partir da posição do operador.
16. Reduza o nível de aceleração durante o abafamento do motor e, se o motor possui uma válvula de corte de alimentação, feche o combustível após terminar o corte da grama.
17. Antes de usar a marcha a ré, e enquanto recua, olhe **para trás e para baixo** para ver se existem crianças por perto.
18. Tenha muito cuidado quando se aproxima de curvas fechadas, arbustos, árvores e outros objetos que possam reduzir a visibilidade.

Operação

1. Não opere o motor em espaços fechados, onde podem acumular-se fumos perigosos de monóxido de carbono.
2. Corte a grama somente com luz solar ou com uma boa iluminação artificial.
3. Antes de tentar pôr o motor a trabalhar, desengrene todas as embraiagens de lâmina e mude para a posição neutra.
4. Não use o equipamento em declives com mais de 10 graus.
5. Lembre-se que não existem declives “seguros”. A movimentação em declives de grama exige cuidados especiais. Para evitar tombos:
 - a. não pare nem arranque bruscamente ao subir ou descer um declive;
 - b. acione a embraiagem lentamente, mantendo sempre a máquina engrenada, especialmente quando desce um declive;
 - c. mantenha uma velocidade reduzida em declives e curvas apertadas;
 - d. tenha atenção a lombas, buracos e outros perigos ocultos;
 - e. jamais corte a grama ao longo da encosta do declive, exceto se o seu cortador tiver sido projetado para esse propósito.
6. Tenha cuidado ao rebocar cargas ou quando usar equipamento pesado.
 - a. Use somente os pontos aprovados da barra de reboque.
 - b. Limite as suas cargas àquelas que você pode controlar com segurança.
 - c. Não curve bruscamente. Tenha cuidado ao recuar.
 - d. Use contrapeso(s) ou pesos nas rodas, quando recomendados no Livro de Instruções.
7. Tenha cuidado com o trânsito quando atravessa, ou se aproxima, de estradas.
8. Pare a rotação das lâminas quando atravessar superfícies sem grama.
9. Quando usar anexos, jamais descarregue os materiais diretamente na direção de outras pessoas próximas nem deixe qualquer pessoa se aproximar de você enquanto usa a máquina.
10. Jamais opere o cortador de grama com proteções ou resguardos danificados, ou sem todos os dispositivos de proteção de segurança nos respectivos lugares.
11. Não mude a configuração do carburador do motor nem acelere demasiado o motor. Operar o motor a velocidades excessivas pode aumentar o risco de ferimentos pessoais.
12. Antes de abandonar a posição do operador
 - a. desengrene a transmissão para o exterior e baixe os acessórios;
 - b. mude para a posição neutra e acione o freio de estacionamento;
 - c. pare o motor e tire a chave.
13. Desengrene a transmissão dos acessórios, pare o motor e desconecte o(s) fio(s) das velas ou tire a chave da ignição
 - a. antes de limpar as obstruções ou desentupir a saída;
 - b. antes de verificar, limpar ou trabalhar com o cortador de grama;
 - c. após atingir um objeto estranho, inspeccione o cortador para ver se existem danos e efetue as reparações necessárias, antes de recomeçar ou usar novamente o equipamento;
 - d. se a máquina começar a vibrar de forma anormal (verifique imediatamente).
14. Desengrene a transmissão dos acessórios enquanto transporta a máquina ou quando a mesma não estiver a ser utilizada.
15. Pare o motor e desengrene a transmissão do acessório
 - a. antes de reabastecer;
 - b. antes de remover o depósito da grama;
 - c. antes de efetuar ajustes na altura, exceto se você puder efetuá-los a partir da posição do operador.
16. Reduza o nível de aceleração durante o abafamento do motor e, se o motor possui uma válvula de corte de alimentação, feche o combustível após terminar o corte da grama.
17. Antes de usar a marcha a ré, e enquanto recua, olhe **para trás e para baixo** para ver se existem crianças por perto.
18. Tenha muito cuidado quando se aproxima de curvas fechadas, arbustos, árvores e outros objetos que possam reduzir a visibilidade.

Manutenção e Armazenamento

1. Em máquinas com várias lâminas, tenha cuidado porque a rotação de uma lâmina pode fazer rodar as outras lâminas.
2. Antes de estacionar a máquina, armazená-la ou deixá-la sem operador, baixe os dispositivos de corte, a menos que você esteja usando uma tranca mecânica segura.
3. Mantenha todas as porcas, pinos e parafusos apertados, de forma a garantir que o equipamento está sempre em condições seguras de trabalho.
4. Jamais armazene o equipamento com gasolina no tanque dentro de um prédio onde os gases possam encontrar uma chama ou faísca.
5. Deixe o motor arrefecer antes de armazenar a máquina num espaço fechado.
6. Para reduzir o risco de incêndio, mantenha o motor, o silenciador, o compartimento da bateria e a área de armazenamento de gasolina livres de grama, folhas ou massa lubrificante excessiva.
7. Verifique frequentemente se existem danos ou sinais de deterioração no depósito de grama.
8. Para sua segurança, substitua as peças gastas ou danificadas.
9. Se você necessitar de esvaziar o tanque de combustível, faça-o fora de casa.

MONTAGEM

Todos os encaixes estão no saco de peças. Não deite fora quaisquer peças ou materiais até terminar a montagem da unidade.



ATENÇÃO: Antes de efetuar qualquer montagem ou manutenção no cortador de grama, remova o fio do plugue da vela.

OBSERVAÇÃO: Neste livro de instruções, esquerda e direita descrevem a localização de uma peça com o operador sentado no assento.

OBSERVAÇÃO: As ilustrações e figuras começam na página 2.

OBSERVAÇÃO: Para montar as peças soltas abaixo, use os encaixes mostrados em tamanho completo na Figura 25.

Como Instalar as Rodas da Frente (Figura 1)

Use uma faca para cortar os quatro lados do contentor. Instale as rodas da frente (1) no contentor.

OBSERVAÇÃO: Use um pedaço de madeira com cerca de 1,25 metros de comprimento para levantar a parte da frente do trator. Se você não encontrar um pedaço de madeira, peça a ajuda de outra pessoa para ajudá-lo a levantar o trator. Tenha cuidado para não deixar cair o trator.

1. Levante a parte da frente do trator. Coloque um suporte (bloco de madeira) debaixo do trator.
2. Certifique-se que a haste da válvula (2) está fora do trator. Deslize a roda da frente (1) no eixo (3).
3. Fixe as rodas da frente (1) usando a anilha (4) e o pino de chaveta (5). Dobre as extremidades do pino de chaveta (5) para fora para manter a roda da frente (1) fixa no eixo (3).
4. Após instalar as rodas da frente (1), levante o trator do suporte. Faça rolar o trator para fora do contentor.
5. Se o seu trator possui tampas de cubos (6), instale as tampas de cubos (6). Certifique-se que as anilhas (4) seguram as tampas dos cubos (6) no seu lugar.

Como Montar a Cobertura do Cortador de Grama (Figura 22)

1. Mova o controle de rotação da lâmina (1) para a posição DISENGAGE (Desativar).
2. Mova a alavanca de levantamento (2) para a posição de ajuste de nível.



ATENÇÃO: A alavanca de suspensão está sob a pressão de uma mola. Verifique se a alavanca de suspensão está firme na posição LEVEL ADJUSTMENT (Ajuste de Nível).

3. Fixe o descanso frontal (9) à superfície, usando os encaixes. Veja a ilustração "H".
4. Empurre a cobertura do cortador de grama, sob o lado direito do equipamento.

5. Coloque a correia de transmissão do cortador de grama (7) em volta do tambor empilhado (8). Veja a ilustração "G".

IMPORTANTE: Verifique se o lado "V" da correia de transmissão do cortador de grama está em contato com o tambor empilhado. Verifique também se a correia de transmissão do cortador de grama não está torcida.

6. Fixe o descanso frontal (9) no suporte do eixo. Veja a ilustração "F".
7. Verifique se a correia de transmissão do cortador de grama (7) está colocada entre o tambor empilhado (8) e as duas guias da correia (10). Veja a ilustração "G".
8. Fixe as ligações da suspensão (4) à montagem do elevador. Aperte usando os ganchos e as anilhas. Veja as ilustrações "A" e "B".
9. Fixe os braços de ajuste (3) esquerdo e direito aos suportes da suspensão. Aperte usando os ganchos e as anilhas. Veja as ilustrações "C" e "D".
10. Fixe a mola de extensão (5) à haste de controle da lâmina (6). Veja a ilustração "E".
11. Mude o controle de rotação da lâmina para a posição ENGAGE (Acionar). Verifique se a correia de transmissão do cortador de grama está dentro de todas as guias da correia.
12. Verifique se a cobertura do cortador de grama está equilibrada. Veja as instruções na seção "Como Nivelar a Cobertura do Cortador de Grama".
13. (Figura NO TAG) Fixe as rodas de nível (12) nos parafusos do eixo (11) usando os encaixes. Veja a ilustração "I".
14. Verifique a operação do controle de rotação da lâmina. Leia as instruções na seção "Como Ajustar o Controle de Rotação da Lâmina".

Como Instalar o Assento (Figura 2)

1. Retire cuidadosamente o saco de plástico do assento (1).
2. Alinhe os orifícios da articulação do assento (2) com os orifícios do assento (1). Fixe o assento (1) na articulação do assento (2) usando os encaixes (4) e (5).
3. Verifique a posição de uso do assento (1). Se o assento (1) necessitar de ajustes, deslize o assento (1) para a frente ou para trás, ao longo dos orifícios de ajuste do assento (3). Aperte os parafusos de asa (5).

Como Montar o Volante (Figura 3)

1. Verifique se as rodas da frente estão apontadas para a frente.
2. Deslize a tampa (3) sobre a coluna da direção (2). Verifique se o anel da tampa (3) está localizado na parte superior.
3. Deslize o volante (1) sobre a coluna da direção (2).

4. Fixe o volante (1) na coluna da direção (2) usando o parafuso (4) e a anilha (6).

5. Alguns modelos possuem um emblema (7) opcional no saco de peças. Coloque o emblema (7) no centro do volante (1).

Bateria Sem Manutenção (Figura 4)

IMPORTANTE: Antes de você ligar os cabos da bateria à bateria, verifique a data da bateria. A data da bateria indica se ela necessita ser carregada.

1. Procure a data da bateria (1) na parte superior e ao lado da mesma.
2. Se a bateria (1) for usada antes da , você pode ligar os cabos da bateria sem necessitar de carregar a bateria (1). Leia a seção "Como Instalar os Cabos da Bateria".
3. Se a bateria (1) for usada após a data, você terá que carregar a bateria (1). Leia a seção "Como Carregar a Bateria Sem Manutenção".

Como Carregar a Bateria (Figura 4)



ATENÇÃO: Enquanto você estiver carregando a bateria, não fume. Mantenha a bateria afastada de qualquer faísca. Os gases do ácido da bateria podem causar uma explosão.

1. Remova a bateria (1) e a bandeja da bateria (3).
2. Remova a tampa protetora do borne da bateria.
3. Use um carregador de baterias de 12 volts para carregar a bateria (1). Efetue o carregamento a uma taxa de 6 amperes durante uma hora. Se você não possui um carregador de baterias, terá que a carregar através de um centro autorizado de serviço.
4. Instale a bateria (1) e a bandeja da bateria (3). Verifique se o borne positivo (+) (4) está no lado esquerdo.

Como Instalar os Cabos da Bateria (Figura 4)



ATENÇÃO: Para evitar faíscas, fixe o cabo vermelho no borne positivo (+) antes de conectar o cabo preto.

1. Remova a tampa protetora do borne da bateria.
2. Deslize a tampa do terminal (2) sobre o cabo vermelho (5) Fixe o cabo vermelho (5) no borne positivo (+) (4) usando os encaixes (6) e (7).
3. Fixe o cabo preto 8 no borne negativo (-) usando os encaixes (6) e (7).

Verifique os Pneus

Verifique a pressão de ar dos pneus. Uma pressão de ar excessiva nos pneus fará o equipamento andar desequilibrado. Além disso, uma pressão de ar errada impede que a cobertura do cortador de grama atinja o nível de corte. A pressão de ar correta é: Pneus Frontais 0,97 BAR (14 PSI), Pneus Traseiros 0,69 BAR (10 PSI). Os pneus foram enchidos um pouco acima da pressão correta para suportar o transporte.

Verifique o Nível da Cobertura do Cortador de Grama

Verifique se o nível de corte ainda está correto. Após cortar alguns metros de grama, examine a área que foi cortada. Se a cobertura do cortador de grama não estiver cortando sempre ao mesmo nível, leia as instruções na seção “Como Nivelar a Cobertura do Cortador de Grama”, na seção de manutenção deste livro de instruções.

Como Preparar o Motor

OBSERVAÇÃO: O motor é fornecido pela fábrica abastecido com óleo. Verifique o nível do óleo. Se necessário, adicione óleo.

Leia as instruções do fabricante do motor para saber qual o tipo de gasolina e óleo que você deve usar. Antes de usar o equipamento, leia as informações sobre segurança, modo de uso, manutenção e armazenamento.



ATENÇÃO: Siga as instruções fornecidas pelo fabricante do motor para saber qual o tipo de gasolina e óleo que você deve usar. Use sempre um contenedor de gasolina de segurança. Não fume enquanto coloca a gasolina no motor. Enquanto você estiver num local fechado, não adicione gasolina. Antes de adicionar gasolina, pare o motor. Deixe o motor arrefecer alguns minutos.

OBSERVAÇÃO: A potência real continua ser provavelmente mais baixa devido a limitações de funcionamento e a factores ambientais.

Importante! Antes de Você Começar a Cortar a Grama

- Verifique o nível do óleo.
- Encha o depósito de combustível com gasolina.
- Verifique a pressão de ar dos pneus.
- Verifique o nível da cobertura do cortador de grama.
- Ligue os cabos da bateria.

OPERAÇÃO

OBSERVAÇÃO: As ilustrações e figuras começam na página 2.

Localização dos Controles (Figura 5)

Controle de Rotação da Lâmina (1): Use o controle de rotação da lâmina para iniciar ou terminar a rotação da lâmina.

Pedal do Travão (2): Use o travão para parar rapidamente.

Interruptor do Farol (3): O interruptor do farol é a primeira parte do interruptor da ignição. Para usar as luzes enquanto o motor está a trabalhar, gire a chave para a posição das luzes.

Interruptor de Ignição (3): Use o interruptor de ignição para pôr o motor a trabalhar ou desligá-lo.

Pedal de Controle da Velocidade (4): Use o pedal de controle da velocidade para mudar a velocidade e a direção do equipamento.

Alavanca de Levantamento (5): Use a alavanca de levantamento para mudar a altura de corte.

Alavanca do Travão de mão (6): Use a alavanca do travão de mão para acionar o travão ao deixar a máquina.

Alavanca de Controle do Acelerador (7): Use a alavanca de controle do acelerador para aumentar ou reduzir a velocidade do motor.

Desconexão Automática da Transmissão (8): Use a desconexão automática da transmissão, localizada debaixo do assento, para desengrenar a transmissão.

Acessórios

Este equipamento pode utilizar vários acessórios diferentes. Este equipamento pode puxar acessórios como um varredor de grama, um dispersor de grama ou um espalhador de semente. Ele não usar acessórios que revolva o solo, como um arado, um arado de discos ou um cultivador.

Para acessórios rebocados e puxados, o peso máximo é 113 kg.

Como Usar o Controle do Acelerador (Figura 5)

Use o **controle do acelerador (7)** para aumentar ou diminuir a velocidade do motor.

1. A posição FAST (Rápido) está marcada com um batente. Para trabalho normal e quando se usa um ensacador de grama, mova o controle do acelerador para a posição FAST (Rápido). Para obter um carregamento máximo da bateria e para que o motor trabalhe a uma temperatura mais baixa, trabalhe com o motor na posição FAST (Rápido).

2. O regulador do motor foi configurado na fábrica para um desempenho máximo. Não ajuste regulador para aumentar a velocidade do motor.

F-050744L

Como Usar o Controle de Rotação da Lâmina (Figura 5)

Use a **alavanca de controle da lâmina (1)** para acionar a(s) lâmina(s).

1. Antes de pôr o motor a trabalhar, verifique se o **controle de rotação da lâmina (1)** está na posição DISENGAGE (Desativar).

2. Mova o **controle de rotação da lâmina (1)** para a posição ENGAGE (Acionar) para rodar a(s) lâmina(s).

OBSERVAÇÃO: Se o motor pára quando você aciona a(s) lâmina(s), o interruptor do assento não está ativado. Verifique se você está sentado no meio no assento.

3. Mova o **controle de rotação da lâmina (1)** para a posição DISENGAGE (Desativar) para parar a(s) lâmina(s). Antes de abandonar a posição do operador, verifique se a(s) lâmina(s) pararam de rodar.

4. Antes de conduzir o equipamento num passeio ou numa estrada, mude o **controle de rotação da lâmina (1)** para a posição DISENGAGE (Desativar).



ATENÇÃO: Mantenha sempre as suas mãos e pés afastados da lâmina, da abertura do deflector, e da cobertura do cortador de grama enquanto o motor estiver a trabalhar.

Como Usar o Pedal de Controle da Velocidade (Figura 5)

O sistema de transmissão utiliza uma transmissão Hidrostática Automática. A transmissão Hidrostática é muito fácil de operar. Este tipo de transmissão não exige uma alavanca de mudanças ou um pedal de embraiagem.

A velocidade e direção do movimento são controladas pelo **pedal de controle da velocidade (4)**, que você opera com o seu pé esquerdo. Não use o pedal do travão esquerdo na operação normal. Use o pedal do travão esquerdo somente para parar rapidamente numa situação de emergência.

Para Avançar

1. (Figura 20) A **desconexão automática da transmissão (1)** tem que estar na **posição DRIVE (Conduzir) (2)**.

2. Levante lentamente o seu pé esquerdo do pedal do travão.

3. Mova o controle do acelerador para a posição FAST (Rápido).

4. (Figura 19) Empurre lentamente o **pedal de controle da velocidade (1)** para a frente (4), até obter a velocidade desejada.

5. Para aumentar a velocidade, mova lentamente o **pedal de controle da velocidade (1)** para a frente. Para reduzir a velocidade, libere lentamente o **pedal de controle da velocidade (1)**, até que o equipamento abrande para a velocidade desejada.

Como Conduzir em Marcha Atrás

1. Olhe para trás.

2. Empurre lentamente o **pedal de controle da velocidade (1)** para a **posição REVERSE (Marcha Atrás) (2)**.

Para Mudar de Direção

CUIDADO: Para mudar de direção, não use o pedal do travão esquerdo. Use somente o pedal de controle da velocidade.

1. Tire lentamente o seu pé do **pedal de controle da velocidade (1)**. O **pedal de controle da velocidade (1)** retorna automaticamente à **posição NEUTRAL (Neutro) (3)**.

2. Quando o equipamento parar, move lentamente o **pedal de controle da velocidade (1)** na direção desejada.

Como Desconectar a Transmissão (Figura 20)

Para empurrar o equipamento, use a **desconexão automática da transmissão (1)** para liberar a transmissão. A **desconexão automática da transmissão (1)** está localizada debaixo do assento.

1. O motor tem que estar desligado.

2. Levante o assento. A **desconexão automática da transmissão (1)** está localizada debaixo do assento.

3. Mova e fixe a **desconexão automática da transmissão (1)** na **posição PUSH (Empurrar) (3)**. A transmissão é liberada e o equipamento pode ser empurrado.

OBSERVAÇÃO: Quando está frio, o óleo muito viscoso da transmissão torna o equipamento difícil de empurrar.

4. Para acionar a transmissão, libere a **desconexão automática da transmissão (1)**. A transmissão fica *engrenada* e pronta a ser usada.

Como Usar o Travão de mão (Figura 5)

1. Pressione o **pedal do travão (2)** completamente para a frente.

2. Levante a **alavanca do travão de mão (6)**.

3. Levante o seu pé do **pedal do travão (2)** e depois solte a **alavanca do travão de mão (6)**. Verifique se o travão de mão consegue imobilizar o equipamento.

4. Para soltar completamente o **travão de mão (6)**, empurre o **pedal do travão (2)** para a frente. O travão de mão será automaticamente liberado.



ATENÇÃO: Antes de deixar a posição do operador, acione o **travão de mão**. Mova o **controle de rotação da lâmina** para a **posição DISENGAGE (Desengrenar)**. Pare o motor e tire a chave da ignição.

Como Mudar a Altura de Corte (Figura 5)

Para mudar a altura de corte, levante ou baixe a **alavanca de levantamento (5)** da seguinte forma.

1. Mova a **alavanca de levantamento (5)** para a frente para baixar a cobertura do cortador de grama ou para trás, para levantar a cobertura do cortador de grama.

2. Ao circular num passeio ou numa estrada, mova a **alavanca de levantamento (5)** para a posição mais elevada e mude o **controle**

de rotação da lâmina para a posição DISENGAGE (Desativar).

Como Parar o Equipamento (Figura 5)

1. Tire lentamente o seu pé do **pedal de controle da velocidade (4)**. O pedal de controle da velocidade (1) retorna automaticamente à posição NEUTRAL (Neutro) e o equipamento pára.
2. Mova o **controle de rotação da lâmina (1)** para a posição DISENGAGE (Desativar).
3. Acione o **travão de mão (6)**.



ATENÇÃO: Verifique se o travão de mão consegue imobilizar o equipamento.

4. Mova o **controle do acelerador (7)** para a posição SLOW (Lento).
5. Para parar o motor, gire a **chave da ignição (3)** para a posição OFF (Desligado). Tire a chave.

Como Transportar o Equipamento

Para transportar o equipamento, siga os passos abaixo.

1. Mude o controle de rotação da lâmina para a posição DISENGAGE (Desativar).
2. Coloque a alavanca de levantamento na posição mais alta.
3. Mude o controle do acelerador para uma posição entre SLOW (Lento) e FAST (Rápido).
4. Empurre lentamente o pedal de controle da velocidade para a frente, até obter a velocidade desejada.

Como Operar a Cobertura do Cortador de Grama

IMPORTANTE: Ao operar a cobertura do cortador de grama, trabalhe sempre com o controle do acelerador na posição FAST (Rápido).

1. Ponha o motor a trabalhar.
2. Mude a alavanca de levantamento para uma posição de altura de corte. Para grama alta ou grossa, corte a grama na posição mais alta primeiro e depois baixe a cobertura do cortador de grama para uma posição mais baixa.
3. Mude o controle do acelerador para a posição SLOW (Lento).
4. Mude lentamente o controle de rotação da lâmina para a posição ENGAGE (Acionar).
5. Mude o controle do acelerador para a posição FAST (Rápido).
6. Empurre lentamente o pedal de controle de velocidade até à velocidade desejada.

OBSERVAÇÃO: Quando você estiver cortando grama pesada ou se estiver usando um ensacador, use uma marcha mais lenta.

7. Verifique se o nível de corte ainda está correto. Após cortar alguma grama, examine a área onde a grama foi cortada. Se a cobertura do cortador de grama não estiver cortando sempre ao mesmo nível, leia as instruções na seção “Como Nivelar a

Cobertura do Cortador de Grama”, na seção de manutenção deste livro de instruções.



ATENÇÃO: Para controlar melhor o equipamento, selecione uma velocidade segura.

Como Operar em Colinas



ATENÇÃO: Não suba nem desça declives demasiado íngremes para transpor. Jamais dirija o equipamento ao longo de um declive.

1. Controle a velocidade usando somente o pedal de controle da velocidade. Não use o pedal do travão quando estiver numa encosta.
2. Para evitar acidentes, acione lentamente o pedal de controle da velocidade. Evite curvas ou mudanças de velocidade súbitas.
3. Para reduzir a velocidade ao descer uma encosta, libere lentamente o pedal de controle de velocidade, até que o equipamento abraque para a velocidade desejada.

Como Parar em Encostas

1. Evite parar em encostas. Se você necessitar de parar rapidamente numa emergência, tire o pé direito do pedal de controle de velocidade e pressione imediatamente o pedal do travão esquerdo.
2. Acione o travão de mão.
3. Antes de levantar-se do assento, mude o controle do acelerador para a posição SLOW (Lento), mova o controle de rotação da lâminaa embraiagem do acessório para a posição DISENGAGED (Desengrenado), desligue o motor e acione o travão de parqueamento.

Como Iniciar a Operação em Encostas

1. Ponha o motor a trabalhar.
2. Mova o controle de rotação da lâminaa embraiagem do acessório para a posição ENGAGED (Engrenado).
3. Mude o controle do acelerador para a posição FAST (Rápido).
4. Pressione o pedal do travão e libere o travão de mão. Enquanto libera o travão de mão, empurre o pedal de controle de velocidade até à velocidade desejada.



Empurre lentamente o pedal de controle da velocidade ao mesmo tempo que libera o travão de mão. O travão de mão tem de estar liberado para que o pedal de controle de velocidade possa acionar a transmissão.

Antes de Pôr o Motor a Trabalhar

Verifique o óleo

OBSERVAÇÃO: O motor é fornecido pela fábrica abastecido de óleo. Verifique o nível do óleo. Se necessário, adicione óleo. Leia as instruções do fabricante do motor para saber qual o tipo de gasolina e óleo que você deve usar.

1. Verifique se o equipamento está equilibrado.
OBSERVAÇÃO: Não verifique o nível do óleo enquanto o motor estiver a trabalhar.
2. Verifique o óleo. Siga o procedimento indicado nas instruções do fabricante do motor.
3. Se necessário, adicione óleo até atingir a marca FULL (Cheio) no indicador de nível. A quantidade de óleo necessária desde a posição ADD (Adicionar) até FULL (Cheio) é mostrada no indicador de nível. Não adicione demasiado óleo.

Adicionar Gasolina



ATENÇÃO: Use sempre um contentor de gasolina de segurança. Não fume enquanto enche o depósito de combustível com gasolina. Não adicione gasolina quando estiver num local fechado. Antes de adicionar gasolina, pare o motor e deixe o motor arrefecer durante alguns minutos.

(Figura 6) Encha o depósito de combustível (1) até à posição FULL (Cheio) (2) com gasolina normal sem chumbo. Não use gasolina extra sem chumbo. Verifique se a gasolina está fria e limpa. A gasolina com chumbo aumenta as substâncias depositadas e diminui a vida das válvulas.

Como Pôr o Motor a Trabalhar



ATENÇÃO: O sistema elétrico possui um sistema de presença do operador que inclui um interruptor sensor no assento. Estes componentes informam o sistema elétrico se o operador está sentado no assento. O sistema pára o motor quando o operador abandona o assento. Para sua proteção, verifique sempre se este sistema está a trabalhar corretamente.

OBSERVAÇÃO: O motor não começará a trabalhar antes de você pressionar o pedal da embraiagem/freio e mudar o controle de rotação da lâmina para a posição DESATIVAR.

1. Pressione o pedal de embraiagem/travão completamente para a frente. Mantenha o seu pé sobre o pedal.
2. Verifique se o controle de rotação da lâmina está na posição DISENGAGE (Desativar).
3. Mova o controle do acelerador completamente para a frente até à posição CHOKE (Afogador) ou FAST (Rápido). Certos modelos possuem um botão de afogador separado. Puxe o botão do afogador até à posição CHOKE (Afogador) final.
4. Gire a chave da ignição para a posição START (Arranque).

OBSERVAÇÃO: Se o motor não começar a trabalhar após quatro ou cinco tentativas, mova o controle do acelerador para a posição FAST (Rápido). Tente pôr o motor a trabalhar novamente. Se o motor não começar a trabalhar, veja a TABELA DE SOLUÇÃO DE PROBLEMAS.

5. Mude lentamente o controle do acelerador para a posição SLOW (Lento).
6. Para pôr o motor a trabalhar quando está quente, mova o controle do acelerador para uma posição entre FAST (Rápido) e SLOW (Lento).

Dicas para Cortar e Ensacar Grama

1. Para que o seu gramado tenha melhor aspecto, verifique o nível de corte da cobertura do cortador de grama. Leia a seção "Como Nivelar a Cobertura do Cortador de Grama", na seção Manutenção.
2. Para que a cobertura do cortador de grama corte sempre ao mesmo nível, verifique se os pneus têm a pressão de ar correta.
3. Sempre que utilizar o equipamento, verifique a lâmina. Se a lâmina estiver quebrada ou danificada, substitua-a imediatamente. Certifique-se também que a porca da lâmina está bem apertada.
4. Mantenha a(s) lâmina(s) afiada(s). As lâminas gastas fazem com que as pontas da grama fiquem marrom.
5. Não corte grama molhada. A grama molhada não é corretamente descarregada. Deixe a grama secar antes de a cortar.
6. Use o lado esquerdo da cobertura do cortador de grama para aparar junto de objetos.
7. Descarregue a grama cortada sobre a área onde a grama foi cortada. O resultado é uma descarga mais uniforme da grama cortada.
8. Quando cortar grama em áreas grandes, comece por virar à direita, de forma que a grama cortada seja descarregada longe de arbustos, cercas, passeios, etc. Após uma ou duas passagens, corte a grama na direção inversa, virando à esquerda, até terminar.
9. Se a grama ainda estiver muito alta, corte duas vezes para reduzir o esforço sobre o motor. Comece por cortar com a cobertura do cortador de grama na posição mais alta e depois baixe a cobertura para o segundo corte.
10. Para obter o melhor desempenho do motor e uma descarga mais uniforme da grama cortada, utilize sempre o motor com o acelerador na posição FAST (Rápido).
11. Se você estiver usando um saco, utilize o motor com o acelerador na posição FAST (Rápido) e pressione o pedal de controle de velocidade até 1/3 ou 1/2.
12. Após cada utilização, limpe o fundo e o topo da cobertura do cortador de grama para obter um bom desempenho. Além disso, a limpeza da cobertura do cortador de grama ajuda a evitar incêndios.

MANUTENÇÃO

OBSERVAÇÃO: As ilustrações e as figuras começam na página 2.

Recomendações Gerais

1. A manutenção deste produto é da responsabilidade do proprietário. Ela aumenta a vida do equipamento e é necessária para manter a cobertura da garantia.
2. Verifique o plugue da vela, o travão, lubrifique o equipamento e limpe o filtro do ar uma vez por ano.
3. Verifique os encaixes. Certifique-se que todos os encaixes estão bem apertados.

F-050744L

4. Leia a seção Manutenção para manter o equipamento em boas condições de operação.



ATENÇÃO: Antes de efetuar cada inspeção, ajuste ou reparação no equipamento, desconecte o fio da vela de ignição. Remova o fio da vela de ignição para evitar o arranque acidental do motor.

OBSERVAÇÃO: A torque é medida em libras de pés (Nm métrico). Esta medida descreve o grau de aperto necessário para um parafuso ou pino. A torque é medida com uma chave inglesa de torque.

Inspeccionar a Lâmina (Figura 7)



ATENÇÃO: Antes de inspecionar ou remover a lâmina, desconecte o fio da vela de ignição. Se a lâmina atingir um objeto, pare o motor. Verifique se existem danos no equipamento. A lâmina possui bordas afiadas. Ao pegar a lâmina, use luvas ou um pano para proteger as suas mãos.

Se você mantiver a lâmina (1) afiada e verificar se existem danos na mesma, a lâmina cortará melhor e será mais segura de operar. Verifique freqüentemente se existem sinais de desgaste excessivo, fendas ou outros danos. Verifique freqüentemente a porca (3) que segura a lâmina (1). Mantenha a porca (3) bem apertada. Se a lâmina atingir um objeto, pare o motor. Desconecte o fio da vela de ignição. Veja se a lâmina está quebrada ou danificada. Verifique se existem danos no adaptador da lâmina (5). Antes de utilizar o equipamento, substitua as peças danificadas com as peças originais do equipamento. Consulte o centro de serviço autorizado da sua área. Cada três anos, peça a um técnico de serviço autorizado para inspecionar a lâmina ou substitua a lâmina antiga com uma peça original do equipamento.

Como Remover e Instalar a Lâmina (Figura 7)

1. Remova a cobertura do cortador de grama. Leia as instruções na seção "Como Remover a Cobertura do Cortador de Grama".
2. Use um pedaço de madeira para impedir a lâmina de girar.
3. Remova a porca (3) que segura a lâmina (1).
4. Verifique a lâmina (1) e o adaptador da lâmina (5) de acordo com as instruções da seção "Inspeccionar a Lâmina". Substitua uma lâmina muito gasta ou danificada com uma lâmina original do equipamento. Consulte um centro de serviço autorizado na sua área.
5. Limpe o topo e o fundo da cobertura do cortador de grama. Remova a grama e os detritos.
6. Monte a lâmina (1) e o adaptador da lâmina (5) sobre o fuso (6).
7. Monte a lâmina (1) de forma que as bordas de levantamento (7) fiquem voltadas para cima. Se a lâmina ficar invertida, ela não cortará corretamente e pode causar um acidente.

8. Aperte a lâmina (1) com os encaixes originais e com a porca (3). Certifique-se que a borda exterior da anilha Belleville (2) está virada contra a lâmina (1).



ATENÇÃO: Mantenha sempre a porca (3) apertada para segurar bem a lâmina (1). Uma porca ou lâmina solta pode causar um acidente.

9. Aperte a porca (3) que segura a lâmina (1) até uma torque de 30 libras de pés (41,5 Nm).
10. Instale a cobertura do cortador de grama. Leia a seção "Como Remover a Cobertura do Cortador de Grama".

Como Ajustar o Controle de Rotação da Lâmina



ATENÇÃO: Para evitar ferimentos, o controle de rotação da lâmina tem de trabalhar corretamente.

Em utilização normal, o controle de rotação da lâmina não requer ajustes. Porém, se o desempenho de corte diminuir ou se a qualidade de corte for baixa, faça as seguintes alterações.

1. Enquanto corta a relva, verifique se o controle do acelerador está na posição FAST (Rápido).
2. (Figura 8) Mova o controle de rotação da lâmina para a posição DISENGAGE (Desativar) (1).
3. Pare o motor. Desconecte o fio da vela de ignição.
4. Verifique a(s) lâmina(s). Tenha sempre a(s) lâmina(s) bem afiada(s). Se a lâmina não estiver afiada, as pontas da grama ficarão marrom.
5. (Figura 9) Desconecte a mola de transmissão da lâmina (2) da haste de controle da lâmina (1). Mova a mola de transmissão da lâmina (2) para o orifício do meio (4). Isso aumentará a tensão da correia de transmissão.
6. Ligue o fio à vela de ignição. Corte alguma grama e volte a verificar a qualidade do corte. Se necessário, mova a mola de transmissão da lâmina (2) para o orifício inferior (5).
7. Verifique novamente o qualidade do corte. Se a qualidade do corte está melhor, substitua a correia de transmissão. Leia a seção "Como Substituir a Correia de Transmissão do Cortador de Grama". Se a substituição da correia não resolver o problema, leve o equipamento a um centro autorizado de serviço.
8. Mova o controle de rotação da lâmina para a posição DISENGAGE (Desativar). Pare o motor.
9. (Figura 10) Verifique a operação do travão da lâmina. Gire os tambores com a sua mão. Certifique-se que as os calços do travão (1) estão firmemente pressionadas contra os tambores.



ATENÇÃO: Se os calços do travão (1) não estiverem firmemente pressionadas contra os tambores, leve o equipamento a um centro de serviço autorizado.

10. (Figura 8) Mova o controle de rotação da lâmina para a posição ENGAGE (Acionar) (2).

- (Figura 10)** Procure o **travão da lâmina (7)** nos calços. Se as sapatas estiverem demasiado gastas ou danificadas, substitua as montagens dos calços do travão. Você pode procurar as peças de substituição corretas e assistência num centro de serviço autorizado.
- Ligue o fio da vela de ignição. Corte alguma grama e verifique novamente a operação do controle de rotação da lâmina.
- Quando você move o controle de rotação da lâmina para a posição DISENGAGE (Desativar), todo o movimento pára após cinco segundos. Se houver movimentos na correia ou se as lâminas continuarem a rodar, acione e desative o controle de rotação da lâmina cinco vezes para remover excessos de borracha da nova correia de transmissão do cortador de grama. Se você necessitar de assistência, leve o equipamento a um centro de serviço autorizado.
- (Figura 9)** Quando você substituir a correia de transmissão do cortador de grama, mova a **mola de transmissão da lâmina (2)** para o **orifício superior (3)**.

Como Verificar e Ajustar a Correia de Transmissão (Figura 18 e Figura 21)

Se a correia de transmissão estiver solta, ela pode escorregar quando: você sobe uma encosta, puxa uma carga pesada ou quando o equipamento não consegue avançar.

IMPORTANTE: Trabalhe sempre com o motor na posição FAST (Rápido). Se a velocidade do motor estiver numa posição lenta ou moderada, o motor e a transmissão podem aquecer demasiado e causar problemas como uma correia de transmissão solta.



ATENÇÃO: Antes de efetuar cada inspeção, ajuste ou reparo no equipamento, desconecte o fio da vela de ignição. Remova o fio do plugue da vela para evitar o arranque acidental do motor.

- (Figura 21)** Verifique a rotação da **correia de transmissão (6)**. Certifique-se que a **correia de transmissão (6)** está instalada correctamente e está dentro de todas as guias da correia (7).
- (Figura 18)** Remova o **pino de chaveta (1)** da anilha (2).
- (Figura 21)** Alinhe o orifício na **alavanca do travão (3)** com o orifício da armação. Fixe a **alavanca do travão (3)** no local adequado com um pino ou com uma **cavilha (4)** com 1/4 de polegada (6 mm).
- (Figura 18)** Rode a **corrente da embraiagem (1)** até que o **orifício da montagem (5)** da corrente da embraiagem (1) esteja alinhado com o **orifício da montagem (5)** na anilha (2).
- Ligue o **pino de chaveta (1)** com a **anilha (2)**.
- (Figura 21)** Remova o **pino (4)** ou a **cavilha (4)** com 1/4 polegada (6 mm).
- Se a correia ainda escorregar após ter sido ajustada, ela está gasta ou danificada e tem que ser substituída. Leia a seção “Como

F-050744L

Substituir a Correia de Transmissão do Cortador de Grama”.

Como Verificar e Ajustar o Travão da Transmissão (Figura 12 e 20)

(Figura 20) Accione o **pedal do travão**. Mova a **desconexão automática (1)** para a posição **EMPURRAR (3)**. Empurre o equipamento. Se as rodas traseiras girarem, ajuste ou substitua os claços do travão.

Ajuste o **travão da transmissão (4)** da seguinte forma:

- (Figura 12)** O **travão da transmissão (4)** está localizado no lado direito da **caixa de velocidades (5)**.
- (Figura 20)** Certifique-se que o **travão de mão** está accionado e que a **desconexão automática da transmissão (1)** está na posição **EMPURRAR (3)**.
- (Figura 12)** Rode a **porca hexagonal (6)** no sentido dos ponteiros do relógio, para que as rodas traseiras não girem quando o equipamento é empurrado para a frente.
- Libere o travão de mão e empurre o equipamento. Se o equipamento não rolar, gire a **porca hexagonal (6)** no sentido anti-horário até que o equipamento role.
- Acione o travão de mão. Empurre o equipamento. Se as rodas traseiras não girarem, o **travão da transmissão (4)** está correctamente ajustado. Solte o travão de mão.



ATENÇÃO: Se você não conseguir ajustar correctamente o travão da transmissão, substitua os calços do travão. Você pode procurar as peças de substituição corretas e assistência num centro de serviço autorizado.

Como Remover a Bateria (Figura 4)

Para carregar ou limpar a **bateria (1)**, remova a **bateria (1)** do equipamento da seguinte forma.



ATENÇÃO: Para evitar faíscas, desconecte o **cabo preto da bateria (8)** do **borne negativo (-)** antes de desconectar o **cabo vermelho (5)**.



ATENÇÃO: A bateria contém ácido sulfúrico, perigoso para a sua pele, olhos e roupas. Se o ácido entrar em contato com o seu corpo ou roupas, lave-os com água.

- Desconecte o **cabo preto (8)** do borne negativo (-).
- Desconecte o **cabo vermelho (5)** do **borne positivo (+)** (4).
- Levante a **bandeja da bateria (3)** e retire a **bateria (1)** para fora do equipamento.

Como Carregar a Bateria (Figura 4)



ATENÇÃO: Enquanto você estiver carregando a bateria, não fume. Mantenha a bateria afastada de qualquer faísca. Os gases do ácido da bateria podem causar uma explosão.

- Antes de você carregar a **bateria (1)**, remova a **bateria (1)**.

- Para carregar a **bateria (1)**, use um carregador de baterias de 12 volts. Efetue o carregamento a uma taxa de 6 amperes durante 1 hora.
- Instale a **bateria (1)**.



ATENÇÃO: Para evitar faíscas, fixe o **cabo vermelho no borne positivo (+)** antes de conectar o **cabo preto**.

- Usando os encaixes, fixe o **cabo vermelho (5)** ao **borne positivo (+)** (4), da forma mostrada.
- Usando os encaixes, fixe o **cabo preto (8)** no borne negativo (-), da forma mostrada.

Como Ajustar as Rodas de Nível

Os parafusos de eixo das rodas de nível foram montados na posição de corte LOW (Baixa). Para mudar a posição das rodas de nível, ajuste os parafusos do eixo da seguinte forma.

IMPORTANTE: Antes de ajustar as rodas de nível, faça o seguinte. Verifique se a cobertura do cortador de grama está nivelada. Verifique se a altura do corte está ajustada para a altura com que você deseja cortar a grama. Corte alguma grama, sobre uma área plana, e observe a área cortada. Se a cobertura do cortador de grama não está cortando sempre ao mesmo nível, veja as instruções da seção “Como Nivelar a Cobertura do Cortador de Grama”.



ATENÇÃO: Antes de você efetuar um ajuste ou reparo no equipamento, de fio do plugue da vela. Remova o plugue para evitar o arranque acidental do motor.

- (Figura 22 ilustração “1”)** Remova as **rodas de nível (12)** e os **parafusos do eixo (11)**.
- (Figura 13)** Corte alguma grama, em uma área plana para verificar o nível e a altura do corte. Observe o **número da posição da altura do corte (3)** marcado na **alavanca de suspensão (1)**.
- (Figura 22, ilustração “1”)** Observe os dois **suportes da roda de nível (13)**. Existem 3 orifícios em cada suporte e um número junto de cada orifício. O número da posição da altura de corte, marcado na alavanca de suspensão, indica o orifício correto que você deve usar em cada **suporte da roda de nível (13)**.
OBSERVAÇÃO: O orifício número 1 do suporte da Roda equivale à posição número 1 da alavanca de suspensão, o orifício número 2 do suporte da Roda equivale à posição número 2 da alavanca de suspensão, o orifício número 3 do suporte da Roda equivale às posições número 3,4,5,6 da alavanca de suspensão.
- Monte os **parafusos do eixo (11)** nos **suportes da roda de nível (13)** usando o orifício correto do suporte, como indicado.

NOTA: Se a posição da altura do corte for ajustada usando a alavanca de suspensão, você terá que mover as rodas de nível para o orifício correto para manter o nível correto da altura de corte.

Como Nivelar a Cobertura do Cortador de Grama (Figuras 13 e 14)

Se a cobertura do cortador de grama estiver nivelada, a lâmina cortará mais facilmente e o gramado terá melhor aspecto.



ATENÇÃO: Antes de efetuar cada inspeção, ajuste ou reparo no equipamento, desconecte o fio da vela de ignição. Remova o fio do plugue da vela para evitar o arranque acidental do motor.

1. Verifique se o equipamento está colocado sobre uma superfície plana e dura.
2. Verifique a pressão de ar dos pneus. Se a pressão do ar estiver incorreta, a cobertura do cortador de grama não cortará sempre ao mesmo nível. A pressão de ar correta é: Pneus Frontais 0,97 BAR (14 PSI), Pneus Traseiros 0,69 BAR (10 PSI).
3. Quando equipado, remova as rodas da guia.
4. **(Figura 13)** Mova a **alavanca de levantamento (1)** para a **posição de ajuste de nível (2)**.



ATENÇÃO: A alavanca de levantamento (1) está sob a pressão de uma mola. Certifique-se que a alavanca de levantamento (1) está fixa na posição de ajuste de nível (2).

5. **(Figura 14)** Solte os **botões de ajuste (1)** esquerdo e direito. Pressione os dois lados da cobertura do cortador de grama. Certifique-se que ambos os lados da cobertura do cortador de grama estão sobre uma superfície plana. Verifique também se as **juntas de suspensão (2)** estão soltas e se podem subir e descer livremente.
6. Pressione as **juntas de suspensão (2)** e aperte os **botões de ajuste (1)** esquerdo e direito. Se necessário, use uma chave inglesa para apertar os **botões de ajuste (1)**.
7. **(Figura 13)** Levante a **alavanca de levantamento (1)** da **posição de ajuste de nível (2)** para uma **posição de altura de corte**.
8. Quando equipado, monte as rodas na guia.
9. Corte uma pequena distância de grama. Se a altura do corte não estiver nivelada, repita os passos acima.

Locais a Lubrificar (Figura 15)



Modelos com junções lubrificadas: Lubrifique com uma pistola de óleo.
Aplique massa lubrificante com uma escova nas áreas mostradas.
Lubrifique as áreas mostradas com óleo de motor.

OBSERVAÇÃO: Aplique massa lubrificante na montagem do volante.

CUIDADO: Se você usar o equipamento em áreas secas onde existe areia, use um spray de grafite seca para lubrificar o equipamento.

F-050744L

Verifique os Pneus

Verifique a pressão de ar dos pneus. Uma pressão de ar excessiva nos pneus fará o equipamento andar desequilibrado. Além disso, uma pressão de ar errada impede que a cobertura do cortador de grama atinja o nível de corte. A pressão de ar correta é: Pneus Frontais 0,97 BAR (14 PSI), Pneus Traseiros 0,69 BAR (10 PSI).

Como Substituir a Correia de Transmissão

1. Remova a cobertura do cortador de grama. Leia as instruções na seção "Como Remover a Cobertura do Cortador de Grama".
2. **(Figura 16)** Remova o tambor do mecanismo de suspensão central (4).
3. Desengate a mola do mecanismo de suspensão (7).
4. Remova o tambor do mecanismo de suspensão (8) e o separador (9).
5. Remova o tambor do mecanismo de suspensão-V (5) e o separador (13).
6. Remova a correia de transmissão (1) do tambor acionador (6).
7. **(Figura 17)** Para remover a correia de transmissão de (1) do tambor empilhado (2), puxe a extremidade frontal da correia por baixo do tambor empilhado (2) e depois para trás, entre o tambor empilhado e a chapa da direção (3).
8. **(Figura 11)** Remova o painel de acesso (10).
9. Remova os dois parafusos (11) que unem a montagem do eixo da direção (12). Levante a roda da direção e a montagem do eixo da direção (12). Empurre a correia de transmissão (1) para baixo da montagem do eixo da direção (12).
10. Remova a correia de transmissão (1). Poderá obter uma peça de substituição adequada ou assistência num Centro de Assistência Autorizado da sua área.
11. Para instalar a correia de transmissão, inverta os passos anteriores.
12. **(Figura 16)** Verifique o caminho da correia de transmissão (1). Certifique-se que a correia de transmissão está correctamente instalada nos tambores do mecanismo de suspensão.
13. Antes de utilizar o equipamento, verifique o ajuste da embraiagem. Veja as instruções "Como Verificar e Ajustar a Embraiagem".
14. Instale a caixa de engrenagem do cortador de relva. Veja as instruções "Como Instalar a Caixa de Engrenagem do Cortador de Relva".

Como Substituir a Correia de Transmissão do Cortador de Grama (Figura 10)

1. Remova a cobertura do cortador de grama. Leia as instruções na seção "Como Remover a Cobertura do Cortador de Grama".
2. Puxe o retentor da correia (1) para fora do tambor do mecanismo de suspensão (2) e remova a correia de transmissão do cortador de grama (3).

3. Puxe o retentor da correia (4) para fora do tambor do fuso direito (5) e remova a correia de transmissão do cortador de grama (3).
4. Puxe o retentor da correia (4) para fora do tambor do fuso esquerdo (6) e remova a correia de transmissão do cortador de grama (3). Você pode procurar as peças de substituição corretas e assistência num Centro de Serviço Autorizado na sua área.
5. Para instalar a correia de transmissão do cortador de grama, inverta os passos anteriores.

Como Remover a Cobertura do Cortador de Grama (Figura 22)

1. Mova o controle de rotação da lâmina (1) para a posição DESATIVAR.
2. Mova a alavanca de levantamento (2) para a posição de ajuste de nível.



A alavanca de elevação é de mola aramada. Certifique-se que a alavanca de elevação está travada na posição AJUSTE DE NÍVEL.

3. Remova os ganchos e as anilhas dos braços de ajuste (3). Veja as ilustrações "C" e "D".
4. Remova os ganchos e as anilhas das ligações da suspensão (4). Veja as ilustrações "A" e "B".
5. Desconecte a mola de extensão (5) da haste de controle da lâmina (6). Veja a ilustração "E".
6. Desconecte o suporte frontal (9) do eixo de suporte. Veja a ilustração "F".
7. Remova a correia de transmissão do cortador de grama (7) do tambor empilhado (8).
8. Puxe a cobertura do cortador de grama para fora, a partir do lado direito do equipamento.
9. Para instalar a cobertura do cortador de grama, inverta os passos anteriores.

Como Substituir o Fusível

Se o fusível estiver queimado, o motor não pode trabalhar. Remova o fusível e substitua-o com um fusível de automóvel de 15 amp.

Armazenamento (mais de 30 dias)

No final de cada ano, prepare o equipamento para armazenamento da seguinte forma.

1. Esvazie o combustível do carburador e do tanque de combustível. Mude o óleo do motor. Leia as instruções do fabricante do motor.
2. Limpe totalmente o equipamento.
3. Carregue a bateria.

Como Encomendar Peças de Substituição

As peças de substituição são mostradas quer nas últimas páginas deste Manual de Instruções quer no Manual de Listagem de Peças separado.

Use somente peças de substituição autorizadas ou aprovadas pelo fabricante. A letra no final do número de peça indica o tipo de acabamento utilizado na peça, C para crômio, Z para zinco, PA para montagem adquirida. É importante que você mencione essa letra quando encomenda uma peça. Não use anexos ou acessórios que não foram projetados especificamente para este equipamento. Para obter peças de substituição corretas, você tem que fornecer o número de modelo do seu cortador de grama (veja a chapa de referência).

As peças de substituição, exceto o motor, a transmissão, o eixo transversal e o diferencial, estão disponíveis no armazém onde o cortador de grama foi adquirido ou num centro de serviço recomendado pelo armazém.

Se você não encontrar as peças ou o serviço nos locais acima, contate:

HAYTER LIMITED,
Service Department,
Spellbrook,
Bishop's Stortford,
Hertfordshire. CM23 4BU.

MURRAY, INC.
International Sales
P.O. Box 268
Brentwood, Tennessee USA 37024
1-800-251-8007
Fax (615) 373-6633 Não serão aceitas chamadas a pagar no destino.

As peças de substituição para o motor, eixo transversal ou transmissão também podem ser obtidas a partir do centro de serviço autorizado do fabricante, indicado nas páginas comerciais da lista telefônica. Veja também as garantias próprias do motor e da transmissão para encomendar peças de substituição.

Para encomendar, você necessita providenciar a seguinte informação:

- (1) O Número do Modelo
- (2) O Número Serial
- (3) O Número da Peça
- (4) A Quantidade

TABELA DE SOLUÇÃO DE PROBLEMAS

PROBLEMA: O motor não arranca.

1. Siga os passos descritos na seção “Como Pôr o Motor a Trabalhar” deste manual.
2. Modelos de Arranque Elétrico: Limpe os bornes da bateria. Aperte bem os cabos.
3. Veja se existem fios soltos. Aperte os interruptores de limite (veja o diagrama da fiação).
4. Esvazie o tanque de combustível. Limpe a conduta de combustível. Substitua o filtro de combustível.
5. Remova o(s) plugue(s) da(s) vela(s). Mude o acelerador para a posição SLOW (Lento). Mude a chave da ignição para a posição ON (Ligado). Tente pôr o motor a trabalhar várias vezes. Coloque o plugue na vela.
6. Substitua o plugue da vela.
7. Ajuste o carburador.

PROBLEMA: O motor não trabalha.

1. Siga os passos descritos na seção “Como Pôr o Motor a Trabalhar” deste manual.
2. Modelos de Arranque Elétrico: Carregue a bateria.
3. Substitua o fusível.
4. Examine a rede de fiação para ver se existem danos ou uma conexão solta. Repare o fio danificado.
5. Modelos de Arranque Elétrico: substitua o solenóide. Modelos com Arranque de Recuo: substitua o módulo.

PROBLEMA: É difícil pôr o motor a trabalhar.

1. Ajuste o carburador.
2. Substitua o plugue da vela.
3. Substitua o filtro de combustível.

PROBLEMA: O funcionamento do motor não é estável ou o motor perde potência.

1. Verifique o óleo.
2. Limpe o filtro do ar.
3. Limpe a rede do ar.
4. Substitua o plugue da vela.
5. O motor está sendo forçado. Utilize uma velocidade mais baixa.
6. Ajuste o carburador.
7. Substitua o filtro de combustível.

F-050744L

PROBLEMA: O funcionamento do motor não é estável em altas velocidades.

1. Substitua o plugue da vela.
2. Ajuste o controle do acelerador.
3. Limpe o filtro do ar.
4. Substitua o filtro de combustível.

PROBLEMA: O motor pára quando as lâminas são acionadas.

1. Examine a rede de fiação para ver se existem danos ou uma conexão solta. Repare o fio danificado.
2. O saco da grama tem de estar instalado (somente nos modelos com saco de grama de descarga traseira).

PROBLEMA: Nos declives, o motor pára.

1. Corte a grama subindo e descendo os declives. Nunca atravesse os declives na diagonal.

PROBLEMA: O motor não suspende a operação.

1. Substitua o plugue da vela.
2. Limpe o filtro do ar.
3. Ajuste o carburador.
4. Ajuste o controle do acelerador.
5. Esvazie o tanque de combustível. Limpe a conduta de combustível. Substitua o filtro de combustível.

PROBLEMA: Quando o motor aquece, há uma perda de potência.

1. Limpe a rede do ar.
2. Verifique o óleo.
3. Ajuste o carburador.
4. Substitua o filtro de combustível.

PROBLEMA: Vibração excessiva.

1. Substitua a lâmina.
2. Verifique se existem parafusos soltos no motor.
3. Reduza a pressão de ar nos pneus.
4. Ajuste o carburador.
5. Verifique se a correia ou o tambor estão danificados. Substitua as peças danificadas.

PROBLEMA: A grama não é evacuada corretamente.

1. Pare o motor. Limpe a cobertura do cortador de grama.
2. Aumente a altura de corte.
3. Substitua ou mande afiar a(s) lâmina(s).

4. Mude a alavanca das mudanças para uma marcha mais lenta.
5. Mude o controle do acelerador para a posição FAST (Rápido).
6. Substitua a mola do mecanismo de suspensão da lâmina.
7. Limpe o tubo de extensão e o tubo de conexão (somente nos modelos com saco de grama de descarga traseira).

PROBLEMA: A cobertura do cortador de grama não corta sempre ao mesmo nível.

1. Verifique a pressão de ar dos pneus.
2. Ajuste o nível da cobertura do cortador de grama.
3. Verifique o eixo frontal. Se o eixo não rodar livremente, alivie o(s) parafuso(s) do eixo.

PROBLEMA: As lâminas do cortador de grama não rodam.

1. Verifique a correia de transmissão do cortador de grama. Verifique se a correia está corretamente instalada.
2. Substitua a correia de transmissão do cortador de grama.

PROBLEMA: O equipamento não se move quando o freio é liberado e o pedal de controle de velocidade é pressionado.

1. Verifique a correia de transmissão. Verifique se a correia está corretamente instalada.
2. Ajuste a embraiagem.
3. Substitua a correia de transmissão.
4. Libere a Desconexão Automática da Transmissão, localizada por baixo do assento.

PROBLEMA: O equipamento move-se mais lentamente ou pára quando o pedal de controle de velocidade é pressionado.

1. Ajuste a embraiagem.
2. Substitua a correia de transmissão.

PROBLEMA: Quando o pedal do freio é liberado, a correia faz ruídos.

1. Os ruídos temporários da correia não afetam o funcionamento do equipamento. Se o ruído da correia é contínuo, verifique a colocação da correia. Verifique se a correia está dentro de todas as suas guias.
2. Se o ruído é contínuo, ajuste a embraiagem.

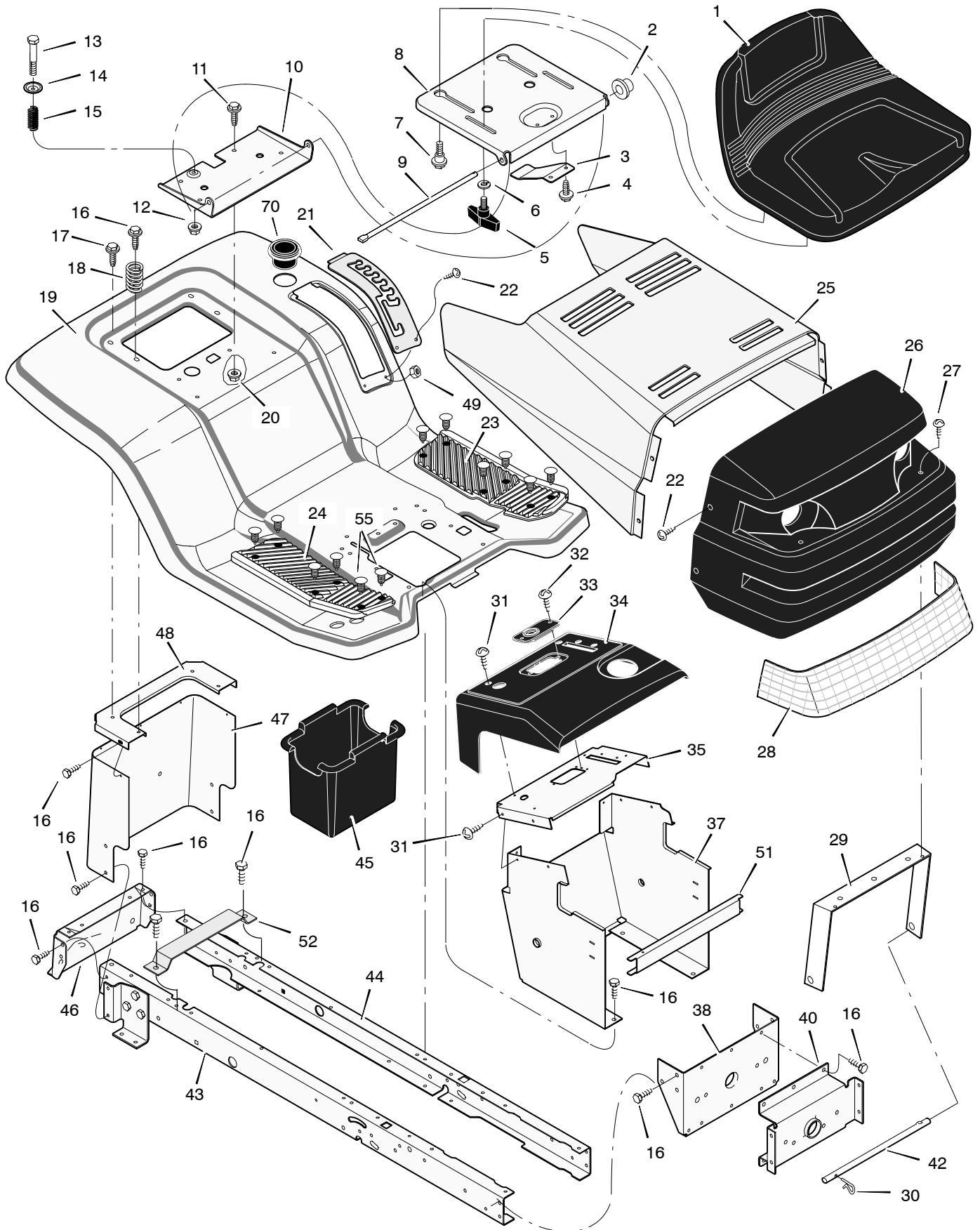
PROBLEMA: As rodas traseiras giram no vazio em terrenos irregulares.

1. Verifique o eixo frontal. Se o eixo não rodar livremente, alivie o(s) parafuso(s) do eixo.

- Ⓒ ***Parts List*** - Model 425607x52A
- Ⓕ ***Liste de pièces*** - Modèle 425607x52A
- Ⓓ ***Teileliste*** - Modell 425607x52A
- Ⓘ ***Elenco pezzi*** - Modello 425607x52A
- Ⓝ ***Onderdelenlijst*** - Model 425607x52A
- Ⓓ ***Reservedelsliste*** - Model 425607x52A
- Ⓝ ***Deleliste*** - Modell 425607x52A
- Ⓢ ***Reservdelslista*** - Modell 425607x52A
- Ⓢ ***Varaosaluettelo*** - Malli 425607x52A
- Ⓔ ***Lista de partes*** - Modelo 425607x52A
- Ⓟ ***Peças de substituição*** - Modelo 425607x52A

MODEL 425607x52A

REPAIR PARTS CHASSIS & HOOD



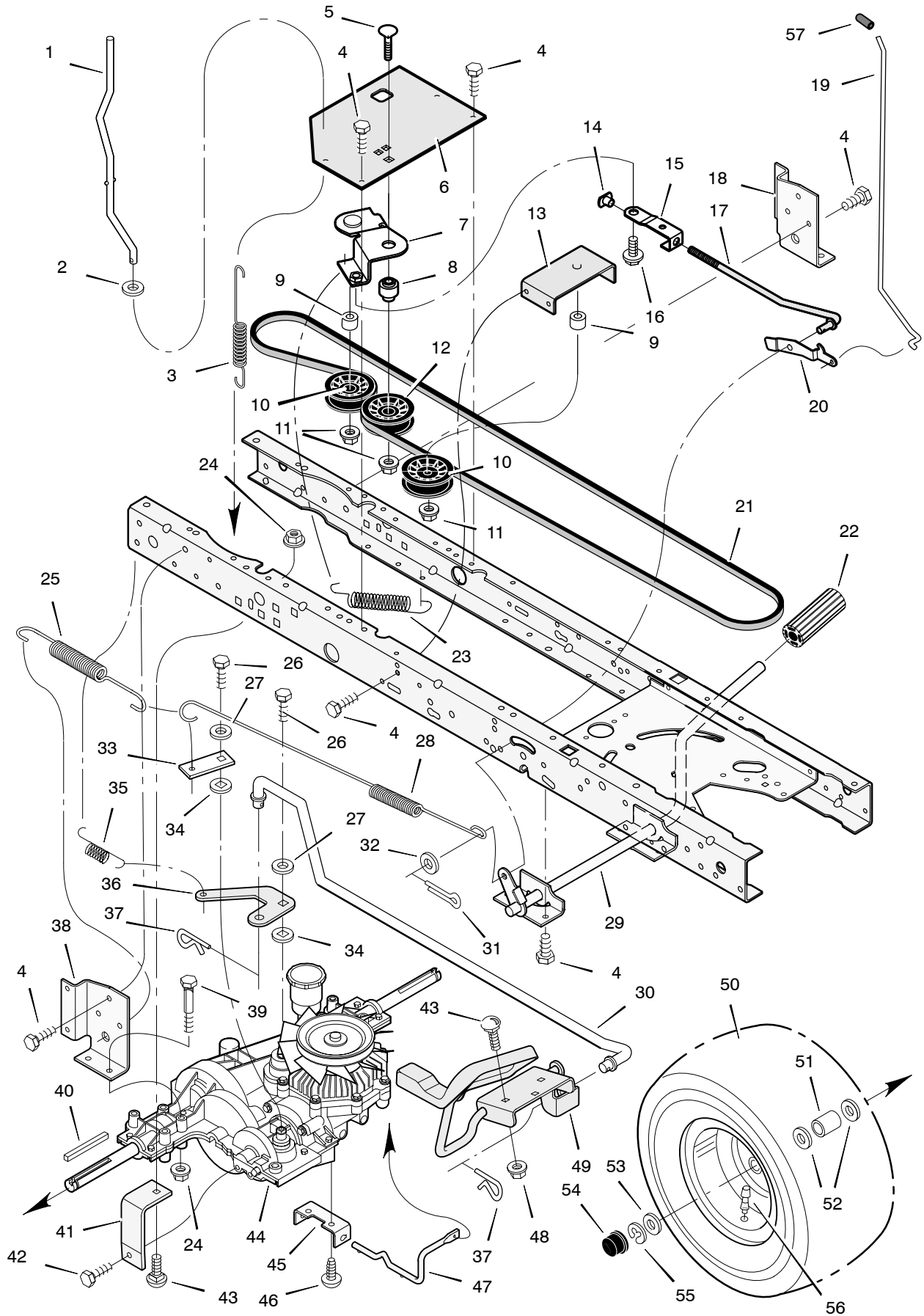
MODEL 425607x52A

REPAIR PARTS CHASSIS & HOOD

Key No.	Part No.	Description	Key No.	Part No.	Description
1	1001028	Seat	28	092334	Lens
2	028x23	Cap, Push On	29	092448	Brace, Grille
3	094057	Spring	30	0031x4	Pin, Hair
4	26x229	Screw	31	26x270	Screw
5	1001054	Bolt, Wing	32	26x238	Screw
6	017x47	Washer	33	094214	Bearing, Steering
7	009x56	Bolt, Shoulder	34	094218E701	Dash
8	094154E701	Support, Seat	35	094211E700	Plate, Dash
9	094156 Z	Rod, Pivot	36	093007E701	Panel, Access
10	1001648E700	Bracket, Pivot	37	095323E701	Support, Dash
11	001x45	Bolt	38	1001270E701	Bracket, Rear Hanger
12	015x89	Nut	40	094007E701	Axle, Hanger
13	009x55	Bolt, Shoulder	42	092332 Z	Rod, Pivot
14	094155 Z	Washer	43	1001928E701	Frame, Right
15	164x31	Spring	44	1001927E701	Frame, Left
16	26x249	Screw	45	690424	Container, Battery
17	26x263	Screw	46	1001002E701	Plate, Hitch
18	164x30	Spring	47	1001906E013	Panel, Rear
19	1001556E013	Deck, Seat	48	094186E013	Top, Rear Plate
20	015x88	Nut	49	015x81	Nut
21	094886E701	Plate, Index	51	094215E700	Channel
23	095408	Mat, Left	52	690482E701	Support, Battery
24	095409	Mat, Right	55	0193x1	Plug, Panel
25	092333E013	Hood	70	1001542	Holder, Cup
26	092350E701	Grille Assembly (Includes Lens)	--	F-050744L	Instruction Book & Parts List
27	26x239	Screw			

MODEL 425607x52A

REPAIR PARTS DRIVE ASSEMBLY



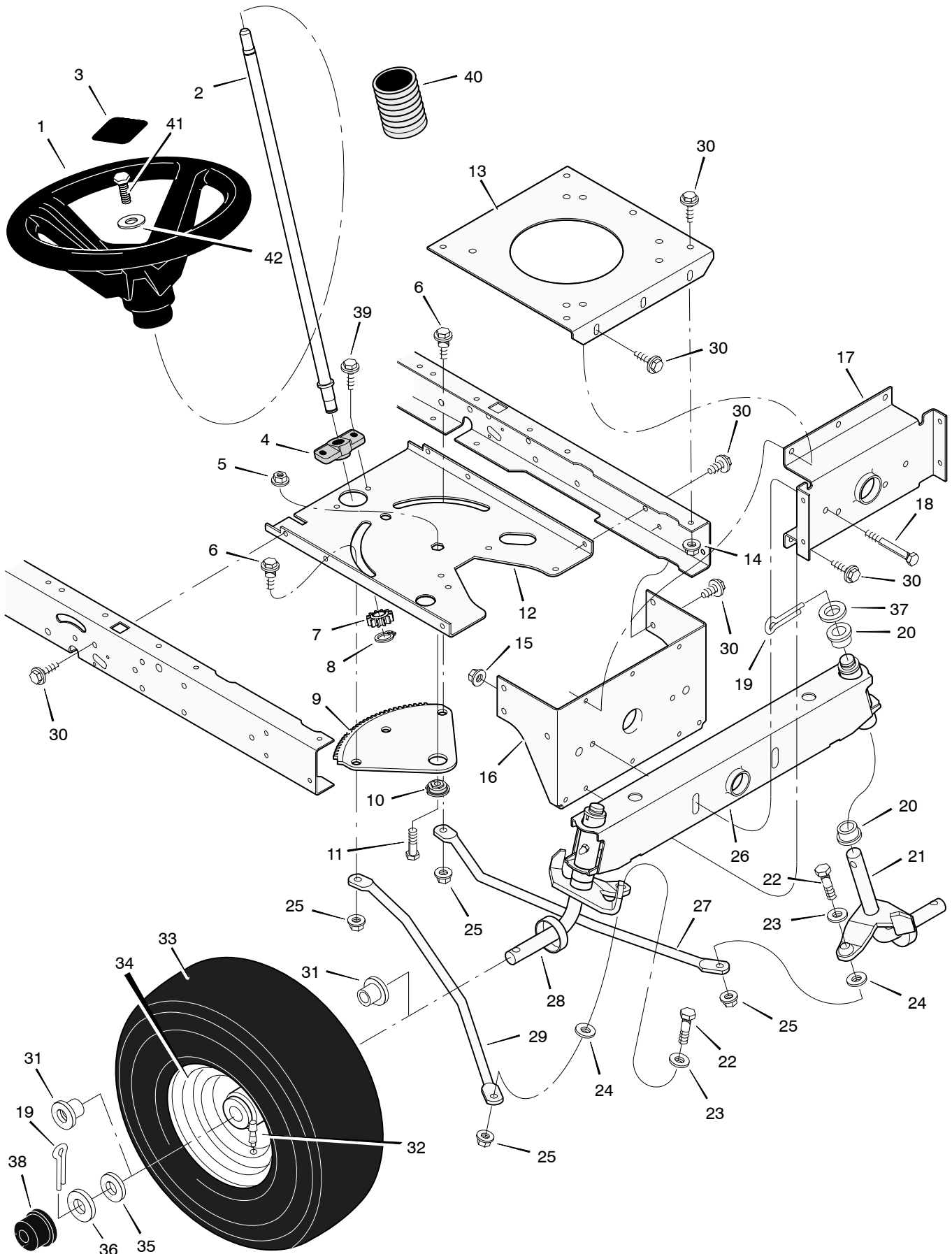
MODEL 425607x52A

REPAIR PARTS DRIVE ASSEMBLY

Key No.	Part No.	Description	Key No.	Part No.	Description
1	1001863	Rod, Dump	31	030x20	Pin, Cotter
2	017x44	Washer	32	017x48	Washer
3	165x136	Spring-Extension	33	094419 Z	Arm, Brake
4	26x249	Screw	34	17x148	Washer
5	002x92	Bolt, Carriage	35	165x127	Spring-Extension
6	1001108E701	Bracket, Idler Pivot	36	094418 Z	Arm, Control
7	1001018 Z	Assy-Idler Arm	37	0031x4	Pin, Hair
8	1001012	Pivot Bushing	38	094184E701	Bracket, T/A -RH
9	690369	Spacer	39	01x155	Bolt, Hex
10	690409	Idler Pulley	40	021553	Square Key -3/16
11	015x98	Locknut, Flange	41	095022E701	Strap-Torque
12	690410	Idler Pulley	42	26x216	Screw
13	1001097E701	Idler, Bracket Assy.	43	002x64	Bolt, Carriage
14	1001014	Nut-Tee	44	- - - * - - -	Transaxle, Dana Hydro 6500-3
15	1001007 Z	Link-Clutch	45	092603 Z	Bracket, Dump Valve
16	009x49	Shoulder Bolt	46	0025x9	Screw-Thread Form
17	1001013 Z	Rod-Clutch	47	093247	Rod-Dump Valve
18	094185E701	Bracket, T/A -LH	48	015x79	Nut, Hex Flange
19	1001271 Z	Rod-Parking Brake	49	1001231E701	Assy-Hydro Pedal
20	094045 Z	Latch, Parking Brake	50	092300-601	Wheel & Tire
21	37x144	V-Belt, Dana Hydro	- -	024380	Tire Only
22	021544	Pedal-Clutch/Brake	- -	407049	Tube Only
23	165x155	Spring-Clutch	51	690553 Z	Spacer
24	015x88	Locknut, Flange	52	17x160	Washer
25	165x92	Spring-Extension	53	17x195	Washer
26	06x105	Cap Screw	54	094618	Cap, Hub
27	017x38	Washer	55	0011x3	E-Ring
28	165x122	Spring-Brake	56	024373	Valve Stem/Cap
29	094038E700	Lever Brake/Clutch	57	091079	Grip
30	1001862	Rod, Control			

* For information on Replacement Parts for this transaxle contact the manufacturer.

** When you order a tire, make sure to give the brand name of the tire so that the tread pattern on the tire will match.



MODEL 425607x52A

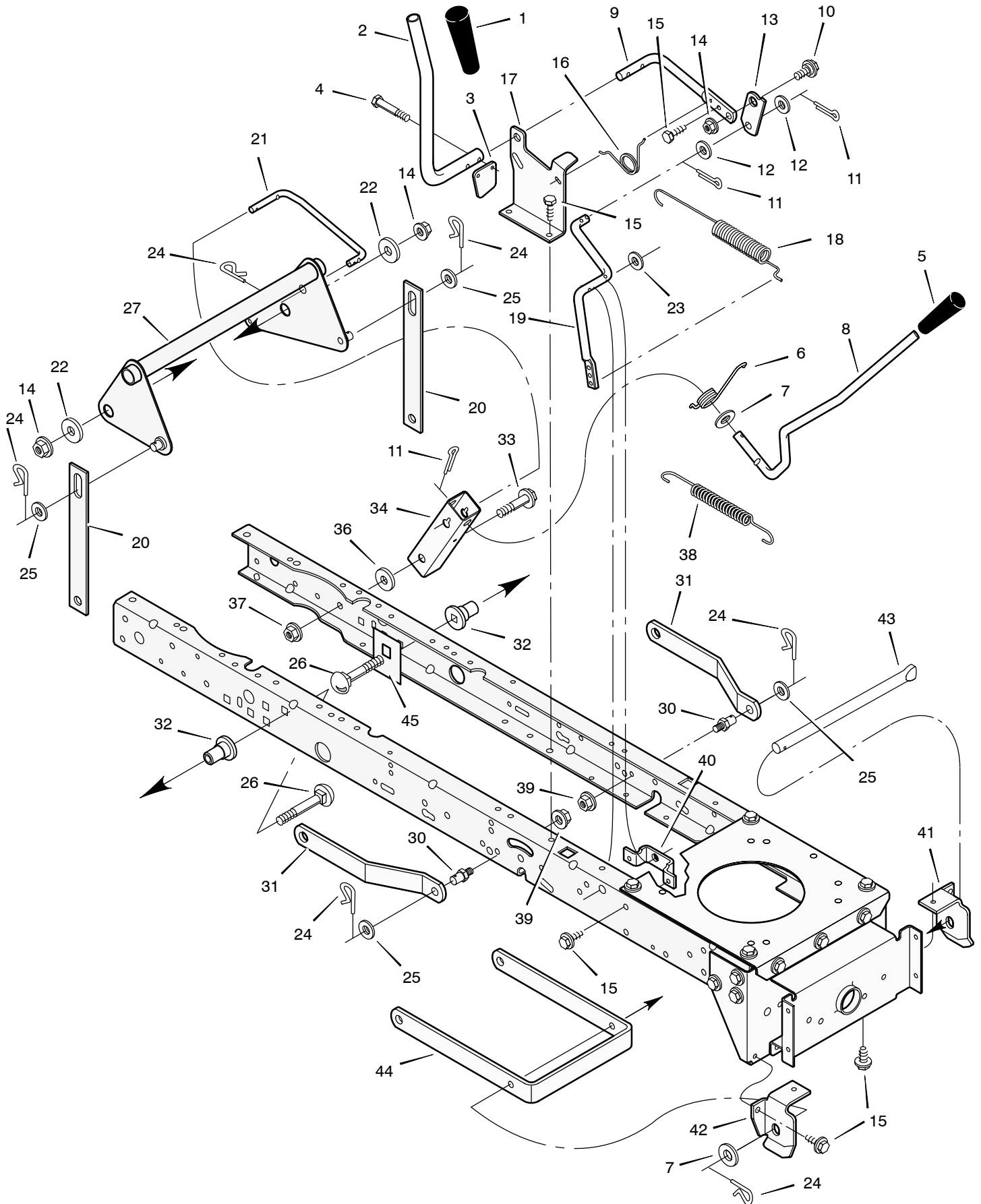
REPAIR PARTS STEERING

Key No.	Part No.	Description	Key No.	Part No.	Description
1	095185	Wheel, Steering	23	17x104	Washer
2	690626	Post, Steering	24	017x53 Z	Washer
3	711326	Insert, Steering Wheel	25	015x84	Nut, Flange
4	094124	Bearing	26	690211	Axle Assembly
5	15x111	Nut, Flange	27	095329E701	Drag Link, Left
6	009x57	Bolt, Shoulder	28	094575E701	Spindle Assembly, Right
7	1001893	Gear, Pinion	29	095328E701	Drag Link, Right
8	011x25	Ring, Snap	30	26x249	Screw
9	094121	Gear, Sector	31	091334	Bearing, Wheel
10	094123	Bearing	32	024373	Stem, Valve
11	001x84	Bolt	33	091923	Tire *
12	1001121E701	Plate, Steering	--	407924	Tube
13	094006E701	Plate, Engine	34	094581-601	Wheel and Tire Assembly
14	015x88	Nut, Flange	35	17x195	Washer
15	15x118	Nut, Flange	36	17x192	Washer
16	1001270E701	Bracket, Hanger	37	17x113	Washer
17	094007E701	Axle, Hanger	38	094618	Hub Cap
18	01x146	Bolt	39	26x267	Screw
19	030x49	Pin, Cotter	40	054789	Bellows
20	690150	Bearing	41	0025x3	Bolt
21	094576E701	Spindle Assembly, Left	42	17x146	Washer
22	01x111	Bolt			

* When you order a tire, make sure to give the brand name of the tire so that the tread pattern on the tire will match.

MODEL 425607x52A

REPAIR PARTS MOWER HOUSING SUSPENSION



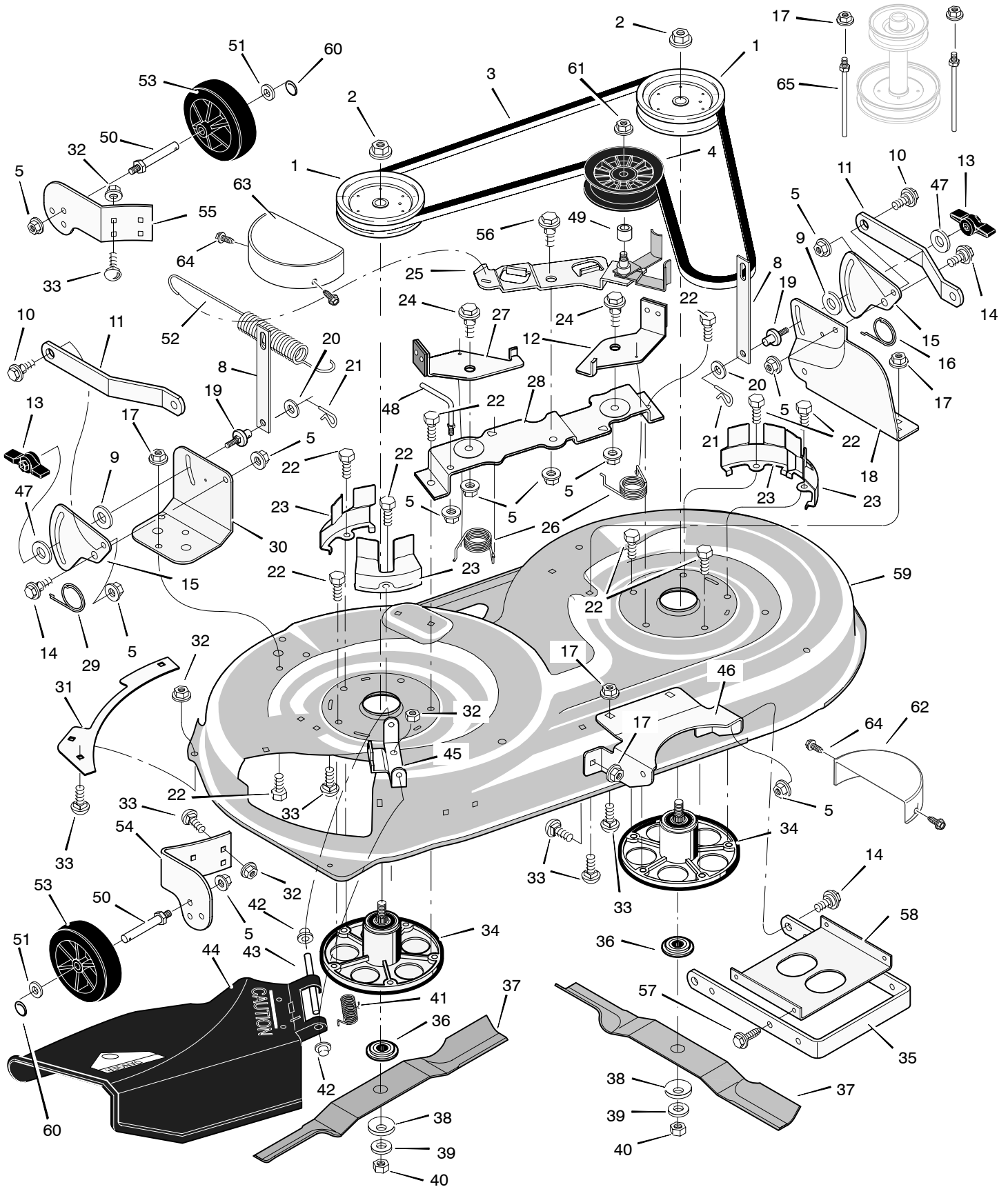
MODEL 425607x52A

REPAIR PARTS MOWER HOUSING SUSPENSION

Key No.	Part No.	Description	Key No.	Part No.	Description
1	092698	Grip, PTO	23	017x57	Washer
2	094346 Z	Handle, PTO	24	0031x4	Pin, Hair
3	094022 Z	Pad, Switch	25	017x91	Washer
4	0025x3	Bolt	26	002x85	Bolt, Carriage
5	092697	Grip	27	1001111E700	Lever Assembly, Lift
6	166x40	Spring	30	094067	Pin
7	17x103	Washer	31	094055E700	Bracket, Rear Suspension
8	690533	Handle, Lift	32	690151	Spacer, Lifter
9	094017 Z	Lever, PTO	33	009x53	Bolt, Shoulder
10	009x39	Bolt, Shoulder	34	094015E700	Bracket, Pivot
11	030x20	Pin, Cotter	36	17x191	Washer
13	094004 Z	Link, PTO	37	015x84	Nut, Flange
14	015x84	Nut, Flange	38	165x131	Spring
15	26x249	Screw	39	015x68	Nut, Flange
16	166x39	Spring	40	094005E700	Bracket, PTO
17	094018E700	Bracket, PTO	41	094027E700	Hanger, Left Deck
18	165x119	Spring	42	094026E700	Hanger, Right Deck
19	690394E700	Crank, PTO	43	094158 Z	Rod, Hanger
20	690212E700	Link, Lift	44	690539E700	Bracket, Suspension
21	690122E700	Link, Lift Handle	45	1001098E700	Plate, Stiffening
22	17x168	Washer			

MODEL 425607x52A

REPAIR PARTS MOWER HOUSING



MODEL 425607x52A

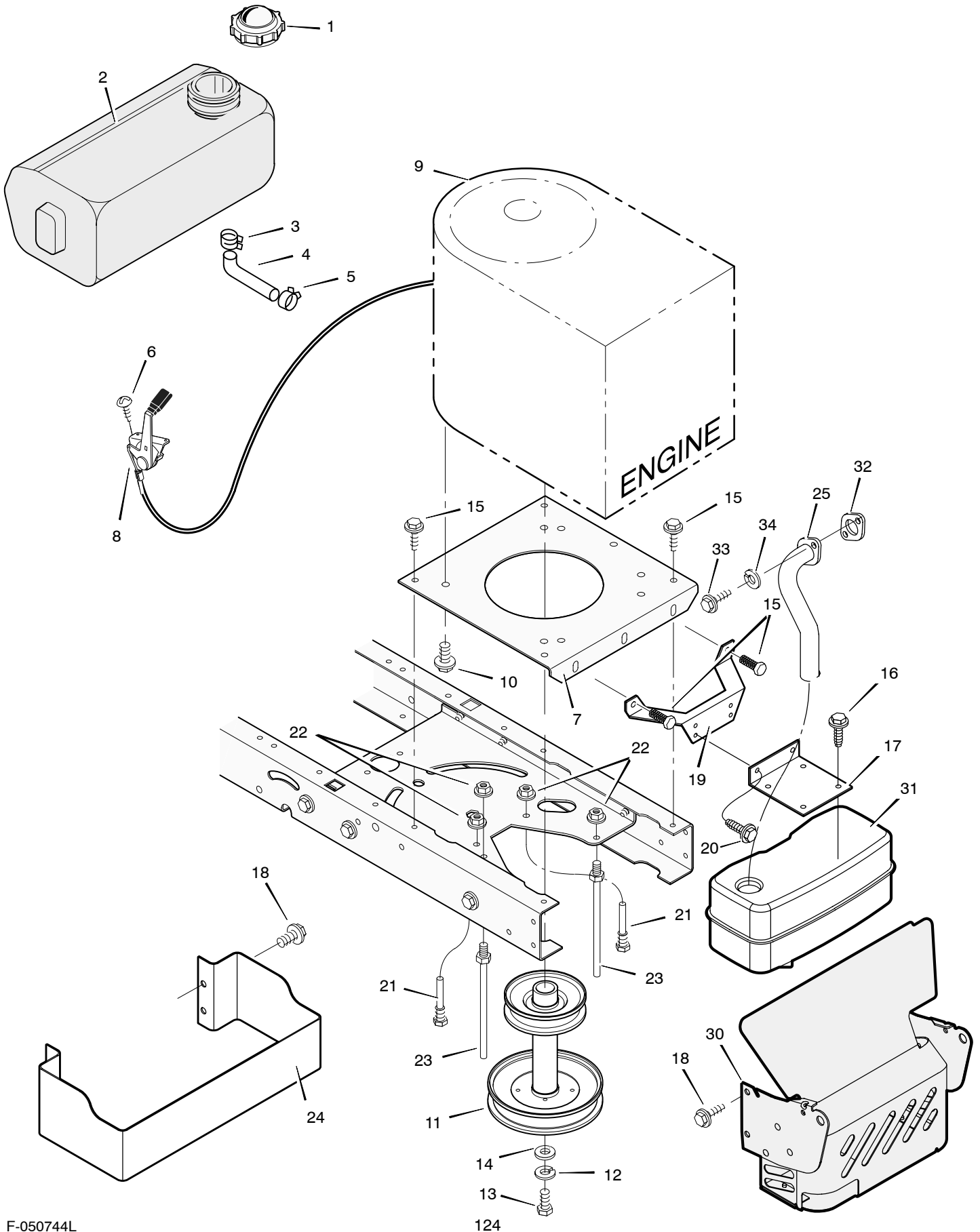
REPAIR PARTS MOWER HOUSING

Key No.	Part No.	Description	Key No.	Part No.	Description
1	094199	Pulley, Jackshaft	35	690539E700	Bracket, Suspension
2	15x140	Nut, Hex	36	690411	Adapter, Blade
3	037x88	Belt, Mower Drive	37	1001429E701	Blade
4	690387	Pulley, Idler	38	17x166	Washer
5	015x84	Nut, Flange	39	17x165	Washer
8	690212E700	Link, Lift	40	15x100	Nut
9	094137	Pad, Friction	41	166x4	Spring
10	009x52	Bolt, Shoulder	42	028x23	Cap, Push On
11	094055E700	Bracket, Suspension	43	094957 Z	Rod, Deflector
12	094049E700	Pad Assembly, Left Brake	44	094707SE	Deflector Assembly
13	094068	Knob	45	094956E700	Bracket, Deflector Hinge
14	009x51	Bolt, Shoulder	46	094686E701	Bracket, Front Hanger
15	094128E700	Plate, Suspension	47	017x45	Washer
16	166x43	Spring	48	094781	Guide, Belt
17	015x79	Nut, Flange	49	690369	Spacer
18	094192E700	Bracket, Suspension	50	094025	Bolt, Axle
19	095194	Pin, Hanger	51	017x91	Washer
20	017x91	Washer	52	165x119	Spring, Extension
21	0031x4	Pin, Hair	53	092683	Wheel, Gage
22	0025x7	Bolt	54	1001260E700	Bracket, Right Wheel
23	094051E700	Cover, Pulley	55	092423E700	Bracket, Left Wheel
24	009x39	Bolt, Shoulder	56	009x72	Bolt, Shoulder
25	690408E700	Arm, Idler	57	26x249	Screw
26	166x41	Spring	58	094604E700	Stiffener
27	094047E700	Pad Assembly, Right Brake	59	094814E700	Housing, Blade *
28	094193E700	Bracket, Brake	60	031x11	Ring, Locking
29	166x42	Spring	61	015x98	Nut, Flange
30	094191E700	Bracket, Suspension	62	094668	Cover, Left Pulley
31	092426E700	Plate	63	094669	Cover, Right Pulley
32	015x88	Nut, Flange	64	26x263	Screw
33	002x53	Bolt, Carriage	1-64	7601032	Complete Mower Housing Assembly
34	1001200	Mandrell Housing	65	094066	Guide, Belt

* Includes Key No. 17, 18, 30, 31, 32, 33, 45, 46, 53, 54, 55, and 56.

MODEL 425607x52A

REPAIR PARTS ENGINE MOUNT



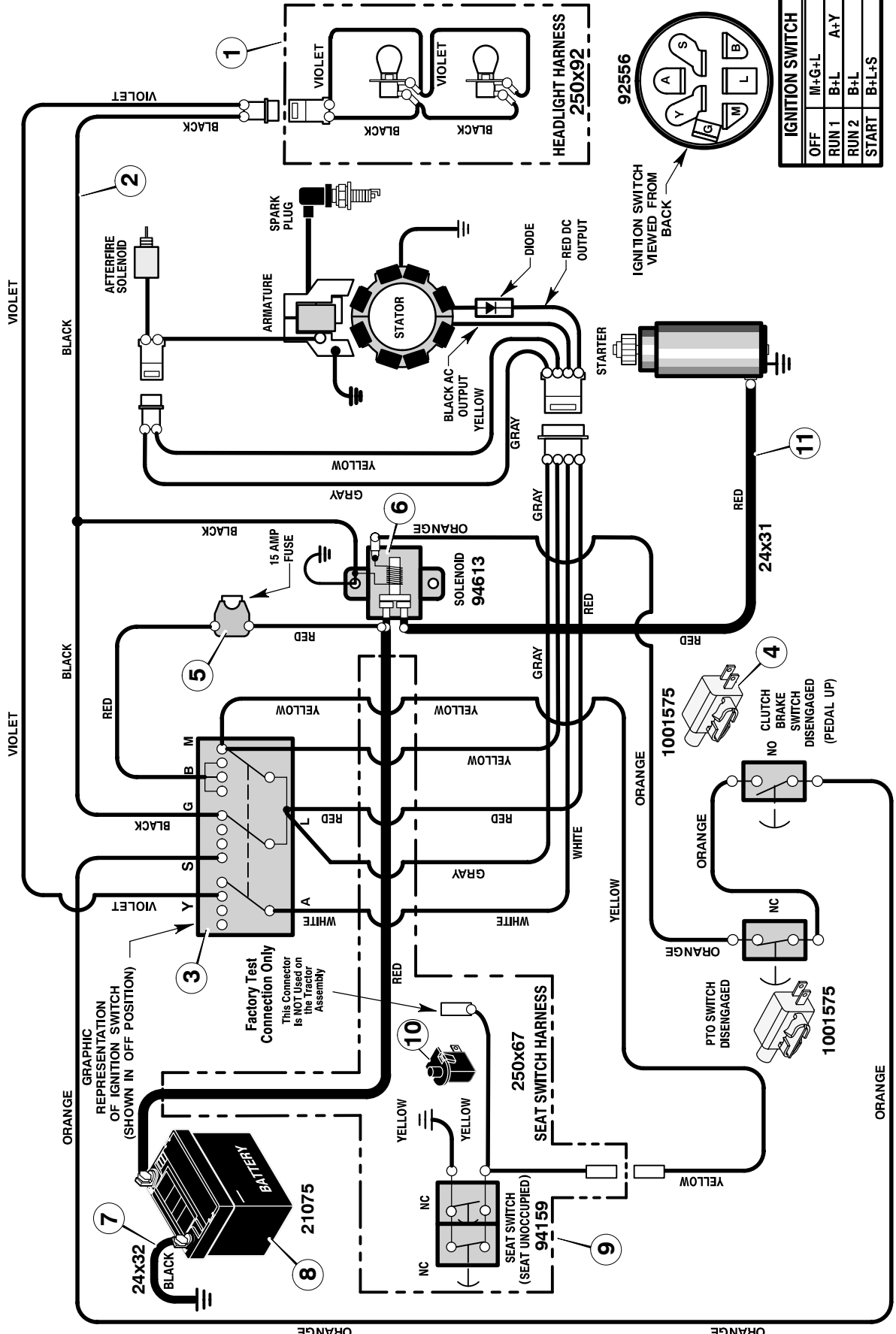
MODEL 425607x52A

REPAIR PARTS ENGINE MOUNT

Key No.	Part No.	Description	Key No.	Part No.	Description
1	092317	Fuel Cap **	16	26x229	Screw
2	1001947	Fuel Tank	17	690538E701	Bracket, Muffler
3	095197	Hose Clamp **	18	26x277	Screw
4	7601033	Fuel Line (Must cut to length) **	19	690537E701	Bracket, Muffler Mount
5	095197	Hose Clamp **	20	026x263	Screw
6	26x201	Screw	21	094384	Guide, Belt
7	094006E701	Plate, Engine	22	015x79 Z	Nut, Flange
8	092371	Throttle Control	23	094066	Guide, Belt
9	--- * ---	Engine, Briggs & Stratton	24	1001620-701	Guard, Heat Shield
10	0025x7	Bolt, Engine Mount	25	1001496	Exhaust Tube, Single
11	690440 Z	Stack Pulley Assembly	30	1001627-701	Shield, Heat
12	019x35	Lockwasher	31	094654	Muffler
13	01x140	Bolt, Hex	32	091309	Gasket
14	17x170	Washer	33	06x103	Screw
15	26x249	Screw	34	018x15	Washer

* For information on Replacement Parts for this engine contact the manufacturer.

** These parts are included with Key No. 2



IGNITION SWITCH	
OFF	M+G+L
RUN 1	B+L A+Y
RUN 2	B+L
START	B+L+S

MAIN HARNESS: 250X112
SEAT: 250X67; LIGHT : 250X92

Key No.	Part No.	Description
1	250x92	Harness, Light Wire
	1001716	Socket, Light
	090084	Bulb, Light
2	250x112	Harness, Chassis Wire
3	092556	Switch, Ignition
	1001304	Key, Ignition
	091489	Nut, Hex
	091488	Cap, Ignition
4	1001575	Switch, Limit
5	302031	Fuse
	407078	Holder, Fuse
6	1002004	Solenoid
	26x229	Screw, Mounting
	15x116	Locknut
7	024x32	Cable, Battery Ground
	26x229	Screw, Ground Cable
8	021075	Battery
	002x82	Bolt, Carriage
	014x79	Wingnut
	690604	Boot, Battery -Positive
9	250x67	Harness, Seat Switch Wire
10	094159	Switch, Seat Sensor
11	024x31	Cable

-
- D EG-Konformitätserklärung**
entsprechend der Richtlinie 98/37/EG
entsprechend der Richtlinie 89/336/EWG
entsprechend der Richtlinie 2000/14/EG
- GB EC Certificate of Conformity**
conforming to Directive 98/37/EC
conforming to Directive 89/336/EEC
conforming to Directive 2000/14/EC
- F Déclaration de conformité pour la CEE**
conforme à la directive 98/37/CE
conforme à la directive 89/336/CEE
conforme à la directive 2000/14/CE
- I Certificato di conformita' comunitario**
conforme alla Direttiva 98/37/CE
conforme alla Direttiva 89/336/CEE
conforme alla Direttiva 2000/14/CE
- E Declaración de Conformidad**
según la directiva 98/37/CE
según la directiva 89/336/CEE
según la directiva 2000/14/CE
- NL EG-Conformiteitsverklaring**
overeen komstig de Richtlijn 98/37/EG
overeen komstig de Richtlijn 89/336/EEG
overeen komstig de Richtlijn 2000/14/EG
- P Declaração de conformidade**
conforme com a Diretiva 98/37/CE
conforme com a Diretiva 89/336/CEE
conforme com a Diretiva 2000/14/CE
- S EU-konformitetsintyg**
överensstämmande med direktiv 98/37/EG
överensstämmande med direktiv 89/336/EEG
överensstämmande med direktiv 2000/14/EG
- N EU-konformitetserklæring**
overholder direktiv 98/37/EF
overholder direktiv 89/336/EØS
overholder direktiv 2000/14/EF
- DK EU-overensstemmelseserklæring**
overholder direktiv 98/37/EF
overholder direktiv 89/336/EØF
overholder direktiv 2000/14/EF
- SF EY: n Vaatimustenmukaisuusilmoitus**
noudattaa direktiiviä 98/37/EY
noudattaa direktiiviä 89/336/ETY
noudattaa direktiiviä 2000/14/EY

erklären in alleiniger Verantwortung, daß das Produkt
 declare in sole responsibility, that the product
 déclarons sous notre seule responsabilité que le produit
 dichiariamo sotto la nostra piena responsabilità che il prodotto
 declaramos bajo responsabilidad propia que el producto
 verklaren enig in verantwoording, dat het produkt
 declaramos com responsabilidade própria que o produto
 intyggar med ensamansvar att nedanstående produkt
 erklærer som eneansvarlig at produktet
 erklærer som eneansvarlig, at produktet
 ilmoitamme yksin vastaavamme, että tuote

425607x52A

(Fabrikat, Typ) (Make, model) (Marque, modèle) (Marca, tipo)
 (Marca, modelo) (Fabricant, type) (Marca, modelo) (Fabrikat, typ)
 (Fabrikat, type) (Mærke, type) (Merkki, malli)

auf das sich diese Erklärung bezieht, den Anforderungen der Richtlinie 98/37/EG, der Richtlinie 2000/14/EG
 (Konformitätsbewertungsverfahren gemäß Anhang VIII) Richtlinie 2002/88/EC und der Richtlinie 89/336/EEG und aktuellen
 Ergänzungen entspricht

to which this certificate applies, conforms to the requirements of Directive 98/37/EC, Directive 2000/14/EC (conformity assessment
 procedure according to Annex VIII), Directive 2002/88/EC and Directive 89/336/EEC and current amendments

faisant l'objet de la déclaration est conforme aux prescriptions fondamentales stipulées dans la Directive 98/37/CE, la directive
 2000/14/CE (procédure d'évaluation de conformité selon l'annexe VIII), directive 2002/88/EC la directive 89/336/CEE et leurs
 modifications courantes

cui la presente dichiarazione si riferisce, è conforme ai requisiti della Direttiva 98/37/CE, della Direttiva 2000/14/CE (procedura di
 valutazione della conformità secondo l'Allegato VIII), Direttiva 2002/88/EC e della Direttiva 89/336/CEE e correnti emendamenti
 al cual se refiere la presente declaración corresponde a las exigencias de la directiva 98/37/CE, de la directiva 2000/14/CE (los
 procedimientos de evaluación de conformidad según el Anexo VIII) directiva 2002/88/EC y de la directiva 89/336/CEE y enmiendas
 vigentes

waarop deze verklaring betrekking heeft, overeenkomt met eisen van de richtlijn 98/37/EG, de richtlijn 2000/14/EG
 (conformiteitsbeoordelingsprocedure volgens bijlage VIII), richtlijn 2002/88/EC de richtlijn 89/336/EEG en huidige wijzigingen
 ao que se refere esta declaração corresponde às exigências da Directiva 98/37/CE, Directiva 2000/14/CE (em conformidade com o
 processo de avaliação, de acordo com o Anexo VIII) Directiva 2002/88/EC e Directiva 89/336/CEE e actuais alterações
 för vilket detta intyg gäller, uppfyller kraven enligt direktiv 98/37/EG, direktiv 2000/14/EG (procedur för bedömning av överensstämmelse
 enligt tillägg VIII), direktiv 2002/88/EC, 89/336/EEG samt allmänna tillägg

som denne erklæring vedrører, oppfyller kravene i direktiv 98/37/EF, direktiv 2000/14/EF (konformitetsvurderingsprosedyre i henhold til
 annekset VIII) direktiv 2002/88/EC og direktiv 89/336/EØS og aktuelle vedlegg

som denne erklæring vedrører, overholder kravene i direktiv 98/37/EF, direktiv 2000/14/EF (konformitetsvurderingsprocedure iflg. Annex
 VIII) direktiv 2002/88/EC og direktiv 89/336/EØF og ændringer

johon tämä ilmoitus liittyy, vastaa direktiivin 98/37/EY, direktiivin 2000/14/EY (Liitteen VIII mukaisten yhdenmukaisuuden
 arviointitoimien), direktiivin 2002/88/EC, direktiivin 89/336/ETY ja nykyisten muutosten vaatimuksia

Zursachgerechten Umsetzung der EG-Richtlinien wurde(n) folgende Norm(en) und/oder technische Spezifikation(en) herangezogen:
 EN 836/A2:2001, EN 836:1997, BS EN 1033:1996 und/oder BS EN 1032:1997, EN ISO 3744:1995, ISO 11094:1991

To effect correct application of the EEC Directives, the following standards and/or technical specifications were consulted: EN
 836/A2:2001, EN 836:1997, BS EN 1033:1996 and/or BS EN 1032:1997, EN ISO 3744:1995, ISO 11094:1991

Pour mettre en pratique les Directives de la CEE, il a été tenu compte de la/des norme(s) et/ou de la/des spécification(s) technique(s)
 suivante(s): EN 836/A2:2001, EN 836:1997, BS EN 1033:1996 et/ou BS EN 1032:1997, EN ISO 3744:1995, ISO 11094:1991

Per un'opportuno riscontro della normativa CEE, è (sono) stata(e) consultata(e) la(e) seguente(i) norma(e) e/o specifica(che)
 tecnica(che): EN 836/A2:2001, EN 836:1997, BS EN 1033:1996 e/o BS EN 1032:1997, EN ISO 3744:1995, ISO 11094:1991

Con el fin de realizar de forma adecuada las exigencias en las normativas de la CEE (fué(ron) consultada(s) la(s) siguiente(s)
 normativa(s) y especificación(es) técnica(s): EN 836/A2:2001, EN 836:1997, BS EN 1033:1996 y/o BS EN 1032:1997, EN ISO
 3744:1995, ISO 11094:1991

Om de EG-richtlijnen in juiste vorm om te zetten, is/zijn van volgende norm(en) en/of technische specificatie(s) gebruik gemaakt: EN
 836/A2:2001, EN 836:1997, BS EN 1033:1996 en/of BS EN 1032:1997, EN ISO 3744:1995, ISO 11094:1991

Com o fim de realizar de forma apropriada as exigências nas normas da C.E.E. consultou-se a(s) seguinte(s) norma(s) e/ou
 especificação(ões) técnica(s): EN 836/A2:2001, EN 836:1997, BS EN 1033:1996 e/ou BS EN 1032:1997, EN ISO 3744:1995, ISO
 11094:1991

Följande norm(er) och/eller teknisk(a) specifikation(er) har legat till grund för ett fackmässigt införande av de i EU-normerna: EN
 836/A2:2001, EN 836:1997, BS EN 1033:1996 och/eller BS EN 1032:1997, EN ISO 3744:1995, ISO 11094:1991

Følgende normer og/eller tekniske spesifikasjoner er lagt til grunn for gjennomførelse av EU-retningslinjenes: EN 836/A2:2001, EN
 836:1997, BS EN 1033:1996 og/eller BS EN 1032:1997, EN ISO 3744:1995, ISO 11094:1991

Til gennemførelse af de EF-direktivet er følgende standard(er) og/eller tekniske specifikation(er) anvendt: EN 836/A2:2001, EN
 836:1997, BS EN 1033:1996 og/eller BS EN 1032:1997, EN ISO 3744:1995, ISO 11094:1991

ETY-direktiivin oikean soveltamisen varmistamiseksi on käytetty seuraavia standardeja ja/tai teknisiä erittelyjä: EN 836/A2:2001, EN
 836:1997, BS EN 1033:1996 ja/tai BS EN 1032:1997, EN ISO 3744:1995, ISO 11094:1991

Bauart	RASENTRAKTOR
Category	LAWNMOWER
Categorie	TONDEUSE A GAZON
Categoria	TORSAERBA
Categoría	CORTADORA DE CESPED
Categorie	GRASMAAIMACHINE
Categoria	CORTADOR DE GRAMA
Kategori	GRÄSKLIPPARE
Kategori	GRESSKLIPPER
Kategori	GRÆSSLÅMASKINE
Kategoria	RUOHONLEIKKURI

Fabrikmarke / Make / Marque / Marca / Marca / Merk / Marca / Fabriksmärke / Merke / Mærke / Merkki	MURRAY
--	--------

Typ / Type / Type / Tipo / Tipo / Model / Tipo / Typ / Type / Type / Tyyppi	17 HP / 42
---	------------

Garantierter Schalleistungspegel Guaranteed sound power level Niveau de puissance acoustique garanti Livello di potenza acustica garantito Nivel garantizado de potencia acústica Gewaarborgd niveau van geluidssterkte Nível de ruído motriz garantido Garanterad ljudstyrksnivå Garantert lydnivå Lydniveau garanti Taattu äänenvoiman taso	100 dB (A)
---	------------

Gemessener Schalleistungspegel Measured sound power level Niveau de puissance acoustique mesuré Livello di potenza acustica misurato Nivel medido de potencia acústica Gemeten niveau van geluidssterkte Nível de potencia acústica medido Uppmätt ljudstyrksnivå Mått lydnivå Mått lydniveau Mitattu äänentehotaso	97 dB (A)
---	-----------

Art der Schneidevorrichtung Type of cutting device Genre du dispositif de coupe Tipo di dispositivo di taglio Tipo de dispositivo de corte Soort snijmiddel Tipo de dispositivo cortante Typ av skäranordning Type klipperedskap Bladtype Leikkurityyppi	SICHELMESSER ROTATING BLADE LAME ROTATIVE LAMA ROTANTE CUCHILLA GIRATORIA ROTARENDE BLAD LÂMINA ROTATIVA ROTARENDE BLAD ROTARENDE BLAD ROTARENDE BLADE PYÖRIVÄ TERÄ
--	---

Schnittbreite / Width of cut / Largeur de coupe / Ampiezza di taglio / Ancho de corte / Snijbreedte / Extensão do corte / Skärbredd / Snittbredde / Skærebredde / Leikkuujäljen leveys	107 cm
--	--------

Name und Adresse der in der Europäischen Gemeinschaft etablierten benannten Stelle für Richtlinie 2000/14/EG

Name and address of the notified body established in the European Community for Directive 2000/14/EC

Nom et adresse de l'organisme notifié établi dans la Communauté européenne pour la directive 2000/14/CE

Nome e indirizzo dell'organismo notificato stabilito nella Comunità Europea per Direttiva 2000/14/CE

SNCH
11, Route de Luxembourg
L - 5230 Sandweiler

Nombre y dirección del organismo notificado establecido en la Comunidad Europea para la Directiva 2000/14/CE

Naam en adres van de aangemelde instantie gevestigd in de Europese Gemeenschap voor richtlijn 2000/14/EG

Nome e morada do organismo notificado na Comunidade Europeia para Directiva 2000/14/CE

Namn och adress på godkännande organ inom EU för föreskrift 2000/14/EG

Navn og adresse til godkjennende organ innen EU for direktivet 2000/14/EF

Navn og adresse på det bemyndigede organ, som er etableret i De Europæiske Fællesskaber for direktiv 2000/14/EF

Euroopan yhteisön alueella olevan ilmoitetun laitoksen nimi ja osoite direktiivin 2000/14/EY mukaisesti

Brentwood, TN USA 2003.02.13
YYYY MM DD

 Director, International Sales

(Ort und Datum der Ausstellung)
(Place and date of issue)
(Lieu et date)
(Luogo e data del rilascio)
(Lugar y fecha de expedición)
(Plaats en datum van de verklaring)
(Lugar e data de emissão)
(Utfärdat ort/datum)
(Sted og datum)
(Sted og dato)
(Ilmoitus annettu paikka ja päiväys)

(Name, Funktion und Unterschrift des Befugten)
(Name and job function of authorized person)
(Nom, fonction et signature de la personne autorisée)
(Nome, qualifica e firma dell'incaricato)
(Nombre, función y firma del encargado)
(Naam, functie en handtekening van bevoegd persoon)
(Nome, cargo e assinatura do responsável)
(Namn, befattning och underskrift av behörig medarbetare)
(Bemyndigtes navn, funksjon og underskrift)
(Bemyndigedes navn, funktion og underskrift)
(Valtuutetun henkilön nimi ja tehtävä)