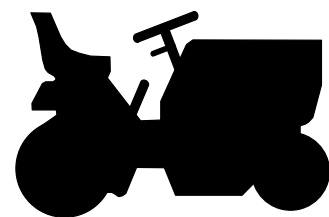
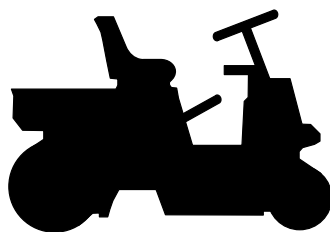
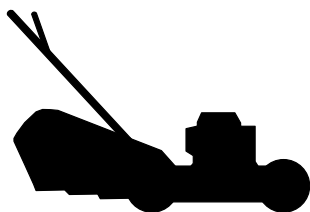
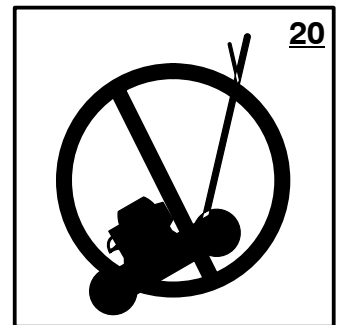
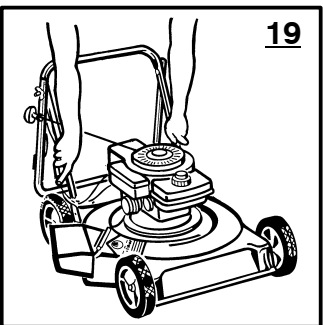
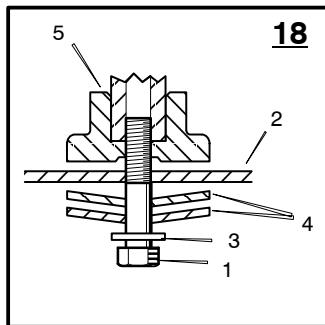
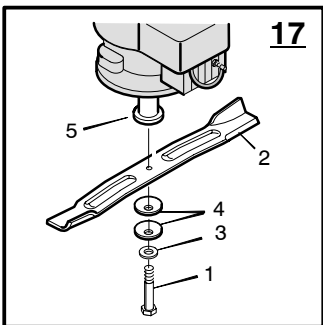
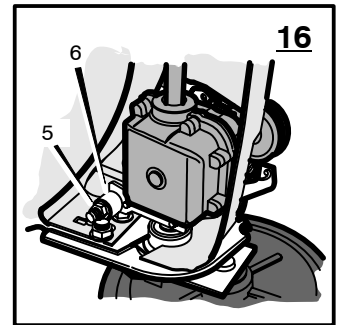
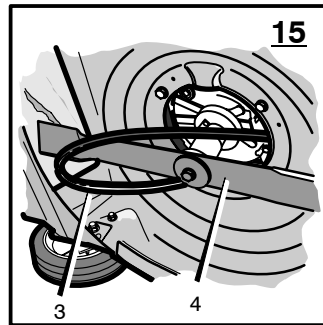
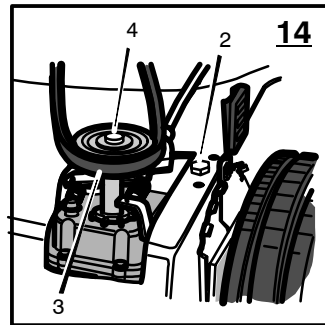
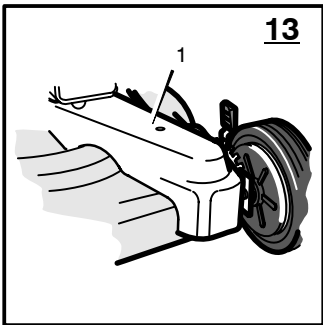
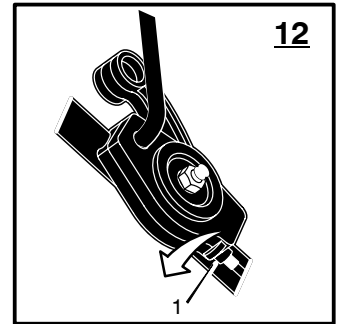
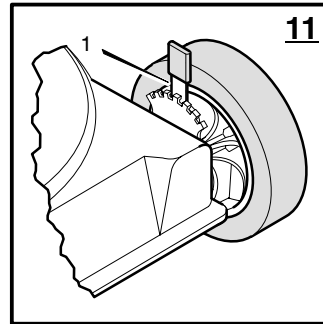
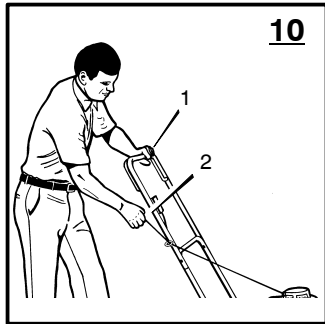
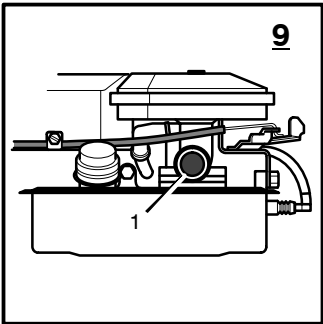
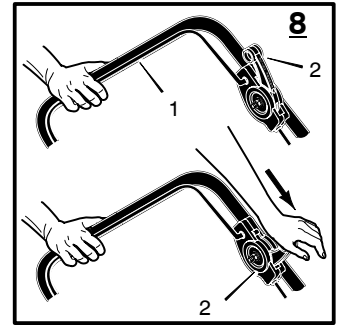
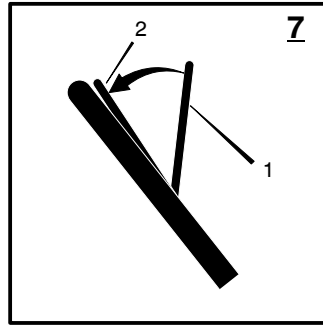
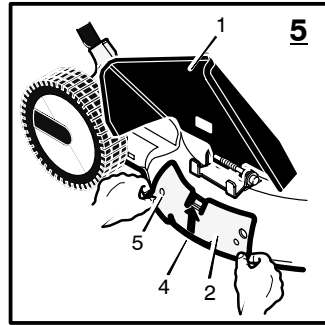
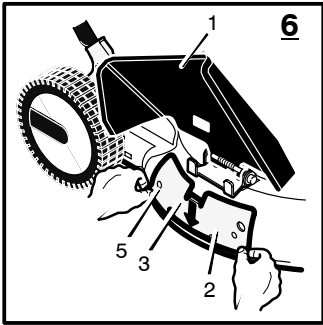
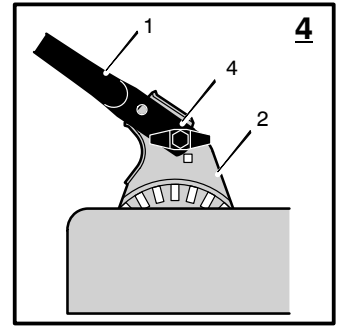
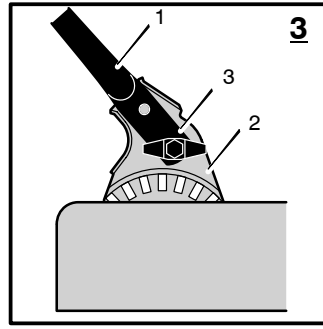
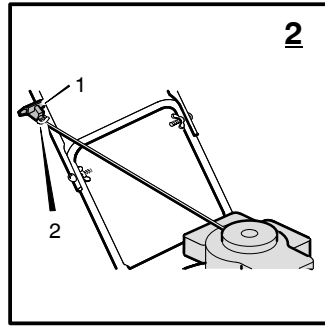
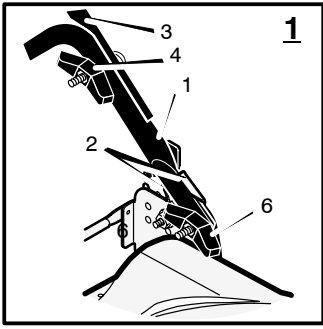


- (GB)** *Instruction Book* **Self-Propelled Mower**
Model 226111x52B
- (F)** *Manuel de l'utilisateur* **Tondeuse autotractée**
modèle 226111x52B
- (D)** *Betriebsanleitung* **Rasenmäher mit Eigenantrieb**
Modell 226111x52B
- (I)** *Istruzioni per l'uso* **Tagliaerba a propulsione autonoma**
Modello 226111x52B
- (NL)** *Gebruikshandleiding* **Handmaaier met wielaandrijving**
model 226111x52B
- (DK)** *Instruktionsbog* **Selvtrækkende plæneklipper**
Model 226111x52B
- (N)** *Bruksanvisning* **Selvdrevet gressklipper**
modell 226111x52B
- (S)** *Användarhandbok* **Självgående gräsklippare**
modell 226111x52B
- (SF)** *Käyttöohjeet* **Itsevetävä ruohonleikkuri**
malli 226111x52B
- (E)** *Manual de Instrucciones - Cortacésped autopropulsada*
modelo 226111x52B
- (P)** *Manual de Instruções - Cortador de Grama Autopropulsor*
modelo 226111x52B







1



2



3



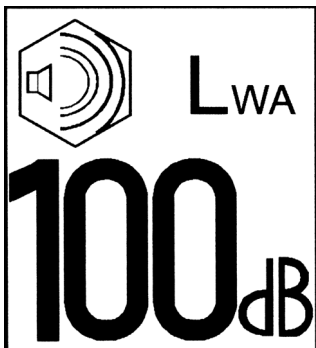
4



5



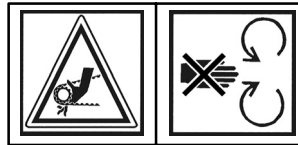
6



7



8



9



1



2



3



4



5



6



7

CONTENTS

INTERNATIONAL PICTORIALS	4
OWNER'S INFORMATION	5
SAFE OPERATION PRACTICES	5
ASSEMBLY	6
OPERATION	6
MAINTENANCE	6
TROUBLE SHOOTING CHART	8

MURRAY, INC.

TWO YEAR LIMITED WARRANTY

Murray, Inc. warrants to the original purchaser that this unit shall be free from defects in material and workmanship under normal use and service for a period of **Two (2) Years** from the date of purchase; however, this warranty does not cover engines, accessories (such as snow blowers, snow blades, grass baggers and ploughs), transmissions, batteries and Normal Wear Parts (except as noted below) or transaxles as the companies that manufacture these items furnish their own warranties and provide service through their authorized field service facilities. For additional information, see the warranties covering these particular parts. If you are uncertain whether your unit contains or is equipped with one or more of these parts, consult your dealer prior to purchase. Subject to the terms and conditions noted in this Limited Warranty, we shall, at our option, repair or replace at no cost to the original purchaser any part covered by this Limited Warranty during the

applicable warranty period. In the event the battery proves defective within ninety (90) days from the date of purchase, we will replace it without charge. If the battery proves defective after (90) days but within one hundred twenty (120) days from the date of purchase, we will replace it for a charge of one half (1/2) of the retail price of the battery in effect at the time of return.

Normal Wear Parts are defined as belts, blades, blade adapters, pneumatic tyres, headlights and seat covers. These parts are warranted to be free from defects in material and workmanship as delivered with the product. Any claim for repair or replacement of Normal Wear Parts must be made within thirty (30) days of the date of purchase. No claims involving damage caused from material use, abuse or misuse will be honoured.

This **Murray, Inc. Two (2) Year Limited Warranty** is your exclusive remedy; however, this warranty is void or does not apply to any unit that has been tampered with, altered, misused, abused or used for rental or other commercial and/or professional (non-homeowner) uses. Your warranty does not cover minor mechanical adjustments which are not due to any defect in material or workmanship. For assistance in making such adjustments, consult your Instruction Book. To make a claim under this **Murray, Inc. Two (2) Year Limited Warranty**, return the unit (or if authorized in advance, the defective part) along with your proof of purchase to an Authorized Service Centre near you. To locate the nearest

Authorized Service Centre, call the Central Parts Distributor for your area shown in the list provided with your unit or check the Yellow Page listings in your local telephone directory. If you return the entire unit, we will repair the unit. If we authorize the return of the defective part only, we will either replace or repair the part. In the case of a defect in a transmission or differential (as distinguished from a transaxle), the entire transmission or differential must be returned since they do not include user serviceable parts.

This **Murray, Inc. Two (2) Year Limited Warranty** gives you specific legal rights, and you may also have other rights which vary from state to state. **This Limited Warranty is given in lieu of all other expressed and implied warranties including the implied warranty of merchantability and warranty of fitness for a particular purpose.** If you need additional information on this written warranty or assistance in obtaining service, write:

HAYTER LIMITED,
Service Department,
Spellbrook,
Bishop's Stortford,
Hertfordshire. CM23 4BU.

MURRAY, INC.
International Sales
P.O. Box 268
Brentwood, Tennessee USA 37024
1-800-251-8007
Fax (615) 373-6633

INTERNATIONAL PICTORIALS

IMPORTANT: The following pictorials are located on your unit or on literature supplied with the product. Before you operate the unit, learn and understand the purpose for each pictorial.

NOTE: Illustrations and pictorials begin on page 2.

Safety Warning Pictorials (Figure 21)

- 1 Warning

- 2 **IMPORTANT:** Read Owner's Manual Before Operating This Machine.
- 3 **WARNING:** Thrown Objects. Keep Bystanders Away. Read User Instructions Before Operating This Machine.
- 4 Do Not Mow Up And Down Slopes. Mow Across Slopes.
- 5 **DANGER:** No Step.
- 6 **DANGER:** Keep Feet And Hands Away From Rotating Blade.
- 7 Declared airborne sound power level of 100 dB(A) is in accordance with Directive 2000/14/EC.

- 8 **DANGER:** Disconnect Spark Plug Wire Before Servicing Unit.
- 9 **DANGER:** Do not open or remove safety shields while engine is running.

Control And Operating Pictorials (Figure 22)

- 1 Slow
- 2 Fast
- 3 Engine Stop
- 4 Engine Start
- 5 Oil
- 6 Fuel
- 7 Forward

MODEL NO.: 226111x52B

SKU No.:

YYYY MM DD: _____

SERIAL NO.:

3050 min-1

32 kg

Manufactured in Lawrenceburg, TN 38464, U.S.A.

Declared vibration emission values in accordance with Directive 98/37/EC.

Vibration Emission according to EN 836/A2:2001: **6.95 m/s²**.

Values determined at the handle when the machine was operated stationary on a concrete surface at 3050 min-1.

Declared airborne sound power level of 100 dB(A) is in accordance with Directive 2000/14/EC.

Sound Pressure Level at operator position **84 dB**.

Values determined at ear according to the specifications of EN 836/A2:2001.

OWNER'S INFORMATION

Know your product: If you understand the unit and how the unit operates, you will get the best performance. As you read this manual, compare the illustrations to the unit. Learn the location and the function of the controls. To help prevent an accident, follow the operating instructions and the safety rules. Keep this manual for future reference.



WARNING: Look for this symbol to indicate important safety precautions. This symbol indicates: "Attention! Become Alert! Your Safety Is At Risk."

Responsibility Of The Owner



WARNING: This cutting machine is capable of amputating hands and feet and throwing objects. Failure to observe the following safety instructions could result in serious injury or death to the operator or bystanders.

The responsibility of the owner is to follow the instructions below.

SAFE OPERATION PRACTICES

For Pedestrian Controlled Rotary Lawn-Mowers

Training

1. Read the instructions carefully. Be familiar with the controls and the proper use of the equipment.
2. Never allow children or people unfamiliar with these instructions to use the mower. Local regulations may restrict the age of the operator.
3. Never mow while people, especially children, or pets are nearby.
4. Keep in mind that the operator or user is responsible for accidents or hazards occurring to other people or their property.

Preparation

1. While mowing, always wear substantial footwear and long trousers. Do not operate the equipment when barefoot or wearing open sandals.
2. Thoroughly inspect the area where the equipment is to be used and remove all objects which may be thrown by the machine.
3. **WARNING - Petrol is highly flammable.**
 - a. Store fuel in containers specifically designed for this purpose.

- b. Refuel outdoors only and do not smoke while refuelling.
 - c. Add fuel before starting the engine. Never remove the cap of the fuel tank or add petrol while the engine is running or when the engine is hot.
 - d. If petrol is spilled, do not attempt to start the engine but move the machine away from the area of spillage and avoid creating any source of ignition until petrol vapours have dissipated.
 - e. Replace all fuel tanks and container caps securely.
4. Replace faulty silencers.
 5. Before using, always visually inspect to see that the blades, blade bolts and cutter assembly are not worn or damaged. Replace worn or damaged blades and bolts in sets to preserve balance.
 6. On multi-blade machines, take care as rotating one blade can cause other blades to rotate.

Operation

1. Do not operate the engine in a confined space where dangerous carbon monoxide fumes can collect.
2. Mow only in daylight or in good artificial light.
3. Avoid operating the equipment in wet grass, where feasible.
4. Always be sure of your footing on slopes.
5. Walk, never run.
6. For wheeled rotary machines, mow across the face of slopes, never up and down.
7. Exercise extreme caution when changing direction on slopes.
8. Do not mow excessively steep slopes.
9. Use extreme caution when reversing or pulling the mower towards you.
10. Stop the blade(s) if the mower has to be tilted for transportation when crossing surfaces other than grass, and when transporting the mower to and from the area to be mowed.
11. Never operate the mower with defective guards or shields, or without safety devices, for example deflectors and/or grass catchers, in place.
12. Do not change the engine governor settings or overspeed the engine.
13. Disengage all blade and drive clutches before starting the engine.

14. Start the engine or switch on the motor carefully according to instructions and with feet well away from the blade(s).
15. Do not tilt mower when starting the engine or switching on the motor, except if the mower has to be tilted for starting. In this case, do not tilt it more than absolutely necessary and lift only the part which is away from the operator.
16. Do not start the engine when standing in front of the discharge chute.
17. Do not put hands or feet near or under rotating parts. Keep clear of the discharge opening at all times.
18. Never pick up or carry a mower while the engine is running.
19. Stop the engine and disconnect the spark plug wire.
 1. before clearing blockages or unclogging chute;
 2. before checking, cleaning or working on the mower;
 3. after striking a foreign object. Inspect the mower for damage and make repairs before restarting and operating the mower;
 4. if mower starts to vibrate abnormally (check immediately).

20. Stop the engine
 1. whenever you leave the mower;
 2. before refuelling;
21. Reduce the throttle setting during engine shut down and, if the engine is provided with a shut-off valve, turn the fuel off at the conclusion of mowing.
22. Use extra care when approaching blind corners, shrubs, trees or other objects that may obscure vision.

Maintenance and Storage

1. Keep all nuts, bolts, and screws tight to be sure the equipment is in safe working condition.
2. Never store the equipment with petrol in the tank inside a building where fumes may reach an open flame or spark.
3. Allow the engine to cool before storing in any enclosure.
4. To reduce the fire hazard, keep the engine, silencer, battery compartment and petrol storage area free of grass, leaves, or excessive grease.
5. Check the grass catcher frequently for wear or deterioration.
6. Replace worn or damaged parts for safety.
7. If the fuel tank has to be drained, this should be done outdoors.

ASSEMBLY

NOTE: Illustrations and pictorials begin on page 2.

Unpacking instructions

The mower was fully assembled at the factory. When the mower was put in the carton, the handle was put in the storage position. To put the handle in the operating position, follow the steps below.

1. Remove the mower from the carton.
2. (Figure 1) Put the **lower handle (1)** in the operating position. Make sure the **lower handle (1)** is between the **locking tabs (2)**.
3. Put the **upper handle (3)** in the operating position. Tighten the **knobs (4)**.

CAUTION: Be careful when you fold or raise the handle. Do not damage the cables. A cable that is bent will not work correctly. Before you use the unit, replace a bent or damaged cable.

4. (Figure 7) Engage the **engine stop lever (1)**.
5. (Figure 2) To attach the **recoil-start grip (1)** to the **rope guide (2)**, twist the rope through the **rope guide (2)** mounted on the right side of the handle.

NOTE: If you cannot attach the recoil-start grip because the rope is too short, hold the engine stop lever against the handle. Slowly pull the recoil-start grip.

How To Adjust The Handle Height

(Figure 3 and Figure 4) The **handle bracket (1)** has two assembly positions. A **HIGH (3)** and a **LOW (4)** position. The **HIGH (3)** position will raise the handle approximately four inches.

1. (Figure 1) Remove the **wingnuts (6)** and bolts from the right and left **handle brackets (2)**.
2. (Figure 3) To raise the handle, mount the **lower handle (1)** in the **HIGH (3)** position.
3. (Figure 4) To lower the handle, mount the **lower handle (1)** in the **LOW (4)** position.
4. (Figure 1) Attach the **lower handle (1)** to the **handle brackets (2)** with the bolts and **wingnuts (6)**.

How To Prepare The Engine

Note: Engine does not contain OIL or GASOLINE.



WARNING: Follow the engine manufacturer's instructions for the type of fuel and oil to use. Always use a safety fuel container. Do not smoke when adding fuel to the engine. When inside an enclosure, do not fill with fuel. Before you add fuel, stop the engine. Let the engine cool for several minutes.

NOTE: Actual sustained horsepower will likely be lower due to operating limitations and environmental factors.

See the engine manufacturer's instructions for the type of petrol and oil to use. Before you use the unit, read the information on safety, operation, maintenance, and storage.

Mulcher Kit Removal And Installation



WARNING: Before you remove or install the mulcher kit, disconnect the wire to the spark plug.

On some models the mulcher kit is installed at the factory. To convert from a mulcher to a side discharge, remove the mulcher plate.

A side discharge mower can be converted to a mulching mower by installing the mulcher kit as follows:

1. (Figure 6) Raise the **chute deflector (1)**.
2. Align the **mulcher plate (2)** with the side discharge opening. Make sure that the two alignment **bumps (5)** are inside of the opening.
3. Mount the **tab (3)** on the top of the **mulcher plate (2)** to the inside of the mower housing.
4. (Figure 5) Mount the **tab (4)** on the bottom of the **mulcher plate (2)** to the inside of the mower housing.
5. Lower the **chute deflector (1)**.

Mulching Tips

Mulching finely cuts the grass so that the grass can be easily recycled. Because the nutrients are returned to the soil, the lawn will need less fertilizer. To correctly mulch the lawn, follow the tips below.

- The grass must be dry. If the grass is wet, it will be difficult to cut and cause heavy clumps of grass.
- The grass must not be too tall. The maximum height to effectively cut is 4 1/2 inches. Set the height adjusters so that only the top third of the grass is cut.
- If the grass is more than 4 1/2 inches high, two mowings will be necessary. For the first mowing, set the height adjusters in the highest position. Then, lower the height adjusters for the second mowing.
- Keep a sharp edge on the blade. A blade that is not sharp will cause the ends of the grass to become brown.
- Clean the underside of the mower housing. Grass and other debris can keep the mower from working correctly.

If the quality of cut is marginal, try the following:

- Set the height adjusters at a higher cutting height.
- Cut the grass more frequently.
- Operate the mower at a slower ground speed.
- Overlap the cutting swaths instead of cutting a full swath with each pass.
- Mow across the marginal areas a second time.

OPERATION

NOTE: Illustrations and pictorials begin on page 2.

Engine Stop Lever (Figure 7)

Release the **engine stop lever (1)** and the engine and the blade will automatically stop. To run the engine, hold the **engine stop lever (1)** in the **Operating position (2)**

Before you start the engine, operate the **engine stop lever (1)** several times. Make sure the cable moves easily.

How To Stop The Engine (Figure 7)

To stop the engine, release the **engine stop lever (1)**. Disconnect the wire from the spark plug to prevent the engine from starting. If the engine will not stop, hold a screwdriver against the spark plug and against the engine cooling fins. The spark will go to ground and the engine will stop. Before you start the engine, check the engine stop cable. Make sure the engine stop cable is assembled correctly. Before you operate the unit, replace a bent or damaged engine stop cable.

Front Wheel Drive System (Figure 8)

The mower has a front wheel drive system. Operate the drive system as follows.

1. Hold the **engine stop lever (1)** in the **OPERATING** position.
2. Push the **drive lever (2)** completely forward. When the **drive lever (2)** clicks, release the **drive lever (2)**. The drive system is now engaged.

NOTE: To stop the engine, release the **engine stop lever**.

3. To disengage the drive system and stop the engine, completely release the **engine stop lever (1)**.
4. To disengage only the drive system, release the **engine stop lever (1)** approximately two inches. The drive system will disengage but the engine will continue to run.



WARNING: For safe operation, the drive system must immediately disengage when the drive lever is released. If the drive system does not disengage correctly, do not operate the mower until the drive system is adjusted or repaired by an authorized service centre.

How To Start The Engine (Figure 9 and Figure 10)



WARNING: The blade will rotate when the engine runs.

1. Check the oil.
2. Fill the fuel tank with regular unleaded fuel. See "How To Prepare The Engine".
3. Make sure the spark plug wire is connected to the spark plug.
4. Make sure the drive lever is in the **DISENGAGED** position.
5. (Figure 9) The **primer button (1)** is on the side of the engine. Push the **primer button (1)** five times. Every time you push the **primer button (1)**, wait two seconds.
NOTE: Do not use the primer button to start a warm engine.
6. (Figure 10) Stand behind the mower. Use one hand to hold the **engine stop lever (1)** in the operating position as shown. Use the other hand to hold the **recoil-start grip (2)**.
7. Rapidly pull the **recoil-start grip (2)**. Slowly return the **recoil-start grip (2)**.
8. If the engine does not start in 5 or 6 tries, See the "Trouble Shooting Chart" Instructions.

MAINTENANCE

NOTE: Illustrations and pictorials begin on page 2.

Engine Maintenance

Use the following maintenance section to keep your unit in good operating condition. All the maintenance information for the engine is in the engine manufacturer's instructions. Before you start the engine, read this book.



WARNING: Before you make an inspection, adjustment (except carburettor), or repair, disconnect the wire from the spark plug.

Engine Tipping (Figure 20)

When you service the engine, inspect the blade, or clean the underside of the mower housing; make sure to always tip the engine with the spark plug up. Transporting or tipping the engine with the spark plug down will cause:

- Hard starting.
- Engine smoking.
- Spark plug fouling.
- Oil or gas saturation of the air filter.

Lubrication

1. For maximum performance, lubricate the wheels and all pivot points with engine oil every 25 hours.
2. To lubricate the engine, refer to the engine manufacturer's instructions.

NOTE: Do not lubricate the engine stop cable. Lubricants will damage the cable and prevent the cable from moving freely. Replace the cable if bent or damaged.

How To Clean The Mower Housing



WARNING: The blade will rotate when the engine runs. Before you clean the mower housing, stop the engine and disconnect the wire from the spark plug.

Grass and other debris can keep the mower from working correctly. After you mow, clean the mower housing as follows.

1. Stop the engine.
2. Disconnect the wire from the spark plug.
3. Clean the top and the bottom of the mower housing.

How To Adjust The Height Of Cut (Figure 11)



WARNING: The blade will rotate when the engine runs. Before you change the height of cut, disconnect the wire to the spark plug.

To change the height of cut, move the position of the adjuster arm (1) at each wheel. Make sure each adjuster arm (1) is in the same position so that the mower will cut level.

1. Disengage the adjuster arm (1).
2. Move the adjuster arm (1) to another position.

How To Remove The Drive Belt

To remove the drive belt, follow the steps below.



WARNING: Before you remove the belt, disconnect the wire from the spark plug.

1. (Figure 13) Remove the belt cover (1).

F-050445L

2. (Figure 14) Loosen the belt tension bolt (2).
3. Remove the front of the drive belt (3) from the transmission pulley (4).
4. (Figure 15) To remove the rear of the drive belt (3), slip the drive belt (3) over the end of the blade (4).

NOTE: Make sure you replace the drive belt only with a replacement belt from the factory.

5. To assemble the drive belt (3), reverse the above steps.
6. (Figure 16) Set the belt tension.
 - a. Tighten the adjuster nut (5) until the nut touches the spacer (6). Try to turn the spacer (6). When the adjuster nut (5) touches the spacer (6), the spacer (6) will not turn.
 - b. Then, loosen the adjuster nut (5) only enough to allow the spacer (6) to turn. The tension on the drive belt (3) is now correct.
7. (Figure 13) Install the belt cover (1).
8. Before you begin to mow, make sure the drive system will correctly disengage and that the mower will stop. If the drive system will not disengage, take the mower to an authorized service center before you operate the mower.

How To Adjust The Drive Cable (Figure 12)



WARNING: Before you adjust the drive cable, release the engine stop lever and wait for the engine to stop.

If the drive system does not engage and disengage correctly, check the handle for correct assembly. Make sure that all parts are in good condition, not broken or bent, and that all fasteners are tight.

Worn parts and cable stretch will change the performance of the drive system. When you mow in high or thick grass or on hills, the drive system can slip. If the drive system is slipping, adjust as follows or take the mower to an authorized service center.

IMPORTANT: Before you start the engine, operate the engine stop lever several times. Make sure the engine stop cable moves freely.

NOTE: The engine design does not include a throttle control or an engine speed adjustment. The engine is set at the best speed for cutting grass, bagging grass, and for extended engine life.

1. If the drive system is slipping, turn the cable adjuster (1) one turn in the direction as shown in the illustration. Test the drive system and check for slippage.
2. If the drive system still slips, turn the cable adjuster (1) one more turn to shorten the cable. Again, test the drive system.
3. Repeat the adjustment and test until the drive system does not slip.

4. Before you begin to mow, make sure the drive system will correctly disengage and that the mower will stop. If the drive system will not disengage, take the mower to an authorized service center before you operate the mower.

Mulching Blade Replacement

A mulching mower is equipped with a special mulching blade. If the mulching blade becomes worn or damaged, replace with an original equipment mulching blade. A standard blade will not cut correctly and could cause an accident.

Blade Service



WARNING: Before you inspect the blade or the blade adapter, disconnect the wire to the spark plug. If the blade hits an object, stop the engine. Disconnect the wire to the spark plug. Check the unit for damage.

Frequently check the blade for wear or damage such as cracks. Frequently check the bolt that holds the blade. Keep the bolt tight. If the blade hits an object, stop the engine. Disconnect the wire to the spark plug. Check the blade adapter for damage. Check for a bent or damaged blade, a badly worn blade, or other damage. Before you operate the unit, damaged parts must be replaced with factory replacement parts. For safety, replace the blade every two years. Keep a sharp edge on the blade. A blade that is not sharp will cause the ends of the grass to become brown. Remove the blade as follows.

How To Remove The Blade (Figure 17 and Figure 18)



WARNING: Before you remove the blade, disconnect the wire to the spark plug. The blade has sharp edges. When you hold the blade, use gloves or cloth material to protect your hands.

1. Drain the fuel tank.
2. Lift the side of the mower that has the muffler or spark plug.
3. Use a piece of wood to keep the blade from rotating.
4. Remove the bolt (1) that holds the blade (2).
5. Check the blade according to the "Blade Service" instructions. Replace a badly worn or damaged blade with a factory replacement blade.
6. Mount the blade with the curved edges toward the housing. If the blade is upside down, the blade will not cut correctly and can cause an accident.
7. Fasten the blade (2) with the original washers (3 and 4) and bolt (1). Make sure the outside rims of the Belleville washers (4) are toward the blade (2).
8. Tighten the bolt (1) that holds the blade (2) to a torque of 30 foot pounds.



WARNING: Always keep the bolt (1) that holds the blade (2) tight. A loose bolt (1) or blade (2) can cause an accident.

Check The Level Of Cut

Test the unit in a small area. If the height of cut is not level or if the cut grass is not discharged, the cause can be: (1) the blade is bent or

damaged, (2) the blade is not sharp, (3) a worn blade, (4) or a broken blade adapter. Before you use the unit, correct the problem.

Folding Handle Storage (Figure 19 and Figure 1)

CAUTION: Be careful when you fold or raise the handle. Do not damage the cables. A cable that is bent will not work correctly. Before you use the unit, replace a bent or damaged cable.

How To Fold The Handle

- (Figure 19)** Loosen the fasteners that hold the upper part of the handle to the lower part of the handle. As you fold the handle, make sure the cables are not around the loose fasteners and do not become damaged. Rotate the upper part of the handle toward the back of the unit.
- (Figure 1)** Loosen the knobs on the **lower handle (1)**. Push in on the ends of the **lower handle (1)**. Move the ends of the **lower handle (1)** past the **locking tabs (2)**.
- Rotate the handle forward over the engine. Make sure the cables are not damaged.

How To Raise The Handle

- Pull the handle back until the ends of the **lower handle (1)** lock into position.
- Lift the upper part of the handle into the operator's position. Tighten the fasteners that hold the handle.

How To Prepare The Mower For Storage



WARNING: Do not remove petrol while inside a building, near a fire, or while you smoke. Petrol fumes can cause an explosion or a fire.

- Drain the fuel tank.
- Let the engine run until it is out of fuel.
- Drain the oil from the warm engine. Fill the engine crankcase with new oil.
- Remove the spark plug from the cylinder. Pour one ounce of oil into the cylinder. Slowly pull the recoil-start grip so that the oil will protect the cylinder. Install a new spark plug in the cylinder.
- Clean the dirt and debris from the cylinder cooling fins and the engine housing.
- Clean the bottom of the mower housing.
- Completely clean the mower to protect the paint.
- Put the unit in a building that has good ventilation.

How To Order Replacement Parts

The replacement parts are shown either on the back pages of this Instruction Book or in a separate Parts List Book.
Use only manufacturer's authorized or approved

replacement parts. The letter placed on the end of the part number denotes the type of finish for the part, C for chrome, Z for zinc, a PA for purchased assembly. It is important that you include this when ordering a part. Do not use attachments or accessories not specifically recommended for this unit. In order to obtain proper replacement parts you must supply the model number of your mower (see nameplate).

Replacement parts, except for the engine, transmission, transaxle or differential, are available from the store where the mower was purchased or a service shop recommended by the store.

If you are unable to obtain parts or service in the manner outlined above, then contact:

HAYTER LIMITED,
Service Department,
Spellbrook,
Bishop's Stortford,
Hertfordshire. CM23 4BU.

MURRAY, INC.
International Sales
P.O. Box 268
Brentwood, Tennessee USA 37024
1-800-251-8007
Fax (615) 373-6633

Replacement parts for the engine, transaxle, or transmission, are available from the manufacturer's authorized service center found in the commercial pages of the telephone directory. Also, see the individual engine or transmission warranties to order replacement parts.

When ordering the following information is required:

- (1) The Model Number
- (2) Serial Number
- (3) Part Number
- (4) Quantity

TROUBLE SHOOTING CHART

The Engine will not start.

- Make sure the fuel tank is filled with clean petrol. Do not use old petrol.
- On a cold engine, push the primer button (optional on some models) five times.
- Make sure the wire for the spark plug is connected to the spark plug.
- Adjust the carburettor. See the engine manufacturer's instructions.
- There is too much petrol in the engine cylinder. Remove and dry the spark plug. Pull the recoil-start grip several times. Install the spark plug. Connect the wire to the spark plug. Start the engine.
- The engine is difficult to start in heavy or high grass. Move the mower to a clean dry surface.
- Make sure the engine stop lever is in the operating position.

- Make sure the fuel valve is in the ON position. See the engine manufacturer's instructions.

The Engine will not stop.

- Release the engine stop lever.
- Check the engine stop cable. Replace the cable if bent or damaged.

The Engine performance is bad.

- Check the height of cut settings. Raise the height of cut if the grass is high.
- Check the bottom of the blade housing. Clean the blade housing of grass and other debris.
- Check the wire to the spark plug. Make sure the wire is connected.
- Clean the engine cooling fins of grass and other debris.
- Check the carburettor adjustments. See the engine manufacturer's instructions.
- Check the spark plug gap. Set the spark plug gap at 0.030".
- Check the amount of oil in the engine. Fill with oil if necessary.
- Check the engine air cleaner. See the engine manufacturer's instructions.
- The petrol is bad. Drain and clean the fuel tank. Fill the fuel tank with clean petrol.

Excessive Vibration.

- Remove the blade. Check the blade and balance if necessary. See the blade maintenance instructions.
- Check for a bent or broken blade. A DAMAGED BLADE IS DANGEROUS AND MUST BE REPLACED.
- Check the blade adapter. REPLACE A BROKEN BLADE ADAPTER.
- If the vibration continues, take the mower to an Authorized Service Centre.

The grass will not discharge correctly.

- Clean the bottom of the mower housing.
- Check for a badly worn blade. Remove and sharpen the blade. For safety, replace the blade every two years with a factory replacement blade.

The grass is not cut even.

- Check the height adjustment at each wheel. The height adjustment must be the same for each wheel.
- Make sure the blade is sharp.
- Check for a bent or broken blade. A DAMAGED BLADE IS DANGEROUS AND MUST BE REPLACED.
- Check for a broken blade adapter. REPLACE A BROKEN BLADE ADAPTER.

TABLE DES MATIERES

PICTOGRAMMES INTERNATIONAUX	9
INFORMATIONS GENERALES	10
POUR UNE UTILISATION EN TOUTE SECURITE	10
MONTAGE	11
FONCTIONNEMENT	11
ENTRETIEN	12
TABLE DES DEPANNAGES	13

GARANTIE DE MURRAY, INC. LIMITEE DE DEUX ANS

Murray, Inc., garantit au premier acheteur que cet appareil ne présentera pas de défauts de matière et de fabrication dans les conditions normales d'utilisation et d'entretien pendant une période de **deux (2) ans** à compter de la date de l'achat; toutefois, la présente garantie ne couvre pas les moteurs, les accessoires (tels que les chasse-neige rotatifs, les lames chasse-neige, les bacs à herbe et les charrues à neige), les transmissions, les batteries et les pièces d'usure normale (sauf celles notées ci-dessous) ou les boîtes-ponts puisque les fabricants de ces pièces fournissent leurs propres garanties ainsi que le service après-vente dans leurs centres de réparation agréés. Pour de plus amples renseignements, consultez les garanties couvrant ces pièces. Dans le cas où vous ne sauriez pas si votre appareil contient ou est équipé d'une ou plusieurs de ces pièces, consultez votre concessionnaire avant l'achat. C'est parce que nous sommes liés aux modalités et conditions notées dans la présente garantie limitée, que nous réparerons ou remplacerons, à notre guise, sans frais pour le premier acheteur, toute pièce couverte par la présente garantie limitée pendant la

période de garantie applicable. Au cas où la batterie s'avérerait défectueuse dans les quatre-vingt-dix (90) jours qui suivent la date de l'achat, nous la remplacerons sans frais. Si la batterie s'avère défectueuse après (90) jours mais dans les cent vingt (120) jours à compter de la date de l'achat, nous la remplacerons jusqu'à concurrence de la moitié (1/2) du prix de détail de la batterie en vigueur au moment du retour.

Les pièces d'usure normale sont les suivantes : courroies, lames, adaptateurs de lames, pneus, phares et housses de siège. Ces pièces sont garanties comme étant exemptes de défauts de matière et de main d'oeuvre telles qu'elles sont livrées avec le produit. Toute réclamation relative à une réparation ou un remplacement de pièces d'usure normale doit être faite dans les trente (30) jours de la date de l'achat. Aucune réclamation mettant en jeu des dommages-intérêts causés par l'usure, l'abus et le mauvais usage ne sera prise en considération.

La présente **garantie de Murray limitée de deux (2) ans** est votre seul recours; toutefois, la présente garantie ne sera pas valide et ne s'appliquera à aucun appareil qui a été altéré, abîmé, dont il a été fait un mauvais usage, un abus ou utilisé pour la location ou autres usages commerciaux et/ou professionnels (autres que domestiques). Votre garantie ne couvre pas les petits réglages mécaniques qui ne sont pas dus à un défaut quelconque de matière ou de fabrication. Pour de tels ajustements, consultez votre manuel de l'utilisateur.

Pour présenter une réclamation en vertu de la présente **garantie de Murray limitée de deux (2) ans**, retournez l'appareil (ou la pièce défectueuse, si vous avez été autorisé au préalable) avec la preuve de votre achat au centre de ré-

parations après-vente agréé le plus proche de chez vous. Pour trouver votre centre de service après-vente agréé le plus proche, téléphonez au distributeur central de pièces de rechange de votre zone indiqué dans la liste fournie avec votre appareil ou consultez les Pages Jaunes de votre annuaire téléphonique local. Si vous retournez l'appareil tout entier, nous réparerons l'appareil. Si nous autorisons le retour de la pièce défectueuse seulement, nous remplacerons ou réparerons la pièce. En cas de défaut de la transmission ou du différentiel (à distinguer de la boîte-pont), la transmission ou le différentiel tout entier doit être retourné étant donné qu'ils ne contiennent pas de pièces réparables par l'utilisateur.

La présente **garantie de Murray limitée de deux (2) ans** vous donne des droits spécifiques, et vous pourriez également en disposer d'autres.

Cette garantie limitée est promulguée expressément à la place de toute autre forme de garantie explicite ou implicite, notamment de garantie implicite de valeur marchande et d'aptitude à un usage particulier que vous en feriez. Pour de plus amples informations au sujet de la présente garantie limitée, ou pour le service après-vente, écrivez à:

HAYTER LIMITED,
Service Department,
Spellbrook,
Bishop's Stortford,
Hertfordshire. CM23 4BU.

MURRAY, INC.

International Sales
P.O. Box 268
Brentwood, Tennessee USA 37024
1-800-251-8007
Fax (615) 373-6633

PICTOGRAMMES INTERNATIONAUX

REMARQUE IMPORTANTE: les pictogrammes suivants sont situés sur votre appareil ou dans la documentation ci-jointe. Avant de vous servir de la tondeuse, apprenez à reconnaître chaque pictogramme.

REMARQUE: les illustrations et pictogrammes commencent en page 2.

Pictogrammes d'avertissement (Figure 21)

- 1 Avertissement

- 2 **REMARQUE IMPORTANTE :** lire le manuel du propriétaire avant de faire fonctionner la tondeuse.
- 3 **AVERTISSEMENT :** projection d'objets. Gardez vos distances. Lire le manuel de l'utilisateur avant de mettre la tondeuse en marche.
- 4 Ne pas tondre sur des pentes vers le haut et le bas. Tondre en diagonal.
- 5 **DANGER :** Ne pas poser le pied.
- 6 **DANGER :** gardez vos pieds et mains à distance de la lame rotative.
- 7 Niveaux de puissance sonore de 100 dB(A) déclarés conformes à ceux définis par la directive européenne 2000/14/CE.

- 8 **DANGER :** débrancher le câble de la bougie avant toute inspection de l'appareil.
- 9 **DANGER :** Ne pas ouvrir ou démonter les écrans de protection lorsque le moteur est en marche.

Pictogrammes de commande et de fonctionnement (Figure 22)

- 1 Ralenti
- 2 Rapide
- 3 Arrêt du moteur
- 4 Démarrage moteur
- 5 Huile
- 6 Essence
- 7 Avant

MODEL NO.: 226111x52B

SKU No.:

YYYY MM DD: _____

SERIAL NO.:

3050 min-1

32 kg



Manufactured in Lawrenceburg, TN 38464, U.S.A.

Niveaux de vibration déclarés conformes à ceux définis par la directive européenne 98/37/CEE.

Niveaux de vibration relevés conformément à la norme EN 836/A2:2001 : 6,95 m/s². Valeurs déterminées sur les bras de la tondeuse en station immobile sur une surface cimentée à un régime de 3050 min-1.

Niveaux de puissance sonore de 100 dB(A) déclarés conformes à ceux définis par la directive européenne 2000/14/CE.

Niveau de pression acoustique à la station de l'utilisateur 84 dB. Résultats à l'oreille obtenus en application de la norme EN 836/A2:2001.

INFORMATIONS GENERALES

Maîtrisez le produit : si vous connaissez le produit et comprenez comment celui-ci fonctionne, vous en obtiendrez les meilleurs résultats. Au fur et à mesure que vous lisez le manuel, consultez les illustrations ci-jointes. Sachez reconnaître l'emplacement et la fonction de chaque commande. Afin de prévenir tout accident, suivez les instructions d'utilisation ainsi que les règles de sécurité. Conservez ce manuel car il peut vous être utile dans le futur.



AVERTISSEMENT : ce symbole vous indiquera les mesures de sécurité à prendre. Le message de ce symbole est le suivant : "Attention! Soyez prudent! Votre sécurité est en jeu."

Responsabilité du propriétaire



AVERTISSEMENT : Sachez que cette machine pourrait vous amputer les mains et les pieds. Si vous n'observez pas les mesures de sécurité suivantes, vous encourez le risque de vous blesser (ainsi que les gens à proximité) sérieusement, voire mortellement.

Un utilisateur responsable doit suivre les instructions ci-dessous.

POUR UNE UTILISATION EN TOUTE SECURITE

Pour les tondeuses poussées ou autotractées à lame rotative

Conseils préliminaires

1. Lisez les instructions très attentivement. Familiarisez-vous avec les commandes et l'utilisation appropriée de l'équipement.
2. Ne jamais laisser des enfants ou des personnes non familiarisées avec le produit utiliser la tondeuse. Des réglementations gouvernementales peuvent établir un âge minimal.
3. Ne jamais tondre lorsque des personnes, surtout des enfants, ou des animaux sont à proximité.
4. Garder à l'esprit que l'opérateur ou l'utilisateur est tenu responsable des risques ou accidents arrivés aux autres personnes ou à leurs biens.

Préparation

1. Lors de la tonte, portez toujours des chaussures qui vous apportent une protection complète et des pantalons. Ne jamais tondre pieds nus ou avec des sandales ouvertes.
2. Inspectez la zone à tondre et enlevez tous les objets que la machine pourrait éjecter sur son passage.
3. **AVERTISSEMENT - L'essence est hautement inflammable.**
 - a. Réserver du carburant dans des jerricanes prévues à cet effet.

- b. Remplir de carburant uniquement à l'air libre et ne pas fumer.
 - c. Ajouter du carburant avant de démarrer le moteur. Ne jamais enlever la protection du réservoir ni même ajouter de carburant lorsque le moteur est en marche ou chaud.
 - d. Si une fuite d'essence se produit, ne pas tenter de démarrer la machine et l'éloigner de la zone de fuite en question : attendez que les vapeurs d'essence se soient dissipées avant d'utiliser la tondeuse.
 - e. Replacer correctement les bouchons du réservoir et de la jerricane.
4. Changer les amortisseurs de bruit défectueux.
 5. Avant toute utilisation, s'assurer que les lames, boulons de lames et positionnement des lames ne soient pas usés ou endommagés. Remplacer les lames et boulons usés ou endommagés en même temps afin de respecter l'équilibre.
 6. En ce qui concerne les tondeuses multi lames, prendre garde lors de la rotation d'une lame car celle-ci peut entraîner la rotation des autres.

Utilisation

1. Ne pas mettre le moteur en route dans un espace confiné où de dangereuses vapeurs de monoxyde de carbone peuvent s'accumuler.
2. Tondre seulement durant la journée ou bien sous un éclairage artificiel puissant.
3. Eviter de faire fonctionner l'appareil sur de l'herbe mouillée toutes les fois que ce sera possible.
4. Veiller à toujours avoir les pieds sur une base solide lors de la tonte sur pentes.
5. Marcher ; ne jamais courir.
6. Pour les tondeuses à roues rotatives, tondre en diagonal, jamais vers le haut ou le bas.
7. Redoubler d'attention lors de changements de directions sur pentes.
8. Ne pas tondre sur des pentes trop abruptes.
9. Soyez vigilant lorsque vous faites face à la tondeuse ou lorsque vous la tirez vers vous.
10. Arrêter la (les) lame(s) si la tondeuse doit être penchée pour être transportée dans le but de traverser des espaces autres qu'herbés, pour l'amener vers la zone à tondre ou pour l'y retirer.
11. Ne jamais faire marcher la tondeuse avec des éléments de protection défectueux, ou sans aucun dispositif de sécurité ; par exemple, les déflecteurs et/ou les receveurs à herbe doivent être maintenus en place.
12. Ne pas changer les réglages du régulateur du moteur et ne pas le mettre en surrégime.
13. Désengager les embrayage de lame et de transmission avant de démarrer le moteur.

14. Démarrer le moteur ou tourner le commutateur sur le moteur avec soin selon les instructions et en maintenant les pieds bien éloignés de la (les) lame(s).
15. Ne pas pencher la tondeuse lors du démarrage du moteur ou lors de la commutation sur le moteur, sauf si la tondeuse doit être penchées pour le démarrage. Dans ce cas, ne pas la pencher plus que nécessaire et ne soulever que la partie éloignée de l'utilisateur.
16. Ne démarrez pas le moteur si vous vous trouvez en face de zone de chute.
17. Ne pas mettre les pieds ou les mains à proximité ou dessous les parties rotatives. Se trouver éloigné de l'ouverture de chute à tout moment.
18. Ne jamais soulever ou transporter une tondeuse quand le moteur est marche.
19. Arrêter le moteur et débrancher le câble de la bougie.
 1. avant de débloquer et nettoyer la machine de toute obstruction ;
 2. avant d'inspecter, nettoyer, ou travailler sur la tondeuse ;
 3. après avoir touché un objet. Inspecter la tondeuse et effectuer les réparations nécessaires avant de redémarrer la machine ;
 4. si la machine commence à vibrer de façon anormale (vérifier dans l'instant).
20. Arrêtez le moteur
 1. lorsque vous quittez la tondeuse ;
 2. avant de remettre du carburant ;
21. Réduire le réglage de l'accélérateur au point mort et, si la tondeuse est fournie avec une valve de coupure d'alimentation, couper l'alimentation en carburant après la tonte.
22. Redoubler d'attention à l'approche de coins aveugles, de buissons, arbres ou autres objets qui peuvent obstruer la visibilité.

Entretien et entreposage

1. S'assurer que les écrous, les boulons et les vis soient bien serrés pour que la tondeuse soit dans de bonnes conditions d'utilisation.
2. Ne jamais garder la tondeuse avec du carburant dans le réservoir à l'intérieur d'un bâtiment où des émanations peuvent atteindre une flamme nue ou une étincelle.
3. Laisser la tondeuse refroidir avant de la ranger dans une enceinte.
4. Afin de limiter tout risque de feu, s'assurer que le moteur, l'amortisseur de bruit, le compartiment de batterie et la zone de réserve de carburant soient débarrassés d'herbe, de feuilles ou de graisse excessive.
5. Vérifier fréquemment que le receveur d'herbe ne soit pas usé ou détérioré.
6. Remplacer les pièces usées ou défectueuses.
7. Si le réservoir doit être vidé, ceci doit être fait au dehors.

MONTAGE

REMARQUE : les illustrations et pictogrammes commencent à la page 2.

Instructions de déballage

La tondeuse a été assemblée entièrement à l'usine. Lorsque la tondeuse a été mise dans le carton, les bras ont été mis en position entreposage. Afin de mettre la tondeuse en position de fonctionnement, suivre les étapes ci-dessous :

1. Enlever la tondeuse de son carton.
2. (**Figure 1**) Mettre les **bras inférieurs (1)** en position de fonctionnement. S'assurer que les **bras inférieurs (1)** soient entre les **patte de serrage (2)**.
3. Mettre les **bras supérieurs (1)** en position de fonctionnement. Visser les **écrous papillon (4)**.

ATTENTION : soyez vigilant lorsque vous pliez ou élevez les bras de la tondeuse. Ne pas endommager les câbles. Un câble plié ne fonctionne pas correctement. Avant d'utiliser la tondeuse, remplacer tout câble plié ou endommagé.

4. (**Figure 7**) Engager la **manette d'arrêt du moteur (1)**.
5. (**Figure 2**) Pour fixer la **prise de démarrage manuel (1)** au **guide de corde (2)**, enrouler le fil à travers le **guide de corde (2)** situé sur la droite des bras.

REMARQUE : Si vous ne pouvez pas fixer la prise de démarrage manuel parce que le fil est trop court, maintenir la manette d'arrêt du moteur contre les bras. Tirer lentement sur la prise de démarrage manuel.

Réglage de la hauteur des bras

(**Figure 3 et Figure 4**) Lafixation du bras de levage (1) dispose de deux positions d'assemblage. Une position **HIGH** (haute) (3) et une **LOW** (basse) (4). La position **HIGH** (3) relèvera le bras d'environ quatre pouces.

1. (**Figure 1**) Retirer les **écrous papillon (6)** et les boulons des **fixations droite et gauche du bras de levage (2)**.
2. (**Figure 3**) Pour lever le bras, mettre le **bras inférieur (1)** en position **HIGH** (haut) (3).
3. (**Figure 4**) Pour baisser le bras, mettre le **bras inférieur (1)** en position **LOW** (basse) (3).
4. (**Figure 1**) Fixer le **bras inférieur (1)** aux **fixations du bras de levage (2)** à l'aide des **boulons** et des **écrous papillon (6)**.

Préparation du moteur

Remarque : le moteur ne contient pas d'HUILE ou d'ESSENCE.



AVERTISSEMENT : suivre les instructions du fabricant de ce moteur au sujet de l'utilisation de l'essence et de l'huile. Se munir toujours d'une jerrycan prévue à cet effet. Ne pas fumer lorsque l'on verse du carburant dans le moteur. Verser le carburant à l'air libre, après avoir coupé le moteur. Laisser le moteur refroidir pendant un moment.

REMARQUE: La puissance continue réelle en cheval-vapeur sera probablement inférieure par le fait des limites d'utilisation et des facteurs environnementaux.

F-050445L

Consultez les instructions données par le fabricant du moteur pour déterminer l'essence et l'huile à utiliser. Avant toute utilisation, lisez les instructions de sécurité, d'utilisation, d'entretien, et de rangement.

Retrait et installation du dispositif de broyage



AVERTISSEMENT : avant d'installer ou de retirer le dispositif de broyage, débrancher le câble de la bougie.

Pour certains modèles, l'installation du dispositif de broyage est effectuée à l'usine. Pour passer du dispositif de broyage à celui de décharge latérale, enlever le dispositif de broyage.

Une tondeuse à dispositif de décharge latérale peut être transformée en tondeuse à broyage en installant le dispositif de broyage comme suit :

1. (**Figure 6**) Soulever le **défecteur de glissière (1)**.
2. Monter la **patte (3)** située sur la partie supérieure de l'accessoire de broyage (2) sur la partie intérieure du bloc de coupe.
3. (**Figure 5**) Monter la **patte (4)** sur partie inférieure de l'accessoire de broyage (2) sur la partie intérieure du bloc de coupe.
4. Rabaisser le **défecteur (1)**.

Quelques conseils...

Le broyage est une coupe très fine de l'herbe afin que l'herbe puisse être facilement recyclée. Grâce aux éléments nutritifs qui retournent au sol, la pelouse a moins besoin de fertilisant. Pour un broyage satisfaisant, suivez ces petits conseils :

- L'herbe doit être sèche. Sinon, la tonte sera difficile et entraînera la formation de petits tas d'herbe.
- L'herbe ne doit pas être trop haute. La hauteur maximale est de 11,5 cm. Régler les bras de réglage de hauteur de coupe de manière à ce que soit coupé seulement le tiers haut de l'herbe.
- Si la hauteur de l'herbe est supérieure à 11,5 cm, il vous faudra tondre deux fois. Pour la première tonte, régler les bras de réglage de hauteur de coupe à la position la plus haute. Puis, rabaisser les bras pour la seconde tonte.
- Veiller à ce que la lame soit toujours coupante. Une lame non coupante rendra les bouts des brins d'herbe marrons.
- Nettoyer l'intérieur du bloc de coupe. L'herbe et autre débris peuvent empêcher le bon fonctionnement de la tondeuse.

Si la qualité de coupe est médiocre, suivez ces conseils :

- Régler les bras de réglage de hauteur de coupe à une position plus haute.
- Tondre plus fréquemment.
- Faire fonctionner la tondeuse à une vitesse plus réduite.
- Tondre par dessus les extrémités de chaque bande tondue afin de ne pas laisser de marques d'herbe prises entre deux bandes.
- Tondre une deuxième fois, en diagonal, les mauvais espaces tondus.

FUNCTIONNEMENT

REMARQUE : les illustrations et pictogrammes commencent à la page 2.

Manette d'arrêt du moteur (**Figure 7**)

Relâcher la **manette d'arrêt du moteur (1)** et le moteur ainsi que la lame s'arrêteront automatiquement. Pour faire marcher le moteur, maintenir la **manette d'arrêt du moteur (1)** en **position fonctionnement (2)**

Avant de mettre le moteur en marche, faire fonctionner la **manette d'arrêt du moteur (1)** plusieurs fois. S'assurer que le câble bouge facilement.

Arrêt du moteur (**Figure 7**)

Pour arrêter le moteur, relâcher la **manette d'arrêt du moteur (1)**. Débrancher le câble de la bougie afin de prévenir tout démarrage accidentel du moteur.

Si le moteur ne s'arrête pas, tenir un tournevis contre la bougie et contre les ailettes de refroidissement. La bougie ira à la masse et le moteur s'arrêtera. Avant le démarrage du moteur, vérifier le câble d'arrêt après s'être assuré que ce dernier soit bien assemblé. Avant de faire fonctionner la tondeuse, remplacer tout câble d'arrêt du moteur plié ou endommagé.

Système de transmission avant (**Figure 8**)

La tondeuse dispose d'un système de transmission avant. Le faire fonctionner comme suit.

1. Avoir la **manette d'arrêt du moteur (1)** en position de fonctionnement (OPERATING).
 2. Placer la **manette de transmission (2)** complètement vers l'avant. Lorsque la **manette de transmission (2)** clique, la relâcher. Le système de transmission avant est maintenant engagé.
- REMARQUE : pour arrêter le moteur , relâcher la manette d'arrêt du moteur.**
3. Pour désengager le système de transmission et pour arrêter le moteur, relâcher complètement la **manette d'arrêt du moteur (1)**.
 4. Pour désengager uniquement le système de transmission, relâcher la **manette d'arrêt du moteur (1)** d'environ deux pouces. Le système de transmission se désengagera mais le moteur continuera de tourner.



AVERTISSEMENT : pour une utilisation en toute sécurité, le mécanisme d'entraînement doit être immédiatement désengagé lorsque la manette d'engagement moteur est relâchée. Si le mécanisme d'entraînement ne se désengage pas correctement, ne pas faire fonctionner la tondeuse tant que ce dernier n'est pas réglé, réparé par un centre agréé.

Démarrage du moteur (**Figure 9 et Figure 10**)



AVERTISSEMENT : La lame tournera lorsque le moteur sera mis en marche.

1. Vérifier l'huile.
2. Remplir le réservoir d'essence avec de l'essence sans plomb. Cf. "Préparation du moteur".
3. S'assurer que le câble de la bougie soit branché à la bougie.


- S'assurer que la manette d'engagement moteur soit en position DESENGAGE.
- (Figure 9) Le **bouton d'amorçage (1)** est situé sur le côté du moteur. Appuyer dessus cinq fois. Entre deux pressions, attendre deux secondes.
REMARQUE : ne pas utiliser le bouton d'amorçage pour démarrer un moteur chaud.
- (Figure 10) Rester derrière la tondeuse. D'une main, tenir la **manette d'arrêt du moteur (1)** dans la position de fonctionnement indiquée. De l'autre main, tenir la **poignée à démarrage manuel (2)**.
- Tirer rapidement la **poignée à démarrage manuel (2)**. Retourner lentement la **poignée à démarrage manuel (2)**.
- Si le moteur ne démarre pas après 5 ou 6 essais, consulter les instructions de la "Table de dépannages".

ENTRETIEN

REMARQUE : les illustrations et pictogrammes commencent à la page 2.

Entretien du moteur

Suivez bien les instructions de la section Entretien pour garder votre tondeuse en de bonnes conditions d'utilisation. Toute l'information relative au moteur se trouve dans le livre d'instructions relatives au moteur. Avant de démarrer le moteur, il est fort conseillé de lire ce livre.

 **AVERTISSEMENT : avant toute inspection, réglage, ou réparation de la tondeuse, débrancher le câble de la bougie et l'enlever afin de prévenir tout démarrage de la tondeuse accidentel.**

Basculement du moteur (Figure 20)

Lors de l'entretien du moteur, de l'inspection des lames, ou du nettoyage du dessous du corps de la tondeuse, veiller à toujours pencher la machine avec la bougie dirigée vers le haut. Le transport ou le basculement du moteur avec la bougie dirigée vers le bas suscitera :


- Des difficultés de démarrage.
- La production de fumée par le moteur.
- L'encrassement de la bougie.
- Une saturation d'huile ou de gaz dans le filtre à air.

Lubrification

- Pour de meilleurs résultats, lubrifier les roues et les points de pivotement avec de l'huile pour moteur toutes les 25 heures.
- Pour lubrifier le moteur, consulter le livre d'instructions relatives au moteur.

REMARQUE : ne pas lubrifier le câble de blocage du moteur. Les lubrifiants l'endommageront et l'empêcheront de bouger librement. Remplacer tout câble plié ou endommagé.

Nettoyage du bloc de coupe


 **AVERTISSEMENT : La lame tournera quand le moteur sera mis en route. Avant de nettoyer le bloc de coupe, arrêter le moteur et débrancher le câble de la bougie.**

F-050445L

L'herbe et autres débris peuvent entraver le bon fonctionnement de la machine. Après avoir tondu, nettoyer le bloc de coupe comme suit :

- Arrêter le moteur.
- Débrancher le câble de la bougie.
- Nettoyer le haut et le bas du bloc de coupe.

Réglage de la hauteur de coupe (Figure 11)


 **AVERTISSEMENT : la lame tournera quand le moteur sera mis en route. Avant de changer la hauteur de coupe, débrancher le câble de la bougie.**

Pour changer la hauteur de coupe, changer la position des **bras de réglage rapide (1)** à chaque roue. S'assurer que les **bras de réglage rapide (1)** soient dans la même position de manière à ce que la tondeuse soit à niveau.

- Désengager les **bras de réglage (1)**.
- Changer la position des **bras de réglage (1)**.

Retrait de la courroie motrice

Pour retirer la courroie motrice, suivre les étapes ci-dessous.


 **AVERTISSEMENT : avant d'effectuer le retrait de la courroie motrice, débrancher le câble de la bougie.**

- (Figure 13) Retirer le **capot de courroie (1)**.
- (Figure 14) Desserrer le **boulon de tension de la courroie (2)**.
- Enlever la **courroie motrice avant (3)** de la **poulie motrice (4)**.
- (Figure 15) Pour retirer la partie arrière de la **courroie motrice (3)**, passer la **courroie motrice (3)** par dessus l'**extrémité de la lame (4)**.

REMARQUE : ne remplacer la courroie qu'avec une pièce d'origine.

- Pour remonter la **courroie motrice (3)**, reprendre dans l'ordre inverse les étapes ci-dessus.
- (Figure 16) Réglage de la tension de la courroie.
 - Ensuite, serrer l'**écrou de réglage (5)** jusqu'à ce que l'écrou touche la **rondelle d'espacement (6)**. Essayer de faire tourner **rondelle d'espacement (6)**. Lorsque l'**écrou de réglage (5)** touche la **rondelle d'espacement (6)**, celle-ci ne peut pas tourner.
 - Ensuite, desserrer l'**écrou de réglage (5)** suffisamment de façon à permettre à la **rondelle d'espacement (6)** de tourner. La tension de la **courroie motrice (3)** est à présent réglée.
- (Figure 13) Remonter le **carter de la courroie (1)**.
- Avant de tondre, vérifier que la transmission se désengage correctement et que la tondeuse s'arrête normalement. Si ce n'est pas le cas, ne pas se servir de la machine avant qu'elle ait été ajustée par un centre de service agréé.

Réglage du câble de transmission (Figure 12)

 **DANGER : Avant d'effectuer le réglage du câble de transmission, relâcher la manette d'arrêt du moteur et attendre que le moteur soit arrêté.**

Si l'embrayage et le débrayage du système de transmission ne fonctionnent pas correctement, vérifier que la poignée est correctement montée. Vérifier également que toutes les pièces sont en bon état et non cassées ni tordues, et que toutes les vis sont correctement serrées.

Des pièces usées ou un câble de transmission détendu peuvent altérer le fonctionnement du système de transmission. La tonte sur herbe haute ou épaisse, ou sur surfaces en pente peut entraîner le patinage du système de transmission. Le cas échéant, régler le système de transmission comme suit, ou faire réparer la machine auprès d'un centre de maintenance agréé.

IMPORTANT : Avant de démarrer le moteur, actionner la manette d'arrêt du moteur à plusieurs reprises. S'assurer que le câble d'arrêt du moteur circule librement.


REMARQUE : Ce moteur n'est pas muni d'une manette d'accélération ou d'un système de réglage de la vitesse du moteur. Ce moteur est pré-réglé à une vitesse idéale pour la coupe et la mise en sac de l'herbe, et pour une durée de vie maximum.

- Si le système de transmission patine, faire pivoter la **butée réglable (1)** d'un tour dans la direction indiquée sur l'illustration. Tester le système de transmission et détecter tout patinage.
- Si le système de transmission continue à patiner, faire pivoter la **butée réglable (1)** d'un tour supplémentaire pour tendre le câble davantage. Tester le système de transmission une nouvelle fois.
- Répéter le réglage et le test du système de transmission jusqu'à ce qu'il n'y ait plus de patinage.
- Avant de commencer à tondre, s'assurer que le système de transmission débraye correctement et que la tondeuse s'arrête. Si la transmission ne débraye pas correctement, faire vérifier la tondeuse auprès d'un centre de maintenance agréé avant de commencer à l'utiliser.

Remplacement de la lame de broyage

Une tondeuse à dispositif de broyage est équipée d'une lame de broyage spécifique. Si celle-ci est usée ou endommagée, remplacez-la par une lame de broyage Murray. Une lame standard ne donnera pas entière satisfaction et peut causer un accident.

Révisions de la lame

 **AVERTISSEMENT : avant d'inspecter la lame ou l'adaptateur de lame, débrancher le câble de la bougie.**

Si la lame heurte un objet, arrêter le moteur. Débrancher le câble de la bougie. Voir si la tondeuse n'a pas été endommagée.

Vérifier fréquemment la lame en veillant à ce qu'elle ne soit pas usée ou endommagée (fissures). Vérifier fréquemment le boulon qui retient la lame. Le maintenir bien serré. Si la lame heurte un objet, couper le moteur. Débrancher le câble de la bougie. Vérifier la

lame, en veillant à ce qu'elle ne soit pas pliée, endommagée, usée etc. Avant de faire fonctionner la tondeuse, les pièces endommagées doivent être remplacées par des pièces Murray. Par mesure de sécurité, remplacer la lame tous les deux ans. La garder bien coupante. Une lame usée rendra les bouts de brins d'herbe marrons. Retirer la lame comme suit :

Retrait de la lame (Figure 17 et Figure 18)



AVERTISSEMENT : avant de retirer la lame, débrancher le câble de la bougie. La lame a des bords tranchants. Il est donc conseillé de porter des gants ou tout autre accessoire qui peut protéger les mains lorsque l'on manipule la lame.

1. Vider le réservoir d'essence.
2. Soulever la partie de la tondeuse qui dispose du pot d'échappement ou de la bougie.
3. A l'aide d'un morceau de bois, empêcher la lame de tourner.
4. Retirer le **boulon (1)** qui maintient la **lame (2)**.
5. Inspecter la lame selon les instructions présentes dans "Révisions de la lame". Les pièces endommagées ou usées doivent être remplacées par des pièces Murray.
6. Monter la lame de manière à ce que les bords relevés soient en hauteur. Si la lame est à l'envers, elle ne coupera pas correctement et risquera de provoquer un accident.
7. Attacher la **lame (2)** à l'aide des **rondelles (3 et 4)** et du **boulon (1)**. S'assurer que le rebord extérieur des **rondelles Belleville (4)** soient contre la **lame (2)**.
8. Serrer le **boulon (1)** qui maintient la **lame (2)** à un couple de torsion de 30 pieds-livres.



AVERTISSEMENT : veiller à ce que le boulon (1) soit bien serré et qu'il retienne la lame (2). Sinon, vous pourriez risquer un accident.

Inspection du niveau de coupe

Tester la tondeuse sur un petit espace. Si la hauteur de coupe n'est pas à niveau ou l'herbe tondue n'est pas rejetée, les raisons peuvent être les suivantes : (1) lame endommagée ou pliée (2), lame pas assez coupante, (3) lame usée, (4) adaptateur de lame cassé. Avant de faire fonctionner la tondeuse, remédier à tout problème.

Position des bras pour l'entreposage (Figure 19 et Figure 1)

ATTENTION : rabattez les bras avec soin, en évitant d'endommager les câbles. Un câble ayant été plié ne fonctionnera pas correctement. Avant de vous servir de la tondeuse, remplacer tout câble plié ou endommagé.

Rabattre les bras

1. (Figure 19) Desserrer les attaches qui maintiennent les bras à leurs supports. Avant de rabattre les bras, prendre garde à ne pas laisser les câbles se coincer, car ils pourraient sinon être endommagés. Rabattre les bras vers l'arrière de la machine.

2. (Figure 1) Relâcher les écrous papillon du **bras inférieur (1)**. Les placer sur les extrémités des **bras inférieurs (1)**. Ensuite, déplacer les extrémités des **bras inférieurs (1)** au delà des **pattes de serrage (2)**.
3. Rabattre les bras vers l'avant et par dessus le moteur. S'assurer que les câbles ne soient pas endommagés.

Soulever les bras

1. Tirer en arrière sur les bras jusqu'à ce que les extrémités des **bras inférieurs (1)** soient fixés.
2. Soulever la partie supérieure des bras et la placer en position d'utilisation. Serrer à l'aide d'attaches afin de maintenir les bras.

Préparation de la tondeuse pour entreposage



AVERTISSEMENT : ne pas vider l'essence de la tondeuse à l'intérieur d'un bâtiment, près d'un feu, ou lorsque l'on fume. Des vapeurs d'essence peuvent entraîner une explosion ou un incendie.

1. Vider le réservoir d'essence.
2. Faire fonctionner le moteur jusqu'à ce qu'il n'y ait plus d'essence.
3. Vider l'huile du moteur chaud. Remplir le carter du moteur de nouvelle huile.
4. Retirer la bougie du cylindre. Verser une once d'huile dans le cylindre. Puis, tirer lentement sur la poignée à démarrage manuel de manière à ce que l'huile protège le cylindre. Installer une nouvelle bougie dans le cylindre.
5. Nettoyer les ailettes de refroidissement du cylindre ainsi que le carter du moteur de toute la saleté et débris.
6. Nettoyer le dessous du bloc de coupe.
7. Nettoyer la tondeuse en entier afin de protéger la peinture.
8. Mettre la tondeuse dans un bâtiment bien ventilé.

Remplacement des pièces détachées

Le remplacement de pièces détachées est montré soit au dos de ce manuel, soit dans un manuel séparé de pièces de rechange.

Il est vivement recommandé de n'utiliser que des pièces autorisées par le fabricant ou approuvées. La lettre placée à la fin du numéro de la pièce vous signale le type d'affinage pour la pièce, C pour le chrome, Z pour le zinc, PA pour une pièce achetée. Il est important de le joindre lors de la commande d'une pièce. Ne pas utiliser de pièces tractées ou d'accessoires non spécifiquement prévus pour la tondeuse. Pour obtenir la pièce de remplacement adéquate, il vous faut fournir le numéro du modèle de la tondeuse (Cf. plaque indicatrice).

Les pièces de rechange, à l'exception faite du moteur, des transmissions, de la boîte-pont ou du différentiel, sont disponibles depuis le magasin d'où la tondeuse a été achetée, ou bien dans un atelier de service recommandé.

Si vous ne pouvez vous procurer les pièces ou ne connaissez personne pour dépanner ou veiller à l'entretien de la tondeuse, veuillez contacter :

HAYTER LIMITED,
Service Department,
Spellbrook,
Bishop's Stortford,
Hertfordshire. CM23 4BU.

MURRAY, INC.

International Sales
P.O. Box 268
Brentwood, Tennessee USA 37024
1-800-251-8007
Fax (615) 373-6633

Le remplacement des pièces comme le moteur, les transmissions, la boîte-pont ou le différentiel, sont disponibles depuis un service autorisé par le fabricant, dont l'adresse peut être trouvée dans les Pages jaunes. Par ailleurs, vous pouvez vous appuyer sur les garanties s'appliquant au moteur ou aux transmissions pour commander les pièces de rechange. Lors de la commande, vous devrez fournir les informations suivantes :

- (1) Le numéro du modèle
- (2) Le numéro de série
- (3) Le numéro de la pièce
- (4) La quantité

TABLE DES DEPANNAGES

Le moteur ne démarre pas.

1. Assurez-vous que le réservoir d'essence soit rempli d'essence propre.
2. Sur un moteur froid, enfoncez le bouton d'amorçage (en option sur certains modèles) cinq fois.
3. Assurez-vous que le câble de la bougie soit connecté à la bougie.
4. Ajustez le carburateur. Cf. le livre d'instructions relatives au moteur.
5. Il y a trop d'essence dans le cylindre du moteur. Retirez la bougie et séchez-la. Tirez plusieurs fois sur la poignée à démarrage manuel. Installez la bougie. Branchez le câble à la bougie. Mettre le moteur en marche.
6. Le moteur a du mal à démarrer sur de l'herbe épaisse ou haute. Placer la tondeuse sur une surface propre et sèche.
7. Assurez-vous que la manette d'arrêt du moteur soit en position de fonctionnement.
8. Assurez-vous que la valve d'essence soit en position ON. Cf. le livre d'instructions relatives au moteur.

Le moteur ne s'arrête pas.

1. Relâchez la manette d'arrêt du moteur.
2. Vérifiez le câble d'arrêt du moteur. Remplacez tout câble plié ou endommagé.

Les performances du moteur sont médiocres.

1. Vérifiez les réglages de hauteur de coupe. Elever la hauteur de coupe si l'herbe est haute.
2. Inspectez le dessous du carter de la lame. Nettoyez la tondeuse de l'herbe et autre débris.
3. Inspectez le câble de la bougie et voyez s'il est bien branché.
4. Nettoyez les ailettes de refroidissement du moteur et autres débris.

5. Vérifiez les réglages du carburateur. Cf. le livre d'instructions relatives au moteur.
6. Vérifiez la fente au niveau de la bougie. Réglez-la à 0,030 pouces.
7. Vérifiez le niveau d'huile du moteur. Rajoutez-en si nécessaire.
8. Vérifiez l'épurateur d'air. Cf. le livre d'instructions relatives au moteur.
9. L'essence n'est pas bonne. Videz-la et nettoyez le réservoir. Remplissez le réservoir d'essence propre.

Vibration excessive.

1. Enlevez la lame, inspectez-la et procédez à un test d'équilibrage, si nécessaire. Cf. les instructions sur l'entretien de la lame.

2. Veillez à ce que la lame ne soit ni pliée, ni cassée. **UNE LAME ENDOMMAGÉE EST DANGEREUSE ET DOIT ÊTRE REMPLACÉE.**
3. Vérifiez l'adaptateur de lame. **REMPLACEZ UN ADAPTATEUR DE LAME CASSE.**
4. Si les vibrations continuent, portez votre tondeuse à un centre de service agréé.

L'herbe n'est pas rejetée normalement.

1. Nettoyez le dessous du bloc de coupe.

2. Voyez si la lame est usée. Retirez-la et aiguissez-la. Par mesure de sécurité, remplacez la lame tous les deux ans par une lame Murray.

L'herbe n'est pas coupée de manière égale.

1. Vérifiez les réglages de hauteur à chaque roue qui doivent être les mêmes partout.
2. Assurez-vous que la lame soit coupante.
3. Inspectez la lame. **UNE LAME ENDOMMAGÉE EST DANGEREUSE ET DOIT ÊTRE REMPLACÉE.**
4. Vérifiez l'adaptateur de lame. **REMPLACEZ UN ADAPTATEUR DE LAME CASSE.**

INHALT

INTERNATIONALE SYMBOLE	15
INFORMATIONEN FÜR DEN EIGENTÜMER	16
SICHERHEITSHINWEISE	16
MONTAGE	17
BETRIEB	17
WARTUNG	18
STÖRUNGSBEHEBUNG	19

MURRAY, INC. BESCHRÄNKTE ZWEIJÄHRIGE GARANTIE

Die Firma Murray Ohio Manufacturing Company (Murray) garantiert dem ursprünglichen Käufer, daß dieser Mäher bei normalem Gebrauch keine Material- oder Ausführungsfehler aufweist; diese Garantie ist befristet auf **zwei (2) Jahre** ab dem Kaufdatum. Sie gilt jedoch nicht für Motoren, Zubehörteile (wie z.B. Schneebläser, Schneepflugscharen, Grasfangsäcke und Pflüge), Getriebe, Batterien und Verschleißteile (mit Ausnahme der unten genannten) oder Hinterachsen mit Kardanwelle, da die Hersteller dieser Teile für sie Garantie leisten und Wartung durch autorisierte Kundendienststellen dieser Hersteller zur Verfügung steht. Zusätzliche Informationen sind den Garantieunterlagen für diese Teile zu entnehmen. Falls Sie nicht sicher sind, ob Ihr Mäher mit einem dieser Teile ausgerüstet ist, kann Ihr Händler Ihnen diese Informationen vor dem Kauf des Mähers geben. Unter den Bedingungen dieser befristeten Garantie werden wir, nach unserem Ermessen, während der Garantiezeit die unter dieser Garantie stehenden Teile kostenfrei für den ursprünglichen Käufer ersetzen oder reparieren.

Falls die Batterie sich innerhalb von neunzig (90) Tagen nach dem Kaufdatum als fehlerhaft erweist, werden wir sie kostenlos ersetzen. Wird ein Batteriefehler nach mehr als neunzig (90) Tagen, aber innerhalb einer Frist von einhundertzwanzig (120) Tagen nach dem Kaufdatum festgestellt, werden wir sie gegen Zahlung des halben Einzelhandelspreises einer neuen Batterie zum Zeitpunkt des Umtauschs ersetzen.

Verschleißteile werden definiert als Riemen, Messer, Messerpaßstücke, Luftreifen, Scheinwerfer und Sitzbekleidungen. Wir garantieren, daß diese Teile im gelieferten Zustand keine Material- oder Ausführungsfehler aufweisen. Anspruch auf Reparatur oder Ersatz von Verschleißteilen muß innerhalb von dreißig (30) Tagen nach dem Kaufdatum erhoben werden. Ansprüche aufgrund von Schäden, die durch Gebrauch oder Mißbrauch entstanden sind, werden nicht anerkannt.

Diese **zweijährige beschränkte Garantie** legt alle Ihnen zustehenden Ansprüche fest; diese Garantie ist jedoch nichtig und trifft nicht zu, falls ein Mäher falsch eingestellt, umgebaut, falsch gebraucht oder im Leihgeschäft oder sonst für gewerbliche Zwecke gebraucht worden ist. Die Garantie erstreckt sich nicht auf geringfügige mechanische Einstellungen, die nicht durch einen Material- oder Ausführungsfehler verursacht sind. Anweisungen zu solchen Einstellungen sind der Bedienungsanleitung zu entnehmen. Um einen Anspruch unter dieser **zweijährigen beschränkten Garantie** geltend zu machen, ist der Mäher (oder, falls im voraus vereinbart, das fehlerhafte Teil) zur Ihnen am nächsten gelegenen Kundendienststelle zu bringen; die Kaufunterlagen sind mitzubringen. Sie können die

Adresse der nächstgelegenen Kundendienststelle vom in Ihren Unterlagen aufgeführten Regionalen Ersatzteilauslieferungszentrum erfahren oder in den Gelben Seiten Ihres örtlichen Telefonbuchs finden. Wenn Sie den kompletten Mäher zur Kundendienststelle bringen, werden wir ihn reparieren. Haben wir vereinbart, nur das fehlerhafte Teil zur Kundendienststelle zu bringen, werden wir dieses reparieren oder ersetzen. Falls das Getriebe oder das Differentialgetriebe (im Gegensatz zur Hinterachse mit Kardanwelle) Fehler aufweist, muß das gesamte Getriebe bzw. Differentialgetriebe zur Kundendienststelle gebracht werden, da diese Einheiten keine durch den Benutzer zu wartenden Teile enthalten. Diese **zweijährige beschränkte Garantie** gewährt Ihnen bestimmte gesetzliche Rechte; fernhin stehen Ihnen eventuell auch weitere, regional variierende Rechte zu. **Diese beschränkte Garantie ersetzt jegliche andere Sachmängelhaftung und gesetzliche Gewährleistung einschließlich gesetzlicher Garantieverpflichtung und Eignungsgarantie.** Bitte schreiben Sie für weitere Informationen zu dieser Garantie und für Hilfe im Erhalt von Kundendienst an:

HAYTER LIMITED,
Service Department,
Spellbrook,
Bishop's Stortford,
Hertfordshire. CM23 4BU.

MURRAY, INC.
International Sales
P.O. Box 268
Brentwood, Tennessee USA 37024
1-800-251-8007
Fax (615) 373-6633

INTERNATIONALE SYMBOLE

WICHTIG: Die folgenden Symbole befinden sich auf Ihrem Gerät oder in der mit dem Produkt gelieferten Dokumentation. Machen Sie sich vor der Inbetriebnahme des Geräts mit allen Symbolen vertraut.

HINWEIS: Abbildungen und Symbole finden sich auf Seite 2ff.

Sicherheitswarnzeichen (Abb. 21)

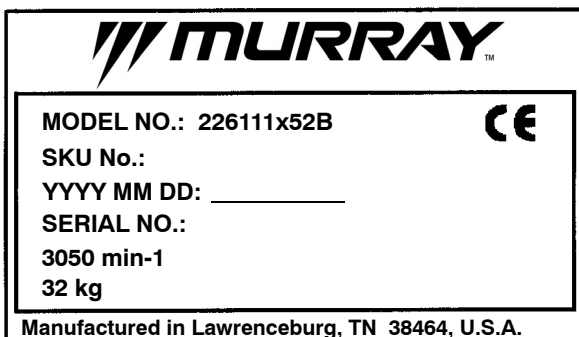
1 Achtung

- 2 **WICHTIG:** Vor dem Betrieb dieser Maschine das Benutzerhandbuch lesen.
- 3 **ACHTUNG:** Ausgeworfene Gegenstände. Umstehende Personen fernhalten. Vor dem Betrieb dieser Maschine das Benutzerhandbuch lesen.
- 4 Nicht hangauf- bzw. -abwärts, sondern stets quer zum Hang mähen.
- 5 **GEFAHR:** Hier nicht auftreten.
- 6 **GEFAHR:** Füße und Hände von rotierendem Messer fernhalten.
- 7 Gemäß Richtlinie 2000/14/EG, bestimmte Luftschalleistungspegel von 100 dB(A).

- 8 **GEFAHR:** Vor der Wartung des Geräts Zündkabel abziehen.
- 9 **GEFAHR:** Solange der Motor läuft, Schutzdeckel nicht öffnen oder entfernen.

Steuerung und Betrieb (Abb. 22)

- 1 Langsam
- 2 Schnell
- 3 Abschalten des Motors
- 4 Motor anlassen
- 5 Öl
- 6 Treibstoff
- 7 Vorwärts



F-050445L

Gemäß Richtlinie 98/37/EG bestimmte Schwingungswerte.

Schwingung gemäß EN 836/A2:2001: **6,95** m/s².

Werte bestimmt am Handgriff bei ortsfestem Betrieb des Geräts mit 3050 min⁻¹ auf einer Betonfläche.

Gemäß Richtlinie 2000/14/EG, bestimmte Luftschalleistungspegel von 100 dB(A).

Schalldruckpegel an der Betriebsposition des Benutzers **84** dB.

Werte bestimmt am Ohr gemäß den Spezifikationen von EN 836/A2:2001.

INFORMATIONEN FÜR DEN EIGENTÜMER

Machen Sie sich mit dem Produkt vertraut:

Durch eine gute Kenntnis des Geräts und seiner Funktion können Sie die besten Leistungen erzielen. Vergleichen Sie beim Lesen dieses Handbuchs die Abbildungen mit dem Gerät. Machen Sie sich mit den Positionen und Funktionen der Stellteile vertraut. Befolgen Sie zur Vermeidung von Unfällen Bedienungsanweisungen und Sicherheitsvorschriften. Bewahren Sie dieses Handbuch als Nachschlagewerk auf.



ACHTUNG: Beachten Sie dieses Symbol - es weist auf wichtige Sicherheitsmaßregeln hin. Es bedeutet: „Gefahr! Seien Sie aufmerksam! Ihre Sicherheit ist gefährdet.“

Verantwortung des Eigentümers



ACHTUNG: Diese Schneidmaschine ist in der Lage, Hände und Füße zu amputieren und Gegenstände auszuwerfen. Die Nichtbeachtung der folgenden Sicherheitsanweisungen kann zu schwerwiegenden Verletzungen oder zum Tode des Benutzers bzw. umstehender Personen führen.

Es ist die Verantwortung des Eigentümers, die nachfolgenden Anweisungen zu befolgen.

SICHERHEITSHINWEISE

Für handgeführte Sichelmäher

Schulung

1. Lesen Sie die Gebrauchsanweisung sorgfältig. Machen Sie sich mit den Stellteilen und dem richtigen Gebrauch der Maschine vertraut.
2. Erlauben Sie niemals Kindern und Personen, die mit diesen Anweisungen nicht vertraut sind, den Rasenmäher zu benutzen. Örtliche Bestimmungen können das Mindestalter des Benutzers festlegen.
3. Mähen Sie niemals, während Personen, besonders Kinder, oder Tiere in der Nähe sind.
4. Beachten Sie, daß der Benutzer für Unfälle und Gefährdung anderer Personen und ihres Eigentums verantwortlich ist.

Vorbereitende Maßnahmen

1. Während des Mähens sind immer festes Schuhwerk und lange Hosen zu tragen. Mähen Sie nicht barfußig oder in leichten Sandalen.
2. Überprüfen Sie das Gelände, auf dem die Maschine eingesetzt wird, und entfernen Sie alle Gegenstände, die erfaßt und weggeschleudert werden können.
3. **ACHTUNG - Benzin ist hochgradig entflammbar.**
 - a. Bewahren Sie Benzin nur in den dafür vorgesehenen Behältern auf.
 - b. Tanken Sie nur im Freien und rauchen Sie

während des Einfüllvorganges nicht.

- c. Benzin ist vor dem Starten des Motors einzufüllen. Bei laufendem Motor oder heißer Maschine darf weder der Tankverschluß geöffnet noch Benzin nachgefüllt werden.
 - d. Falls Benzin übergelaufen ist, darf kein Versuch unternommen werden, den Motor zu starten. Statt dessen ist die Maschine von der benzinverschmutzten Fläche zu entfernen. Jeglicher Zündversuch ist zu vermeiden, bis sich die Benzindämpfe verflüchtigt haben.
 - e. Alle Treibstofftanks und -behälter sind sicher zu verschließen.
4. Ersetzen Sie defekte Schalldämpfer.
 5. Vor dem Gebrauch ist immer durch Sichtkontrolle zu prüfen, ob Schneidwerkzeuge, Befestigungsbolzen und die gesamte Schneideinheit abgenutzt oder beschädigt sind. Zur Vermeidung einer Unwucht dürfen abgenutzte oder beschädigte Schneidwerkzeuge und Befestigungsbolzen nur satzweise ausgetauscht werden.
 6. Achten Sie darauf, daß bei Maschinen mit mehreren Schneidwerkzeugen die Bewegung eines Schneidwerkzeuges zu Drehungen der übrigen Schneidwerkzeuge führen kann.

Handhabung

1. Der Verbrennungsmotor darf nicht in geschlossenen Räumen laufen, in denen sich gefährliches Kohlenmonoxid sammeln kann.
2. Mähen Sie nur bei Tageslicht oder bei guter künstlicher Beleuchtung.
3. Wenn möglich, ist der Einsatz des Gerätes bei nassem Gras zu vermeiden.
4. Achten Sie immer auf einen guten Stand an Hängen.
5. Führen Sie die Maschine nur im Schrittempo.
6. Bei Maschinen mit Rädern gilt: Mähen Sie quer zum Hang, niemals auf- oder abwärts.
7. Seien Sie besonders vorsichtig, wenn Sie die Fahrtrichtung am Hang ändern.
8. Mähen Sie nicht an übermäßig steilen Hängen.
9. Seien Sie besonders vorsichtig, wenn Sie den Rasenmäher umkehren oder ihn zu sich heranziehen.
10. Halten Sie das (die) Schneidwerkzeug(e) an, wenn der Rasenmäher zum Transport über nicht mit Gras bewachsene Flächen angekippt werden muß; die gleiche Vorkehrung ist beim Transport zum und vom zu mähenden Bereich zu beachten.
11. Benutzen Sie den Rasenmäher niemals mit beschädigten Schutzeinrichtungen oder Schutzgittern oder ohne angebaute Sicherheitsvorrichtungen, z.B. Prallbleche und/oder Grasfangeinrichtungen.
12. Ändern Sie die Reglereinstellung des Motors nicht und überdrehen Sie ihn nicht.
13. Kuppeln Sie vor dem Anlassen des Motors alle Schneidwerkzeuge und Antriebe aus.
14. Starten oder betätigen Sie den Anlaßschalter mit Vorsicht, entsprechend den Herstelleranweisungen. Achten Sie auf

ausreichenden Abstand der Füße zu dem (den) Schneidwerkzeug(en).

15. Beim Starten oder Anlassen des Motors darf der Rasenmäher nicht gekippt werden, es sei denn, daß dies zum Anlassen des Mähers notwendig ist. Kippen Sie den Rasenmäher in diesem Fall nur so weit, wie es absolut erforderlich ist, und heben Sie nur die vom Benutzer abgewandte Seite hoch.
16. Starten Sie den Motor nicht, wenn Sie vor dem Auswurfkanal stehen.
17. Führen Sie niemals Hände oder Füße an oder unter sich drehende Teile. Halten Sie sich immer entfernt von der Auswurföffnung.
18. Heben oder tragen Sie niemals einen Rasenmäher mit laufendem Motor.
19. Stellen Sie den Motor ab und ziehen Sie den Kerzenstecker ab:
 1. bevor Sie Blockierungen lösen oder Verstopfungen im Auswurfkanal beseitigen;
 2. bevor Sie den Rasenmäher überprüfen, reinigen oder Arbeiten an ihm durchführen;
 3. wenn ein Fremdkörper getroffen wurde. Suchen Sie nach Beschädigungen am Rasenmäher und führen Sie die erforderlichen Reparaturen durch, bevor Sie erneut starten und mit dem Rasenmäher arbeiten;
 4. falls der Rasenmäher anfängt, ungewöhnlich stark zu vibrieren, ist eine sofortige Überprüfung erforderlich.
20. Stellen Sie den Motor ab,
 1. wenn Sie den Rasenmäher verlassen;
 2. bevor Sie nachtanken;
21. Beim Auslaufen des Motors ist die Drosselklappe zu schließen. Falls der Motor einen Benzinabsperrhahn besitzt, ist dieser nach dem Mähen zu schließen.
22. Wahren Sie besondere Sorgfalt, wenn Sie sich unübersichtlichen Ecken, Büschen, Bäumen oder anderen Objekten, die die Sicht einschränken können, nähern.

Wartung und Lagerung

1. Sorgen Sie dafür, daß alle Muttern, Bolzen und Schrauben fest angezogen sind und das Gerät in einem sicheren Arbeitszustand ist.
2. Bewahren Sie die Maschine niemals mit Benzin im Tank innerhalb eines Gebäudes auf, in dem möglicherweise Benzindämpfe mit offenem Feuer oder Funken in Berührung kommen könnten.
3. Lassen Sie den Motor abkühlen, bevor Sie die Maschine in geschlossenen Räumen abstellen.
4. Halten Sie zur Vermeidung von Brandgefahr den Motor, den Auspuff, den Batteriekasten und den Bereich um den Kraftstofftank frei von Gras, Blättern und übermäßigem Fett (Öl).
5. Prüfen Sie regelmäßig die Grasfangeinrichtung auf Verschleiß und Verlust der Funktionsfähigkeit.
6. Ersetzen Sie aus Sicherheitsgründen abgenutzte oder beschädigte Teile.
7. Falls der Kraftstofftank zu entleeren ist, sollte dies im Freien erfolgen.

MONTAGE

HINWEIS: Abbildungen und Symbole finden sich auf Seite 2ff.

Anweisungen zum Auspacken

Der Rasenmäher wurde im Werk komplett montiert. Beim Verpacken des Mähers in den Transportbehälter wurde der Handgriff in die Lagerungsposition gebracht. Zum Aufrichten des Handgriffs in die Betriebsposition die folgenden Schritte befolgen.

1. (Abb. 1) Den Mäher aus dem Transportbehälter entfernen.
2. Den **Unterteil (1) des Handgriffs** in die Betriebsposition bringen. Sicherstellen, daß sich der **Unterteil (1) des Handgriffs** zwischen den **Feststellungen (2)** befindet.
3. Den **Oberteil (3) des Handgriffs** in die Betriebsposition bringen. Die **Drehknöpfe (4)** anziehen.

VORSICHT: Beim Zusammenlegen bzw. Aufrichten des Handgriffs Vorsicht wahren. Eine Beschädigung der Kabel vermeiden. Verbogene Kabel funktionieren nicht ordnungsgemäß. Vor dem Einsatz des Gerätes verbogene bzw. beschädigte Kabel ersetzen.

4. (Abb. 7) Den **Motorabschalthebel (1)** einrücken.
5. (Abb. 2) Zum Anbringen des **Schnuranlassers (1)** an der **Schnurführung (2)** die Schnur durch die **Schnurführung (2)** winden, die an der rechten Seite des Handgriffs befestigt ist.

HINWEIS: Falls der Schnuranlasser nicht angebracht werden kann, weil die Schnur zu kurz ist, den **Motorabschalthebel** gegen den **Handgriff drücken**. Den **Schnuranlasser langsam herausziehen**.

Höheneinstellung des Handgriffs

(Abb. 3 und Abb. 4) Der Handgriffwinkel (1) weist zwei Montagepositionen auf: **HOCH (3)** und **NIEDRIG (4)**. In der Position **HOCH (3)** wird der Handgriff um etwa 10 cm (4 Zoll) angehoben.

1. (Abb. 1) Die **Flügelmuttern (6)** und Schrauben aus rechtem und linkem **Handgriffwinkel (2)** entfernen.
2. (Abb. 3) Um den Handgriff anzuheben, muß der **Unterteil (1) des Handgriffs** in der Position **HOCH (3)** montiert werden.
3. (Abb. 4) Um den Handgriff abzusenken, muß der **Unterteil (1) des Handgriffs** in der Position **NIEDRIG (4)** montiert werden.
4. (Abb. 1) Den **Unterteil (1) des Handgriffs** mit den Schrauben und **Flügelmuttern (6)** an den **Handgriffwinkeln (2)** befestigen.

Vorbereitung des Motors

Hinweis: Der Motor enthält weder ÖL noch BENZIN.



ACHTUNG: Die Anweisungen des Motorherstellers bezüglich der Art des zu verwendenden Treibstoffs und Öls sind zu befolgen. Stets Sicherheits-Treibstoffbehälter verwenden. Beim Auftanken des Geräts nicht rauchen. Nicht in umschlossenen Bereichen auftanken. Vor dem Tanken den Motor abschalten. Den Motor mehrere Minuten lang abkühlen lassen.

F-050445L

HINWEIS: Die tatsächliche konstante PS-Leistung ist auf Grund von Betriebsbeschränkungen und Umweltfaktoren wahrscheinlich niedriger.

In der Betriebsanleitung des Motorherstellers sind die Arten des zu verwendenden Triebstoffs und Öls aufgeführt. Lesen Sie vor Inbetriebnahme des Geräts die Informationen zu Sicherheit, Betrieb, Wartung und Lagerung.

Aus- und Einbau der Mulchhausrüstung



ACHTUNG: Vor Aus- bzw. Einbau der Mulchhausrüstung das Zündkabel von der Zündkerze abziehen.

Bei einigen Modellen wird die Mulchhausrüstung werkseitig installiert. Zur Umrüstung von Mulchhausrüstung auf Seitenauswurf das Mulchblech entfernen.

Ein Rasenmäher mit Seitenauswurf kann zu einem Mulchmäher umgerüstet werden; dazu ist die Mulchhausrüstung folgendermaßen zu installieren:

1. (Abb. 6) Das **Ablenkblech (1)** anheben.
2. Die **Zunge (3)** auf der Oberseite des **Mulchblechs (2)** auf der Innenseite des Mähergehäuses befestigen.
3. (Abb. 5) Die **Zunge (4)** auf der Unterseite des **Mulchblechs (2)** auf der Innenseite des Mähergehäuses befestigen.
4. Das **Ablenkblech (1)** absenken.

Tips für den Einsatz des Mulchers

Durch Mulchen wird das Gras so fein geschnitten, daß es zerfällt. Da die Nährstoffe wieder dem Boden zugeführt werden, benötigt der Rasen weniger Düngemittel. Für ein ordnungsgemäßes Mulchen sind die nachstehenden Tips zu befolgen.

- Das Gras muß trocken sein. Nasses Gras ist schwer zu mähen und kann zur Bildung schwere Grasklumpen führen.
- Das Gras darf nicht zu hoch sein. Die Höhe sollte für einen wirkungsvollen Schnitt 11 cm nicht überschreiten. Die Höheneinstellungen so regulieren, daß nur das obere Drittel des Grases geschnitten wird.
- Ist das Gras höher als 11 cm, muß es zweimal gemäht werden. Für den ersten Schnitt die Höheneinstellungen auf die höchste Position setzen. Die Höheneinstellungen für den zweiten Schnitt absenken.
- Das Messer scharf halten. Stumpfe Messer bewirken braune Grasspitzen.
- Die Unterseite des Mähergehäuses reinigen. Gras und andere Rückstände können die ordnungsgemäße Funktion des Mähers beeinträchtigen.

Bei unzureichender Schnittqualität sind die folgenden Schritte durchzuführen:

- Höheneinstellungen auf eine größere Schnitthöhe setzen.
- Das Gras häufiger mähen.
- Den Mäher mit einer geringeren Fahrtgeschwindigkeit betreiben.
- Die Mähswaden überlappen lassen und nicht bei jedem Durchgang die volle Schwadbreite mähen.
- Bereiche mit unzureichender Schnittqualität ein zweites Mal mähen.

BETRIEB

HINWEIS: Abbildungen und Symbole finden sich auf Seite 2ff.

Motorabschalthebel (Abb. 7)

Beim Freigeben des **Motorabschalthebels (1)** wird der Motor automatisch abgeschaltet. Zum Betrieb des Motors den **Motorabschalthebel (1)** in der **Betriebsposition (2)** halten.

Vor dem Anlassen des Motors den **Motorabschalthebel (1)** mehrmals betätigen. Sicherstellen, daß das Kabel frei beweglich ist.

Abschalten des Motors (Abb. 7)

Zum Abschalten des Motors den **Motorabschalthebel (1)** freigeben. Das Zündkabel von der Zündkerze abziehen, um ein versehentliches Starten des Motors zu verhindern.

Falls der Motor sich nicht abschalten läßt, einen Schraubendreher gegen die Zündkerze sowie gegen die Kühlrippen des Motors halten. Dadurch wird der Zündfunke zur Masse abgeleitet, und der Motor hält an. Vor dem Anlassen des Motors das Motorabschalthebel überprüfen. Sicherstellen, daß das Motorabschalthebel ordnungsgemäß montiert ist. Ein verbogenes bzw. beschädigtes Motorabschalthebel vor dem Einsatz des Gerätes auswechseln.

Vorderradantriebssystem (Abb. 8)

Der Rasenmäher verfügt über ein Vorderradantriebssystem. Das Antriebssystem folgendermaßen bedienen:

1. Den **Motorabschalthebel (1)** in der **BE-TRIEB**position halten
 2. Den **Antriebshebel (2)** vollständig nach vorn drücken. Den **Antriebshebel (2)** freigeben, wenn er klickt. Das Antriebssystem ist jetzt eingekuppelt.
- HINWEIS:** Zum Abschalten des Motors den **Motorabschalthebel freigeben**.
3. Um das Antriebssystem auszukuppeln und den Motor auszuschalten, den **Motorabschalthebel (1)** vollständig freigeben.
 4. Um nur das Antriebssystem auszukuppeln, den **Motorabschalthebel (1)** etwa 5 cm (2 Zoll) kommen lassen. Das Antriebssystem wird ausgekuppelt, aber der Motor läuft weiter.



ACHTUNG: Um einen sicheren Betrieb zu gewährleisten, muß das Antriebssystem bei der Freigabe des Antriebshebels sofort auskuppeln. Falls das Antriebssystem nicht ordnungsgemäß auskuppelt, ist der Mäher so lange nicht einzusetzen, bis das Antriebssystem durch ein autorisiertes Kundendienstzentrum eingestellt bzw. repariert wurde.

Anlassen des Motors (Abb. 9 und 10)



ACHTUNG: Bei laufendem Motor rotiert das Messer.

1. Den Ölstand überprüfen.
2. Den Treibstofftank mit unverbleitem Normalbenzin füllen. Siehe „Vorbereiten des Motors“.
3. Sicherstellen, daß das Zündkabel an die Zündkerze angeschlossen ist.
4. Sicherstellen, daß sich der Antriebshebel in der Position **DISENGAGED** (Ausgekuppelt) befindet.
5. (Abb. 9) Der **Initialzündknopf (1)** befindet sich auf der Seite des Motors. Den **Initialzündknopf (1)** fünfmal drücken. Nach jedem Drücken des **Initialzündknopfs (1)** zwei Sekunden lang warten.

HINWEIS: Den Initialzündungsknopf nicht zum Anlassen eines warmen Motors einsetzen.

6. (Abb. 10) Hinter dem Mäher stehen. Den **Motorabschalthebel (1)** wie dargestellt mit einer Hand in der Betriebsposition halten. Mit der anderen Hand den **Schnuranlasser (2)** halten.
7. Den **Schnuranlasser (2)** schnell herausziehen. Anschließend den **Schnuranlasser (2)** langsam zurückführen.
8. Falls der Motor nach 5 bis 6 Versuchen nicht angesprungen ist, die Anweisungen im Abschnitt „Störungsbehebung“ einsehen.

WARTUNG

HINWEIS: Abbildungen und Symbole finden sich auf Seite 2ff.

Motorwartung

Bedienen Sie sich der Hinweise in diesem Abschnitt, um Ihr Gerät in einem guten Betriebszustand zu halten. Alle Wartungsinformationen für den Motor finden sich in der Betriebsanleitung für den Motor. Lesen Sie dieses Buch vor dem Anlassen des Motors.



ACHTUNG: Vor der Durchführung von Inspektions-, Einstellungs- oder Reparaturarbeiten (außer Vergasereinstellungen) das Zündkabel von der Zündkerze abziehen.

Kipprichtung des Motors (Abbildung 20)

Beim Warten des Motors, Untersuchen des Messers oder Säubern der Unterseite des Mähergehäuses den Motor stets mit dem Zündkabel nach oben kippen. Wird der Motor mit dem Zündkabel nach unten transportiert bzw. gekippt, führt dies zu:

- Schwierigkeiten beim Anlassen.
- Rauchen des Motors.
- Verschmutzung des Zündkabels.
- Öl- oder Gassättigung des Luftfilters.

Schmierung

1. Zur Erzielung der bestmöglichen Leistung die Räder und alle Gelenkpunkte alle 25 Stunden mit Motoröl schmieren.
2. Anweisungen zum Schmieren des Motors finden sich in der Betriebsanleitung für den Motor.

HINWEIS: Das Motorabschaltkabel darf nicht geschmiert werden. Schmiermittel würden das Kabel beschädigen und seine freie Beweglichkeit einschränken. Ein verbogenes bzw. beschädigtes Motorabschaltkabel ist zu ersetzen.

Reinigen des Mähergehäuses



ACHTUNG: Bei laufendem Motor dreht sich das Messer. Vor dem Reinigen des Mähergehäuses den Motor abschalten und das Zündkabel von der Zündkerze abziehen.

Gras und andere Rückstände können eine ordnungsgemäße Funktion des Mähers beeinträchtigen. Nach dem Mähen das Mähergehäuse folgendermaßen reinigen:

1. Den Motor abschalten.
2. Das Zündkabel von der Zündkerze abziehen.

F-050445L

3. Ober- und Unterseite des Mähergehäuses reinigen.

Einstellen der Schnitthöhe (Abb. 11)



ACHTUNG: Bei laufendem Motor dreht sich das Messer. Vor dem Einstellen der Schnitthöhe das Zündkabel von der Zündkerze abziehen.

Zur Veränderung der Schnitthöhe die Position des **Einstellarms (1)** an jedem Rad verstellen. Sicherstellen, daß alle **Einstellarme (1)** sich in der gleichen Position befinden, um einen gleichmäßigen Schnitt des Mähers zu gewährleisten.

1. Den **Einstellarm (1)** lösen.
2. Den **Einstellarm (1)** in eine andere Position bringen.

Ausbauen des Antriebsriemens

Zum Ausbauen des Antriebsriemens die folgenden Schritte durchführen.



ACHTUNG: Vor dem Ausbau des Antriebsriemens das Zündkabel von der Zündkerze abziehen.

1. (Abb. 13) Die **Riemenabdeckung (1)** abnehmen.
2. (Abb. 14) Die **Riemenspannungsschraube (2)** lösen.
3. Die Vorderseite des **Antriebsriemens (3)** von der **Führungsrolle (4)** entfernen.
4. (Abb. 15) Zum Entfernen der Rückseite des **Antriebsriemens (3)**, den **Antriebsriemen (3)** über das Ende der **Klinge (4)** gleiten lassen.

HINWEIS: Den Antriebsriemen nur gegen ein Originalersatzteil auswechseln.

5. Soll der **Antriebsriemen (3)** zusammengebaut werden, gehen Sie in umgekehrter Reihenfolge vor.
6. (Abb. 16) Die Riemenspannung einstellen.
 - a. Die **Stellmutter (5)** festziehen, bis sie das **Abstandsstück (6)** berührt. Versuchen, das **Abstandsstück (6)** zu drehen. Wenn die **Stellmutter (5)** das **Abstandsstück (6)** berührt, lässt sich das **Abstandsstück (6)** nicht drehen.
 - b. Dann die **Stellmutter (5)** gerade so weit lösen, dass sich das **Abstandsstück (6)** drehen lässt. Die Spannung auf dem **Antriebsriemen (3)** ist jetzt korrekt.

7. (Abb. 13) Das **Riemengehäuse (1)** installieren.

8. Vor dem Mähen sicherstellen, daß sich das Antriebssystem ordnungsgemäß auskuppeln läßt und daß der Motor abgeschaltet werden kann. Falls das Antriebssystem nicht auskuppelt werden kann, den Mäher vor dem nächsten Einsatz zu einem autorisierten Kundendienstzentrum bringen.

Einstellen des Antriebskabels (Abb. 12)



ACHTUNG: Vor Einstellen des Antriebskabels, den Motorabschalthebel lösen und warten, bis der Motor abschaltet.

Wenn das Antriebssystem nicht ordnungsgemäß ein- oder ausgekuppelt werden kann, den Handgriff auf korrektes Zusammenbauen überprüfen. Sicherstellen, dass sich alle Teile in gutem Zustand befinden, nicht gebrochen bzw.

verbogen sind, und dass alle Befestigungsteile festgezogen sind.

Abgenutzte Teile und Kabeldehnung beeinträchtigen die Leistung des Antriebssystems. Wenn in hohem oder dichtem Gras oder an Hügeln gemäht wird, verrutscht das Antriebssystem unter Umständen. In diesem Fall wie folgt einstellen bzw. den Mäher zu einem autorisierten Kundendienstzentrum bringen.

WICHTIG: Vor Starten des Motors, den Motorabschalthebel mehrmals betätigen. Sicherstellen, dass das Motorabschaltkabel frei beweglich ist.

HINWEIS: Der Motordesign enthält keine Drosselklappe bzw. Motorgeschwindigkeitseinstellung. Der Motor ist auf die am besten geeignete Geschwindigkeit für Rasenmähen, Grassauffang und für die längste Lebensdauer des Motors eingestellt.

1. Wenn das Antriebssystem verrutscht, die **Kabeljustierung (1)** ein Mal in die in der Abbildung gezeigte Richtung drehen. Das Antriebssystem testen und prüfen, ob es verrutscht.
2. Wenn das Antriebssystem immer noch verrutscht, die **Kabeljustierung (1)** noch ein Mal drehen, um das Kabel zu kürzen. Das Antriebssystem erneut testen.
3. Die Einstellung wiederholen, bis das Antriebssystem nicht mehr verrutscht.
4. Vor dem Mähen sicherstellen, dass sich das Antriebssystem korrekt auskuppeln lässt und dass der Mäher stoppt. Wenn sich das Antriebssystem nicht auskuppeln lässt, den Mäher vor Inbetriebnahme zu einem autorisierten Kundendienstzentrum bringen.

Ersatz des Mulchmessers

Mulchmäher sind mit einem speziellen Mulchmesser ausgerüstet. Falls dieses abgenutzt oder beschädigt ist, muß es gegen ein Originalersatzteil ausgewechselt werden. Ein reguläres Messer schneidet nicht richtig und kann Unfälle verursachen.

Pflege des Messers



ACHTUNG: Vor der Inspektion des Messers bzw. des Messeradapters das Zündkabel von der Zündkerze abziehen. Falls das Messer auf einen Gegenstand schlägt, den Motor abschalten. Das Zündkabel von der Zündkerze abziehen. Das Gerät auf Schäden untersuchen.

Das Messer häufig auf Zeichen von Abnutzung bzw. Beschädigung, wie z.B. Risse, untersuchen. Die Schraube, die das Messer hält, häufig inspizieren. Sicherstellen, daß die Schraube festsitzt. Falls das Messer auf einen Gegenstand schlägt, den Motor abschalten. Das Zündkabel von der Zündkerze abziehen. Den Messeradapter auf Beschädigungen untersuchen. Auf ein verbogenes, beschädigtes bzw. stark abgenutztes Messer und andere Schäden achten. Vor dem Einsatz des Gerätes müssen beschädigte Teile gegen Originalersatzteile ausgewechselt werden. Aus Sicherheitsgründen ist das Messer alle zwei Jahre auszuwechseln. Das Messer ist scharf zu halten. Ein stumpfes Messer bewirkt braune Grasspitzen. Das Messer folgendermaßen ausbauen.

Ausbauen des Messers (Abb. 17 und 18)



ACHTUNG: Vor dem Ausbau des Messers das Zündkabel von der Zündkerze abziehen. Das Messer besitzt scharfe Kanten. Hände beim Halten des Messers mit Handschuhen oder Stoff schützen.

1. Den Treibstofftank entleeren.
2. Die Seite des Mähers anheben, an der sich der Schalldämpfer bzw. die Zündkerze befindet.
3. Durch ein Stück Holz eine Rotation des Messers verhindern.
4. Die **Schraube (1)** entfernen, die das **Messer (2)** hält.
5. Das Messer entsprechend den Anweisungen im Abschnitt „Pflege des Messer“ untersuchen. Stark abgenutzte bzw. beschädigte Messer sind gegen Originalersatzteile auszuwechseln.
6. Das Messer so einbauen, daß die gekrümmte Kante gegen das Gehäuse weist. Bei umgekehrter Montage schneidet das Messer nicht richtig und kann Unfälle verursachen.
7. Das **Messer (2)** mit den **Original-Unterlegscheiben (3 und 4)** und **-schrauben (1)** befestigen. Sicherstellen, daß die Außenkanten der **Belleville-Unterlegscheiben (4)** auf das **Messer (2)** weisen.
8. Die **Schraube (1)**, die das **Messer (2)** hält, auf ein Anziehdrehmoment von 40,5 Nm anziehen.



ACHTUNG: Die Schraube (1), die das Messer (2) hält, stets fest angezogen halten. Durch eine lose Schraube (1) bzw. ein loses Messer (2) können Unfälle verursacht werden.

Überprüfen des Schnittniveaus

Das Gerät auf einer kleinen Fläche testen. Falls die Schnitthöhe nicht gleichmäßig ist oder das Gras nicht ausgeworfen wird, können folgende Ursachen vorliegen: (1) das Messer ist verbogen bzw. beschädigt, (2) das Messer ist stumpf, (3) das Messer ist abgenutzt, (4) der Messeradapter ist gebrochen. Vor dem erneuten Einsatz des Gerätes das Problem beheben.

Lagerungsposition des klappbaren Handgriffs (Abb. 19 und 1)

VORSICHT: Beim Zusammenklappen bzw. Aufrichten des Handgriffs Vorsicht wahren. Eine Beschädigung der Kabel vermeiden. Verbogene Kabel funktionieren nicht ordnungsgemäß. Vor dem Einsatz des Gerätes verbogene bzw. beschädigte Kabel ersetzen.

Zusammenklappen des Handgriffs

1. (**Abb. 19**) Die Befestigungsteile lösen, durch die der Oberteil des Handgriffs mit dem Unterteil des Handgriffs verbunden wird. Beim Zusammenlegen des Handgriffs sicherstellen, daß die Kabel sich nicht um die gelösten Befestigungsteile legen oder beschädigt werden. Den Oberteil des Handgriffs zur Rückseite des Gerätes umlegen.
2. (**Abb. 1**) Die Knöpfe am **Unterteil (1) des Handgriffs** lösen. Die Enden des **Unterteils (1) des Handgriffs** zusammendrücken. Die Enden des **Unterteils (1) des Handgriffs** an den **Feststellungen (2)** vorbeischieben.

F-050445L

3. Den Handgriff nach vorn über den Motor umlegen. Sicherstellen, daß die Kabel nicht beschädigt werden.

Aufrichten des Handgriffs

1. Den Handgriff nach hinten ziehen, bis die Enden des **Unterteils (1) des Handgriffs** in der vorgesehenen Position einrasten.
2. Den Oberteil des Handgriffs in die Betriebsposition aufrichten. Die Befestigungsteile, die den Handgriff halten, anziehen.

Vorbereitung des Mähers auf die Lagerung



ACHTUNG: Benzin nicht innerhalb eines Gebäudes, in der Nähe eines Feuers oder während des Rauchens ablaufen lassen. Benzindämpfe können Explosionen bzw. Feuer verursachen.

1. Den Treibstofftank entleeren.
2. Den Motor laufen lassen, bis alles restliche Benzin verbraucht ist.
3. Das Öl aus dem warmen Motor ablaufen lassen. Das Kurbelgehäuse des Motors mit frischem Öl füllen.
4. Die Zündkerze aus dem Zylinder entfernen. Eine Unze Öl in den Zylinder einfüllen. Den Schnuranlasser langsam herausziehen, um einen Schutz des Zylinders durch das Öl zu erzielen. Eine neue Zündkerze im Zylinder installieren.
5. Schmutz und Rückstände von den Kühlrippen des Zylinders und vom Motorgehäuse entfernen.
6. Die Unterseite des Mähergehäuses reinigen.
7. Zum Schutz des Lacks den Mäher vollständig reinigen.
8. Das Gerät in einem gut durchlüfteten Gebäude lagern.

Bestellen von Ersatzteilen

Eine Übersicht der Ersatzteile findet sich entweder auf den letzten Seiten dieser Betriebsanleitung oder in einer gesonderten Teilleiste.

Setzen Sie ausschließlich vom Hersteller zugelassene Ersatzteile ein. Der Buchstabe am Ende der Teilenummer bezeichnet die Ausfertigung des betreffenden Ersatzteils; C steht für Chrom, Z für Zink und PA für Zugekaufte Baugruppe. Diese Informationen müssen bei der Bestellung von Ersatzteilen unbedingt angegeben werden. Setzen Sie keine Zubehörteile ein, die nicht ausdrücklich für dieses Gerät empfohlen wurden. Zum Bezug der richtigen Ersatzteile muß die Modellnummer des Rasenmähers angegeben werden (siehe Typenschild).

Ersatzteile, mit Ausnahme von Motor, Getriebe, Hinterachsen mit Kardanwellen und Differentialgetrieben, können im Geschäft, in dem Sie Ihren Mäher gekauft haben, oder in einer von diesem Geschäft empfohlenen Werkstatt erworben werden.

Falls es Ihnen unmöglich ist, Ersatzteile bzw. Kundendienstleistungen in der oben beschriebenen Form zu beziehen, wenden Sie sich bitte an:

HAYTER LIMITED,
Service Department,
Spellbrook,
Bishop's Stortford,
Hertfordshire. CM23 4BU.

MURRAY, INC.

International Sales
P.O. Box 268
Brentwood, Tennessee USA 37024
1-800-251-8007
Fax (615) 373-6633

Ersatzteile für Motor, Hinterachse mit Kardanwelle und Getriebe können bei den autorisierten Kundendienstzentren der entsprechenden Hersteller erworben werden; diese finden sich im Branchenverzeichnis Ihres Telefonbuchs. Weitere Informationen zur Bestellung von Ersatzteilen finden sich in den einzelnen Garantieerklärungen für Motor und Getriebe.

Bei der Bestellung sind die folgenden Informationen anzugeben:

- (1) Modellnummer
- (2) Seriennummer
- (3) Teilenummer
- (4) Menge

STÖRUNGSBEHEBUNG

Der Motor springt nicht an.

1. Sicherstellen, daß der Motor mit sauberem Benzin gefüllt ist. Kein altes Benzin verwenden.
2. Bei kaltem Motor den Initialzündknopf (wahlfrei bei einigen Modellen) fünfmal drücken.
3. Sicherstellen, daß das Zündkabel an die Zündkerze angeschlossen ist.
4. Den Vergaser einstellen. Siehe Betriebsanleitung für den Motor.
5. Der Motorzylinder enthält zu viel Benzin. Zündkerze entfernen und trocknen. Den Schnuranlasser mehrmals herausziehen. Die Zündkerze wieder einsetzen. Das Zündkabel an die Zündkerze anschließen. Den Motor anlassen.
6. In dichtem bzw. hohem Gras läßt sich der Motor nur schwer starten. Den Mäher auf eine saubere, trockene Oberfläche bringen.
7. Sicherstellen, daß sich der Motorabschalthebel in der Betriebsposition befindet.
8. Sicherstellen, daß sich der Absperrhahn in der Position ON (Ein) befindet. Siehe Betriebsanleitung für den Motor.

Der Motor läßt sich nicht abschalten.

1. Den Motorabschalthebel freigeben.
2. Das Motorabschaltkabel überprüfen. Das Kabel ersetzen, falls es verbogen bzw. beschädigt ist.

Die Motorleistung ist schlecht.

1. Die Schnitthöheneinstellung überprüfen. Bei hohem Gras die Schnitthöhe heraufsetzen.
2. Die Unterseite des Messergehäuses untersuchen. Gras und andere Rückstände vom Messergehäuse entfernen.
3. Das Zündkabel überprüfen. Sicherstellen, daß das Kabel an die Zündkerze angeschlossen ist.
4. Die Kühlrippen des Motors von Gras und anderen Rückständen säubern.
5. Die Vergasereinstellung überprüfen. Siehe Betriebsanleitung für den Motor.
6. Den Elektrodend Abstand der Zündkerze überprüfen. Den Abstand auf 0,762 mm (0,030 Zoll) einstellen.
7. Den Ölstand im Motor überprüfen. Bei Bedarf Öl nachfüllen.
8. Den Luftfilter des Motors untersuchen. Siehe Betriebsanleitung für den Motor.

- Das eingesetzte Benzin ist von schlechter Qualität. Den Treibstofftank entleeren und reinigen. Den Treibstofftank mit sauberem Benzin füllen.

Übermäßige Vibrationen

- Das Messer ausbauen. Das Messer untersuchen und bei Bedarf auswuchten. Siehe Anweisungen zur Messerwartung.
- Überprüfen, ob das Messer verbogen bzw. beschädigt ist. EIN BESCHÄDIGTES MESSER IST EINE GEFAHRENQUELLE UND MUSS ERSETZT WERDEN.
- Den Messeradapter überprüfen. EIN GEBROCHENER MESSERADAPTER MUSS ERSETZT WERDEN.

- Falls die Vibrationen weiterbestehen, den Mäher zu einem autorisierten Kundendienstzentrum bringen.

Das Gras wird nicht ordnungsgemäß ausgeworfen.

- Die Unterseite des Mähergehäuses reinigen.
- Das Messer auf schwere Abnutzungserscheinungen untersuchen. Das Messer ausbauen und schleifen. Aus Sicherheitsgründen das Messer alle zwei Jahre gegen eine Originalersatzteil austauschen.

Das Gras wird nicht gleichmäßig geschnitten.

- Die Höheneinstellung an jedem Rad überprüfen. Die Höheneinstellung muß für alle Räder gleich sein.
- Sicherstellen, daß das Messer scharf ist.
- Überprüfen, ob das Messer verbogen bzw. gebrochen ist. EIN BESCHÄDIGTES MESSER IST EINE GEFAHRENQUELLE UND MUSS ERSETZT WERDEN.
- Den Messeradapter überprüfen. EIN GEBROCHENER MESSERADAPTER MUSS ERSETZT WERDEN.

INDICE

SIMBOLI INTERNAZIONALI	21
INFORMAZIONI PER IL PROPRIETARIO	22
PROCEDURE PER UN USO SICURO	22
MONTAGGIO	23
USO	23
MANUTENZIONE	24
SOLUZIONE DI PROBLEMI	25

MURRAY, INC.

GARANZIA LIMITATA DI DUE ANNI

Murray, Inc. garantisce all'acquirente originale che questa unità sarà libera da difetti in materiali e lavorazione in condizioni d'uso e manutenzione normali per un periodo di **due (2) anni** dalla data d'acquisto; tuttavia, questa garanzia non copre motori, accessori (come spartineve a turbina, lame da neve, insaccatrici di erba e aratri), trasmissioni, batterie e parti soggette a normale usura (tranne per quanto segue) o gruppi cambio differenziale posteriore in quanto le aziende che fabbricano queste parti forniscono le proprie garanzie e manutenzione attraverso le sedi autorizzate. Per ulteriori informazioni, vedere le garanzie che coprono queste particolari parti. Se non si è sicuri se l'unità contiene o è dotata di una o più di queste parti, consultare il rivenditore prima dell'acquisto. Secondo questi termini e condizioni indicati in questa garanzia limitata ripareremo o sostituiremo, a nostro giudizio, senza alcun addebito per l'originale acquirente qualsiasi parte coperta da questa

garanzia limitata durante il periodo applicabile. Se la batteria risulta difettosa entro novanta (90) giorni dalla data di acquisto, la sostituiremo gratuitamente. Se la batteria risulta difettosa dopo (90) giorni ma entro centoventi (120) giorni dalla data di acquisto, la sostituiremo con un addebito di metà (1/2) del prezzo della batteria al momento del rinvio.

Si definiscono parti soggette a normale usura: cinghie, lame, adattatori di lama, pneumatici, fari e copri sedili. Queste parti sono garantite prive di difetti in materiali e lavorazione al momento della consegna con il prodotto. Qualsiasi richiesta di riparazione o sostituzione delle parti soggette a normale usura deve essere inoltrata entro trenta (30) giorni dalla data di acquisto. Nessuna richiesta originata da danni causati da uso non conforme alle istruzioni, o maltrattamento del materiale sarà onorata.

Questa **garanzia limitata di due (2) anni della Murray, Inc.** è l'unico rimedio dell'acquirente; tuttavia, questa garanzia è nulla o non applicabile a unità che siano state manomesse, modificate, usate non conformemente alle istruzioni, maltrattate o usate per noleggi o altri usi commerciali e/o professionali (non residenziali). La garanzia non copre minori regolazioni meccaniche non dovute a difetti in materiali o lavorazione. Per assistenza nell'effettuare questo tipo di regolazione, consultare il libretto di istruzioni. Per inoltrare una richiesta secondo questa **garanzia limitata di due (2) anni della Murray, Inc.**, rinviare l'unità (oppure, dietro previa autorizzazione, la parte difettosa) insieme ad una prova di acquisto ad un centro di assistenza tecnica autorizzato. Per individuare il centro di

assistenza tecnica autorizzato più vicino, chiamare il distributore parti centrale della zona indicato nell'elenco fornito con l'unità, o controllare le pagine gialle dell'elenco telefonico locale. Se si rinvia l'intera unità, ripareremo l'unità. Se autorizziamo il rinvio della parte difettosa solamente, sostituiremo o ripareremo la parte. In caso di un difetto nella trasmissione o nel differenziale (distinto dal gruppo cambio differenziale posteriore), si deve rinviare l'intera trasmissione o differenziale poiché essi non includono parti sostituibili dall'utente.

Questa **garanzia limitata di due (2) anni della Murray, Inc.**, dà all'acquirente diritti legali specifici, ma possono esservene altri a seconda del luogo di residenza. **Questa garanzia limitata è a sostituzione di tutte le altre garanzie espresse e implicite fra cui la garanzia implicita di commerciabilità e la garanzia di idoneità per un uso particolare.** Per ulteriori informazioni su questa garanzia scritta o su come ottenere assistenza, scrivere al seguente indirizzo:

HAYTER LIMITED,
Service Department,
Spellbrook,
Bishop's Stortford,
Hertfordshire. CM23 4BU.

MURRAY, INC.
International Sales
P.O. Box 268
Brentwood, Tennessee USA 37024
1-800-251-8007
Fax (615) 373-6633

SIMBOLI INTERNAZIONALI

IMPORTANTE: i seguenti simboli si trovano sull'unità o sulla documentazione che corre da il prodotto. Prima di usare l'unità apprendere e capire lo scopo di ogni simbolo.

NOTA: le illustrazioni e i simboli iniziano a pagina 2.

Simboli di sicurezza (Figura 21)

- 1 Attenzione
- 2 **IMPORTANTE:** leggere il manuale d'uso

prima di usare questa macchina.


- 3 **ATTENZIONE:** oggetti lanciati. Tenere alla larga i presenti. Leggere le istruzioni d'uso prima di usare questa macchina.
- 4 Su pendenze non tagliare l'erba in senso longitudinale. Tagliarla in senso trasversale.
- 5 **PERICOLO:** senza gradino.
- 6 **PERICOLO:** tenere lontano mani e piedi dalle lame in movimento.
- 7 Il livello dichiarato di rumore nell'aria di 100 dB(A) sono in conformità con la direttiva 2000/14/CE.
- 8 **PERICOLO:** scollegare il filo della candela

di accensione prima di eseguire la manutenzione dell'unità.

- 9 **PERICOLO:** Non aprire o rimuovere le coperture di protezione con il motore acceso.

Simboli dei comandi e d'uso (Figura 22)

- 1 Lento
- 2 Veloce
- 3 Arresto del motore
- 4 Avviamento motore
- 5 Olio
- 6 Combustibile
- 7 In avanti



MODEL NO.: 226111x52B


SKU No.:

YYYY MM DD: _____

SERIAL NO.:

3050 min-1

32 kg



Manufactured in Lawrenceburg, TN 38464, U.S.A.

Valori dichiarati di emissione di vibrazioni in conformità con la direttiva 98/37/CE. Emissione di vibrazioni: in conformità con la normativa EN 836/A2:2001: 6,95 m/s². Valori determinati con l'operatore nella posizione d'uso e la macchina in funzione, stazionaria su una superficie di cemento a 3050 min-1.

Il livello dichiarato di rumore nell'aria di 100 dB(A) sono in conformità con la direttiva 2000/14/CE.

Livelli di pressione acustica alla posizione dell'operatore 84 dB. Valori determinati alle orecchie dell'operatore secondo le specifiche della norma EN 836/A2:2001.

INFORMAZIONI PER IL PROPRIETARIO

Conoscere il prodotto: se si capisce l'unità e si sa come essa funziona, si potrà ottenere il migliore rendimento. Leggendo questo manuale confrontare le illustrazioni con l'unità. Imparare l'ubicazione e la funzione dei comandi. Per prevenire incidenti, seguire le istruzioni d'uso e le norme di sicurezza. Conservare questo manuale per riferimento futuro.



ATTENZIONE: questo simbolo indica importanti precauzioni di sicurezza. Questo simbolo indica: "Attenzione! All'erta! Pericolo."

Responsabilità del proprietario



ATTENZIONE: questo tagliaerba è in grado di amputare mani e piedi e catapultare oggetti. La mancata osservanza delle istruzioni di sicurezza, può causare gravi lesioni o decesso dell'operatore o di chi si trova in prossimità della macchina.

Il proprietario ha la responsabilità di seguire le istruzioni indicate qui sotto.

PROCEDURE PER UN USO SICURO

Tagliaerba a rotazione comandato da terra

Addestramento

1. Leggere attentamente le istruzioni. Conoscere i comandi e l'uso corretto della macchina.
2. Non permettere mai che bambini o persone che non conoscono queste istruzioni usino il tagliaerba. Norme legali possono imporre un limite d'età per l'uso della macchina.
3. Non tagliare mai l'erba quando vi sono in prossimità persone, specialmente bambini, o animali.
4. Ricordarsi che l'operatore o utente è responsabile per incidenti o situazioni che mettano a pericolo altra gente o proprietà altrui.

Preparazione

1. Durante l'uso, indossare sempre scarpe robuste e calzoni lunghi. Non usare la macchina a piedi nudi o con sandali aperti.
2. Controllare bene la zona dove si intende usare la macchina e togliere tutti gli oggetti che possono essere catapultati dalla macchina.
3. **ATTENZIONE - la benzina è altamente infiammabile.**
 - a. Conservare la benzina in contenitori appositi.

- b. Aggiungere benzina all'aperto solamente e non fumare.
 - c. Aggiungere benzina prima di avviare il motore. Non togliere mai il coperchio del serbatoio o aggiungere benzina con il motore in funzione o quando è ancora caldo.
 - d. Se si versa della benzina, non tentare di avviare il motore, ma spostare la macchina lontano dalla zona dove è stata versata la benzina per evitare di provocare un incendio fino a quando i vapori di benzina non si siano dissipati.
 - e. Rimettere tutti i coperchi dei serbatoi e del contenitore saldamente.
4. Sostituire i silenziatori di scarico difettosi.
 5. Prima dell'uso controllare sempre che le lame, i bulloni delle lame e i gruppi di trancia non siano consumati o danneggiati. Sostituire le lame e i bulloni consumati o danneggiati in gruppo per preservare l'equilibrio.
 6. Fare particolare attenzione su macchine a più lame in quanto una lama in rotazione può causare la rotazione delle altre lame.

Uso

1. Non usare il motore al chiuso dove potrebbero raccogliersi pericolosi vapori di ossido di carbonio.
2. Tagliare l'erba solamente di giorno o con una buona illuminazione artificiale.
3. Evitare di usare la macchina su erba bagnata, se possibile.
4. Su pendenze fare sempre attenzione a dove si mettono i piedi.
5. Camminare, non correre.
6. Per macchine a ruote, tagliare l'erba in senso trasversale, non longitudinale, su pendenze.
7. Fare molta attenzione nel cambiare direzione su pendenze.
8. Non tagliare l'erba su pendenze troppo ripide.
9. Fare molta attenzione quando si va all'indietro o si tira il tagliaerba verso di sé.
10. Fermare la lama (o lame) se il tagliaerba deve essere inclinato per il trasporto attraverso superfici non erbose e quando si trasporta il tagliaerba a e dalla zona d'utilizzo.
11. Non usare mai il tagliaerba con protezioni o schermature difettose, o senza i dispositivi di sicurezza (ad esempio deflettori e/o raccogliherba).
12. Non cambiare le impostazioni del regolatore del motore o accelerare a velocità eccessive.
13. Disinnestare l'innesto della lama e la frizione prima di avviare il motore.
14. Avviare il motore con prudenza seguendo le istruzioni e mantenendo i piedi lontano dalla lama (o lame).

15. Non inclinare il tagliaerba quando si avvia il motore, tranne se esso deve essere inclinato per essere messo in moto. In questo caso, non inclinarlo più di quanto sia strettamente necessario e sollevare solamente la parte lontano dall'operatore.
16. Non avviare il motore se si è di fronte allo scivolo di scarico.
17. Non mettere mani o piedi vicino o sotto a parti che girano. Mantenersi lontano dall'apertura di scarico.
18. Non sollevare e trasportare un tagliaerba in moto.
19. Fermare il motore e staccare il filo della candela di accensione.
 1. Prima di eliminare ostruzioni dallo scivolo;
 2. prima di controllare, pulire o effettuare la manutenzione del tagliaerba;
 3. dopo aver colpito un oggetto. Controllare che il tagliaerba non sia danneggiato ed effettuare le riparazioni prima di riavviare il tagliaerba per l'uso;
 4. se il tagliaerba comincia a vibrare in modo anormale (controllare immediatamente).
20. Spegnerne il motore
 1. ogni volta che ci si allontana dal tagliaerba;
 2. prima di aggiungere benzina;
21. Ridurre l'apertura della valvola a farfalla durante la corsa massima e, se il motore ha una valvola di arresto, arrestare il combustibile quando si finisce di tagliare l'erba.
22. Fare particolare attenzione quando ci si avvicina ad angoli ciechi, cespugli, alberi o altri oggetti che possono limitare la visuale.

Manutenzione e conservazione

1. Mantenere ben serrati tutti i bulloni, i dadi e le viti per assicurarsi che la macchina sia in condizione di funzionare in tutta sicurezza.
2. Non conservare mai la macchina con benzina nel serbatoio dentro un edificio dove i vapori possano raggiungere una fiamma non protetta o una scintilla.
3. Lasciare raffreddare il motore prima di conservare la macchina al chiuso.
4. Per ridurre il pericolo di incendi, pulire il motore, il silenziatore di scarico, lo scomparto della batteria e il serbatoio di benzina da erba, foglie o grasso eccessivo.
5. Controllare il raccogliherba frequentemente per verificare che non sia consumato o deteriorato.
6. Sostituire parti consumate o danneggiate per motivi di sicurezza.
7. Se si deve svuotare il serbatoio, farlo all'aperto.

MONTAGGIO

NOTA: le illustrazioni e i simboli iniziano da pagina 2.

Istruzioni per il disimballaggio

Il tagliaerba è stato completamente montato in fabbrica. È stato messo nella scatola con l'impugnatura in posizione di immagazzinaggio. Per mettere l'impugnatura in posizione di utilizzo, seguire le seguenti istruzioni.

1. (Figura 1) Togliere il tagliaerba dalla scatola.
2. Mettere l'impugnatura inferiore (1) in posizione di utilizzo. Verificare che l'impugnatura inferiore (1) si trovi fra le linguette di fermo (2).
3. Mettere l'impugnatura superiore (3) in posizione di utilizzo. Serrare le manopole (4).

AVVERTENZA: fare attenzione nel piegare o rialzare l'impugnatura. Non danneggiare i cavi. Un cavo piegato non funzionerà come previsto. Prima di usare l'unità, sostituire un cavo piegato o danneggiato.

4. (Figura 7) Innestare la leva di arresto del motore (1).
5. (Figura 2) Per attaccare l'impugnatura di contraccolpo-avviamento (1) alla guida della corda (2), girare la corda attraverso la guida (2) montata a destra dell'impugnatura

NOTA: se non è possibile attaccare l'impugnatura di contraccolpo-avviamento perché la corda è troppo corta, mantenere ferma contro l'impugnatura del tagliaerba la leva di arresto del motore. Tirare lentamente l'impugnatura di contraccolpo-avviamento.

Come regolare l'altezza dell'impugnatura

(Figura 3 e Figura 4) La staffa dell'impugnatura (1) ha due posizioni di montaggio. Una posizione ALTA (3) e una BASSA (4). La posizione ALTA (3) alzerà l'impugnatura di circa 11 centimetri.

1. (Figura 1) Rimuovere i dadi ad alette (6) e i bulloni dalle staffe dell'impugnatura sinistra e destra (2).
2. (Figura 3) Per alzare l'impugnatura, montare l'impugnatura inferiore (1) nella posizione ALTA (3).
3. (Figura 4) Per abbassare l'impugnatura, montare l'impugnatura inferiore (1) nella posizione BASSA (4).
4. (Figura 1) Fissare l'impugnatura inferiore (1) alle staffe (2) con i bulloni e i dadi ad alette (6).

Come preparare il motore

Nota: il motore non contiene OLIO o BENZINA.



ATTENZIONE: seguire le istruzioni del fabbricante del motore per il tipo di benzina e olio di usare.

Usare sempre un contenitore di sicurezza per la benzina. Non fumare quando si aggiunge benzina al motore. Non aggiungere benzina al chiuso. Prima di aggiungere benzina spegnere il motore. Attendere per alcuni minuti che il motore si raffreddi.

NOTA: In considerazione dei vari fattori ambientali e delle limitazioni d'uso, è probabile che la potenza effettiva sia inferiore a quella dichiarata.

Vedere le istruzioni del produttore del motore per il tipo di benzina e olio da usare. Prima di usare l'unità, leggere le informazioni sulla sicurezza, uso, manutenzione e immagazzinaggio.

Installazione e rimozione della concimatrice



ATTENZIONE: prima di rimuovere o installare la concimatrice, scollegare il filo della candela di accensione.

In alcuni modelli la concimatrice è installata alla fabbrica. Per passare dalla concimatrice allo scarico d'erba laterale, rimuovere la piastra concimatrice.

Uno scarico laterale può essere convertito in un tagliaerba concimatrice installando il kit nel modo seguente:

1. (Figura 6) Sollevare il deflettore dello scivolo (1).
2. Montare la linguetta (3) sulla parte superiore della piastra concimatrice (2) all'interno dell'alloggiamento del tagliaerba.
3. (Figura 5) Montare la linguetta (4) sul fondo della piastra concimatrice (2) all'interno dell'alloggiamento del tagliaerba.
4. Abbassare il deflettore dello scivolo (1).

Suggerimenti per concimare

La concimazione taglia finemente l'erba in modo che possa essere facilmente riciclata. Dato che i nutrienti vengono restituiti alla terra, il prato avrà bisogno di meno fertilizzante. Per concimare in modo corretto il prato, seguire i suggerimenti qui sotto.

- L'erba deve essere asciutta. Se è bagnata, sarà difficile da tagliare e si formeranno mucchietti d'erba pesanti.
- L'erba non deve essere troppo alta. L'altezza massima per un taglio efficace è di 10,5 cm. Regolare l'altezza di taglio in modo che solamente il terzo superiore dell'erba venga tagliata.
- Se l'erba ha un'altezza maggiore di 10,5 cm, sarà necessario tagliarla due volte. Per il primo taglio, regolare l'altezza di taglio sulla posizione massima. Quindi, abbassare l'altezza per il secondo taglio.
- Mantenere la lama affilata. Una lama non affilata farà ingiallire l'erba.
- Pulire il fondo dell'alloggiamento del tagliaerba. Erba e altri detriti possono compromettere il funzionamento del tagliaerba.

Se la qualità del taglio non è soddisfacente, provare i seguenti accorgimenti:

- Regolare i regolatori dell'altezza su un'altezza di taglio maggiore.
- Tagliare l'erba più frequentemente.
- Usare il tagliaerba ad una velocità più bassa.
- Sovrapporre le sezioni tagliate, invece di tagliare una sezione intera con ogni passata.
- Tagliare l'erba due volte nelle zone marginali.

USO

NOTA: le illustrazioni e i simboli iniziano da pagina 2.

Leva di arresto del motore (Figura 7)

Rilasciare la leva di arresto del motore (1) e il motore e la lama si arresteranno automaticamente. Per mettere in moto, mantenere la leva di arresto del motore (1) in posizione di utilizzo (2)

Prima di avviare il motore, muovere diverse volte la leva di arresto del motore (1) Verificare che il cavo si muova facilmente.

Come spegnere il motore (Figura 7)

Per spegnere il motore, rilasciare la leva di arresto del motore (1). Scollegare il filo dalla candela di accensione per evitare che il motore si metta in moto.

Se il motore non si spegne, mantenere un cacciavite contro la candela di accensione e contro le penne di raffreddamento del motore. La scintilla andrà a terra e il motore si spegnerà. Prima di avviare il motore controllare il cavo di arresto del motore. Verificare che sia montato correttamente. Prima di usare l'unità, sostituire un cavo di arresto piegato o danneggiato.

Sistema di trazione sulle ruote anteriori (Figura 8)

Il tagliaerba è dotato di un sistema di trazione sulle ruote anteriori. Usare il sistema di trazione nel modo seguente.

1. Mantenere la leva di arresto del motore (1) in posizione di FUNZIONAMENTO.
2. Spingere completamente in avanti la leva di marcia (2). Quando la leva di marcia (2) fa clic, rilasciarla. Il sistema di trazione è così innestato.

NOTA: per fermare il motore, rilasciare la leva di arresto del motore.

3. Per disinnestare il sistema di trazione e fermare il motore, rilasciare completamente la leva di arresto del motore (1).
4. Per disinnestare solamente il sistema di trazione, rilasciare la leva di arresto del motore (1) di circa 5 centimetri. Il sistema di trazione sarà così disinnestato, ma il motore continuerà a girare.



ATTENZIONE: per sicurezza, il sistema di trazione deve disinnestarsi immediatamente quando la leva di marcia viene rilasciata. Se il sistema non si disinnesta correttamente, non usare il tagliaerba fino a quando il sistema di trazione non sia stato regolato o riparato da un centro di assistenza tecnica autorizzato.

Come avviare il motore (Figura 9 e Figura 10)



ATTENZIONE: la lama ruota quando il motore è in moto.

1. Controllare l'olio.
2. Riempire il serbatoio di benzina regolare senza piombo. Vedere la sezione "Come preparare il motore".
3. Verificare che il filo della candela di accensione sia collegato alla candela.
4. Verificare che la leva di marcia sia in posizione DISINNESTATA.

- (Figura 9) Il pulsante di innesco (1) si trova sul lato del motore. Premere il **pulsante di innesco (1)** cinque volte, attendendo due secondi fra una pressione e l'altra.
NOTA: non usare il pulsante di innesco per avviare un motore caldo.
- (Figura 10) Posizionarsi dietro il tagliaerba. Con una mano mantenere la **leva di arresto del motore (1)** in posizione d'utilizzo, come mostrato. Usare l'altra mano per mantenere l'**impugnatura di contraccollo-avvio (2)**.
- Tirare rapidamente l'**impugnatura di contraccollo-avvio (2)**. Rimettere lentamente nella posizione originale l'**impugnatura di contraccollo-avvio (2)**.
- Se il motore non si avvia dopo 5 o 6 tentativi, vedere le istruzioni nella sezione sulla soluzione di problemi.

MANUTENZIONE

NOTA: le illustrazioni e i simboli iniziano da pagina 2.

Manutenzione del motore

Usare la seguente sezione sulla manutenzione per mantenere l'unità in buone condizioni di funzionamento. Tutte le informazioni sulla manutenzione del motore sono contenute nel libretto di istruzioni del motore. Prima di avviare il motore leggere questo libretto.



ATTENZIONE: prima di effettuare controlli, regolazioni (tranne per il carburatore), o riparazioni, scollegare il filo dalla candela di accensione.

Inclinazione del motore (Figura 20)

Per effettuare operazioni di manutenzione sul motore, ispezionare la lama, o pulire il fondo dell'alloggiamento del tagliaerba, occorre inclinare sempre il motore in modo che la candela sia in alto. Se si trasporta o inclina il motore con la candela in basso, si causano:

- Difficile avviamento del motore.
- Fumo nel motore.
- Problemi con la candela.
- Saturazione con olio o gas del filtro dell'aria.

Lubrificazione

- Per un rendimento ottimale, lubrificare le ruote e tutti i punti di perno con olio da motore ogni 25 ore.
- Per lubrificare il motore vedere il libretto di istruzioni del motore.

NOTA: non lubrificare il cavo di arresto del motore. I lubrificanti danneggeranno il cavo e ne comprometteranno il movimento. Sostituire un cavo piegato o danneggiato.

F-050445L

Come pulire l'alloggiamento del tagliaerba



ATTENZIONE: la lama ruota quando il motore è acceso. Prima di pulire l'alloggiamento del motore, spegnere il motore e scollegare il filo dalla candela di accensione.

Erba e altri detriti possono compromettere il funzionamento del motore. Dopo aver tagliato l'erba, pulire l'alloggiamento del motore nel modo seguente.

- Spegnere il motore.
- Scollegare il filo dalla candela di accensione.
- Pulire la parte superiore e inferiore dell'alloggiamento del tagliaerba.

Come regolare l'altezza del taglio (Figura 11)



ATTENZIONE: la lama ruota quando il motore è acceso. Prima di cambiare l'altezza del taglio, spegnere il motore e scollegare il filo dalla candela di accensione.

Per cambiare l'altezza del taglio, spostare il **braccio del regolatore (1)** di ciascuna ruota. Verificare che ciascun **braccio regolatore (1)** sia nella stessa posizione in modo che il tagliaerba possa tagliare uniformemente.

- Disinnestare il **braccio regolatore (1)**.
- Spostare il **braccio regolatore (1)** su un'altra posizione.

Come rimuovere la cinghia di trasmissione

Per rimuovere la cinghia di trasmissione, seguire le istruzioni qui sotto.



ATTENZIONE: prima di rimuovere la cinghia, scollegare il filo dalla candela.

- (Figura 13) Togliere la **copertura della cinghia (1)**.
- (Figura 14) Allentare il **bullone di tensione della cinghia (2)**.
- Rimuovere la parte anteriore della **cinghia di trasmissione (3)** dalla **puleggia di trasmissione (4)**.
- (Figura 15) Per rimuovere la parte posteriore della **cinghia di trasmissione (3)**, far scivolare la **cinghia di trasmissione (3)** sull'estremità della **lama (4)**.

NOTA: sostituire la cinghia di trasmissione esclusivamente con una cinghia di ricambio della fabbrica.

- Per montare la **cinghia di trasmissione (3)**, ripetere al contrario le precedenti operazioni.
- (Figura 16) Regolare la tensione della cinghia.
 - Serrare il **dado di regolazione (5)** fino a quando non tocca il **distanziale (6)**. Provare a girare il **distanziale (6)**. Quando il **dado di regolazione (5)** tocca il **distanziale (6)**, il **distanziale (6)** non gira più.
 - Allentare, quindi il **dado di regolazione (5)** fino a consentire al **distanziale (6)** di girare. La tensione sulla **cinghia di trasmissione (3)** è ora corretta.

7. (Figura 13) Installare la copertura della cinghia (1).

- Prima di iniziare a tagliare l'erba, verificare che il sistema di trazione si disinnesti correttamente e che il tagliaerba si fermi. Se il sistema di trazione non si disinnesta, portare il tagliaerba presso un centro di assistenza autorizzato prima di usarlo.

Regolazione del cavo di trasmissione (Figura 12)



AVVERTENZA: prima di regolare il cavo di trasmissione, rilasciare la leva di arresto del motore e attendere che il motore si fermi.

Se il sistema di trazione non si innesta e disinnesta come previsto, controllare che l'impugnatura sia montata correttamente, verificare che tutte le parti siano in buone condizioni, non rotte o piegate, e che tutti i dispositivi di fissaggio siano ben serrati. Parti usurate e cavi tirati compromettono il rendimento del sistema di trazione. Quando si taglia erba alta o densa o su pendii, il sistema di trazione può slittare. In questo caso, regolare come descritto qui di seguito o portare il tagliaerba presso un centro di assistenza autorizzato.

IMPORTANTE: prima di accendere il motore, muovere la leva di arresto del motore diverse volte e assicurarsi che il cavo di arresto del motore si muova senza difficoltà.

NOTA: il motore non è provvisto di una valvola a farfalla o una regolazione della velocità del motore. Il motore è impostato sulla velocità migliore per il taglio e la raccolta dell'erba, e per prolungare la durata del motore.

- Se il sistema di trazione slitta, girare il **regolatore del cavo (1)** di un giro nella direzione mostrata nella figura. Provare il sistema di trazione e controllare che non slitti.
- Se il sistema di trazione continua a slittare girare il **regolatore del cavo (1)** di un altro giro per accorciare il cavo. Provare di nuovo il sistema di trazione.
- Ripetere la regolazione e provare fino a quando il sistema di trazione non slitta più.
- Prima di tagliare l'erba, assicurarsi che il sistema di trazione si disinnesti correttamente e che il tagliaerba si fermi. Se il sistema di trazione non si disinnesta, portare il tagliaerba presso un centro di assistenza autorizzato prima di usarlo.

Sostituzione della lama della concimatrice

Un tagliaerba concimatrice è dotato di una lama speciale. Se questa lama si consuma o è danneggiata, sostituirla con una lama per concimatrice originale. Una lama normale non taglierà l'erba in modo corretto e potrebbe causare incidenti.

Manutenzione della lama



ATTENZIONE: prima di controllare la lama o l'adattatore della lama, scollegare il filo dalla candela di accensione. Se la lama urta contro un oggetto, spegnere il motore. Scollegare il filo dalla candela di accensione. Controllare che l'unità non sia danneggiata.

Controllare frequentemente che la lama non sia consumata o danneggiata (ad esempio incrinata). Controllare frequentemente il bullone che fissa la lama. Mantenerlo ben stretto. Se la lama urta un oggetto, spegnere il motore. Scollegare il filo dalla candela di accensione. Controllare che l'adattatore della lama non sia danneggiato. Controllare che la lama non sia piegata, consumata o danneggiata in altro modo. Prima di usare l'unità, sostituire le parti danneggiate usando pezzi di ricambio della fabbrica. Per motivi di sicurezza, sostituire la lama ogni due anni. Mantenere la lama affilata. Una lama non affilata può fare ingiallire l'erba. Togliere la lama nel modo seguente.

Come rimuovere la lama (Figura 17 e Figura 18)



ATTENZIONE: prima di rimuovere la lama, scollegare il filo dalla candela di accensione. La lama è affilata. Usare guanti o altra protezione di tessuto per proteggere le mani quando si tocca la lama.

1. Drenare il serbatoio di combustibile.
2. Sollevare il lato del tagliaerba con il silenziatore o la candela di accensione.
3. Usare un pezzo di legno per impedire alla ruota di girare.
4. Togliere il bullone (1) che trattiene la lama (2).
5. Controllare la lama seguendo le istruzioni della sezione "Manutenzione della lama". Sostituire una lama consumata o danneggiata con una lama della fabbrica.
6. Montare la lama con i bordi incurvati verso l'alloggiamento. Se la lama è girata al contrario, non taglierà correttamente e può causare un incidente.
7. Fissare la lama (2) con le rondelle (3 e 4) e il bullone (1) originali. Assicurarsi che i bordi esterni delle molle Belleville (4) siano rivolti verso la lama (2).
8. Serrare il bullone (1) che fissa la lama (2) con una torsione di 0,4 kg.



ATTENZIONE: mantenere sempre ben stretto il bullone (1) che fissa la lama (2). Un bullone (1) o una lama (2) allentati possono causare un incidente.

Controllare il livello del taglio

Provare l'unità su una piccola zona. Se l'altezza del taglio non è uniforme o se l'erba tagliata non viene scaricata, la causa potrebbe essere: (1) la lama è tagliata o danneggiata, (2) la lama non è affilata, (3) una lama consumata, (4) o un adattatore di lama rotto. Prima di usare l'unità, correggere il problema.

Piegatura dell'impugnatura per l'immagazzinaggio (Figura 19 e Figura 1)

AVVERTENZA: fare attenzione nel piegare o sollevare l'impugnatura. Non danneggiare i cavi. Un cavo piegato non funzionerà correttamente. Prima di usare l'unità, sostituire un cavo piegato o danneggiato.

F-050445L

Come piegare l'impugnatura

1. (Figura 19) Allentare i dispositivi di fissaggio che fissano la parte superiore dell'impugnatura alla parte inferiore. Nel piegare l'impugnatura assicurarsi che i cavi non siano attorno ai dispositivi di fissaggio allentati e non vengano danneggiati. Ruotare la parte superiore dell'impugnatura verso il retro dell'unità.
2. (Figura 1) Allentare le manopole sull'impugnatura inferiore (1). Premere verso il dentro le estremità dell'impugnatura inferiore (1). Spostare le estremità dell'impugnatura inferiore (1) oltre i chiodi di fermo (2) o le linguette di fermo (2).
3. Ruotare l'impugnatura in avanti sul motore. Verificare che i cavi non siano danneggiati.

Come sollevare l'impugnatura

1. Tirare l'impugnatura all'indietro fino a quando le estremità dell'impugnatura inferiore (1) non si bloccano in posizione.
2. Sollevare la parte superiore dell'impugnatura in posizione di utilizzo. Serrare i dispositivi di fissaggio che fissano l'impugnatura.

Come preparare il tagliaerba per l'immagazzinaggio



ATTENZIONE: non svuotare il serbatoio al chiuso, vicino ad una fiamma, o quando si fuma. I vapori della benzina possono causare un'esplosione o un incendio.

1. Svuotare il serbatoio.
2. Lasciare che il motore giri fino ad esaurire la benzina.
3. Svuotare l'olio dal motore caldo. Riempire la coppa del motore di nuovo olio.
4. Rimuovere la candela di accensione dal cilindro. Versare 28 grammi di olio nel cilindro. Tirare lentamente l'impugnatura di contraccolpo-avvio in modo che l'olio protegga il cilindro. Installare una nuova candela di accensione nel cilindro.
5. Pulire sporco e detriti dalle penne di raffreddamento del cilindro e dall'alloggiamento del motore.
6. Pulire il fondo dell'alloggiamento del tagliaerba.
7. Pulire completamente il tagliaerba per proteggere la vernice.
8. Collocare l'unità in un edificio che abbia una buona ventilazione.

Come ordinare pezzi di ricambio

I pezzi di ricambio sono mostrati nelle ultime pagine di questo libretto di istruzioni o in un libretto apposito.

Usare solamente pezzi di ricambio autorizzati o approvate dal fabbricante. La lettera alla fine del numero di catalogo del pezzo indica il tipo di finitura dello stesso: C per Cromo, Z per zinco, e PA per Gruppo acquistato (Purchased Assembly). È importante indicare questa lettera nell'ordinare il pezzo. Non usare accessori non specificamente raccomandati per questa unità. Per ottenere i pezzi di ricambio corretti, si deve indicare il numero di catalogo del tagliaerba (vedere la targhetta).

I pezzi di ricambio, tranne il motore, la trasmissione, il gruppo cambio differenziale posteriore, il differenziale, sono disponibili

presso il negozio in cui è stato acquistato il tagliaerba o presso un negozio specializzato da esso raccomandato.

In caso non si potessero ottenere pezzi di ricambio o manutenzione nel modo indicato più sopra, contattare:

HAYTER LIMITED,
Service Department,
Spellbrook,
Bishop's Stortford,
Hertfordshire. CM23 4BU.

MURRAY, INC.

International Sales
P.O. Box 268
Brentwood, Tennessee USA 37024
1-800-251-8007
Fax (615) 373-6633

I pezzi di ricambio per il motore, la trasmissione, il gruppo cambio differenziale posteriore, il differenziale, sono disponibili presso il centro assistenza elencato nella sezione commerciale della rubrica telefonica. Vedere inoltre le garanzie individuali per il motore o la trasmissione per ordinare pezzi di ricambio.

Per ordinare sono necessarie le seguenti informazioni:

- (1) Numero di modello
- (2) Numero di serie
- (3) Numero di catalogo
- (4) Quantità

SOLUZIONE DI PROBLEMI

Il motore non si avvia.

1. Verificare che il serbatoio sia pieno di benzina pulita. Non usare benzina vecchia.
2. Su un motore freddo, premere il pulsante di innesco (opzionale su alcuni modelli) cinque volte.
3. Verificare che il filo della candela di accensione sia collegato alla candela.
4. Regolare il carburatore. Vedere il libretto di istruzioni del motore.
5. C'è troppa benzina nel cilindro del motore. Rimuovere e asciugare la candela di accensione. Tirare diverse volte l'impugnatura di contraccolpo-avviamento. Installare la candela di accensione. Collegare il filo alla candela. Avviare il motore.
6. È difficile avviare il motore su erba pesante o bagnata. Spostare il tagliaerba su una superficie pulita asciutta.
7. Verificare che la leva di arresto del motore sia in posizione di utilizzo.
8. Verificare che la valvola del combustibile sia in posizione ON. Vedere il libretto di istruzioni del motore.

Il motore non si spegne.

1. Rilasciare la leva di arresto del motore.
2. Controllare il cavo di arresto del motore. Sostituire il cavo se è danneggiato o piegato.

Il rendimento del motore è scadente.

1. Controllare la regolazione dell'altezza. Alzarla se l'erba è alta.
2. Controllare il fondo dell'alloggiamento della lama. Pulirlo da erba e altri detriti.
3. Controllare il filo della candela di accensione. Verificare che sia collegato.



4. Pulire le pinne di raffreddamento del motore da erba e altri detriti.
5. Controllare le regolazioni del carburatore. Vedere il libretto di istruzioni del motore.
6. Controllare l'intervallo della candela di accensione. Impostarlo su 0,030".
7. Controllare il livello dell'olio nel motore. Riempire se necessario.
8. Controllare il filtro dell'aria del motore. Vedere il libretto di istruzioni del motore.
9. La benzina è scadente. Svuotare e pulire il serbatoio. Riempirlo con benzina pulita.

Vibrazione eccessiva.

1. Togliere la lama. Controllare la lama ed equilibrare se necessario. Vedere le istruzioni sulla manutenzione della lama.

2. Controllare che la lama non sia piegata o rotta. **UNA LAMA DANNEGGIATA È PERICOLOSA E DEVE ESSERE SOSTITUITA.**
3. Controllare l'adattatore della lama. **SOSTITUIRE UN ADATTATORE DI LAMA ROTTO.**
4. Se la vibrazione continua, portare il tagliaerba ad un centro di assistenza autorizzato.

L'erba non viene scaricata in modo corretto.

1. Pulire il fondo dell'alloggiamento del tagliaerba.

2. Controllare che la lama non sia consumata. Rimuovere la lama e affilarla. Per motivi di sicurezza, sostituire la lama ogni due anni con una lama della fabbrica.

Il taglio dell'erba non è uniforme.

1. Controllare la regolazione dell'altezza per ogni ruota. La regolazione dell'altezza deve essere la stessa per tutte le ruote.
2. Verificare che la lama sia affilata.
3. Controllare che la lama non sia piegata o rotta. **UNA LAMA DANNEGGIATA È PERICOLOSA E DEVE ESSERE SOSTITUITA.**
4. Controllare che l'adattatore della lama non sia rotto. **SOSTITUIRE UN ADATTATORE DI LAMA ROTTO.**

INHOUD

INTERNATIONALE PICTOGRAMMEN	27
INFORMATIE VOOR DE EIGENAAR	28
VEILIGE BEDIENING	28
MONTAGE	29
BEDIENING	29
ONDERHOUD	30
TROUBLESHOOTING SCHEMA	31

MURRAY, INC.

TWEEJARIGE BEPERKTE GARANTIE

Murray, Inc. biedt de eerste eigenaar van dit produkt garantie gedurende twee jaar dat dit produkt, bij normaal gebruik en onderhoud, vrij is van defecten aan materiaal en als gevolg van samenstelling. Echter, deze garantie heeft geen betrekking op de motor en accessoires zoals sneeuwblazers, sneeuwmessen, graszakkvullers, transmissies, accu's en aan normale slijtage onderhevige onderdelen (uitzonderingen worden hieronder genoemd) of op verbindingssassen, aangezien de bedrijven die deze produkten maken deze zelf garanderen en service aanbieden via hun eigen gemachtigde service centers. Zie de garantieteksten behorend bij deze bijzondere onderdelen voor aanvullende informatie. Als u er niet zeker van bent of uw machine uitgerust is met één of meer van deze onderdelen, vraag hier dan naar tijdens de aankoop. Onderhevig aan de voorwaarden en condities beschreven in deze Beperkte Garantie, zullen wij gedurende de garantietermijn, naar ons goeddunken, enig defect onderdeel dat valt onder deze Beperkte Garantie gratis repareren

of vervangen, zolang de machine in bezit is van de eerste eigenaar.

Als binnen een periode van negentig (90) dagen na aankoop blijkt dat de accu defect is, zullen wij deze gratis vervangen. Als binnen een periode tussen 90 en 120 dagen na aankoop blijkt dat de accu defect is, zullen wij deze vervangen voor de helft van de winkelprijs zoals die geldt op het moment van teruggave.

Onderdelen die aan normale slijtage onderhevig zijn, zijn aandrijfriemen, messen, mes tussenstukken, luchtbanden, koplampen en stoelbekleding. Deze onderdelen worden gegarandeerd qua materiaal en toepassing tijdens de aankoop van het produkt. Alle claims voor reparatie of vervanging van zulke onderdelen moeten binnen dertig (30) dagen na aanschafdatum ingediend worden. Claims die betrekking hebben op gebruik van het produkt, misbruik of verkeerd gebruik zullen niet worden gehonoreerd.

Deze Murray, Inc. tweejarige beperkte garantie is exclusief. Echter, de garantie is ongeldig of niet van toepassing op enige machine waaraan veranderingen zijn aangebracht of die misbruikt of gebruikt is voor verhuur of commerciële doeleinden (ander dan privégebruik). Uw garantie heeft geen betrekking op kleine mechanische aanpassingen die niet het gevolg zijn van mankementen aan materiaal of vakmanschap. Zie uw gebruikshandleiding voor het uitvoeren van zulke aanpassingen. Teneinde een claim onder deze **Murray, Inc. tweejarige (2) beperkte garantie** in te dienen, moet u de machine (of bij goedkeuring vooraf, het defecte onderdeel) samen met bewijs van

aankoop naar een erkend service center bij u in de buurt brengen. Het dichtstbijzijnde gemachtigde service center kunt u vinden door met de landelijke distributeur te bellen of in de gouden gids te kijken. Indien u de gehele machine terug brengt, zullen wij deze repareren. Als wij u toestaan om alleen het defecte onderdeel terug te brengen, zullen wij dat repareren of vervangen. Indien de transmissie of het differentiël (niet de verbindingssas) defect zijn, moet de gehele transmissie of differentiël ingeleverd worden, aangezien deze geen losse vervangbare onderdelen bevatten.

Deze **Murray, Inc. tweejarige (2) beperkte garantie** geeft u bepaalde wettelijke rechten en u kunt eventuele ook andere rechten hebben. **De beperkte garantie is in plaats van alle andere expliciete of impliciete garanties, inclusief de impliciete garantie op verhandelbaarheid en op geschiktheid voor een bepaald doel.** Indien u meer wenst te weten over deze beschreven garantie of assistentie verlangt in het verkrijgen van service, schrijf dan naar: **HAYTER LIMITED**, Service Department, Spellbrook, Bishop's Stortford, Hertfordshire. CM23 4BU.

MURRAY, INC.

International Sales
P.O. Box 268
Brentwood, Tennessee USA 37024
1-800-251-8007
Fax (615) 373-6633

INTERNATIONALE PICTOGRAMMEN

BELANGRIJK: De volgende pictogrammen bevinden zich op uw machine of in de daarbij behorende literatuur. Voordat u de machine gaat bedienen, moet u de betekenis en het doel van elk pictogram leren begrijpen.

OPMERKING: Illustraties en pictogrammen beginnen op pagina 2.

Veiligheids- en waarschuwingspictogrammen (Figuur 21)

- 1 Waarschuwing.
- 2 BELANGRIJK: Lees de

Gebruikshandleiding voordat u met deze machine gaat werken.

- 3 **WAARSCHUWING:** Uitgeworpen voorwerpen. Houdt omstanders op afstand. Lees de gebruiksaanwijzing voordat u deze machine gaat bedienen.
- 4 Maai niet de helling op of af, maar maai met de helling mee.
- 5 **GEVAAR:** Dit is geen trede.
- 6 **GEVAAR:** Houd voeten en handen uit de buurt van draaiende messen.
- 7 Opgegeven geluidvermogensniveau van 100 dB(A) volgens Richtlijn 2000/14/EG.

- 8 **GEVAAR:** Verwijder de bougiekabel van de bougie voordat u onderhoud aan de machine uitvoert.
- 9 **GEVAAR:** De beschermingskappen niet openen of verwijderen terwijl de motor draait.

Bedieningspictogrammen (Figuur 22)

- 1 Langzaam
- 2 Snel
- 3 Stoppen van de motor
- 4 Motor starten
- 5 Olie
- 6 Brandstof
- 7 Voorwaarts

MODEL NO.: 226111x52B



SKU No.:

YYYY MM DD: _____

SERIAL NO.:

3050 min-1

32 kg

Manufactured in Lawrenceburg, TN 38464, U.S.A.

Opgegeven trillingsemisiewaarden volgens EEG Richtlijn 98/37/EC.

Trillingsemisie volgens EN 836/A2:2001: **6,95 m/s²**.

Deze waarden zijn bepaald voor een stationair draaiende machine bij 3050 toeren per minuut op een betonnen oppervlak aan de bedieningshendel van de machine.

Opgegeven geluidvermogensniveau van 100 dB(A) volgens Richtlijn 2000/14/EG.

Geluidsdrumniveaus bij de bestuurdersstoel **84 dB**.

Deze waarden zijn bepaald bij het oor in overeenstemming met specificaties EN 836/A2:2001.

INFORMATIE VOOR DE EIGENAAR

Ken uw machine: Als u de machine en de werking ervan begrijpt krijgt u de beste resultaten. Vergelijk de illustraties van de machine met de werkelijkheid, terwijl u deze handleiding doorleest. Leer de werking van de bedieningselementen en waar ze zich bevinden. Volg de bedieningsaanwijzingen en de veiligheidsregels om een ongeluk te voorkomen. Bewaar deze handleiding om hem later te kunnen raadplegen.



WAARSCHUWING: Let op! Dit symbool duidt op belangrijke veiligheidsmaatregelen. Dit symbool betekent: "Let en pas op! Uw veiligheid kan in gevaar zijn."

Verantwoordelijkheid van de eigenaar



WAARSCHUWING: Dit is een snijdende machine die in staat is handen en voeten te amputeren en voorwerpen weg te slingeren. Veronachtzaming van de volgende veiligheidsaanwijzingen kan resulteren in ernstig letsel of de dood voor de bestuurder en omstanders.

Het is de verantwoordelijkheid van de eigenaar om de onderstaande aanwijzingen op te volgen.

VEILIGE BEDIENING

Voor loopmaaiers met roterende messen

Training

1. Lees de instructies nauwkeurig. Wees vertrouwd met de bediening en het juiste gebruik van de machine.
2. Sta nooit toe dat kinderen of mensen die niet bekend zijn met deze instructies de machine gebruiken. Lokale regels kunnen een minimum leeftijd voor de bestuurder voorschrijven.
3. Maai nooit als er omstanders, in het bijzonder kinderen, of huisdieren in de buurt zijn.
4. Onthoud dat de bestuurder of gebruiker verantwoordelijk is voor ongevallen of blootstelling aan gevaar aan derden of hun bezittingen.

Vorbereiding

1. Draag tijdens het maaien altijd stevige schoenen en een lange broek. Bedien de machine niet met blote voeten of met sandalen aan.
2. Onderwerp het te maaien gebied aan een grondige inspectie en verwijder alle voorwerpen die door de machine uitgeworpen zouden kunnen worden.

3. **WAARSCHUWING: Benzine is zeer brandbaar.**
 - a. Bewaar brandstof in containers die speciaal voor dit doel ontworpen zijn.
 - b. Voeg benzine toe in de frisse lucht en rook niet.
 - c. Voeg benzine toe voordat u de motor aanzet. Verwijder nooit de benzinetankdop of voeg benzine toe terwijl de motor loopt of nog heet is.
 - d. Als er benzine gemorst is, mag u de motor niet starten, maar moet u de machine van de plek met de gemorste benzine verwijderen en voorkomen dat er een vonk kan optreden, totdat de benzine verdampst is.
 - e. Schroef alle doppen van benzine containers en tanks zorgvuldig vast.
4. Vervang defecte geluidsdempers.
5. Controleer voor gebruik altijd dat de messen, mesbouten en snijconstructie niet versleten of beschadigd zijn. Vervang versleten of beschadigde messen en bouten in paren zodat het evenwicht niet verstoord wordt.
6. Bij machines met meerdere messen kan het draaien van één mes tot gevolg hebben dat andere messen ook gaan bewegen.

Bediening

1. Gebruik de machine niet in een afgesloten ruimte, waar zich gevaarlijke koolmonoxyde dampen kunnen ophopen.
2. Maai alleen bij daglicht of goed kunstlicht.
3. Voorkom, waar mogelijk, het maaien van nat gras.
4. Zorg altijd voor voldoende grip op hellingen.
5. Loop nooit hard.
6. Voor machines met aangedreven wielen: maai niet de helling op of af, maar maai met de helling mee.
7. Wees uiterst voorzichtig bij het veranderen van richting op een helling.
8. Gebruik de machine niet op steile hellingen.
9. Wees uiterst voorzichtig bij het veranderen van richting of als u de maaier naar u toe trekt.
10. Zet de draaiende messen af als de maaier scheef gehouden moet worden voor transportdoeleinden, bij het oversteken van terrein anders dan gazon en bij het transporteren van de maaier van en naar het te maaien gebied.
11. Gebruik de maaier nooit als de beschermkappen kapot zijn of als deze en andere veiligheidsmiddelen, zoals graszakken, niet op hun plaats zitten.
12. Verander de instellingen van de reguleur van de machine niet en voer hem niet op.

13. Schakel de mes- en wiel-aandrijving uit alvorens u de motor start.
14. Start de motor voorzichtig volgens de aanwijzingen en met uw voeten uit de buurt van de mes(sen).
15. Kantel de machine niet bij het starten van de motor, tenzij dat absoluut noodzakelijk is. Kantel hem in dat geval zo min mogelijk en breng het gedeelte omhoog dat het verst van u weg is.
16. Start de motor niet als u zich voor de uitworp bevindt.
17. Houd uw handen en voeten weg van draaiende onderdelen en altijd uit de buurt van de uitworp.
18. Til een maaier met draaiende motor nooit op en draag hem nooit.
19. Stop de motor en trek de bougiekabel(s) los als u:
 1. verstoppingen in de uitworpstrecht of elders wilt verhelpen;
 2. de maaier controleert, reinigt of er aan wilt werken;
 3. wanneer u de maaier inspecteert nadat u een obstakel geraakt hebt. Voer, indien nodig, reparaties uit voordat u de machine opnieuw gaat starten en gebruiken;
 4. de motor controleert bij abnormaal trillen. (Onmiddellijk controleren!)
20. Stop de motor:
 1. als u de maaier verlaat;
 2. voordat u benzine bijvult.
21. Neem gas terug aan het einde van de maaiactiviteiten. Draai de benzinekraan dicht, indien de motor hiermee is uitgerust.
22. Wees extra voorzichtig bij blinde hoeken, struiken, bomen of andere obstakels die het zicht kunnen wegnemen.

Onderhoud en opslag

1. Zorg ervoor dat alle moeren, bouten en schroeven vast aangedraaid zitten om er zeker van te zijn dat de machine veilig is.
2. Parkeer de machine nooit met benzine in de tank, in een afgesloten ruimte waar de dampen met een vlam of vonk in aanraking kunnen komen.
3. Laat de motor afkoelen voordat u de machine in een afgesloten ruimte weg zet.
4. Verwijder gras, bladeren en overmatig smeervet van de en van de benzine opslagplaats om gevaar voor brand te verminderen.
5. Controleer de grasvanger regelmatig op slijtage.
6. Vervang versleten of beschadigde onderdelen om veiligheidsredenen.
7. Als het nodig blijkt de benzinetank af te tappen, moet dit in de frisse lucht gebeuren.

MONTAGE

OPMERKING: Illustraties en pictogrammen beginnen op pagina 2.

Instructies bij het uitpakken

De maaier werd in de fabriek geassembleerd. Toen de maaier verpakt werd in de doos, werd de hendel in de opslagstand gelegd. Om de hendel in de gebruiksstand te plaatsen, moet u de onderstaande stappen uitvoeren:

1. **(Figuur 1)** Haal de maaier uit de doos.
2. Plaats de **onderste hendel (1)** in de gebruiksstand. Zorg dat de **onderste hendel (1)** tussen de **uitsteeksels (2)** vast komt te zitten.
3. Plaats de **bovenste hendel (3)** in de gebruiksstand. Draai de **knoppen (4)** aan.
WAARSCHUWING: Pas op als u de hendel omhoog of omlaag beweegt. Voorkom dat de kabels beschadigd worden. Een geknikte kabel zal niet goed werken. Vervang geknikte of beschadigde kabels voordat u de machine gaat gebruiken.
4. **(Figuur 7)** Trek de **motorstophendel (1)** aan.
5. **(Figuur 2)** Om de **greep van het startkoord (1)** aan de **koordgeleider (2)** vast te maken, moet u het koord door de **koordgeleider (2)** trekken. Deze zit gemonteerd aan de rechterkant van de hendel.

OPMERKING: Als het niet lukt om de greep van het startkoord te bevestigen omdat het koord te kort is, moet u de motorstophendel tegen de hendel aanhouden. Trek nu langzaam aan het koord.

Aanpassen van de hendelhoogte

(Figuur 3 en Figuur 4) De **hendelbeugel (1)** heeft twee standen; een **HOGE (3)** en een **LAGE (4)** stand. In de **HOGE (3)** stand is de hendel ongeveer 10 cm hoger.

1. **(Figuur 1)** Verwijder de **vleugelmoeren (6)** en bouten van de rechter en linker **hendelbeugels (2)**.
2. **(Figuur 3)** Om de hendel omhoog te brengen, moet u de **onderste hendel (1)** in de **HOGE (3)** stand monteren.
3. **(Figuur 4)** Om de hendel omlaag te brengen, moet u de **onderste hendel (1)** in de **LAGE (4)** stand monteren.
4. **(Figuur 1)** Bevestig de **onderste hendel (1)** aan de **hendelbeugels (2)** met de bouten en de **vleugelmoeren (6)**.

In gereedheid brengen van de motor

OPMERKING: De motor bevat geen OLIE of BENZINE.



WAARSCHUWING: Zoek in de handleiding van de motorfabrikant op welk soort benzine en olie u moet gebruiken. Gebruik altijd een goedgekeurde jerrycan. Rook niet tijdens het bijvullen van benzine, zet de motor af en laat deze eerst enige minuten afkoelen. Bijvullen van benzine mag nooit in afgesloten ruimtes gebeuren.

OPMERKING: De werkelijke voortdurende paardenkracht zal waarschijnlijk lager zijn door de bedrijfsbeperkingen en omgevingsfactoren.

F-050445L

Zoek in de handleiding van de motorfabrikant op welk soort benzine en olie u moet gebruiken. Lees eerst de informatie over veiligheid, bediening, onderhoud en opslag.

Installatie en verwijdering van de mulcheraccessoire



WAARSCHUWING: Voordat u de mulcheraccessoire installeert of verwijdert, moet u de bougiekabel lostrekken.

Bij sommige modellen is de mulcheraccessoire in de fabriek geïnstalleerd. U kunt de maaier aanpassen van mulcher naar zij-uitworp, door de plaat te verwijderen.

Een maaier met zijdelingse uitworp kan in een mulchmaaier worden veranderd door de mulcheraccessoire als volgt aan te brengen:

1. **(Figuur 6)** Breng de **uitworpkap (1)** omhoog.
2. Schuif de **lip (3)** aan de bovenkant van de **geleidplaat (2)** onder de rand van de maaibehuizing.
3. **(Figuur 5)** **Lip (4)** aan de onderkant van de **geleidplaat (2)** moet eveneens onder de rand van de maaibehuizing gestoken worden.
4. Laat de **uitworpkap (1)** zakken.

Tips voor het mulchen

Door te mulchen wordt het gras zeer fijn gesneden, zodat het gemakkelijk gerecycled kan worden. Omdat de voedingsstoffen op die manier naar de bodem teruggevoerd worden, heeft het gazon minder (kunst)mest nodig. Volg de onderstaande aanwijzingen om het gazon op de juiste wijze te mulchen.

- Het gras moet droog zijn. Nat gras nat is moeilijk te snijden en vormt kluiten.
- Het gras mag niet te lang zijn. De maximum lengte die nog effectief gemaaid kan worden is 11 cm. Stel de hoogteregelaars zo in dat alleen de bovenste 33% van het gras wordt afgesneden.
- Gras dat langer dan 11cm is moet in twee keer gemaaid worden. Zet voor de eerste maaibeurt de hoogteregelaars in de hoogste stand. Stel ze daarna lager in voor de tweede maaibeurt.
- Zorg dat het mes scherp is. Een bot mes veroorzaakt bruine uiteinden aan het gras.
- Maak de onderkant van de maaibehuizing schoon. Gras en rommel kan de goede werking van de maaier verhinderen.

Als de kwaliteit van het maaien marginaal is, kunt u het volgende proberen:

- Stel de hoogteregelaars op een hogere maaihogte in.
- Maai het gras vaker.
- Gebruik de maaier bij een lagere rijsnelheid.
- Laat de maaistroken overlappen, in plaats van telkens een volle strook te maaien.
- Maai de marginale gebieden nogmaals.

BEDIENING

OPMERKING: Illustraties en pictogrammen beginnen op pagina 2.

Machinestophendel (Figuur 7)

Door de **machinestophendel (1)** los te laten, zal de motor en het mes automatisch stoppen. Om de motor gaande te houden, moet u de **machinestophendel (1)** in de **gebruiksstand (2)** houden.

Voordat u de motor start, moet u de **machinestophendel (1)** enige keren aantrekken om u ervan te vergewissen dat de kabel gemakkelijk beweegt.

Stoppen van de motor (Figuur 7)

Laat de **machinestophendel (1)** los om de motor te stoppen. Trek de bougiekabel los om te voorkomen dat de motor start.

Als de motor niet wil afslaan, moet u een schroevendraaier tegen de bougie en de koelelementen houden. De vonk wordt daardoor gearad waardoor de motor afslaat. Controleer de machinestopkabel voordat u de motor start. Zorg dat deze goed bevestigd is. Vervang een beschadigde of geknikte stopkabel voordat u de machine gaat gebruiken.

Voorwielaandrijving (Figuur 8)

De maaier heeft voorwielaandrijving. Bedien de aandrijving als volgt.

1. Houd de **motorstophendel (1)** in de **OPERATING** stand.
 2. Duw de **aandrijfhendel (2)** geheel naar voren. Laat de **aandrijfhendel (2)** los als deze een klik te horen geeft. Het aandrijfsysteem is nu in werking gesteld.
- OPMERKING: Om de motor te stoppen, moet u de motorstophendel los laten.**
3. Laat de **motorstophendel (1)** geheel los om de aandrijving te ontkoppelen en de motor af te laten slaan.
 4. Door de **motorstophendel (1)** ongeveer 5 cm. op te laten komen wordt alleen de aandrijving ontkoppeld. De aandrijving zal worden ontkoppeld maar de motor blijft draaien.



WAARSCHUWING: Voor veilig gebruik moet het aandrijfsysteem meteen uitschakelen, zodra de aandrijfhendel wordt losgelaten. Als het aandrijfsysteem niet juist uitschakelt, mag u de maaier niet gebruiken, totdat deze is ingesteld of gerepareerd door een erkend service center.

Starten van de motor (Figuur 9 en 10)



WAARSCHUWING: Het mes draait als de motor aan staat.

1. Controleer de olie.
2. Vul de benzine tank met normale ongelode benzine. Zie het hoofdstuk "In gereedheid brengen van de motor".
3. Zorg dat de bougiekabel met de bougie verbonden is.
4. Zorg ervoor dat de aandrijfhendel in de **DISENGAGE** stand staat.
5. **(Figuur 9)** De **benzine inspuitsknop (1)** bevindt zich aan de zijkant van de machine. Druk vijf keer op de **benzine inspuitsknop (1)** en wacht twee seconden.
OPMERKING: Gebruik de benzine inspuitsknop (1) niet om een warme motor te starten.
6. **(Figuur 10)** Ga achter de maaier staan. Gebruik één hand om de **machinestophendel (1)** in de gebruiksstand te houden, zoals aangegeven. Pak met de andere hand de **startkoordknop (2)** vast.

- Geef een ruk aan de **startkoordknop (2)** en laat dit langzaam terugkomen.
- Als de motor na 5 of 6 keer niet start, zie dan de aanwijzingen in de "Troubleshooting schema".

ONDERHOUD

OPMERKING: Illustraties en pictogrammen beginnen op pagina 2.

Onderhoud van de motor

Gebruik het onderstaande hoofdstuk over onderhoud om de machine in goede conditie te houden. Informatie over onderhoud aan de motor staat in het instructieboekje voor de motor. Lees dit boekje voordat u de motor start.



WAARSCHUWING: Voordat u de motor inspecteert, instelt (behalve de carburateur), of repareert, moet u eerst de bougiekabel los trekken.

Kantelen van de motor (Figuur 20)

Als u onderhoud aan de motor verricht, het mes inspecteert, of de onderkant van de maaibeuizing schoon maakt, moet u er altijd voor zorgen dat u de motor zo kantelt dat de bougie omhoog wijst. Transporteren of kantelen van de motor met de bougie omlaag, zal tot gevolg hebben dat:

- de motor moeilijk start.
- de motor gaat roken.
- de bougie vervuult raakt.
- het luchtfilter vol met olie of benzine komt te zitten.

Smering

- Om de maximale prestatie te waarborgen, moet u de wielen en alle draaipunten elke 25 uur met motorolie smeren.
- Zie het instructieboekje voor de motor over het smeren van de motor.

OPMERKING: Smeer de motorstopkabel niet. Smeermiddelen zullen de kabel beschadigen waardoor de kabel niet meer vrij kan bewegen. Vervang de kabel indien deze geknikt of beschadigd is.

Reinigen van de maaibeuizing



WAARSCHUWING: Het mes draait als de motor aan staat. Voordat u de maaibeuizing schoon maakt, moet u de motor afzetten en de bougiekabel los trekken.

Gras en andere rommel kan voorkomen dat de maaier goed werkt. Maak na het maaien de maaier, als volg schoon:

- Stop de motor.
- Trek de bougiekabel los.
- Maak de boven- en onderkant van de maaibeuizing schoon.

Instellen van de maaihoogte (Figuur 11)



WAARSCHUWING: Het mes draait als de motor aan staat. Voordat u de maaibeuizing schoon maakt, moet u de motor afzetten en de bougiekabel los trekken.

F-050445L

Om de maaihoogte te veranderen, moet u de **hendel (1)** bij elk wiel in een andere stand zetten. Zorg dat de **hendel (1)** bij elk wiel in de zelfde stand staat, zodat de maaier egaal maait.

- Trek de **hendel (1)** opzij.
- Zet de **hendel (1)** in een andere stand.

Verwijderen van de aandrijfriem

Om de aandrijfriem te verwijderen, moet u de onderstaande stappen uitvoeren.



WAARSCHUWING: Trek de bougiekabel los, voordat u de aandrijfriem verwijderd.

- (Figuur 13) Verwijder de **aandrijfriemkap (1)**.
- (Figuur 14) Maak de **riemspanningsbout (2)** los.
- Verwijder de voorzijde van de **aandrijfriem (3)** van de **transmissieschijf (4)**.
- (Figuur 15) Schuif de **aandrijfriem (3)** over het uiteinde van het **mes (4)** om de achterzijde van de **aandrijfriem (3)** te verwijderen.

OPM: Zorg ervoor dat u de aandrijfriem alleen vervangt met een reservefriem van de fabriek.

- Herhaal de bovenstaande stappen in omgekeerde volgorde om de **aandrijfriem (3)** samen te stellen..
- (Figuur 16) Stel de riemspanning af.
 - Span de **regelmoer (5)** af totdat de moer de **pasring (6)** raakt. Probeer de **pasring (6)** te draaien. Wanneer de **regelmoer (5)** de **pasring (6)** raakt, zal de **pasring (6)** niet draaien.
 - Draai vervolgens de **regelmoer (5)** slechts voldoende los om de **pasring (6)** te laten draaien. De spanning op de **aandrijfriem (3)** is nu correct.
- (Figuur 13) Installeer de **riemkap (1)**.
- Voordat u met maaien begint, moet u zich er van vergewissen dat het aandrijfsysteem goed uitschakelt en dat de maaier daadwerkelijk stopt. Als het aandrijfsysteem niet goed uitschakelt, moet u de maaier naar een erkend service center brengen voordat u ermee kan werken.

Hoe de aandrijfkabel afstellen (Figuur 12)



WAARSCHUWING: Voordat u de aandrijfkabel afstelt, dient u het motorstophendeltje loslaten en wachten tot de motor stopt.

Als het aandrijfsysteem niet juist in- en uitschakelt, dient u te controleren of de hendel juist is samengesteld. Zorg ervoor dat alle onderdelen in goede conditie zijn, niet gebroken of gebogen zijn en dat alle klemmen vast zitten. Versleten onderdelen en uitgerekte kabels zullen de werking van het aandrijfsysteem beïnvloeden. Wanneer u maait in hoog of dik gras of op hellingen, kan het aandrijfsysteem slippen. Als het aandrijfsysteem slijpt, dient u het als volgt af te stellen of neem de maaimachine naar een erkend servicecentrum.

BELANGRIJK: Voordat u de motor start, dient u het motorstophendeltje verscheidene keren te proberen. Zorg ervoor dat de motorstopkabel vrij beweegt..

OPM: Het motorontwerp omvat geen smoorregeling of motorsnelheidsregelaar. De motor is ingesteld op de beste snelheid om gras te maaien, gras op te vangen en voor een verlengde gebruiksduur van de motor.

- Als het aandrijfsysteem slijpt, dient u de **kabelregelaar (1)** een slag in de richting getoond op de illustratie te draaien. Test het aandrijfsysteem en controleer of het systeem slijpt.
- Als het aandrijfsysteem nog steeds slijpt, dient u de **kabelregelaar (1)** nog een slag te draaien om de kabel te verkorten. Test opnieuw het aandrijfsysteem.
- Herhaal de afstelling en test totdat het aandrijfsysteem niet meer slijpt.
- Voordat u begint met maaien dient u ervoor te zorgen dat het aandrijfsysteem correct uitschakelt en dat de maaimachine stopt. Als het aandrijfsysteem niet uitschakelt, dient u de maaimachine naar een erkend servicecentrum te brengen voor u de maaimachine gebruikt.

Vervangen van het mulchmes

Een maaier die kan mulchen is uitgerust met een speciaal mulchmes. Als dit versleten of beschadigd is, moet u het vervangen met een origineel reserve exemplaar. Een standaard mes zal niet goed maaien en kan ongelukken veroorzaken.

Onderhoud aan het mes



WAARSCHUWING: Voordat u het mes of het mesverbindingsstuk inspecteert, moet u de bougiekabel lostrekken. Stop de motor als het mes een obstakel raakt. Trek de bougiekabel los en controleer of er schade is opgetreden.

Controleer het mes regelmatig op slijtage of beschadigingen zoals barstjes. Controleer eveneens regelmatig of de bout die het mes op zijn plaats houdt, goed vast zit. Stop de motor als het blad een obstakel raakt. Trek de bougiekabel los. Controleer het mesverbindingsstuk op schade. Kijk of het mes gebogen, beschadigd, of ernstig versleten is. Voordat u met de machine werkt, moeten beschadigde onderdelen worden vervangen met originele fabrieksonderdelen. Vervang het mes elke twee jaar om veiligheidsredenen. Zorg dat het mes altijd geslepen is. Een bot mes veroorzaakt bruine randjes aan het gras. Het mes moet als volgt vervangen worden.

Vervangen van het mes (Figuur 17 en Figuur 18)



WAARSCHUWING: Voordat u het mes gaat verwijderen, moet u de bougiekabel lostrekken. Het mes heeft scherpe randen. Pak het mes alleen vast met handschoenen of een doek, om uw handen te beschermen.

- Leeg de benzinetank.
- Kantel de maaier omhoog aan de zijde van de geluiddemper of bougie.
- Borg het mes met een stuk hout, zodat het niet kan draaien.
- Verwijder de **bout (1)** die het **mes (2)** op zijn plaats houdt.
- Controleer het mes volgens de richtlijnen onder "Onderhoud aan het mes." Vervang een mes dat versleten of beschadigd is met een origineel reserve exemplaar.

- Plaats het mes met de gebogen randen omhoog. Een blad dat ondersteboven zit, zal niet goed maaien en kan een ongeluk veroorzaken.
- Zet het **mes (2)** vast met de originele **ringen (3 en 4)** en de **bout (1)**. Zorg dat de platte kant van de getrapte **ring (4)** tegen het **mes (1)** aan komt te zitten.
- Draai de **bout (1)** die het mes op zijn plaats houdt aan met een moment van 30 foot pounds (40 Nm).



WAARSCHUWING: Zorg er altijd voor dat de moer (3) die het mes (1) op zijn plaats houdt goed vast zit. Een losse moer of een los mes kunnen een ongeluk veroorzaken.

Controleren of de maaier egaal maait

Maai een kort stuk. Als de maaïhoogte niet gelijkmatig is, of als het gras niet wordt uitgeworpen, kan het zijn dat: (1) het mes gebogen of beschadigd is, (2) het mes bot is, (3) het mes versleten is, (4) het mesverbindingstuk gebroken is. Verhelp het probleem voordat u de machine gaat gebruiken.

Neerklappen van de hendel voor opslag (Figuur 19 en Figuur 1)

WAARSCHUWING: Pas op als u de hendel op- of neerklapt. Beschadig de kabels niet. Een geknikte kabel zal niet goed werken. Vervang geknikte of beschadigde kabels voordat u met de machine gaat werken.

Neerklappen van de hendel

- (Figuur 19) Maak de vleugelmoeren of knoppen los die de bovenkant van de hendel met de onderkant verbinden. Als u de hendel neerklapt, moet u er op letten dat de kabels niet blijven haken achter de losse vleugelmoeren en beschadigd worden. Klap de bovenste hendel in de richting van de achterkant van de machine.
- (Figuur 1) Maak de knoppen op het onderstuk van de **hendel (1)** los. Druk de zijkanten van de **onderste hendel (1)** naar beneden voorbij de **uitsteeksels (2)**.
- Klap de hendel naar voren over de motor heen. Zorg dat de kabels niet worden beschadigd.

Omhoogklappen van de hendel

- Trek de hendel naar achteren tot dat de eindknoppen van de **onderste hendel (1)** in de juiste stand vastklikken.
- Klap de bovenste hendel omhoog in de werkstand. Draai de vleugelmoeren vast.

Vorbereiden voor opslag



WAARSCHUWING: Tap geen benzine af als de maaier zich in een afgesloten gebouw of in de buurt van vuur bevindt en rook niet. Benzinedampen kunnen een explosie of brand veroorzaken.

- Tap de benzine af uit de benzinetank.
- Laat de motor draaien totdat de benzine op is.
- Tap de olie uit de warme motor af. Vul de krukasruimte van de motor met nieuwe olie.
- Verwijder de bougie uit de cilinder. Giet ongeveer 30 milliliter olie in de cilinder. Trek langzaam aan het startkoord, zodat de olie verspreid wordt en de cilinder kan beschermen. Plaats een nieuwe bougie in de cilinder.

F-050445L

- Verwijder vuil en rommel van de cilinderkoelfinnen en het motorhuis.
- Maak de onderkant van de maaibehuizing schoon.
- Reinig de maaier in zijn geheel om de verf te beschermen.
- Zet de machine in een goed geventileerde ruimte.

Bestellen van reserve onderdelen

De reserve onderdelen staan achterin dit instructieboek of in een aparte onderdelenboek. Gebruik alleen reserve onderdelen die door de fabrikant erkend of goedgekeurd zijn. De letter achteraan het onderdeelnummer duidt op het soort afwerking voor het onderdeel: C staat voor chroom, Z voor zink, en PA voor aangekocht onderdeel. U hoeft deze letters niet op te nemen in de bestelling. Gebruik geen accessoires die niet speciaal voor deze machine worden aanbevolen. Om de juiste reserve onderdelen te bestellen, moet u het model van uw maaier, zoals dat op het naamplaatje voorkomt, vermelden.

Reserve onderdelen, behalve voor de motor, transmissie, verbindingas en differentieel, zijn verkrijgbaar via uw leverancier of via een service center dat wordt aanbevolen door de leverancier.

Als u geen onderdelen of service kunt verkrijgen via de hierboven beschreven weg, kunt u contact opnemen met **HAYTER LIMITED**, Service Department, Spellbrook, Bishop's Stortford, Hertfordshire. CM23 4BU.

MURRAY, INC.

International Sales
P.O. Box 268
Brentwood, Tennessee USA 37024
1-800-251-8007
Fax (615) 373-6633

Reserve onderdelen voor de motor, transmissie, of verbindingas zijn verkrijgbaar via de erkende service centers van de desbetreffende leverancier. Deze zal vermeld staan in het telefoonboek. Kijk ook in de desbetreffende garantieverklaringen van deze onderdelen, hoe u eventueel reserve onderdelen kunt bestellen.

Bij de bestelling moet u de volgende gegevens vermelden:

- Model aanduiding
- Serienummer
- Onderdeelnummer
- Aantal

TROUBLESHOOTING SCHEMA

De motor slaat niet aan.

- Zorg dat er verse benzine in de tank zit. Gebruik alleen verse benzine.
- Druk de inspuitsknop (sommige modellen) vijf keer in.
- Vergewis u ervan dat de bougiekabel met de bougie verbonden is.
- Stel de carburateur in. Zie de handleiding voor de motor.
- Er bevindt zich te veel benzine in de cilinder. Verwijder de bougie en droog deze af. Trek verschillende keren aan het startkoord. Plaats de bougie weer terug. Start de motor.

- Het is moeilijk om de motor in dik of hoog gras te starten. Plaats de maaier op een droge en schone ondergrond.
- Zorg ervoor dat de motorstophendel in de werkstand gehouden wordt.
- Vergewis u ervan dat het benzine kraantje open (ON) staat. Zie de handleiding voor de motor.

De motor slaat niet af

- Laat de motorstophendel los.
- Controleer de motorstopkabel. Vervang deze indien hij geknikt of beschadigd is.

De motor werkt niet goed

- Controleer of de maaïhoogte goed is ingesteld. Stel deze hoger in als het gras hoog staat.
- Controleer de onderkant van de mesbehuizing. Verwijder gras en andere rommel.
- Controleer de bougiekabel. Zorg dat deze goed vast zit.
- Verwijder gras en andere rommel van de koelfinnen van de motor.
- Controleer dat de carburateur goed ingesteld is. Zie de handleiding voor de motor.
- Controleer de opening van de bougie. Deze moet 0,75 mm bedragen.
- Peil de olie in de motor en vul zonnodig bij.
- Controleer het luchtfilter van de motor. Zie de handleiding voor de motor.
- De benzine is niet goed meer. Tap deze af en maak de benzinetank schoon. Vul de tank met verse benzine.

De maaier trilt erg

- Verwijder het mes. Controleer het en en balanceer het uit, indien nodig. Zie de aanwijzingen onder Onderhoud van het mes.
- Controleer dat het mes niet gebogen of gebroken is. **EEN BESCHADIGD MES IS GEVAARLIJK EN MOET VERVANGEN WORDEN.**
- Controleer het mesverbindingstuk. **VERVANG EEN GEBROKEN MESVERBINDINGSTUK.**
- Als de machine nog steeds trilt, moet u de machine naar een erkend service center brengen.

Het gemaaid gras wordt niet goed uitgeworpen.

- Stop de motor en maak de maaibehuizing schoon.
- Controleer dat het mes niet ernstig versleten is. Vervang of slijp het mes. Vervang om veiligheidsredenen het mes elke twee jaar met een reserve exemplaar van de fabriek.

Het gras wordt niet egaal gemaaid.

- Controleer de hoogte instelling bij elk wiel. Deze moet bij elk wiel het zelfde zijn.
- Zorg dat het mes scherp is.
- Controleer dat het mes niet gebogen of gebroken is. **EEN BESCHADIGD MES IS GEVAARLIJK EN MOET VERVANGEN WORDEN.**
- Controleer het mesverbindingstuk. **VERVANG EEN GEBROKEN MESVERBINDINGSTUK.**

INDHOLD

INTERNATIONALE ILLUSTRATIONER	32
INFORMATION TIL EJEREN	33
SIKKER BRUG	33
SAMLING AF PLÆNEKLIPPEREN	34
BRUG	34
VEDLIGEHOJDELSE	34
PROBLEMLØSNINGSOVERSIGT	36

MURRAY, INC.

TO ÅRS BEGRÆNSET GARANTI

Murray, Inc. Garanterer til den oprindelige ejer at denne plæneklipper vil være fri for defekter i materialer og forarbejdning under normal brug og service i en periode af **to (2) år** fra købsdatoen; Imidlertid dækker denne garanti ikke motoren, tilbehør (så som sneslynge, sneklinger, opsamlingsposer og plove), gear, batterier og dele udsat for normalt slid (med undtagelse som beskrevet nedenfor) eller transaksler (kombination af gearkasse og differentiale), idet fabrikanterne for disse dele udsteder deres egne garantier og stiller service til rådighed gennem deres egne autoriserede værksteder. For yderligere information, se garantiene som dækker disse dele. Hvis De er usikker på om Deres plæneklipper har, eller er udstyret med, en eller flere af disse dele, ret henvendelse til deres forhandler eller indkøber. I henhold til betingelserne og forholdene i denne begrænsede garanti, skal vi, efter vor skøn, reparere eller udskifte alle dele dækket af denne begrænsede garanti under garantiperioden uden udgift til den op-

rindelige ejer.

I tilfælde af at batteriet viser sig at være defekt indenfor halvfems (90) dage fra købsdatoen, vil vi udskifte batteriet uden omkostning til ejeren. Hvis batteriet viser sig at være defekt efter halvfems (90) dage men indenfor ethundredeogtyve (120) dage fra købsdatoen, vil vi udskifte det for halvdelen (1/2) af gældende udsalgspris på tidspunktet for returneringen af batteriet.

Dele der er udsat for normalt slid er defineret som remme, klinger, klingekoblinger, dæk, lygter og sædebetræk. Disse dele er garanteret fri for defekter i materialer og forarbejdning ved levering af produktet. Enhver reklamation for en reparation eller udskiftning af dele udsat for normalt slid må foretages indenfor trediv (30) dage fra købsdatoen. Ingen reklamationer som involverer skade forårsaget af overdreven brug, misbrug eller forkert brug vil blive honoreret.

Denne **to(2) års begrænsede garanti udstedt af Murray, Inc.** er Deres eneste retsmiddel. Imidlertid er denne garanti ikke gældende, og dækker ikke, for plæneklippere der er blevet ændret ved, misbrugt eller brugt til udlejning eller anden kommerciel og/eller professionel (ikke-privat) brug. Deres garanti dækker ikke mindre mekaniske justeringer som ikke skyldes en defekt i materialer eller forarbejdning. For assistance med at foretage sådanne justeringer, henvises der til instruktionsbogen.

Hvis De ønsker at reklamere under denne **to (2) års begrænsede garanti udstedt af Murray, Inc.**, returner plæneklipperen (eller hvis autoriseret på forhånd, den defekte del) sammen med købskvittering til et autoriseret værksted i Deres område. For at finde nærmeste autoriserede

værksted, kontakt distributøren eller forhandleren i deres område opført i listen som kom med plæneklipperen, eller slå op i Deres lokale telefonbog. Hvis De returnerer hele plæneklipperen, vil den blive repareret. Hvis vi kun godkender returnering af den defekte del, vil vi enten udskifte eller reparere denne del. I tilfælde af defekt i gearet eller differentialet (til forskel fra transakslen), må hele gearet eller differentialet returneres, idet de indeholder dele der ikke kan repareres af brugeren.

Denne **to (2) års begrænsede garanti fra Murray, Inc.** giver Dem specifikke legale rettigheder. De har muligvis også andre rettigheder som er lokalt bestemte. **Denne begrænsede garanti erstatter all andre udtrykkelige eller indforståede garantier, inklusive garantier for videresalg og garantier for egnethed for brug til et bestemt formål.** Hvis De har behov for yderligere information om denne skriftlige garanti, eller assistance med at modtage service, skriv til:

HAYTER LIMITED,
Service Department,
Spellbrook,
Bishop's Stortford,
Hertfordshire. CM23 4BU.

MURRAY, INC.

International Sales
P.O. Box 268
Brentwood, Tennessee USA 37024
1-800-251-8007
Fax (615) 373-6633

INTERNATIONALE ILLUSTRATIONER

VIGTIGT: De følgende illustrationer er placeret på Deres plæneklipper eller i litteraturen som fulgte med. Før De bruger plæneklipperen, læs og forstå formålet med hver illustration.

BEMÆRK: Illustrationer begynder på side 2.

Advarsel- og sikkerhedsillustrationer (Figur 21)


- 1 Advarsel

- 2 VIGTIGT: Læs ejerens håndbog før brug af denne maskine.
- 3 ADVARSEL: Udslyngede genstande. Hold omkringstående væk. Læs brugerinstruktionerne før brug af denne maskine.
- 4 Klip ikke op og ned ad skråninger. Klip på tværs af skråninger.
- 5 FARE: Træd ikke her.
- 6 FARE: Hold fødder og hænder væk fra de roterende klinger.
- 7 Bekendtgjorde luftbårne lyd niveauer på 100 dB(A) i henhold til direktiv 2000/14/EF.
- 8 FARE: Afkobl tændrørsledningen før De arbejder på plæneklipperen.

- 9 FARE: Abn eller flyt ikke sikkerhedsskarmens motoren korer.

Instrument- og brugerillustrationer (Figur 22)

- 1 Langsomt
- 2 Hurtigt
- 3 Stop motor
- 4 Motorstart
- 5 Olie
- 6 Benzin
- 7 Fremad



MODEL NO.: 226111x52B **CE**

SKU No.: _____

YYYY MM DD: _____

SERIAL NO.: _____

3050 min-1

32 kg

Manufactured in Lawrenceburg, TN 38464, U.S.A.

Bekendtgjorde vibrationsniveauer i henhold til direktiv 98/37/EEC.

Vibrationsniveau i henhold til EN 836/A2:2001: **6.95** m/s².

Værdierne målt ved håndtaget mens maskinen er i brug stående på betonoverflade ved 3050 min-1.

Bekendtgjorde luftbårne lyd niveauer på 100 dB(A) i henhold til direktiv 2000/14/EF.

Lydtryksniveau i brugerposition **84** dB.

Værdier målt ved ørerne i henhold til specifikationerne i EN 836/A2:2001.

INFORMATION TIL EJEREN

Kend Deres produkt: Hvis De forstår plæneklipperens indretning og brug vil De få det bedste resultat. Mens De læser denne håndbog, sammenlign illustrationerne med plæneklipperen. Lær placeringen og funktionen af instrumenterne. For at forhindre en ulykke, følg brugerinstruktioner og sikkerhedsforholdsregler. Behold denne håndbog for senere brug.



ADVARSEL: Dette symbol viser vigtige sikkerhedsforholdsregler. Symbolet betyder: "Pas på! Vær på vagt! Sikkerhedsrisiko."

Ejerens ansvar



ADVARSEL: Denne slåmaskine er i stand til at amputere hænder og fødder og slynge genstande. Undladelse af at følge nedenstående sikkerhedsinstruktioner kan forårsage alvorlig skade eller død af brugeren eller omkringstående personer og dyr.

Det er ejerens ansvar at følge følgende instruktioner:

SIKKER BRUG

For at bruge plæneklippere med roterende klinger

Træning

1. Læs instruktionerne omhyggeligt. Vær bekendt med instrumenterne og korrekt brug af udstyr.
2. Lad aldrig børn eller andre som ikke er bekendt med disse instruktioner bruge plæneklipperen. Der kan være lokale regler for brugerens alder.
3. Slå aldrig græs når andre personer, især børn, eller kæledyr er i nærheden.
4. Husk at brugeren er ansvarlig for situationer og ulykker som opstår til fare for andre personer og deres ejendom.

Forberedelse

1. Mens De klipper, bær altid kraftigt fodtøj og lange bukser. Brug ikke maskinen og redskaber når De har bare fødder eller går med åbne sandaler.
2. Kontroller grundigt området hvor plæneklipperen skal bruges og fjern alle genstande som maskinen kan slynge omkring.
3. **ADVARSEL - Benzin er uhyre brændbart.**

- a. Opbevar benzin i en beholder beregnet til dette formål.
 - b. Fyld kun benzin på udendørs og ryg ikke mens benzinen påfyldes.
 - c. Fyld benzin på før De starter motoren. Tag aldrig dækslet af benzintanken eller fyld benzin på mens motoren kører eller er ophedet.
 - d. Hvis De spilder benzin, start ikke motoren. Sæt i stedet plæneklipperen væk fra området med spildet og undgå at skabe gnister indtil benzinen er fordampet.
 - e. Sæt alle benzintanks- og beholderdæksler sikkert på.
4. Udskift beskadiget lydpotte.
 5. Før brug, kontroller altid visuelt at klingerne, klingskruerne og klippeenheden ikke er slidte eller beskadigede. Udskift slidte eller beskadigede klinger og skruer i sæt for at bevare balancen i systemet.
 6. På plæneklippere med flere klinger, vær opmærksom på at een roterende klinge kan få andre klinger til at rotere.

Brug

1. Brug ikke motoren i et aflukket område hvor farlige kuloxyddampe ikke kan undslippe.
2. Slå kun i dagslys eller god belysning.
3. Undgå, om muligt, at bruge plæneklipperen i vådt græs.
4. Hav altid godt fodfæste på skråninger.
5. Løb aldrig - gå
6. For maskiner med roterende klinger, slå på tværs af skråninger; aldrig op og ned af skråninger
7. Udvis ekstra opmærksomhed når De skifter retning på en skråning.
8. Slå ikke på meget stejle skråninger.
9. Vær ekstra opmærksom når De går baglæns eller trækker maskinen.
10. Stop klingerne hvis plæneklipperen skal vippes for at krydse overflader andre end græs, og når plæneklipperen transporteres til og fra området der skal slås.
11. Brug aldrig plæneklipperen med beskadigede beskyttelseskærme eller når beskyttelsesudstyr, for eksempel skærme og/eller opsamlingsposer, ikke er på plads.
12. Ændre ikke på motorens hastighedsregulator eller forårsag overdreven hastighed af motoren.
13. Udkobl all klinger og drivkraft til tilbehør før motoren startes.
14. Start motoren eller sæt motoren til i henhold til instruktionerne og med fødderne i sikker afstand fra klingerne.

15. Vip ikke plæneklipperen når motoren startes eller når motoren sættes til, undtagen hvis det er nødvendigt for at starte. Hvis det er nødvendigt at vippe plæneklipperen, vip da ikke mere end absolut nødvendigt og løft kun den del som er væk fra brugeren.
16. Start ikke motoren stående udfor udslyngningsåbningen.
17. Sæt ikke hænder eller fødder nær eller under roterende dele. Stå aldrig foran udslyngningsåbningen.
18. Bær eller løft aldrig plæneklipperen mens motoren kører.
19. Stop motoren og frakobl tændrørsledningen.
 1. før en forstoppet udslyngningsåbning renses;
 2. før De kontrollerer, renses eller arbejder på plæneklipperen;
 3. efter at have ramt en genstand. Kontroller plæneklipperen for beskadigelse og foretag reparationer før motoren startes igen og før plæneklipperen tages i brug;
 4. hvis plæneklipperen vibrerer unormalt (kontroller omgående).
20. Stop motoren
 1. hver gang plæneklipperen forlades;
 2. før benzin fyldes på.
21. Nedsæt motorhastigheden når motoren skal slås fra og, hvis plæneklipperen er udstyret med en benzinhane, drej benzintilførelsen fra når De er færdig med at slå.
22. Vær ekstra forsigtig når De nærmer Dem hjørner uden udsyn, beplantning, træer eller andre genstande der kan hindre udsynet.

Vedligeholdelse og opbevaring

1. Hold alle møtrikker, bolte og skruer spændt for at sikre at udstyret er i forsvarlig brugbar stand.
2. Opbevar aldrig udstyr med benzin i tanken i en bygning hvor dampene kan komme i kontakt med en åben flamme eller gnist.
3. Lad motoren afkøle før opbevaring i et indelukke.
4. For at nedsætte brandfare, hold motoren, lydrottten, batteriet og området hvor benzin opbevares frit for græs, blade og megen fedt.
5. Kontroller opsamlingsposen med jævn mellemrum for slid og forfald.
6. Af sikkerhedshensyn, udskift slidte eller beskadigede dele.
7. Hvis benzintanken skal tømmes bør dette foregå i åben luft.

SAMLING AF PLÆNEKLIPPEREN

BEMÆRK: Illustrationer begynder på side 2.

Instruktioner for udpakning

Plæneklipperen er leveret samlet fra fabrikken. Da plæneklipperen blev pakket blev håndtaget sat i positionen for opbevaring. For at sætte håndtaget i brugerposition, følg disse trin:

1. **(Figur 1)** Tag plæneklipperen ud af indpakningen.
2. Sæt det **lave håndtag (1)** i brugerposition. Vær sikker på, at det lave håndtag sidder mellem låsebeslagene (2).
3. Sæt det **øverste håndtag (3)** i brugerposition. Spænd **knapperne (4)**.

FORSIGTIG: Vær forsigtig når De sænker eller løfter håndtaget. Beskadig ikke kablerne. Et kabel der er bøjet vil ikke fungere korrekt. Udskift bøjede eller beskadigede kabler før De bruger plæneklipperen.

4. **(Figur 7)** Sæt **sikkerhedshåndtaget (1)** til ENGAGED position.
5. **(Figur 2)** For at fastgøre **snoretrækshåndtaget (1)** til **snorsporet (2)**, bøj snoren igennem **snorsporet (2)** som er monteret på højre side af håndtaget.

BEMÆRK: Hvis De ikke kan fastgøre snoretrækshåndtaget fordi snoren er for kort, skal De holde sikkerhedshåndtaget mod håndtaget. Træk så snoretrækshåndtaget langsomt tilbage.

Justering af håndtagets højde

(Figur 3 og Figur 4) Håndtagets konsol (1) har to samlingspositioner. En **HØJ (3)** og en **LAV (4)** position. Den **HØJE (3)** position løfter håndtaget cirka fire tommer op.

1. **(Figur 1)** Fjern **vingemøtrikker (6)** og bolte fra højre og venstre **håndtagskonsol (2)**.
2. **(Figur 3)** For at løfte håndtaget, skal det **lave håndtag (1)** placeres i den **HØJE (3)** position.
3. **(Figur 4)** For at løfte håndtaget, skal det **lave håndtag (1)** placeres i den **LAVE (4)** position.
4. **(Figur 1)** Det **lave håndtag (1)** tilsluttes **håndtagskonsollerne (2)** med bolte og **vingemøtrikker (6)**.

Forberedelse af motoren

Bemærk: Motoren indeholder ikke OLIE eller BENZIN



ADVARSEL: Følg motorfabrikantens instruktioner for hvilken type benzin og olie der skal bruges.

Brug altid en forsvarlig benzinbeholder. Ryg ikke mens der fyldes benzin på. Fyld ikke benzin på, når De er i et indelukke. Stop motoren før der fyldes benzin på. Lad motoren køle i adskillige minutter.

BEMÆRK: Faktiske vedvarende hestekrafter vil sandsynlig være lavere på grund af funktionsbegrænsninger og omgivelsesfaktorer. Følg motorfabrikantens instruktioner for hvilken type benzin og olie der skal bruges. Læs informationen om sikkerhed, brug, vedligeholdelse og opbevaring før De bruger plæneklipperen.

F-050445L

Montering og afmontering af kompostkværnen



ADVARSEL: Afkobl tændrørsledningen før De monterer eller afmonterer kompostkværnen,

På nogle modeller er kompostkværnen installeret af fabrikken. For at skifte fra kompostkværnen til udslyngning til siden, tag kompostkværnen af. En plæneklipper med udslyngning til siden kan skiftes til en kompostkværn ved at monterer kværnen som følger:

1. **(Figur 6)** Løft **udslyngningsskærmen (1)**.
2. Monter **fligen (3)** øverst på **kompostkværnen (2)** inde i plæneklipperhuset.
3. **(Figur 5)** Monter **fligen (4)** nederst på **kompostkværnen (2)** inde i plæneklipperhuset.
4. Sænk **udslyngningsskærmen (1)**.

Kværnetips

Fin kværning skærer græsset således at det nemt kan bruges. Da næringsstofferne vender tilbage til jorden, vil plænen behøve mindre kunstgødning. For korrekt kværning af græsset, gør som følger.

- Græsset må være tørt. Hvis græsset er vådt, er det svært at skære og vil forårsage tunge klumper af græs.
- Græsset må ikke være for højt. Maximum-højden for at skære effektivt er 11,5 cm. Sæt højderegulatoren således at kun den øverste tredjedel af græsset bliver skåret af.
- Hvis græsset er mere end 11,5 cm højt må der klippes to gange. Ved den første klipning sæt højdejusteringen til den højeste position. Sænk derefter højdejusteringen for den anden slåning.
- Hold klingerne skarpe. En klinge der ikke er skarp vil forårsage at græsspidserne bliver brune.
- Rens undersiden af klippeenheden. Græs og andet affald kan forhindre plæneklipperen i at fungere korrekt.

Hvis kvaliteten af slåningen er mindre god, prøv følgende:

- Sæt højdejusteringen til en højere slåhøjde.
- Slå græsset oftere.
- Gå langsommere med plæneklipperen.
- Lad de slåede baner overlape i stedet for at slå en ny bane i fuld bredde.
- Slå de mindre gode områder een gang til.

BRUG

BEMÆRK: Illustrationer begynder på side 2.

Sikkerhedshåndtaget (Figur 7)

Giv slip på **sikkerhedshåndtaget (1)** og motoren og klingerne vil automatisk stoppe. For at lade motoren køre, hold **sikkerhedshåndtaget (1)** i **brugerposition (2)**.

Brug **sikkerhedshåndtaget(1)** adskillige gange før motoren startes. Vær sikker på, at kablet bevæger sig uden besvær.

Stop af motoren (Figur 7)

For at stoppe motoren, giv slip på **sikkerhedshåndtaget(1)**. Frakobl tændrørsledningen for at forhindre motoren i at starte.

Hvis motoren ikke stopper, hold da en skrue-trækker mod tændrøret og mod motorens ventilatorgitter. Gnisten vil gå til jord og motoren vil stoppe. Kontrollér Bowdenkablet før De starter motoren. Vær sikker på, at Bowdenkablet er sat korrekt sammen. Udskift et bøjet eller beskadiget Bowdenkabel før plæneklipperen tages i brug.

Forhjulstrækket (Figur 8)

Plæneklipperen har forhjulstræk. Driftssystemet skal betjenes på følgende måde.

1. Hold **sikkerhedshåndtaget (1)** i OPERATING position.
 2. Tryk **kørehåndtaget (2)** så langt frem som muligt. Når **kørehåndtaget (2)** klikker, gives der slip på **kørehåndtaget (2)**. Driftssystemet er nu sat i gang.
- BEMÆRK: Giv slip på sikkerhedshåndtaget, for at standse motoren.**
3. Giv fuldstændigt slip på **sikkerhedshåndtaget (1)** for at udkoble driftssystemet og standse motoren.
 4. Lad **sikkerhedshåndtaget (1)** slippe cirka to tommer op for kun at udkoble driftssystemet. Driftssystemet vil nu udkobles, men motoren vil fortsætte med køre.



ADVARSEL: For at sikre forsvarlig brug, må træksystemet øjeblikkeligt slås fra, når der gives slip på kørehåndtaget. Hvis træksystemet ikke slås fra korrekt, brug ikke plæneklipperen før træksystemet er blevet justeret eller repareret af et autoriseret værksted.

Start af motoren (Figur 9 og Figur 10)



ADVARSEL: Klingerne vil rotere når motoren kører.

1. Kontrollér olien.
 2. Fyld benzintanken med almindelig blyfri benzin. Se "Forberedelse af motoren".
 3. Sæt gassen til FAST position.
 4. Vær sikker på at tændrørsledningen er tilsluttet tændrøret.
 5. Vær sikker på, at sikkerhedshåndtaget er i DISENGAGED position.
 6. **(Figur 9) Chokerknappen (1)** sidder på siden af motoren. Tryk fem gange på **chokerknappen (1)**. Vent to sekunder hver gang **chokerknappen (1)** trykkes.
- BEMÆRK: Brug ikke chokerknappen når De starter en varm motor.**
7. **(Figur 10)** Stå bagved plæneklipperen. Hold med den ene hånd **sikkerhedshåndtaget(1)** fast i brugerposition som vist. Brug den anden hånd til at holde **håndtaget (2)** på **snoretrækket**.
 8. Træk hurtigt i **snoretrækket (2)**. Giv langsomt slip på **snoretrækshåndtaget (2)**.
 9. Hvis motoren ikke starter efter 5 eller 6 forsøg, se da "problemløsningsoversigten".

VEDLIGEHODELSE

BEMÆRK: Illustrationer begynder på side 2.

Motorvedligeholdelse

Brug det følgende afsnit om vedligeholdelse til at holde Deres plæneklipper i god brugerstand. Al vedligeholdelsesinformation for motoren findes i "Motorinstruktionsbog". Læs denne bog før De starter motoren.



ADVARSEL: Frakobl tændrørsledningen fra tændrøret før De kontrollerer, justerer (undtaget karburatoren) eller reparerer.

Vende motor rundt (Figur 20)

Hvis du servicere motoren, inspicere klingen eller vasker klipperhusets underside; sørg for at motoren altid vendes med tændrøret opad. Hvis motoren transporteres eller vendes med tændrøret nedad, kan det medføre:

- Hård start.
- Røg fra motoren.
- Tændrørsproblemer.
- Olie- eller gassaturering af gasfilteret.

Smøring

1. For maksimal ydeevne, smør hjulene og alle drejepunkter med motorolie efter hver 25 timers brug.
2. For smøring af motoren, se "Motorinstruktionsbog".

BEMÆRK: Smør ikke Bowdenkablet. Smøring vil forårsage skade på kablet og forhindre det i at bevæge sig frit. Udskift kablet hvis det er bøjet eller beskadiget.

Rensning af klippeenheden



ADVARSEL: Klingerne roterer når motoren kører. Stop motoren og frakobl ledningen til tændrøret, før De renser klippeenheden.

Græs og andet affald kan forhindre plæneklipperen i at fungere korrekt. Efter slåning, rens klippeenheden som følger.

1. Stop motoren.
2. Frakobl ledningen til tændrøret.
3. Rens toppen og bunden af klippeenheden.

Justering af klippehøjden (Figur 11)



ADVARSEL: Klingerne roterer når motoren kører. Frakobl ledningen til tændrøret, før De ændre slåhøjden.

For at ændre klippehøjden, flyt positionen af justerarmen (1) ved hvert hjul. Vær sikker på at hver justerarm (1) er i samme position, således at plæneklipperen klipper jævnt.

1. Sæt justerarmen (1) i fristilling.
2. Sæt justerarmen (1) til en anden position.

Afmontering af kileremmen

For at afmontere kileremmen, gør som følger



ADVARSEL: Frakobl ledningen til tændrøret før De afmonterer kileremmen.

1. (Figur 13) Afmonter kileremsskærmen (1).
2. (Figur 14) Løsgør remspændingsbolten (2).

F-050445L

3. Fjern det forreste af kileremmen (3) fra transmissionsremskiven (4).
4. (Figur 15) Ved fjernelse af det bageste af o kileremmen (3), glides kileremmen (3) over det bageste af klingene (4).

BEMÆRK: Sørg for kun at udskifte kileremmen med en tilsvarende rem fra fabrikken.

5. Ved samling af kileremmen (3), udføres ovenstående punkter modsat.
6. (Figur 16) Indstil remspændingen.
 - a. Stram justeringsmøtrikken (5) til møtrikken rører mellemringen (6). Forsøg at dreje mellemringen (6). Når justeringsmøtrikken (5) rører mellemringen (6), kan mellemringen (6) ikke drejes.
 - b. Løsn derefter justeringsmøtrikken (5) tilstrækkeligt til, at mellemringen (6) kan dreje. Spændingen på kileremmen (3) er nu korrekt.
7. (Figur 13) Montér kileremsskærmen (1).
8. Før De begynder at slå sikre Dem at forhjulstrækket frakobler korrekt og at plæneklipperen vil stoppe. Hvis forhjulstrækket ikke vil frakoble, tag plæneklipperen til et autoriseret serviceværksted før plæneklipperen igen tages i brug.

Justering af trækkablet (Figur 12)



ADVARSEL: Frakobl motorens stophåndtag og lad motoren stoppe, før trækkablet justeres.

Hvis træksystemet ikke tilkobler og frakobler korrekt, skal håndtaget kontrolleres for korrekt samling. Sørg for at alle dele er i god stand, ikke knækket eller bøjet, og at alle stramninger er strammet.

Slidte dele og kabelstræk vil ændre præstationen af remsystemet. Når du slår græs i højt eller tykt græs eller på skråninger, kan remsystemet glide. Hvis remsystemet glider, justeres som følger, eller tag plæneklipperen til et autoriseret servicecenter.

VIGTIGT: Før motoren startes, betjenes motorens stophåndtag flere gange. Sørg for at motorens stopkabel kan bevæges frit. **BEMÆRK:** Motorens design inkluderer ikke justering af gaskontrol eller motorens hastighed. Motoren er indstillet til den bedste hastighed til græsslåning, opsamling af græs og til forlænget motorlevetid.

1. Hvis træksystemet glider, drejes kabeljusteringen (1) én omgang i retningen, som vist på illustrationen. Afprøv træksystemet og kontroller for glidning.
2. Hvis træksystemet stadig glider, drejes kabeljusteringen (1) en omgang mere for at afkorte kablet. Afprøv træksystemet igen.
3. Gentag justeringen og afprøv, til træksystemet ikke glider.
4. Før græsset slås, bør det kontrolleres at træksystemet frakobler korrekt, og at plæneklipperen stopper. Hvis træksystemet ikke frakobler, skal plæneklipperen bringes til et autoriseret servicecenter, før den anvendes.

Udskiftning af kværnklingen

En plæneklipper med kværnfunktion er udstyret med en speciel kværnklinge. Hvis kværnklingen bliver slidt eller beskadiget, udskift den med en original kværnklinge. En standardklinge vil ikke skære korrekt og kan forårsage en ulykke.

Klingevedligeholdelse



ADVARSEL: Flyt tændrørsledningen fra tændrøret før De kontrollerer klingen eller klinge koblingen.

Stop motoren hvis klingen rammer en genstand. Flyt tændrørsledningen fra tændrøret. Kontrollér plæneklipperen for beskadigelse.

Kontrollér regelmæssigt klingen for slid og beskadigelse, såsom revner. Kontrollér regelmæssigt bolten som holder klingen. Hold bolten spændt. Hvis klingen rammer en genstand, stop motoren. Flyt ledningen fra tændrøret. Kontrollér klinge koblingen for beskadigelse. Kontrollér for en bøjet eller beskadiget klinge, en slidt klinge, eller anden skade. Beskadigede dele må udskiftes med originale dele, før De bruger plæneklipperen igen. Af sikkerhedshensyn, udskift klingerne hvert andet år. Hold klingerne skarpe. Klinger der ikke er skarpe vil forårsage at græsspidserne bliver brune. Afmonter klingen som følger.

Afmontering af klingen (Figur 17 og Figur 18)



ADVARSEL: Afmonter ledningen til tændrøret før De afmonterer klingen. Klingen har skarpe kanter.

Brug handsker eller andet klæde når De håndterer klingen.

1. Tøm benzintanken.
2. Løft den side af plæneklipperen hvor lyd-dæmperen eller tændrøret sidder.
3. Brug et stykke træ til at forhindre klingen i at rotere.
4. Tag bolten (1) der holder klingen (2) af.
5. Kontrollér klingen i henhold til instruktionerne i "Klingevedligeholdelse". Udskift en beskadiget eller meget slidt klinge med en original reserveklinge.
6. Montér klingen med de buede sider mod klippekassen. Hvis klingen sidder på hovedet, vil klingen ikke klippe korrekt og kan forårsage en ulykke.
7. Fastgør klingen (2) med de originale skiver (3 og 4) og bolten (1). Vær sikker på, at ydersiden af Belleville skiverne (4) vender mod klingen (2).
8. Spænd bolten (1) som holder klingen (2) spændt til et moment på 27 pund.



ADVARSEL: Hold altid bolten (1) der holder klingen (2) spændt. En løs bolt (1) eller klinge (2) kan forårsage en ulykke.

Kontrollér niveauet af klipningen.

Prøv plæneklipperen på et lille område. Hvis klippehøjden ikke er jævn, eller hvis det klippede græs ikke bliver slynget ud, kan det skyldes: (1) at klingen er bøjet eller beskadiget, (2) klingen ikke er skarp, (3) en slidt klinge, (4) eller en beskadiget klinge kobling. Udbedre problemet før plæneklipperen tages i brug.

Foldning af håndtaget for opbevaring. (Figur 19 og Figur 1)

FORSIGTIG: Vær forsigtig når De folder eller løfter håndtaget. Beskadig ikke kablerne. Et kabel der er bøjet vil ikke fungere korrekt. Udskift et bøjet eller beskadiget kabel, før plæneklipperen tages i brug.

Foldning af håndtaget

- (Figur 19)** Løs de skruer og møtrikker der holder den øverste og nederste del af håndtaget sammen. Når De folder håndtaget sammen, vær sikker på at kablet ikke sidder rundt om de løse skruer og ikke bliver beskadiget. Skub den øverste del af håndtaget mod bagenden af plæneklipperen.
- (Figur 1)** Løs spændskiverne på det **lave håndtag (1)**. Skub ind på begge sider af det **laveste håndtag (1)**. Flyt enderne af det **laveste håndtag (1)** forbi låsebeslagene **(2)**.
- Skub håndtaget fremad over motoren. Vær sikker på, at kablerne ikke er beskadiget.

Løftning af håndtaget

- Træk håndtaget bagud indtil enderne på det **laveste håndtag (1)** låses i position
- Løft den øverste del af håndtaget til bruger position. Spænd skrueerne som holder håndtaget.

Forberedelse af plæneklipperen for opbevaring



ADVARSEL: Tøm ikke benzinen mens De er indeni en bygning, nær ild eller mens De ryger. Benzindampe kan forårsage en eksplosion eller en brand.

- Tøm benzintanken.
- Lad motoren køre til den løber tør for benzin.
- Tøm olien fra den varme motor. Fyld motorblokken med ny olie.
- Afmontér tændrøret fra cylinderen. Hæld tre cc olie ind i cylinderen. Træk langsomt i snoretrækket, således at olien vil beskytte cylinderen. Montér et nyt tændrør i cylinderen.
- Rens snavs og affald fra cylinderens ventilatorblade og motorblokken.
- Rens bunden af klippeenheden.
- Rens plæneklipperen fuldstændigt for at beskytte malingen.
- Opbevar plæneklipperen i en bygning med god ventilation.

Bestilling af reservedele

Reservedele er vist enten på de sidste sider af denne instruktionsbog eller i en separat reservedelsbog.

Brug kun reservedele der er godkendt eller autoriseret af fabrikanten. Bogstavet som afslutter reservedelsnummeret indikerer hvilken type finish reservedelen har, C for forkromning, Z for forzinkning og PA for indkøbt del. Det er vigtigt, at de inkluderer denne betegnelse når De bestiller en reservedel. Brug ikke tilbehør eller dele som ikke er udtrykkeligt anbefalet til denne plæneklipper. For at modtage den rigtige reservedel, må De opgive modelnummeret på Deres plæneklipper (se navneskiltet).

Reservedele, undtaget til motoren, gearet, transakslen og differentialet, kan fås i den butik hvor plæneklipperen blev købt, eller hos et værksted anbefalet af butikken.

Hvis De ikke er i stand til at få reservedele eller service som beskrevet ovenfor, kontakt da:

HAYTER LIMITED,
Service Department,
Spellbrook,
Bishop's Stortford,
Hertfordshire. CM23 4BU.

MURRAY, INC.

International Sales
P.O. Box 268
Brentwood, Tennessee USA 37024
1-800-251-8007
Fax (615) 373-6633

Reservedele til motoren, transakslen og differentialet kan fås hos fabrikantens autoriserede værksteder som er listet i telefonfagbogen.

Se også de separate motor og gear garantier for bestilling af reservedele.

Ved bestilling er følgende information nødvendig:

- (1) Modelnummeret
- (2) Serienummer
- (3) Reservedelsnummer
- (4) Antal

PROBLEMLØSNINGSOVERSIGT

Motoren vil ikke starte.

- Vær sikker på, at benzintanken er fyldt med ren benzin. Brug ikke gammel benzin.
- Sæt gashåndtaget til FAST eller START position.
- Med en kold motor, tryk chokerknappen (nogle modeller) fem gange.
- Vær sikker på, at tændrørsledningen er forbundet til tændrøret.
- Juster karburatoren. Se "Motorinstruktionsbog"
- Der er for meget benzin i motorens cylinder. Afmontér og tør tændrøret. Træk i snoretrækket flere gange. Montér tændrøret. Forbind tændrørsledningen til tændrøret. Start motoren.
- Motoren er svær at starte i tungt eller højt græs. Flyt plæneklipperen til en ren tør overflade.
- Vær sikker på at sikkerhedshåndtaget er i bruger position.

- Vær sikker på, at benzinhanen er i ON position. Se "Motorinstruktionsbog".

Motoren vil ikke stoppe.

- Giv slip på sikkerhedshåndtaget.
- Kontrollér Bowdenkablet. Udskift kablet hvis det er bøjet eller beskadiget.

Motoren ydeevne er nedsat.

- Kontrollér klippehøjden. Løft klippehøjden hvis græsset er højt.
- Kontrollér bunden af klippeenheden. Rens klippeenheden for græs og andet affald.
- Rens tændrørsledningen. Vær sikker på, at ledningen er forbundet.
- Rens motorens ventilatorblade for græs og andet affald.
- Kontrollér justeringen af karburatoren. Se "Motorinstruktionsbog".
- Kontrollér elektrodeafstanden på tændrøret. Sæt elektrodeafstanden til 0.012 cm (0.030").
- Kontrollér mængden af olie i motoren. Om nødvendigt, fyld olie på.
- Kontrollér motorens luftfilter. Se "Motorinstruktionsbog".
- Benzinen er dårlig. Tøm og rens benzintanken. Fyld benzintanken med ren benzin.
- Kontrollér gashåndtaget. Vær sikker på, at håndtaget ikke er i CHOKE position.

Overdreven vibration.

- Afmontér klingens. Om nødvendigt, Kontrollér klingens og balancen. Se instruktioner om klingevedligeholdelse.
- Kontroller om klingens er bøjet eller beskadiget. EN BESKADIGET KLINGE ER FARLIG OG MÅ UDSKIFTES.
- Kontrollér klingekoblingen. UDSKIFT EN BESKADIGET KLINGEKOBLING.
- Tag plæneklipperen til et autoriseret værksted hvis vibrationen fortsætter.

Græsset bliver ikke udslynget korrekt

- Rens bunden af klippeenheden
- Kontrollér om klingens er meget slidt. Afmontér og skærp klingens. Af sikkerhedshensyn bør De udskifte klingens hvert andet år med originale reservedelklinger.
- Sæt gashåndtaget til FAST position. Kontrollér motorhastigheden i henhold til "Motorinstruktionsbog".

Græsset er klippet ujævnt

- Kontrollér højdejusteringen ved hvert hjul. Højden må være sat ens ved hvert hjul.
- Vær sikker på, at klingens er skarp.
- Kontroller om klingens er bøjet eller beskadiget. EN BESKADIGET KLINGE ER FARLIG OG SKAL UDSKIFTES.
- Kontrollér om klingekoblingen er beskadiget. UDSKIFT EN BESKADIGET KLINGEKOBLING.

INNHold

INTERNASJONALE SYMBOLER	37
BRUKERINFORMASJON	38
SIKKERHETSINSTRUKSER	38
MONTERING	39
DRIFT	39
VEDLIKEHOLD	40
FEILSØKING	41

TOÅRIG GARANTI FRA MURRAY, INC.

Murray, Inc. garanterer den opprinnelige kjøper at denne enheten er fri for mangler i materiale og utførelse ved normal bruk og normalt vedlikehold i en periode på **to (2) år** fra kjøpedato. Denne garantien gjelder dog ikke motor, tillegg-utstyr (f.eks. snøfreser, snøplog, gressopp-samler og ploger), transmisjon, batterier og deler som normalt utsettes for slitasje (unntatt de nevnt nedenfor) eller transakselene. Fabrikantene av disse delene utsteder selv garantier, og tilbyr service gjennom sine godkjente serviceverksteder på stedet. Du finner mer informasjon i garantiene som dekker de enkelte delene. Hvis du er usikker på om din enhet inneholder eller er utstyrt med en eller flere av disse delene, bør du rådføre deg med forhandleren før endelig kjøp. Innenfor de vilkårene og betingelsene som er framsatt i denne garantien, vil vi i løpet av garanti-perioden enten reparere eller skifte ut (etter vår vurdering) deler som dekkes av garantien,

uten omkostninger for den opprinnelige kjøperen.

Dersom batteriet viser seg å være defekt etter nitti (90) dager, men innen ett hundre og tjue (120) dager fra kjøpedato, vil vi erstatte batteriet for en sum tilsvarende halvdel av veiledende pris ved retur.

Deler som utsettes for normal slitasje, defineres som belter, kniver, bladadaptere, trykkluftdekk, frontlys og setetrekk. Det garanteres at disse delene er fri for mangler i materiale og utførelse ved levering av produktet. Krav om reparasjon eller erstatning av deler som utsettes for normal slitasje, må framsettes senest tretti (30) dager etter kjøpedato. Krav som involverer skade som skyldes materiell bruk eller misbruk, vil ikke etterkommes.

Denne **toårige garantien fra Murray, Inc.** utgjør ditt eneste rettsmiddel. Garantien gjelder imidlertid ikke for enheter som er blitt tuklet med, endret, misbrukt eller brukt til utleie eller andre kommersiell og/eller forretningsmessig anvendelse (dvs. annet enn til privat bruk). Garantien dekker ikke mindre mekaniske justeringer som ikke skyldes defekter i materiale eller utførelse. Slå opp i instruksjonsboken hvis du trenger hjelp til å foreta slike justeringer.

Hvis du skal framsette et krav under den **toårige garantien fra Murray, Inc.**, skal enheten (eventuelt kun den defekte delen, hvis dette er avtalt på forhånd) returneres sammen med kvittering til nærmeste godkjente serviceverksted. Ring til hoveddistributøren av deler i ditt område for å finne ut hvor nærmeste serviceverksted ligger.

Navnet finner du enten i den listen som følger med enheten, eller i de gule sider i telefonkatalogen. Dersom du returnerer hele enheten, vil enheten bli reparert. Dersom du har fått beskjed om bare å returnere den defekte delen, vil denne bli enten skiftet ut eller repareres. Ved feil i gir-kassen eller differensial (til forskjell fra en transaksel) må hele gir-kassen/differensialen returneres siden disse ikke har deler som kan vedlikeholdes av bruker.

Denne **toårige garantien fra Murray, Inc.** gir deg spesifikke juridiske rettigheter i tillegg til kjøpsloven og angrefristloven. **Denne garantien erstatter alle andre uttrykte eller underforståtte garanter, inkludert en underforstått garanti om salgbarhet og anvendelighet til et bestemt formål.** Dersom du vil ha mer informasjon om denne skriftlige garantien eller trenger hjelp til å få utført service, kan du kontakte:

HAYTER LIMITED,
Service Department,
Spellbrook,
Bishop's Stortford,
Hertfordshire. CM23 4BU.

MURRAY, INC.
International Sales
P.O. Box 268
Brentwood, Tennessee USA 37024
1-800-251-8007
Fax (615) 373-6633

INTERNASJONALE SYMBOLER

VIKTIG: Følgende symboler finner du på din enhet eller i de anvisningene som medfølger produktet. Før du tar enheten i bruk, bør du gjøre deg kjent med og forstå hensikten med hvert symbol.

MERK: Illustrasjonene og symbolene begynner på side 2.

Sikkerhetssymboler (Figur 21)

1 Advarsel

- VIKTIG: Les brukerhåndbøkene før denne maskinen tas i bruk.
- ADVARSEL: Fare for at gjenstander slynges ut. Hold tilskuere på god avstand. Les bruksanvisningen før denne maskinen tas i bruk.
- Klipp ikke opp og ned hellinger. Klipp alltid på tvers av hellinger.
- FARE: Ingen trappetrinn.
- FARE: Hold hender og føtter i god avstand fra roterende kniver.
- Deklarerte flybårne lydeffektnivåer på 100 dB(A) er i overensstemmelse med direktiv 2000/14/EF.

- FARE: Kople fra tennplugg før vedlikehold.
- FARE: Sikkerhetsvern må ikke apnes eller fjernes mens motoren kjører.

Kontroll- og betjeningssymboler (Figur 22)

- Sakte
- Hurtig
- Stopp motoren
- Starte motoren
- Olje
- Drivstoff
- Forover

MODEL NO.: 226111x52B



SKU No.:

YYYY MM DD: _____

SERIAL NO.:

3050 min-1

32 kg

Manufactured in Lawrenceburg, TN 38464, U.S.A.

Deklarete verdier for vibrasjon er i overensstemmelse med EU-direktiv 98/37/EC.

Vibrasjon i overensstemmelse med EN 836/A2:2001: 6.95 m/s².

Målingene ble foretatt ved håndtaket mens maskinen var parkert på et betongunderlag ved 3050 min-1.

Deklarete flybårne lydeffektnivåer på 100 dB(A) er i overensstemmelse med direktiv 2000/14/EF.

Lydtrykk i førerposisjon 84 dB.

Verdiene er målt ved ørene i henhold til spesifikasjonene i EU-direktiv EN 836/A2:2001.

BRUKERINFORMASJON

Kjenn ditt produkt: Hvis du forstår produktet og vet hvordan det fungerer, vil du oppnå best resultat. Les gjennom denne håndboken mens du følger med på figurene. Lær deg hvor de ulike styreanordningene er plassert og hvordan de fungerer. Følg drifts- og sikkerhetsinstruksene nøye for å forhindre ulykker. Oppbevar denne håndboken for evt. fremtidig bruk.



ADVARSEL: Se etter dette symbolet for å ivareta viktige sikkerhetsregler. Dette symbolet betyr: "Advarsel! Vær på vakt! Din sikkerhet er i fare!"

Eiers ansvarsområde



ADVARSEL: Denne gressklipperen er i stand til å amputere hender og føtter samt kaste ut gjenstander. Ved ikke å følge disse sikkerhetsreglene, kan resultatet bli alvorlig skade eller dødsfall for operatøren eller tilskuere.

Eieren er ansvarlig for å rette seg etter følgende instruksjoner.

SIKKERHETSINSTRUKSER

For manuelt styrte gressklippere med roterende kniv(er)

Opplæring

- Les nøye gjennom instruksene. Gjør deg kjent med styreanordninger og riktig bruk av utstyret.
- La aldri barn eller personer som ikke er gjort kjent med disse instruksene, bruke gressklipperen. Lokale bestemmelser kan regulere aldersgrensen for bruk av maskinen.
- Klipp aldri når andre, spesielt barn eller kjæledyr, er i nærheten.
- Vær oppmerksom på at den som bruker maskinen er ansvarlig for ulykker eller skader som måtte oppstå på andre personer eller deres eiendom.

Klargjøring

- Bruk alltid solid fottøy og langbukser ved klipping. Gå aldri barbent eller med åpne sandaler.
- Inspiser klippeområdet nøye før klipping og fjern alle gjenstander som kan kastes ut fra maskinen.
- ADVARSEL - Bensin er meget brannfarlig.**
 - Oppbevar drivstoff i dertil egnet beholder.

- Fyll alltid drivstoff utendørs. Ikke røyk under fylling av drivstoff.
 - Fyll drivstoff før start av maskinen. Fjern aldri tanklokket eller fyll bensin når motoren er i gang eller er varm.
 - Ved bensinsøl, ikke forsøk å starte motoren, men flytt maskinen vekk fra området med bensinsøl. Unngå å starte maskinen før bensinavgassene er fordampet.
 - Sett alltid lokket på drivstofftanken og drivstoffbeholderen forsvarlig på plass.
- Skift ut defekte lydempere.
 - Før bruk av maskinen, kontroller alltid visuelt at knivene, knivboltene og klippeenheter ikke er slitt eller skadet. Skift alltid ut slitte eller skadede kniver og bolter i sett for å opprettholde balansen.
 - På maskiner med flere kniver, vær oppmerksom på at en roterende kniv kan få andre kniver til å rotere.

Drift

- Ikke la motoren gå i lukket rom der det kan dannes farlig kullos.
- Klipp alltid i dagslys eller i godt opplyste områder.
- Unngå, om mulig, å klippe i vått gress.
- Sørg alltid for godt fotfeste ved klipping i skråninger.
- Gå, løp aldri.
- Før gressklippere med hjul og roterende kniv(er), klipp alltid på tvers av skråningene, aldri opp og ned.
- Vær særdeles forsiktig ved endring av retning i skråninger.
- Ikke klipp i ekstremt bratte skråninger.
- Vær særdeles forsiktig når du rygger eller trekker maskinen mot deg.
- Stans kniven(e) hvis gressklipperen må vippes opp ved transport over andre underlag enn gressplener, samt ved transport av gressklipperen til og fra klippeområdet.
- Bruk aldri en klipper med defekt beskyttelsesutstyr eller uten at tilhørende sikkerhetsanordninger som f.eks. deflektorer og/eller gressoppsamlere er på plass.
- Gjør ingen endringer på motorinnstillinger eller motorens angitte maks. turtall.
- Kople ut alle kniv- og drivkoplinger før start av motoren.
- Start eller slå på motoren i henhold til instruksjoner og med føttene i god avstand fra kniven(e).

- Ikke vipp opp gressklipperen når motoren startes eller slås på, unntatt hvis klipperen må vippes opp for å starte. Vipp den i så fall ikke mer enn absolutt nødvendig og vipp opp kun den delen som vender bort fra operatøren.
 - Stå aldri foran utkaståpningen ved start av motoren.
 - Hold hender og føtter borte fra roterende deler. Stå aldri i nærheten av utkaståpningen.
 - Ta aldri opp eller bær en gressklipper når motoren går.
 - Stans motoren og kople fra tennpluggledningen.
 - før fjerning av gjenstander som blokkerer klipperen eller før rensing av utkastøret;
 - før kontroll, rengjøring eller arbeid på gressklipperen;
 - etter å ha truffet et fremmedlegeme. Inspiser gressklipperen for skade og utfør evt. reparasjonsarbeid før start og videre bruk av maskinen;
 - ved unormalt kraftige vibrasjoner (kontroller umiddelbart).
 - Stans motoren
 - hver gang du forlater gressklipperen;
 - før fylling av drivstoff;
 - Sett gasshåndtaket på laveste innstilling når motoren er slått av og, hvis motoren er utstyrt med en avstengningsventil, steng av bensintilførselen når du er ferdig med å klippe.
 - Vær ekstra forsiktig når du nærmer deg uoversiktlige hjørner, busker, trær eller andre gjenstander som gir redusert sikt.
- #### Vedlikehold og oppbevaring
- Sørg for at alle muttere, bolter og skruer er godt tilstrammet slik at utstyret er i forskriftsmessig stand.
 - Oppbevar aldri maskinen med bensin på tanken i rom der bensinavgasser kan komme i kontakt med åpen flamme eller gnister.
 - La motoren bli kald før den settes til oppbevaring.
 - Reduser brannfaren ved å holde motor, lydempere, batterirom og bensintank fri for gress, løv og overflødig smøremiddel.
 - Kontroller gressoppsamleren for slitasje eller skader med jevne mellomrom.
 - Bytt ut slitte eller defekte deler av sikkerhetsmessige årsaker.
 - Hvis bensintanken må tømmes, må dette alltid gjøres utendørs.

MONTERING

MERK: Figurer og symboler begynner på side 2.

Utpakking

Gressklipperen ble montert i sin helhet på fabrikk. Da gressklipperen ble pakket ned, ble håndtaket satt i oppbevaringsstilling. For å sette håndtaket tilbake i driftsstilling, følg instruksene under.

1. (**Figur 1**) Ta gressklipperen ut av emballasjen.
2. Sett **nedre håndtak (1)** i driftsstilling. Kontroller at **nedre håndtak (1)** er mellom **låsetappene (2)**.

3. Sett **øvre håndtak (3)** i driftsstilling. Stram festeanordningene (**4**).

FORSIKTIG: Vær forsiktig når du feller håndtaket opp eller ned slik at vaierne ikke blir skadet. En bøyd vaier vil ikke fungere tilfredsstillende. Husk alltid å skifte ut en bøyd eller skadet vaier før du tar maskinen i bruk.

4. (**Figur 7**) Tilkoble **stopphelele (1)**.
5. (**Figur 2**) For å feste **startsnorens start-håndtak (1)** til **snorsporet (2)**, vri snoren gjennom **snorsporet (2)** festet på høyre side av håndtaket.

MERK: Dersom du ikke kan feste **startsnorens starthåndtak** fordi snoren er for kort, skal **stopphelele** holdes mot håndtaket. Dra **startsnorens starthåndtak** langsomt tilbake.

Justering av håndtakshøyden

(**Figur 3** og **figur 4**) Håndtaksknekten (**1**) har to samlingsposisjoner. En **HØY (3)** og en **LAV (4)** posisjon. Den **HØYE (3)** posisjonen vil løfte håndtaket cirka fire tommer opp.

1. (**Figur 1**) Fjern **vingemutterne (6)** og boltene fra høyre og venstre **håndtaksknekt (2)**.
2. (**Figur 3**) For å løfte håndtaket skal det **nedre håndtaket (1)** monteres i **HØY (3)** posisjon.
3. (**Figur 4**) For å senke håndtaket skal det **nedre håndtaket (1)** monteres i **LAV (4)** posisjon.
4. (**Figur 1**) Fastgjør det **nedre håndtaket (1)** til **håndtaksknekt (2)** med boltene og **vingemutterne (6)**.

Klargjøring av motoren

Merk: Motoren inneholder verken **OLJE** eller **BENSIN**.



ADVARSEL: Følg motorprodusentens anvisninger for å få vite hvilken type olje og bensin du skal bruke. Bruk alltid godkjent drivstoffbeholder. Ikke røyk under fylling av bensin i motoren. Ikke fyll bensin i lukket rom. Stans motoren før du fyller bensin. La motoren avkjøles noen minutter.

MERK: Faktiske vedvarende hestekrefter vil sannsynligvis være lavere på grunn av driftsbegrensninger og miljømessige faktorer.

F-050445L

Se motorprodusentens anvisninger for å finne ut hvilken type bensin og olje som skal brukes. Før du bruker gressklipperen, les nøye gjennom instruksene for sikkerhet, drift, vedlikehold og oppbevaring.

Montering og demontering av finhakkerset



ADVARSEL: Kople fra tennpluggledningen før du demonterer eller installerer finhakkerset.

På enkelte modeller blir finhakkersetet montert på fabrikk. For å skifte fra finhacking til sideutkast, fjern finhakkingsplaten.

En gressklipper med sideutkast kan gjøres om til en finhackerklipper ved å installere finhakkersetet som følger:

1. (**Figur 6**) Løft opp **utkastrøret (1)**.
2. Monter **tappen (3)** øverst på **avlederplaten (2)** til innsiden av gressklipperhuset.
3. (**Figur 5**) For å feste **startsnorens start-håndtak (1)** til **snorsporet (2)**, vri snoren gjennom **snorsporet (2)** festet på høyre side av håndtaket.
4. Senk **avlederplaten (1)**.

Tips om finhacking

Finhakkersetet finfordeler gresset slik at gresset lettere kan resirkuleres. Fordi næringen i gresset frigjøres og går tilbake til jorden, vil behovet for gjødsel reduseres betraktelig. Slik går du frem:

- Gresset må være tørt. Hvis gresset er vått, vil det være vanskelig å klippe og gresset vil klumpe seg sammen.
- Gresset må ikke være for høyt. Maks. klippehøyde er 4 1/2 tommer. Juster høyden slik at det bare er gressets øvre tredjedel som klippes.
- Dersom gresset er høyere enn 4 1/2 tommer, må det klippes to ganger. Første gang gresset klippes velger du maks. klippehøyde. Andre gang gresset klippes reduserer du klippehøyden.
- Kniven må være skarp. En kniv som ikke er skarp vil føre til at gresstuppene blir brune.
- Rengjør undersiden av klippeaggregatet. Gress og andre rester kan hindre gressklipperen i å fungere korrekt.

Dersom klippekvaliteten ikke er tilfredsstillende, prøv følgende:

- Øk klippehøyden.
- Klipp gresset oftere.
- Reduser hastigheten på gressklipperen.
- Overlapp klippesporene i stedet for å klippe en hel bredde hver gang.
- Gå over de dårlig klippede områdene en gang til.

DRIFT

MERK: Figurer og symboler begynner på side 2.

Stopphelele (**Figur 7**)

Når du slipper opp **stopphelele (1)**, stanser både motoren og kniven automatisk. For å starte motoren, hold **stopphelele (1)** i **driftsstilling (2)**.

Før du starter motoren, trykk ned **stopphelele (1)** flere ganger. Kontroller at vaieren beveger seg fritt.

Stans av motor (**Figur 7**)

For å stanse motoren, slipp opp **stopphelele (1)**. Kople fra tennpluggledningen for å forhindre at motoren starter.

Dersom motoren ikke stanser, hold en skrutrekker mot tennpluggen og mot motorens kjøleribber. Gnisten jordes og motoren stanser. Før du starter motoren, kontroller at stoppvaieren er riktig montert. Husk alltid å skifte ut en bøyd eller skadet stoppvaier før du tar maskinen i bruk.

Forhjulsdriftssystem (**Figur 8**)

Gressklipperen er forhjulsdrevet. Driftssystemet betjenes som følger.

1. Hold **stopphelele (1)** i **INNKOPLET** stilling.
2. Trykk **drivhelele (2)** fullstendig frem. Når **drivhelele (2)** klikker, slippes **drivhelele (2)** opp (**2**). Driftssystemet er nå innkoplet.

MERK: For å stoppe motoren, skal **stopphelele** utløses.

3. For å utkoble driftssystemet og stoppe motoren, skal **stopphelele (1)** utløses.
4. For kun å utkoble driftssystemet, skal **stopphelele (1)** kun slippes cirka 2 tommer ut. Driftssystemet vil koples ut men motoren vil fortsette å kjøre.



ADVARSEL: Av sikkerhetsmessige årsaker må drivsystemet kople ut med en gang **drivhelele** slippes opp. I motsatt fall må du ikke bruke gressklipperen før drivsystemet er blitt justert eller reparert av et autorisert serviceverksted.

Start av motor (**Figur 9** og **10**)



ADVARSEL: Kniven roterer når motoren går.

1. Kontroller oljenivået.
2. Fyll drivstofftanken med blyfri lavoktanbensin. Se "Klargjøring av motor".
3. Sett gashåndtaket på **HØY**.
4. Kontroller at tennpluggledningen er koplet til tennpluggen.
5. Kontroller at **drivhelele** er i **UTKOPLET** stilling.
6. (**Figur 9**) **Choke-knappen (1)** er plassert på siden av motoren. Trykk inn **choke-knappen (1)** fem ganger. Vent to sekunder etter hver gang du har trykket inn **choke-knappen (1)**. **MERK:** Ikke bruk **choke-knappen** til å starte en varm motor.
7. (**Figur 10**) Stå bak gressklipperen. Bruk en hånd til å holde **stopphelele (1)** i driftsstilling som vist. Bruk den andre hånden til å holde i **startsnorhåndtaket (2)**.
8. Dra raskt i **startsnoren (2)**. Slipp **startsnoren (2)** langsomt ut igjen.
9. Dersom maskinen ikke starter etter 5 eller 6 forsøk, se instruks under "Feilsøking".

VEDLIKEHOLD

MERK: Figurer og symboler begynner på side 2.

Vedlikehold av motor

Følg instruksene i vedlikeholdsavsnittet for å holde maskinen i god driftsstand. Vedlikeholdsinstruks for motoren finner du i motorhåndboken. Les nøye gjennom denne håndboken før du tar maskinen i bruk.



ADVARSEL: Kople alltid fra tennpluggledningen før du inspiserer, justerer (ikke forgasseren) eller reparerer motoren.

Vende motoren (Figur 20)

Når du skal utføre service på motoren, inspiserer kniven eller rengjøre undersiden på klipperhuset; kontroller at motoren alltid vendes med tennpluggen opp. Transport eller vending av motoren med tennpluggen ned vil medføre:

- Vanskelig start.
- Røyk fra motoren.
- Tilsussing av tennpluggen.
- Olje- eller gassaturering av luftfilteret.

Smøring

1. For å sikre maks. ytelse, smør hjulene og alle omdreiningpunkter med motorolje etter hver 25. driftstime.
2. For smøring av motoren, se motorhåndboken.

MERK: Ikke smør stoppvaieren. Smøremiddelet vil ødelegge vaieren og hindre den i å bevege seg fritt. Skift alltid vaieren hvis den er bøyd eller ødelagt.

Rengjøring av klippeaggregat



ADVARSEL: Kniven roterer når motoren går. Stans alltid motoren og kople fra tennpluggledningen før du rengjør klippeaggregatet.

Gress og andre rester kan hindre gressklipperen i å fungere tilfredsstillende. Når du er ferdig med å klippe, rengjør klippeaggregatet som følger.

1. Stans motoren.
2. Kople fra tennpluggledningen.
3. Rengjør oversiden og undersiden av klippeaggregatet.

Justering av klippehøyde (Figur 11)



ADVARSEL: Kniven roterer når motoren går. Kople alltid fra tennpluggledningen før du justerer klippehøyden.

For å endre klippehøyde, flytt justeringsarmen (1) ved hvert hjul. Kontroller at posisjonen til hver justeringsarm (1) er identisk slik at gressklipperen klipper jevnt.

1. Frigjør justeringsarmen (1).
2. Flytt justeringsarmen (1) til en annen posisjon.

Demontering av drivrem

Slik demonterer du drivremmen.

F-050445L



ADVARSEL: Kople alltid fra ledningen før du fjerner remmen.

1. (Figur 13) Ta av remdekslet (1).
2. (Figur 14) Løsne beltets spenningsbolt (2).
3. Ta forsiden av drivremmen (3) fra transmissjonsskiven (4).
4. (Figur 15) For å fjerne baksiden av drivremmen (3), la drivremmen (3) gli over enden av bladet (4).

MERK: Drivremmen må bare skiftes ut med en tilsvarende rem fra samme produsent.

5. For å montere drivremmen (3), følg trinnene ovenfor i motsatt rekkefølge.
6. (Figur 16) Innstill remspenningen.
 - a. Stram justeringsmutteren (5) inntil mutteren berører mellomskiven (6). Prøv å vri mellomskiven (6). Når justeringsmutteren (5) berører mellomskiven (6), vil mellomskiven (6) ikke bevege seg.
 - b. Løsne deretter justeringsmutteren (5) nok til å la mellomskiven (6) bevege seg. Drivremmens (3) spenning er nå korrekt.
7. (Figur 13) Installer beltedekslet (1).
8. Før du begynner å klippe må du kontrollere at drivsystemet kople riktig inn og at gressklipperen stanser når den skal. Hvis drivsystemet ikke kople ut, må du få gressklipperen kontrollert på et autorisert serviceverksted før du tar den i bruk.

Hvordan justere drivkabelen (Figur 12)



ADVARSEL: Før drivkabelen justeres, skal motorens stopphåndtak kobles inn og motoren stoppe helt opp.

Dersom drivsystemet ikke kobles inn og ut korrekt, skal håndtakets montering kontrolleres. Sørg for at alle deler er i god stand, ikke ødelagte eller bøyd, og at alle festeanordninger sitter stramt.

Slitte deler og kabelstrekk vil endre drivsystemets yteevne. Når du klipper høyt eller tykt gress, eller på hellende overflater, kan drivsystemet gli. Dersom drivsystemet glipper, skal det justeres som følger, eller gressklipperen sendes til et autorisert servicesenter.

VIKTIG: Før du starter motoren, koble motorens stopphåndtak inn og ut flere ganger. Sørg for at motorens stoppkabel beveger seg fritt.

MERK: Motorens design inneholder ikke en forgasser eller hastighetsjustering. Motoren er innstilt til optimal hastighet for klipping og oppsamling av gress, samt for lang levetid.

1. Dersom drivsystemet glipper, vri kabeljusteren (1) en omdreining i retningen vist på illustrasjonen. Prøv ut drivsystemet og kontroller om det glipper.
2. Dersom drivsystemet fortsatt glipper, vri kabeljusteren (1) enda en omdreining for å korte ned kabelen. Kontroller drivsystemet på nytt.
3. Gjenta justeringen og utprøvingen inntil drivsystemet ikke lenger glipper.

4. Før du starter gressklipping, kontroller at drivsystemet kobles ut korrekt og at klipperen stopper. Dersom drivsystemet ikke kobles ut korrekt, skal klipperen kontrolleres av et autorisert servicesenter før den tas i bruk.

Skifte av finhakkerkniv

En finhakkerklipper er utstyrt med en spesiell finhakkerkniv. En slitt eller skadet finhakkerkniv må kun erstattes med en original finhakkerkniv fra fabrikken. En standard kniv vil ikke klippe riktig og kan forårsake en ulykke.

Vedlikehold av kniv



ADVARSEL: Kople fra tennpluggvaieren før du inspiserer kniven eller knivadapteren. Stans motoren hvis kniven treffer en gjenstand. Kople fra tennpluggledningen. Kontroller at enheten ikke er skadet.

Kontroller med jevne mellomrom at kniven ikke er slitt eller skadet (f.eks. sprukket). Kontroller med jevne mellomrom at bolten som holder kniven på plass er godt strammet. Stans motoren dersom kniven treffer en gjenstand. Kople fra tennpluggledningen. Kontroller at knivadapteren ikke er skadet. Kontroller at kniven ikke er bøyd, skadet, slitt eller ødelagt på annen måte. Skift ut evt. skadede deler med originaldelar før du tar maskinen i bruk. Av sikkerhetsmessige årsaker bør kniven skiftes ut annethvert år. Hold kniven skarp. En kniv som ikke er skarp vil føre til at gressstuppene blir brune. Demonter kniven som følger.

Demontering av kniven (Figur 17 og 18)



ADVARSEL: Kople fra tennpluggledningen før du fjerner kniven. Knivbladet er skarpt. Bruk hansker eller annet beskyttende materiale ved håndtering av kniven.

1. Tøm drivstofftanken.
2. Vipp opp den siden av gressklipperen som er utstyrt med lyd-potten eller tennpluggen.
3. Bruk et trestykke til å forhindre at kniven roterer.
4. Fjern bolten (1) som holder kniven (2).
5. Kontroller kniven i henhold til instruksene under "Vedlikehold av kniv". Evt. slitte eller skadede kniver må kun erstattes med originalkniver fra fabrikken.
6. Monter kniven slik at de oppbøyde kantene vender mot huset. Hvis kniven monteres opp ned, vil den ikke klippe ordentlig og kan forårsake en ulykke.
7. Fest kniven (2) med de originale skivene (3 og 4) og bolten (1). Sørg for at de utvendige kantene på Belleville-fjærene (4) vender mot kniven (2).
8. Stram til bolten (1) som holder kniven (2) med et moment på 30 pund/ft.



ADVARSEL: Pass alltid på at bolten (1) som holder kniven (2) er stram. En løs bolt (2) kan forårsake en ulykke.

Kontroll av klippejevnhet

Prøv maskinen på et lite område. Dersom klippehøyden ikke er jevn eller hvis det avklippede gresset ikke kastes ut, kan årsaken være: (1) at kniven er bøyd eller skadet, (2) at kniven ikke er skarp, (3) at kniven er slitt (4) eller at knivadapteren er brukket. Uansett problem må dette rettes opp før maskinen kan tas i bruk.

Nedfelling av håndtak før oppbevaring (Figur 19 og 1)

FORSIKTIG: Vær forsiktig når du feller håndtaket opp eller ned slik at vaierne ikke blir skadet. En bøyd vaier vil ikke fungere tilfredsstillende. Skift alltid ut en bøyd eller skadet vaier før du tar maskinen i bruk.

Nedfelling av håndtak

- (Figur 19)** Løsne festeanordningene som holder øvre del av håndtaket fast til nedre del av håndtaket. Når du feller ned håndtaket, kontroller at vaierne ikke har viklet seg rundt de løse festeanordningene og kan komme til skade. Sving øvre del av håndtaket mot baksiden av maskinen.
- (Figur 1)** Løsne festeanordningene på **nedre håndtak (1)**. Trykk inn endene til det **nedre håndtaket (1)**. Flytt endene til det **nedre håndtaket (1)** forbi låsetappene **(2)**.
- Sving håndtaket forover over motoren. Kontroller at vaierne ikke er skadet.

Oppfelling av håndtak

- Trekk håndtaket bakover inntil endene til det **nedre håndtaket (1)** låses i posisjon.
- Løft øvre del av håndtaket i driftstilling. Stram festeanordningene som holder håndtaket.

Klargjøring av gressklipper før oppbevaring



ADVARSEL: Ikke tapp bensin i lukket rom, i nærheten av ild eller mens du røyker. Bensinavgasser kan forårsake eksplosjon eller brann.

- Tøm drivstofftanken.
- La motoren gå til den er tom for bensin.
- Tapp oljen når motoren er varm. Fyll motorens veivhus med ny olje.
- Fjern tennpluggen fra sylindere. Hell 1 ounce med olje i sylindere. Dra langsomt i startsnorhåndtaket for at oljen skal beskytte sylindere. Installer en ny tennplugg i sylindere.
- Fjern smuss og rester fra sylindere kjøleribber og motorhuset.
- Rengjør undersiden av klippeaggregatet.
- Foreta en komplett rengjøring av gressklipperen for å beskytte lakken.
- Sett maskinen til oppbevaring i et lokale med god ventilasjon.

Bestilling av reservedeler

Reservedelene er enten listet bakerst i denne håndboken eller i en egen reservedelshåndbok.

Bruk kun reservedeler som er autorisert eller godkjent av produsenten. Bokstaven som står etter delenummeret angir delens finish: C for krom, Z for zink og PA for innkjøpt enhet. Det er viktig at du oppgir dette ved bestilling av deler. Ikke bruk tilbehør som ikke er spesifikt anbefalt brukt med dette produktet. Husk å oppgi gressklipperens modellnummer ved bestilling av reservedeler (se navnskilt).

Reservedeler, med unntak av motor, girkasse, transaksel eller differensial, kan fås hos forhandleren som solgte maskinen eller på et serviceverksted anbefalt av forhandleren.

Hvis du av en eller annen grunn ikke kan få tak i reservedeler eller service på ovennevnte måte, ta kontakt med:

HAYTER LIMITED,
Service Department,
Spellbrook,
Bishop's Stortford,
Hertfordshire. CM23 4BU.

MURRAY, INC.
International Sales
P.O. Box 268
Brentwood, Tennessee USA 37024
1-800-251-8007
Fax (615) 373-6633

Reservedeler for motor, transaksel eller girkasse kan fås hos produsentens autoriserte serviceverksted (se de Gule Sider). Se også de spesifikke garantiene for motor eller girkasse ved bestilling av reservedeler.

Vennligst oppgi følgende opplysninger ved bestilling av reservedeler:

- (1) Modellnummer
- (2) Serienummer
- (3) Delenummer
- (4) Antall

FEILSØKING

Motoren starter ikke.

- Kontroller at drivstofftanken er fylt med ren bensin. Ikke bruk gammel bensin.
- Sett gasshåndtaket på HØY eller START.
- Hvis motoren er kald, trykk fem ganger på choke-knappen (tilleggsutstyr på enkelte modeller).
- Kontroller at tennpluggledningen er koplet til tennpluggen.
- Juster forgasseren. Se motorhåndboken.
- Det er for mye bensin i motorsylindere. Ta ut og tørk tennpluggen. Dra i startsnorhåndtaket flere ganger. Sett i tennpluggen. Kople ledningen til tennpluggen. Start motoren.
- Maskinen er vanskelig å starte i tungt eller høyt gress. Flytt gressklipperen til et rent, tørt underlag.
- Kontroller at stopphendelen står i driftstilling.
- Kontroller at drivstoffventilen er satt til PÅ. Se motorhåndboken.

Motoren stanser ikke.

- Slipp opp stopphendelen.
- Kontroller stoppvaieren. Skift vaier hvis den er bøyd eller skadet.

Dårlig motorytelse.

- Kontroller innstilt klippehøyde. Øk klippehøyden hvis gresset er høyt.
- Kontroller undersiden av knivhuset. Rengjør knivhuset og fjern gress og andre rester.
- Kontroller tennpluggledningen. Se etter om den er riktig tilkopledd.
- Rengjør motorens kjøleribber og fjern gress og andre rester.
- Kontroller forgasserinnstillingene. Se motorhåndboken.
- Kontroller elektrodeavstanden på tennpluggen. Sett avstanden til 0,030 tommer.
- Kontroller oljenivået i motoren. Fyll på med olje om nødvendig.
- Kontroller motorens luftfilter. Se motorhåndboken.
- Bensinen er dårlig. Tøm og rengjør drivstofftanken. Fyll opp tanken med ren bensin.
- Kontroller gasshåndtaket. Kontroller at gasshåndtaket ikke står på CHOKE.

Unormalt kraftige vibrasjoner.

- Fjern kniven. Kontroller kniven og balansen om nødvendig. Se instruks for vedlikehold av kniv.
- Kontroller at kniven ikke er bøyd eller brukket. EN SKADET KNIV ER FARLIG OG MÅ SKIFTES UT.
- Kontroller knivadapteren. EN BRUKKET KNIVADAPTER MÅ SKIFTES UT.
- Dersom vibrasjonene fortsetter, ta gressklipperen med til et godkjent serviceverksted.

Gresset kastes ikke ut som det skal.

- Rengjør undersiden av klippeaggregatet.
- Se etter om kniven er slitt. Demonter og slipp kniven om nødvendig. Skift ut kniven annethvert år med en originalkniv fra fabrikkens sikkerhetsmessige årsaker.
- Sett gasshåndtaket på HØY. Kontroller motorens hastighet i henhold til motorhåndboken.

Maskinen klipper ikke jevnt.

- Kontroller høydejusteringen ved hvert hjul. Høydejusteringen må være den samme for hvert hjul.
- Kontroller at kniven er skarp.
- Kontroller at kniven ikke er bøyd eller brukket. EN SKADET KNIV ER FARLIG OG MÅ SKIFTES UT.
- Kontroller at knivadapteren ikke er brukket. EN BRUKKET KNIVADAPTER MÅ SKIFTES UT.

INNEHÅLL

INTERNATIONELLA SYMBOLER	42
INFORMATION TILL ÄGAREN	43
RUTINER FÖR SÄKER DRIFT	43
MONTERING	44
DRIFT	44
UNDERHÅLL	44
FELSÖKNINGSSHEMA	46

MURRAY, INC.

TVÅ ÅRS BEGRÄNSAD GARANTI

Murray, Inc. garanterar den ursprungliga köparen att enheten är fri från fel i material och utförande i **två (2) år** räknat från inköpsdagen, vid normal drift och normalt underhåll. Garantin gäller dock inte motorer, tillbehör (som snöslungor, snöblad, gräsupsamlare och plogar), transmission, batterier och förslitningsdelar (med de undantag som ges nedan) eller axlar eftersom de företag som tillverkar dessa delar har egna garantier och tillhandahåller service genom egna auktoriserade serviceverkstäder. Se garantierna för dessa delar för mer information. Om du är osäker på om din enhet inbegriper eller är utrustad med någon av dessa delar kan du fråga din leverantör vid köpet. Med reservation för de villkor som angetts i denna begränsade garanti, skall vi utan kostnad för den ursprungliga köparen reparera eller byta ut varje del som täcks av den begränsade garantin under den tillämpbara garantiperioden.

Om batteriet befinner sig vara defekt inom nittio (90) dagar från inköpsdatumet, ersätter vi det utan kostnad. Om batteriet befinner sig vara defekt efter nittio (90) dagar men inom etthundratjugo (120) dagar från inköpsdatumet ersätter vi det till en kostnad av halva (1/2) det försäljningspris som gäller för batteriet vid tidpunkten för återlämnandet.

Förslitningsdelar definieras som remmar, knivar, knivmellanstycken, gummidäck, strålkastare och överdragsklädsel till säten. Dessa delar garanteras vara fria från material- och fabriktionsfel vid leveransen av produkten.

Anspråk på reparation eller byte av förslitningsdelar måste ske inom trettio (30) dagar från inköpsdatumet. Anspråk som gäller skador på grund av användning, felaktig användning eller misshandel av materialet accepteras inte.

Denna **två (2) års begränsade garanti från Murray, Inc.** är din exklusiva hjälp, men garantin gäller inte för enheter som blivit manipulerade, ändrade, felaktigt använda, misshandlade eller använts för uthyrning eller i kommersiellt och/eller yrkesmässigt (icke privat) bruk. Garantin täcker inte mindre mekaniska justeringar som inte beror på fel i materialet eller utförandet. För hjälp med sådana justeringar hänvisas till instruktionsboken.

Vid anspråk på garantiåtgärder enligt denna **två (2) års begränsade garanti från Murray Inc.** lämnas enheten (eller den defekta delen om så godkänts på förhand) till en auktoriserad serviceverkstad i din närhet. För att hitta närmaste auktoriserade serviceverkstad i ditt område, kan du ringa till den centrala

reservdelsleverantör i ditt område, enligt listan som följer med enheten, eller titta i de gula sidorna i din telefonkatalog. Om du lämnar in enheten reparerar vi den. Om vi godkänt att bara en enskild del lämnas in byter vi antingen ut delen eller reparerar den. I händelse av en defekt i transmissionen eller differentialen (till skillnad från en axel) måste hela transmissionen eller differentialen lämnas in eftersom de inte innehåller några delar som användaren själv kan utföra service på.

Denna **två (2) års begränsade garanti från Murray Inc.** ger dig specificerade legala rättigheter. Du kan även ha andra rättigheter beroende på lagstiftningen i ditt land. **Denna begränsade garanti ges i stället för alla andra uttryckliga och underförstådda garantier, inbegripet den underförstådda garantin om köpbarhet och garantin om lämpligheten för användning i ett visst syfte.** Om du vill ha mer information om denna skrivna garanti eller hjälp med att få service kan du skriva till:

HAYTER LIMITED,
Service Department,
Spellbrook,
Bishop's Stortford,
Hertfordshire. CM23 4BU.

MURRAY, INC.
International Sales
P.O. Box 268
Brentwood, Tennessee USA 37024
1-800-251-8007
Fax (615) 373-6633

INTERNATIONELLA SYMBOLER

VIKTIGT: Följande symboler finns utsatta på din enhet eller i det textmaterial som följer med produkten. Lär dig vad de olika symbolerna betyder innan du använder enheten.

OBS: Illustrationer och symboler börjar på sidan 2.

Säkerhets- och varningssymboler (Figur 21)

1 Varning

- VIKTIGT: Läs bruksanvisningen innan du använder denna maskin.
- VARNING: Föremål som skjuts iväg. Håll kringstående på avstånd. Läs bruksanvisningen innan du använder denna maskin.
- Klipp aldrig gräset uppför och nerför sluttningar. Klipp sluttningar på tvären.
- FARA: Ej steg.
- FARA: Håll händer och fötter borta från den roterande kniven.
- Deklarerade värden för luftburen ljudtrycksnivå på 100 dB(A) Iva överensstämmer med direktiv 2000/14/EG.

- FARA: Koppla bort tändstiftet innan du servar enheten.
- FARA: Öppna inte och ta heller inte bort skydden när motorn är i drift.

Symboler för reglage och drift (Figur 22)

- Sakta
- Snabbt
- Stanna motorn
- Starta motorn
- Olja
- Bränsle
- Framåt

MODEL NO.: 226111x52B



SKU No.:

YYYY MM DD: _____

SERIAL NO.:

3050 min-1

32 kg

Manufactured in Lawrenceburg, TN 38464, U.S.A.

Deklarerade värden för vibrationsöverföring överensstämmer med direktiv 98/37/EU

Vibrationsöverföring överensstämmer med EN 836/A2:2001: 6,95 m/s².

Värdena är uppmätta vid handtaget och maskinen stillastående på en betongyta vid 3050 min⁻¹.

Deklarerade värden för luftburen ljudtrycksnivå på 100 dB(A) Iva överensstämmer med direktiv 2000/14/EG.

Ljudtrycksnivå i körposition 84 dB.

Värdena är uppmätta vid användarens öron i enlighet med specifikationerna i EN 836/A2:2001.

INFORMATION TILL ÄGAREN

Lär känna din gräsklippare: Om du vet hur den fungerar, kan du använda den på ett effektivt sätt. Jämför illustrationerna och traktorn medan du läser handboken. Lär dig var de olika reglagen är placerade och vilken funktion de har. Följ driftsinstruktionerna och säkerhetsföreskrifterna så att du undviker olyckor. Behåll användarhandboken för framtida bruk.



WARNING: Leta efter denna symbol som visar att viktiga försiktighetsåtgärder ska vidtas. Symbolen betyder: Se upp! Var uppmärksam! Din säkerhet är i fara.

Ägarens ansvar



WARNING: Denna gräsklippare är kapabel att klippa av händer eller fötter och slå iväg föremål med stor kraft. Om nedanstående säkerhetsinstruktioner inte beaktas kan det få till följd att användaren eller kringstående personer skadas svårt eller dödas.

Det ligger på ägarens ansvar att följa nedanstående instruktioner.

RUTINER FÖR SÄKER DRIFT

För gånggräsklippare

Övning

1. Läs instruktionerna noga. Se till att du vet hur reglagen fungerar och hur man använder utrustningen på rätt sätt.
2. Låt aldrig barn eller andra som inte har lärt sig instruktionerna använda klipparen. Lokala bestämmelser kan reglera hur gammal användaren måste vara.
3. Klipp aldrig om det finns barn eller husdjur i närheten.
4. Tänk på att användaren är ansvarig för de skador och faror som andra personer och deras egendom utsätts för.

Förberedelser

1. Ta alltid på dig ordentlig fotbeklädnad och långbyxor när du skall klippa. Använd inte traktorn om du har sandaler på dig eller är barfota.
2. Kontrollera hela den yta som du skall klippa och ta bort alla föremål som kan skjutas iväg av klipparen.
3. **WARNING - Bensin är mycket lättantändligt.**
 - a. Förvara bensinen i dunkar som är speciellt avsedda för ändamålet.

- b. Tanka endast utomhus. Rök inte medan du tankar.
 - c. Tanka innan du startar motorn. Ta inte av locket till bensintanken eller tanka medan motorn går eller då motorn är varm.
 - d. Starta inte motorn om du spillt bensin. Flytta först bort maskinen från det område där du spillt. Undvik att göra något som kan få bensinen att antändas. Vänta tills bensinångorna har avdunstat.
 - e. Sätt på locken till bensintanken och bensindunken ordentligt.
4. Byt ut defekta ljuddämpare.
 5. Se alltid efter att knivarna, knivmuttern och klippaggregatet inte är slitna eller skadade innan du använder klipparen. Byt ut slitna och skadade knivar och muttrar tillsammans, som en enhet, så att balansen bibehålls.
 6. På maskiner med flera knivar måste du tänka på att om man roterar en kniv, kan en annan kniv börja rotera.

Drift

1. Använd inte klipparen i trånga utrymmen där det kan samlas farlig koloxid.
2. Klipp endast i dagsljus eller i tillfredsställande belysning.
3. Undvik, om möjligt, att köra gräsklipparen i vått gräs.
4. Se alltid till att du har ordentligt fotfäste i sluttningar.
5. Gå - spring aldrig.
6. När du går bakom en maskin, klipp alltid gräset tvärs sluttningen, inte uppför och nedför.
7. Var mycket försiktig när du byter riktning i sluttningar.
8. Klipp inte gräset på alltför branta sluttningar.
9. Var mycket försiktig när du backar eller drar gräsklipparen mot dig. Se till att det inte finns något i vägen på området bakom dig.
10. Stoppa knivarna om gräsklipparen måste lutas för transport, när du kör över annat än gräs och när du transporterar gräsklipparen till eller från området som skall klippas.
11. Kör aldrig gräsklipparen utan de rätta skydden, plåtar, gräsuppsamlare och annan säkerhetsutrustning på plats.
12. Ändra inte motorns varvtalsregulatorinställningar eller rusa motorn.
13. Koppla bort alla kniv- och drevkopplingar innan du startar motorn.
14. Var försiktig när du startar motorn enligt instruktionerna och håll fötterna långt borta från knivarna.
15. Luta inte gräsklipparen när du startar motorn eller sätter på den, utom när du måste luta motorn för att starta den. I detta fall, luta inte mer än absolut nödvändigt och lyft endast den del som är långt från operatören.
16. Starta inte motorn när du står framför utsläppsrännan.
17. Placera inte händer eller fötter nära eller under roterande delar. Håll dig alltid borta från utsläppsöppningen.
18. Lyft eller bär aldrig en gräsklippare medan motorn går.
19. Stanna motorn, vänta på att knivarna stannar helt, och koppla loss tändstiftskabeln:
 1. innan du tar bort igenkorkningar eller rensar ut rännan;
 2. innan du kontrollerar, rengör eller arbetar på gräsklipparen;
 3. när du har kört på ett främmande föremål. Inspektera gräsklipparen för att se om den är skadad och reparera den innan du startar och kör gräsklipparen;
 4. om gräsklipparen börjar vibrera onormalt (undersök genast orsaken).
20. Stäng av motorn
 1. när du går ifrån gräsklipparen;
 2. innan du fyller på bränsle
21. Minska gasreglagets inställning medan du stänger av motorn och om motorn har en avstängningsventil, stäng av bränslet när du har klippt färdigt.
22. Var extra försiktig när du närmar hörn där du inte ser, buskar, träd eller annat som hindrar sikten.

Underhåll och förvaring.

1. Se till att alla muttrar, bultar och skruvar hålls ordentligt åtdragna så att utrustningen är i säkert arbetsskick.
2. Förvara aldrig utrustningen med bensin i tanken på platser där bensinångorna kan nå fram till gnistor eller öppna lågor.
3. Låt maskinen svalna innan du förvarar den i trånga utrymmen.
4. Håll motorn, ljuddämparen, batteriutrymmet och området för förvaring av bensin fria från gräs, löv och överflödigt smörjmedel så att risken för brand minskas.
5. Kontrollera ofta att gräsuppsamlaren inte är sliten eller sönder.
6. Byt ut slitna eller skadade delar av säkerhetsskäl.
7. Om bränsletanken måste tömmas, skall tömningen ske utomhus.

MONTERING

OBS: Illustrationer och symboler börjar på sidan 2.

Instruktioner för uppäckning

Gräsklipparen har satts ihop i fabriken. När klipparen sattes i kartongen placerades handtaget i förvaringsposition. När du vill placera handtaget i driftsposition, följ anvisningen nedan:

1. (Figur 1) Ta ur klipparen ur kartongen.
2. Placera det **lägre handtaget (1)** i driftsläget. Se till att det **lägre handtaget (1)** är mellan låsflikarna (2).
3. Placera det **övre handtaget (3)** i driftsläget. Dra åt **handvreden (4)**.

WARNING: Var försiktig när du fäller ihop eller fäller upp handtaget. Skada inte kablar. En böjd kabel fungerar inte korrekt. Byt ut en böjd eller skadad kabel innan du använder enheten.

4. (Figur 7) Koppla in **stoppspaken (1)**.
5. (Figur 2) För att fästa det återfjädrande starthandtaget (1) på snörstyrningen (2), tvinninga snöret genom snörstyrningen (2) monterat på handtagets högra sida.

OBS: Om du inte kan fästa det återfjädrande starthandtaget på grund av att snöret är för kort, håll motorns stoppspak mot handtaget. Dra sakta i det återfjädrande starthandtaget.

Att justera handtagets höjd

(Figur 3 och Figur 4) Handtagsfästet (1) har två monteringslägen. Ett **HÖGT (3)** och ett **LÅGT (4)** läge. Det **HÖGA (3)** läget höjer handtaget cirka 10 cm.

1. (Figur 1) Demontera **vingmuttrarna (6)** och bultarna från det vänstra och högra **handtagsfästet (2)**.
2. (Figur 3) För att höja handtaget, monterar man det **lägre handtaget (1)** i det **HÖGA (3)** läget.
3. (Figur 4) För att sänka handtaget, monterar man det **lägre handtaget (1)** i det **LÅGA (4)** läget.
4. (Figur 1) Montera det **lägre handtaget (1)** på **handtagsfästena (2)** med bultarna och **vingmuttrarna (6)**.

Gör motorn körklar

Obs: Motorn innehåller ingen **OLJA** eller **BENSIN**.

WARNING: Följ instruktionerna från motortillverkaren när det gäller vilken typ bensin och olja du ska använda. Använd alltid en specialbehållare för bensin. Rök inte när du fyller på bensin i motorn. Fyll aldrig på bensin inomhus. Stanna motorn innan du fyller på bensin. Låt motorn kallna i flera minuter.

OBS: Verklig kontinuerlig effekt kommer sannolikt att vara lägre pga driftsbegränsningar och miljöfaktorer.

Se efter i motortillverkarens instruktioner vilken typ av olja och bensin som skall användas. Läs informationen om säkerhet, drift, skötsel och innan du använder traktorn.

F-050445L

Installera och ta bort mullningstillbehör



WARNING: Innan du tar bort eller installerar mullningstillbehöret ska du koppla loss kabeln till tändstiftet.

På somliga modeller är mullningstillbehöret installerat på fabriken. Om du vill byta från mullningstillbehör till sidoutsläpp, ta bort skärmen. En klippare med sidoutsläpp kan göras om till en klippare med mullningstillbehör genom att du installerar mullningstillbehöret på följande sätt:

1. (Figur 6) Lyft upp **avledningsrännan (1)**.
2. Montera **fliken (3)** på ovansidan av **skärmen (2)** på insidan av klippuset.
3. (Figur 5) Montera **fliken (4)** i botten på **skärmen (2)** på insidan av klippuset.
4. Sänk ner **avledningsrännan (1)**.

Mullningstips

När du gör mullning klipps gräset i korta bitar så att det kan lämnas på gräsmattan. På grund av att näringsämnen på så sätt återvinns behövs det mindre gödningsmedel. För att göra mullning riktigt, följ anvisningen nedan:

- Gräset måste vara torrt. Om gräset är vått är det svårt att klippa och det blir tunga gräsklumpar.
- Gräset får inte vara alltför högt. Maxhöjd att klippa effektivt är ca 11 cm. Sätt höjdreglagen så att endast den övre tredjedelen av gräset klipps.
- Om gräset är mer än ca 11 cm högt måste du klippa det två gånger. För första klippningen sätt höjdreglagen i högsta positionen. Sänk sedan höjdreglagen när du klipper andra gången.

- Se till att bladets egg är skarp. Om bladet är slött blir gräsändarna bruna.
- Rengör undersidan av gräsklipparens kåpa. Gräs och annat skräp kan hindra att klipparen fungerar korrekt.

Om kvaliteten på klippningen är marginell försök följande:

- Sätt höjdreglagen på en högre klipp höjd.
- Klipp gräset oftare.
- Kör klipparen med lägre markhastighet.
- Överlappa klippstråket i stället för att klippa hela bredden varje gång.
- Klipp tvärs över de marginella ställena en gång till.

DRIFT

OBS: Illustrationer och symboler börjar på sidan 2.

Motorstoppreglage (Figur 7)

Släpp **motorns stoppreglage (1)**. Motorn och bladet stannar automatiskt. För att köra motorn, håll **motorns stoppreglage (1)** i **körposition (2)**.

Innan du startar motorn, hantera **motorns stoppreglage (1)** flera gånger. Se till att kabeln rör sig lätt.

Stoppa motorn (Figur 7)

För att stoppa motorn släpper du **motorns stoppreglage (1)**. Koppla loss kabeln från tändstiftet för att förhindra att motorn startar.

Om motorn inte stannar håller du en skruvmejsel mot tändstiftet och mot motorns kylflänsar. Gnistan jordas och motorn stannar. Innan du startar motorn, kontrollera motorns stoppkabel. Se till att motorns stoppkabel är korrekt ihopsatt. Innan du kör enheten, byt ut motorns stoppkabel om den är böjd eller skadad.

Framhjulsdrivsystemet (Figur 8)

Klipparen är framhjulsdriven. Handna drivsystemet enligt följande.

1. Håll **motorstoppspaken (1)** i **KÖR-läget**.
 2. Tryck **körspaken (2)** helt framåt. När **körspaken (2)** klickar, släpp den. Drivsystemet är nu inkopplat.
- OBS:** För att stanna motorn, släpp **motorstoppspaken**.
3. För att koppla ur drivsystemet och stanna motorn, släpp **motorstoppspaken (1)** helt.
 4. För att endast koppla ur drivsystemet släpper man **motorstoppspaken (1)** cirka 5 cm. Drivsystemet kopplas ur men motorn fortsätter att gå.



WARNING: För att vara säker att köra måste drivsystemet omedelbart koppla ur när du släpper **körspaken**. Om drivsystemet inte kopplar ur korrekt, kör inte klipparen förrän drivsystemet har blivit justerat eller reparerat hos en auktoriserad reparatör.

Starta motorn (Figur 9 och Figur 10)



WARNING: Kniven roterar när motorn körs.

1. Kontrollera oljan.
 2. Fyll bränsletanken med blyfri bensin. Se "Hur man förbereder motorn."
 3. Se till att tändstiftskabeln är kopplad till tändstiftet.
 4. Se till att körreglaget är i läget **URKOPPLAD**.
 5. (Figur 9) **Flödesknappen (1)** sitter på sidan av motorn. Tryck på **flödesknappen (1)** fem gånger. Vänta två sekunder varje gång du tryckt på **flödesknappen (1)**.
- OBS:** Använd inte **flödesknappen** till att starta motorn när den är varm.
6. (Figur 10) Stå bakom gräsklipparen. Håll **motorns stoppreglage (1)** med ena handen i körposition enligt bilden. Håll **startsnörets handtag (2)** med andra handen.
 7. Dra hastigt i **startsnörets handtag (2)**. Låt **handtaget (2)** långsamt slira tillbaka.
 8. Om motorn inte startar efter 5 eller 6 försök, se instruktion i "Felsökningsschema".

UNDERHÅLL

OBS: Illustrationer och symboler börjar på sidan 2.

Underhåll av motor

Med hjälp av följande underhållssektion håller du din enhet i gott skick. All information om underhåll av motorn finns i "Instruktionsbok för motorn." Läs denna bok innan du startar motorn.



WARNING: Innan du inspekterar, justerar (med undantag av förgasaren) eller reparerar enheten skall du alltid lossa tändstiftskabeln.

Tippa motorn (Figur 20)

Vid service av motorn, inspektion av bladet eller rengöring på undersidan av gräsklipparens kåpa; se alltid till att tändstiftet är ur då motorn tippas. Om motorn transporteras eller tippas med tändstiftet i kan detta orsaka att:

- Motorn blir trögstartad.
- Motorn ryker.
- Tändstiftet felar.
- Luftfiltret blir indränkt av olja eller bränsle.

Smörjning

1. För maximal prestation, smörj hjulen och svängtapparna var 25:e timma.
2. När du ska smörja motorn, läs i instruktionsbok för motorn.

OBS: Smörj inte motorns stoppkabel. Smörjmedel skadar kabeln och hindrar kabeln att röra sig fritt. Byt ut kabeln om den är böjd eller skadad.

Rengöra klipparens hölje



WARNING: Kniven roterar när motorn körs. Innan du rengör klipparens hölje, stanna motorn och koppla ur kabeln ur tändstiftet.

Gräs och annat skräp kan förorsaka att gräsklipparen inte fungerar riktigt. Rengör klipparens hölje efter klippning enligt följande:

1. Stanna motorn.
2. Koppla ur kabeln ur tändstiftet.
3. Rengör över- och undersidan av klipparens hölje.

Justera klipphöjden (Figur 11)



WARNING: Kniven roterar när motorn körs. Innan du ändrar klipphöjden, koppla ur kabeln ur tändstiftet.

När du vill ändra klipphöjden, flytta läget på justeringsarmen (1) vid varje hjul. Se till att varje justeringsarm (1) är i samma läge så att gräset blir klippt vågrätt.

1. Koppla ur justeringsarmen (1).
2. Flytta justeringsarmen (1) till ett annat läge.

Tar bort drivremmen

När du vill ta bort drivremmen ska du göra följande:



WARNING: Innan du tar bort remmen koppla bort kabeln från tändstiftet.

1. (Figur 13) Ta bort remhöljet (1).
2. (Figur 14) Lossa remspänningsbulten (2).
3. Lyft av drivremmen (3) från drivskivan (4).
4. (Figur 15) För att lossa bakre delen av drivremmen (3), Trä drivremmen (3) över tallriken (4).

OBS: Ersätt endast drivremmen med en originalrem.

5. Gör i omvänd ordning för att montera drivremmen (3).
6. (Figur 16) Justera remspänningen.
 - a. Drag åt justermuttern (5) så att den vrids mot brickan (6). Försök att vrida brickan (6). Då justermuttern (5) ligger an mot brickan (6) kan brickan (6) inte vridas.

- b. Lossa därefter justermuttern (5) så mycket att brickan (6) går att vrida. Drivremmens (3) spänning är nu inställd.

7. (Figur 13) Montera remskyddet (1).

8. Innan du börjar klippa gräs, se till att drivsystemet kopplar loss på ett riktigt sätt och att gräsklipparen stannar. Om drivsystemet inte kopplar loss, tar du gräsklipparen till en auktoriserad servicecentral innan du kör gräsklipparen.

Hur man justerar drivkabeln (Figur 12)



WARNING: Innan drivkabeln justeras, aktivera motorstoppet och vända tills motorn stannat.

Om drivsystemet inte kopplas in och ur på rätt sätt, kontrollera att handtaget är rätt monterat. Säkerställ att alla delar är hela och att samtliga fästelement är åtdragna.

Utslitna delar och uttänjd kabel påverkar drivsystemets funktion. Vid klippning i högt eller tjockt gräs eller på sluttande underlag kan drivsystemet slira. Om drivsystemet slirar, justera enligt följande eller låt ett auktoriserat servicecenter åtgärda problemet.

VIKTIGT: Innan du startar motorn skall motorstoppet aktiveras flera gånger. Kontrollera att motorstoppskabeln glider fritt.

OBS: Motorkonstruktionen har inte gasreglage eller varvtalsinställning. Motorn är inställd på bästa hastighet för klippning och insamling av gräs och för extra lång driftslängd.

1. Om drivsystemet slirar, vrid kabeljusteringen (1) ett varv i den riktning som visas i illustrationen. Testa drivsystemet och kontrollera om det slirar.
2. Om drivsystemet fortfarande slirar, vrid kabeljusteringen (1) ytterligare ett varv för att korta kabeln. Testa drivsystemet igen.
3. Upprepa justeringen och testa tills drivsystemet inte längre slirar.
4. Innan du börjar klippa, kontrollera att drivsystemet kopplas in korrekt och att gräsklipparen kan stängas av. Låt ett auktoriserat servicecenter åtgärda problemet innan gräsklipparen tas i bruk om drivsystemet inte kan kopplas in.

Byta ut mullningskniven

En klippare för mullning är utrustad med en särskild mullningskniv. Om mullningskniven blir nött eller skadad ersätt den med en originalreservdel. Vilken kniv som helst i handeln skär inte korrekt och kan förorsaka en olycka.

Underhåll av kniven



WARNING: Innan du inspekterar kniven eller knivadaptern, koppla ur kabeln till tändstiftet. Om kniven slår mot något föremål, stoppa motorn. Koppla ur kabeln till tändstiftet. Kontrollera om enheten har några skador.

Kontrollera kniven ofta med tanke på slitage eller skada som t ex sprickor. Kontrollera bulten som håller fast kniven ofta. Se till att bulten är ordentligt åtdragen. Om kniven träffar något föremål, stoppa motorn. Koppla ur kabeln till tändstiftet. Kontrollera att knivadaptern inte är skadad. Kontrollera att kniven inte är böjd, mycket nött eller på annat sätt skadad. Innan du kör enheten måste du ersätta skadade delar med originalreservdelar. Av säkerhetsskäl ska du byta ut kniven vartannat år. Se till att kniven är skarp. Ett blad som inte är skarpt förorsakar att gräsändarna blir bruna. Ta bort kniven enligt följande.

Ta bort kniven (Figur 17 och Figur 18)



WARNING: Innan du tar bort kniven, koppla ur kabeln till tändstiftet. Kniven är vass. Använd handskar eller en tygbit när du hanterar kniven så att du skyddar dina händer.

1. Töm bränsletanken.
2. Lyft sidan av klipparen där ljuddämparen eller tändstiftet sitter.
3. Sätt i en träbit så att kniven inte roterar.
4. Ta bort bulten (1) som håller kniven (2).
5. Kontrollera kniven enligt "Knivserviceinstruktionerna". Ersätt ett mycket nött eller skadad kniv med en originalreservdel.
6. Montera kniven med de rundade eggarna mot höljet. Om kniven är monterad upp och ned klipper den inte korrekt och kan förorsaka en olycka.
7. Sätt ihop kniven (2) med de ursprungliga brickorna (3 och 4) och bulten (1). Se till att de utsides kanterna på bellevillefjädrarna (4) är riktade mot kniven (2).
8. Dra åt bulten (1) som håller kniven (2) med ett vridmoment av 40 Nm.



WARNING: Se alltid till att bulten (1) som håller kniven (2) är åtdragen ordentligt. En lös bult (1) eller kniv (2) kan förorsaka en olycka.

Kontrollera att klipparen klipper vågrätt

Testa enheten på en liten yta. Om gräset inte är vågrätt klippt, kan orsaken vara: (1) kniven är böjd eller skadad, (2) kniven är slö, (3) kniven är nött eller (4) knivadaptern är trasig. Rätta till problemet innan du använder enheten.

Fäll ihop handtaget för förvaring (Figur 19 och Figur 1)

WARNING: Var försiktig när du fäller ihop eller fäller upp handtaget. Skada inte kablarna. En böjd kabel fungerar inte korrekt. Byt ut en böjd eller skadad kabel innan du använder enheten.

Fälla ihop handtaget

1. (Figur 19) Lossa skruvarna som håller ihop den övre delen av handtaget med den undre delen. Se till att kablarna inte är nära de lösa skruvarna medan du fäller handtaget. De kan lätt skadas. Roterar övre delen av handtaget mot baksidan av enheten.
2. (Figur 1) Lossa knopparna på det lägre handtaget (1). Tryck in det lägre handtagets (1) ändar. Flytta det lägre handtagets (1) ändar förbi låsflikarna (2).
3. Roterar handtaget framåt över motorn. Se till att kablarna inte är skadade.

Fälla upp handtaget

1. Dra handtaget bakåt tills det **lägre handtagets (1)** ändrar låser sig.
2. Lyft den övre delen av handtaget till körläget. Dra åt skruvarna som håller fast handtaget.

Göra i ordning klipparen för förvaring



WARNING: Håll aldrig ur bensen inomhus, nära eld eller medan du röker. Bensinångor kan förorsaka explosion eller eldsvåda.

1. Töm bensintanken.
2. Låt motorn gå tills bensen tar slut.
3. Töm ut oljan ur den varma motorn. Fyll vevhuset med ny olja.
4. Ta ut tändstiftet ur cylindern. Håll i 28 ml olja i cylindern. Dra långsamt i startsnörets handtag så att oljan skyddar cylindern. Sätt i ett nytt tändstift i cylindern.
5. Ta bort smuts och skräp från cylinderns kylfenor och motorns hölje.
6. Rengör klipparens höljes undersida.
7. Rengör klipparen fullständigt för att skydda färgen.
8. Förvara enheten i en byggnad som är väl ventilerad.

Hur man beställer reservdelar

Traktorns reservdelslista hittar du antingen på de sista sidorna i handboken eller i en särskild reservdelsbok.

Använd endast reservdelar som är godkända av tillverkaren. Bokstaven som står sist i reservdelsnumret visar vilken ytbehandling delen har; C står för krom och Z för zink. PA står för inköpt enhet. Det är viktigt att du anger bokstäverna när du beställer reservdelarna. Använd endast tillbehör som är särskilt avsedda för traktorn. För att du skall kunna få rätt reservdelar, måste du uppge traktorns modellnummer (se märkplåten).

Reservdelar, förutom motor, transmission, axlar och differential, kan köpas där du köpte traktorn eller i den serviceverkstad som affären rekommenderar.

Om du inte kan få tag på reservdelar på det sätt som beskrivs ovan, är du välkommen att kontakta:

HAYTER LIMITED,
Service Department,
Spellbrook,
Bishop's Stortford,
Hertfordshire. CM23 4BU.

MURRAY, INC.

International Sales
P.O. Box 268
Brentwood, Tennessee USA 37024
1-800-251-8007
Fax (615) 373-6633

Reservdelar för motorn, axlarna och transmissionen kan du köpa i de auktoriserade serviceverkstäder som står i Gula Sidorna. Se också motorns och transmissionens särskilda garanti-brev för beställning av reservdelar.

När du beställer reservdelar skall följande information uppges:

- (1) Modellnummer
- (2) Serienummer
- (3) Reservdelsnummer
- (4) Antal

FELSÖKNINGSSHEMA

Motorn startar inte.

1. Se till att bränsletanken är full med ren bensen. Använd inte gammal bensen.
2. Om motorn är kall, tryck på **flödesknappen** (tillbehör till somliga modeller) fem gånger.
3. Se till att kabeln till tändstiftet är kopplad till tändstiftet.
4. Justera förgasaren. Se instruktionsbok för motorn.
5. Det finns för mycket bensen i motorcylindern. Ta ut och rengör tändstiftet. Dra i startsnörets handtag flera gånger. Installera tändstiftet. Koppla kabeln till tändstiftet. Starta motorn.
6. Motorn är svår att starta i tjockt eller högt gräs. Flytta klipparen till en ren och torr yta.
7. Se till att motorns stoppreglage är i körläget.
8. Se till att bränsleventilen är i läget PÅ. Se "Instruktionsbok för motorn".

Motorn stannar inte

1. Släpp motorns stoppreglage.

2. Kontrollera motorns stoppkabel. Byt ut kabeln om den är böjd eller skadad.

Motorns prestanda är dålig

1. Kontrollera höjden på klippläget. Hög klippläget om gräset är långt.
2. Kontrollera botten på knivhöljet. Ta bort gräs och annat skräp ur knivhöljet.
3. Kontrollera kabeln till tändstiftet. Se till att kabeln är inkopplad.
4. Gör ren motorns kylfenor. Ta bort gräs och annat skräp.
5. Kontrollera förgasarinställningarna. Se instruktionsbok för motorn.
6. Kontrollera tändstiftets gap. Ställ in tändstiftets gap på 0,75 mm.
7. Kontrollera mängden olja i motorn. Fyll på olja om det behövs.
8. Kontrollera motorns luftrenare. Se instruktionsbok för motorn.
9. Bensen är dålig. Töm och rengör bränsletanken. Fyll tanken med bensen.

Starka vibrationer.

1. Ta bort kniven. Kontrollera kniven och balansera om nödvändigt. Se instruktionerna för knivunderhåll.
2. Kontrollera om kniven är böjd eller trasig. EN SKADAD KNIV ÄR FARLIG OCH MÅSTE ERSÄTTAS.
3. Kontrollera knivadaptern. BYT UT EN TRASIG KNIVADAPTER.
4. Ta klipparen till en auktoriserad reparatör om vibrationerna fortsätter.

Gräset släpps inte ut korrekt.

1. Rengör botten av klipparens hölje.
2. Kontrollera om kniven har blivit mycket nött. Av säkerhetsskäl ska du byta ut kniven varannat år. Ersätt med originalreservdel.

Gräset är inte jämt klippt.

1. Kontrollera höjjusteringen vid varje hjul. Höjjusteringen måste vara samma vid varje hjul.
2. Se till att kniven är skarp.
3. Kontrollera om kniven är böjd eller trasig. EN SKADAD KNIV ÄR FARLIG OCH MÅSTE ERSÄTTAS.
4. Kontrollera knivadaptern. BYT UT EN TRASIG KNIVADAPTER.

SISÄLLYS

KANSAINVÄLISET KUVAMERKIT	47
KÄYTTÄJÄLLE TIEDOKSI	48
TURVALLINEN KÄYTTÖ	48
KOKOONPANO	49
KÄYTTÖ	49
KUNNOSSAPITO	49
VIANETSINTÄOPAS	51

MURRAY, INC.

KAHDEN VUODEN RAJOITETTU TAKUU

Murray, Inc. takaa alkuperäiselle ostajalle **kahdeksi (2) vuodeksi** ostopäivästä lukien, että tässä laitteessa ei tule olemaan raaka-aineista tai työnlaadusta johtuvia vikoja normaalissa käytössä ja huollossa seuraavin poikkeuksin: tämä takuu ei kata moottoreita, lisävarusteita (kuten lumilinkoja, lumiauroja, ruohonkääjääjä ja auroja), voimansiirtolaitteistoja, akkuja ja "normaaleja kulumia osia" (alla olevin poikkeuksin) tai vaihteistoja, sillä näiden valmistajat antavat omat takuunsa näille laitteille ja tarjoavat niiden huollon omien valtuutettujen huoltopisteidensä kautta. Lisätietoja näistä löydät tutustumalla kyseisten laitteiden takuuohjeisiin. Mikäli et tiedä, onko laitteessasi tällaisia osia tai varusteita, niin ota yhteys jälleenmyyjäsi ennen laitteen ostamista. Tässä rajoitetussa takuussa mainit-

tujen ehtojen ja varausten mukaisesti sitoudumme harkintamme mukaan korjaamaan tai vaihtamaan tämän takuun alaiset osat takuun voimassaoloaikana alkuperäiselle ostajalle. Mikäli akku osoittautuu vialliseksi yhdeksänkymmenen (90) päivän kuluessa ostopäivästä, niin vaihdamme sen veloituksetta uuteen. Mikäli akku osoittautuu vialliseksi yli yhdeksänkymmentä (90) mutta alle satakaksikymmentä (120) päivää ostopäivästä lukien, niin veloitamme sen vaihtamisesta uuteen puolet (1/2) vastaavanlaisen akun hinnasta palautushetkellä. "Normaalit kuluvat osat" tarkoittavat hihnoja, teriä, terien kiinnikkeitä, paineilmarenkaita, ajovaloja ja istuimen päällisiä. Takaamme, että näissä osissa ei ole raaka-aineista tai työnlaadusta johtuvia vikoja laitetta luovutettaessa. "Normaalien kuluvien osien" korjausta tai uusimista koskevat vaatimukset on tehtävä kolmenkymmenen (30) päivän kuluessa ostopäivästä. Emme hyväksy käytön tai väärinkäytön seurauksena syntyneitä vahinkoja koskevia korvausvaatimuksia. Tähän **Murray, Inc. kahden (2) vuoden rajoitettuun takuuseen** perustuvan korvausvaatimuksen tekemiseksi toiminta laite (tai viallinen osa, mikäli sovitut etukäteen) ostotodistuksesi kanssa alueellasi olevaan valtuutettuun huoltopisteeseen. Lähimmän huoltopisteen löytämiseksi soita alueesi päävaraosaliikkeeseen, jonka nimen löydät laitteen mukana tulleesta luettelosta tai puhelinluettelon keltaisilta sivuilta. Jos pa-

lautat laitteen kokonaisuudessaan, korjaamme sen. Jos olemme valtuuttaneet viallisen osan palauttamisen, niin me joko uusimme tai korjaamme sen. Mikäli vika on voimansiirrosta tai tasaussyörästössä (erotukseksi vaihteistosta) on koko voimansiirto tai tasaussyörästö toimitettava takaisin, koska niissä ei ole käyttäjän huollettavia osia.

Tämä **Murray, Inc. kahden (2) vuoden rajoitettu takuu** antaa Sinulle tietyt lailliset oikeudet ja Sinulla voi olla myös muita oikeuksia, jotka vaihtelevat maittäin. **Tämä rajoitettu takuu on annettu kaikkien muiden julki lausuttujen ja hiljaisten takuiden asemesta. Näihin muihin takuihin kuuluu hiljaiset takuut tuotteen kauppakelpoisuudesta ja käyttökelpoisuudesta.** Jos tarvitset lisätietoja tästä kirjallisesta takuusta tai apua huollon saamisessa, niin kirjoita osoitteeseen:

HAYTER LIMITED,
Service Department,
Spellbrook,
Bishop's Stortford,
Hertfordshire. CM23 4BU.

MURRAY, INC.
International Sales
P.O. Box 268
Brentwood, Tennessee USA 37024
1-800-251-8007
Fax (615) 373-6633

KANSAINVÄLISET KUVAMERKIT

TÄRKEÄÄ: Seuraavat kuvamerkit sijaitsevat laitteessasi tai sen mukana tulleessa kirjallisuudessa. Opettele ja ymmärrä näiden kuvamerkkien merkitykset ennen kuin käytät konetta.

HUOMAA: Kuvat ja kuvamerkit alkavat sivulta 2.

Turvallisuuteen liittyvät varoittavat kuvamerkit (kuva 21)

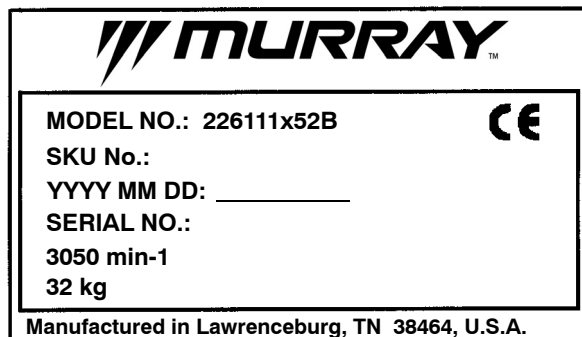
1 Varoitus

- 2 **TÄRKEÄÄ:** Lue käyttöohjeet ennen tämän koneen käyttöä.
- 3 **VAROITUS:** Sinkoilevia esineitä. Pidä sivustakatsojat kaukana. Lue käyttöohjeet ennen tämän koneen käyttöä.
- 4 Älä leikkaa rinteitä ylös ja alas. Leikkaa rinteet poikisuunnassa.
- 5 **VAARA:** Älä astu.
- 6 **VAARA:** Pidä jalat ja kädet pois pyörivästä terästä.
- 7 Ilmoitettu äänen tehotaso (100 dB(A)) on direktiivin 2000/14/EY mukainen.

- 8 **VAARA:** Irrota syytystulpan johto ennen koneen huoltamista.
- 9 **VAARA:** Älä avaa tai poista suojakilpiä moottorin ollessa käynnissä.

Hallintaan ja käyttöön liittyvät kuvamerkit (kuva 22)

- 1 Hidas
- 2 Nopea
- 3 Moottorin pysäytys
- 4 Moottorin käynnistys
- 5 Öljy
- 6 Polttoaine
- 7 Eteenpäin



Ilmoitetut värinätasot ovat direktiivin 98/37/EY mukaisia.

Värinätaaso standardin EN 836/A2:2001 mukaan: 6,95 m/s².

Arvot mitattu työntöaisan tasolla koneen käydessä paikallaan betonipinnalla nopeudella 3050 r/min.

Ilmoitettu äänen tehotaso (100 dB(A)) on direktiivin 2000/14/EY mukainen.

Äänenpainetaso käyttäjän paikalla 84 dB.

Arvot mitattu korvan tasolla direktiivin EN 836/A2:2001 mukaisesti.

KÄYTTÄJÄLLE TIEDOKSI

Tunne koneesi: koneen ja sen toiminnan ymmärtäminen auttavat Sinua saamaan koneestasi parhaan mahdollisen hyödyn. Lukiessasi näitä käyttöohjeita vertaa siinä olevia kuvia laitteeseesi. Opettele hallintalaitteiden sijainti ja toiminta. Onnettomuuksien estämiseksi seuraa käyttöohjeita ja turvamääräyksiä. Säilytä tämä käyttöohjekirja myöhempiä tarvetta varten.



VAROITUS: Tämä kuva on merkinä tärkeästä työturvallisuuttasi koskevasta vaarasta. Sen sanomana on: "Huomio! Ole varuillasi! Turvallisuutesi on vaarassa."

Omistajan vastuu



VAROITUS: Tämä leikkuri pystyy katkaisemaan käsiä ja jalkoja sekä sinkoamaan maassa olevia esineitä. Seuraavien turvallisuusohjeiden noudattamatta jättämisestä voi olla seurauksena vakavia vammoja tai jopa käyttäjän tai sivullisen kuoleminen.

Omistajan velvollisuutena on seurata alla annettuja ohjeita.

TURVALLINEN KÄYTTÖ

Ajettavat vaakatasoleikkurit

Harjoittelu

1. Lue käyttöohjeet huolellisesti. Tutustu hallintalaitteisiin ja koneen oikeaan käyttöön.
2. Älä koskaan anna lasten tai näitä ohjeita tuntemattomien henkilöiden käyttää ruohonleikkuria. Paikallisissa säännöksissä voi olla käyttäjän ikää koskevia rajoituksia.
3. Älä koskaan käytä leikkuria, kun ihmisiä, varsinkin lapsia, tai lemmikkieläimiä on koneen lähistöllä.
4. Muista, että koneen käyttäjä on vastuussa muille ihmisille tai heidän omaisuudelleen aiheuttamistaan onnettomuuksista ja vahingoista.

Valmistautuminen

1. Nurmikkoa ajaessasi käytä aina tukevia kenkiä ja pitkiä housuja. Älä käytä tätä laitetta paljain jaloin tai avoimissa sandaaleissa.
2. Tarkista huolellisesti alue, jossa leikkuria aiotaan käyttää, ja poista maassa olevat esineet, jotka kone voi singota niihin osueensa.
3. **VAROITUS - Bensiini on erittäin tulenarkaa.**
a. Säilytä polttoaineen varastosäiliöt tätä tarkoi-

tusta varten tehdyissä tiloissa.

- b. Tankkaa vain ulkotiloissa äläkä tupakoi tankatessasi.
 - c. Lisää polttoainetta ennen moottorin käynnistämistä. Älä koskaan avaa polttoainesäiliön korkkia tai lisää polttoainetta moottorin ollessa käynnissä tai kuuma.
 - d. Jos polttoainetta läikkyä tai vuotaa yli, niin älä käynnistä moottoria, vaan siirrä laite pois alueelta ja pidä kaikki mahdolliset sytytyslähteet poissa alueelta, kunnes bensiinihöyryt ovat haihtuneet.
 - e. Sulje polttoainesäiliön ja varastosäiliöiden korit huolellisesti.
4. Uusi vialliset äänenvaimentimet.
 5. Ennen käyttöä tarkista aina, että terät, terien pultit ja teräkokonaisuus eivät ole kuluneet tai vahingoittuneet. Uusi kuluneet tai vioittuneet terät ja pultit sarjoina tasapainon säilyttämiseksi.
 6. Ole erityisen huolellinen moniteräisten leikkureiden kanssa, sillä yhden terän pyörittäminen voi saada myös muut terät pyörimään.

Käyttö

1. Älä käytä laitetta umpinaisessa tilassa, johon voi keräytyä vaarallista, pakokaasuissa olevaa hiilimonoksidia.
2. Käytä leikkuria ainoastaan päivänvalossa tai hyvässä keinovalossa.
3. Vältä mahdollisuuksien mukaan laitteen käyttöä märällä nurmikolla.
4. Varmista aina jalansijasi rinteissä.
5. Kävele, älä koskaan juokse.
6. Itsevetäviä ruohonleikkureita käyttäessäsi aja aina rinteiden poikki - älä koskaan suoraan ylös ja alas.
7. Ole erittäin varovainen vaihtaessasi suuntaa rinteillä.
8. Älä leikkaa jyrkkiä rinteitä.
9. Ole erittäin varovainen liikkeessäsi taaksepäin tai vetäessäsi leikkuria itseäsi kohden.
10. Pysäytä terät, jos joudut kallistamaan leikkuria siirtäessäsi sitä muiden kuin ruohopintojen yli tai kuljettaessasi leikkuria leikkuupaikalle tai sieltä pois.
11. Älä koskaan käytä leikkuria, jossa on viallisia suoja- tai kilpiä tai jonka turvavarusteet (esim. suojakilvet ja/tai ruohonkerääjät) eivät ole paikoillaan.
12. Älä muuta moottorin säätöjä tai käytä moottoria ylinopeudella.
13. Ennen moottorin käynnistämistä kytke pois terä(t) ja laitteen vetopyörästö.

14. Vedä tai kytke moottori käyntiin varovasti ohjeiden mukaan ja pidä jalat kaukana teristä.
 15. Älä kallista leikkuria sitä käynnistäessäsi, ellei sitä tarvitse kallistaa käynnistystä varten. Tarvittaessa kallista vain sen verran kuin ehdottomasti välttämätöntä ja nosta vain itsestäsi pois päin olevaa leikkurin osaa.
 16. Älä käynnistä moottoria seisossasi poistoaukon edessä.
 17. Älä pane käsiä tai jalkoja pyörivien osien lähelle tai alle. Pysy aina pois poistoaukon edestä.
 18. Älä koskaan nosta tai kannaa leikkuria sen moottorin ollessa käynnissä.
 19. Pysäytä moottori ja irrota sytytystulpan jouto.
 1. ennen tukosten poistamista ja poistoaukon puhdistamista;
 2. ennen leikkurin tarkastamista, puhdistamista tai huoltamista;
 3. maassa olevaan esineeseen osumisen jälkeen. Tarkista mahdolliset vauriot ja korjaa ne ennen laitteen uudelleen käynnistämistä ja käyttöä;
 4. jos laite alkaa täräistä epänormaalisti (tarkasta välittömästi).
 20. Pysäytä moottori
 1. aina, kun jätät leikkurin;
 2. ennen polttoaineen lisäämistä;
 21. Pienennä kaasua moottoria sammuttaessasi, ja mikäli moottori on varustettu sulkuventtiilillä, niin sulje polttoaineen kulku leikkaamisen päätteeksi.
 22. Ole erityisen varovainen läheystyössäsi kuolleita kulumia, pensaita, puita tai muita näkyvyyttä rajoittavia tekijöitä.
- #### Kunnossapito ja säilytys
1. Pidä kaikki mutterit, pultit ja ruuvit kireällä, jotta laite pysyy turvallisessa työkunnossa.
 2. Älä koskaan varastoi laitetta, jonka tankissa on polttoainetta, tilassa, missä polttoainekaasut voivat joutua kosketukseen tulen tai kipinöiden kanssa.
 3. Anna moottorin jäähtyä ennen laitteen varastointia suljetussa tilassa.
 4. Palovaaran pienentämiseksi pidä moottori, äänenvaimennin, akun ympäristö ja polttoaineen varastointipaikka puhtaana ruohosta, lehdistä ja ylimääräisestä rasvasta.
 5. Tarkista ruohonkerääjän kuluminen ja vauriot säännöllisesti.
 6. Uusi kuluneet tai vaurioituneet osat turvallisuuden vuoksi.
 7. Mikäli polttoainesäiliö on tyhjennettävä, on se tehtävä ulkotiloissa.

KOKOONPANO

HUOMAA: Kuvat ja kuvamerkit alkavat sivulta 2.

Ohjeet pakkauksesta purkamiseksi

Leikkuri on täysin koottu tehtaalla. Leikkuri on pakattu sen työntöaisa varustointiasennossa. Laita työntöaisa käyttöasentoon seuraamalla alla olevia ohjeita.

1. **(Kuva 1)** Ota leikkuri esille pakkauksesta.
2. Käännä **työntöaisan alaosa (1)** käyttöasentoon. Varmista, että **työntöaisan alaosa (1)** on **pidikekielien (2)** välissä.
3. Käännä **työntöaisan yläosa (3)** käyttöasentoon. Kiristä **kiinnitysruuvit (4)**.

VAROITUS: Ole varovainen laskiessasi ja nosttaessasi työntöaisaa. Älä vahingoita vaijereita. Taittunut vaijeri ei toimi kunnolla. Uusi taittuneet tai vahingoittuneet vaijerit ennen koneen käyttöä.

4. **(Kuva 7)** Kytke moottorin pysäytysvipu (1).
5. **(Kuva 2)** Kiinnitä itsekelaatuvan käynnistimen kädensija (1) narun ohjaimen (2) kiertämällä naru työntöaisan oikealla puolella olevan **narun ohjaimen (2)** läpi.

HUOMAA: Jos et saa kiinnitettyä itsekelaatuvan käynnistimen kädensijaa, koska naru on liian lyhyt, pidä moottorin käynnistysvipua työntöaisaa vasten. Vedä hitaasti itsekelaatuvan käynnistimen kädensijasta.

Työntöaisan korkeuden säätäminen

(Kuva 3 ja kuva 4) Työntöaisan kannattimella (1) on kaksi asentoa. **KORKEA (3)** ja **MATALA (4)** asento. **KORKEA (3)** asento nostaa työntöaisaa noin 10 cm.

1. **(Kuva 1)** Irrota siipimutterit (6) ja pultit oikean- ja vasemmanpuoleisista **työntöaisan kannattimista (2)**.
2. **(Kuva 3)** Nosta työntöaisaa kiinnittämällä **työntöaisan alaosa (1)** **KORKEA (3)** -asentoon.
3. **(Kuva 4)** Laske työntöaisaa kiinnittämällä **työntöaisan alaosa (1)** **MATALA (4)** -asentoon.
4. **(Kuva 1)** Kiinnitä **työntöaisan alaosa (1)** työntöaisan kannattimiin (2) pulteilla ja siipimuttereilla (6).

Moottorin käyttökuntoon saattaminen

Huomaa: Moottorissa ei ole ÖLJYÄ eikä BENSIINIÄ.



VAROITUS: Seuraa moottorin valmistajan antamia ohjeita käytettävän polttoaineen ja öljyn tyyppistä.

Käytä aina turvallista polttoainesäiliötä. Tupakointi on aina kielletty laitetta tankattaessa. Älä lisää polttoainetta suljetussa tilassa. Ennen polttoaineen lisäämistä sammuta moottori ja anna sen jäähtyä useita minuutteja.

HUOMAA: Todellinen teho on todennäköisesti pienempi käyttörajoitusten ja ympäristötekijöiden vuoksi.

Katso moottorin valmistajan antamista ohjeista käytettävän polttoaineen ja öljyn tyyppi. Ennen laitteen käyttöä lue turvallisuutta, käyttöä, kunnossapitoa ja säilytystä koskevat ohjeet.

Ruuhonsilppurivarustuksen irrottaminen ja asentaminen

F-050445L



VAROITUS: Ennen ruuhonsilppurivarustuksen irrottamista tai asentamista irrota sytytustulpan johto.

Eräissä malleissa ruuhonsilppurivarustus on jo asennettu tehtaalla. irrota silppurilevy.

Sivusta ulosheittävä leikkurin voi muuttaa silppuavaksi leikkuriksi asentamalla ruuhonsilppurivarustus seuraavasti:

1. **(Kuva 6)** Nosta poistoaukon **läppä (1)**.
2. Asenna **ohjauslevyn (2)** päällä oleva **kieleke (3)** leikkurin rungon sisäpuolelle.
3. **(Kuva 5)** Asenna **ohjauslevyn (2)** alaosassa oleva **kieleke (4)** leikkurin rungon sisäpuolelle.
4. Laske **ohjauslevy (1)** alas.

Ruuhon silppuamisohjeita

Silppuaminen leikkaa ruohon niin hienoksi, että sen voi jättää maahan ravitsemaan kasvavaa nurmikkoa. Koska ravinteet palaavat näin takaisin maahan, nurmikko tarvitsee vähemmän lannoitteita. Seuraamalla alla annettuja ohjeita saat silppuamiskäsittelyn onnistumaan parhaiten.

- Ruuhon on oltava kuivaa. Jos ruoho on märkää, niin sen leikkaaminen on vaikeaa ja leikattu ruoho jää kasoihin.
- Ruoho ei saa olla liian pitkä. Maksimikorkeus leikkaamisen onnistumiseksi on 11,5 cm (4 1/2"). Aseta leikkuukorkeuden säädin niin, että vain ylin kolmannes ruohosta tulee leikattua.
- Jos ruoho on korkeampaa kuin 11,5 cm, on se leikattava kahteen kertaan. Käytä ensimmäisellä leikkuukerralla suurinta mahdollista leikkuukorkeutta ja laske korkeutta sitten toiseksi leikkuukerraksi.
- Pidä terä terävänä. Tylsä terä saa ruohon päät muuttamaan ruskeiksi.
- Puhdista leikkurin rungon alusta. Ruoho ja muu kiinni jäänyt materiaali voivat aiheuttaa leikkurin toimintahäiriöitä.

Jos leikkuujälki ei ole riittävän hyvä, kokeile seuraavia keinoja:

- Aseta leikkuukorkeuden säätimet suuremmalle leikkuukorkeudelle.
- Leikkaa ruoho useammin.
- Työnnä leikkuria hitaammin.
- Leikkaa osaksi edellisen leikkausjäljen päällä sen sijaan, että käyttäisit hyväksesi leikkurin koko leikkuuleveyden.
- Leikkaa ongelma-alueet kahteen kertaan.

KÄYTTÖ

HUOMAA: Kuvat ja kuvamerkit alkavat sivulta 2.

Moottorin pysäytysvipu (kuva 7)

Moottori sammuu ja terä pysähtyy automaattisesti, kun vapautat **moottorin pysäytysvipun (1)**. Käyttäessäsi moottoria pidä **moottorin pysäytysvipu (1)** käyttöasennossa (2).

Ennen moottorin käynnistämistä käytä **moottorin pysäytysvipua (1)** useamman kerran. Varmista, että vaijeri liikkuu esteettä.

Moottorin pysäyttäminen (kuva 7)

Sammuta moottori vapauttamalla **moottorin pysäytysvipu (1)**. Irrota johto sytytustulpasta, jotta moottori ei voi käynnistyä.

Jos moottori ei sammu, aseta ruuvitalta vasten sytytustulppaa ja moottorin jäähdytysriipoja. Sytytyskipinä maadoittuu ja moottori sammuu. Ennen kuin käynnistät moottorin uudelleen, tarkista pysäytysvipun vaijeri. Varmista, että pysäytysvipun vaijeri on asennettu oikein. Uusi taipunut tai vahingoittunut pysäytysvipun vaijeri ennen laitteen käyttöä.

Etuvetoinen ruohonleikkuri (Kuva 8)

Ruohonleikkurissa on etuvetojärjestelmä. Käytä vetojärjestelmää seuraavasti.

1. Pidä **moottorin pysäytysvipua (1)** KÄYTTÖ-asennossa.
 2. Työnnä **vedon kytkentävipu (2)** täysin eteenpäin. Kun **vedon kytkentävipu (2)** naksahtaa, vapauta se. Vetojärjestelmä on nyt kytketty.
- HUOMAA:** Pysäytä moottori vapauttamalla **moottorin pysäytysvipu**.
3. Kytke vetojärjestelmä pois päältä ja sammuta moottori vapauttamalla **moottorin pysäytysvipu (1)** kokonaan.
 4. Halutessasi kytkeä vain vetojärjestelmän pois päältä vapauta **moottorin pysäytysvipua (1)** noin 5 cm. Vetojärjestelmä kytketty irti, mutta moottori pysyy käynnissä.



VAROITUS: Turvallisuussyistä vetojärjestelmän pitää kytkeytyä irti heti, kun vedon kytkentävipu vapautetaan. Jos vetojärjestelmä ei kytkeydy irti oikein, älä käytä leikkuria, ennen kuin valtuutettu huoltopiste on säätänyt tai korjannut vetojärjestelmän.

Moottorin käynnistäminen (kuva 9 ja kuva 10)



VAROITUS: Terä pyörii moottorin ollessa käynnissä.


1. Tarkista öljyt.
 2. Täytä polttoainesäiliö tavallisella lyijyttömällä bensinillä. Katso ohjeet kohdasta "Moottorin esivalmistelu".
 3. Varmista, että sytytustulpan johto on kiinni.
 4. Varmista, että vedon kytkentävipu on "IRTI-KYTKETTY"-asennossa.
 5. **(Kuva 9)** Rikastimen painike (1) on moottorin sivussa. Paina **rikastimen painiketta (1)** viisi kertaa. Odota joka painalluksella kaksi sekuntia.
- HUOMAA:** Älä käytä rikastimen painiketta käynnistäessäsi lämmintä moottoria.
6. **(Kuva 10)** Seiso leikkurin takana. Pidä toisella kädellä **moottorin pysäytysvipu (1)** käyttöasennossa kuvassa esitetyllä tavalla ja toisella kädellä kiinni **käynnistysnarun kahvasta (2)**.
 7. Vedä nopeasti **käynnistysnarun kahvasta (2)**. Palauta **käynnistysnarun kahva (2)** hitaasti.
 8. Jos moottori ei käynnisty 5 tai 6 kerran jälkeen, katso lisäohjeita "Vianetsintäoppaasta".

KUNNOSSAPITO

HUOMAA: Kuvat ja kuvamerkit alkavat sivulta 2.

Moottorin kunnossapito

Käytä hyväksesi seuraavia kunnossapito-ohjeita varmistaaksesi, että laitteesi pysyy hyvässä toimintakunnossa. Kaikki moottoria koskevat kunnossapito-ohjeet ovat "Moottorin käyttöohjekirjassa". Ennen moottorin käynnistämistä lue tämä kirja.

 **VAROITUS: Irrota sytytystulpan johto, ennen kuin teet minkäänlaisia tarkastus-, säätö- (paitsi kaasuuttimen säätö) tai korjaustoimenpiteitä.**

Moottorin kallistaminen (kuva 20)

Kun huollat moottoria, tarkastat terää tai puhdistat leikkurin rungon alustaa, muista kallistaa moottoria aina niin, että sytytystulppa on ylöspäin. Jos moottoria kallistetaan tai kuljetetaan niin, että sytytystulppa osoittaa alaspäin, seurauksena voi olla seuraavia ongelmia:

- moottorin käynnistäminen on vaikeaa
- moottori savuttaa
- sytytystulppa likaantuu
- öljy tai polttoaine kastelee ilmansuodattimen

Voitelu

1. Parhaan suorituskyvyn takaamiseksi voitele pyörät ja kaikki nivelkohdat moottoriöljyllä joka 25. tunti.
2. Katso moottorin voiteluohjeet "Moottorin käyttöohjekirjasta".

HUOMAA: Älä voitele moottorin pysäytysvaijeria. Voiteluaineet vahingoittavat vaijeria ja estävät sen vapaan liikkumisen. Vaihda taipunut tai vahingoittunut vaijeri uuteen.


Leikkurin rungon puhdistaminen

 **VAROITUS: Terä pyörii moottorin ollessa käynnissä. Sammuta moottori ja irrota sytytystulpan johto ennen leikkurin puhdistamista.**

Ruoho ja muu roska voivat aiheuttaa leikkurin toimintahäiriöitä. Puhdista laite leikkuaan jälkeen seuraavasti.

1. Sammuta moottori.
2. Irrota sytytystulpan johto.
3. Puhdista rungon päällisyys ja alusta.

Leikkuukorkeuden säätäminen (kuva 11)

 **VAROITUS: Terä pyörii moottorin ollessa käynnissä. Sammuta moottori ja irrota sytytystulpan johto ennen leikkuukorkeuden säätämistä.**

Leikkuukorkeuden säätämiseksi siirrä kunkin pyörän säätövipua (1). Varmista, että kaikki säätöviput (1) ovat samassa asennossa, jotta leikkuri leikkaa tasaisesti.

1. Vapauta säätövipu (1).
2. Siirrä säätövipu (1) toiseen asentoon.

Vetohihnan irrottaminen

Irrota vetohihna seuraamalla alla olevia ohjeita.

 **VAROITUS: Irrota sytytystulpan johto ennen vetohihnan irrottamista.**


1. (Kuva 13) Poista hihnansuojuus (1).
2. (Kuva 14) Löysää hihnankiristyspulttia (2).
3. Irrota käyttöhihnan (3) etuosa voimansiirron hihnapyörältä (4).

4. (Kuva 15) Irrota käyttöhihnan (3) takaosa pujottamalla käyttöhihna (3) terän (4) pään yli.

HUOMAA: Varmista, että vaihdat käyttöhihnan tilalle tehtaalta toimitetun varaosa-hihnan.

5. Asenna käyttöhihna (3) suorittamalla edellä olevat vaiheet päinvastaisessa järjestyksessä.
6. (Kuva 16) Säädä hihnan kireys.
 - a. Kiristä säätömutteria (5), kunnes mutteri koskettaa välilevyä (6). Yritä kääntää välilevyä (6). Kun säätömutteri (5) koskettaa välilevyä (6), välilevy (6) ei käänny.
 - b. Kiristä säätömutteria (5), kunnes mutteri koskettaa välilevyä (6). Käyttöhihnan (3) kireys on nyt säädetty oikein.
7. (Kuva 13) Asenna hihnansuojuus (1).
8. Ennen nurmenleikkuaan aloittamista tarkasta, että vetojärjestelmä kytkeytyy irti ja leikkuri pysähtyy. Jos vetojärjestelmä ei kytkeydy irti, niin toiminta ruohonleikkuri valtuutettuun huoltopisteeseen ennen sen käyttöä.

Käyttövaijerin säätäminen (Kuva 12)

 **VAROITUS: Ennen kuin säädät käyttövaijeria vapauta moottorin pysäytysvipu ja odota, että moottori pysähtyy.**

Jos vetojärjestelmä ei kytkeydy päälle ja irti oikein, tarkasta, että työntöaisa on koottu oikein. Varmista, että kaikki osat ovat hyvässä kunnossa (eivät rikki tai taipuneet) ja että kaikki kiinnittimet ovat tiukasti kiinni.

Kuluneet osat ja venynyt vaijeri vaikuttavat vetojärjestelmän toimintaan. Kun käytät leikkuria korkeassa tai paksussa ruohossa tai rinteellä, vetojärjestelmä voi luistaa. Jos vetojärjestelmä luistaa, säädä seuraavien ohjeiden mukaan tai vie leikkuri valtuutettuun huoltopisteeseen.

TÄRKEÄÄ: Käytä moottorin pysäytysvipua useaan kertaan ennen kuin käynnistät moottorin. Varmista, että moottorin pysäytysvaijeri liikkuu esteettä.


HUOMAA: Tässä moottorimallissa ei ole kaasunsäädintä tai moottorin käyntinopeuden säädintä. Moottori on asetettu parhaalle nopeudelle ruohon leikkuuta ja keruuta sekä moottorin käyttöikää silmällä pitäen.

1. Jos vetojärjestelmä luistaa, käännä vaijerin säädintä (1) yksi kierros kuvan mukaiseen suuntaan. Testaa vetojärjestelmä ja tarkasta luistaminen.
2. Jos vetojärjestelmä luistaa yhä, käännä vaijerin säädintä (1) yksi kierros lisää vaijerin lyhentämiseksi. Testaa vetojärjestelmä uudelleen.
3. Jatka säätämistä ja testaamista, kunnes vetojärjestelmä ei enää luista.
4. Tarkasta ennen ruohonleikkuaan aloittamista, että vetojärjestelmä kytkeytyy irti kunnolla ja että leikkuri pysähtyy. Jos vetojärjestelmä ei kytkeydy irti, vie leikkuri valtuutettuun huoltopisteeseen ennen leikkurin käyttöä.

Silppuamisterän vaihtaminen


Silppuavassa ruohonleikkurissa on erityinen silppuamisterä. Jos silppuamisterä kuluu tai vioittuu, vaihda se uuteen, alkuperäiseen silppuamisterään. Tavallinen terä ei leikkaa oikein ja voi aiheuttaa onnettomuuden.

Terän huolto


 **VAROITUS: Irrota aina sytytystulpan johto ennen terän tai terän sovitimen tarkastamista. Pysäytä moottori, jos terä osuu johonkin maassa olevaan esineeseen. Irrota sytytystulpan johto. Tarkista syntynyt vahinko.**

Tarkista terän kuluminen, murtumat ja muut vauriot säännöllisesti. Tarkista myös terän kiinnitysmutteri säännöllisesti. Pidä mutteri kireällä. Terän osuessa kiveen tai muuhun vastaavaan esineeseen sammuta moottori. Irrota johto sytytystulppasta. Katso, onko terän sovitin vahingoittunut. Tarkista, onko terä taipunut, vahingoittunut, pahasti kulunut tai muuten vioittunut. Vaihda kaikki vahingoittuneet osat uusiin, alkuperäisiin varaosiin ennen koneen käyttöönottoa. Turvallisuuden vuoksi vaihda terä joka toinen vuosi. Pidä terä terävänä. Tylsä terä saa ruohon päät muuttumaan ruskeiksi. Irrota terä seuraavien ohjeiden mukaan.

Terän irrottaminen (kuva 17 ja kuva 18)

 **VAROITUS: Irrota aina sytytystulpan johto ennen terän irrottamista. Terän reunat ovat terävät. Teriä käsitellessäsi käytä käsineitä tai kankaan palaa käsiesi suojana.**

1. Tyhjennä polttoainesäiliö.
2. Nosta ylös leikkurin se puoli, jossa on äänenvaimennin ja sytytystulppa.
3. Estä terän pyöriminen käyttämällä puun kappaletta.
4. Irrota terää (2) kiinni pitävä mutteri (1).
5. Tarkista terä kohdassa "Terän huolto" annettujen ohjeiden mukaan. Vaihda pahasti kulunut tai vaurioitunut terä uuteen alkuperäisterään.
6. Asenna uusi terä niin, että sen taivutetut reunat ovat kohden leikkurin runkoa. Jos terä asennetaan ylösalaisin, se ei leikkaa kunnolla ja voi aiheuttaa onnettomuuden.
7. Kiinnitä terä (2) alkuperäisillä aluslevyillä (3 ja 4) ja mutterilla (1). Varmista, että Bellevillen joustolaattojen (4) ulkoreunat ovat terää (2) vasten.
8. Kiristä terää (2) kiinni pitävä mutteri (1) vääntömomentilla 41,5 Nm (30 ft-lbs).

 **VAROITUS: Pidä terää (2) kiinni pitävä mutteri (1) aina kireällä. Löysä mutteri (1) tai terä (2) voivat aiheuttaa onnettomuuden.**

Tarkista leikkuukorkeuden tasaisuus

Koekäytä laitetta pienellä alueella. Jos leikkuukorkeus ei ole tasainen tai leikattu ruoho ei poistu kunnolla, niin synn voi olla: (1) terä on taipunut tai vahingoittunut, (2) terä on tylsä, (3) terä on kulunut, (4) tai terän sovitin on rikkoutunut. Ennen leikkurin käyttöä korjaa vika.

Varastointi työntöaisan ollessa kokoon taitettuna (kuva 19 ja kuva 1)

VAROITUS: Ole varovainen laskiessasi ja nostaussasi työntöaisaa. Älä vahingoita vaijeria. Taittunut vaijeri ei toimi kunnolla. Uusi taittuneet tai vahingoittuneet vaijerit ennen koneen käyttöä.

Työntöaisan kokoon taittaminen

1. **(Kuva 19)** Avaa työntöaisan ylemmää ja alemmää osaa yhdessä pitäviä kiinnikkeitä. Taittaessasi työntöaisaa kokoon varmistu, että vaijerit eivät tartu kiinnikkeisiin ja vahingoitu. Käännä työntöaisan yläosa leikkurin perää kohden.
2. **(Kuva 1)** Löysää työntöaisan alaosan (1) nuppeja. Paina työntöaisan alaosan (1) päätä sisäänpäin. Siirrä työntöaisan alaosan (1) päätä sulkutappien (2) ohi.
3. Käännä työntöaisa eteenpäin, moottorin yli. Varmista, että vaijerit eivät ole vioittuneet.

Työntöaisan nostaminen

1. Vedä työntöaisa taaksepäin, kunnes työntöaisan alaosan (1) päätä lukkiutuvat paikalleen.
2. Nosta työntöaisan yläosa käyttöasentoon. Kiristä työntöaisan kiinnikkeet.

Ruohonleikkurin varastointi



VAROITUS: Älä poista bensiiniä sisätiloissa, lähellä tulta tai tupakoidessasi. Bensiinihöyryt voivat aiheuttaa räjähdyksen ja tulipalon.

1. Tyhjennä polttoainesäiliö.
2. Anna moottorin käydä, kunnes polttoaine loppuu.
3. Tyhjennä öljyt lämpimästä moottorista. Täytä moottorin kampikammio uudella öljyllä.
4. Poista sytytystulppa sylinteristä. Kaada kaksi ruokalusikallista öljyä sylinteriin. Vedä hitaasti käynnistysnarusta, jotta öljy suojaa koko sylinteriä. Asenna uusi sytytystulppa sylinteriin.
5. Puhdista lika ja leikkuujätteet sylinterin jäädytysriivoista ja moottorin pinnoilta.
6. Puhdista rungon alusta.
7. Puhdista ruohonleikkuri kokonaisuudessaan maalipintojen suojaamiseksi.
8. Varastoi leikkuri rakennuksessa, jossa on hyvä ilmanvaihto.

Varaosien tilaaminen

Varaosat on kuvattu joko tämän käyttöohjekirjan viimeisillä sivuilla tai erillisessä varaosaluettelossa.

Käytä vain valmistajan hyväksymiä varaosia. Varaosanumeron lopussa oleva kirjain ilmaisee osan pintakäsittelyn. C tarkoittaa kromia, Z sinkkiä ja PA ostettavaa osakokonaisuutta. On tärkeää, että käytät näitä tunnuksia osia tilatessasi. Älä käytä lisälaitteita ja -varusteita, joita ei ole nimenomaisesti suositeltu käytettäväksi tämän laitteen kanssa. Saadaksesi oikeat varaosat on Sinun ilmoitettava myös leikkurisi tyyppinumero (katso nimilaatta).

Varaosat - moottorin, voimansiirron, vaihteiston ja tasaussyörästäön osia lukuun ottamatta - ovat saatavissa liikkeestä, josta leikkuri on ostettu, tai liikkeen suosittelemasta huoltopisteestä.

Jos et pysty saamaan osia tai huoltoa edellä mainituista lähteistä, niin ota yhteys:

HAYTER LIMITED,
Service Department,
Spellbrook,
Bishop's Stortford,
Hertfordshire. CM23 4BU.

MURRAY, INC.
International Sales
P.O. Box 268
Brentwood, Tennessee USA 37024
1-800-251-8007
Fax (615) 373-6633

Varaosat moottoria, voimansiirtoa, vaihteistoa tai tasaussyörästäötä varten ovat saatavissa valmistajan valtuuttamasta huoltopisteestä, joiden yhteystiedot löydät puhelinluettelon keltaisilta sivuilta. Katso varaosien tilaamista koskevat ohjeet myös moottorin tai voimansiirron takuusta.

Tilausta tehdessäsi tarvitset seuraavat tiedot:

- (1) Tyyppinumero
- (2) Sarjanumero
- (3) Varaosanumero
- (4) Lukumäärä

VIANETSINTÄOPAS

Moottori ei käynnisty.

1. Varmista, että polttoainesäiliö on täytetty puhtaalla bensiinillä. Älä käytä vanhaa bensiiniä.
2. Moottorin ollessa kylmä paina rikastimen painiketta (lisävarusteena joissain malleissa) viisi kertaa.
3. Varmista, että sytytystulpan johto on kytketty sytytystulppaan.
4. Säädä kaasutinta. Katso ohjeet "Moottorin käyttöoppaasta".
5. Moottorin sylinterissä on liikaa polttoainetta. Irrota ja kuivaa sytytystulppa. Vedä käynnistysnarua useamman kerran. Asenna sytytystulppa takaisin paikalleen. Kytke sytytystulpan johto. Käynnistä moottori.
6. Moottori on vaikea käynnistää tiheässä tai pitkässä ruohossa. Siirrä leikkuri puhtaalle, kuivalle alustalle.
7. Varmista, että moottorin pysäytysvipu on käyttöasennossa.
8. Varmista, että polttoaineventtiili on "AUKI"-asennossa. Katso ohjeet "Moottorin käyttöoppaasta".

Moottori ei pysähdy.

1. Vapauta moottorin pysäytysvipu.
2. Tarkasta moottorin pysäytysvaijeri. Vaihda vaijeri, jos se on taipunut tai vioittunut.

Moottorin suorituskyky on heikko.

1. Tarkista leikkuukorkeuden säädöt. Nosta leikkuukorkeutta, jos ruohikko on pitkää.
2. Tarkista leikkurin rungon alusta. Puhdista se ruohosta ja muusta roskasta.
3. Varmista, että sytytystulpan johto on kytketty sytytystulppaan.
4. Puhdista lika ja leikkuujätteet sylinterin jäädytysriivoista.
5. Tarkista kaasuttimen säädöt. Katso ohjeet "Moottorin käyttöoppaasta".
6. Tarkista sytytystulpan välitys. Aseta välityksen kooksi 0,030".
7. Tarkista moottoriöljyn määrä. Lisää öljyä tarvittaessa.
8. Tarkista moottorin ilmanpuhdistin. Katso ohjeet "Moottorin käyttöoppaasta".
9. Bensiini on huonoa. Tyhjennä ja puhdista polttoainesäiliö. Täytä polttoainesäiliö puhtaalla bensiinillä.

Liiallinen tärinä.

1. Irrota terä. Tarkista ja tasapainota se tarvittaessa. Katso terän huollosta annettuja ohjeita.
2. Tarkista, että terä ei ole taipunut tai rikkoutunut. VIOITTUNUT TERÄ ON VAARALLINEN JA SE ON VAIHDETTAVA.
3. Tarkista terän sovitin. VAIHDA RIKKOUTUNUT SOVITIN UUTEEN.
4. Jos tärinä jatkuu, toimita leikkuri valtuutettuun huoltopisteeseen.

Leikattu ruoho ei poistu kunnolla

1. Puhdista leikkurin rungon alusta.
2. Tarkista, onko terä liian kulunut. Irrota ja terä terä tarvittaessa. Vaihda uusi terä joka toinen vuosi. Käytä tehtaan alkuperäisteriä.

Ruoho ei leikkaudu tasaisesti

1. Tarkista kunkin pyörän leikkuukorkeudensäätö. Leikkuukorkeus on oltava sama kussakin pyörässä.
2. Varmista, että terä on terävä.
3. Tarkista, että terä ei ole taipunut tai rikkoutunut. VIOITTUNUT TERÄ ON VAARALLINEN JA SE ON VAIHDETTAVA.
4. Tarkista terän sovitin. VAIHDA RIKKOUTUNUT SOVITIN UUTEEN.

CONTENIDO

SIMBOLOS INTERNACIONALES	52
INFORMACION PARA EL PROPIETARIO	53
INSTRUCCIONES PARA EL USO SEGURO	53
MONTAJE	54
FUNCIONAMIENTO	54
MANTENIMIENTO	55
SOLUCIÓN DE AVERIAS	56

MURRAY, INC.

GARANTÍA LIMITADA DE DOS AÑOS

Murray, Inc. le garantiza al comprador original que esta unidad estará libre de defectos en el material y en la mano de obra bajo uso y servicio normales durante el período de **Dos (2) Años** a partir de la fecha de compra. Sin embargo, esta garantía no cubre motores, accesorios (por ejemplo, quitanieves, cuchillas para el mismo, bolsas recogedoras de hierba y arados), transmisiones, baterías, ejes transversales ni Partes de desgaste normal (con excepción a las indicadas abajo), puesto que los fabricantes de estas partes proveen sus propias garantías y ofrecen servicio por medio de sus centros de servicio autorizados. Para obtener más información sobre estas partes en particular, consulte las garantías correspondientes. Si no sabe si su unidad contiene o está equipada con una o más de estas partes, consulte con su vendedor antes de realizar la compra. De acuerdo con los términos y condiciones especificados en esta Garantía Limitada, repararemos o reemplazaremos, a nuestro criterio, cualquier parte cubierta bajo esta Garantía Limitada durante su vigencia, sin costo alguno al comprador original.

En el caso de que la batería se encuentre defectuosa dentro del período de noventa (90) días a partir de la fecha de compra, nosotros la cambiaremos sin cargo alguno. Si la batería se encuentra defectuosa después del período de (90) días, pero dentro del período de ciento veinte (120) días a partir de la fecha de compra, nosotros la cambiaremos por la mitad (1/2) del precio de venta en el momento de su devolución.

Las Partes de desgaste normal son correas, cuchillas, adaptadores de cuchilla, neumáticos, faros delanteros y cubiertas de asiento. Se garantiza que estas partes estarán libres de defectos en el material y en la mano de obra cuando se entreguen con el producto. Cualquier reclamo con respecto a la reparación o sustitución de alguna Parte de desgaste normal, debe ser efectuado dentro del período de treinta (30) días a partir de la fecha de compra. No se considerará ningún reclamo debido al uso negligente, maltrato o abuso del material.

Esta **Garantía Limitada Murray, Inc. de Dos (2) Años** es su remedio exclusivo. Sin embargo, esta garantía se anulará o no será aplicada si se determina que la unidad ha sido estropeada, modificada, maltratada, abusada, alquilada o usada comercial y/o profesionalmente (es decir, no para uso residencial). Esta garantía no cubre ajustes mecánicos secundarios que no sean el resultado de defectos en el material o en la mano de obra. Para obtener información sobre este tipo de ajustes, consulte el Manual del Usuario.

Para hacer un reclamo bajo esta **Garantía Limitada Murray, Inc. de Dos (2) Años**, devuelva la unidad (o la parte defectuosa, si su devolución ha sido autorizada con anticipación) junto con su prueba de compra al Centro de servicio autorizado más cercano. Para localizar el Cen-

tro de servicio autorizado más cercano, comuníquese con el Distribuidor central de repuestos para su zona, indicado en la lista que está incluida con su unidad, o consulte los listados de las páginas amarillas de su guía telefónica local. Si usted devuelve la unidad completa, nosotros la repararemos. Si autorizamos la devolución de la parte defectuosa solamente, repararemos o cambiaremos la parte. En caso de que exista un defecto en la transmisión o en el diferencial (no un eje transversal), debe devolver la transmisión o el diferencial completo, ya que ninguna parte contiene componentes que puedan ser reparados por el usuario.

Esta **Garantía Limitada Murray, Inc. de Dos (2) Años** le otorga derechos legales específicos, y es posible que tenga otros derechos que varían de estado a estado. **Esta Garantía Limitada es la única proporcionada al comprador en lugar de cualquier otra garantía expresa o implícita, incluyendo la garantía implícita de comercialización y la de adecuación a un propósito especial.** Si usted precisa más información sobre el contenido de esta garantía, o si requiere asistencia para obtener algún servicio, escriba a:

HAYTER LIMITED,
Service Department,
Spellbrook,
Bishop's Stortford,
Hertfordshire. CM23 4BU.

MURRAY, INC.
International Sales
P.O. Box 268
Brentwood, Tennessee USA 37024
1-800-251-8007
Fax (615) 373-6633

SIMBOLOS INTERNACIONALES

IMPORTANTE: Los siguientes símbolos están ubicados en su unidad o indicados en la información impresa que está incluida con el producto. Antes de usar la unidad, debe familiarizarse con el significado y propósito de cada símbolo.

NOTA: Las ilustraciones y símbolos comienzan en la página 2.

Símbolos de seguridad (Figura 21)

- 1 Advertencia
- 2 **IMPORTANTE:** Lea el Manual del usuario antes de usar esta máquina.

- 3 **ADVERTENCIA:** La máquina puede lanzar objetos que recoge del suelo. Opere la máquina a una distancia segura de otras personas. Lea el Manual de instrucciones antes de usar esta máquina.
- 4 No opere la cortadora hacia arriba y hacia abajo en las cuestas, corte a lo largo de éstas.
- 5 **PELIGRO:** No pisar.
- 6 **PELIGRO:** Mantenga los pies y las manos a una distancia segura de la cuchilla en movimiento.
- 7 El nivel de potencia acústica propagado por el aire de 100 dB(A) está dentro de lo especificado en la Directiva 2000/14/CE.

- 8 **PELIGRO:** Desconecte el cable de la bujía antes de realizar cualquier reparación en la máquina.
- 9 **PELIGRO:** No abra ni quite las cubiertas de protección mientras el motor está en marcha.

Símbolos de control y funcionamiento (Figura 22)

- 1 Marcha lenta
- 2 Marcha rápida
- 3 Parada del motor
- 4 Arranque del motor
- 5 Aceite
- 6 Combustible
- 7 Marcha hacia adelante

MODEL NO.: 226111x52B

SKU No.:

YYYY MM DD: _____

SERIAL NO.:

3050 min-1

32 kg



Manufactured in Lawrenceburg, TN 38464, U.S.A.

Valores de emisión de vibraciones especificados según la Directiva 98/37/EC.

Emisión de vibraciones según EN 836/A2:2001: 6.95 m/s².

Los valores fueron determinados en el mango con la máquina funcionando de forma estacionaria sobre un área de hormigón a 3050 min-1.

El nivel de potencia acústica propagado por el aire de 100 dB(A) está dentro de lo especificado en la Directiva 2000/14/CE.

Niveles de presión acústica a la posición del operador 84 dB.

Los valores fueron determinados al oído de acuerdo con las especificaciones de EN 836/A2:2001.

INFORMACION PARA EL PROPIETARIO

Conozca su producto: Si usted entiende el funcionamiento de la unidad, obtendrá de ésta el mejor rendimiento. A medida que vaya leyendo este manual, compare las ilustraciones con la unidad. Aprenda la ubicación y la función de los controles. Para prevenir accidentes, siga las instrucciones de operación y las reglas de seguridad. Guarde este manual para referencias futuras.



ADVERTENCIA: Preste atención a este símbolo, le indica precauciones de seguridad. Este símbolo indica: “¡Atención! ¡Esté alerta! Su seguridad está en peligro.”

Responsabilidad del propietario



ADVERTENCIA: Esta máquina para cortar el césped puede amputarle manos y pies, y puede lanzar objetos con mucha fuerza. El no seguir las instrucciones de seguridad podría ocasionar lesiones graves o la muerte al operador o a personas a su alrededor.

Es la responsabilidad del propietario seguir las instrucciones enumeradas a continuación.

INSTRUCCIONES PARA EL USO SEGURO

Para cortadoras de césped de empujar

Instrucciones generales

1. Lea las instrucciones detenidamente. Familiarícese con los controles y el uso apropiado del equipo.
2. Nunca permita que los niños o personas no familiarizadas con estas instrucciones usen la cortadora de césped. Pueden existir reglamentos locales que limiten la edad del operador.
3. Nunca corte el césped cuando hayan personas cerca de usted, especialmente niños y mascotas.
4. Siempre recuerde que el operador o usuario es el responsable por accidentes o situaciones peligrosas que ocurran a otras personas o a su propiedad.

Preparación

1. Mientras corta el césped, use siempre calzado fuerte y pantalones largos. No opere este equipo si está descalzo o si lleva sandalias.
2. Inspeccione cuidadosamente el área donde se usará el equipo y quite todos los objetos que pueden ser lanzados por la máquina.
3. **ADVERTENCIA - La gasolina es sumamente inflamable.**
 - a. Almacene el combustible en recipientes designados específicamente para este propósito.
 - b. Reabastezca la unidad al aire libre solamente y no fume mientras reabastece.
 - c. Añada el combustible antes de hacer arrancar el motor. Nunca retire la tapa

del tanque de combustible ni añada gasolina cuando el motor está encendido o está caliente

- d. Si se derrama gasolina, no intente hacer arrancar el motor pero mueva la máquina del área donde se derramó la gasolina. Evite la generación de chispas hasta que los vapores de la gasolina se hayan disipado.
 - e. Coloque y asegure en su lugar la tapa del tanque de gasolina y las de los recipientes.
4. Reemplace los silenciadores defectuosos.
 5. Antes de usar la máquina, siempre inspecciónela visualmente para verificar que las cuchillas, los pernos de las mismas y el conjunto para cortar no estén gastados. Reemplace en conjunto las cuchillas y los pernos gastados para mantener una distribución equilibrada.
 6. En máquinas con múltiples cuchillas, tenga cuidado pues al girar una de las cuchillas puede hacer que giren también las otras cuchillas.

Operación

1. No haga funcionar el motor en un local cerrado donde las emanaciones peligrosas de monóxido de carbono se puedan acumular, presentando así un grave peligro.
2. Corte el césped a la luz del día o con muy buena iluminación artificial.
3. Si es posible, evite operar el equipo cuando el césped esté mojado.
4. Asegúrese de tener siempre buena estabilidad en las cuestas.
5. Camine, nunca corra con la cortadora.
6. Para cortadoras de empuje con cuchilla giratoria, corte a lo largo de las cuestas, nunca hacia arriba y hacia abajo.
7. Proceda con mucha cautela al cambiar de dirección en las cuestas.
8. No utilice la cortadora en cuestas excesivamente escarpadas.
9. Tenga mucho cuidado cuando retroceda con la máquina o al tirar la máquina hacia usted.
10. Detenga completamente la cuchilla o cuchillas en caso de que la cortadora tenga que ser inclinada para cruzar superficies que no tengan hierba, y cuando se transporte la cortadora hacia y desde el área de césped que se va a cortar.
11. Nunca opere la cortadora con guardas o cubiertas defectuosas o sin los dispositivos de protección necesarios, por ejemplo, el deflector y/o la bolsa recogedora de hierba, en su lugar.
12. No cambie los ajustes del regulador de velocidad del motor ni deje correr el motor a una velocidad alta.
13. Desenganche toda toma de fuerza a la cuchilla y a la transmisión antes de hacer arrancar el motor.
14. Haga arrancar el motor o encienda el motor con cuidado de acuerdo a las instruccio-

nes, y aléjese los pies de la cuchilla o cuchillas.

15. No incline la cortadora al hacer arrancar o encender el motor, a no ser que la cortadora deba ser ladeada para arrancar. En este caso, no la incline más de lo que sea absolutamente necesario y levante solamente la parte de la cortadora que está opuesta al operador.
16. No haga arrancar el motor si usted está parado frente al conducto deflector.
17. No coloque sus manos o pies cerca o debajo de partes en movimiento. Manténgase todo el tiempo a una distancia prudente de la abertura del deflector.
18. Nunca levante o transporte la cortadora de césped con el motor encendido.
19. Apague el motor y desconecte el cable de la bujía:
 1. antes de limpiar los bloqueos o desobstruir el conducto deflector;
 2. antes de revisar, limpiar o trabajar en la cortadora;
 3. después de golpear algún objeto. Inspeccione la cortadora y haga las reparaciones necesarias antes de volver a arrancar y a usar la cortadora;
 4. si la cortadora comienza a vibrar de manera anormal (revisela inmediatamente).
20. Apague el motor:
 1. cada vez que deje la cortadora desatendida;
 2. antes de reabastecer;
21. Reduzca el ajuste del acelerador durante el proceso de apagado y, si el motor está provisto con una válvula de cierre, utilícela para cerrar el paso del combustible una vez que usted haya terminado de cortar el césped.
22. Ponga mucho cuidado cuando se esté acercando a esquinas ciegas, arbustos, árboles u otros objetos que puedan impedir la visión.

Mantenimiento y almacenamiento

1. Mantenga apretadas las tuercas, pernos y tornillos para asegurar que el equipo está en condiciones satisfactorias para el uso seguro.
2. Nunca guarde el tractor dentro de una construcción en donde los vapores inflamables puedan alcanzar una llama o chispa.
3. Antes de guardar la unidad en cualquier local cerrado, primero deje que el motor se enfríe.
4. Para reducir el peligro de incendio, mantenga el motor, el silenciador, el compartimiento de la batería y el área de almacenamiento de gasolina libres de hierba, hojas o mucha grasa.
5. Revise frecuentemente la bolsa recogedora de hierba por si estuviera gastada o deteriorada.
6. Para mayor seguridad, reemplace las partes gastadas o dañadas.
7. Si es necesario vaciar el tanque del combustible, debe hacerlo a la intemperie.

MONTAJE

NOTA: Las ilustraciones y símbolos comienzan en la página 2.

NOTA: Para ensamblar las siguientes partes que vienen sueltas, use los sujetadores que se muestran aquí en su tamaño real.

Instrucciones para desembalar

Esta cortadora de césped fue completamente armada en la fábrica. Al colocar la cortadora en la caja, el mango se dobló a la posición de almacenamiento. Para poner el mango nuevamente en la posición de operación, siga los pasos a continuación.

1. **(Figura 1)** Saque la cortadora de césped de la caja.
2. Ponga el **mango inferior (1)** en la posición de operación. Asegúrese de que el **mango inferior (1)** quede entre las **lengüetas de fijación (2)**.
3. Ponga el **mango superior (3)** en la posición de operación. Apriete las **perillas (4)**.

PRECAUCIÓN: Tenga cuidado al doblar o levantar el mango, para no dañar los cables. Un cable torcido no funcionará bien. Antes de usar la unidad, reemplace cualquier cable torcido o dañado.

4. **(Figura 7)** Enganche la **palanca de parada del motor (1)**.
5. **(Figura 2)** Para montar la **empuñadura del arranque manual (1)** a la **guía de cuerda (2)**, enrrolle la cuerda a través de la **guía de cuerda (2)** que se encuentra en el lado derecho del mango.

NOTA: Si no puede montar la empuñadura del arranque manual, porque la cuerda es muy corta, sujete la palanca de parada del motor contra el mango. Hale lentamente la empuñadura del arranque manual.

Ajuste de la altura del mango

(Figura 3 y Figura) El sujetador del mango **(1)** tiene dos posiciones de ensamblado. Una posición **ALTA (3)** y una **BAJA (4)**. La posición **ALTA (3)** levantará el mango cuatro pulgadas aproximadamente.

1. **(Figura 1)** Quite las **perillas (6)** y los pernos del lado derecho e izquierdo de las **piezas sujetadoras del mango (2)**.
2. **(Figura 3)** Para levantar el mango, monte el **mango inferior (1)** en la posición **ALTA (3)**.
3. **(Figura 4)** Para bajar el mango, monte el **mango inferior (1)** en la posición **BAJA (4)**.
4. **(Figura 1)** Fije el **mango inferior (1)** a las **piezas sujetadoras del mango (2)** con los pernos y las **perillas (6)**.

Preparación del motor

Nota: El motor no contiene ACEITE ni GASOLINA.



ADVERTENCIA: Siga las instrucciones del fabricante del motor para el tipo de gasolina y aceite que debe usar. Use siempre un bidón de seguridad para la gasolina. No fume cuando esté reabasteciendo. No reabastezca dentro de un local cerrado. Apague el motor antes de poner gasolina. Deje enfriar el motor por varios minutos.

F-050445L

NOTA: Es probable que el valor actual constante para los caballos de fuerza sea menor debido a limitaciones de funcionamiento y a factores ambientales.

Consulte las instrucciones del fabricante para el tipo de gasolina y de aceite que debe usar. Antes de usar la unidad, lea la información sobre seguridad, operación, mantenimiento y almacenamiento.

Montaje y desmontaje del juego triturador de hierba



ADVERTENCIA: Antes de desmontar o montar el juego triturador de hierba, desconecte el cable de la bujía.

En algunos modelos, el juego triturador de hierba es instalado en la fábrica. Para cambiar de triturador a descarga lateral, retire la placa trituradora.

Una segadora con descarga lateral, se puede convertir fácilmente en segadora y trituradora, instalando el juego triturador de hierba de la manera siguiente:

1. **(Figura 6)** Levante el **conducto deflector (1)**.
2. Alinee la **placa trituradora (2)** con la abertura de descarga lateral. Compruebe que los dos **topes (5)** queden en la parte de adentro de la abertura.
3. Monte la **lengüeta (3)** encima de la **placa trituradora (2)** hacia la parte interior del cárter de la cortadora de césped.
4. **(Figura 5)** Monte la **lengüeta (4)** en la parte de abajo de la **placa trituradora (2)** hacia la parte interior del cárter de la cortadora de césped.
5. Baje el **conducto deflector (1)**.

Consejos para triturar la hierba

El equipo triturador de hierba desmenuza la hierba para que ésta pueda ser reciclada fácilmente. Puesto que los nutrientes son devueltos a la tierra, el césped necesitará menos fertilizante. Para utilizar el juego triturador correctamente, siga los consejos a continuación.

- El césped debe estar seco. Si el césped está mojado, será difícil de cortar y quedarán acumulaciones de la hierba cortada por todo el césped.
- La hierba no debe estar tan alta. La altura máxima es de 4 1/2 pulgadas, para un buen corte. Ajuste la altura de corte para que solamente se corte el tercio superior del césped.
- Si la altura de la hierba es mayor que 4 1/2 pulgadas, será necesario pasar la cortadora dos veces. Para el primer corte, coloque los ajustadores de altura de corte en la posición más alta. Luego, baje los ajustadores de corte para el segundo corte.
- Mantenga la hoja afilada. Una hoja no afilada hará que las puntas de la hierba se tornen marrón.
- Limpie la parte interior del cárter de la cortadora. La hierba y otras basuras harán que la cortadora no funcione correctamente.

Si la calidad del corte no es óptima, trate lo siguiente:

- Coloque los ajustadores de altura de corte a una altura más alta.
- Corte el césped con más frecuencia.
- Maneje la cortadora a una velocidad de desplazamiento más baja.
- Trasape el ancho de corte en vez de cortar un nuevo ancho de corte con cada pasada de la cortadora.
- Corte a través de las áreas disperejas una segunda vez.

FUNCIONAMIENTO

NOTE: Las ilustraciones y símbolos comienzan en la página 2.

Palanca de parada del motor **(Figura 7)**

Suelte la **palanca de parada del motor (1)** y el motor y la cuchilla pararán automáticamente. Para que corra el motor, sujete la **palanca de parada del motor (1)** en la **Posición de funcionamiento (2)**

Antes de hacer arrancar el motor, haga funcionar varias veces la **palanca de parada del motor (1)**. Asegúrese de que el cable se mueve con facilidad.

Apagado del motor **(Figura 7)**

Para apagar el motor, suelte la **palanca de parada del motor (1)**. Desconecte el cable de la bujía para evitar un arranque accidental del motor.

Si el motor no se apaga, sujete un destornillador contra la bujía y contra las aletas enfriadoras del motor. La chispa hará tierra y se apagará el motor. Antes de arrancar el motor, revise el cable de parada del motor. Asegúrese de que el cable esté montado correctamente. Antes de hacer funcionar la unidad, examine el cable de parada del motor. Si el cable está doblado o dañado, reemplácelo.

Sistema de tracción de las ruedas delanteras **(Figura 8)**

La cortadora de césped tiene un sistema de tracción en las ruedas delanteras. Opere el sistema de tracción de la manera siguiente.

1. Mantenga la **palanca de parada del motor (1)** en la posición OPERATING.
2. Empuje la **palanca motriz (2)** completamente hacia adelante. Cuando se oye un clic de la **palanca motriz (2)**, suéltela. Ahora el sistema de tracción está enganchado.

NOTA: Para parar el motor, suelte la **palanca de parada del motor**.

3. Para desenganchar el sistema de tracción y parar el motor, suelte completamente la **palanca de parada del motor (1)**.
4. Para desenganchar el sistema de tracción solamente, suelte la **palanca de parada del motor (1)** dos pulgadas aproximadamente. El sistema de tracción se desenganchará pero el motor seguirá corriendo.



ADVERTENCIA: Para una operación segura, el sistema de tracción debe desengancharse inmediatamente cuando se suelta la palanca de transmisión. Si el sistema de tracción no se desengancha correctamente, no use la cortadora hasta que el sistema de tracción sea ajustado o reparado en un centro de servicio autorizado.

Arranque del motor (Figura 9 y Figura 10)



ADVERTENCIA: Al arrancar el motor la cuchilla empieza a girar.

1. Revise el nivel del aceite.
2. Llene el tanque con gasolina regular sin plomo. Vea "Preparación del motor".
3. Cerciórese de que el cable de la bujía esté conectado.
4. Asegúrese de que la palanca de transmisión esté en la posición DISENGAGED (desenganchada).
5. (Figura 9) El botón cebador (1) está en un lado del motor. Pulse el botón cebador (1) cinco veces. Cada vez que pulse el botón cebador (1), espere dos segundos.

NOTA: No utilice el botón cebador para hacer arrancar un motor que está caliente.

6. (Figura 10) Párese detrás de la cortadora de césped. Use una mano para sujetar la palanca de parada del motor (1) en la posición de operación como se muestra en la ilustración. Use la otra mano para sujetar la manija del arranque manual (2).
7. Hale rápidamente la manija del arranque manual (2). Devuelva lentamente la manija del arranque manual (2).
8. Si el motor no arranca después de 5 ó 6 halones, vea las instrucciones en "Localización de averías".

MANTENIMIENTO

NOTA: Las ilustraciones y símbolos comienzan en la página 2.

Mantenimiento del motor

Use esta sección sobre mantenimiento para mantener su unidad en perfectas condiciones de funcionamiento. Toda la información sobre mantenimiento del motor, aparece en el manual de instrucciones para el motor. Lea este libro, antes de hacer arrancar el motor.



ADVERTENCIA: Antes de revisar, ajustar (excepto el carburador) o reparar la unidad, desconecte el cable de la bujía.

Inclinación del motor (Figura 20)

Cuando esté ajustando el motor, revisando la cuchilla o limpiando la parte de afuera del cárter de la cortadora; asegúrese siempre de inclinar el motor con la bujía hacia arriba. Transportar o inclinar el motor con la bujía hacia abajo hará que:

- Sea difícil arrancar el motor.
- Salga humo del motor.
- Se ensucie la bujía.
- Se sature de aceite o gasolina el filtro de aire.

Lubricación

1. Para un rendimiento óptimo, lubrique las ruedas y todos los puntos pivotantes con aceite de motor cada 25 horas de funcionamiento de la máquina.
2. Para lubricar el motor, refiérase al manual de instrucciones para el motor.

NOTA: NO lubrique el cable de parada del motor. Los lubricantes dañarán el cable y éste no podrá moverse libremente. Reemplace el cable si está torcido o dañado.

Limpieza del cárter de la cortadora



ADVERTENCIA: Al arrancar el motor la cuchilla empieza a girar. Antes de limpiar el cárter de la cortadora, pare el motor y desconecte el cable de la bujía.

La hierba y basura acumuladas pueden impedir que la cortadora funcione correctamente. Después de cortar el césped, limpie el cárter de la unidad de la manera siguiente.

1. Apague el motor.
2. Desconecte el cable de la bujía.
3. Limpie el cárter de la cortadora por encima y por debajo.

Ajuste de la altura de corte (Figura 11)



ADVERTENCIA: Al arrancar el motor la cuchilla empieza a girar. Antes de cambiar la altura de corte, desconecte el cable a la bujía.

Para cambiar el alto de corte, mueva la palanca de ajuste rápido (1) en cada rueda. Asegúrese de que cada palanca de ajuste rápido (1) quede a la misma altura y posición para obtener un corte parejo.

1. Desenganche la palanca de ajuste rápido (1).
2. Mueva la palanca de ajuste rápido (1) a otra posición.

Desmontaje de la correa de transmisión

Para quitar la correa de transmisión, siga los pasos a continuación.



ADVERTENCIA: Antes de quitar la correa, desconecte el cable de la bujía.

1. (Figura 13) Desmonte la cubierta de correa (1).
2. (Figura 14) Afloje el perno de tensión de correa (2).
3. Quite la parte delantera de la correa de transmisión (3) de la polea motriz (4).
4. (Figura 15) Para quitar la parte trasera de la correa de transmisión (3), pase la correa de transmisión (3) sobre el extremo de la cuchilla (4).

NOTA: Asegúrese de reemplazar la correa de transmisión con un repuesto original.

5. Para montar la correa de transmisión (3), realice los pasos anteriores en orden inverso.
6. (Figura 16) Ajuste la tensión de la correa.
 - a. Apriete la tuerca de ajuste (5) hasta que ésta quede contra el espaciador (6). Intente girar el espaciador (6). Cuando la tuerca de ajuste (5) entra en contacto con el espaciador (6), éste no debe girar.
 - b. Afloje la tuerca de ajuste (5) sólo lo suficiente como para poder girar el espaciador (6). La tensión de la correa de transmisión (3) está correctamente ajustada.
7. (Figura 13) Instale la cubierta de correa (1).

8. Antes de usar la cortadora de césped, asegúrese de que el sistema de tracción se desenganche correctamente y que la cortadora de se detenga. Si el sistema de tracción no se desengancha, lleve la cortadora de césped a un centro de servicio autorizado antes de usarla.

Ajuste del cable de transmisión (Figura 12)



ADVERTENCIA: Antes de ajustar el cable de transmisión, suelte la palanca de parada del motor y espere hasta que se detenga el motor.

Si el sistema de tracción no engancha o desengancha correctamente, verifique el ensamblaje correcto del mango. Asegúrese de que las partes y piezas estén en buenas condiciones (no dobladas ni dañadas), y que todos los sujetadores estén bien apretados.

Las piezas desgastadas y los cables excesivamente estirados afectarán el rendimiento del sistema de tracción. Es posible que el sistema de tracción se deslice al cortar hierba alta o densa, o al cortar en cuestas. Si esto ocurre, siga los pasos de ajuste a continuación o lleve la cortadora a un centro de servicio autorizado.

IMPORTANTE: Antes de hacer arrancar el motor, haga funcionar varias veces la palanca de parada del motor. Asegúrese de que el cable se mueve con facilidad.

NOTA: El motor no dispone de control de aceleración ni ajuste de velocidad. El motor ha sido ajustado para obtener los mejores resultados al cortar y recoger la hierba, y para extender la vida útil del motor.

1. Si el sistema de tracción se está deslizando, gire el ajustador de cable (1) una vuelta en la dirección indicada en el dibujo. Compruebe el sistema de tracción para confirmar que no haya ningún deslizamiento.
2. Si todavía detecta algún deslizamiento, gire el ajustador de cable (1) una vuelta más para reducir la longitud del cable. Compruebe nuevamente el sistema de tracción.
3. Repita el ajuste y compruebe el sistema para confirmar que no haya ningún deslizamiento.
4. Antes de empezar a cortar, asegúrese de que puede desenganchar el sistema de tracción y que el motor se detiene. Si no puede desenganchar el sistema de tracción, lleve la cortadora a un centro de servicio autorizado antes de operarla.

Reemplazo de la cuchilla trituradora

Una cortadora con juego triturador de hierba está equipada con una cuchilla para triturar especial. Si la cuchilla está gastada o dañada, sustitúyala con un repuesto original. Una cuchilla estándar no cortará correctamente y podría causar un accidente.

Servicio a la cuchilla



ADVERTENCIA: Antes de inspeccionar la cuchilla o el adaptador de cuchilla, desconecte el cable de la bujía. Si la cuchilla golpea un objeto, apague el motor. Desconecte el cable de la bujía. Examine la unidad por si hay algún daño.

Revise con frecuencia la cuchilla por desgaste o daño tal como grietas. Revise a menudo el per-

no que sujeta la cuchilla. Mantenga el perno apretado. Si la cuchilla golpea un objeto, apague el motor. Desconecte el cable de la bujía. Examine el adaptador de cuchilla por si tiene algún daño. Compruebe que la cuchilla no esté doblada, dañada, muy desgastada, y que no tenga ningún otro daño. Antes de usar la unidad, debe reemplazar las partes dañadas con repuestos originales del fabricante. Para su propia seguridad, reemplace la cuchilla cada dos años. Mantenga la cuchilla afilada. Una cuchilla no afilada hará que las puntas de hierba se tornen marrón. Desmonte la cuchilla de la manera siguiente.

Desmontaje de la cuchilla (Figura 17 y Figura 18)



ADVERTENCIA: Antes de quitar la cuchilla, desconecte el cable de la bujía. La cuchilla tiene orillas muy afiladas. Cuando sujete la cuchilla, use guantes o un pedazo de tela fuerte para proteger sus manos.

1. Vacíe el tanque del combustible.
2. Levante el lado de la cortadora que contiene el silenciador o la bujía.
3. Use un pedazo de madera para mantener la cuchilla detenida.
4. Saque el perno (1) que sujeta la cuchilla (2).
5. Revise la cuchilla según se indica en las instrucciones de "Servicio a la cuchilla". Reemplace una cuchilla muy gastada o dañada con un repuesto original de fábrica.
6. Monte la cuchilla con las orillas curvas hacia el cárter. Si la cuchilla está puesta al revés, ésta no cortará de la manera correcta y podría causar un accidente.
7. Sujete la cuchilla (2) con las arandelas (3 y 4) y perno (1) originales. Asegúrese de que los bordes externos de las arandelas Belleville (4) (cóncavas) queden hacia la cuchilla (2).
8. Apriete el perno (1) que sujeta la cuchilla (2) a un par de apriete de 30 pies-libras.



ADVERTENCIA: Mantenga siempre apretado el perno (1) que sujeta la cuchilla (2). Un perno (1) o cuchilla (2) flojos pueden causar un accidente.

Comprobación del nivel de corte

Pruebe la unidad en un área pequeña. Si la altura de corte no es pareja o si la hierba cortada no descarga, la causa puede ser: (1) la cuchilla está doblada o dañada, (2) la cuchilla no está afilada, (3) la cuchilla está desgastada o (4) el adaptador de cuchilla está roto. Solucione el problema antes de usar la unidad.

Almacenamiento del mango plegable (Figura 19 y Figura 1)

PRECAUCION: Tenga cuidado de no dañar los cables al doblar o levantar el mango. Un cable que esté torcido no trabajará correctamente. Antes de usar la unidad, reemplace cualquier cable torcido o dañado.

F-050445L

Doblado del mango

1. (Figura 19) Afloje los sujetadores que sirven para fijar la parte superior del mango con la parte inferior de éste. A medida que dobla el mango, asegúrese de que los cables no queden entre los sujetadores flojos y que no se dañen. Doble la parte superior del mango hacia la parte trasera de la unidad.
2. (Figura 1) Afloje las perillas en el mango inferior (1). Empuje hacia adentro los dos extremos del mango inferior (1). Mueva los extremos del mango inferior (1) más allá de las lengüetas de seguridad (2).
3. Doble el mango hacia adelante sobre el motor. Cerciórese de que los cables no estén dañados.

Extensión del mango

1. Tire el mango hacia atrás hasta que los extremos del mango inferior (1) encajen en posición.
2. Levante la parte superior del mango hasta que quede a la posición del operador. Apriete los sujetadores.

Preparación de la cortadora de césped para su almacenamiento



ADVERTENCIA: No vacíe el tanque del combustible mientras se encuentre dentro de un local cerrado, cerca de fuego o mientras fuma. Los vapores de la gasolina pueden producir una explosión o un incendio.

1. Vacíe el tanque de combustible.
2. Deje correr el motor hasta que se consuma toda la gasolina.
3. Vacíe el aceite del motor todavía caliente. Llene la caja del cigüeñal con aceite nuevo.
4. Quite la bujía del cilindro. Ponga una onza de aceite en el cilindro. Lentamente tire de la manija de arranque para que el aceite cubra y proteja el cilindro. Instale una bujía nueva en el cilindro.
5. Limpie la tierra y basura de las aletas de enfriamiento del cilindro y de la cubierta del motor.
6. Limpie la parte de abajo del cárter de la cortadora de césped.
7. Limpie toda la cortadora para proteger la pintura.
8. Guarde la unidad dentro de una construcción que tenga buena ventilación.

Cómo hacer un pedido de piezas de repuesto

Las piezas de repuesto se muestran en las últimas páginas de este manual o en un libro de piezas de repuesto separado.

Use sólo las piezas de repuesto autorizadas o aprobadas por el fabricante. La letra que aparece al final del número de la pieza indica el tipo de acabado de ésta. C para cromado, Z para zinc, PA para conjunto comprado (Purchased Assembly). Es importante que incluya esta información cuando pida una pieza de repuesto. No use aditamentos ni accesorios que no sean específicamente recomendados para esta unidad. Para obtener las piezas de repuesto apropiadas, debe proporcionar el número del modelo de su cortadora de césped (vea la placa de datos). Las piezas de repuesto, con la excepción del motor, la transmisión, el eje transversal o el diferencial, están disponibles en la tienda donde se

compró la cortadora de césped o en un centro de servicio recomendado por la tienda.

Si no puede conseguir piezas de repuesto o servicio de la manera indicada arriba, entonces comuníquese con:

HAYTER LIMITED,
Service Department,
Spellbrook,
Bishop's Stortford,
Hertfordshire. CM23 4BU.

MURRAY, INC.
International Sales
P.O. Box 268
Brentwood, Tennessee USA 37024
1-800-251-8007
Fax (615) 373-6633

Las piezas de repuesto para el motor, el eje transversal o la transmisión, están disponibles en uno de los centros de servicio autorizados por el fabricante, los que encontrará en las páginas comerciales de su guía de teléfonos. Además, consulte las garantías individuales del motor o de la transmisión para pedir las piezas de repuesto.

Cuando haga un pedido por favor envíe la siguiente información:

- (1) Número de modelo
- (2) Número de serie
- (3) Número de pieza
- (4) Cantidad.

SOLUCIÓN DE AVERIAS

El motor no arranca.

1. Compruebe que el tanque de combustible esté lleno de gasolina limpia. No use gasolina vieja.
2. Si el motor está frío, oprima el botón del cebador (dispositivo opcional en algunos modelos) unas cinco veces.
3. Asegúrese de que el cable de la bujía esté conectado a ésta.
4. Ajuste el carburador. Consulte el manual de instrucciones sobre el motor.
5. Hay demasiado gasolina en el cilindro del motor. Retire y seque la bujía. Tire varias veces de la manija de arranque manual. Instale la bujía. Conecte el cable a la bujía. Arranque el motor.
6. Es difícil hacer arrancar el motor sobre la hierba muy densa o muy alta. Mueva la cortadora a una superficie limpia y seca.
7. Asegúrese de que la palanca de parada del motor esté en la posición de operación.
8. Compruebe que la válvula del combustible esté en la posición ON. Consulte el manual de instrucciones sobre el motor.

No se apaga el motor.

1. Suelte la palanca de parada del motor.
2. Examine el cable de parada del motor. Reemplace el cable si está torcido o dañado.

El motor no funciona bien.

1. Compruebe los ajustes del alto de corte. Si la hierba está alta, levante la altura del corte.
2. Examine la parte interior del cárter donde está la cuchilla. Limpie la hierba cortada y suciedad del cárter.
3. Revise el cable a la bujía. El cable debe estar conectado.
4. Limpie la hierba cortada y suciedad de las aletas de enfriamiento del motor.

5. Compruebe los ajustes del carburador. Consulte el manual de instrucciones del motor.
6. Examine el entrehierro de la bujía. Ajuste el entrehierro a 0,030 pulgada.
7. Revise el nivel de aceite en el motor. Llene el depósito con aceite si es necesario.
8. Revise el depurador de aire del motor. Consulte el manual de instrucciones sobre el motor.
9. La gasolina es de mala calidad. Vacíe y limpie el tanque de combustible. Llene el tanque con gasolina limpia.

Vibración excesiva.

1. Desmonte la cuchilla. Examine la cuchilla y balancéela si es necesario. Consulte las instrucciones sobre mantenimiento de la cuchilla.

2. Revise la cuchilla por si estuviera doblada o rota. **UNA CUCHILLA DAÑADA ES PELIGROSA Y DEBE SER REEMPLAZADA.**
3. Examine el adaptador de cuchilla. **REEMPLACE UN ADAPTADOR DE CUCHILLA QUE ESTE ROTO.**
4. Si la vibración continúa, lleve la cortadora a un Centro de servicio autorizado.

La hierba cortada no es descargada correctamente.

1. Limpie la parte de abajo del cárter de la cortadora.

2. Examine la cuchilla por si estuviera excesivamente desgastada. Desmonte la cuchilla y afílela. Para mayor seguridad, reemplace la cuchilla cada dos años con un repuesto de fábrica.

El corte del césped no queda parejo.

1. Revise el ajuste de la altura de corte en cada rueda. El ajuste debe ser el mismo para cada rueda.
2. Asegúrese de que la cuchilla esté afilada.
3. Examine la cuchilla por si estuviera doblada o rota. **UNA CUCHILLA DAÑADA ES PELIGROSA Y DEBE SER REEMPLAZADA.**
4. Revise por si el adaptador de cuchilla estuviera roto. **REEMPLACE UN ADAPTADOR DE CUCHILLA ROTO.**

CONTEÚDO

FIGURAS INTERNACIONAIS	58
INFORMAÇÃO DO PROPRIETÁRIO	59
MÉTODOS SÉGUROS DE OPERAÇÃO	59
MONTAGEM	60
OPERAÇÃO	60
MANUTENÇÃO	61
TABELA DE SOLUÇÃO DE PROBLEMAS	62

MURRAY, INC.

GARANTIA LIMITADA DE DOIS ANOS

A Murray, Inc. garante ao cliente original que este equipamento estará livre de defeitos de materiais e fabrico, sob condições normais de uso e serviço por um período de **Dois (2) Anos** a partir da data de compra; porém, esta garantia não cobre motores, acessórios (como limpadores de neve, lâminas de neve, ensacadores de grama e arados), transmissões, baterias e Desgaste Normal de Peças (exceto nos locais indicados abaixo) ou eixos transversais, porque as companhias que fabricam estes itens fornecem as suas próprias garantias e oferecem serviço através das respectivas oficinas locais de serviço. Para maiores informações, leia as garantias que cobrem essas peças específicas. Se você não tem certeza se o seu equipamento contém, ou está equipado com, uma ou mais destas peças, consulte o seu revendedor antes da compra. De acordo com os termos e condições indicados nesta Garantia Limitada, nós poderemos, por nossa opção, reparar ou substituir, sem custos adicionais para o cliente original, qualquer peça coberta por esta Garantia Limitada durante o período de garantia aplicável.

Caso sejam detectados defeitos na bateria até noventa (90) dias após a data de compra, nós substituiremos a mesma sem qualquer custo adicional. Se forem detectados defeitos na bateria após noventa (90) dias, mas antes de centro e vinte (120) dias após a data de compra, nós substituiremos a mesma pela metade (1/2) do preço de revenda da bateria registrado no momento do retorno.

As Peças de Desgaste Normal incluem correias, lâminas, adaptadores de correia, pneus de ar, luzes e coberturas do assento. Estas peças possuem uma garantia contra defeitos de materiais e fabrico quando fornecidas com o produto. Qualquer reclamação de reparos ou substituição de Peças de Desgaste Normal terá de ser efetuada até trinta (30) dias após a data de compra. Não serão aceites quaisquer reclamações envolvendo danos causados pelo uso, abuso ou uso incorreto do material.

Esta **Garantia Limitada de Dois (2) Anos da Murray, Inc.** representa a sua única solução possível; porém, esta garantia será inválida e não se aplica a qualquer equipamento que foi mexido, alterado, usado incorretamente, abusado ou usado para aluguel para outros propósitos comerciais e/ou profissionais (não domésticos). A sua garantia não cobre pequenos ajustes mecânicos não resultantes de defeitos de materiais ou fabrico. Para obter assistência ao efetuar tais ajustes, consulte o seu Manual de Instruções.

Para fazer uma reclamação de acordo com esta **Garantia Limitada de Dois (2) Anos da Murray, Inc.**, devolva o equipamento (ou, se você tiver uma autorização, somente a peça defeituosa) junto com o recibo da compra a um Centro de Serviço Autorizado próximo de você.

Para localizar o seu Centro de Serviço Autorizado mais próximo, ligue para o Distribuidor Central de Peças da sua área, mostrado na lista fornecida com o equipamento ou veja as listas nas Páginas Amarelas da sua lista telefônica local. Se você devolver o equipamento completo, nós o reparamos. Se nós autorizarmos o retorno somente da peça defeituosa, poderemos substituir ou reparar a peça. No caso de defeitos na transmissão ou no diferencial (diferentes do eixo transversal), você terá que devolver a transmissão ou o diferencial completos, porque eles não possuem peças para uso do usuário.

Esta **Garantia Limitada de Dois (2) Anos da Murray, Inc.** confere a você direitos legais específicos e outros direitos que podem variar de estado para estado. **Esta Garantia Limitada conferida em substituição de todas as outras garantias expressas e implícitas, incluindo a garantia implícita de comerciabilidade e de adaptação a um determinado objetivo.** Se você necessitar de informação adicional sobre esta garantia escrita ou de assistência para obter serviço, escreva para:

HAYTER LIMITED,
Service Department,
Spellbrook,
Bishop's Stortford,
Hertfordshire. CM23 4BU.

MURRAY, INC.
International Sales
P.O. Box 268
Brentwood, Tennessee USA 37024
1-800-251-8007
Fax (615) 373-6633

FIGURAS INTERNACIONAIS

IMPORTANTE: as seguintes figuras estão localizadas no seu equipamento ou na literatura fornecida com o produto. Antes de operar o equipamento, aprenda e compreenda o propósito de cada figura.

OBSERVAÇÃO: As ilustrações e figuras começam na página 2.

Figuras de Avisos de Segurança (Figura 21)

- 1 Aviso
- 2 **IMPORTANTE:** Leia o Manual do

Proprietário Antes de Operar Esta Máquina.

- 3 **ATENÇÃO:** Objetos Lançados. Mantenha Outras Pessoas Afastadas. Leia as Instruções do Usuário Antes de Operar Esta Máquina.
- 4 Não corte a grama subindo e descendo em declives. Corte a grama ao longo dos declives.
- 5 **PERIGO:** Nenhum Passo.
- 6 **PERIGO:** Mantenha os Seus Pés e Mãos Afastados da Lâmina Rotativa.
- 7 **PERIGO:** Emissões declaradas de ruído ao ar livre de 100 dB(A) está de acordo com a Directiva 2000/14/CE.

- 8 **PERIGO:** Desconecte o Fio do Plugue da Vela Antes de Efetuar Reparos no Equipamento.
- 9 **PERIGO:** Não abrir ou remover as protecções de segurança enquanto o motor está a trabalhar.

Figuras de Controle e Operação (Figura 22)

- 1 Lento
- 2 Rápido
- 3 Motor Parado
- 4 Arranque do motor
- 5 Óleo
- 6 Combustível
- 7 Avançar

MODEL NO.: 226111x52B

SKU No.:

YYYY MM DD: _____

SERIAL NO.:

3050 min-1

32 kg



Manufactured in Lawrenceburg, TN 38464, U.S.A.

Valores declarados de emissão de vibração de acordo com a Directiva 98/37/CE.

Emissão de Vibração de acordo com a norma EN 836/A2:2001: 6.95 m/s².

Valores determinados junto do manípulo com a máquina a trabalhar, parada sobre uma superfície em cimento, a 3050 min-1.

Emissões declaradas de ruído ao ar livre de 100 dB(A) está de acordo com a Directiva 2000/14/CE.

Níveis de Pressão Sonora na posição do operador 84 dB.

Valores determinados pela audição de acordo com as especificações da norma EN 836/A2:2001.

INFORMAÇÃO DO PROPRIETÁRIO

Conheça o seu produto: Se você compreender o equipamento e a forma como ele opera, poderá obter o máximo desempenho. Enquanto você lê este manual, compare as ilustrações com o equipamento. Aprenda a localização e a função dos controles. Para ajudar a evitar acidentes, siga as instruções de operação e as regras de segurança. Guarde este manual para futura referência.



ATENÇÃO: Este símbolo indica precauções importantes de segurança. Ele significa: “Atenção! Tenha Cuidado! A Sua Segurança Está em Perigo.”

Responsabilidade do Proprietário



ATENÇÃO: Esta máquina de corte pode amputar mãos e pés e lançar objetos. O desrespeito das seguintes instruções de segurança pode resultar em ferimentos graves ou na morte do operador ou de pessoas próximas dele.

A responsabilidade do proprietário consiste em seguir as instruções abaixo.

MÉTODOS SEGUROS DE OPERAÇÃO

Para Cortadores de Grama Controlados por Operadores Pedestres

Treino

1. Leia estas instruções cuidadosamente. Familiarize-se com os controles e com o uso correto do equipamento.
2. Jamais deixe crianças ou pessoas que não conheçam estas instruções usar o cortador de grama. Os regulamentos locais podem limitar a idade do operador.
3. Jamais corte a grama enquanto estiverem pessoas, especialmente crianças, ou animais domésticos perto de você.
4. Lembre-se que o operador, ou usuário, é responsável pelos acidentes ou problemas causados a outras pessoas ou aos respectivos bens.

Preparação

1. Quando você estiver cortando grama, use sempre sapatos resistentes e calças compridas. Não opere o equipamento se você estiver descalço ou usando sandálias abertas.
2. Inspeção atentamente a área onde você vai usar o equipamento e remova todos os objetos que possam ser lançados pela máquina.
3. **ATENÇÃO - A gasolina é altamente inflamável.**
 - a. Armazene o combustível em contentores especialmente projetados para esse propósito.

- b. Reabasteça sempre o combustível ao ar livre e nunca fume durante essa operação.
- c. Adicione o combustível antes de pôr o motor a trabalhar. Jamais remova a tampa do depósito de combustível ou adicione gasolina enquanto o motor estiver trabalhando ou quando ele está quente.
- d. Se você derramar gasolina, não tente pôr o motor a trabalhar; afaste antes a máquina da área do derrame e evite gerar fontes de ignição até se dissiparem os vapores da gasolina.
- e. Volte a colocar os tanques de combustível e as respectivas tampas nos seus lugares certos.

4. Substitua os silenciadores danificados.
5. Antes de usar o equipamento, inspecione-o sempre visualmente primeiro para verificar se as lâminas, os parafusos das lâminas e a montagem do cortador não estão gastos ou danificados. Para garantir o equilíbrio, substitua as lâminas e parafusos gastos ou danificados em conjuntos.
6. Em máquinas com várias lâminas, tenha cuidado porque a rotação de uma lâmina pode fazer rodar as outras lâminas.

Operação

1. Não opere o motor em espaços fechados, onde podem acumular-se fumos perigosos de monóxido de carbono.
2. Corte a grama somente com luz solar ou com uma boa iluminação artificial.
3. Evite operar o equipamento em grama molhada, sempre que possível.
4. Em declives, tenha cuidado onde põe os seus pés.
5. Caminhe, não corra.
6. Em máquinas rotativas com rodas, corte a grama lateralmente, ao longo das encostas inclinadas, nunca para cima e para baixo.
7. Tenha muito cuidado ao mudar de direção em declives.
8. Não corte a grama em declives demasiado íngremes.
9. Tenha muito cuidado ao recuar e ao puxar o cortador de grama para si.
10. Pare as lâminas sempre que necessitar de inclinar o cortador de grama para transportá-lo ao atravessar superfícies sem grama, ou ao transportar o cortador de grama de (ou para) o local onde deseja cortar a grama.
11. Jamais opere o cortador de grama com resguardos ou protetores defeituosos, ou sem os respectivos acessórios de segurança, por exemplo defletores e/ou depósitos de grama, nos respectivos lugares.
12. Não mude o ajuste do carburador do motor nem acelere demasiado o motor.
13. Desengrene todas as embraiagens de lâminas e transmissão antes de pôr o motor a trabalhar.
14. Ponha o motor a trabalhar ou ligue a máquina com cuidado, de acordo com as ins-

truções e mantendo sempre os pés bem afastados da(s) lâmina(s).

15. Não incline o cortador de grama enquanto põe o motor a trabalhar ou quando liga a máquina, exceto se isso for necessário para pôr o cortador de grama a trabalhar. Nesse caso, não incline o cortador de grama mais do que o ângulo absolutamente necessário e levante somente a parte que está afastada do operador.
16. Não ponha o motor a trabalhar enquanto você estiver em frente da abertura de escoamento.
17. Não coloque as suas mãos ou pés perto ou debaixo de peças rotativas. Fique sempre afastado da abertura de escoamento.
18. Jamais levante ou carregue o cortador de grama enquanto o motor está a trabalhar.
19. Pare o motor e desconecte o fio do plugue da vela.
 1. antes de limpar obstruções ou desentupir a abertura de escoamento;
 2. antes de verificar, limpar ou efetuar reparos no cortador de grama;
 3. após atingir um objeto estranho. Inspeção cortador de grama para ver se existem sinais de danos e efetue os reparos antes de o utilizar novamente;
 4. se o cortador de grama começar a vibrar de uma forma estranha (verifique imediatamente).
20. Pare o motor
 1. sempre que abandonar o cortador de grama;
 2. antes de reabastecer;
21. Reduza o grau de aceleração ao desligar o motor e, se motor possuir uma válvula de fechamento de gasolina, desligue o combustível quando acabar de cortar a grama.
22. Tenha muito cuidado ao se aproximar de curvas fechadas, arbustos, árvores e outros objetos que possam reduzir a visibilidade.

Manutenção e Armazenamento

1. Mantenha todas as porcas, pinos e parafusos apertados, de forma a garantir que o equipamento está sempre em condições seguras de operação.
2. Jamais armazene o equipamento com gasolina no tanque dentro de um prédio onde os gases possam encontrar uma chama ou faísca.
3. Deixe o motor arrefecer antes de armazenar a máquina num local fechado.
4. Para reduzir o risco de incêndio, mantenha o motor, o silenciador, o compartimento da bateria e a área de armazenamento de gasolina livres de grama, folhas ou massa lubrificante excessiva.
5. Verifique freqüentemente se existem danos ou sinais de deterioração no depósito de grama.
6. Para sua segurança, substitua as peças gastas ou danificadas.
7. Se você necessitar de esvaziar o depósito de combustível, faça-o fora de casa.

MONTAGEM

OBSERVAÇÃO: As ilustrações e figuras começam na página 2.

Instruções de desembalagem

O cortador de grama foi totalmente montado na fábrica. Quando o cortador de grama foi introduzido em sua caixa, o manípulo foi colocado na posição de armazenamento. Para colocar o manípulo na posição de utilização, siga os passos abaixo.

1. **(Figura 1)** Remova o cortador de grama de sua caixa.
2. Coloque o **manípulo inferior (1)** na posição de utilização. Certifique-se que o **manípulo inferior (1)** está entre as **patilhas de bloqueio (2)**.
3. Coloque o **manípulo superior (3)** na posição de utilização. Aperte os **botões (4)**. **CUIDADO: Tenha cuidado ao dobrar ou levantar o manípulo. Não danifique os cabos. Um cabo quebrado não funcionará corretamente. Antes de usar o equipamento, substitua os cabos quebrados ou danificados.**
4. **(Figura 7)** Acione a **alavanca de parada do motor (1)**.
5. **(Figura 2)** Para fixar o **punho de recuo de arranque (1)** na **guia da corda (2)**, torça a corda através da **guia da corda (2)**, montada no lado direito do manípulo.

NOTA: Se não for possível fixar o punho de recuo de arranque porque a corda é demasiado curta, segure a alavanca de parada do motor contra o manípulo. Lentamente, puxe o punho de recuo de arranque.

Como ajustar a altura do manípulo

(Figura 3 e Figura 4) O **suporte do manípulo (1)** tem duas posições de montagem. Uma posição **HIGH (Alta) (3)** e uma posição **LOW (Baixa) (4)**. A posição **HIGH (Alta) (3)** levanta o manípulo aproximadamente dez centímetros.

1. **(Figura 1)** Remova as **porcas de orelha (6)** e os parafusos dos **suportes do manípulo (2)** esquerdo e direito.
2. **(Figura 3)** Para levantar o manípulo, monte o **manípulo inferior (1)** na posição **HIGH (Alta) (3)**.
3. **(Figura 4)** Para baixar o manípulo, monte o **manípulo inferior (1)** na posição **LOW (Baixa) (4)**.
4. **(Figura 1)** Fixe o **manípulo inferior (1)** nos **suportes do manípulo (2)** usando os parafusos e as **porcas de orelha (6)**.

Como Preparar o Motor

Observação: O motor não contém ÓLEO nem GASOLINA.



ATENÇÃO: Siga as instruções do fabricante do motor para saber qual o tipo de gasolina e óleo que devem ser usados. Use sempre um contentor de gasolina de segurança. Não fume enquanto coloca a gasolina no motor. Enquanto você estiver num local fechado, não adicione gasolina. Antes de adicionar gasolina, pare o motor. Deixe o motor arrefecer alguns minutos.

F-050445L

OBSERVAÇÃO: A potência real continua ser provavelmente mais baixa devido a limitações de funcionamento e a factores ambientais.

Leia as instruções do fabricante do motor para saber qual o tipo de gasolina e óleo que você deve usar. Antes de usar o equipamento, leia as informações sobre segurança, modo de uso, manutenção e armazenamento.

Remoção e Instalação do Conjunto de Acamar



ATENÇÃO: Antes de remover ou instalar o conjunto de acamar, desconecte o fio do plugue da vela.

Em alguns modelos, o conjunto de acamar é instalado na fábrica. Para mudar entre a descarga de acamamento e a descarga lateral, remova a chapa do acamador.

Um cortador de grama de descarga lateral pode ser convertido em um cortador de grama de acamar instalando o conjunto de acamar, da seguinte forma:

1. **(Figura 6)** Levante o **defletor de escoamento (1)**.
2. Alinhar a **placa de acamamento (2)** com a abertura do lado da descarga. Assegure-se de que os dois **pára-choques (5)** estão dentro da abertura.
3. Monte a **patilha (3)** da parte superior da **chapa do acamador (2)** na parte interior da cobertura do cortador de grama.
4. **(Figura 5)** Monte a **patilha (4)** na base da **chapa do acamador (2)** na parte interior da cobertura do cortador de grama.
5. Baixe o **defletor de escoamento (1)**.

Dicas de Acamamento

O acamamento corta a grama muito fina, de forma a que ela possa ser facilmente reciclada. Como os nutrientes são colocados de volta na terra, a grama necessitará de menos fertilizante. Para acamar corretamente o gramado, siga as instruções abaixo.

- A grama tem de estar seca. Quando a grama está molhada, ela é mais difícil de cortar e gera grandes aglomerações de grama.
- A grama não pode ser muito alta. A altura máxima permitida para um corte eficaz é 11,5 cm. Posicione os ajustadores de altura de forma que somente seja cortada a terceira parte superior da grama.
- Se a grama tiver mais de 11,5 cm de altura, você terá de cortar a grama duas vezes. No primeiro corte, mude os ajustadores de altura para a posição mais alta. Depois, baixe os ajustadores de altura para o segundo corte de grama.
- Mantenha a lâmina sempre bem afiada. Se a lâmina não estiver bem afiada, as pontas da grama ficarão marrom.
- Limpe a parte inferior da cobertura do cortador de grama. A grama e outros detritos podem impedir o cortador de grama de operar corretamente.

Se a qualidade do corte for insuficiente, tente o seguinte:

- Coloque os ajustadores de altura numa posição de corte mais elevada.
- Corte a grama mais freqüentemente.
- Utilize o cortador de grama a uma velocidade mais baixa no terreno.
- Aumente o número de passagens com o cortador, em vez de cortar fileiras completas em cada passagem.
- Corte a grama ao longo das áreas marginais numa segunda passagem.

OPERAÇÃO

OBSERVAÇÃO: As ilustrações e figuras começam na página 2.

Alavanca de Paragem do Motor **(Figura 7)**

Libere a **alavanca de paragem do motor (1)** para que o motor e a lâmina parem automaticamente. Para acionar o motor, mantenha a **alavanca de paragem do motor (1)** na **posição de Operação (2)**

Antes de você pôr o motor a trabalhar, acione várias vezes a **alavanca de paragem do motor (1)**. Verifique se o cabo se move facilmente.

Como Parar o Motor **(Figura 7)**

Para parar o motor, libere a **alavanca de paragem do motor (1)**. Desconecte o fio do plugue da vela para impedir o motor de trabalhar.

Se o motor não parar, segure uma chave de fenda contra o plugue da vela e contra as palhetas de arrefecimento do motor. A vela extingue-se e o motor pára. Antes de você pôr o motor a trabalhar, verifique o cabo de paragem do motor. Verifique se o cabo de paragem do motor está corretamente montado. Antes de utilizar o equipamento, substitua um cabo de paragem do motor quebrado ou danificado.

Sistema de tração dianteira **(Figura 8)**

O cortador de grama possui um sistema de tração dianteira. Opere o sistema da seguinte forma.

1. Segure a **alavanca de parada do motor (1)** na posição OPERATING (Operação).
2. Empurre a **alavanca da transmissão (2)** totalmente para a frente. Quando **alavanca da transmissão (2)** der um clique, solte a **alavanca da transmissão (2)**. O sistema de transmissão está acionado. **NOTA: Para parar o motor, solte a alavanca de parada do motor.**
3. Para desengrenar o sistema de transmissão e parar o motor, solte completamente a **alavanca de parada do motor (1)**.
4. Para desengrenar somente o sistema de transmissão, solte a **alavanca de parada do motor (1)** aproximadamente cinco centímetros. O sistema de transmissão será desengrenado mas o motor continua a trabalhar.



ATENÇÃO: Para garantir uma operação segura, o sistema de transmissão deve desengrenar imediatamente após a liberação da alavanca da transmissão. Se o sistema de transmissão não desengrenar corretamente, não use o cortador de grama antes de o sistema de transmissão ser ajustado ou reparado num centro de serviço autorizado.

Como Pôr o Motor a Trabalhar (Figura 9 e Figura 10)



ATENÇÃO: A lâmina gira quando o motor está a trabalhar.

1. Verifique o óleo.
2. Encha o depósito de combustível com gasolina normal sem chumbo. Veja a seção "Como Preparar o Motor".
3. Certifique-se que o fio do plugue da vela está conectado no plugue da vela.
4. Certifique-se que a alavanca da transmissão está na posição DISENGAGED (Desengrenada).
5. (Figura 9) O botão injetor de gasolina (1) está localizado na parte lateral do motor. Pressione o **botão injetor de gasolina (1)** cinco vezes. Após pressionar o **botão injetor de gasolina (1)**, espere dois segundos.
OBSERVAÇÃO: Não use o botão injetor de gasolina para arrancar o motor a quente.
6. (Figura 10) Fique atrás do cortador de grama. Use uma das suas mãos para manter a **alavanca de paragem do motor (1)** na posição de operação, da forma mostrada. Use a outra mão para pressionar o **punho de recuo de arranque (2)**.
7. Puxe rapidamente o **punho de recuo de arranque (2)**. Solte lentamente o **punho de recuo de arranque (2)**.
8. Se o motor não começar a trabalhar após 5 ou 6 tentativas, veja as instruções na seção "Tabela de Solução de Problemas".

MANUTENÇÃO

OBSERVAÇÃO: As ilustrações e figuras começam na página 2.

Manutenção do Motor

Siga esta seção de manutenção para manter o seu equipamento em boas condições de operação. Todas as informações de manutenção do motor estão localizadas no manual de instruções do motor. Antes de você pôr o motor a trabalhar, leia este manual.



ATENÇÃO: Antes de você efetuar uma inspeção, ajuste (exceto no carburador), ou reparo, desconecte o fio do plugue da vela.

Virar o motor (Figura 3)

Ao efetuar a manutenção do motor, inspecionar a lâmina ou limpar a parte inferior do cortador de grama; não se esqueça de virar o motor com a vela de ignição para cima. Transportar ou virar o motor com a vela de ignição para baixo causarão:

- Dificuldades no arranque.
- Excesso de fumo.
- Danos na vela de ignição.
- Acumulação de gasolina ou óleo no filtro do ar.

Lubrificação

1. Para obter o máximo desempenho, lubrifique as rodas e todos os pontos articulados com óleo de motor cada 25 horas.

F-050445L

2. Para lubrificar o motor, leia o manual de instruções do motor.

OBSERVAÇÃO: Não lubrifique o cabo de paragem do motor. Os lubrificantes provocam danos neste cabo e impedem o mesmo de se mover livremente. Se o cabo estiver quebrado ou danificado, substitua-o.

Como Limpar a Cobertura do Cortador de Grama



ATENÇÃO: A lâmina gira quando o motor está a trabalhar. Antes de você limpar a cobertura do cortador de grama, pare o motor e desconecte o fio do plugue da vela.

A grama e outros detritos podem impedir o cortador de grama de operar corretamente. Após cortar a grama, limpe a cobertura do cortador de grama da seguinte forma.

1. Pare o motor.
2. Desconecte o fio do plugue da vela.
3. Limpe o topo e o fundo da cobertura do cortador de grama.

Como Ajustar a Altura do Corte (Figura 11)



ATENÇÃO: A lâmina gira quando o motor está a trabalhar. Antes de ajustar a altura do corte, desconecte o fio do plugue da vela.

Para ajustar a altura do corte, mude a posição do **braço de ajuste (1)** em cada roda. Para que o cortador de grama corte sempre ao mesmo nível, certifique-se que todos os **braços de ajuste (1)** estão na mesma posição.

1. Desengrene o **braço de ajuste (1)**.
2. Mova o **braço de ajuste (1)** para outra posição.

Como Remover a Correia de Transmissão

Para remover a correia de transmissão, siga os passos abaixo.



ATENÇÃO: Antes de remover a correia, desligue o fio da vela de ignição.

1. (Figura 13) Remova a **tampa da correia (1)**.
2. (Figura 14) Desligar a **correia de tensão do parafuso (2)**.
3. Remover a frente da **correia de transmissão (3)** da **roda de transmissão (4)**.
4. (Figura 15) Para remover a rectaguarda da **correia de transmissão (3)**, deslizar a **correia de transmissão (3)** até ao fim da lâmina (4).

NOTA: Certifique-se que substitui a correia de transmissão apenas com a correia de substituição da fábrica.

5. Para montar a **correia de transmissão (3)**, inverter os passos anteriores.
6. (Figura 16) Ajustar a tensão da correia.
 - a. Aperte a **porca de ajuste (5)** até que a porca toque o **carrinho (6)**. Tente virar o **carrinho (6)**. Quando a **porca de ajuste (5)** toca no **carrinho (6)**, o **carrinho (6)** não vai virar.
 - b. Depois, desligar a **porca de ajuste (5)** apenas até permitir que o **carrinho (6)** vire. A tensão da **correia de transmissão (3)** está agora correcta.

7. (Figura 13) Instalar a **capa da correia (1)**.
8. Antes de você começar a cortar a relva, verifique se o sistema de transmissão desengrenou correctamente e se o cortador de relva pára. Se o sistema de transmissão não desengrenar, leve o cortador de relva a um centro de serviço autorizado antes de voltar a usá-lo.

Como ajustar o cabo de transmissão (Figura 12)



ATENÇÃO: Antes de ajustar o cabo de transmissão, desligue a alavanca de paragem do motor e espere que o motor pare.

Se o sistema de transmissão não estiver engrenado e desengrenado correctamente, verifique se o manípulo está correctamente montado. Verifique se todas as peças estão em boas condições, se não estão quebradas ou danificadas e se todos os encaixes estão bem apertados.

As peças gastas e o alongamento do cabo afectam o desempenho do sistema de transmissão. Quando você corta relva alta ou grossa ou trabalha em colinas, o sistema de transmissão pode escorregar. Se o sistema de transmissão estiver a escorregar, faça os seguintes ajustes ou leve o cortador de relva a um centro de serviço autorizado.

IMPORTANTE: Antes de ligar o motor, manusear a alavanca de paragem do motor. Verifique se o fio de paragem do motor se move livremente.

NOTA: O motor não inclui um controlo da manete de potência ou ajuste da velocidade do motor. O motor está preparado com a melhor velocidade para o corte de relva, acondicionamento da relva, e para a duração prolongada do motor.

1. Se o sistema de transmissão estiver a escorregar, virar o **fio de ajuste (1)** até à posição um, como aparece na figura. Teste o sistema de transmissão e verifique o deslizamento.
2. Se o sistema de transmissão continuar a escorregar, vire o **fio de ajuste (1)** mais uma vez para diminuir o fio. Teste de novo o sistema de transmissão.
3. Repetir o ajuste e testar até que o sistema de transmissão não escorregue.
4. Antes de começar a cortar a relva, verifique se o sistema de transmissão está desengrenado correctamente e que o cortador de relva pára. Se o sistema de transmissão não desengrenar, leve o cortador de relva a um centro de serviço autorizado.

Substituição da Lâmina de Acamar

Os cortadores de grama de acamar estão equipados com uma lâmina especial de acamamento. Se a lâmina de acamar estiver gasta ou danificada, substitua-a por uma lâmina de acamar igual à do equipamento original. Uma lâmina normal não cortará corretamente e pode causar um acidente.

Manutenção da Lâmina



ATENÇÃO: Antes de você inspecionar a lâmina ou o adaptador da lâmina, desconecte o fio do plugue da vela. Se a lâmina atingir um objeto, pare o motor. Desconecte o fio do plugue da vela. Verifique se existem danos no equipamento.

Verifique freqüentemente se existem sinais de desgaste ou danos, tais como fendas, na lâmina. Verifique freqüentemente o parafuso que segura a lâmina. Mantenha o parafuso bem apertado. Se a lâmina atingir um objeto, pare o motor. Desconecte o fio do plugue da vela. Verifique se existem danos no adaptador da lâmina. Verifique se a lâmina está quebrada ou danificada, se ela está muito gasta, ou se existem outros danos. Antes de utilizar o equipamento, substitua as peças danificadas por peças de equipamento fornecidas pelo fabricante. Para sua segurança, substitua a lâmina cada dois anos. Mantenha a lâmina bem afiada. Uma lâmina pouco afiada faz com que as pontas da grama fiquem marrom. Remova a lâmina da seguinte forma.

Como Remover a Lâmina (Figura 17 e Figura 18)



ATENÇÃO: Antes de remover a lâmina, desconecte o fio do plugue da vela. A lâmina possui bordas afiadas. Ao manusear a lâmina, use luvas ou um material de pano para proteger as suas mãos.

1. Esvazie o tanque de combustível.
2. Levante o lado do cortador de grama onde está localizado o defletor ou o plugue da vela.
3. Use um pedaço de madeira para impedir a lâmina de girar.
4. Remova o parafuso (1) que segura a lâmina (2).
5. Verifique a lâmina de acordo com as instruções na seção "Manutenção da Lâmina". Substitua uma lâmina muito gasta ou danificada por uma peça de substituição fornecida pelo fabricante.
6. Monte a lâmina com as bordas curvas viradas para a cobertura. Se a lâmina for montada ao contrário, ela não cortará corretamente e pode causar um acidente.
7. Aperte a lâmina (2) usando as anilhas (3 e 4) e o parafuso (1) originais. Verifique se as bordas exteriores das anilhas Belleville (4) estão viradas na direção da lâmina (2).
8. Aperte o parafuso (1) que segura a lâmina (2) até uma torque de 30 libras por pé.



ATENÇÃO: Mantenha sempre o parafuso (1) que segura a lâmina (2) bem apertado. Um parafuso (1) ou lâmina (2) soltos podem causar um acidente.

Verificar o Nível de Corte

Teste o equipamento numa área pequena. Se a altura do corte não for uniforme ou se a grama não for descarregada, as causas podem ser: (1) a lâmina está quebrada ou danificada, (2) a lâmina não está afiada, (3) a lâmina está gasta ou (4) o adaptador da lâmina está quebrado. Antes de usar o equipamento, corrija o problema.

Armazenamento do Manípulo de Dobrar (Figura 19 e Figura 1)

CUIDADO: Tenha cuidado ao dobrar ou levantar o manípulo. Não danifique os cabos. Um cabo quebrado não funcionará corretamente. Antes de usar o equipamento, substitua os cabos quebrados ou danificados.

F-050445L

Como Dobrar o Manípulo

1. (Figura 19) Afrouxe os encaixes que conectam a parte superior do manípulo na parte inferior do manípulo. Ao dobrar o manípulo, certifique-se que os cabos não estão junto dos encaixes soltos e que não são danificados. Gire a parte superior do manípulo na direção da parte traseira do equipamento.
2. (Figura 1) Afrouxe os botões do manípulo inferior (1). Pressione as extremidades do manípulo inferior (1). Mova as extremidades do manípulo inferior (1) além das patilhas de bloqueio (2).
3. Rode o manípulo para a frente, sobre o motor. Certifique-se que os cabos não estão danificados.

Como Levantar o Manípulo

1. Puxe o manípulo para trás, até encaixar as extremidades do manípulo inferior (1) na posição correta.
2. Levante a parte superior do manípulo para a posição do operador. Aperte os encaixes que seguram o manípulo.

Como Preparar o Cortador de Grama para Armazenamento



ATENÇÃO: Não remova a gasolina enquanto você estiver dentro de um prédio, perto de uma fogueira ou enquanto estiver fumando. Os vapores da gasolina podem causar uma explosão ou um incêndio.

1. Esvazie o tanque de combustível.
2. Deixe o motor trabalhar até esgotar a gasolina.
3. Esvazie o óleo com o motor quente. Encha o cárter do motor com óleo.
4. Remova o plugue da vela do cilindro. Adicione uma onça (28,41 cc) de óleo no cilindro. Puxe lentamente o punho de recuo de arranque, para que o óleo proteja o cilindro. Instale um plugue de vela novo no cilindro.
5. Limpe a poeira e os detritos nas palhetas de arrefecimento do cilindro e na cobertura do motor.
6. Limpe a parte inferior da cobertura do cortador de grama.
7. Limpe totalmente o cortador de grama para proteger a pintura.
8. Coloque o equipamento num local com uma boa ventilação.

Como Encomendar Peças de Substituição

As peças de substituição são mostradas quer nas últimas páginas deste Manual de Instruções quer no Manual de Listagem de Peças separado.

Use somente peças de substituição autorizadas ou aprovadas pelo fabricante. A letra no final do número de peça indica o tipo de acabamento utilizado na peça, C para cromo, Z para zinco, PA para montagem adquirida. É importante que você mencione essa letra quando encomenda uma peça. Não use anexos ou acessórios que não foram projetados especificamente para este equipamento. Para obter peças de substituição corretas, você tem que fornecer o número de modelo do seu cortador de grama (veja a chapa de referência).

As peças de substituição, exceto o motor, a transmissão, o eixo transversal e o diferencial, estão disponíveis no armazém onde o cortador de grama foi adquirido ou num centro de serviço recomendado pelo armazém.

Se você não encontrar as peças ou o serviço nos locais acima, contate:

HAYTER LIMITED,
Service Department,
Spellbrook,
Bishop's Stortford,
Hertfordshire. CM23 4BU.

MURRAY, INC.
International Sales
P.O. Box 268
Brentwood, Tennessee USA 37024
1-800-251-8007
Fax (615) 373-6633

As peças de substituição para o motor, eixo transversal ou transmissão também podem ser obtidas a partir do centro de serviço autorizado do fabricante, indicado nas páginas comerciais da lista telefônica. Veja também as garantias próprias do motor e da transmissão para encomendar peças de substituição.

Para encomendar, você necessita providenciar a seguinte informação:

- (1) O Número do Modelo
- (2) O Número Serial
- (3) O Número da Peça
- (4) A Quantidade

TABELA DE SOLUÇÃO DE PROBLEMAS

O motor não arranca.

1. Verifique se o depósito de combustível está cheio de gasolina limpa. Não use gasolina antiga.
2. Se o motor estiver frio, pressione o botão injetor de gasolina (opcional em alguns modelos) cinco vezes.
3. Certifique-se que o fio do plugue da vela está conectado no plugue da vela.
4. Ajuste o Carburador. Veja a seção manual de instruções.
5. Há demasiada gasolina no cilindro do motor. Remova e seque o plugue da vela. Puxe o punho de recuo de arranque várias vezes. Instale o plugue da vela. Conecte o fio no plugue da vela. Ponha o motor a trabalhar.
6. É difícil pôr o motor a trabalhar sobre grama pesada ou alta. Mova o cortador de grama para uma superfície seca e limpa.
7. Verifique se a alavanca de paragem do motor está na posição de operação.
8. Verifique se a válvula de combustível está na posição ON (Ligada). Veja o manual de instruções do motor.

O motor não pára.

1. Libere a alavanca de paragem do motor.
2. Verifique o cabo de paragem do motor. Se o cabo estiver quebrado ou danificado, substitua-o.

O desempenho do motor é fraco.

1. Verifique os ajustes da altura de corte. Se a grama for alta, aumente a altura de corte.
2. Verifique o fundo da cobertura da lâmina. Remova a grama e outros detritos da cobertura da lâmina.

3. Verifique a conexão do fio do plugue da vela. Verifique se o fio está conectado.
4. Remova a grama e outros detritos das palhetas de arrefecimento do motor.
5. Verifique os ajustes do carburador. Veja o manual de instruções do motor.
6. Verifique o afastamento do plugue da vela. Ajuste o afastamento do plugue da vela para 0,076 cm.
7. Verifique a quantidade de óleo no motor. Se necessário, adicione óleo ao motor.
8. Verifique o filtro de ar do motor. Veja a seção manual de instruções do motor.
9. A gasolina tem mau aspecto. Esvazie e limpe o depósito do combustível. Encha o depósito do combustível com gasolina limpa.

Vibração excessiva.

1. Remova a lâmina. Se necessário, verifique a lâmina e o seu equilíbrio. Veja as instruções de manutenção da lâmina.
2. Verifique se a lâmina está quebrada ou danificada. AS LÂMINAS DANIFICADAS SÃO PERIGOSAS E TÊM DE SER SUBSTITUÍDAS.
3. Verifique o adaptador da lâmina. SE O ADAPTADOR DA LÂMINA ESTIVER QUEBRADO, SUBSTITUA-O.
4. Se a vibração continuar, leve o cortador de grama a um Centro de Serviço Autorizado.

A grama não é corretamente descarregada.

1. Limpe a parte inferior da cobertura do cortador de grama.

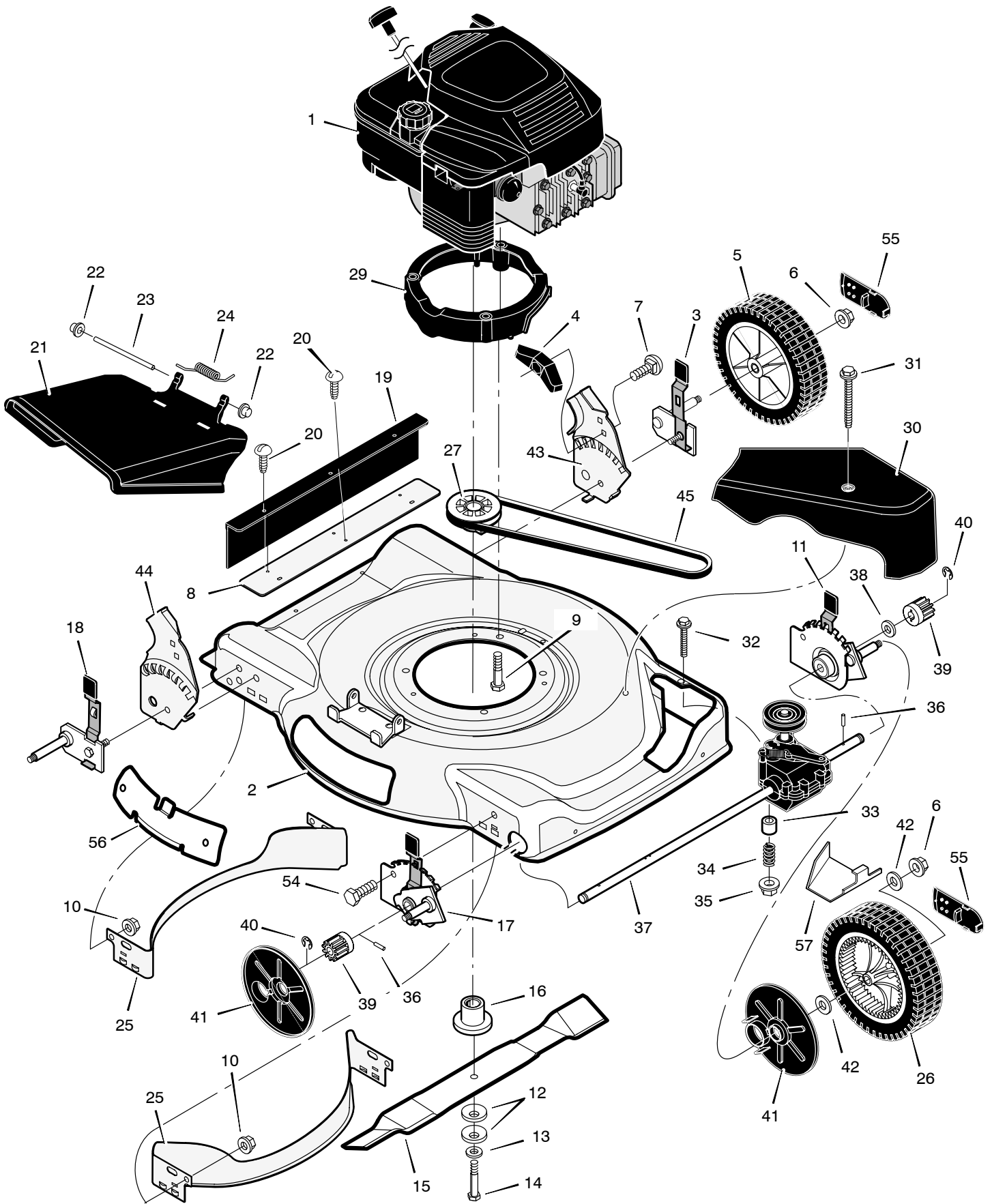
2. Verifique se a lâmina está muito gasta. Remova e afie a lâmina. Para sua segurança, substitua a lâmina cada dois anos por uma lâmina de substituição fornecida pelo fabricante.

O corte da grama não é uniforme.

1. Verifique o ajuste de altura em cada roda. O ajuste de altura tem de ser igual em todas as rodas.
2. Verifique se a lâmina está afiada.
3. Verifique se a lâmina está quebrada ou danificada. AS LÂMINAS DANIFICADAS SÃO PERIGOSAS E TÊM DE SER SUBSTITUÍDAS.
4. Verifique se o adaptador da lâmina está quebrado. SE O ADAPTADOR DA LÂMINA ESTIVER QUEBRADO, SUBSTITUA-O.

- Ⓒ ***Parts List*** - Model 226111x52B
- Ⓕ ***Liste de pièces*** - Modèle 226111x52B
- Ⓓ ***Teileliste*** - Modell 226111x52B
- Ⓘ ***Elenco pezzi*** - Modello 226111x52B
- Ⓝ ***Onderdelenlijst*** - Model 226111x52B
- Ⓓ ***Reservedelsliste*** - Model 226111x52B
- Ⓝ ***Deleliste*** - Modell 226111x52B
- Ⓢ ***Reservdelslista*** - Modell 226111x52B
- Ⓛ ***Varaosaluettelo*** - Malli 226111x52B
- Ⓔ ***Lista de piezas*** - Modelo 226111x52B
- Ⓟ ***Lista de peças*** - Modelo 226111x52B

226111x52B



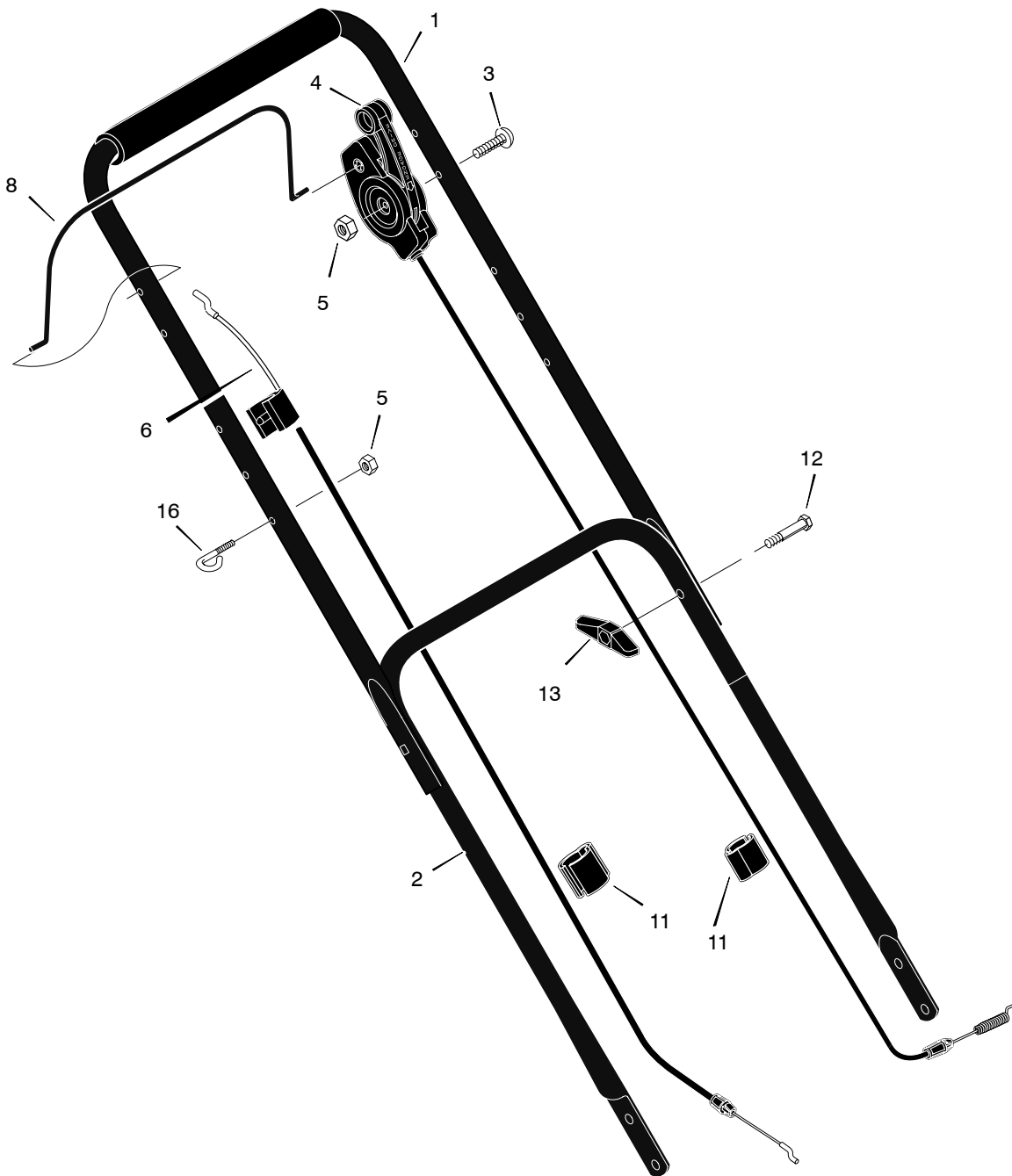
226111x52B

1	-----	Engine *	27	1101653	Pulley
2	776023	Housing	29	1101786 1101787	Base, Engine (Black) Base, Engine (Gray)
3	672641	Height Adjuster, Left Rear	30	1101830 1101831	Cover, Belt (Black) Cover, Belt (Gray)
4	071495	Knob	31	26x313	Screw
5	071132	Wheel and Tire, Rear	32	01x118	Bolt
6	015x84	Locknut, Flange	33	043844	Spacer
7	002x81	Bolt, Carriage	34	164x27	Spring
8	672711E701	Extension, Rear	35	015x88	Nut
9	025x11	Bolt, Engine	36	043629	Pin, Drive
10	015x68	Nut	37	1101571	Transmission - Note: There are no internal serviceable parts for the transmission.
11	672643	Height Adjuster, Left Front	38	17x186	Washer
12	17x137	Washer, Belleville	39	071792	Gear, Pinion
13	17x124	Washer	40	011x16	E-Ring
14	01x148	Bolt, Hex	41	071780	Cover, Dust
15	1101120E701	Blade	42	17x169	Washer
16	672094	Adapter, Blade	43	1101303E700	Bracket, Left Handle
17	672642	Height, Adjuster, Right Front	44	1101302E700	Bracket, Right Handle
18	672640	Height, Adjuster, Right Rear	45	37x123	Belt, Briggs & Stratton
19	672738	Guard, Rear	54	001x85	Bolt
20	26x245	Screw	55	043615	Hub Cap
21	672421	Deflector, Chute	56	672422 Z	Plate, Mulch - <i>Optional</i>
22	028x42	Push-On Cap	57	1101961	Cover, Transmission
23	215x11 Z	Pin, Pivot	-	F-050445L	Book, Instruction
24	0166x5	Spring			
25	672744E701	Baffle +			
26	071133	Wheel and Tire, Drive			

* For information on Replacement Parts for this engine contact the manufacturer.

+ Included with Housing, Key No. 1.

226111x52B



1	1101557E701 1101557E724	Handle, Upper (Black) Handle, Upper (Gray)	6	1101365	Cable, Stop
2	1102089E701 1102089E724	Handle, Lower (Black) Handle, Lower (Gray)	8	1101076E701	Lever, Stop
3	025x14	Bolt	11	1101353	Fastener, Cable
4	1101670	Control, Drive	12	002x77	Bolt
5	15x116	Locknut	13	071294	Knob
			16	071530	Guide, Rope

-
- (D) EG-Konformitätserklärung**
entsprechend der Richtlinie 98/37/EG
entsprechend der Richtlinie 89/336/EWG
entsprechend der Richtlinie 2000/14/EG
- (GB) EC Certificate of Conformity**
conforming to Directive 98/37/EC
conforming to Directive 89/336/EEC
conforming to Directive 2000/14/EC
- (F) Déclaration de conformité pour la CEE**
conforme à la directive 98/37/CE
conforme à la directive 89/336/CEE
conforme à la directive 2000/14/CE
- (I) Certificato di conformita' comunitario**
conforme alla Direttiva 98/37/CE
conforme alla Direttiva 89/336/CEE
conforme alla Direttiva 2000/14/CE
- (E) Declaración de Conformidad**
según la directiva 98/37/CE
según la directiva 89/336/CEE
según la directiva 2000/14/CE
- (NL) EG-Conformiteitsverklaring**
overeen komstig de Richtlijn 98/37/EG
overeen komstig de Richtlijn 89/336/EEG
overeen komstig de Richtlijn 2000/14/EG
- (P) Declaração de conformidade**
conforme com a Diretiva 98/37/CE
conforme com a Diretiva 89/336/CEE
conforme com a Diretiva 2000/14/CE
- (S) EU-konformitetsintyg**
överensstämmande med direktiv 98/37/EG
överensstämmande med direktiv 89/336/EEG
överensstämmande med direktiv 2000/14/EG
- (N) EU-konformitetserklæring**
overholder direktiv 98/37/EF
overholder direktiv 89/336/EØS
overholder direktiv 2000/14/EF
- (DK) EU-overensstemmelseserklæring**
overholder direktiv 98/37/EF
overholder direktiv 89/336/EØF
overholder direktiv 2000/14/EF
- (SF) EY: n Vaatimustenmukaisuusilmoitus**
naudattaa direktiiviä 98/37/EY
naudattaa direktiiviä 89/336/ETY
naudattaa direktiiviä 2000/14/EY

erklären in alleiniger Verantwortung, daß das Produkt
 declare in sole responsibility, that the product
 déclarons sous notre seule responsabilité que le produit
 dichiariamo sotto la nostra piena responsabilità che il prodotto
 declaramos bajo responsabilidad propia que el producto
 verklaren enig in verantwoording, dat het produkt
 declaramos com responsabilidade própria que o produto
 intyggar med ensamansvar att nedanstående produkt
 erklærer som eneansvarlig at produktet
 erklærer som eneansvarlig, at produktet
 ilmoitamme yksin vastaavamme, että tuote

226111x52B

(Fabrikat, Typ) (Make, model) (Marque, modèle) (Marca, tipo)
 (Marca, modelo) (Fabricant, type) (Marca, modelo) (Fabrikat, typ)
 (Fabrikat, type) (Mærke, type) (Merkki, malli)

auf das sich diese Erklärung bezieht, den Anforderungen der Richtlinie 98/37/EG, der Richtlinie 2000/14/EG
 (Konformitätsbewertungsverfahren gemäß Anhang VIII) Richtlinie 2002/88/EC und der Richtlinie 89/336/EEG und aktuellen
 Ergänzungen entspricht

to which this certificate applies, conforms to the requirements of Directive 98/37/EC, Directive 2000/14/EC (conformity assessment
 procedure according to Annex VIII), Directive 2002/88/EC and Directive 89/336/EEC and current amendments

faisant l'objet de la déclaration est conforme aux prescriptions fondamentales stipulées dans la Directive 98/37/CE, la directive
 2000/14/CE (procédure d'évaluation de conformité selon l'annexe VIII), directive 2002/88/EC la directive 89/336/CEE et leurs
 modifications courantes

cui la presente dichiarazione si riferisce, è conforme ai requisiti della Direttiva 98/37/CE, della Direttiva 2000/14/CE (procedura di
 valutazione della conformità secondo l'Allegato VIII), Direttiva 2002/88/EC e della Direttiva 89/336/CEE e correnti emendamenti
 al cual se refiere la presente declaración corresponde a las exigencias de la directiva 98/37/CE, de la directiva 2000/14/CE (los
 procedimientos de evaluación de conformidad según el Anexo VIII) directiva 2002/88/EC y de la directiva 89/336/CEE y enmiendas
 vigentes

waarop deze verklaring betrekking heeft, overeenkomt met eisen van de richtlijn 98/37/EG, de richtlijn 2000/14/EG
 (conformiteitsbeoordelingsprocedure volgens bijlage VIII), richtlijn 2002/88/EC de richtlijn 89/336/EEG en huidige wijzigingen
 ao que se refere esta declaração corresponde às exigências da Directiva 98/37/CE, Directiva 2000/14/CE (em conformidade com o
 processo de avaliação, de acordo com o Anexo VIII) Directiva 2002/88/EC e Directiva 89/336/CEE e actuais alterações
 för vilket detta intyg gäller, uppfyller kraven enligt direktiv 98/37/EG, direktiv 2000/14/EG (procedur för bedömning av överensstämmelse
 enligt tillägg VIII), direktiv 2002/88/EC, 89/336/EEG samt allmänna tillägg

som denne erklæring vedrører, oppfyller kravene i direktiv 98/37/EF, direktiv 2000/14/EF (konformitetsvurderingsprosedyre i henhold til
 annekset VIII) direktiv 2002/88/EC og direktiv 89/336/EØS og aktuelle vedlegg

som denne erklæring vedrører, overholder kravene i direktiv 98/37/EF, direktiv 2000/14/EF (konformitetsvurderingsprocedure iflg. Annex
 VIII) direktiv 2002/88/EC og direktiv 89/336/EØF og ændringer

johon tämä ilmoitus liittyy, vastaa direktiivin 98/37/EY, direktiivin 2000/14/EY (Liitteen VIII mukaisten yhdenmukaisuuden
 arviointitoimien), direktiivin 2002/88/EC, direktiivin 89/336/ETY ja nykyisten muutosten vaatimuksia

Zursachgerechten Umsetzung der EG-Richtlinien wurde(n) folgende Norm(en) und/oder technische Spezifikation(en) herangezogen:
 EN 836/A2:2001, EN 836:1997, BS EN 1033:1996 und/oder, EN ISO 3744;1995, ISO 11094;1991

To effect correct application of the EEC Directives, the following standards and/or technical specifications were consulted: EN
 836/A2:2001, EN 836:1997, BS EN 1033:1996 and/or, EN ISO 3744;1995, ISO 11094;1991

Pour mettre en pratique les Directives de la CEE, il a été tenu compte de la/des norme(s) et/ou de la/des spécification(s) technique(s)
 suivante(s): EN 836/A2:2001, EN 836:1997, BS EN 1033:1996 et/ou, EN ISO 3744;1995, ISO 11094;1991

Per un'opportuno riscontro della normativa CEE, è (sono) stata(e) consultata(e) la(e) seguente(i) norma(e) e/o specifica(che)
 tecnica(che): EN 836/A2:2001, EN 836:1997, BS EN 1033:1996 e/o, EN ISO 3744;1995, ISO 11094;1991

Con el fin de realizar de forma adecuada las exigencias en las normativas de la CEE (fué(ron) consultada(s) la(s) siguiente(s)
 normativa(s) y especificación(es) técnica(s): EN 836/A2:2001, EN 836:1997, BS EN 1033:1996 y/o, EN ISO 3744;1995, ISO
 11094;1991

Om de EG-richtlijnen in juiste vorm om te zetten, is/zijn van volgende norm(en) en/of technische specificatie(s) gebruik gemaakt: EN
 836/A2:2001, EN 836:1997, BS EN 1033:1996 en/of, EN ISO 3744;1995, ISO 11094;1991

Com o fim de realizar de forma apropriada as exigências nas normas da C.E.E. consultou-se a(s) seguinte(s) norma(s) e/ou
 especificação(ões) técnica(s): EN 836/A2:2001, EN 836:1997, BS EN 1033:1996 e/ou, EN ISO 3744;1995, ISO 11094;1991

Följande norm(er) och/eller teknisk(a) specifikation(er) har legat till grund för ett fackmässigt införande av de i EU-normerna: EN
 836/A2:2001, EN 836:1997, BS EN 1033:1996 och/eller, EN ISO 3744;1995, ISO 11094;1991

Følgende normer og/eller tekniske spesifikasjoner er lagt til grunn for gjennomførelse av EU-retningslinjene: EN 836/A2:2001, EN
 836:1997, BS EN 1033:1996 og/eller, EN ISO 3744;1995, ISO 11094;1991

Til gennemførelse af de EF-direktivet er følgende standard(er) og/eller tekniske specifikation(er) anvendt: EN 836/A2:2001, EN
 836:1997, BS EN 1033:1996 og/eller, EN ISO 3744;1995, ISO 11094;1991

ETY-direktiivin oikean soveltamisen varmistamiseksi on käytetty seuraavia standardeja ja/tai teknisiä erittelyjä: EN 836/A2:2001, EN
 836:1997, BS EN 1033:1996 ja/tai, EN ISO 3744;1995, ISO 11094;1991

Bauart	RASENMAEHER
Category	LAWNMOWER
Categorie	TONDEUSE A GAZON
Categoria	TORSAERBA
Categoría	CORTADORA DE CESPED
Categorie	GRASMAAIMACHINE
Categoria	CORTADOR DE GRAMA
Kategori	GRÄSKLIPPARE
Kategori	GRESSKLIPPER
Kategori	GRÆSSLÅMASKINE
Kategoria	RUOHONLEIKKURI

Fabrikmarke / Make / Marque / Marca / Marca / Merk / Marca / Fabriksmärke / Merke / Mærke / Merkki	MURRAY
--	--------

Typ / Type / Type / Tipo / Tipo / Model / Tipo / Typ / Type / Type / Tyyppi	6 HP / 22
---	-----------

Garantierter Schalleistungspegel Guaranteed sound power level Niveau de puissance acoustique garanti Livello di potenza acustica garantito Nivel garantizado de potencia acústica Gewaarborgd niveau van geluidssterkte Nível de ruído motriz garantido Garanterad ljudstyrksnivå Garantert lydnivå Lydniveau garanti Taattu äänenvoiman taso	100 dB (A)
---	------------

Gemessener Schalleistungspegel Measured sound power level Niveau de puissance acoustique mesuré Livello di potenza acustica misurato Nivel medido de potencia acústica Gemeten niveau van geluidssterkte Nível de potencia acústica medido Uppmätt ljudstyrksnivå Mått lydnivå Mått lydniveau Mitattu äänentehotaso	99 dB (A)
---	-----------

Art der Schneidevorrichtung Type of cutting device Genre du dispositif de coupe Tipo di dispositivo di taglio Tipo de dispositivo de corte Soort snijmiddel Tipo de dispositivo cortante Typ av skäranordning Type klipperedskap Bladtype Leikkurityyppi	SICHELMESSER ROTATING BLADE LAME ROTATIVE LAMA ROTANTE CUCHILLA GIRATORIA ROTEREND BLAD LÂMINA ROTATIVA ROTERANDE BLAD ROTARENDE BLAD ROTARENDE BLADE PYÖRIVÄ TERÄ
--	--

Schnittbreite / Width of cut / Largeur de coupe / Ampiezza di taglio / Ancho de corte / Snijbreedte / Extensão do corte / Skärbredd / Snittbredde / Skærebrede / Leikkujäljen leveys	56 cm
--	-------

