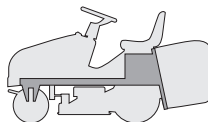
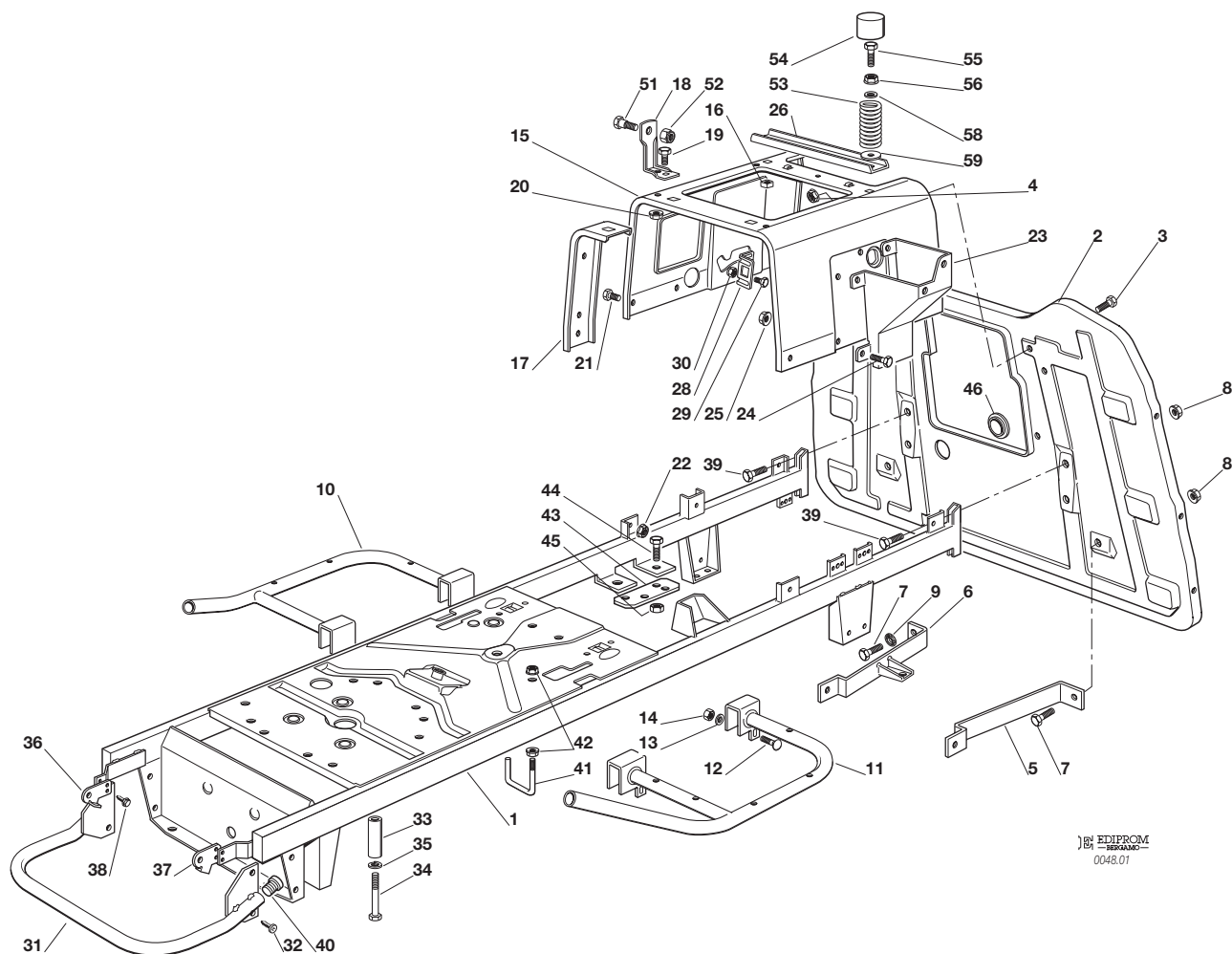


J92**JP92****JT92****JR92***J92 hy.**JP92 hy.**JT92 hy.**JR92 hy.*
TELAIO
CHASSIS
CHASSIS
RAHMENSATZ

2001

001.0

1 / 2


 EDIPROM
 0048.01

N.	CODE	Q.TY	DESCRIZIONE	DESCRIPTION	DESCRIPTION	BESCHREIBUNG
1	82800059/0	1	TELAIO	CHASSIS	CHASSIS	RAHMENSATZ
2	82547021/1	1	PIASTRA	PLATE	PLAQUE	PLATTE
3	12790780/0	4	VITE	SCREW	VIS	SCHRAUBE
4	12292102/0	4	DADO	NUT	ECROU	MUTTER
5	25650046/0	1	RINFORZO SINISTRO	PLATE STIFFENING, LEFT	RENFORCEMENT PLAQUE GAUCHE	LINKE PLATTE-VERSTAERKUNG
6	82650201/0	1	RINFORZO DESTRO	PLATE STIFFENING, RIGHT	RENFORCEMENT PLAQUE, DROIT	RECHTE PLATTE-VERSTAERKUNG
7	12792610/0	4	VITE	SCREW	VIS	SCHRAUBE
8	12293201/0	6	DADO	NUT	ECROU	MUTTER
9	12540260/0	1	ROSETTA	WASHER	RONDELLE	SCHEIBE
10	82800019/0	1	SUPPORTO PEDANA DESTRA	RIGHT FOOTBOARD SUPPORT	MARCHEPIED DROITE SUPPORT	RECHTE FUSSBRETTHALTER
11	82800021/0	1	SUPPORTO PEDANA SINISTRA	LEFT FOOTBOARD SUPPORT	SUPPORT MARCHEPIED GAUCHE	LINKE FUSSBRETTHALTER
12	12815240/0	4	VITE	SCREW	VIS	SCHRAUBE
13	12523040/0	4	ROSETTA	WASHER	RONDELLE	SCHEIBE
14	12154510/0	4	DADO	NUT	ECROU	MUTTER
15	25785119/0	1	SUPPORTO SEDILE	SEAT SUPPORT	SUPPORT SIEGE	SITZHALTER
16	12360420/0	2	DADO	NUT	ECROU	MUTTER
17	25650055/0	2	RINFORZO	PLATE STIFFENING	RENFORCEMENT PLAQUE	PLATTEVERSTAERKUNG
18	25755008/0	2	SQUADRETTA	BRACKET	EQUERRE-SUPPORT	WINKEL
19	12792610/0	2	VITE	SCREW	VIS	SCHRAUBE
20	12293201/0	2	DADO	NUT	ECROU	MUTTER
21	12790780/0	4	VITE	SCREW	VIS	SCHRAUBE
22	12292102/0	4	DADO	NUT	ECROU	MUTTER
23	25785057/0	1	SUPPORTO	SUPPORT	SUPPORT	HALTER
24	12790780/0	4	VITE	SCREW	VIS	SCHRAUBE
25	12292102/0	4	DADO	NUT	ECROU	MUTTER
26	25650056/0	1	RINFORZO	PLATE STIFFENING	RENFORCEMENT PLAQUE	PLATTEVERSTAERKUNG
28	25755016/0	1	SQUADRETTA	BRACKET	EQUERRE-SUPPORT	WINKEL



N.	CODE	Q.TY	DESCRIZIONE	DESCRIPTION	DESCRIPTION	BESCHREIBUNG
29	12789000/0	2	VITE	SCREW	VIS	SCHRAUBE
30	12154330/0	2	DADO	NUT	ECROU	MUTTER
31	82869011/0	1	PROTEZIONE SILENZIATORE	MUFFLER PROTECTION	PROTECTION SILENCIEUX	AUSPUFFSCHUTZ
32	12734995/0	4	VITE	SCREW	VIS	SCHRAUBE
33	25580011/0	2	PIOLO GUIDACINGHIA (mecc.)	BELT GUIDE (mech.)	GUIDE DE COURROIRE (mec.)	RIEMENFÜHRUNG (mech.)
34	12691700/0	2	VITE (mecc.)	SCREW (mech.)	VIS (mec.)	SCHRAUBE (mech.)
35	12583500/0	2	GROWER (mecc.)	GROWER (mech.)	GROWER (mec.)	GROWER (mech.)
36	25547089/0	1	PIASTRINA DESTRA	RIGHT PLATE	PLAQUE DROITE	RECHTE PLATTE
37	25547091/0	1	PIASTRINA SINISTRA	LEFT PLATE	PLAQUE GAUCHE	LINKE PLATTE
38	12731580/0	4	VITE	SCREW	VIS	SCHRAUBE
39	12792610/0	2	VITE	SCREW	VIS	SCHRAUBE
40	18566110/0	2	PUNTALE	CAP	BOUCHON	PFROPFEN
41	25580019/0	1	PIOLO GUIDACINGHIA	BELT GUIDE	GUIDE DE COURROIRE	RIEMENFÜHRUNG
42	12292102/0	2	DADO	NUT	ECROU	MUTTER
43	25547101/0	2	PIASTRINA	PLATE	PLAQUETTE	PLATTE
44	12793102/0	2	VITE	SCREW	VIS	SCHRAUBE
45	12155000/0	2	DADO	NUT	ECROU	MUTTER
46	22110275/0	1	TAPPO	CAP	BOUCHON	TANKVERSCHLUSS
51	22524970/1	2	PERNO	PIN	PIVOT	BOLZEN
52	12155010/0	2	DADO	NUT	ECROU	MUTTER
53	25430205/0	2	MOLLA	SPRING	RESSORT	FEDER
54	25122000/1	2	CUFFIA	HOOD	PROTECTEUR	SCHUTZKASTEN
55	25943001/0	2	VITE	SCREW	VIS	SCHRAUBE
56	12293201/0	2	DADO	NUT	ECROU	MUTTER
58	12521350/0	2	RONDELLA	WASHER	RONDELLE	SCHEIBE
59	12523060/0	2	RONDELLA	WASHER	RONDELLE	SCHEIBE

J92

JP92

JT92

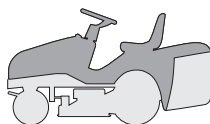
JR92

J92 hy.

JP92 hy.

JT92 hy.

JR92 hy.

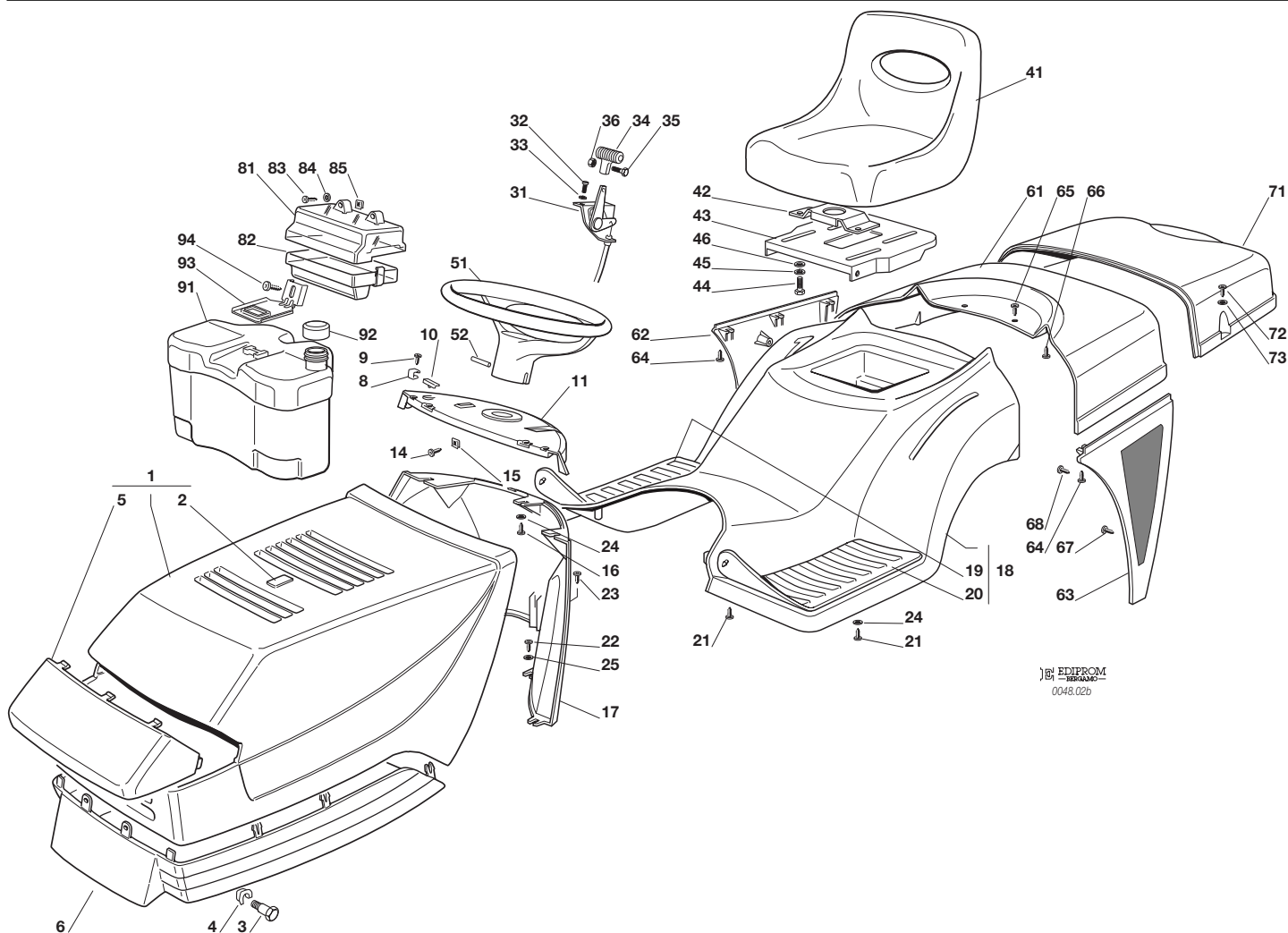


CARROZZERIA
BODY
CARROSSERIE
KARROSSERIE

2001

002b.0

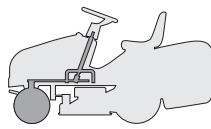
1 / 2



N.	CODE	Q.TY	DESCRIZIONE	DESCRIPTION	DESCRIPTION	BESCHREIBUNG
1	82076802/1	1	COFANO SUPERIORE ROSSO	UPPER ENGINE HOOD RED	CAPOT SUPERIEURE ROUGE	OBERHAUBESATZ ROT
	82076803/0		VERDE	GREEN	VERT	GRÜN
	82076806/0		GIALLO	YELLOW	JAUNE	GELB
	82076808/0		BLU	BLUE	BLEU	BLAU
2	25547016/1	1	PIASTRINA ROSSA	PLATE RED	PLAQUE ROUGE	PLATTE ROT
	25547015/0		VERDE	GREEN	VERT	GRÜN
	25547014/0		GIALLA	YELLOW	JAUNE	GELB
	25547024/0		BLU	BLUE	BLEU	BLAU
3	25510023/1	2	PERNO	PIN	PIVOT	BOLZEN
4	12436050/0	2	PIASTRINA	PLATE	PLAQUE	PLATTE
5	25410858/0	1	MASCHERINA	GRILL	PANNEAU	SCHUTZ
6	25076802/0	1	COFANO INFERIORE	LOWER ENGINE HOOD	CAPOT INFERIEURE	UNTERHAUBESATZ
8	25430215/0	2	MOLLA AGGANCI	COUPLING SPRING	RESSORT ACCROCHAGE	KUPPLUNGSFEDER
9	12728450/0	2	VITE	SCREW	VIS	SCHRAUBE
10	25260000/0	2	GOMMINO	GROMMET	PROTECTION	SCHUTZ
11	25120165/0	1	CRUSCOTTO ROSSO	DASHBOARD RED	TABLEAU COMMANDES ROUGE	KONSOLE ROT
	25120167/0		VERDE	GREEN	VERT	GRÜN
	25120166/0		GIALLO	YELLOW	JAUNE	GELB
	25120168/0		BLU	BLUE	BLEU	BLAU
14	12735110/0	2	VITE	SCREW	VIS	SCHRAUBE
15	12437502/0	2	PIASTRINA	PLATE	PLAQUE	PLATTE
16	12735402/0	3	VITE	SCREW	VIS	SCHRAUBE
17	25785036/2	1	SUPPORTO CRUSCOTTO ROSSO	DASHBOARD SUPPORT RED	SUPPORT TABLEAU COMM. ROUGE	KONSOLEHALTER ROT
	25785038/2		VERDE	GREEN	VERT	GRÜN
	25785037/2		GIALLO	YELLOW	JAUNE	GELB
	25785046/2		BLU	BLUE	BLEU	BLAU



N.	CODE	Q.TY	DESCRIZIONE	DESCRIPTION	DESCRIPTION	BESCHREIBUNG
18	☛	1	COPERTURA RUOTE	WHEELS COVER	COUVRE-ROUES	RADENKAPPE
	82110001/1		ROSSO	RED	ROUGE	ROT
	82110002/1		VERDE	GREEN	VERT	GRÜN
	82110003/1		GIALLO	YELLOW	JAUNE	GELB
	82110004/1		BLU	BLUE	BLEU	BLAU
18	☛	1	COPERTURA RUOTE (hydro)	WHEELS COVER (hydro)	COUVRE-ROUES (hydro)	RADENKAPPE (hydro)
	82110007/1		ROSSO	RED	ROUGE	ROT
	82110008/1		VERDE	GREEN	VERT	GRÜN
	82110009/1		GIALLO	YELLOW	JAUNE	GELB
	82110010/1		BLU	BLUE	BLEU	BLAU
19		1	COPRIPEDANA DESTRA	RIGHT FOOTBOARDCOVER	COUVRE MARCHEPIED DRO.	RECHTE FUSSBRETTDECKEL
20		1	COPRIPEDANA SINISTRA	LEFT FOOTBOARD COVER	COUVRE MARCHEPIED GAU.	LINKE FUSSBRETTDECKEL
21		6	VITE	SCREW	VIS	SCHRAUBE
22		4	VITE	SCREW	VIS	SCHRAUBE
23		1	VITE	SCREW	VIS	SCHRAUBE
24		5	ROSETTA	WASHER	RONDELLE	SCHEIBE
25		4	ROSETTA	WASHER	RONDELLE	SCHEIBE
31		1	ACCELERATORE	ACCELERATOR	ACCELERATEUR	GAS ZUG
32		2	VITE	SCREW	VIS	SCHRAUBE
33		2	GROWER	GROWER	GROWER	GROWER
34		1	MANOPOLINA	HANDLE	POIGNE	GRIFF
35		1	VITE	SCREW	VIS	SCHRAUBE
36		1	DADO	NUT	ECROU	MUTTER
41		1	SEDILE	SEAT	SIEGE	SITZ
42		1	SUPPORTO	SUPPORT	SUPPORT	HALTER
43		1	PIASTRA	PLATE	PLAQUE	PLATTE
44		4	VITE	SCREW	VIS	SCHRAUBE
45		4	GROWER	GROWER	GROWER	GROWER
46		4	RONDELLA	WASHER	RONDELLE	SCHEIBE
51		1	VOLANTE	STEERING WHEEL	VOLANT	LENKRAD
52		1	SPINA	PIN	GOUPILLE	STIFT
61	☛	1	COPERTURA	COVER	COUVRE	KAPPE
	25110179/0		ROSSO	RED	ROUGE	ROT
	25110199/0		VERDE	GREEN	VERT	GRÜN
	25110200/0		GIALLO	YELLOW	JAUNE	GELB
	25110201/0		BLU	BLUE	BLEU	BLAU
	25600033/0	1	PROTEZIONE DESTRA, NERA	RIGHT GUARD, BLACK	PROTECTION DROITE, NOIR	RECHTE SCHUTZE, SCHWARZ
	25600034/0	1	PROTEZIONE SINISTRA, NERA	LEFT GUARD, BLACK	PROTECTION GAUCHE, NOIR	LINKE SCHUTZE, SCHWARZ
64		6	VITE	SCREW	VIS	SCHRAUBE
65		2	VITE	SCREW	VIS	SCHRAUBE
66		2	VITE	SCREW	VIS	SCHRAUBE
67		3	VITE	SCREW	VIS	SCHRAUBE
68		4	VITE	SCREW	VIS	SCHRAUBE
71	☛	1	COPERTURA SACCO	GRASS-CATCHER COVER	COUVRE-BAC	SACKKAPPE
	25110178/1		ROSSO	RED	ROUGE	ROT
	25110196/1		VERDE	GREEN	VERT	GRÜN
	25110197/1		GIALLO	YELLOW	JAUNE	GELB
	25110198/1		BLU	BLUE	BLEU	BLAU
72		4	VITE	SCREW	VIS	SCHRAUBE
73		4	RONDELLA	WASHER	RONDELLE	SCHEIBE
81		1	PROTEZIONE SUPERIORE	UPPER GUARD	PROTECTION SUPERIEUR	OBERSCHUTZ
82		1	PROTEZIONE INFERIORE	LOWER GUARD	PROTECTION INFERIEUR	UNTERSCHUTZ
83		2	VITE	SCREW	VIS	SCHRAUBE
84		2	ROSETTA	WASHER	RONDELLE	SCHEIBE
85		2	PIASTRINA	PLATE	PLAQUE	PLÄTTE
91		1	SERBATOIO	TANK	RESERVOIR	TANK
92		1	TAPPO	CAP	BOUCHON	TANKVERSCHLUSS
93		1	SUPPORTO	SUPPORT	SUPPORT	HALTER
94		1	VITE	SCREW	VIS	SCHRAUBE

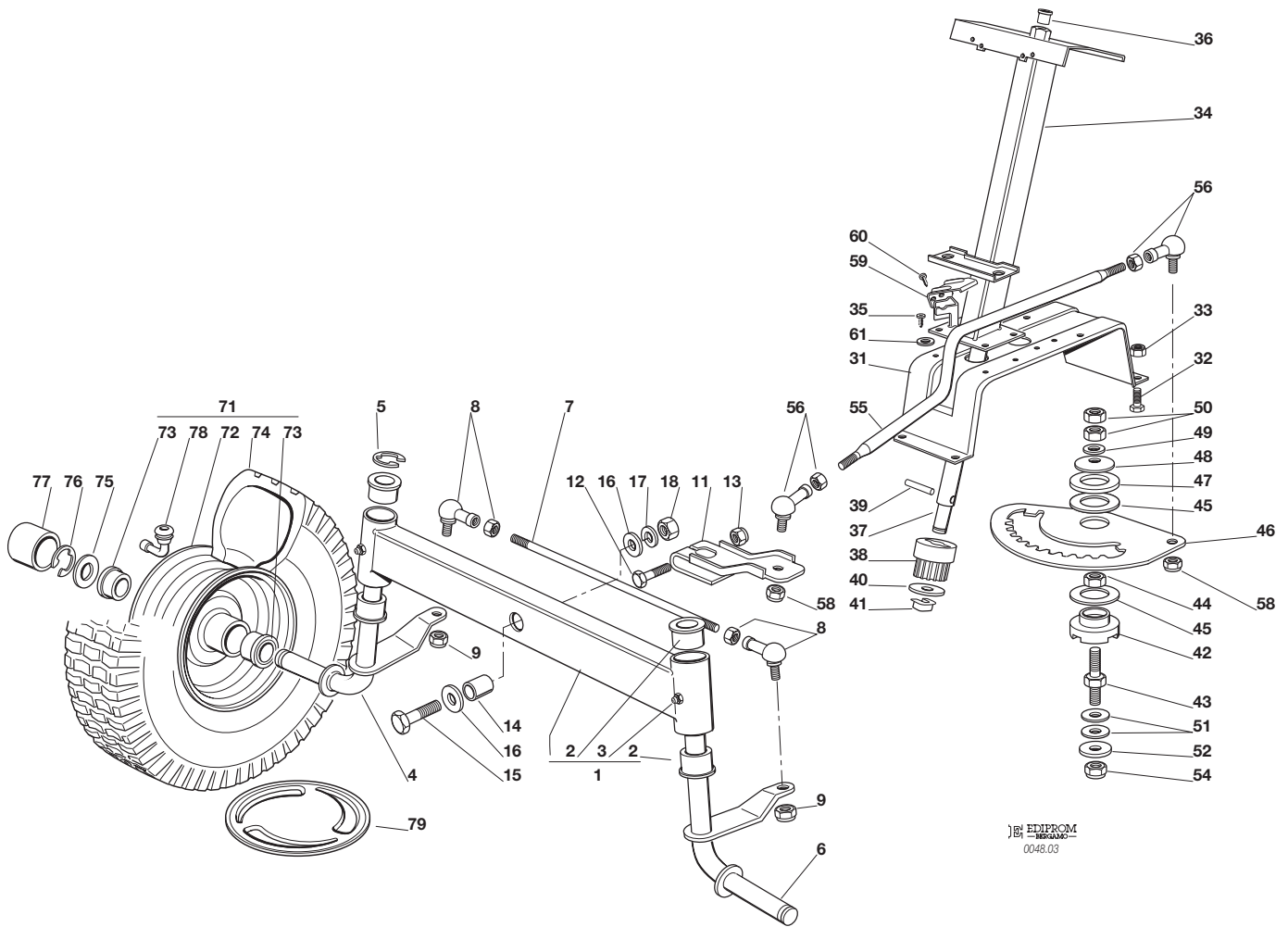
J92**JP92****JT92****JR92****J92 hy.****JP92 hy.****JT92 hy.****JR92 hy.**

STERZO
STEERING
BARRE DE DIRECTION
LENKGETRIEBE

2001

003.0

1 / 2



EDIPROM
0048.03

N.	CODE	Q.TY	DESCRIZIONE	DESCRIPTION	DESCRIPTION	BESCHREIBUNG
1	82034008/0	1	BILANCIERE COMPLETO DI BOCCOLA ED INGRASSATORE	EQUALIZER WITH BUSH AND LUBRICATOR	BALANCIER AVEC DOULIE ET GRAISSEUR	KIPPHEBEL MIT BÜCHSE UND FETTBUCHSE
2	25034002/1	4	BOCCOLA	BUSH	DOUILLE	BÜCHSE
3	12379511/0	2	INGRASSATORE	GREASE DISPENSER	GRAISSEUR	FETTBUCHSE
4	82230355/0	1	FUSELLO DESTRO	RIGHT STUB AXLE	FUSEAU DROITE	RECHTER ACHSSCHENKEL
5	12001000/0	1	ANELLO ELASTICO	SNAP RING	ANNEAU RESSORT	SPRENGRING
6	82230357/0	1	FUSELLO SINISTRO	LEFT STUB AXLE	FUSEAU GAUCHE	LINKER ACHSSCHENKEL
7	25840006/0	1	TIRANTE COLLEG. FUSELLI	TIE ROD	TIRANT	SPANNSTANGE
8	22746600/0	2	SNODO	JOINT	JOINT	GELENK
9	12156602/0	2	DADO	NUT	ECROU	MUTTER
11	25318142/0	1	LEVA	LEVER	LEVIER	HEBEL
12	12692390/0	1	VITE	SCREW	VIS	SCHRAUBE
13	12156602/0	1	DADO	NUT	ECROU	MUTTER
14	25160016/0	1	DISTANZIALE	SPACER	ENTRETOISE	ENTFERNUNGSSTÜCK
15	12692695/0	1	VITE	SCREW	VIS	SCHRAUBE
16	12523100/0	2	RONDELLA	WASHER	RONDELLE	SCHEIBE
17	12587100/0	1	GROWER	GROWER	GROWER	GROWER
18	12295300/0	1	DADO	NUT	ECROU	MUTTER
31	25785101/0	1	SUPPORTO	SUPPORT	SUPPORT	HALTER
32	12792611/0	4	VITE	SCREW	VIS	SCHRAUBE
33	12155000/0	4	DADO	NUT	ECROU	MUTTER
34	82785101/0	1	SUPPORTO	SUPPORT	SUPPORT	HALTER
35	12735120/0	4	VITE	SCREW	VIS	SCHRAUBE
36	25038003/0	1	BOCCOLA	BUSH	DOUILLE	BÜCHSE
37	25520003/0	1	PIANTONE	STEERING COLUMN	TUBE DE DIRECTION	LENKUNGSÄULE
38	25570000/0	1	PIGNONE	PINION	PIGNON	RITZEL
39	12622650/0	1	SPINA	PIN	GOUPILLE	STIFT
40	12521370/0	1	RONDELLA	WASHER	RONDELLE	SCHEIBE



N.	CODE	Q.TY	DESCRIZIONE	DESCRIPTION	DESCRIPTION	BESCHREIBUNG
41	12436030/0	1	PIASTRINA	PLATE	PLAQUETTE	PLATTECHEN
42	25040617/0	1	BUSSOLA	BUSH	DOUILLE	BÜCHSE
43	25510065/0	1	PERNO	PIN	PIVOT	BOLZEN
44	12295200/0	1	DADO	NUT	ECROU	MUTTER
45	25670012/0	2	RONDELLA	WASHER	RONDELLE	SCHEIBE
46	25735507/0	1	SETTORE	STEERING SHAFT	ARBRE DIRECTION	LENKUNGSWELLE
47	25670014/0	1	RONDELLA	WASHER	RONDELLE	SCHEIBE
48	22160400/0	1	DISCO ELASTICO	ELASTIC WASHER	DISQUE ELASTIQUE	FEDERSCHEIBE
49	12521360/0	1	ROSETTA	WASHER	RONDELLE	SCHEIBE
50	12295200/0	2	DADO	NUT	ECROU	MUTTER
51	22672150/0	2	RONDELLA	WASHER	RONDELLE	SCHEIBE
52	12523080/0	1	RONDELLA	WASHER	RONDELLE	SCHEIBE
54	12156602/0	1	DADO	NUT	ECROU	MUTTER
55	25033025/0	1	ASTA COM. STERZO	STEERING ROD	LEVIER BARRE DE	LENKUNGSSTAB
				DIRECTION		
56	22746600/0	2	SNODO	JOINT	JOINT	GELENK
58	12156602/0	2	DADO	NUT	ECROU	MUTTER
59	25600036/0	1	PROTEZIONE MICRO (hydro)	MICRO PROTECTION (hydro)	PROTECTION MICRO (hydro)	SCHUTZ (hydro)
60	12727810/0	2	VITE (hydro)	SCREW (hydro)	VIS (hydro)	SCHRAUBE (hydro)
61	12521330/0	2	RONDELLA (J - JP)	WASHER (J - JP)	RONDELLE (J - JP)	SCHEIBE (J - JP)
71	☛	2	RUOTA ANTERIORE	FRONT WHEEL	ROUE AVANT	VORDERRAD
	82680002/1		TURF SAVER CARLISLE	TURF SAVER CARLISLE	TURF SAVER CARLISLE	TURF SAVER CARLISLE
	82680005/1		DELI TIRE	DELI TIRE	DELI TIRE	DELI TIRE
72	82000590/0	2	CERCHIO RUOTA	RIMM	BANDAGE ROUE	VORDERRAD FELGER
73	25122200/1	4	CUSCINETTO	BEARING	ROULEMENT	LAGER
74	☛	2	PNEUMATICO	SHOE	PNEU	REIFEN
	25590000/0		TURF SAVER CARLISLE	TURF SAVER CARLISLE	TURF SAVER CARLISLE	TURF SAVER CARLISLE
	25590002/0		DELI TIRE	DELI TIRE	DELI TIRE	DELI TIRE
75	25670005/1	2	RONDELLA	WASHER	RONDELLE	SCHEIBE
76	12001000/0	2	ANELLO ELASTICO	SNAP RING	ANNEAU RESSORT	SPRENGRING
77	22110230/0	2	COPRIMOZZO	HUB COVER	COUVRE MOYEU	NABEDECKEL
78	25950002/0	2	VALVOLA	VALVE	SOUPAPE	VENTIL
79	82110252/0	2	COPRIMOZZO	HUB COVER	COUVRE MOYEU	NABEDECKEL

J92

JP92

JT92

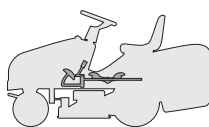
JR92

J92 hy.

JP92 hy.

JT92 hy.

JR92 hy.

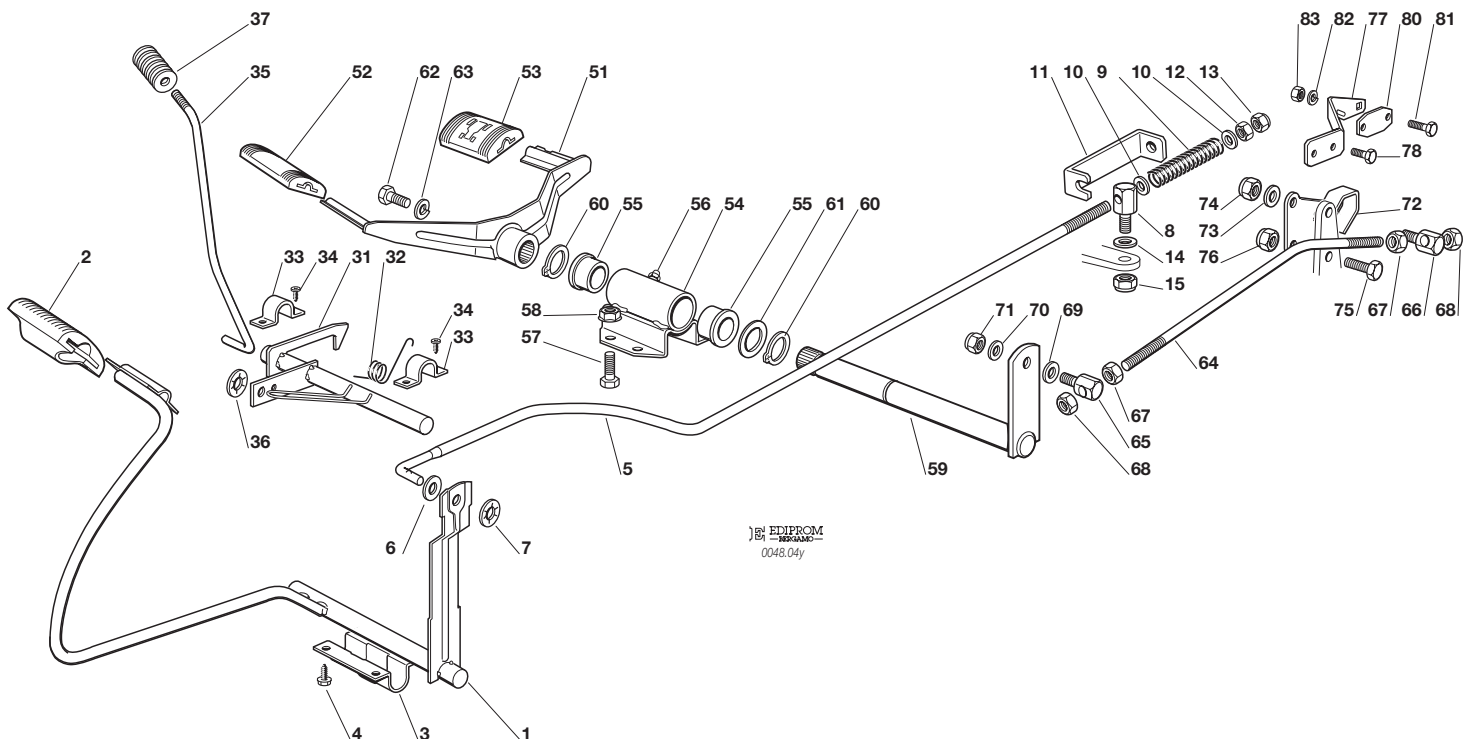


COMANDO TRASMISSIONE E FRENO
DRIVE AND BRAKE CONTROLS
COMMANDE TRANSMISSION ET FREIN
GETRIEBE UND BREMSE ANTRIEB

2001

004Y.0

1 / 2

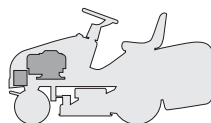


EDIPROM
0048.04y

N.	CODE	Q.TY	DESCRIZIONE	DESCRIPTION	DESCRIPTION	BESCHREIBUNG
1	82500017/0	1	PEDALE	PEDAL	PEDAL	PEDAL
2	25110267/0	1	COPRISTAFFA	CLAMP COVER	COUVRE ETRIER	BRIDEDECKEL
3	25547039/0	1	PIASTRINA	PLATE	PLAQUE	PLATTE
4	12731601/0	4	VITE	SCREW	VIS	SCHRAUBE
5	25033041/0	1	ASTA	ROD	BARRE	STANGE
6	12521350/0	1	ROSETTA	WASHER	RONDELLE	SCHEIBE
7	12604899/0	1	FISSATORE A CORONA	CROWN FASTENER	FIXATEUR A COURONNE	KRONESCHEIBE
8	25510067/0	1	PERNO	PIN	PIVOT	BOLZEN
9	25430236/0	1	MOLLA	SPRING	RESSORT	FEDER
10	12521360/0	2	ROSETTA	WASHER	RONDELLE	SCHEIBE
11	25774275/0	1	STAFFA	CLAMP	ETRIER	BRIDE
12	12295200/0	1	DADO	NUT	ECROU	MUTTER
13	12156602/0	1	DADO	NUT	ECROU	MUTTER
14	12521350/0	1	RONDELLA	WASHER	RONDELLE	SCHEIBE
15	12155000/0	1	DADO	NUT	ECROU	MUTTER
31	82000361/0	1	ASSE AZIONAM. MICRO	AXLE	AXE	ACHSE
32	25430234/0	1	MOLLA	SPRING	RESSORT	FEDER
33	25547049/0	2	PIASTRINA	PLATE	PLAQUE	PLATTE
34	12731601/0	4	VITE	SCREW	VIS	SCHRAUBE
35	25033021/0	1	ASTA	ROD	BARRE	STANGE
36	12604898/0	1	FISSATORE A CORONA	CROWN FASTENER	FIXATEUR A COURONNE	KRONESCHEIBE
37	27395050/1	1	MANOPOLA	KNOB	POIGNEE	KNOPF
51	82500008/0	1	PEDALE AVANZAMENTO	DRIVE PEDAL	PEDALE TRASMISSION	GETRIEBEPEDAL
52	25110265/0	1	COPRISTAFFA ANTERIORE	CLAMP COVER FRONT	COUVRE ETRIER AVANT	BRIDEDECKEL VORDE
33	25110266/0	1	COPRISTAFFA POSTERIORE	CLAMP COVER REAR	COUVRE ETRIER ARRIERE	BRIDEDECKEL HINTER
54	82785079/0	1	SUPPORTO	SUPPORT	SUPPORT	HALTER
55	25034002/1	2	BRONZINA	BUSH	DOUILLE	BÜCHSE



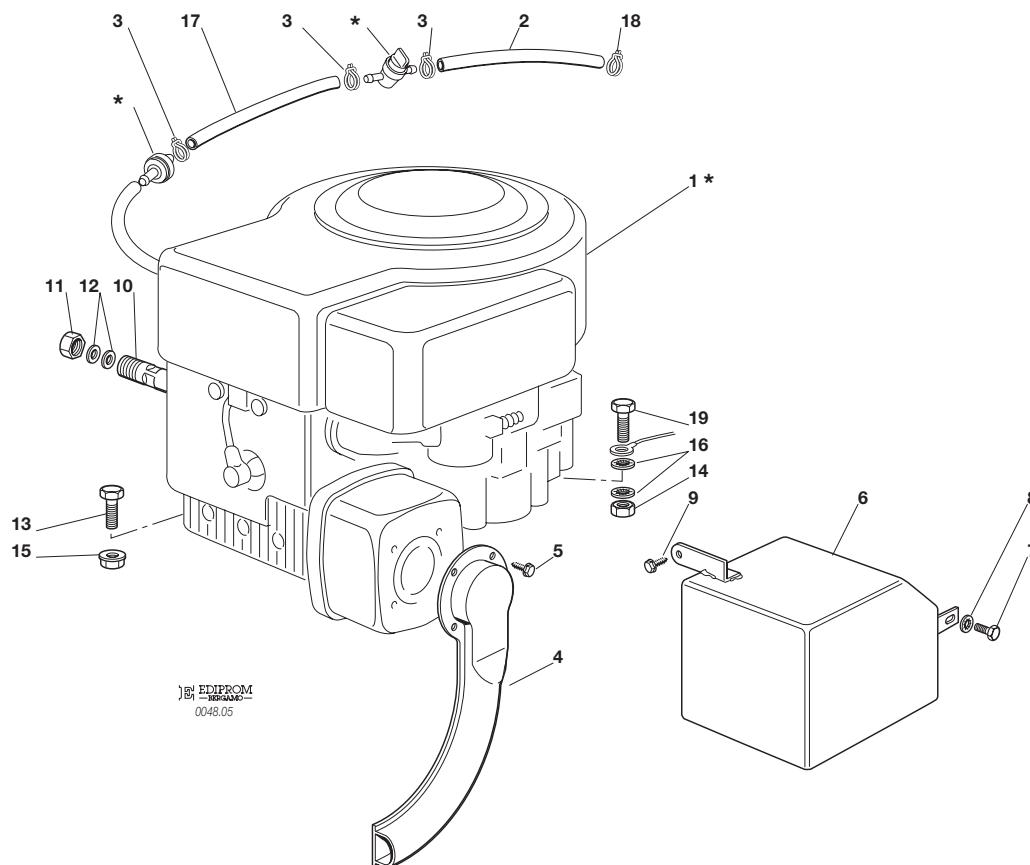
N.	CODE	Q.TY	DESCRIZIONE	DESCRIPTION	DESCRIPTION	BESCHREIBUNG
56	12379511/0	1	INGRASSATORE	GREASE DISPENSER	GRAISSEUR	FETTBUCHSE
57	12791011/0	2	VITE	SCREW	VIS	SCHRAUBE
58	12292102/0	2	DADO	NUT	ECROU	MUTTER
59	82318183/0	1	LEVA	GEARSHIFT	LEVIER	HEBEL
60	12609260/0	2	SEEGER	SEEGER	SEEGER	SEEGER
61	22672153/0	1	RONDELLA	WASHER	RONDELLE	SCHEIBE
62	12792612/0	1	VITE	SCREW	VIS	SCHRAUBE
63	12583501/0	1	GROWER	GROWER	GROWER	GROWER
64	25033042/0	1	ASTA	ROD	BARRE	STANGE
65	25510054/0	1	PERNO	PIN	PIVOT	BOLZEN
66	25510066/0	1	PERNO	PIN	PIVOT	BOLZEN
67	12293200/0	2	DADO	NUT	ECROU	MUTTER
68	12155000/0	2	DADO	NUT	ECROU	MUTTER
69	12521360/0	1	RONDELLA	WASHER	RONDELLE	SCHEIBE
70	12521340/0	1	RONDELLA	WASHER	RONDELLE	SCHEIBE
71	12154510/0	1	DADO	NUT	ECROU	MUTTER
72	82774231/0	1	CAMMA	CAM	CAME	KAMM
73	12523040/0	1	RONDELLA	WASHER	RONDELLE	SCHEIBE
74	12154510/0	1	DADO	NUT	ECROU	MUTTER
75	12791213/0	1	VITE	SCREW	VIS	SCHRAUBE
76	12154510/0	1	DADO	NUT	ECROU	MUTTER
77	25774289/0	1	STAFFA	CLAMP	ETRIER	BRIDE
78	12735110/0	2	VITE	SCREW	VIS	SCHRAUBE
80	27546019/0	1	PIASTRINA	PLATE	PLAQUETTE	PLATTE
81	12735597/0	2	VITE	SCREW	VIS	SCHRAUBE
82	12581100/0	2	GROWER	GROWER	GROWER	GROWER
83	12290791/0	2	DADO	NUT	ECROU	MUTTER

J92**JP92****JT92****JR92****J92 hy.****JP92 hy.****JT92 hy.****JR92 hy.**
MOTORE
ENGINE
MOTEUR
MOTOR
12 - 12,5 - 13,5 HP B&S

2001

005.0

1 / 1


 EDIPROM
 0048.05

N.	CODE	Q.TY	DESCRIZIONE	DESCRIPTION	DESCRIPTION	BESCHREIBUNG
1*	—	1	MOTORE	ENGINE	MOTEUR	MOTOR
2	25869016/0	1	TUBO COLLEGAMENTO	CONNECTING TUBE	TUBE DE CONNEXION	VERBINDUNGSROHR
3	18375051/1	3	FASCETTA	FAIR LED	FIXATION DE CABLE	KABELBEFESTIGUNG
4	82640001/1	1	RACCORDO SCARICO	EXHAUST CONNECTION	CONNEXION ECHAPPEMENT	AUSPUFFANSCHLUSS
5	12735106/0	4	VITE	SCREW	VIS	SCHRAUBE
6	82598001/0	1	PROTEZIONE SILENZIATORE	MUFFLER PROTECTION	PROTECTION SILENCIEUX	AUSPUFFSCHUTZ
7	12735510/0	1	VITE	SCREW	VIS	SCHRAUBE
8	12540260/0	1	RONDELLA	WASHER	RONDELLE	SCHEIBE
9	12735104/0	1	VITE	SCREW	VIS	SCHRAUBE
10	25598050/0	1	PROLUNGA SCARICO OLIO	OIL DISCHARGE EXTENSION	EXTENSION RALLONGE DE DECH. HUILE	ÖL ENTLERUNGSVERLÄEN- GERUNG
11	18737849/0	1	TAPPO PER PROLUNGA	OIL CAP	BOUCHON HUILE	OELVERSCHLUSS
12	18401001/0	2	GUARNIZIONE	OIL SEAL	GARNITURE	DICHTUNG
13	12691110/0	3	VITE	SCREW	VIS	SCHRAUBE
14	12293200/0	1	DADO	NUT	ECROU	MUTTER
15	12293201/0	3	DADO	NUT	ECROU	MUTTER
16	12540260/0	2	RONDELLA	WASHER	RONDELLE	SCHEIBE
17	25869006/0	1	TUBO COLLEGAMENTO	CONNECTING TUBE	TUBE DE CONNEXION	VERBINDUNGSROHR
18	18375053/0	1	FASCETTA	FAIR LED	FIXATION DE CABLE	KABELBEFESTIGUNG
19	12691115/0	1	VITE	SCREW	VIS	SCHRAUBE

PER LA SOSTITUZIONE DELLE PARTI CONTRASSEGNALE CON «*» RIVOLGERSI AL SERVIZIO ASSISTENZA DEL COSTRUTTORE DEL MOTORE.
 TO REPLACE THE PARTS MARKED «*» SEEK ASSISTANCE FROM THE ENGINE MANUFACTURER'S AFTER SALES SERVICE.
 POUR LE REMPLACEMENT DES PIÈCES MARQUÉES AVEC «*» S'ADRESSER AU SERVICE APRÈS VENTES DU CONSTRUCTEUR DU MOTEUR.
 ZUM AUSTAUSCH DER MIT «*» GEKENNZEICHNETEN TEILE, WENDEN SIE SICH AN DEN KUNDENDIENST DES HERSTELLERS DES MOTOR.

J92

JP92

JT92

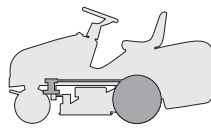
JR92

J92 hy.

JP92 hy.

JT92 hy.

JR92 hy.

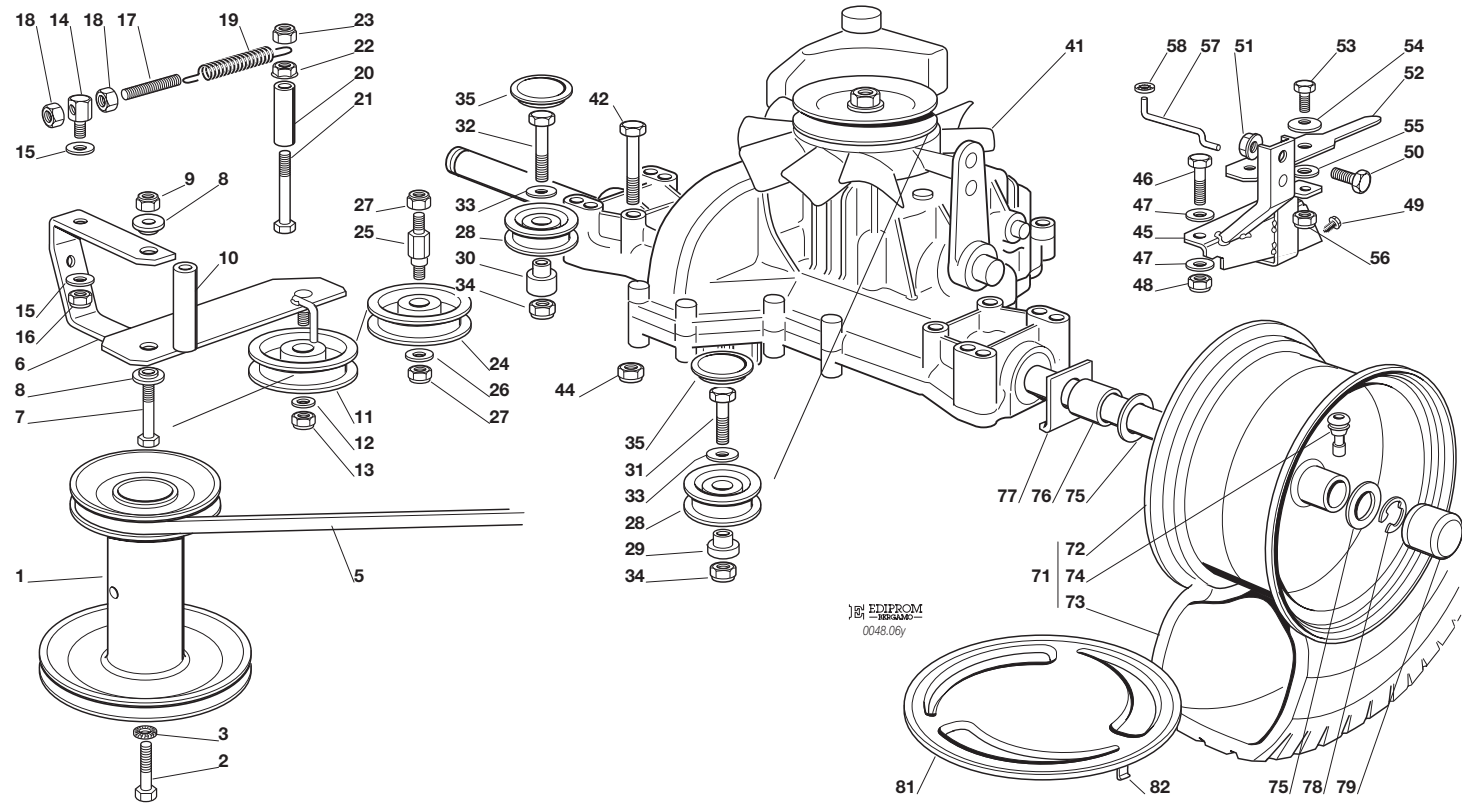


TRASMISSIONE
TRANSMISSION
TRANSMISSION
GETRIEBE

2001

006Y.0

1 / 2



N.	CODE	Q.TY	DESCRIZIONE	DESCRIPTION	DESCRIPTION	BESCHREIBUNG
1	25601548/1	1	PULEGGIA	PULLEY	POULIE	RIEMENSCHLEIBE
2	12737310/0	1	VITE	SCREW	VIS	SCHRAUBE
3	12543000/0	1	ROSETTA	WASHER	RONDELLE	SCHLEIBE
5	35061980/0	1	CINGHIA	BELT	COURROIE	RIEMEN
6	82318133/0	1	LEVA	LEVER	LEVIER	HEBEL
7	12692080/0	1	VITE	SCREW	VIS	SCHRAUBE
8	25038002/1	2	BOCCOLA	BUSH	DOUILLE	BÜCHSE
9	12155000/0	1	DADO	NUT	ECROU	MUTTER
10	25160017/0	1	DISTANZIALE	SPACER	ENTRETOISE	ENTFERNUNGSSTÜCK
11	25601554/0	1	PULEGGIA	PULLEY	POULIE	RIEMENSCHLEIBE
12	12523060/0	1	RONDELLA	WASHER	RONDELLE	SCHLEIBE
13	12155000/0	1	DADO	NUT	ECROU	MUTTER
14	25510040/1	1	PERNO	PIN	PIVOT	BOLZEN
15	25670011/0	2	RONDELLA	WASHER	RONDELLE	SCHLEIBE
16	12155000/0	1	DADO	NUT	ECROU	MUTTER
17	25840005/0	1	TIRANTE	TIE ROD	TIRANT	SPANNSTANGE
18	12293200/0	2	DADO	NUT	ECROU	MUTTER
19	25430219/0	1	MOLLA	SPRING	RESSORT	FEDER
20	25160008/0	1	DISTANZIALE	SPACER	ENTRETOISE	ENTFERNUNGSSTÜCK
21	12692050/0	1	VITE	SCREW	VIS	SCHRAUBE
22	12293201/0	1	DADO	NUT	ECROU	MUTTER
23	12155000/0	1	DADO	NUT	ECROU	MUTTER
24	25601555/0	1	PULEGGIA	PULLEY	POULIE	RIEMENSCHLEIBE
25	25510036/0	1	PERNO	PIN	PIVOT	BOLZEN
26	12523060/0	1	RONDELLA	WASHER	RONDELLE	SCHLEIBE
27	12155000/0	2	DADO	NUT	ECROU	MUTTER
28	25601558/2	2	PULEGGIA	PULLEY	POULIE	RIEMENSCHLEIBE
29	25160030/0	1	DISTANZIALE SINISTRO	LEFT SPACER	ENTRETOISE GAUCHE	LINKER ENTFERNUNGSSTÜCK
30	25160024/1	1	DISTANZIALE DESTRO	RIGHT SPACER	ENTRETOISE DROITE	RECHTER ENTFERNUNGSSTÜCK

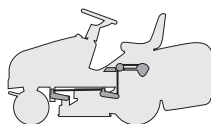


N.	CODE	Q.TY	DESCRIZIONE	DESCRIPTION	DESCRIPTION	BESCHREIBUNG
31	12691115/0	1	VITE SINISTRA	LEFT SCREW	VIS GAUCHE	LINKE SCHRAUBE
32	12691400/0	1	VITE DESTRA	RIGHT SCREW	VIS DROITE	RECHTE SCHRAUBE
33	12523060/0	2	RONDELLA	WASHER	RONDELLE	SCHEIBE
34	12155000/0	2	DADO	NUT	ECROU	MUTTER
35	25109521/0	2	COPERCHIO	COVER	COUVERCLE	DECKEL
41*	18400960/0	1	ASSE POSTERIORE	REAR AXLE	AXE ARRIERE	HINTERACHSE
42	12691800/0	4	VITE	SCREW	VIS	SCHRAUBE
44	12154210/0	4	DADO	NUT	ECROU	MUTTER
45	82785117/0	1	SUPPORTO	SUPPORT	SUPPORT	HALTER
46	12691200/0	1	VITE	SCREW	VIS	SCHRAUBE
47	12521350/0	2	RONDELLA	WASHER	RONDELLE	SCHEIBE
48	12155000/0	1	DADO	NUT	ECROU	MUTTER
49	12735120/0	2	VITE	SCREW	VIS	SCHRAUBE
50	12792611/0	1	VITE	SCREW	VIS	SCHRAUBE
51	12293201/0	1	DADO	NUT	ECROU	MUTTER
52	25318157/0	1	LEVA	LEVER	LEVIER	HEBEL
53	12793102/0	1	VITE	SCREW	VIS	SCHRAUBE
54	12369500/0	1	DISCO ELASTICO	ELASTIC WASHER	DISQUE ELASTIQUE	FEDERSCHEIBE
55	25670011/0	1	RONDELLA	WASHER	RONDELLE	SCHEIBE
56	12155000/0	1	DADO	NUT	ECROU	MUTTER
57	25033033/0	1	ASTA	ROD	BARRE	STANGE
58	12604896/0	1	FISSATORE A CORONA	CROWN FASTENER	FIXATEUR A COURONNE	KRONESCHEIBE
71	☛ 82680003/0 82680006/0	2	RUOTA POSTERIORE TURF SAVER CARLISLE DELI TIRE	REAR WHEEL TURF SAVER CARLISLE DELI TIRE	ROUE ARRIERE TURF SAVER CARLISLE DELI TIRE	HINTERRAD TURF SAVER CARLISLE DELI TIRE
72	82000592/0	2	CERCHIO RUOTA	RIMM	BANDAGE ROUE	HINTERRAD FELGER
73	☛ 25590001/0 25590003/0	2	PNEUMATICO TURF SAVER CARLISLE DELI TIRE	SHOE TURF SAVER CARLISLE DELI TIRE	PNEU TURF SAVER CARLISLE DELI TIRE	REIFEN TURF SAVER CARLISLE DELI TIRE
74	25950000/0	2	VALVOLA	VALVE	SOUPAPE	VENTIL
75	25670005/1	4	RONDELLA	WASHER	RONDELLE	SCHEIBE
76	25160031/0	2	DISTANZIALE	SPACER	ENTRETOISE	ENTFERNUNGSSTÜCK
77	25670017/0	2	RONDELLA	WASHER	RONDELLE	SCHEIBE
78	12001010/0	2	ANELLO ELASTICO	SNAP RING	ANNEAU RESSORT	SPRENGRING
79	22110230/0	2	COPRIMOZZO	HUB COVER	COUVRE MOYEU	NABEDECKEL
81	82110253/0	2	COPRIRUOTA POST.	REAR WHEEL DECK	COUVRE ROUE POST.	HINTERRADDECKEL
82	25430209/0	8	MOLLA AGGANCI	SPRING	RESSORT	FEDER

PER LA SOSTITUZIONE IN GARANZIA DELLE PARTI CONTRASSEGNALE CON «*» RIVOLGERSI AL SERVIZIO ASSISTENZA DEL COSTRUTTORE (TECUMSEH).

TO REPLACE UNDER GUARANTEE THE PARTS MARKED «*» SEEK ASSISTANCE FROM MANUFACTURER'S AFTER SALES SERVICE (TECUMSEH).
 POUR LE REMPLACEMENT, SOUS GARANTIE DES PIÈCES MARQUÉES AVEC «*» S'ADRESSER AU SERVICE APRÈS VENTES DU CONSTRUCTEUR (TECUMSEH).

ZUM AUSTAUSCH DER MIT «*» GEKENNZEICHNETEN TEILE IM RAHMEN DER GARANTIE, WENDEN SIE SICH AN DEN KUNDENDIENST DES HERSTELLERS (TECUMSEH).

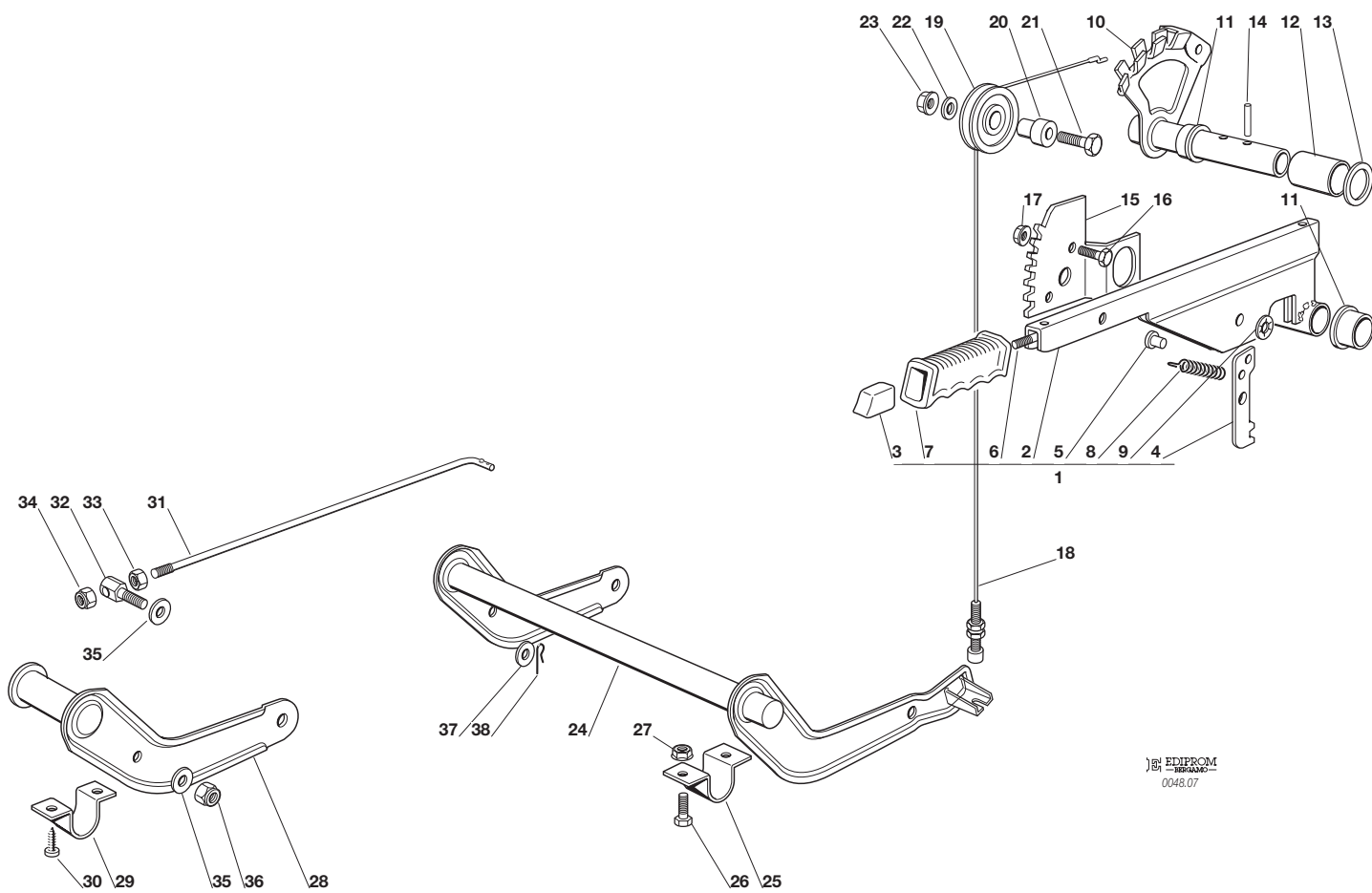
J92**JP92****JT92****JR92****J92 hy.****JP92 hy.****JT92 hy.****JR92 hy.**

SOLLEVAMENTO PIATTO DI TAGLIO
CUTTING PLATE LIFTING
SOULEVEMENT PLATEAU DE COUPE
SCHNEIDWERKZEUG AUFHEBESATZ

2001

007.0

1 / 2



EDIPROM
0048.07

N.	CODE	Q.TY	DESCRIZIONE	DESCRIPTION	DESCRIPTION	BESCHREIBUNG
1	82300002/1	1	ASSIEME LEVA (2÷9)	LEVER ASS.Y (2÷9)	ENS. LEVIER (2÷9)	SCHNEIDWERKZEUG AUFHEBENHEBEL (2÷9)
2	82318139/0	1	LEVA	LEVER	LEVIER	HEBEL
3	25605000/1	1	PULSANTE	BUTTON	POUSSOIR	DRUCKKNOPF
4	25470901/0	1	NASELLO	DOG	DECLIC	NASE
5	25510011/0	1	PERNO	PIN	PIVOT	BOLZEN
6	25033002/0	1	ASTA	ROD	TIGE	STAB
7	25394504/1	1	MANOPOLA	KNOB	POIGNEE	GRIFF
8	25430208/0	1	MOLLA	SPRING	RESSORT	FEDER
9	12604899/0	1	RONDELLA	WASHER	RONDELLE	SCHEIBE
10	82000403/0	1	ASSE	AXLE	AXE	ACHSE
11	22034523/0	2	BOCCOLA	BUSH	DOUILLE	BÜCHSE
12	25160013/0	1	DISTANZIALE	SPACER	ENTRETOISE	ENTFERNUNGSSTÜCK
13	12521410/0	1	RONDELLA	WASHER	RONDELLE	SCHEIBE
14	12620206/0	2	SPINA	PIN	GOUPILLE	STIFT
15	25735506/1	1	SETTORE	SECTOR	SECTEUR	SEKTOR
16	12792611/0	2	VITE	SCREW	VIS	SCHRAUBE
17	12293201/0	2	DADO	NUT	ECROU	MUTTER
18	82004603/0	1	FILO	WIRE	FIL	KABEL
19	25601557/0	1	PULEGGIA	PULLEY	POULIE	RIEMENSCHLEIBE
20	25510032/0	1	PERNO	PIN	PIVOT	BOLZEN
21	12691400/0	1	VITE	SCREW	VIS	SCHRAUBE
22	12523060/0	1	RONDELLA	WASHER	RONDELLE	SCHEIBE
23	12293201/0	1	DADO	NUT	ECROU	MUTTER
24	82000381/1	1	ASSE SOLLEVAMENTO	AXLE	AXE	ACHSE
25	25547037/0	2	PIASTRINA	PLATE	PLAQUE	PLATTE
26	12791011/0	4	VITE	SCREW	VIS	SCHRAUBE
27	12292102/0	4	DADO	NUT	ECROU	MUTTER
28	82318137/0	1	LEVA	LEVER	LEVIER	HEBEL
29	25547041/0	2	PIASTRINA	PLATE	PLAQUE	PLATTE
30	12731601/0	4	VITE	SCREW	VIS	SCHRAUBE

**J92 • JP92 • JT92 • JR92 • J92 hy. • JP92 hy. • JT92 hy. • JR92 hy.**

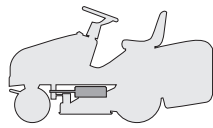
2001

007.0

2 / 2

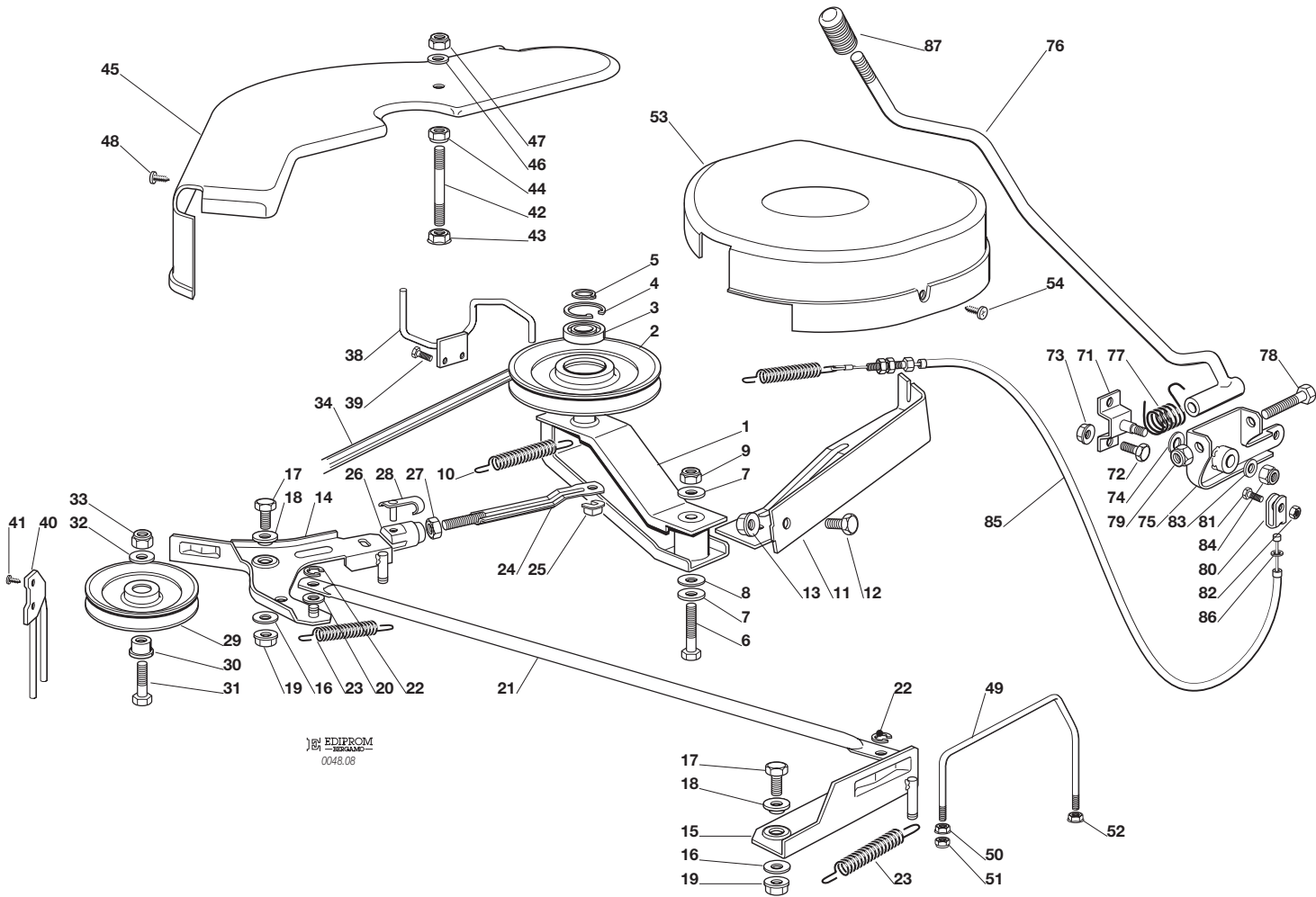
N.	CODE	Q.TY	DESCRIZIONE	DESCRIPTION	DESCRIPTION	BESCHREIBUNG
31	25033013/0	1	ASTA	ROD	TIGE	STAB
32	25510040/1	1	PERNO	PIN	PIVOT	BOLZEN
33	12293200/0	1	DADO	NUT	ECROU	MUTTER
34	12155000/0	1	DADO	NUT	ECROU	MUTTER
35	25670011/0	2	RONDELLA	WASHER	RONDELLE	SCHEIBE
36	12155000/0	1	DADO	NUT	ECROU	MUTTER
37	12521350/0	1	RONDELLA	WASHER	RONDELLE	SCHEIBE
38	24487997/0	1	COPPIGLIA	COTTER PIN	GOUPILLE	SPLIT

J92	JP92	JT92	JR92
<i>J92 hy.</i>	<i>JP92 hy.</i>	<i>JT92 hy.</i>	<i>JR92 hy.</i>



PIATTO DI TAGLIO (1)
CUTTING PLATE (1)
PLATEAU DE COUPE (1)
SCHNEIDWERKZEUG (1)

2001
008.0
1 / 2



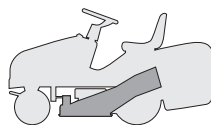
EDIPROM
 0048.08

N.	CODE	Q.TY	DESCRIZIONE	DESCRIPTION	DESCRIPTION	BESCHREIBUNG
----	------	------	-------------	-------------	-------------	--------------

1	82318141/0	1	LEVA	LEVER	LEVIER	HEBEL
2	25601564/0	1	PULEGGIA	PULLEY	POULIE	RIEMENSCHLEIBE
3	19216033/1	1	CUSCINETTO	BEARING	ROULEMENT	KUGELLAGER
4	12610800/0	1	ANELLO ELASTICO	SNAP RING	ANNEAU RESSORT	SPRENGRING
5	12609200/0	1	ANELLO ELASTICO	SNAP RING	ANNEAU RESSORT	SPRENGRING
6	12691700/0	1	VITE	SCREW	VIS	SCHRAUBE
7	12523070/0	2	RONDELLA	WASHER	RONDELLE	SCHLEIBE
8	22672152/0	1	RONDELLA	WASHER	RONDELLE	SCHLEIBE
9	12155000/0	1	DADO	NUT	ECROU	MUTTER
10	22450500/0	1	MOLLA	SPRING	RESSORT	FEDER
11	82774215/1	1	STAFFA	CLAMP	BRIDE	BRIDE
12	12792610/0	1	VITE	SCREW	VIS	SCHRAUBE
13	12293201/0	1	DADO	NUT	ECROU	MUTTER
14	82318143/1	1	LEVA DESTRA	RIGHT LEVER	LEVIER DROITE	RECHTE HEBEL
15	82318148/0	1	LEVA SINISTRA	LEFT LEVER	LEVIER GAUCHE	LINKE HEBEL
16	22672152/0	2	RONDELLA	WASHER	RONDELLE	SCHLEIBE
17	12792611/0	2	VITE	SCREW	VIS	SCHRAUBE
18	22041980/0	2	BUSSOLA	BUSH	DOUILLE	BÜCHSE
19	12293201/0	2	DADO	NUT	ECROU	MUTTER
20	25670011/0	1	RONDELLA	WASHER	RONDELLE	SCHLEIBE
21	25033024/0	1	ASTA	ROD	TIGE	TAB
22	12436050/0	2	PIASTRINA	PLATE	PLAQUE	PLATTE
23	25430229/1	2	MOLLA	SPRING	RESSORT	FEDER
24	82000470/0	1	ASTA	ROD	TIGE	STAB
25	12436050/0	1	PIASTRINA	PLATE	PLAQUE	PLATTE
26	18399000/0	1	FORCELLA	FORK	FOURCHE	GABEL
27	12292100/0	1	DADO	NUT	ECROU	MUTTER
28	18210200/0	1	CLIP	CLIP	CLIP	SPERRBOLZEN
29	25601555/0	1	PULEGGIA	PULLEY	POULIE	RIEMENSCHLEIBE
30	25160007/0	1	DISTANZIALE	SPACER	ENTRETOISE	ENTFERNUNGSSTÜCK
31	12691100/0	1	VITE	SCREW	VIS	SCHRAUBE



N.	CODE	Q.TY	DESCRIZIONE	DESCRIPTION	DESCRIPTION	BESCHREIBUNG
32	12523060/0	1	RONDELLA	WASHER	RONDELLE	SCHEIBE
33	12155000/0	1	DADO	NUT	ECROU	MUTTER
34	35065700/0	1	CINGHIA	BELT	COURROIRE	KEILRIEMEN
38	25270301/0	1	GUIDACINGHIA	BELT GUIDE	GUIDE DE COURROIRE	RIEMENFÜHRUNG
39	12729601/0	2	VITE	SCREW	VIS	SCHRAUBE
40	25270304/1	1	GUIDACINGHIA	BELT GUIDE	GUIDE DE COURROIRE	RIEMENFÜHRUNG
41	12731601/0	2	VITE	SCREW	VIS	SCHRAUBE
42	25580007/0	1	PRIGIONIERO	STUD SCREW	PRISONNIER	STIFTSCHIEBE
43	12293201/0	1	DADO	NUT	ECROU	MUTTER
44	12155000/0	1	DADO	NUT	ECROU	MUTTER
45	25060102/0	1	CARTER	CASE	CARTER	BLECH
46	12523060/0	1	RONDELLA	WASHER	RONDELLE	SCHEIBE
47	12155000/0	1	DADO	NUT	ECROU	MUTTER
48	12735110/0	2	VITE	SCREW	VIS	SCHRAUBE
49	25270305/0	1	GUIDACINGHIA	BELT GUIDE	GUIDE DE COURROIRE	RIEMENFÜHRUNG
50	12293201/0	1	DADO	NUT	ECROU	MUTTER
51	12155000/0	1	DADO	NUT	ECROU	MUTTER
52	12292102/0	1	DADO	NUT	ECROU	MUTTER
53	25060103/0	1	CARTER	CASE	CARTER	BLECH
54	12735110/0	2	VITE	SCREW	VIS	SCHRAUBE
71	82785073/0	1	SUPPORTO	SUPPORT	SUPPORT	HALTER
72	12792611/0	2	VITE	SCREW	VIS	SCHRAUBE
73	12293201/0	2	DADO	NUT	ECROU	MUTTER
74	22672151/0	1	RONDELLA	WASHER	RONDELLE	SCHEIBE
75	82774204/1	1	STAFFA	CLAMP	BRIDE	BRIDE
76	82318135/0	1	LEVA	LEVER	LEVIER	HEBEL
77	25430227/0	1	MOLLA	SPRING	RESSORT	FEDER
78	12692050/0	1	VITE	SCREW	VIS	SCHRAUBE
79	12155000/0	1	DADO	NUT	ECROU	MUTTER
80	22061337/0	1	CAVALLOTTO	CONNECTING PLATE	PAQUE DE CONNEXION	BUGEL BOLZEN
81	12791213/0	1	VITE	SCREW	VIS	SCHRAUBE
82	12154510/0	1	DADO	NUT	ECROU	MUTTER
83	12523060/0	1	RONDELLA	WASHER	RONDELLE	SCHEIBE
84	12155010/0	1	DADO	NUT	ECROU	MUTTER
85	82004604/2	1	FILO	WIRE	FIL	KABEL
86	12523060/0	1	RONDELLA	WASHER	RONDELLE	SCHEIBE
87	25394510/0	1	MANOPOLA	KNOB	POIGNEE	GRIFF

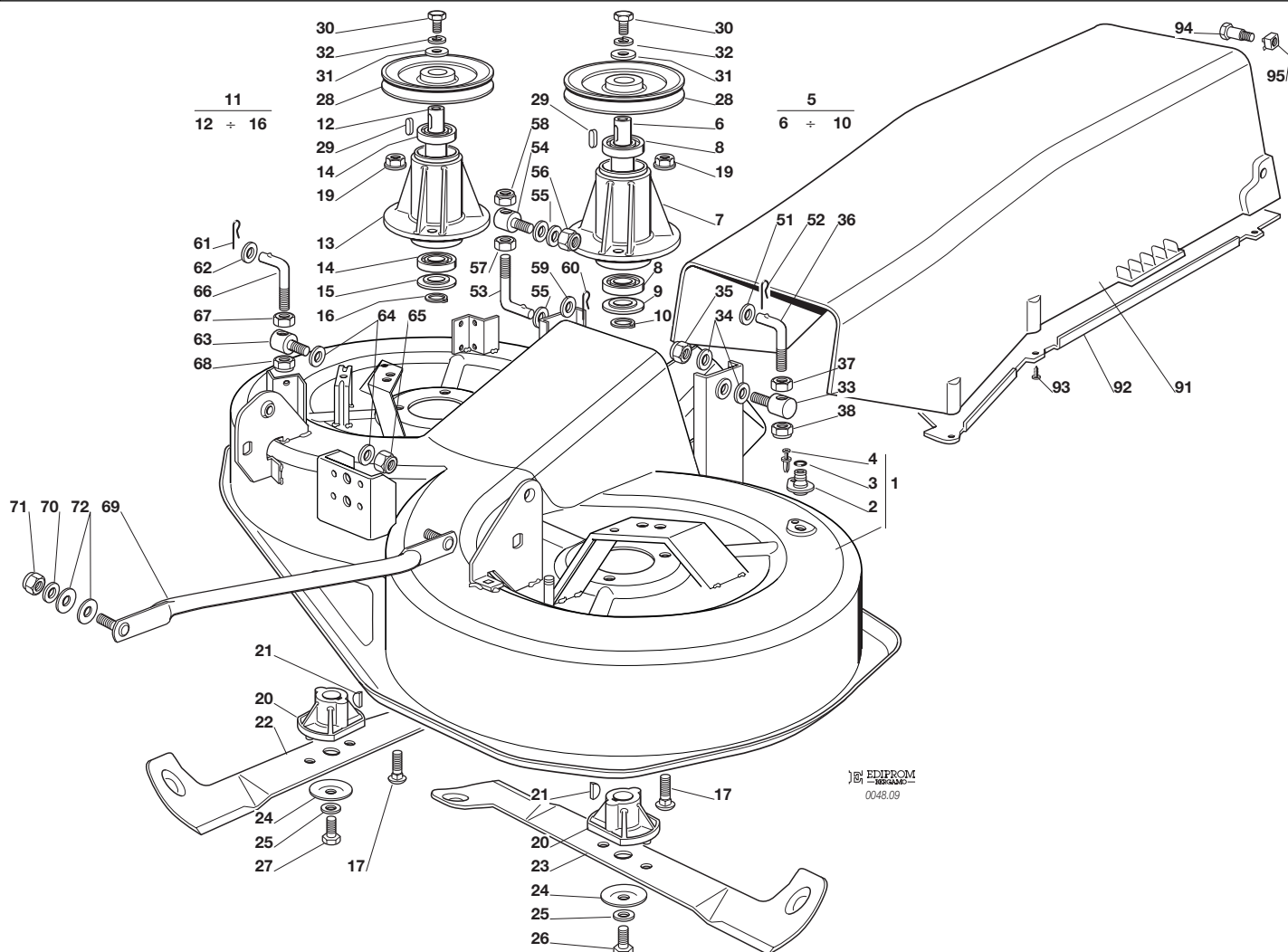
J92**JP92****JT92****JR92****J92 hy.****JP92 hy.****JT92 hy.****JR92 hy.**

PIATTO DI TAGLIO (2)
CUTTING PLATE (2)
PLATEAU DE COUPE (2)
SCHNEIDWERKZEUG (2)

2001

009.0

1 / 2



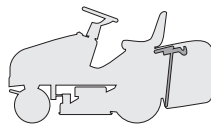
EDIPROM
 0045.09

N.	CODE	Q.TY	DESCRIZIONE	DESCRIPTION	DESCRIPTION	BESCHREIBUNG
----	------	------	-------------	-------------	-------------	--------------

1	82564034/1	1	PIATTO	PLATE	PLATEAU	SCHNEID
2	25033060/0	2	ATTACCO	WATER HOSE CONNECTION	RACCORD TUYAU D'EAU	WASSERANSCHLUSS
3	19035000/0	2	ANELLO OR	O RING	O RING	O RING
4	12500030/0	2	RIVETTO	RIVET	RIVET	NIET
5	82207202/0	1	ASS. FLANGIA SINISTRA (6÷10)	LEFT FLANGE ASS.Y (6÷10)	ENS. BRIDE GAUCHE (6÷10)	LINKE NABE, KOMPLETT (6÷10)
6	25020802/0	1	ALBERO	SHAFT	ARBRE	WELLE
7	25207200/0	1	FLANGIA	FLANGE	BRIDE	FLANSCH
8	19216032/0	2	CUSCINETTO	BEARING	ROULEMENT	KUGELLAGER
9	25160501/0	1	DISCO PARAPOLVERE	DUST COVER	PROTEGE-POUSSIERE	STAUBSCHUTTSCHIBE
10	12609260/0	1	SEEGER	SEEGER	SEEGER	SEEGER
11	82207203/0	1	ASS. FLANGIA DESTRA (12÷16)	RIGHT FLANGE ASS.Y (12÷16)	ENS. BRIDE DROITE (12÷16)	RECHTE NABE, KOMPLETT (12÷16)
12	25020803/0	1	ALBERO	SHAFT	ARBRE	WELLE
13	25207200/0	1	FLANGIA	FLANGE	BRIDE	FLANSCH
14	19216032/0	2	CUSCINETTO	BEARING	ROULEMENT	KUGELLAGER
15	25160501/0	1	DISCO PARAPOLVERE	DUST COVER	PROTEGE-POUSSIERE	STAUBSCHUTTSCHIBE
16	12609260/0	1	SEEGER	SEEGER	SEEGER	SEEGER
17	12818700/0	6	VITE	SCREW	VIS	SCHRAUBE
19	12154210/0	6	DADO	NUT	ECROU	MUTTER
20	25463200/0	2	MOZZO COLTELLO	BLADE HUB	MOYEU LAME	MESSERHALTER
21	12139100/0	2	LINGUETTA	KEY	CLAVETTE	KEIL
22	82004345/1	1	COLTELLO DESTRO	RIGHT BLADE	LAME DROITE	RECHTER MESSER
23	82004344/1	1	COLTELLO SINISTRO	LEFT BLADE	LAME GAUCHE	LINKER MESSER
24	22160400/0	2	DISCO PARAPOLVERE	DUST COVER	PROTEGE-POUSSIERE	STAUBSCHUTTSCHIBE
25	12523080/0	2	RONDELLA	WASHER	RONDELLE	SCHIBE
26	12735694/0	1	VITE	SCREW	VIS	SCHRAUBE
27	12735695/1	1	VITE	SCREW	VIS	SCHRAUBE
28	25601563/0	2	PULEGGIA	PULLEY	POULIE	RIEMENSCHIBE
29	12139480/0	2	CHIAVETTA	KEY	CLAVETTE	KEIL
30	12793102/0	2	VITE	SCREW	VIS	SCHRAUBE



N.	CODE	Q.TY	DESCRIZIONE	DESCRIPTION	DESCRIPTION	BESCHREIBUNG
31	25670007/0	2	RONDELLA	WASHER	RONDELLE	SCHEIBE
32	12583500/0	2	GROWER	GROWER	GROWER	GROWER
33	25510024/0	1	PERNO	PIN	PIVOT	BOLZEN
34	25670008/0	2	RONDELLA	WASHER	RONDELLE	SCHEIBE
35	12156602/0	1	DADO	NUT	ECROU	MUTTER
36	25840003/0	1	TIRANTE	TIE ROD	TIRANT	SPANNSTANGE
37	12295200/0	1	DADO	NUT	ECROU	MUTTER
38	12156602/0	1	DADO	NUT	ECROU	MUTTER
—	82564036/2	1	PIATTO DI TAGLIO ASSEMBLATO	CUTTING PLATE, ASSEMBLED	PLATEAU DE COUPE, COMPLETE	SCHNEIDWERKZEUG, KOMPLETT
			(008.0, 1÷39 + 009.0, 1÷38)	(008.0, 1÷39 + 009.0, 1÷38)	(008.0, 1÷39 + 009.0, 1÷38)	(008.0, 1÷39 + 009.0, 1÷38)
51	25670008/0	1	RONDELLA	WASHER	RONDELLE	SCHEIBE
52	24487997/0	1	COPPIGLIA	COTTER PIN	GOUPILLE	SPLIT
53	25840007/0	1	TIRANTE	TIE ROD	TIRANT	SPANNSTANGE
54	25510024/0	2	PERNO	PIN	PIVOT	BOLZEN
55	25670008/0	3	RONDELLA	WASHER	RONDELLE	SCHEIBE
56	12156602/0	1	DADO	NUT	ECROU	MUTTER
57	12295200/0	1	DADO	NUT	ECROU	MUTTER
58	12156602/0	1	DADO	NUT	ECROU	MUTTER
59	12521360/0	1	RONDELLA	WASHER	RONDELLE	SCHEIBE
60	24487997/0	1	COPPIGLIA	COTTER PIN	GOUPILLE	SPLIT
61	24487997/0	1	COPPIGLIA	COTTER PIN	GOUPILLE	SPLIT
62	25670008/0	1	RONDELLA	WASHER	RONDELLE	SCHEIBE
63	25510024/0	1	PERNO	PIN	PIVOT	BOLZEN
64	25670008/0	2	RONDELLA	WASHER	RONDELLE	SCHEIBE
65	12156602/0	1	DADO	NUT	ECROU	MUTTER
66	25840003/0	1	TIRANTE	TIE ROD	TIRANT	SPANNSTANGE
67	12295200/0	1	DADO	NUT	ECROU	MUTTER
68	12156602/0	1	DADO	NUT	ECROU	MUTTER
69	82000474/0	2	ASTA BILANCIERE	EQUALIZER ROD	TIGE BALANCIER	KIPPEBEL
70	12523060/0	4	RONDELLA	WASHER	RONDELLE	SCHEIBE
71	12156602/0	4	DADO	NUT	ECROU	MUTTER
72	25670008/0	8	RONDELLA	WASHER	RONDELLE	SCHEIBE
91	25108004/0	1	CONVOGLIATORE	CONVEYOR	CONVOYEUR	BLECHSATZ
92	25190091/0	1	DEFLETTORE	DEFLECTOR	DEFLECTEUR	ABWEISER
93	12735402/0	6	VITE	SCREW	VIS	SCHRAUBE
94	25510061/0	2	PERNO	PIN	PIVOT	BOLZEN
95	12360430/0	2	DADO	NUT	ECROU	MUTTER

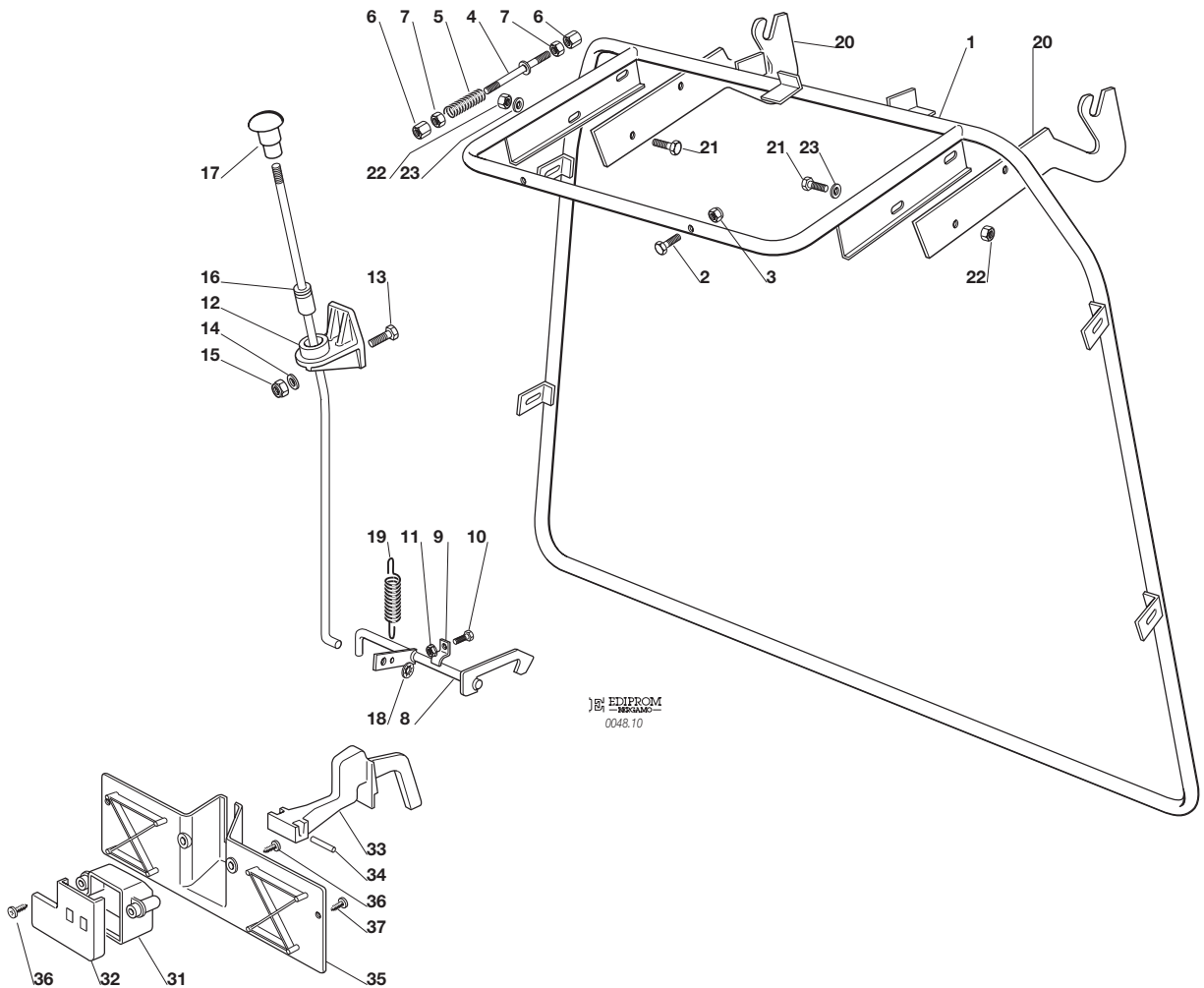
J92**JP92****JT92****JR92****J92 hy.****JP92 hy.****JT92 hy.****JR92 hy.**

SACCO (1. - PARTE FISSA)
GRASSCATCHER (1. - FIXED PART)
BAC (1. - PARTIE FIXE)
AUFFANGSACK (1. - FESTER TEIL)

2001

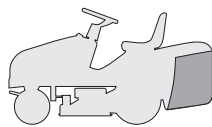
010.0

1 / 1



EDIPROM
0048.10

N.	CODE	Q.TY	DESCRIZIONE	DESCRIPTION	DESCRIPTION	BESCHREIBUNG
1	82800017/1	1	TELAIO	FRAME	CHASSIS	RAHMEN
2	12791500/0	5	VITE	SCREW	VIS	SCHRAUBE
3	12154510/0	5	DADO	NUT	ECROU	MUTTER
4	82000465/1	1	ASTA	ROD	TIGE	STANGE
5	25430232/0	1	MOLLA	SPRING	RESSORT	FEDER
6	25510042/0	2	PERNO	PIN	PIVOT	BOLZEN
7	12292100/0	2	DADO	NUT	ECROU	MUTTER
8	82000363/0	1	ASTA AGGANCIAMENTO SACCO	COUPLING ROD	TIGE D'ACCROCHAGE	KUPPLUNGSTANGE
9	25774220/0	2	STAFFA ANCORAGGIO	ANCHOR BRACKET	ETRIER	BRIDE
10	12790781/0	2	VITE	SCREW	VIS	SCHRAUBE
11	12292102/0	2	DADO	NUT	ECROU	MUTTER
12	25785055/0	1	SUPPORTO	SUPPORT	SUPPORT	HALTER
13	12791200/0	1	VITE	SCREW	VIS	SCHRAUBE
14	12521330/0	1	ROSETTA	WASHER	RONDELLE	SCHEIBE
15	12154510/0	1	DADO	NUT	ECROU	MUTTER
16	82000467/0	1	ASTA SGANCIO	RELEASE ROD	TIGE DE DECCROCHAGE	ENTKUPPLUNGSTANGE
17	82394507/0	1	MANOPOLA	HANDLE	POIGNEE	GRIFF
18	12604898/0	1	RONDELLA	WASHER	RONDELLE	SCHEIBE
19	25430220/0	1	MOLLA	SPRING	RESSORT	FEDER
20	25785077/0	2	SUPPORTO	SUPPORT	SUPPORT	HALTER
21	12793102/0	4	VITE	SCREW	VIS	SCHRAUBE
22	12155000/0	4	DADO	NUT	ECROU	MUTTER
23	12521350/0	4	RONDELLA	WASHER	RONDELLE	SCHEIBE
31	25600041/0	1	PROTEZIONE MICRO	MICRO PROTECTION	PROTECTION MICRO	SCHUTZ
32	25600042/0	1	COPERCHIO PROTEZIONE	PROTECTION COVER	COUVERCLE PROTECTION	SCHUTZDEKEL
33	25318124/0	1	LEVA	LEVER	LEVIER	HEBEL
34	12400030/0	1	PERNO	PIN	PIVOT	BOLZEN
35	25774251/0	1	STAFFA	BRACKET	SUPPORT	SHELLE
36	12728510/0	3	VITE	SCREW	VIS	SCHRAUBE
37	12735110/0	2	VITE	SCREW	VIS	SCHRAUBE

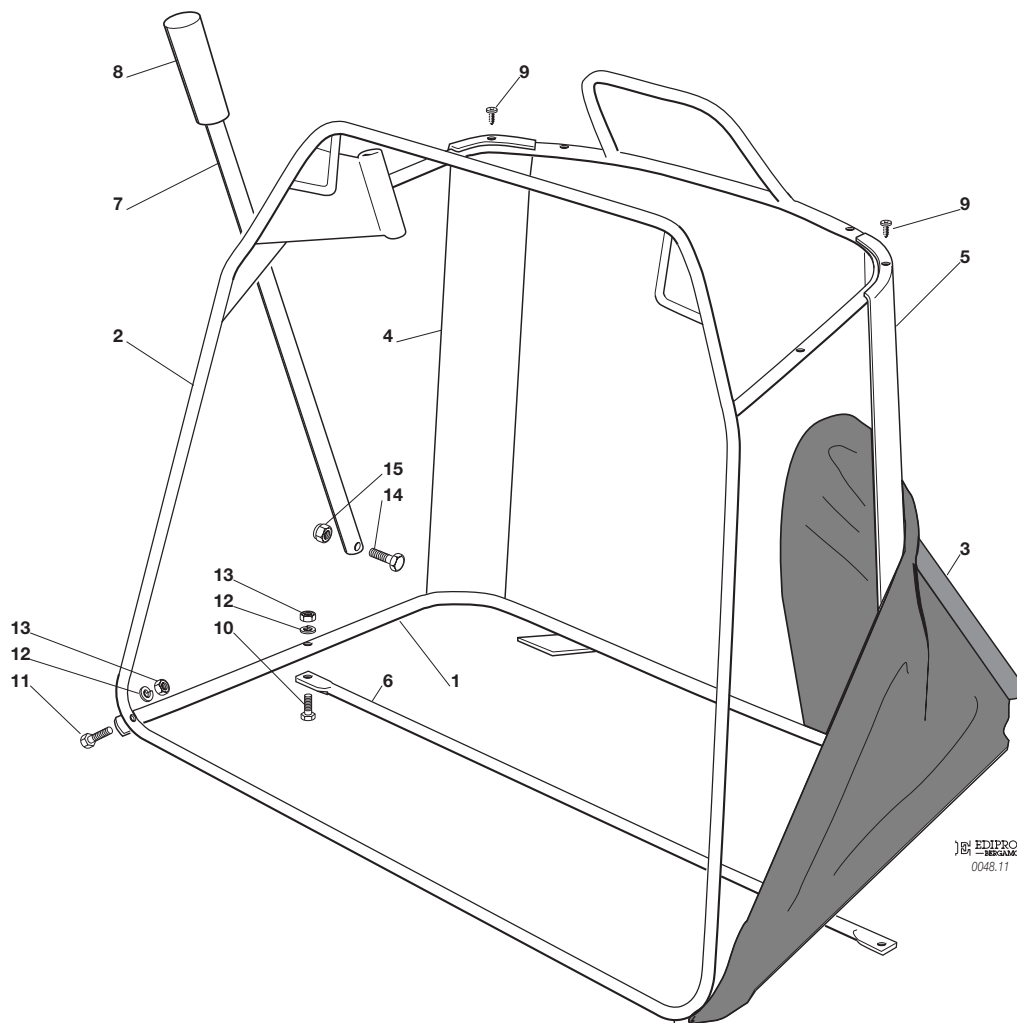
J92**JP92****JT92****JR92****J92 hy.****JP92 hy.****JT92 hy.****JR92 hy.**

SACCO (2. - PARTE MOBILE)
GRASSCATCHER (2. - MOBILE PART)
BAC (2. - PARTIE MOBILE)
AUFFANGSACK (2. - BEWEGLICHER TEIL)

2001

011.0

1 / 1



EDIPROM
 -MEGALUM-
 0048.11

N.	CODE	Q.TY	DESCRIZIONE	DESCRIPTION	DESCRIPTION	BESCHREIBUNG
1	82800015/0	1	TELAIO INFERIORE	LOWER FRAME	CHASSIS INFÉRIEUR	UNTERERRAHMEN
2	82800014/1	1	TELAIO SUPERIORE	UPPER FRAME	CHASSIS SUPÉRIEUR	OBERERRAHMEN
3	82105998/0	1	CONFEZIONE SACCO	GRASSCATCHER	BAC	SACK
4	25032005/0	1	ANGOLARE DESTRO	RIGHT ANGULAR SUPPORT	SUPPORT ANGULAIRE	RECHTER HALTER
5	25032004/0	1	ANGOLARE SINISTRO	LEFT ANGULAR SUPPORT	SUPPORT ANGULAIRE	LINKER HALTER
6	82650039/0	1	RINFORZO	STIFFENING	RENFORCEMENT	VERSTÄRKUNG
7	25869029/1	1	TUBO	ROD	TIGE	STANGE
8	25394508/0	1	MANOPOLA	HANDLE	POINGEE	GRIF
9	12729601/0	4	VITE	SCREW	VIS	SCHRAUBE
10	12792099/0	2	VITE	SCREW	VIS	SCHRAUBE
11	12792099/0	2	VITE	SCREW	VIS	SCHRAUBE
12	12582101/0	4	GROWER	GROWER	GROWER	GROWER
13	12292100/0	4	DADO	NUT	ECROU	MUTTER
14	12792099/0	1	VITE	SCREW	VIS	SCHRAUBE
15	12154510/0	1	DADO	NUT	ECROU	MUTTER

J92

JP92

JT92

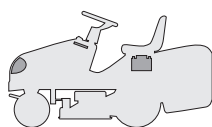
JR92

J92 hy.

JP92 hy.

JT92 hy.

JR92 hy.

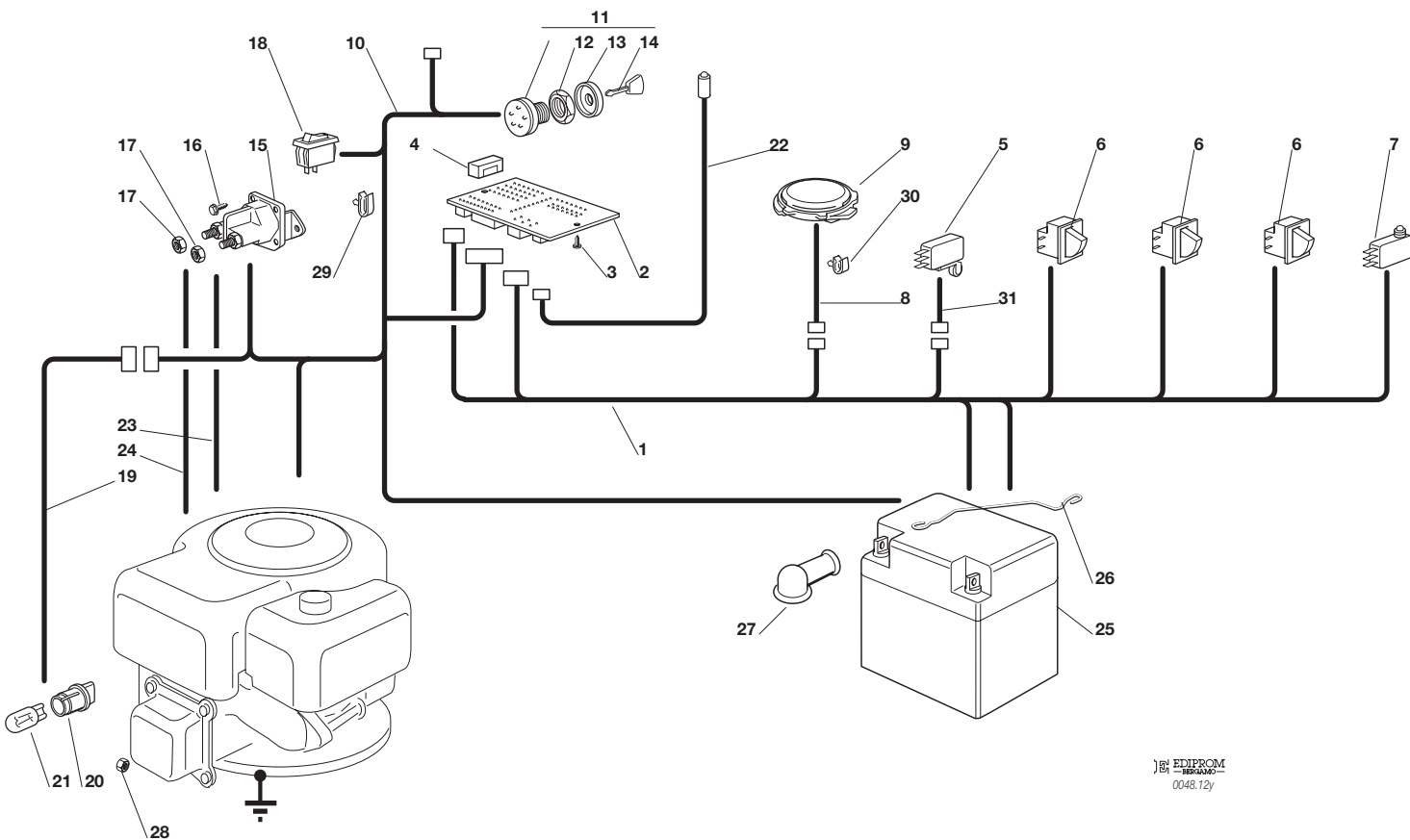


PARTI ELETTRICHE
ELECTRICAL PARTS
PARTIES ELECTRIQUES
ELETRISCHETEILE

2001

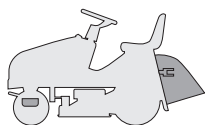
012Y.0

1 / 1



18: EEPROM
 0048.12y

N.	CODE	Q.TY	DESCRIZIONE	DESCRIPTION	DESCRIPTION	BESCHREIBUNG
1	82040085/0	1	CABLAGGIO POSTERIORE	CABLES ASS.Y	ENS. CABLAGES	KABELSATZ
2	25722415/0	1	SCHEDA ELETTRONICA	ELECTRONIC CARD	CARTE ELECTRONIQUE	ELEKTRONISCHE KARTE
3	12727810/0	2	VITE	SCREW	VIS	SCHRAUBE
4	33340033/0	1	FUSIBILE	FUSE	FUSIBLE	SICHERUNG
5	19410609/0	1	INTERRUTTORE FOLLE	NEUTRAL SWITCH	MICROINTERRUPTEUR	MIKROSCHALTER
6	19410606/0	3	MICRO INTERRUTTORE	MICROSWITCH	MICROINTERRUPTEUR	MIKROSCHALTER
7	19410605/1	1	MICRO SACCO PIENO	FULL GRASSCATCHER	MICRO BAC PLEIN	VOLLKORB VORRICHTUNG
8	25065020/0	1	CAVO MICRO SEDILE	CABLE	CABLES	KABEL
9	19410607/0	1	MICRO SEDILE	MICRO	MICRO	MIKRO
10	82040082/0	1	CABLAGGIO ANTERIORE	CABLES ASS.Y	ENS. CABLAGES	KABELSATZ
11	18450065/1	1	INTERRUTTORE AVVIAM.	STARTING SWITCH	INTERRUPTEUR DEMARR.	SCHALTER
12	18400861/0	1	GHIERA	RINGNUT	EMBOUT	NUTMUTTER
13	18565351/0	1	PROTEZIONE GHIERA	RINGNUT PROTECTION	PROTECTION EMBOUT	NUTMUTTER SCHUTZ
14	18210016/0	1	CHIAVE AVVIAMENTO	STARTING KEY	CLEF A DEMARRAGE	SCHLÜSSEL FÜR START
15	18736111/0	1	RELÉ AVVIAMENTO	STARTER RELAY	RELAIS D'ALLUMAGE	ANLASSRELAIS
16	12791213/0	2	VITE	SCREW	VIS	SCHRAUBE
17	12292102/0	2	DADO	NUT	ECROU	MUTTER
18	18450060/1	1	INTERRUTTORE	FARILAMP SWITCH	INTERRUPTEUR PHARES	LICHTEN SCHALTER
19	82040070/0	1	CAVO FARI	CABLE	CABLES	KABEL
20	33500030/0	2	PORTALAMPADE	LAMP HOLDER	DOUILLE DE LAMPE	SCHEINWERFERLAMPE
21	18459100/0	2	LAMPADA	FARILAMP FOR LIGHTS	LAMPE POUR PHARES	LAMPENFASSUN
22	25065014/1	1	CAVO LED SEGNALEZIONE	CABLE	CABLES	KABEL
23	25065012/0	1	CAVO RICARICA	CABLE	CABLES	KABEL
24	25065017/0	1	CABLAGGIO SOLEN. AVV.	CABLES ASS.Y	ENS. CABLAGES	KABELSATZ
25	18120002/1	1	BATTERIA	BATTERY	BATTERIE	BATTERIE
26	25430230/0	1	MOLLA	SPRING	RESSORT	FEDER
27	18564861/0	1	CAPPUCCIO	PROTECTION	CAPUCHON	STECKER
28	12361005/0	1	DADO	NUT	ECROU	MUTTER
29	33320506/0	4	FERMACAVO	FAIRLED	FIXATION CABLE	KABELBEFESTIGUNG
30	33320504/0	1	FERMACAVO	FAIRLED	FIXATION CABLE	KABELBEFESTIGUNG
31	25065025/0	1	CAVO MICRO FOLLE	CABLE	CABLES	KABEL

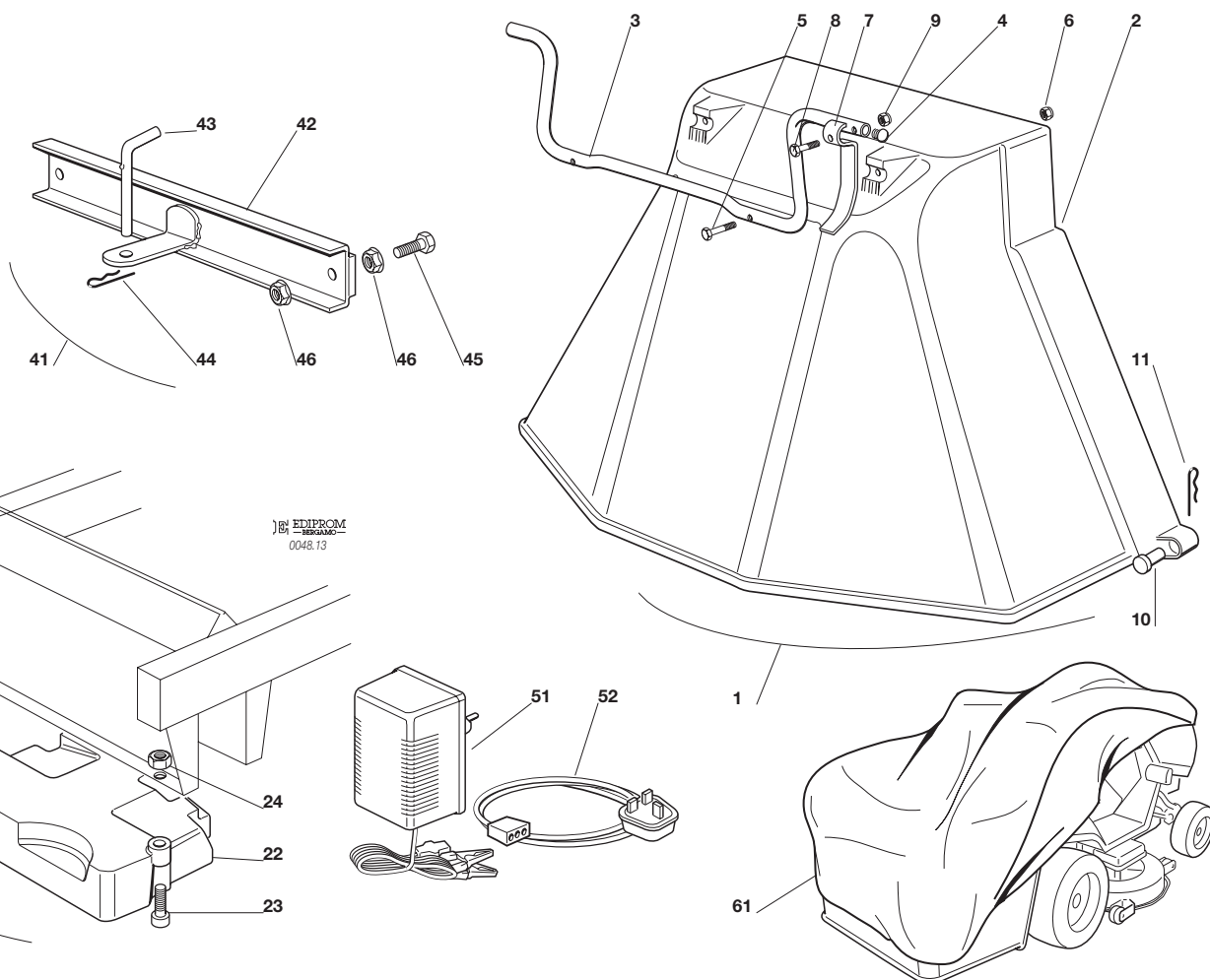
J92**JP92****JT92****JR92****J92 hy.****JP92 hy.****JT92 hy.****JR92 hy.**

**ACCESSORI A RICHIESTA
OPTIONALS ON REQUEST
ACCESSOIRES SUR DEMANDE
ZUBEHOERE NACH ANFRAGE**

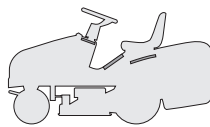
2001

013.0

1 / 1



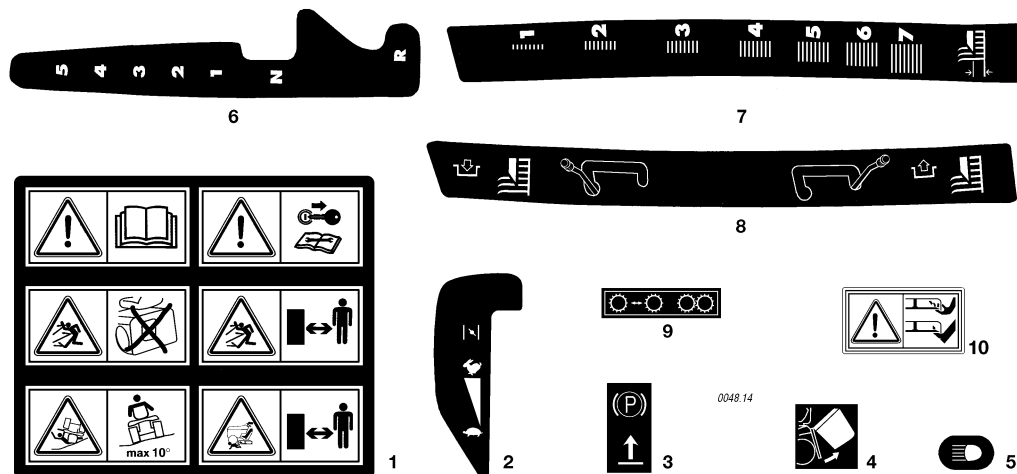
N.	CODE	Q.TY	DESCRIZIONE	DESCRIPTION	DESCRIPTION	BESCHREIBUNG
1	99900050/0	1	ASS. KIT PROTEZIONE USCITA	EJECTION-GUARD ASS.Y	KIT PROTECTION SORTIE	VORRICHTUNG FÜR AUSWURESCHUTZ
2	82400002/0	1	PROTEZIONE USCITA	EJECTION GUARD	PROTECTION SORTIE	AUSWURESCHUTZ
3	25869031/0	1	TUBO DI AGGANCIO	SUPPORT	SOPPORT	HALTER
4	18566113/0	2	PUNTALE	CAP	BOUCHON	PFROPFEN
5	12674701/0	2	VITE	SCREW	VIS	SCHRAUBE
6	12154510/0	2	DADO	NUT	ECROU	MUTTER
7	25547053/0	1	PIASTRINA	PLATE	PLAQUETTE	PLÄTTCHEN
8	12791500/0	1	VITE	SCREW	VIS	SCHRAUBE
9	12154510/0	1	DADO	NUT	ECROU	MUTTER
10	25510022/0	2	PERNO	PIN	PIVOT	BOLZEN
11	24487998/0	2	COPPIGLIA	COTTER PIN	GOUPILLE	SPLIT
21	99900030/5	1	ASS. KIT PESO ANT.	FRONT WEIGHT KIT	KIT POIDS ANTERIEUR	VORDERGEWICHT VORRICHTUNG
22	25519997/0	1	PESO	WEIGHT	POIDS	GEWICHT
23	12760520/0	3	VITE	SCREW	VIS	SCHRAUBE
24	12155000/0	3	DADO	NUT	ECROU	MUTTER
41	99900080/1	1	ASS. KIT TRAINO	HITCH KIT	KIT DE TRAINAGE	ZUGVORRICHTUNG
42	82033103/1	1	BARRA	ROD	BARRE	STANGE
43	25510021/0	1	PERNO	PIN	PIVOT	BOLZEN
44	24487999/0	1	COPPIGLIA	COTTER PIN	GOUPILLE	SPLIT
45	12793301/0	2	VITE	SCREW	VIS	SCHRAUBE
46	12293201/0	4	DADO	NUT	ECROU	MUTTER
51	82180050/0	1	CARICA BATTERIE	BATTERY CHARGER	CHARGEUR DE BATTERIES	BATTERIELADEGERÄT
52	82180055/0	1	CAVO (solo per U.K.)	CABLE (U.K. only)	CABLES (seulement U.K.)	KABEL (nur für U.K.)
61	18737950/0	1	TELO DI COPERTURA	CLOTH	BÂCHE	PLANE

J92**JP92****JT92****JR92****J92 hy.****JP92 hy.****JT92 hy.****JR92 hy.**
**ETICHETTE
LABELS
ETIQUETTES
KLEBZETTEL**

2001

014.0

1 / 1



N.	CODE	Q.TY	DESCRIZIONE	DESCRIPTION	DESCRIPTION	BESCHREIBUNG
1	14357190/0	1	ETICHETTA	LABEL	ETIQUETTE	KLEBZETTEL
2	14357209/1	1	ETICHETTA	LABEL	ETIQUETTE	KLEBZETTEL
3	14356185/1	1	ETICHETTA	LABEL	ETIQUETTE	KLEBZETTEL
4	14357189/0	1	ETICHETTA	LABEL	ETIQUETTE	KLEBZETTEL
5	14357424/1	1	ETICHETTA	LABEL	ETIQUETTE	KLEBZETTEL
6	14357210/1	1	ETICHETTA (mecc.)	LABEL (mech.)	ETIQUETTE (mec.)	KLEBZETTEL (mech.)
7	14357211/1	1	ETICHETTA	LABEL	ETIQUETTE	KLEBZETTEL
8	14357360/1	1	ETICHETTA	LABEL	ETIQUETTE	KLEBZETTEL
9	14357423/1	1	ETICHETTA (hydro)	LABEL (hydro)	ETIQUETTE (hydro)	KLEBZETTEL (hydro)
10	14356699/0	2	ETICHETTA	LABEL	ETIQUETTE	KLEBZETTEL