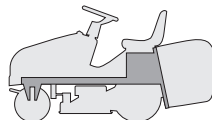
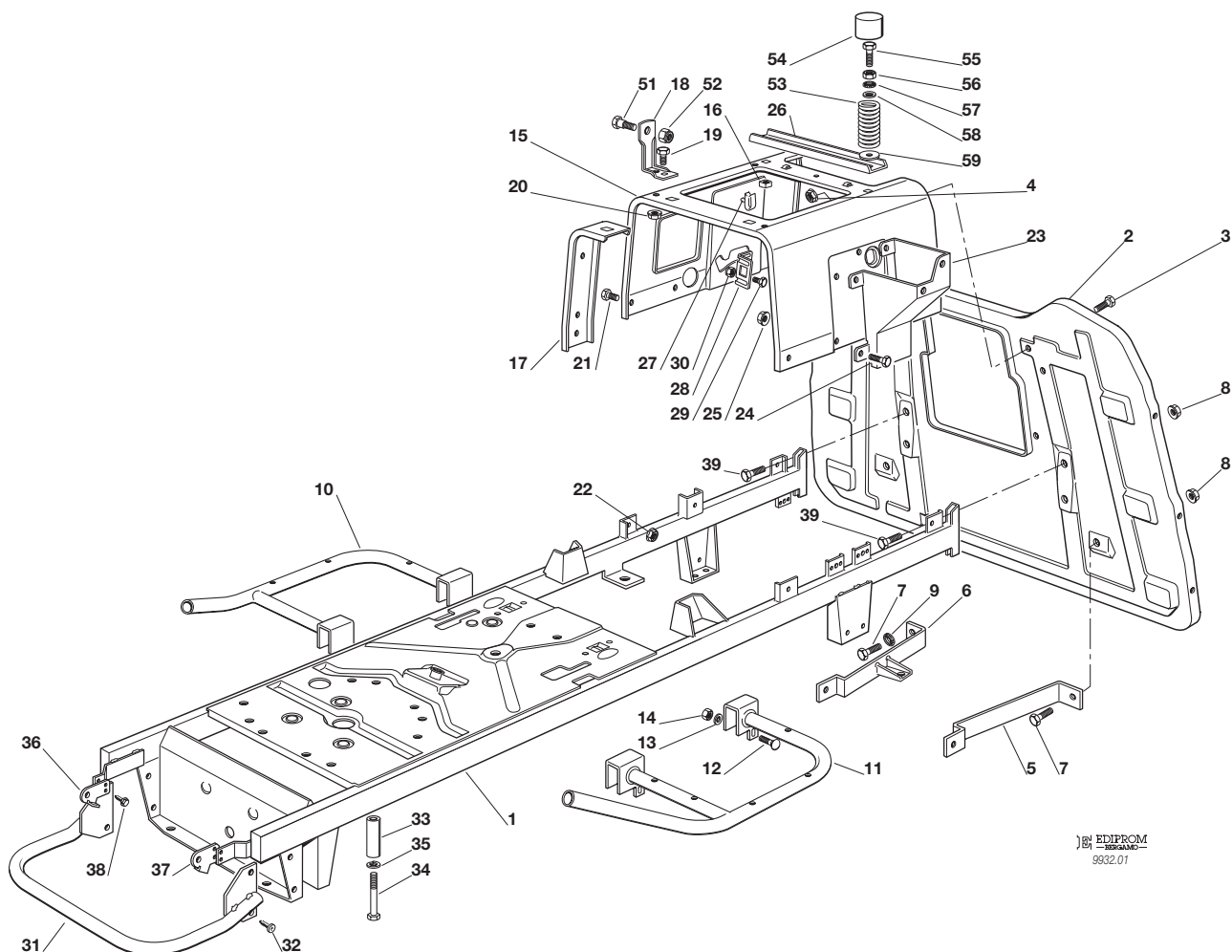


J92**JP92****JT92****JR92****J92 hy.****JP92 hy.****JT92 hy.****JR92 hy.**
TELAIO
CHASSIS
CHASSIS
RAHMENSATZ

2000

001.0

1 / 2


 EDIPROM
 9932.01

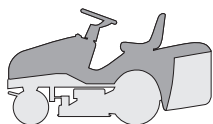
N.	CODE	Q.TY	DESCRIZIONE	DESCRIPTION	DESCRIPTION	BESCHREIBUNG
1	82800034/3	1	TELAIO	CHASSIS	CHASSIS	RAHMENSATZ
2	82547009/1	1	PIASTRA	PLATE	PLAQUE	PLATTE
3	12790780/0	4	VITE	SCREW	VIS	SCHRAUBE
4	12292102/0	4	DADO	NUT	ECROU	MUTTER
5	25650046/0	1	RINFORZO	PLATE STIFFENING	RENFORCEMENT PLAQUE	PLATTEVERSTAERKUNG
6	82650201/0	1	RINFORZO DESTRO	PLATE STIFFENING, RIGHT	RENFORCEMENT PLAQUE, DROIT	RECHTE PLATTE-VERSTAERKUNG
7	12792610/0	4	VITE	SCREW	VIS	SCHRAUBE
8	12293201/0	6	DADO	NUT	ECROU	MUTTER
9	12540260/0	1	ROSETTA	WASHER	RONDELLE	SCHEIBE
10	82800019/0	1	SUPPORTO PEDANA DESTRA	RIGHT FOOTBOARD SUPPORT	MARCHEPIED DROITE SUPPORT	RECHTE FUSSBRETTHALTER
11	82800021/0	1	SUPPORTO PEDANA SINISTRA	LEFT FOOTBOARD SUPPORT	SUPPORT MARCHEPIED GAUCHE	LINKE FUSSBRETTHALTER
12	12815240/0	4	VITE	SCREW	VIS	SCHRAUBE
13	12523040/0	4	ROSETTA	WASHER	RONDELLE	SCHEIBE
14	12154510/0	4	DADO	NUT	ECROU	MUTTER
15	25785119/0	1	SUPPORTO SEDILE	SEAT SUPPORT	SUPPORT SIEGE	SITZHALTER
16	12360420/0	2	DADO	NUT	ECROU	MUTTER
17	25650055/0	2	RINFORZO	PLATE STIFFENING	RENFORCEMENT PLAQUE	PLATTEVERSTAERKUNG
18	25755008/0	2	SQUADRETTA	BRACKET	EQUERRE-SUPPORT	WINKEL
19	12792610/0	2	VITE	SCREW	VIS	SCHRAUBE
20	12293201/0	2	DADO	NUT	ECROU	MUTTER
21	12791011/0	4	VITE	SCREW	VIS	SCHRAUBE
22	12292102/0	4	DADO	NUT	ECROU	MUTTER
23	25785057/0	1	SUPPORTO	SUPPORT	SUPPORT	HALTER
24	12790780/0	4	VITE	SCREW	VIS	SCHRAUBE
25	12292102/0	4	DADO	NUT	ECROU	MUTTER
26	25650056/0	1	RINFORZO	PLATE STIFFENING	RENFORCEMENT PLAQUE	PLATTEVERSTAERKUNG
27	33320506/0	4	FERMACAVO	FAIR LED	FIXATION DE CABLE	KABELBEFESTIGUNG
28	25755016/0	1	SQUADRETTA	BRACKET	EQUERRE-SUPPORT	WINKEL



N.	CODE	Q.TY	DESCRIZIONE	DESCRIPTION	DESCRIPTION	BESCHREIBUNG
29	12789000/0	2	VITE	SCREW	VIS	SCHRAUBE
30	12154330/0	2	DADO	NUT	ECROU	MUTTER
31	82869011/0	1	PROTEZIONE SILENZIATORE	MUFFLER PROTECTION	PROTECTION SILENCIEUX	AUSPUFFSCHUTZ
32	12734995/0	4	VITE	SCREW	VIS	SCHRAUBE
33	25580011/0	2	PIOLO GUIDACINGHIA	BELT GUIDE	GUIDE DE COURROIRE	RIEMENFÜHRUNG
34	12691700/0	2	VITE	SCREW	VIS	SCHRAUBE
35	12583500/0	2	GROWER	GROWER	GROWER	GROWER
36	25547061/0	1	PIASTRINA DESTRA	RIGHT PLATE	PLAQUE DROITE	RECHTE PLATTE
37	25547063/0	1	PIASTRINA SINISTRA	LEFT PLATE	PLAQUE GAUCHE	LINKE PLATTE
38	12731580/0	4	VITE	SCREW	VIS	SCHRAUBE
39	12792610/0	2	VITE	SCREW	VIS	SCHRAUBE
51	22524970/1	2	PERNO	PIN	PIVOT	BOLZEN
52	12155010/0	2	DADO	NUT	ECROU	MUTTER
53	25430205/0	2	MOLLA	SPRING	RESSORT	FEDER
54	25122000/1	2	CUFFIA	HOOD	PROTECTEUR	SCHUTZKASTEN
55	25943001/0	2	VITE	SCREW	VIS	SCHRAUBE
56	12293200/0	2	DADO	NUT	ECROU	MUTTER
57	12583500/0	2	GROWER	GROWER	GROWER	GROWER
58	12521350/0	2	RONDELLA	WASHER	RONDELLE	SCHEIBE
59	12523060/0	2	RONDELLA	WASHER	RONDELLE	SCHEIBE

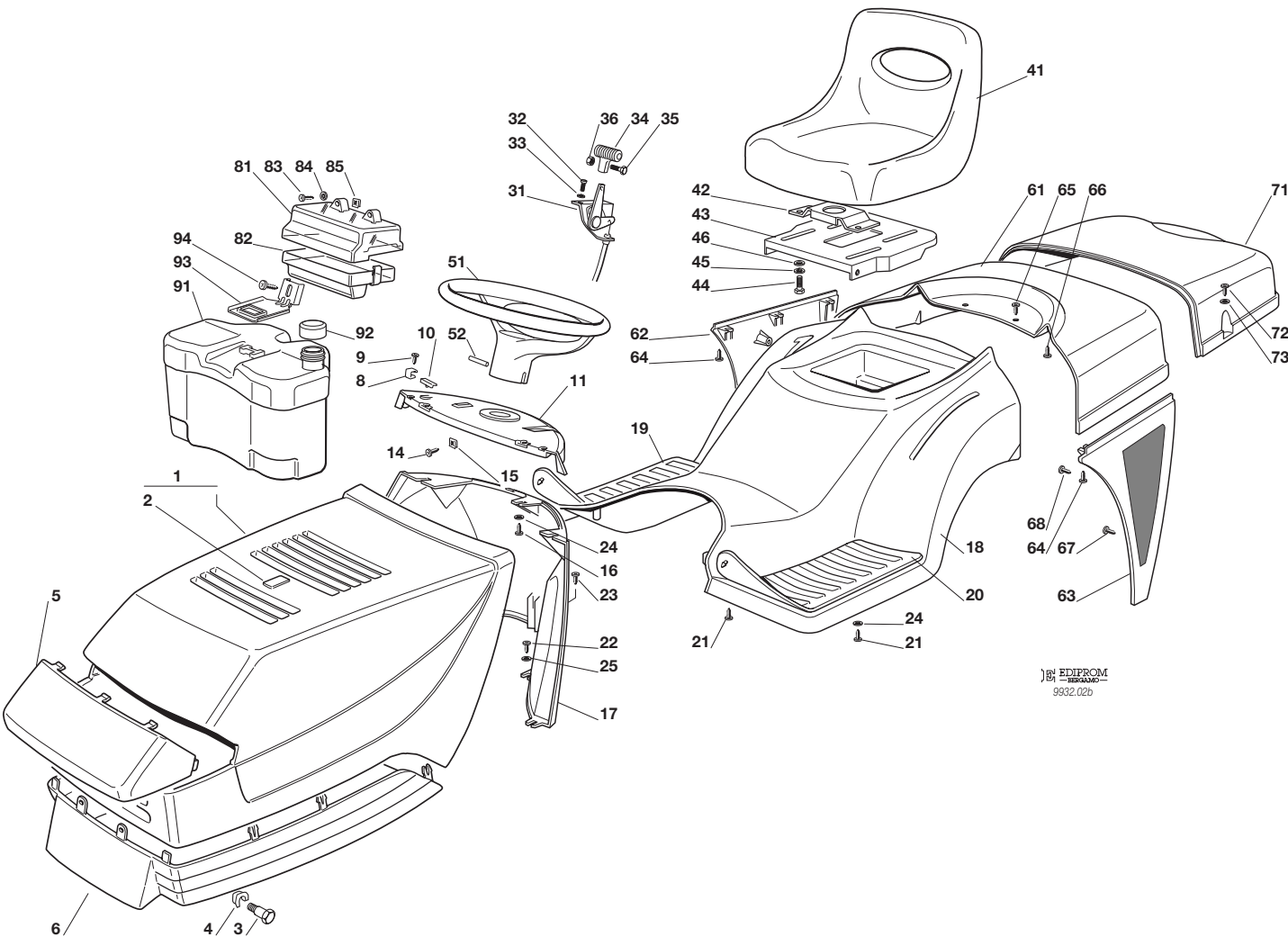
J92 JP92 JT92 JR92

J92 hy. JP92 hy. JT92 hy. JR92 hy.



CARROZZERIA
BODY
CARROSSERIE
KARROSSERIE

2000
002b.0
1 / 2

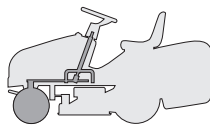


N. CODE Q.TY DESCRIZIONE DESCRIPTION DESCRIPTION DESCRIPTION

N.	CODE	Q.TY	DESCRIZIONE	DESCRIPTION	DESCRIPTION	BESCHREIBUNG
1	82076801/1	1	COFANO SUPERIORE ROSSO	UPPER ENGINE HOOD RED	CAPOT SUPERIEURE ROUGE	OBERHAUBESATZ ROT
	82076804/0		VERDE	GREEN	VERT	GRÜN
	82076805/0		GIALLO	YELLOW	JAUNE	GELB
	82076807/0		BLU	BLUE	BLEU	BLAU
	82076826/0		ARANCIONE	ORANGE	ORANGE	DUNKELORANGE
2	25547016/1	1	PIASTRINA ROSSA	PLATE RED	PLAQUE ROUGE	PLATTE ROT
	25547015/0		VERDE	GREEN	VERT	GRÜN
	25547014/0		GIALLA	YELLOW	JAUNE	GELB
	25547024/0		BLU	BLUE	BLEU	BLAU
	25547093/0		ARANCIONE	ORANGE	ORANGE	DUNKELORANGE
3	25510023/1	2	PERNO	PIN	PIVOT	BOLZEN
4	12436050/0	2	PIASTRINA	PLATE	PLAQUE	PLATTE
5	25410858/0	1	MASCHERINA	GRILL	PANNEAU	SCHUTZ
6	25076802/0	1	COFANO INFERIORE	LOWER ENGINE HOOD	CAPOT INFERIEURE	UNTERHAUBESATZ
8	25430215/0	2	MOLLA AGGANCIO	COUPLING SPRING	RESSORT ACCROCHAGE	KUPPLUNGSFEDER
9	12728450/0	2	VITE	SCREW	VIS	SCHRAUBE
10	25260000/0	2	GOMMINO	GROMMET	PROTECTION	SCHUTZ
11	25120165/0	1	CRUSCOTTO ROSSO	DASHBOARD RED	TABLEAU COMMANDES ROUGE	KONSOLE ROT
	25120167/0		VERDE	GREEN	VERT	GRÜN
	25120166/0		GIALLO	YELLOW	JAUNE	GELB
	25120168/0		BLU	BLUE	BLEU	BLAU
	25120172/0		ARANCIONE	ORANGE	ORANGE	DUNKELORANGE
14	12735110/0	2	VITE	SCREW	VIS	SCHRAUBE
15	12437502/0	2	PIASTRINA	PLATE	PLAQUE	PLATTE
16	12735402/0	3	VITE	SCREW	VIS	SCHRAUBE
17	25785036/1	1	SUPPORTO CRUSCOTTO ROSSO	DASHBOARD SUPPORT RED	SUPPORT TABLEAU COMM. ROUGE	KONSOLEHALTER ROT
	25785038/1		VERDE	GREEN	VERT	GRÜN



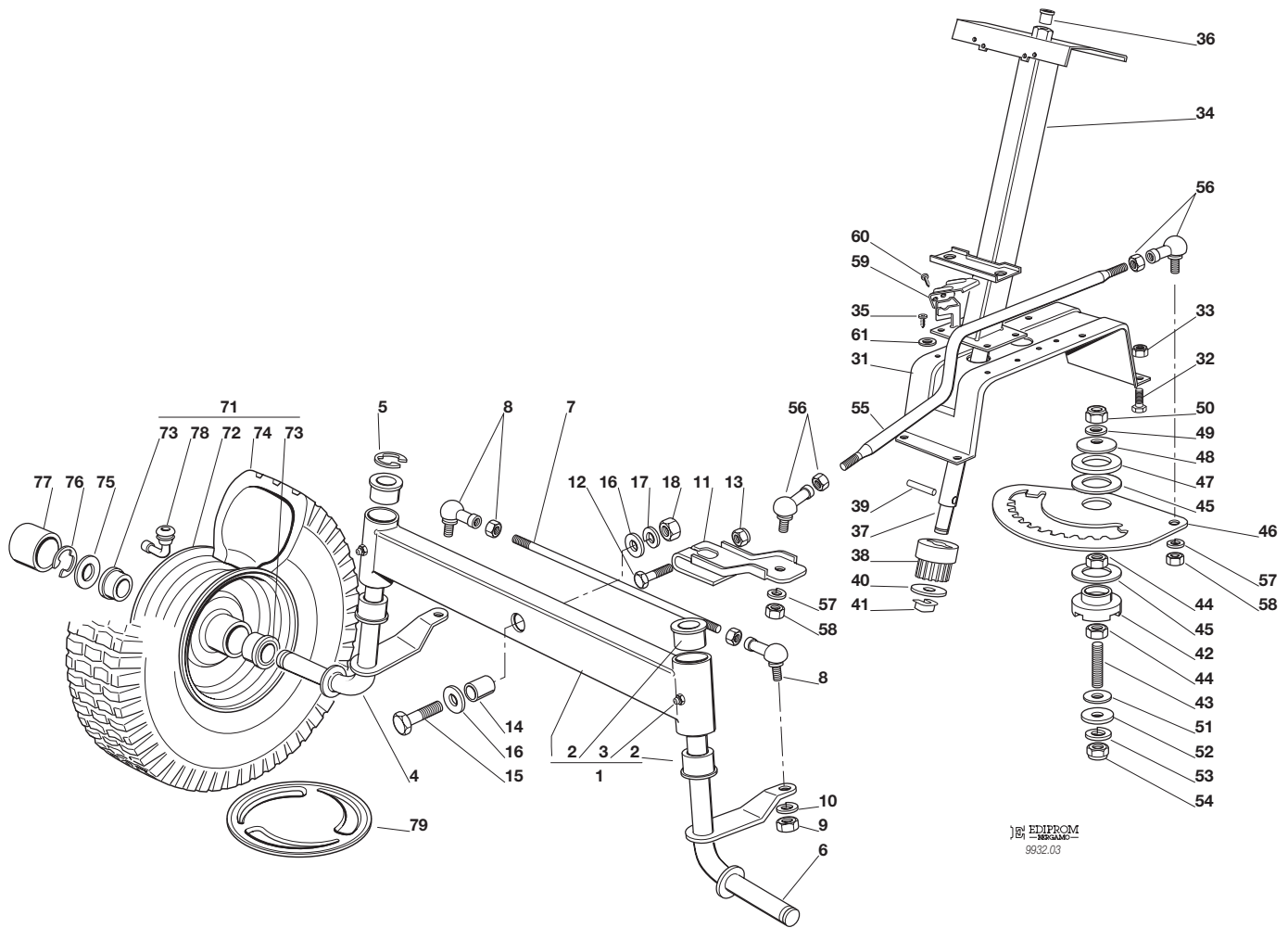
N.	CODE	Q.TY	DESCRIZIONE	DESCRIPTION	DESCRIPTION	BESCHREIBUNG
	25785037/1		GIALLO	YELLOW	JAUNE	GELB
	25785046/1		BLU	BLUE	BLEU	BLAU
	25785049/1		ARANCIONE	ORANGE	ORANGE	DUNKELORANGE
18	☛	1	COPERTURA RUOTE	WHEELS COVER	COUVRE-ROUES	RADENKAPPE
	25110177/2		ROSSO	RED	ROUGE	ROT
	25110193/2		VERDE	GREEN	VERT	GRÜN
	25110194/2		GIALLO	YELLOW	JAUNE	GELB
	25110195/2		BLU	BLUE	BLEU	BLAU
	25110156/2		ARANCIONE	ORANGE	ORANGE	DUNKELORANGE
18	☛	1	COPERTURA RUOTE (hydro)	WHEELS COVER (hydro)	COUVRE-ROUES (hydro)	RADENKAPPE (hydro)
	25110184/1		ROSSO	RED	ROUGE	ROT
	25110206/1		VERDE	GREEN	VERT	GRÜN
	25110205/1		GIALLO	YELLOW	JAUNE	GELB
	25110207/1		BLU	BLUE	BLEU	BLAU
	25110155/1		ARANCIONE	ORANGE	ORANGE	DUNKELORANGE
19	25110264/1	1	COPRIPEDANA DESTRA	RIGHT FOOTBOARDCOVER	COUVRE MARCHEPIED DRO.	RECHTE FUSSBRETTDECKEL
20	25110263/1	1	COPRIPEDANA SINISTRA	LEFT FOOTBOARD COVER	COUVRE MARCHEPIED GAU.	LINKE FUSSBRETTDECKEL
21	12735410/0	6	VITE	SCREW	VIS	SCHRAUBE
22	12735402/0	4	VITE	SCREW	VIS	SCHRAUBE
23	12728680/0	1	VITE	SCREW	VIS	SCHRAUBE
24	12523040/0	5	ROSETTA	WASHER	RONDELLE	SCHEIBE
25	12523050/0	4	ROSETTA	WASHER	RONDELLE	SCHEIBE
31	82000207/0	1	ACCELERATORE	ACCELERATOR	ACCELERATEUR	GAS ZUG
32	12788512/0	2	VITE	SCREW	VIS	SCHRAUBE
33	12581200/0	2	GROWER	GROWER	GROWER	GROWER
34	25394501/0	1	MANOPOLINA	HANDLE	POIGNE	GRIF
35	12726388/0	1	VITE	SCREW	VIS	SCHRAUBE
36	12290800/0	1	DADO	NUT	ECROU	MUTTER
41	25722453/1	1	SEDILE	SEAT	SIEGE	SITZ
42	25785114/0	1	SUPPORTO	SUPPORT	SUPPORT	HALTER
43	25547033/0	1	PIASTRA	PLATE	PLAQUE	PLATTE
44	12793101/0	4	VITE	SCREW	VIS	SCHRAUBE
45	12583500/0	4	GROWER	GROWER	GROWER	GROWER
46	12523060/0	4	RONDELLA	WASHER	RONDELLE	SCHEIBE
51	25961201/0	1	VOLANTE	STEERING WHEEL	VOLANT	LENKRAD
52	12620299/0	1	SPINA	PIN	GOUPILLE	STIFT
61	☛	1	COPERTURA	COVER	COUVRE	KAPPE
	25110179/0		ROSSO	RED	ROUGE	ROT
	25110199/0		VERDE	GREEN	VERT	GRÜN
	25110200/0		GIALLO	YELLOW	JAUNE	GELB
	25110201/0		BLU	BLUE	BLEU	BLAU
	25110153/0		ARANCIONE	ORANGE	ORANGE	DUNKELORANGE
62	25600033/0	1	PROTEZIONE DESTRA, NERA	RIGHT GUARD, BLACK	PROTECTION DROITE, NOIR	RECHTE SCHUTZE, SCHWARZ
63	25600034/0	1	PROTEZIONE SINISTRA, NERA	LEFT GUARD, BLACK	PROTECTION GAUCHE, NOIR	LINKE SCHUTZE, SCHWARZ
64	12735402/0	6	VITE	SCREW	VIS	SCHRAUBE
65	12734995/0	2	VITE	SCREW	VIS	SCHRAUBE
66	12735402/0	2	VITE	SCREW	VIS	SCHRAUBE
67	12735402/0	3	VITE	SCREW	VIS	SCHRAUBE
68	12735402/0	4	VITE	SCREW	VIS	SCHRAUBE
71	☛	1	COPERTURA SACCO	GRASS-CATCHER COVER	COUVRE-BAC	SACKKAPPE
	25110178/1		ROSSO	RED	ROUGE	ROT
	25110196/1		VERDE	GREEN	VERT	GRÜN
	25110197/1		GIALLO	YELLOW	JAUNE	GELB
	25110198/1		BLU	BLUE	BLEU	BLAU
	25110154/1		ARANCIONE	ORANGE	ORANGE	DUNKELORANGE
72	12729601/0	4	VITE	SCREW	VIS	SCHRAUBE
73	12521331/0	4	RONDELLA	WASHER	RONDELLE	SCHEIBE
81	25600020/0	1	PROTEZIONE SUPERIORE	UPPER GUARD	PROTECTION SUPERIEUR	OBERSCHUTZ
82	25600021/1	1	PROTEZIONE INFERIORE	LOWER GUARD	PROTECTION INFERIEUR	UNTERSCHUTZ
83	12728460/0	2	VITE	SCREW	VIS	SCHRAUBE
84	12521320/0	2	ROSETTA	WASHER	RONDELLE	SCHEIBE
85	12437502/0	2	PIASTRINA	PLATE	PLAQUE	PLÄTTE
91	25735116/1	1	SERBATOIO	TANK	RESERVOIR	TANK
92	25795000/0	1	TAPPO	CAP	BOUCHON	TANKVERSCHLUSS
93	25774258/0	1	SUPPORTO	SUPPORT	SUPPORT	HALTER
94	12735110/0	1	VITE	SCREW	VIS	SCHRAUBE

J92**JP92****JT92****JR92****J92 hy.****JP92 hy.****JT92 hy.****JR92 hy.**
STERZO
STEERING
BARRE DE DIRECTION
LENKGETRIEBE

2000

003.0

1 / 2


 EDIPROM
 9932.03

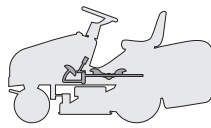
N.	CODE	Q.TY	DESCRIZIONE	DESCRIPTION	DESCRIPTION	BESCHREIBUNG
1	82034008/0	1	BILANCIERE COMPLETO DI BOCCOLA ED INGRASSATORE	EQUALIZER WITH BUSH AND LUBRICATOR	BALANCIER AVEC DOULIIE ET GRAISSEUR	KIPPHEBEL MIT BÜCHSE UND FETTBUCHSE
2	25034002/1	4	BOCCOLA	BUSH	DOUILLE	BÜCHSE
3	12379511/0	2	INGRASSATORE	GREASE DISPENSER	GRAISSEUR	FETTBUCHSE
4	82230355/0	1	FUSELLO DESTRO	RIGHT STUB AXLE	FUSEAU DROITE	RECHTER ACHSSCHENKEL
5	12001000/0	1	ANELLO ELASTICO	SNAP RING	ANNEAU RESSORT	SPRENGRING
6	82230357/0	1	FUSELLO SINISTRO	LEFT STUB AXLE	FUSEAU GAUCHE	LINKER ACHSSCHENKEL
7	25840006/0	1	TIRANTE COLLEG. FUSELLI	TIE ROD	TIRANT	SPANNSTANGE
8	22746600/0	2	SNODO	JOINT	JOINT	GELENK
9	12295200/0	2	DADO	NUT	ECROU	MUTTER
10	12585100/0	2	GROWER	GROWER	GROWER	GROWER
11	25318142/0	1	LEVA	LEVER	LEVIER	HEBEL
12	12692390/0	1	VITE	SCREW	VIS	SCHRAUBE
13	12156602/0	1	DADO	NUT	ECROU	MUTTER
14	25160016/0	1	DISTANZIALE	SPACER	ENTRETOISE	ENTFERNUNGSSTÜCK
15	12692695/0	1	VITE	SCREW	VIS	SCHRAUBE
16	12523100/0	2	RONDELLA	WASHER	RONDELLE	SCHEIBE
17	12587100/0	1	GROWER	GROWER	GROWER	GROWER
18	12295300/0	1	DADO	NUT	ECROU	MUTTER
31	25785101/0	1	SUPPORTO	SUPPORT	SUPPORT	HALTER
32	12792611/0	4	VITE	SCREW	VIS	SCHRAUBE
33	12155000/0	4	DADO	NUT	ECROU	MUTTER
34	82785101/0	1	SUPPORTO	SUPPORT	SUPPORT	HALTER
35	12735120/0	4	VITE	SCREW	VIS	SCHRAUBE
36	25038003/0	1	BOCCOLA	BUSH	DOUILLE	BÜCHSE
37	25520003/0	1	PIANTONE	STEERING COLUMN	TUBE DE DIRECTION	LENKUNGSÄULE
38	25570000/0	1	PIGNONE	PINION	PIGNON	RITZEL
39	12622650/0	1	SPINA	PIN	GOUPILLE	STIFT



N.	CODE	Q.TY	DESCRIZIONE	DESCRIPTION	DESCRIPTION	BESCHREIBUNG
40	12521370/0	1	RONDELLA	WASHER	RONDELLE	SCHEIBE
41	12436030/0	1	PIASTRINA	PLATE	PLAQUETTE	PLATTECHEN
42	25040617/0	1	BUSSOLA	BUSH	DOUILLE	BÜCHSE
43	25510043/0	1	PRIGIONIERO	STUB SCREW	PRISSONIER	STIFTSCHIEBE
44	12295200/0	2	DADO	NUT	ECROU	MUTTER
45	25670012/0	2	RONDELLA	WASHER	RONDELLE	SCHEIBE
46	25735507/0	1	SETTORE	STEERING SHAFT	ARBRE DIRECTION	LENKUNGSWELLE
47	25670014/0	1	RONDELLA	WASHER	RONDELLE	SCHEIBE
48	22160400/0	1	DISCO ELASTICO	ELASTIC WASHER	DISQUE ELASTIQUE	FEDERSCHIEBE
49	12521360/0	1	ROSETTA	WASHER	RONDELLE	SCHEIBE
50	12156602/0	1	DADO	NUT	ECROU	MUTTER
51	22672150/0	2	RONDELLA	WASHER	RONDELLE	SCHEIBE
52	12523090/0	1	RONDELLA	WASHER	RONDELLE	SCHEIBE
53	12585100/0	1	GROWER	GROWER	GROWER	GROWER
54	12295200/0	1	DADO	NUT	ECROU	MUTTER
55	25033025/0	1	ASTA COM. STERZO	STEERING ROD DIRECTION	LEVIER BARRE DE DIRECTION	LENKUNGSSTAB
56	22746600/0	2	SNODO	JOINT	JOINT	GELENK
57	12585100/0	2	GROWER	GROWER	GROWER	GROWER
58	12295200/0	2	DADO	NUT	ECROU	MUTTER
59	25600036/0	1	PROTEZIONE MICRO	MICRO PROTECTION	PROTECTION MICRO	SCHUTZ
60	12727810/0	2	VITE	SCREW	VIS	SCHRAUBE
61	12521330/0	2	RONDELLA (JT)	WASHER (JT)	RONDELLE (JT)	SCHEIBE (JT)
71	☛	2	RUOTA ANTERIORE	FRONT WHEEL	ROUE AVANT	VORDERRAD
	82680002/1		TURF SAVER CARLISLE	TURF SAVER CARLISLE	TURF SAVER CARLISLE	TURF SAVER CARLISLE
	82680005/1		DELI TIRE	DELI TIRE	DELI TIRE	DELI TIRE
72	82000590/0	2	CERCHIO RUOTA	RIMM	BANDAGE ROUE	VORDERRAD FELGER
73	25122200/1	4	CUSCINETTO	BEARING	ROULEMENT	LAGER
74	☛	2	PNEUMATICO	SHOE	PNEU	REIFEN
	25590000/0		TURF SAVER CARLISLE	TURF SAVER CARLISLE	TURF SAVER CARLISLE	TURF SAVER CARLISLE
	25590002/0		DELI TIRE	DELI TIRE	DELI TIRE	DELI TIRE
75	25670005/1	2	RONDELLA	WASHER	RONDELLE	SCHEIBE
76	12001000/0	2	ANELLO ELASTICO	SNAP RING	ANNEAU RESSORT	SPRENGRING
77	22110230/0	2	COPRIMOZZO	HUB COVER	COUVRE MOYEU	NABEDECKEL
78	25950002/0	2	VALVOLA	VALVE	SOUPAPE	VENTIL
79	82110252/0	2	COPRIMOZZO	HUB COVER	COUVRE MOYEU	NABEDECKEL

J92 JP92 JT92 JR92

J92 hy. JP92 hy. JT92 hy. JR92 hy.

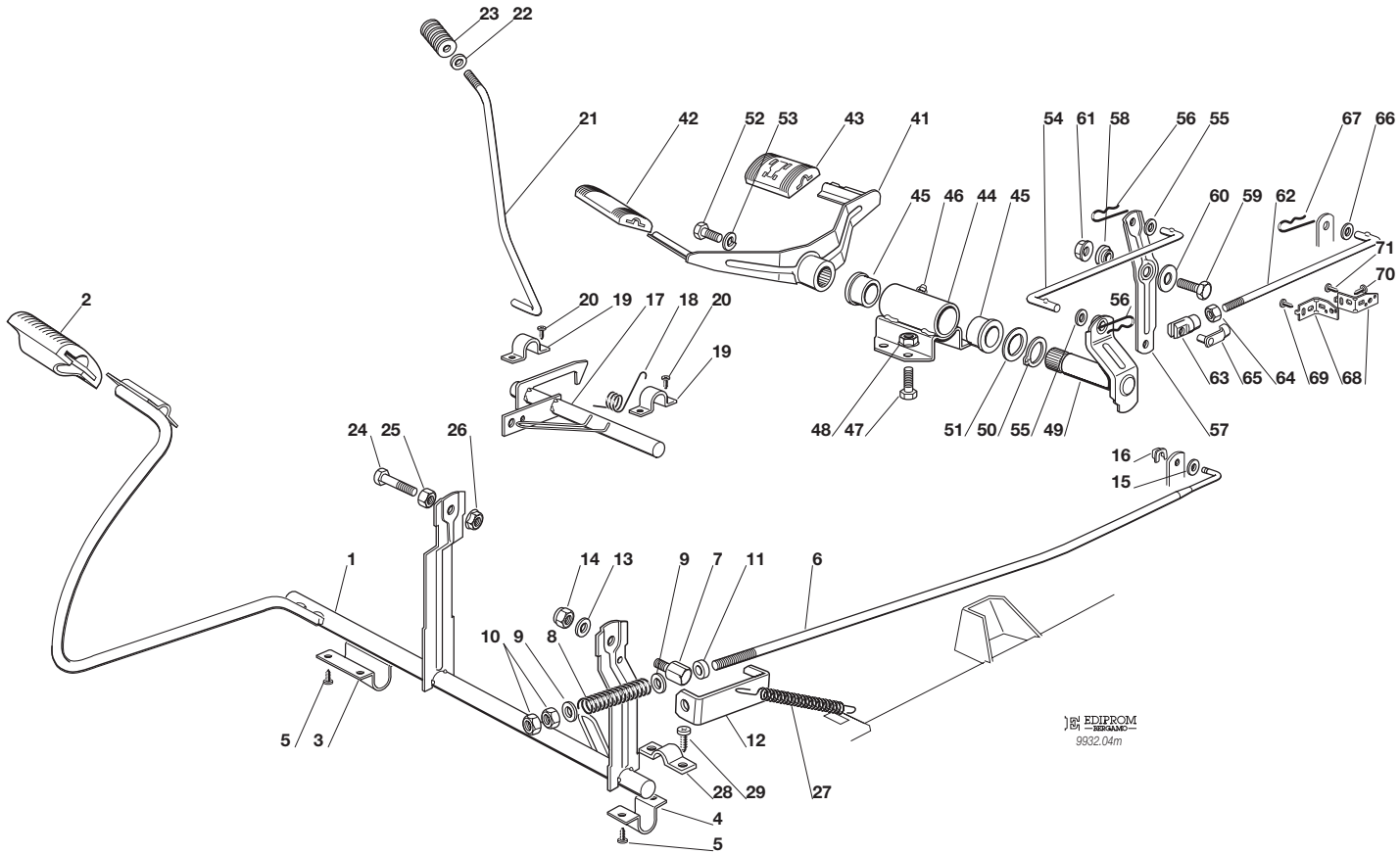


COMANDO TRASMISSIONE E FRENO
DRIVE AND BRAKE CONTROLS
COMMANDE TRANSMISSION ET FREIN
GETRIEBE UND BREMSE ANTRIEB

2000

004Y.0

1 / 2

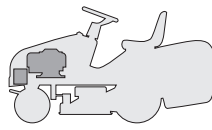


EDIPROM
9932.04m

N.	CODE	Q.TY	DESCRIZIONE	DESCRIPTION	DESCRIPTION	BESCHREIBUNG
1	82500002/1	1	PEDALE	PEDAL	PEDAL	PEDAL
2	25110267/0	1	COPRISTAFFA	CLAMP COVER	COUVRE ETRIER	BRIDEDECKEL
3	25547039/0	1	PIASTRINA DESTRA	RIGHT PLATE	PLAQUE DROITE	RECHTE PLATTE
4	25547041/0	1	PIASTRINA SINISTRA	LEFT PLATE	PLATE GAUCHE	LINKE PLATTE
5	12731601/0	6	VITE	SCREW	VIS	SCHRAUBE
6	25033036/0	1	ASTA	ROD	BARRE	STANGE
7	25510060/0	1	PERNO	PIN	PIVOT	BOLZEN
8	25430236/0	1	MOLLA	SPRING	RESSORT	FEDER
9	12521360/0	2	ROSETTA	WASHER	RONDELLE	SCHEIBE
10	12295200/0	2	DADO	NUT	ECROU	MUTTER
11	25160026/0	1	DISTANZIALE	SPACER	ENTRETOISE	ENTFERNUNGSSTÜCK
12	25774275/0	1	STAFFA	CLAMP	ETRIER	BRIDE
13	12523050/0	1	RONDELLA	WASHER	RONDELLE	SCHEIBE
14	12154510/0	1	DADO	NUT	ECROU	MUTTER
15	12521350/0	1	RONDELLA	WASHER	RONDELLE	SCHEIBE
16	12436050/0	1	PIASTRINA	PLATE	PLAQUE	PLATTE
17	82000361/0	1	ASSE AZIONAM. MICRO	AXLE	AXE	ACHSE
18	25430234/0	1	MOLLA	SPRING	RESSORT	FEDER
19	25547049/0	2	PIASTRINA	PLATE	PLAQUE	PLATTE
20	12731601/0	4	VITE	SCREW	VIS	SCHRAUBE
21	25033021/0	1	ASTA	ROD	BARRE	STANGE
22	12604898/0	1	ROSETTA	WASHER	RONDELLE	SCHEIBE
23	25394500/1	1	MANOPOLA	KNOB	POIGNEE	KNOPF
24	12793701/0	1	VITE	SCREW	VIS	SCHRAUBE
25	12293200/0	1	DADO	NUT	ECROU	MUTTER
26	12293201/0	1	DADO	NUT	ECROU	MUTTER
27	25430210/0	1	MOLLA	SPRING	RESSORT	FEDER
28	22545152/0	1	PIASTRINA	PLATE	PLAQUE	PLATTE
29	12735104/0	2	VITE	SCREW	VIS	SCHRAUBE
41	82500008/0	1	PEDALE AVANZAMENTO	DRIVE PEDAL	PEDALE TRANSMISSION	GETRIEBEPEDAL



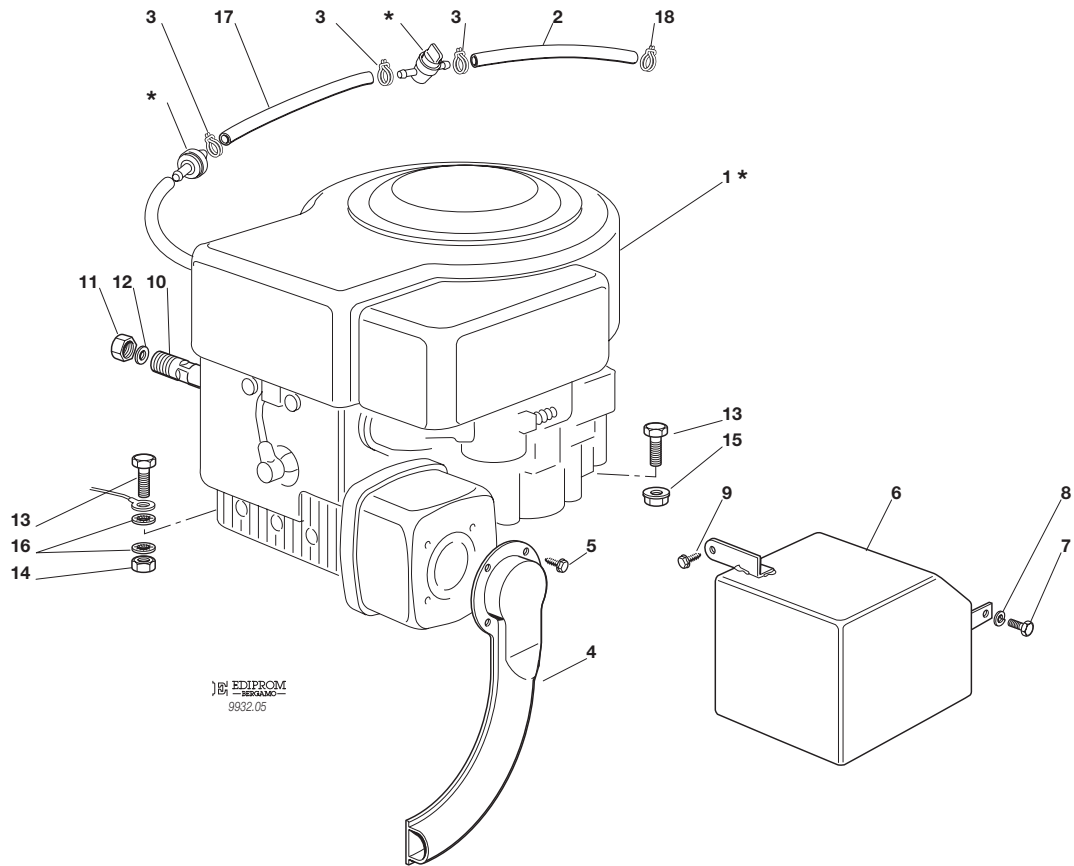
N.	CODE	Q.TY	DESCRIZIONE	DESCRIPTION	DESCRIPTION	BESCHREIBUNG
42	25110265/0	1	COPRISTAFFA ANTERIORE	CLAMP COVER FRONT	COUVRE ETRIER AVANT	BRIDEDECKEL VORDE
43	25110266/0	1	COPRISTAFFA POSTERIORE	CLAMP COVER REAR	COUVRE ETRIER ARRIERE	BRIDEDECKEL HINTER
44	82785079/0	1	SUPPORTO	SUPPORT	SUPPORT	HALTER
45	25034002/1	2	BRONZINA	BUSH	DOUILLE	BÜCHSE
46	12379511/0	1	INGRASSATORE	GREASE DISPENSER	GRAISSEUR	FETTBUCHSE
47	12791011/0	2	VITE	SCREW	VIS	SCHRAUBE
48	12292102/0	2	DADO	NUT	ECROU	MUTTER
49	82318153/0	1	LEVA	GEARSHIFT	LEVIER	HEBEL
50	12609260/0	1	SEEGER	SEEGER	SEEGER	SEEGER
51	22672153/0	1	RONDELLA	WASHER	RONDELLE	SCHEIBE
52	12792612/0	1	VITE	SCREW	VIS	SCHRAUBE
53	12583501/0	1	GROWER	GROWER	GROWER	GROWER
54	25840008/1	1	TIRANTE	ROD	BARRE	STANGE
55	12521350/0	2	RONDELLA	WASHER	RONDELLE	SCHEIBE
56	24487997/0	2	COPPIGLIA	COTTER PIN	GOUPILLE	SPLIT
57	25318146/0	1	LEVA	GEARSHIFT	LEVIER	HEBEL
58	25038002/1	1	BOCCOLA	BUSH	DOUILLE	BÜCHSE
59	12793101/0	1	VITE	SCREW	VIS	SCHRAUBE
60	12523060/0	1	RONDELLA	WASHER	RONDELLE	SCHEIBE
61	12293201/0	1	DADO	NUT	ECROU	MUTTER
62	25840009/0	1	ASTA	ROD	BARRE	STANGE
63	18399001/0	1	FORCELLA	FORK	FOURCHE	GABEL
64	12293200/0	1	DADO	NUT	ECROU	MUTTER
65	18210201/0	1	CLIP	CLIP	CLIP	SPERRBOLZEN
66	12521350/0	1	RONDELLA	WASHER	RONDELLE	SCHEIBE
67	24487997/0	1	COPPIGLIA	COTTER PIN	GOUPILLE	SPLIT
68	25774255/0	2	STAFFA	BRACKET	ETRIER	BRIDE
69	12735110/0	2	VITE	SCREW	VIS	SCHRAUBE
70	12735110/0	1	VITE	SCREW	VIS	SCHRAUBE
71	12735140/0	2	VITE	SCREW	VIS	SCHRAUBE

J92**JP92****JT92****JR92****J92 hy.****JP92 hy.****JT92 hy.****JR92 hy.**
MOTORE
ENGINE
MOTEUR
MOTOR
10,5 - 12 - 12,5 - 13 HP B&S

2000

005.0

1 / 1



N.	CODE	Q.TY	DESCRIZIONE	DESCRIPTION	DESCRIPTION	BESCHREIBUNG
1*	—	1	MOTORE	ENGINE	MOTEUR	MOTOR
2	25869016/0	1	TUBO COLLEGAMENTO	CONNECTING TUBE	TUBE DE CONNEXION	VERBINDUNGSROHR
3	18375051/1	3	FASCETTA	FAIR LED	FIXATION DE CABLE	KABELBEFESTIGUNG
4	82640001/1	1	RACCORDO SCARICO	EXHAUST CONNECTION	CONNEXION ECHAPPEMENT	AUSPUFFANSCHLUSS
5	12735106/0	4	VITE	SCREW	VIS	SCHRAUBE
6	82598001/0	1	PROTEZIONE SILENZIATORE	MUFFLER PROTECTION	PROTECTION SILENCIEUX	AUSPUFFSCHUTZ
7	12735510/0	1	VITE	SCREW	VIS	SCHRAUBE
8	12582100/0	1	GROWER	GROWER	GROWER	GROWER
9	12735104/0	1	VITE	SCREW	VIS	SCHRAUBE
10	25598050/0	1	PROLUNGA SCARICO OLIO	OIL DISCHARGE EXTENSION	EXTENSION RALLONGE DE DECH. HUILE	ÖL ENTLEERUNGSVERLAEN- GERUNG
11	18737849/0	1	TAPPO PER PROLUNGA	OIL CAP	BOUCHON HUILE	OELVERSCHLUSS
12	18401001/0	1	GUARNIZIONE	OIL SEAL	GARNITURE	DICHTUNG
13	12691115/0	4	VITE	SCREW	VIS	SCHRAUBE
14	12293200/0	1	DADO	NUT	ECROU	MUTTER
15	12293201/0	3	DADO	NUT	ECROU	MUTTER
16	12540260/0	2	RONDELLA	WASHER	RONDELLE	SCHIBE
17	25869006/0	1	TUBO COLLEGAMENTO	CONNECTING TUBE	TUBE DE CONNEXION	VERBINDUNGSROHR
18	18375053/0	1	FASCETTA	FAIR LED	FIXATION DE CABLE	KABELBEFESTIGUNG

PER LA SOSTITUZIONE DELLE PARTI CONTRASSEGNALE CON «*» RIVOLGERSI AL SERVIZIO ASSISTENZA DEL COSTRUTTORE DEL MOTORE.
 TO REPLACE THE PARTS MARKED «*» SEEK ASSISTANCE FROM THE ENGINE MANUFACTURER'S AFTER SALES SERVICE.

POUR LE REMPLACEMENT DES PIÈCES MARQUÉES AVEC «*» S'ADRESSER AU SERVICE APRÈS VENTES DU CONSTRUCTEUR DU MOTEUR.
 ZUM AUSTAUSCH DER MIT «*» GEKENNZEICHNETEN TEILE, WENDEN SIE SICH AN DEN KUNDENDIENST DES HERSTELLERS DES MOTOR.

J92

JP92

JT92

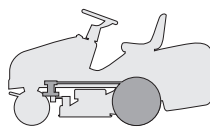
JR92

J92 hy.

JP92 hy.

JT92 hy.

JR92 hy.

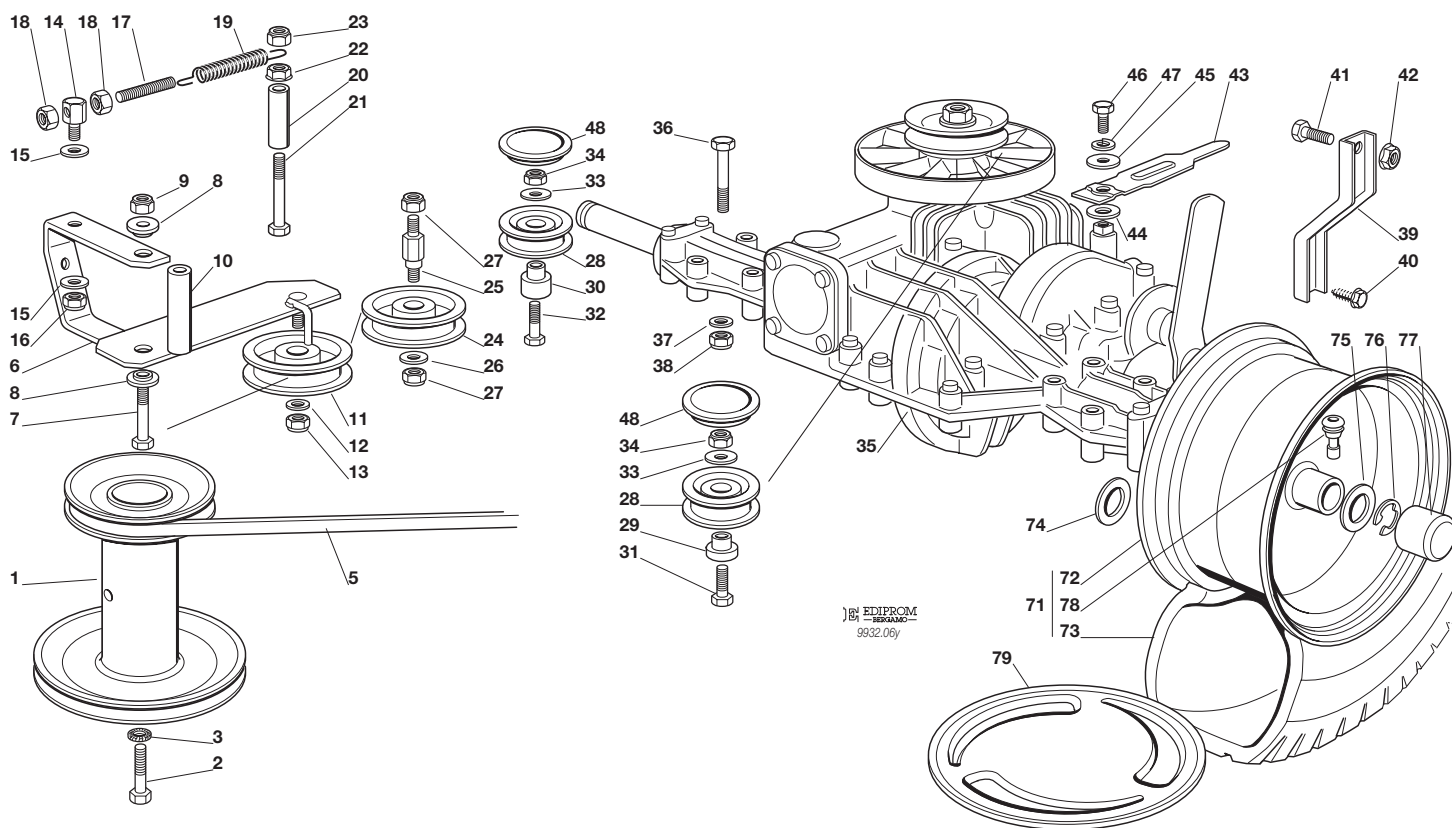


**TRASMISSIONE
TRANSMISSION
TRANSMISSION
GETRIEBE**

2000

006Y.0

1 / 2



EDIPROM
9932.06y

N.	CODE	Q.TY	DESCRIZIONE	DESCRIPTION	DESCRIPTION	BESCHREIBUNG
1	25601548/1	1	PULEGGIA	PULLEY	POULIE	RIEMENSCHLEIBE
2	12737310/0	1	VITE	SCREW	VIS	SCHRAUBE
3	12543000/0	1	ROSETTA	WASHER	RONDELLE	SCHLEIBE
5	35062010/0	1	CINGHIA	BELT	COURROIE	RIEMEN
6	82318133/0	1	LEVA	LEVER	LEVIER	HEBEL
7	12692080/0	1	VITE	SCREW	VIS	SCHRAUBE
8	25038002/1	2	BOCCOLA	BUSH	DOUILLE	BÜCHSE
9	12155000/0	1	DADO	NUT	ECROU	MUTTER
10	25160017/0	1	DISTANZIALE	SPACER	ENTRETOISE	ENTFERNUNGSSTÜCK
11	25601554/0	1	PULEGGIA	PULLEY	POULIE	RIEMENSCHLEIBE
12	12523060/0	1	RONDELLA	WASHER	RONDELLE	SCHLEIBE
13	12155000/0	1	DADO	NUT	ECROU	MUTTER
14	25510040/1	1	PERNO	PIN	PIVOT	BOLZEN
15	25670011/0	2	RONDELLA	WASHER	RONDELLE	SCHLEIBE
16	12155000/0	1	DADO	NUT	ECROU	MUTTER
17	25840005/0	1	TIRANTE	TIE ROD	TIRANT	SPANNSTANGE
18	12293200/0	2	DADO	NUT	ECROU	MUTTER
19	25430219/0	1	MOLLA	SPRING	RESSORT	FEDER
20	25160008/0	1	DISTANZIALE	SPACER	ENTRETOISE	ENTFERNUNGSSTÜCK
21	12692050/0	1	VITE	SCREW	VIS	SCHRAUBE
22	12293201/0	1	DADO	NUT	ECROU	MUTTER
23	12155000/0	1	DADO	NUT	ECROU	MUTTER
24	25601555/0	1	PULEGGIA	PULLEY	POULIE	RIEMENSCHLEIBE
25	25510036/0	1	PERNO	PIN	PIVOT	BOLZEN
26	12523060/0	1	RONDELLA	WASHER	RONDELLE	SCHLEIBE
27	12155000/0	2	DADO	NUT	ECROU	MUTTER
28	25601558/1	2	PULEGGIA	PULLEY	POULIE	RIEMENSCHLEIBE
29	25160018/0	1	DISTANZIALE SINISTRO	LEFT SPACER	ENTRETOISE GAUCHE	LINKER ENTFERNUNGSSTÜCK
30	25160014/0	1	DISTANZIALE DESTRO	RIGHT SPACER	ENTRETOISE DROITE	RECHTER ENTFERNUNGSSTÜCK

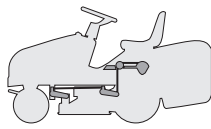


N.	CODE	Q.TY	DESCRIZIONE	DESCRIPTION	DESCRIPTION	BESCHREIBUNG
31	12691100/0	1	VITE SINISTRA	LEFT SCREW	VIS GAUCHE	LINKE SCHRAUBE
32	12691200/0	1	VITE DESTRA	RIGHT SCREW	VIS DROITE	RECHTE SCHRAUBE
33	12523060/0	2	RONDELLA	WASHER	RONDELLE	SCHEIBE
34	12155000/0	2	DADO	NUT	ECROU	MUTTER
35	18400920/1	1	ASSE POSTERIORE	REAR AXLE	AXE ARRIERE	HINTERACHSE
36	12691800/0	4	VITE	SCREW	VIS	SCHRAUBE
37	12521350/0	4	RONDELLA	WASHER	RONDELLE	SCHEIBE
38	12155000/0	4	DADO	NUT	ECROU	MUTTER
39	25774247/0	2	STAFFA	CLAMP	ETRIER	BRIDE
40	12735150/0	2	VITE	SCREW	VIS	SCHRAUBE
41	12792610/0	2	VITE	SCREW	VIS	SCHRAUBE
42	12293201/0	2	DADO	NUT	ECROU	MUTTER
43	25318149/0	1	LEVA	LEVER	LEVIER	HEBEL
44	12521370/0	1	RONDELLA	WASHER	RONDELLE	SCHEIBE
45	12523050/0	1	RONDELLA	WASHER	RONDELLE	SCHEIBE
46	12735520/0	1	VITE	SCREW	VIS	SCHRAUBE
47	12582100/0	1	GROWER	GROWER	GROWER	GROWER
48	25109521/0	2	COPERCHIO	COVER	COUVERCLE	DECKEL
71	 82680003/0	2	RUOTA POSTERIORE TURF SAVER CARLISLE	REAR WHEEL TURF SAVER CARLISLE	ROUE ARRIERE TURF SAVER CARLISLE	HINTERRAD TURF SAVER CARLISLE
	82680006/0		DELI TIRE	DELI TIRE	DELI TIRE	DELI TIRE
72	82000592/0	2	CERCHIO RUOTA	RIMM	BANDAGE ROUE	HINTRERRAD FELGER
73	 25590001/0	2	PNEUMATICO TURF SAVER CARLISLE	SHOE TURF SAVER CARLISLE	PNEU TURF SAVER CARLISLE	REIFEN TURF SAVER CARLISLE
	25590003/0		DELI TIRE	DELI TIRE	DELI TIRE	DELI TIRE
74	12521410/0	4	RONDELLA	WASHER	RONDELLE	SCHEIBE
75	25670005/1	2	RONDELLA	WASHER	RONDELLE	SCHEIBE
76	12001010/0	2	ANELLO ELASTICO	SNAP RING	ANNEAU RESSORT	SPRENGRING
77	22110230/0	2	COPRIMOZZO	HUB COVER	COUVRE MOYEU	NABEDECKEL
78	25950000/0	2	VALVOLA	VALVE	SOUPAPE	VENTIL
79	82110253/0	2	COPRIMOZZO	HUB COVER	COUVRE MOYEU	NABEDECKEL

PER LA SOSTITUZIONE IN GARANZIA DELLE PARTI CONTRASSEGNAE CON «*» RIVOLGERSI AL SERVIZIO ASSISTENZA DEL COSTRUTTORE (TECUMSEH).

TO REPLACE UNDER GUARANTEE THE PARTS MARKED «*» SEEK ASSISTANCE FROM MANUFACTURER'S AFTER SALES SERVICE (TECUMSEH).
POUR LE REMPLACEMENT, SOUS GARANTIE DES PIÈCES MARQUÉES AVEC «*» S'ADRESSER AU SERVICE APRÈS VENTES DU CONSTRUCTEUR (TECUMSEH).

ZUM AUSTAUSCH DER MIT «*» GEKENNZEICHNETEN TEILE IM RAHMEN DER GARANTIE, WENDEN SIE SICH AN DEN KUNDENDIENST DES HERSTELLERS (TECUMSEH).

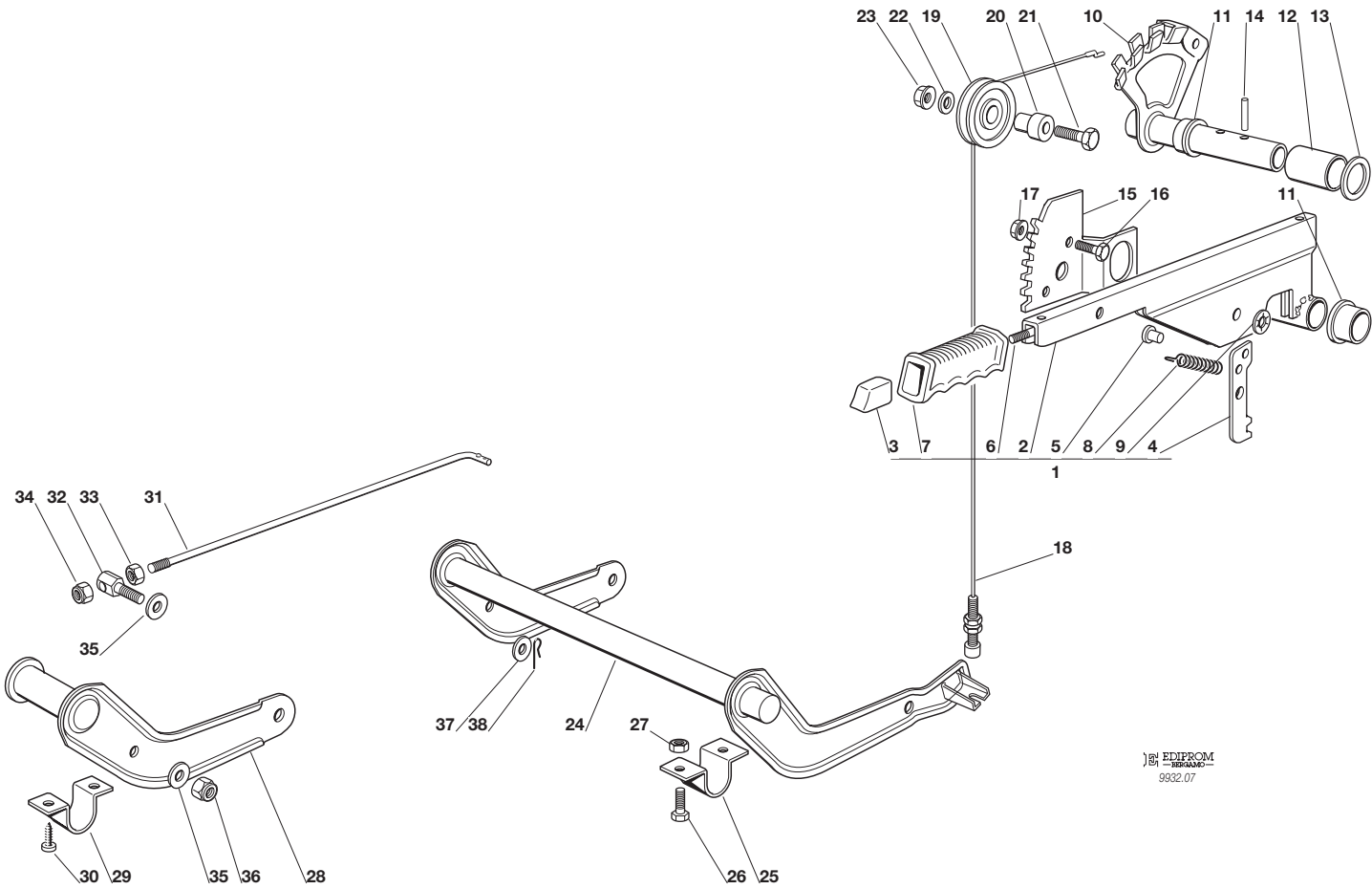
J92**JP92****JT92****JR92****J92 hy.****JP92 hy.****JT92 hy.****JR92 hy.**

SOLLEVAMENTO PIATTO DI TAGLIO
CUTTING PLATE LIFTING
SOULEVEMENT PLATEAU DE COUPE
SCHNEIDWERKZEUG AUFHEBESATZ

2000

007.0

1 / 2



EDIPROM
9932.07

N.	CODE	Q.TY	DESCRIZIONE	DESCRIPTION	DESCRIPTION	BESCHREIBUNG
1	82300002/0	1	ASSIEME LEVA (2÷9)	LEVER ASS.Y (2÷9)	ENS. LEVIER (2÷9)	SCHNEIDWERKZEUG AUFHEBENHEBEL (2÷9)
2	82318139/0	1	LEVA	LEVER	LEVIER	HEBEL
3	25605000/1	1	PULSANTE	BUTTON	POUSSOIR	DRUCKKNOPF
4	25470901/0	1	NASELLO	DOG	DECLIC	NASE
5	25510011/0	1	PERNO	PIN	PIVOT	BOLZEN
6	25033002/0	1	ASTA	ROD	TIGE	STAB
7	25394504/0	1	MANOPOLA	KNOB	POIGNEE	GRIFF
8	25430208/0	1	MOLLA	SPRING	RESSORT	FEDER
9	12604899/0	1	RONDELLA	WASHER	RONDELLE	SCHEIBE
10	82000403/0	1	ASSE	AXLE	AXE	ACHSE
11	22034523/0	2	BOCCOLA	BUSH	DOUILLE	BÜCHSE
12	25160013/0	1	DISTANZIALE	SPACER	ENTRETOISE	ENTFERNUNGSSTÜCK
13	12521410/0	1	RONDELLA	WASHER	RONDELLE	SCHEIBE
14	12620206/0	2	SPINA	PIN	GOUPILLE	STIFT
15	25735506/1	1	SETTORE	SECTOR	SECTEUR	SEKTOR
16	12792611/0	2	VITE	SCREW	VIS	SCHRAUBE
17	12293201/0	2	DADO	NUT	ECROU	MUTTER
18	82004603/0	1	FILO	WIRE	FIL	KABEL
19	25601557/0	1	PULEGGIA	PULLEY	POULIE	RIEMENSCHLEIBE
20	25510032/0	1	PERNO	PIN	PIVOT	BOLZEN
21	12691400/0	1	VITE	SCREW	VIS	SCHRAUBE
22	12523060/0	1	RONDELLA	WASHER	RONDELLE	SCHEIBE
23	12293201/0	1	DADO	NUT	ECROU	MUTTER
24	82000381/1	1	ASSE SOLLEVAMENTO	AXLE	AXE	ACHSE
25	25547037/0	2	PIASTRINA	PLATE	PLAQUE	PLATTE
26	12791011/0	4	VITE	SCREW	VIS	SCHRAUBE
27	12292102/0	4	DADO	NUT	ECROU	MUTTER
28	82318137/0	1	LEVA	LEVER	LEVIER	HEBEL
29	25547041/0	2	PIASTRINA	PLATE	PLAQUE	PLATTE
30	12731601/0	4	VITE	SCREW	VIS	SCHRAUBE

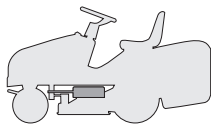
**J92 • JP92 • JT92 • JR92 • J92 hy. • JP92 hy. • JT92 hy. • JR92 hy.**

2000

007.0

2 / 2

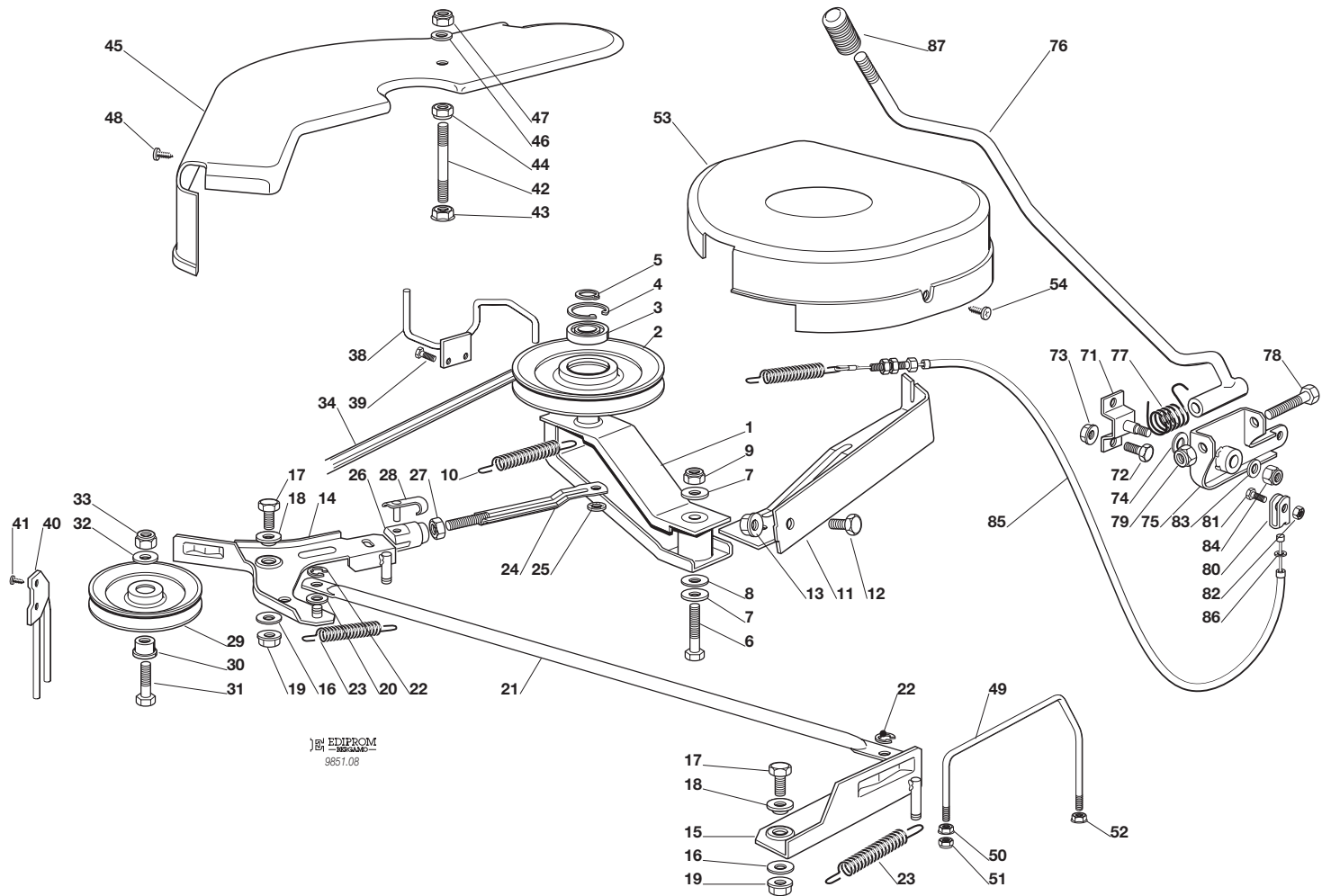
N.	CODE	Q.TY	DESCRIZIONE	DESCRIPTION	DESCRIPTION	BESCHREIBUNG
31	25033013/0	1	ASTA	ROD	TIGE	STAB
32	25510040/1	1	PERNO	PIN	PIVOT	BOLZEN
33	12293200/0	1	DADO	NUT	ECROU	MUTTER
34	12155000/0	1	DADO	NUT	ECROU	MUTTER
35	25670011/0	2	RONDELLA	WASHER	RONDELLE	SCHEIBE
36	12155000/0	1	DADO	NUT	ECROU	MUTTER
37	12521350/0	1	RONDELLA	WASHER	RONDELLE	SCHEIBE
38	24487997/0	1	COPPIGLIA	COTTER PIN	GOUPILLE	SPLIT

J92**JP92****JT92****JR92****J92 hy.****JP92 hy.****JT92 hy.****JR92 hy.**
PIATTO DI TAGLIO (1)
CUTTING PLATE (1)
PLATEAU DE COUPE (1)
SCHNEIDWERKZEUG (1)

2000

008.0

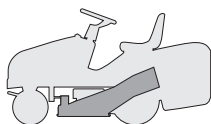
1 / 2


 EDIPROM
 9651.08

N.	CODE	Q.TY	DESCRIZIONE	DESCRIPTION	DESCRIPTION	BESCHREIBUNG
1	82318141/0	1	LEVA	LEVER	LEVIER	HEBEL
2	25601564/0	1	PULEGGIA	PULLEY	POULIE	RIEMENSCHLEIBE
3	19216033/1	1	CUSCINETTO	BEARING	ROULEMENT	KUEGELLAGER
4	12610800/0	1	ANELLO ELASTICO	SNAP RING	ANNEAU RESSORT	SPRENGRING
5	12609200/0	1	ANELLO ELASTICO	SNAP RING	ANNEAU RESSORT	SPRENGRING
6	12691700/0	1	VITE	SCREW	VIS	SCHRAUBE
7	12523070/0	2	RONDELLA	WASHER	RONDELLE	SCHEIBE
8	22672152/0	1	RONDELLA	WASHER	RONDELLE	SCHEIBE
9	12155000/0	1	DADO	NUT	ECROU	MUTTER
10	22450500/0	1	MOLLA	SPRING	RESSORT	FEDER
11	82774215/0	1	STAFFA	CLAMP	BRIDE	BRIDE
12	12792610/0	1	VITE	SCREW	VIS	SCHRAUBE
13	12293201/0	1	DADO	NUT	ECROU	MUTTER
14	82318143/1	1	LEVA DESTRA	RIGHT LEVER	LEVIER DROITE	RECHTE HEBEL
15	82318148/0	1	LEVA SINISTRA	LEFT LEVER	LEVIER GAUCHE	LINKE HEBEL
16	22672152/0	2	RONDELLA	WASHER	RONDELLE	SCHEIBE
17	12792611/0	2	VITE	SCREW	VIS	SCHRAUBE
18	22041980/0	2	BUSSOLA	BUSH	DOUILLE	BÜCHSE
19	12293201/0	2	DADO	NUT	ECROU	MUTTER
20	25670011/0	1	RONDELLA	WASHER	RONDELLE	SCHEIBE
21	25033024/0	1	ASTA	ROD	TIGE	TAB
22	12436050/0	2	PIASTRINA	PLATE	PLAQUE	PLATTE
23	25430229/1	2	MOLLA	SPRING	RESSORT	FEDER
24	82000470/0	1	ASTA	ROD	TIGE	STAB
25	12436050/0	1	PIASTRINA	PLATE	PLAQUE	PLATTE
26	18399000/0	1	FORCELLA	FORK	FOURCHE	GABEL
27	12292100/0	1	DADO	NUT	ECROU	MUTTER
28	18210200/0	1	CLIP	CLIP	CLIP	SPERRBOLZEN
29	25601555/0	1	PULEGGIA	PULLEY	POULIE	RIEMENSCHLEIBE
30	25160007/0	1	DISTANZIALE	SPACER	ENTRETOISE	ENTFERNUNGSSTÜCK
31	12691100/0	1	VITE	SCREW	VIS	SCHRAUBE



N.	CODE	Q.TY	DESCRIZIONE	DESCRIPTION	DESCRIPTION	BESCHREIBUNG
32	12523060/0	1	RONDELLA	WASHER	RONDELLE	SCHEIBE
33	12155000/0	1	DADO	NUT	ECROU	MUTTER
34	35065700/0	1	CINGHIA	BELT	COURROIRE	KEILRIEMEN
38	25270301/0	1	GUIDACINGHIA	BELT GUIDE	GUIDE DE COURROIRE	RIEMENFÜHRUNG
39	12729601/0	2	VITE	SCREW	VIS	SCHRAUBE
40	25270304/1	1	GUIDACINGHIA	BELT GUIDE	GUIDE DE COURROIRE	RIEMENFÜHRUNG
41	12731601/0	2	VITE	SCREW	VIS	SCHRAUBE
42	25580007/0	1	PRIGIONIERO	STUD SCREW	PRISONNIER	STIFTSCHIBE
43	12293201/0	1	DADO	NUT	ECROU	MUTTER
44	12155000/0	1	DADO	NUT	ECROU	MUTTER
45	25060102/0	1	CARTER	CASE	CARTER	BLECH
46	12523060/0	1	RONDELLA	WASHER	RONDELLE	SCHEIBE
47	12155000/0	1	DADO	NUT	ECROU	MUTTER
48	12735110/0	2	VITE	SCREW	VIS	SCHRAUBE
49	25270305/0	1	GUIDACINGHIA	BELT GUIDE	GUIDE DE COURROIRE	RIEMENFÜHRUNG
50	12293201/0	1	DADO	NUT	ECROU	MUTTER
51	12155000/0	1	DADO	NUT	ECROU	MUTTER
52	12292102/0	1	DADO	NUT	ECROU	MUTTER
53	25060103/0	1	CARTER	CASE	CARTER	BLECH
54	12735110/0	2	VITE	SCREW	VIS	SCHRAUBE
71	82785073/0	1	SUPPORTO	SUPPORT	SUPPORT	HALTER
72	12792611/0	2	VITE	SCREW	VIS	SCHRAUBE
73	12293201/0	2	DADO	NUT	ECROU	MUTTER
74	22672151/0	1	RONDELLA	WASHER	RONDELLE	SCHEIBE
75	82774204/1	1	STAFFA	CLAMP	BRIDE	BRIDE
76	82318135/0	1	LEVA	LEVER	LEVIER	HEBEL
77	25430227/0	1	MOLLA	SPRING	RESSORT	FEDER
78	12692050/0	1	VITE	SCREW	VIS	SCHRAUBE
79	12155000/0	1	DADO	NUT	ECROU	MUTTER
80	22061337/0	1	CAVALLOTTO	CONNECTING PLATE	PAQUE DE CONNEXION	BUGEL BOLZEN
81	12791213/0	1	VITE	SCREW	VIS	SCHRAUBE
82	12154510/0	1	DADO	NUT	ECROU	MUTTER
83	12523060/0	1	RONDELLA	WASHER	RONDELLE	SCHEIBE
84	12155010/0	1	DADO	NUT	ECROU	MUTTER
85	82004604/1	1	FILO	WIRE	FIL	KABEL
86	12521350/0	1	RONDELLA	WASHER	RONDELLE	SCHEIBE
87	25394503/1	1	MANOPOLA	KNOB	POIGNEE	GRIFF

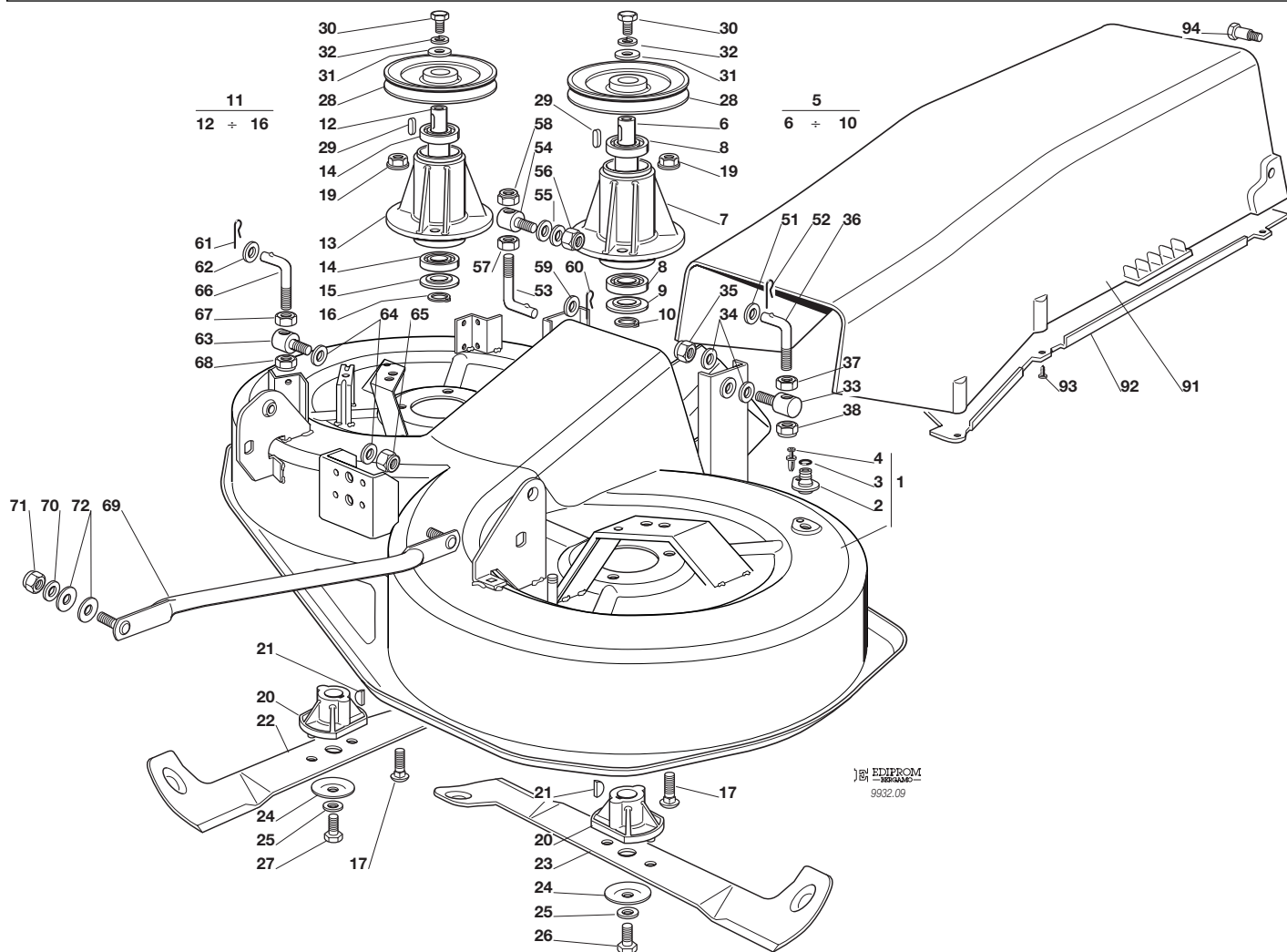
J92**JP92****JT92****JR92****J92 hy.****JP92 hy.****JT92 hy.****JR92 hy.**

PIATTO DI TAGLIO (2)
CUTTING PLATE (2)
PLATEAU DE COUPE (2)
SCHNEIDWERKZEUG (2)

2000

009.0

1 / 2

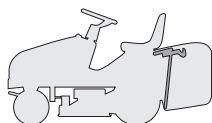


EDIPROM
 9932.09

N.	CODE	Q.TY	DESCRIZIONE	DESCRIPTION	DESCRIPTION	BESCHREIBUNG
1	82564034/1	1	PIATTO	PLATE	PLATEAU	SCHNEID
2	25033060/0	2	ATTACCO	WATER HOSE CONNECTION	RACCORD TUYAU D'EAU	WASSERANSCHLUSS
3	19035000/0	2	ANELLO OR	O RING	O RING	O RING
4	12500030/0	2	RIVETTO	RIVET	RIVET	NIET
5	82207202/0	1	ASS. FLANGIA SINISTRA (6÷10)	LEFT FLANGE ASS.Y (6÷10)	ENS. BRIDE GAUCHE (6÷10)	LINKE NABE, KOMPLETT (6÷10)
6	25020802/0	1	ALBERO	SHAFT	ARBRE	WELLE
7	25207200/0	1	FLANGIA	FLANGE	BRIDE	FLANSCH
8	19216032/0	2	CUSCINETTO	BEARING	ROULEMENT	KUEGELLAGER
9	25160501/0	1	DISCO PARAPOLVERE	DUST COVER	PROTEGE-POUSSIERE	STAUBSCHUTTSCHIEBE
10	12609260/0	1	SEEGER	SEEGER	SEEGER	SEEGER
11	82207203/0	1	ASS. FLANGIA DESTRA (12÷16)	RIGHT FLANGE ASS.Y (12÷16)	ENS. BRIDE DROITE (12÷16)	RECHTE NABE, KOMPLETT (12÷16)
12	25020803/0	1	ALBERO	SHAFT	ARBRE	WELLE
13	25207200/0	1	FLANGIA	FLANGE	BRIDE	FLANSCH
14	19216032/0	2	CUSCINETTO	BEARING	ROULEMENT	KÜGELLAGER
15	25160501/0	1	DISCO PARAPOLVERE	DUST COVER	PROTEGE-POUSSIERE	STAUBSCHUTTSCHIEBE
16	12609260/0	1	SEEGER	SEEGER	SEEGER	SEEGER
17	12818700/0	6	VITE	SCREW	VIS	SCHRAUBE
19	12154210/0	6	DADO	NUT	ECROU	MUTTER
20	25463200/0	2	MOZZO COLTELLO	BLADE HUB	MOYEU LAME	MESSERHALTER
21	12139100/0	2	LINGUETTA	KEY	CLAVETTE	KEIL
22	82004345/0	1	COLTELLO DESTRO	RIGHT BLADE	LAME DROITE	RECHTER MESSER
23	82004344/0	1	COLTELLO SINISTRO	LEFT BLADE	LAME GAUCHE	LINKER MESSER
24	22160400/0	2	DISCO PARAPOLVERE	DUST COVER	PROTEGE-POUSSIERE	STAUBSCHUTTSCHIEBE
25	12523080/0	2	RONDELLA	WASHER	RONDELLE	SCHEIBE
26	12735694/0	1	VITE	SCREW	VIS	SCHRAUBE
27	12735695/1	1	VITE	SCREW	VIS	SCHRAUBE
28	25601563/0	2	PULEGGIA	PULLEY	POULIE	RIEMENSCHIEBE
29	12139480/0	2	CHIAVETTA	KEY	CLAVETTE	KEIL
30	12793102/0	2	VITE	SCREW	VIS	SCHRAUBE



N.	CODE	Q.TY	DESCRIZIONE	DESCRIPTION	DESCRIPTION	BESCHREIBUNG
31	25670007/0	2	RONDELLA	WASHER	RONDELLE	SCHEIBE
32	12583500/0	2	GROWER	GROWER	GROWER	GROWER
33	25510024/0	1	PERNO	PIN	PIVOT	BOLZEN
34	25670008/0	2	RONDELLA	WASHER	RONDELLE	SCHEIBE
35	12156602/0	1	DADO	NUT	ECROU	MUTTER
36	25840003/0	1	TIRANTE	TIE ROD	TIRANT	SPANNSTANGE
37	12295200/0	1	DADO	NUT	ECROU	MUTTER
38	12156602/0	1	DADO	NUT	ECROU	MUTTER
—	82564036/1	1	PIATTO DI TAGLIO ASSEMBLATO	CUTTING PLATE, ASSEMBLED	PLATEAU DE COUPE, COMPLETE	SCHNEIDWERKZEUG, KOMPLETT
			(008.0, 1÷39 + 009.0, 1÷38)	(008.0, 1÷39 + 009.0, 1÷38)	(008.0, 1÷39 + 009.0, 1÷38)	(008.0, 1÷39 + 009.0, 1÷38)
51	25670008/0	1	RONDELLA	WASHER	RONDELLE	SCHEIBE
52	24487997/0	1	COPPIGLIA	COTTER PIN	GOUPILLE	SPLIT
53	25840007/0	1	TIRANTE	TIE ROD	TIRANT	SPANNSTANGE
54	25510024/0	2	PERNO	PIN	PIVOT	BOLZEN
55	25670008/0	2	RONDELLA	WASHER	RONDELLE	SCHEIBE
56	12156602/0	1	DADO	NUT	ECROU	MUTTER
57	12295200/0	1	DADO	NUT	ECROU	MUTTER
58	12156602/0	1	DADO	NUT	ECROU	MUTTER
59	12521360/0	1	RONDELLA	WASHER	RONDELLE	SCHEIBE
60	24487997/0	1	COPPIGLIA	COTTER PIN	GOUPILLE	SPLIT
61	24487997/0	1	COPPIGLIA	COTTER PIN	GOUPILLE	SPLIT
62	25670008/0	1	RONDELLA	WASHER	RONDELLE	SCHEIBE
63	25510024/0	1	PERNO	PIN	PIVOT	BOLZEN
64	25670008/0	2	RONDELLA	WASHER	RONDELLE	SCHEIBE
65	12156602/0	1	DADO	NUT	ECROU	MUTTER
66	25840003/0	1	TIRANTE	TIE ROD	TIRANT	SPANNSTANGE
67	12295200/0	1	DADO	NUT	ECROU	MUTTER
68	12156602/0	1	DADO	NUT	ECROU	MUTTER
69	82000474/0	2	ASTA BILANCIERE	EQUALIZER ROD	TIGE BALANCIER	KIPPHEBEL
70	12523060/0	4	RONDELLA	WASHER	RONDELLE	SCHEIBE
71	12156602/0	4	DADO	NUT	ECROU	MUTTER
72	25670008/0	8	RONDELLA	WASHER	RONDELLE	SCHEIBE
91	25108004/0	1	CONVOGLIATORE	CONVEYOR	CONVOYEUR	BLECHSATZ
92	25190091/0	1	DEFLETTORE	DEFLECTOR	DEFLECTEUR	ABWEISER
93	12735402/0	6	VITE	SCREW	VIS	SCHRAUBE
94	25510044/0	2	PERNO	PIN	PIVOT	BOLZEN

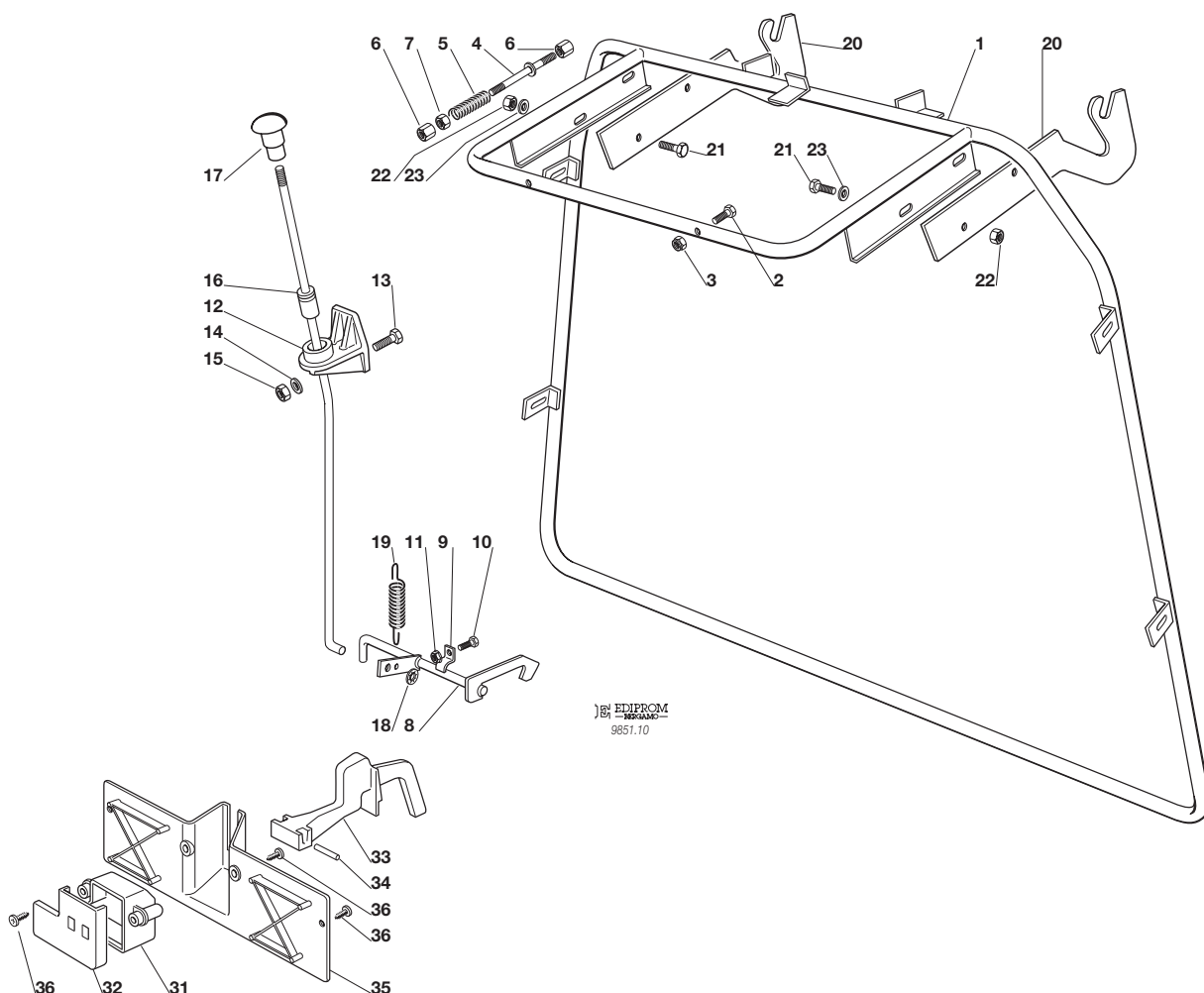
J92**JP92****JT92****JR92****J92 hy.****JP92 hy.****JT92 hy.****JR92 hy.**

SACCO (1. - PARTE FISSA)
GRASSCATCHER (1. - FIXED PART)
BAC (1. - PARTIE FIXE)
AUFFANGSACK (1. - FESTER TEIL)

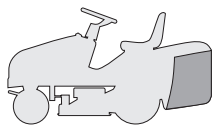
2000

010.0

1 / 1



N.	CODE	Q.TY	DESCRIZIONE	DESCRIPTION	DESCRIPTION	BESCHREIBUNG
1	82800017/1	1	TELAIO	FRAME	CHASSIS	RAHMEN
2	12791500/0	5	VITE	SCREW	VIS	SCHRAUBE
3	12154510/0	5	DADO	NUT	ECROU	MUTTER
4	82000465/1	1	ASTA	ROD	TIGE	STANGE
5	25430232/0	1	MOLLA	SPRING	RESSORT	FEDER
6	25510042/0	2	PERNO	PIN	PIVOT	BOLZEN
7	12292100/0	1	DADO	NUT	ECROU	MUTTER
8	82000363/0	1	ASTA AGGANCIAMENTO SACCO	COUPLING ROD	TIGE D'ACCROCHAGE	KUPPLUNGSTANGE
9	25774220/0	2	STAFFA ANCORAGGIO	ANCHOR BRACKET	ETRIER	BRIDE
10	12790781/0	2	VITE	SCREW	VIS	SCHRAUBE
11	12292102/0	2	DADO	NUT	ECROU	MUTTER
12	25785055/0	1	SUPPORTO	SUPPORT	SUPPORT	HALTER
13	12791200/0	1	VITE	SCREW	VIS	SCHRAUBE
14	12521330/0	1	ROSETTA	WASHER	RONDELLE	SCHIBE
15	12154510/0	1	DADO	NUT	ECROU	MUTTER
16	82000467/0	1	ASTA SGANCIO	RELEASE ROD	TIGE DE DECCROCHAGE	ENTKUPPLUNGSTANGE
17	82394507/0	1	MANOPOLA	HANDLE	POIGNEE	GRIFF
18	12604898/0	1	RONDELLA	WASHER	RONDELLE	SCHIBE
19	25430220/0	1	MOLLA	SPRING	RESSORT	FEDER
20	25785077/0	2	SUPPORTO	SUPPORT	SUPPORT	HALTER
21	12793102/0	4	VITE	SCREW	VIS	SCHRAUBE
22	12155000/0	4	DADO	NUT	ECROU	MUTTER
23	12521350/0	4	RONDELLA	WASHER	RONDELLE	SCHIBE
31	25600041/0	1	PROTEZIONE MICRO	MICRO PROTECTION	PROTECTION MICRO	SCHUTZ
32	25600042/0	1	COPERCHIO PROTEZIONE	PROTECTION COVER	COUVERCLE PROTECTION	SCHUTZDEKEL
33	25318124/0	1	LEVA	LEVER	LEVIER	HEBEL
34	12400030/0	1	PERNO	PIN	PIVOT	BOLZEN
35	25774251/0	1	STAFFA	BRACKET	SUPPORT	SCHELLE
36	12728510/0	3	VITE	SCREW	VIS	SCHRAUBE

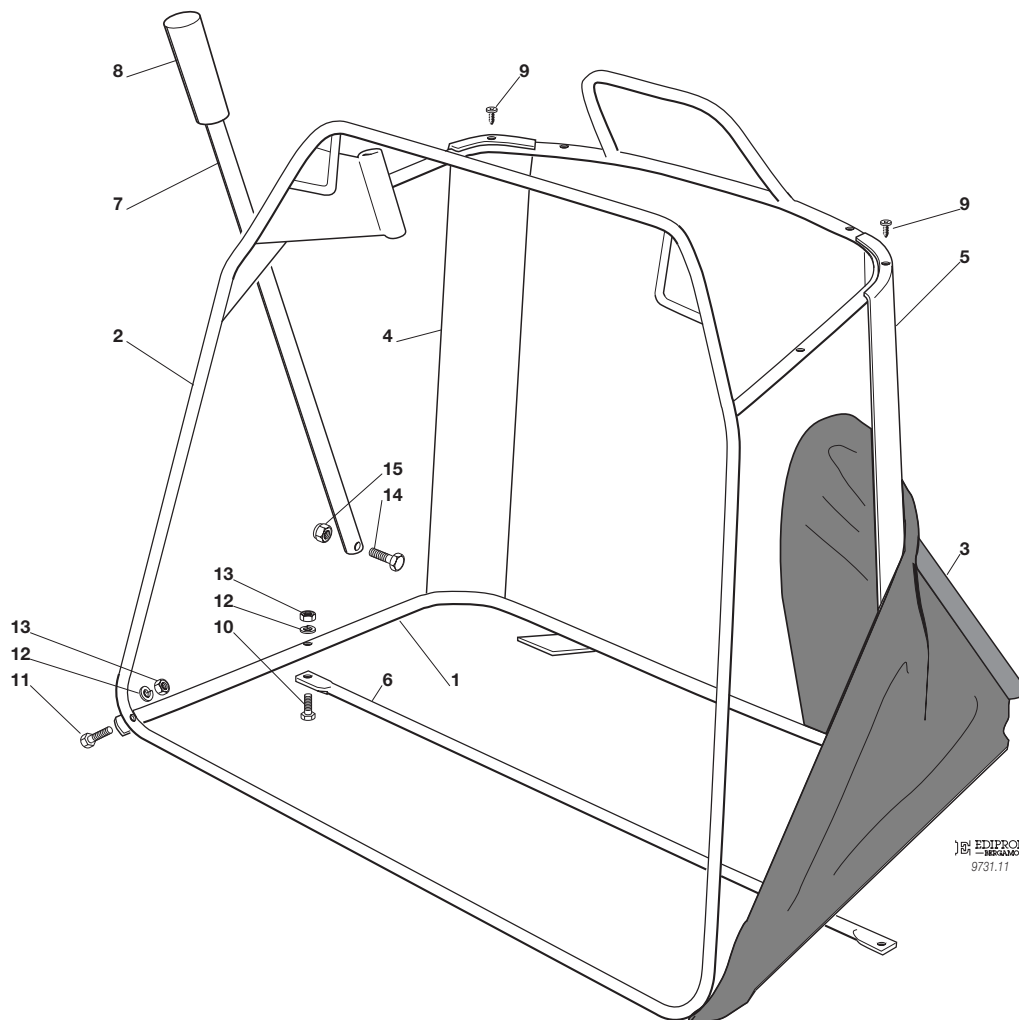
J92**JP92****JT92****JR92****J92 hy.****JP92 hy.****JT92 hy.****JR92 hy.**

SACCO (2. - PARTE MOBILE)
GRASSCATCHER (2. - MOBILE PART)
BAC (2. - PARTIE MOBILE)
AUFFANGSACK (2. - BEWEGLICHER TEIL)

2000

011.0

1 / 1

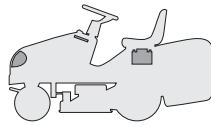


EDIPROM
9731.11

N.	CODE	Q.TY	DESCRIZIONE	DESCRIPTION	DESCRIPTION	BESCHREIBUNG
1	82800015/0	1	TELAIO INFERIORE	LOWER FRAME	CHASSIS INFÉRIEUR	UNTERERRAHMEN
2	82800014/1	1	TELAIO SUPERIORE	UPPER FRAME	CHASSIS SUPÉRIEUR	OBERERRAHMEN
3	82105998/0	1	CONFEZIONE SACCO	GRASSCATCHER	BAC	SACK
4	25032005/0	1	ANGOLARE DESTRO	RIGHT ANGULAR SUPPORT	SUPPORT ANGULAIRE DROITE	RECHTER HALTER
5	25032004/0	1	ANGOLARE SINISTRO	LEFT ANGULAR SUPPORT	SUPPORT ANGULAIRE GAUCHE	LINKER HALTER
6	82650039/0	1	RINFORZO	STIFFENING	RENFORCEMENT	VERSTÄRKUNG
7	25869029/1	1	TUBO	ROD	TIGE	STANGE
8	25394508/0	1	MANOPOLA	HANDLE	POINGEE	GRIF
9	12729601/0	4	VITE	SCREW	VIS	SCHRAUBE
10	12792099/0	2	VITE	SCREW	VIS	SCHRAUBE
11	12792099/0	2	VITE	SCREW	VIS	SCHRAUBE
12	12582101/0	4	GROWER	GROWER	GROWER	GROWER
13	12292100/0	4	DADO	NUT	ECROU	MUTTER
14	12792099/0	1	VITE	SCREW	VIS	SCHRAUBE
15	12154510/0	1	DADO	NUT	ECROU	MUTTER

J92 JP92 JT92 JR92

J92 hy. JP92 hy. JT92 hy. JR92 hy.

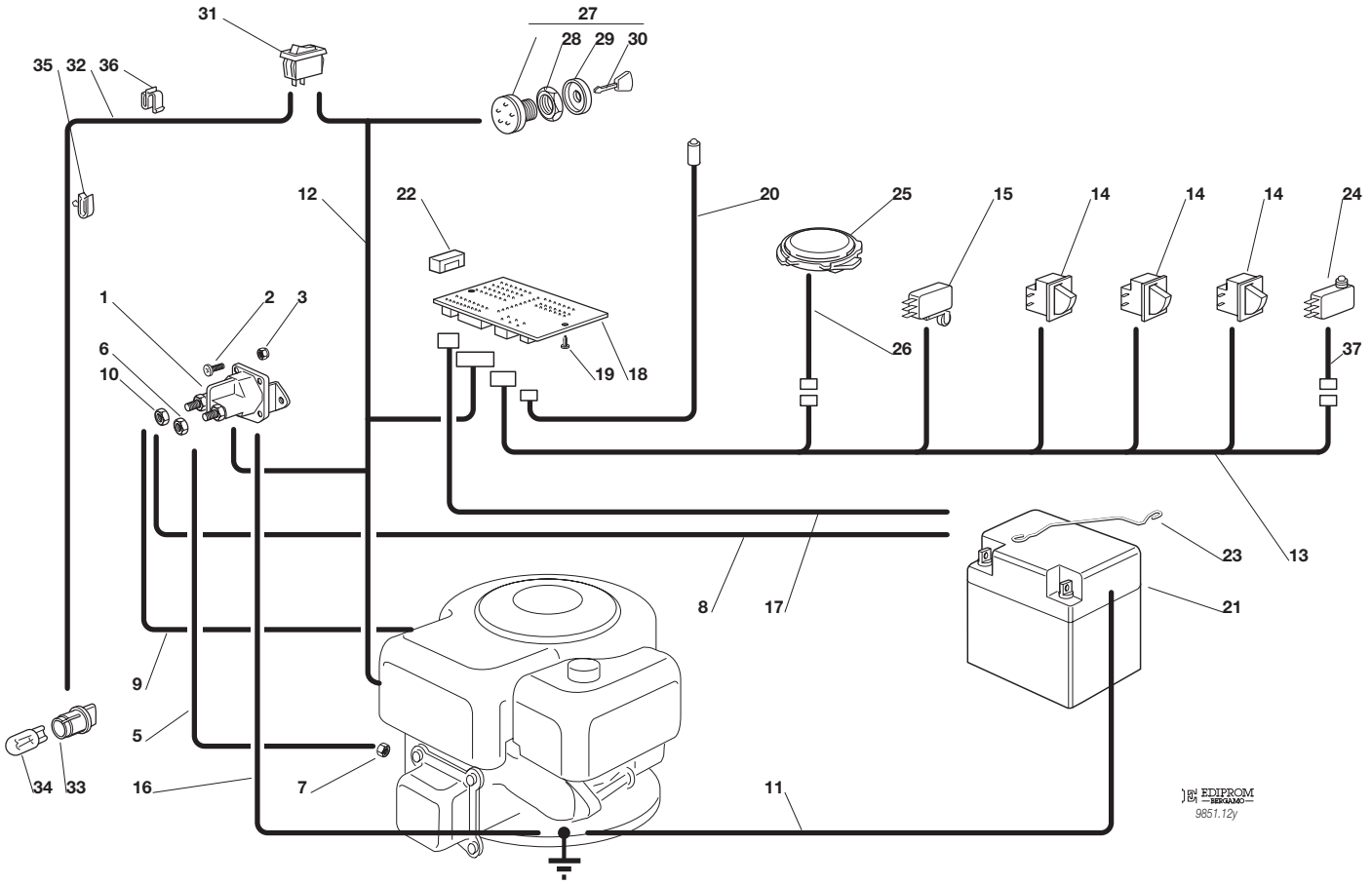


PARTI ELETTRICHE
ELECTRICAL PARTS
PARTIES ELECTRIQUES
ELETRISCHE TEILE

2000

012Y.0

1 / 2



EDIPROM
 9857.12y

N.	CODE	Q.TY	DESCRIZIONE	DESCRIPTION	DESCRIPTION	BESCHREIBUNG
1	18736111/0	1	RELÉ AVVIAMENTO	STARTER RELAY	RELAIS D'ALLUMAGE	ANLASSRELAIS
2	12791213/0	2	VITE	SCREW	VIS	SCHRAUBE
3	12292102/0	2	DADO	NUT	ECROU	MUTTER
5	25065017/0	1	CABLAGGIO SOLEN. AVV.	CABLES ASS.Y	ENS. CABLAGES	KABELSATZ
6	12360352/0	1	DADO	NUT	ECROU	MUTTER
7	12361005/0	1	DADO	NUT	ECROU	MUTTER
8	25065001/0	1	CAVO BATT. SOLENOIDE	CABLE	CABLES	KABEL
9	25065012/0	1	CAVO RICARICA	CABLE	CABLES	KABEL
10	12360352/0	1	DADO	NUT	ECROU	MUTTER
11	25065004/0	1	CAVO MASSA BATTERIA	CABLE	CABLES	KABEL
12	82040037/1	1	CABLAGGIO AVVIAMENTO	CABLES ASS.Y	ENS. CABLAGES	KABELSATZ
	82040038/1		10,5 - 12 - 12,5 - 13 HP B&S	10,5 - 12 - 12,5 - 13 HP B&S	10,5 - 12 - 12,5 - 13 HP B&S	10,5 - 12 - 12,5 - 13 HP B&S
	82040037/1		15 - 15,5 HP B&S	15 - 15,5 HP B&S	15 - 15,5 HP B&S	15 - 15,5 HP B&S
	82040037/1		13 HP TECUMSEH	13 HP TECUMSEH	13 HP TECUMSEH	13 HP TECUMSEH
13	82040047/0	1	CABLAGGIO MICRO	CABLES ASS.Y	ENS. CABLAGES	KABELSATZ
14	19410606/0	3	MICRO INTERRUPTORE	MICRO	MICRO	MIKRO
15	19410609/0	1	MICRO INTERRUPTORE	MICRO	MICRO	MIKRO
16	25065018/0	1	CAVO MASSA SOLENOIDE	CABLE	CABLES	KABEL
17	25065021/0	1	CAVO ALIM. SCHEDA	CABLE	CABLES	KABEL
18	25722411/0	1	SCHEDA ELETTRONICA	ELECTRONIC CARD	CARTE ELECTRONIQUE	ELEKTRONISCHE KARTE
19	12727810/0	2	VITE	SCREW	VIS	SCHRAUBE
20	25065014/1	1	CAVO LED SEGNAZIONE	CABLE	CABLES	KABEL
21	18120002/0	1	BATTERIA	BATTERY	BATTERIE	BATTERIE
22	33340033/0	1	FUSIBILE	FUSE	FUSIBLE	SICHERUNG
23	25430230/0	1	MOLLA	SPRING	RESSORT	FEDER
24	19410605/1	1	MICRO SACCO PIENO	FULL GRASSCATCHER	MICRO BAC PLEIN	VOLLKORB VORRICHTUNG
				MICROSWITCH		
25	19410607/0	1	MICRO SEDILE	MICRO	MICRO	MIKRO
26	25065020/0	1	CAVO MICRO SEDILE	CABLE	CABLES	KABEL
27	18450065/1	1	INTERRUPTORE AVVIAM.	STARTING SWITCH	INTERRUPTEUR DEMARR.	SCHALTER
28	18400861/0	1	GHIERA	RINGNUT	EMBOUT	NUTMUTTER



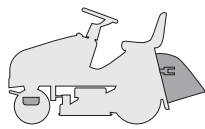
J92 • JP92 • JT92 • JR92 • **J92 hy.** • **JP92 hy.** • **JT92 hy.** • **JR92 hy.**

2000

012Y.0

2 / 2

N.	CODE	Q.TY	DESCRIZIONE	DESCRIPTION	DESCRIPTION	BESCHREIBUNG
29	18565351/0	1	PROTEZIONE GHIERA	RINGNUT PROTECTION	PROTECTION EMBOUT	NUTMUTTER SCHUTZ
30	18210016/0	1	CHIAVE AVVIAMENTO	STARTING KEY	CLEF A DEMARRAGE	SCHLÜSSEL FÜR START
31	18450060/0	1	INTERRUTTORE	FARILAMP SWITCH	INTERRUPTEUR PHARES	LICHTEN SCHALTER
32	82040036/0	1	CAVO	CABLE	CABLES	KABEL
33	33500030/0	2	PORTALAMPADE	LAMP HOLDER	DOUILLE DE LAMPE	SCHEINWERFERLAMPE
34	18459100/0	2	LAMPADA	FARILAMP FOR LIGHTS	LAMPE POUR PHARES	LAMPENFASSUN
35	33320506/0	1	FERMACAVO	FAIRLED	FIXATION CABLE	KABELBEFESTIGUNG
36	33320504/0	1	FERMACAVO	FAIRLED	FIXATION CABLE	KABELBEFESTIGUNG
37	25065023/0	1	CAVO	CABLE	CABLES	KABEL

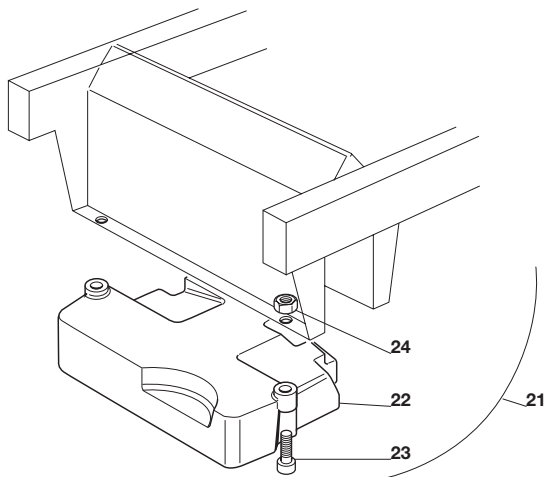
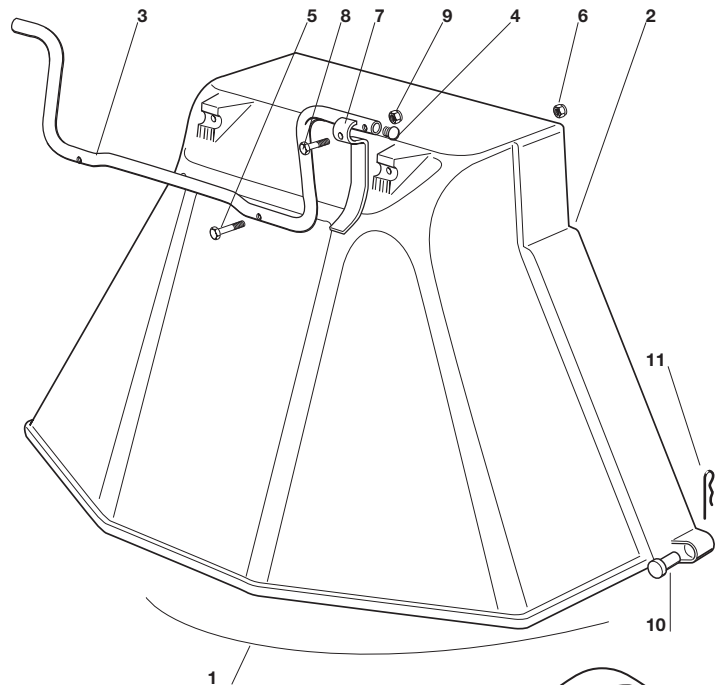
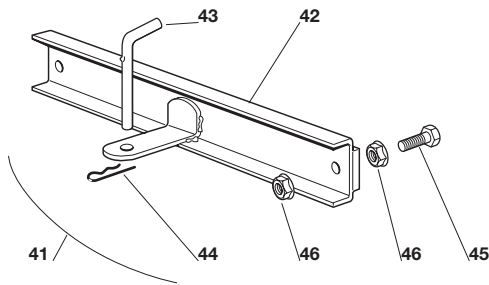
J92**JP92****JT92****JR92****J92 hy.****JP92 hy.****JT92 hy.****JR92 hy.**

**ACCESSORI A RICHIESTA
OPTIONALS ON REQUEST
ACCESSOIRES SUR DEMANDE
ZUBEHOERE NACH ANFRAGE**

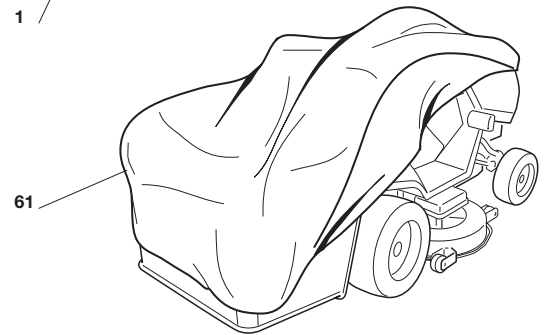
2000

013.0

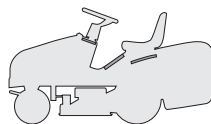
1 / 1



EDIPROM
9932.13



N.	CODE	Q.TY	DESCRIZIONE	DESCRIPTION	DESCRIPTION	BESCHREIBUNG
1	99900050/0	1	ASS. KIT PROTEZIONE USCITA	EJECTION-GUARD ASS.Y	KIT PROTECTION SORTIE	VORRICHTUNG FÜR AUSWURFSCHUTZ
2	82400002/0	1	PROTEZIONE USCITA	EJECTION GUARD	PROTECTION SORTIE	AUSWURFSCHUTZ
3	25869031/0	1	TUBO DI AGGANCIAMENTO	SUPPORT	SOPPORT	HALTER
4	18566113/0	2	PUNTALE	CAP	BOUCHON	PFROPFEN
5	12674701/0	2	VITE	SCREW	VIS	SCHRAUBE
6	12154510/0	2	DADO	NUT	ECROU	MUTTER
7	25547053/0	1	PIASTRINA	PLATE	PLAQUETTE	PLÄTTCHEN
8	12791500/0	1	VITE	SCREW	VIS	SCHRAUBE
9	12154510/0	1	DADO	NUT	ECROU	MUTTER
10	25510022/0	2	PERNO	PIN	PIVOT	BOLZEN
11	24487998/0	2	COPPIGLIA	COTTER PIN	GOUPILLE	SPLIT
21	99900030/5	1	ASS. KIT PESO ANT.	FRONT WEIGHT KIT	KIT POIDS ANTERIEUR	VORDERGEWICHT VORRICHTUNG
22	25519997/0	1	PESO	WEIGHT	POIDS	GEWICHT
23	12760520/0	3	VITE	SCREW	VIS	SCHRAUBE
24	12155000/0	3	DADO	NUT	ECROU	MUTTER
41	99900080/1	1	ASS. KIT TRAINO	HITCH KIT	KIT DE TRAINAGE	ZUGVORRICHTUNG
42	82033103/1	1	BARRA	ROD	BARRE	STANGE
43	25510021/0	1	PERNO	PIN	PIVOT	BOLZEN
44	24487999/0	1	COPPIGLIA	COTTER PIN	GOUPILLE	SPLIT
45	12793301/0	2	VITE	SCREW	VIS	SCHRAUBE
46	12293201/0	4	DADO	NUT	ECROU	MUTTER
61	18737950/0	1	TELO DI COPERTURA	CLOTH	BÂCHE	PLANE

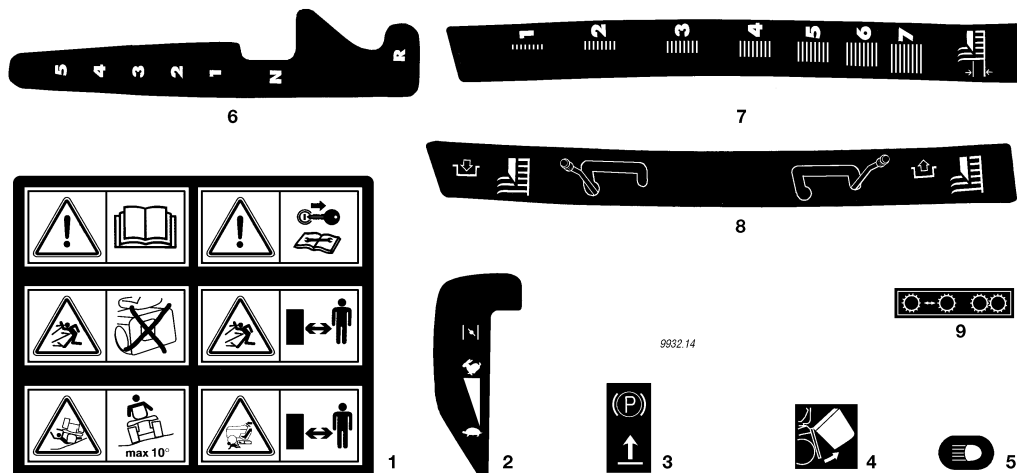
J92**JP92****JT92****JR92****J92 hy.****JP92 hy.****JT92 hy.****JR92 hy.**

**ETICHETTE
LABELS
ETIQUETTES
KLEBZETTEL**

2000

014.0

1 / 1



N.	CODE	Q.TY	DESCRIZIONE	DESCRIPTION	DESCRIPTION	BESCHREIBUNG
1	14357190/0	1	ETICHETTA	LABEL	ETIQUETTE	KLEBZETTEL
2	14357209/1	1	ETICHETTA	LABEL	ETIQUETTE	KLEBZETTEL
3	14356185/1	1	ETICHETTA	LABEL	ETIQUETTE	KLEBZETTEL
4	14357189/0	1	ETICHETTA	LABEL	ETIQUETTE	KLEBZETTEL
5	14357424/1	1	ETICHETTA	LABEL	ETIQUETTE	KLEBZETTEL
6	14357210/1	1	ETICHETTA	LABEL	ETIQUETTE	KLEBZETTEL
7	14357211/1	1	ETICHETTA	LABEL	ETIQUETTE	KLEBZETTEL
8	14357360/1	1	ETICHETTA	LABEL	ETIQUETTE	KLEBZETTEL
9	14357423/1	1	ETICHETTA (hydro)	LABEL (hydro)	ETIQUETTE (hydro)	KLEBZETTEL (hydro)

J92

JP92

JT92

JR92

J92 hy.

JP92 hy.

JT92 hy.

JR92 hy.

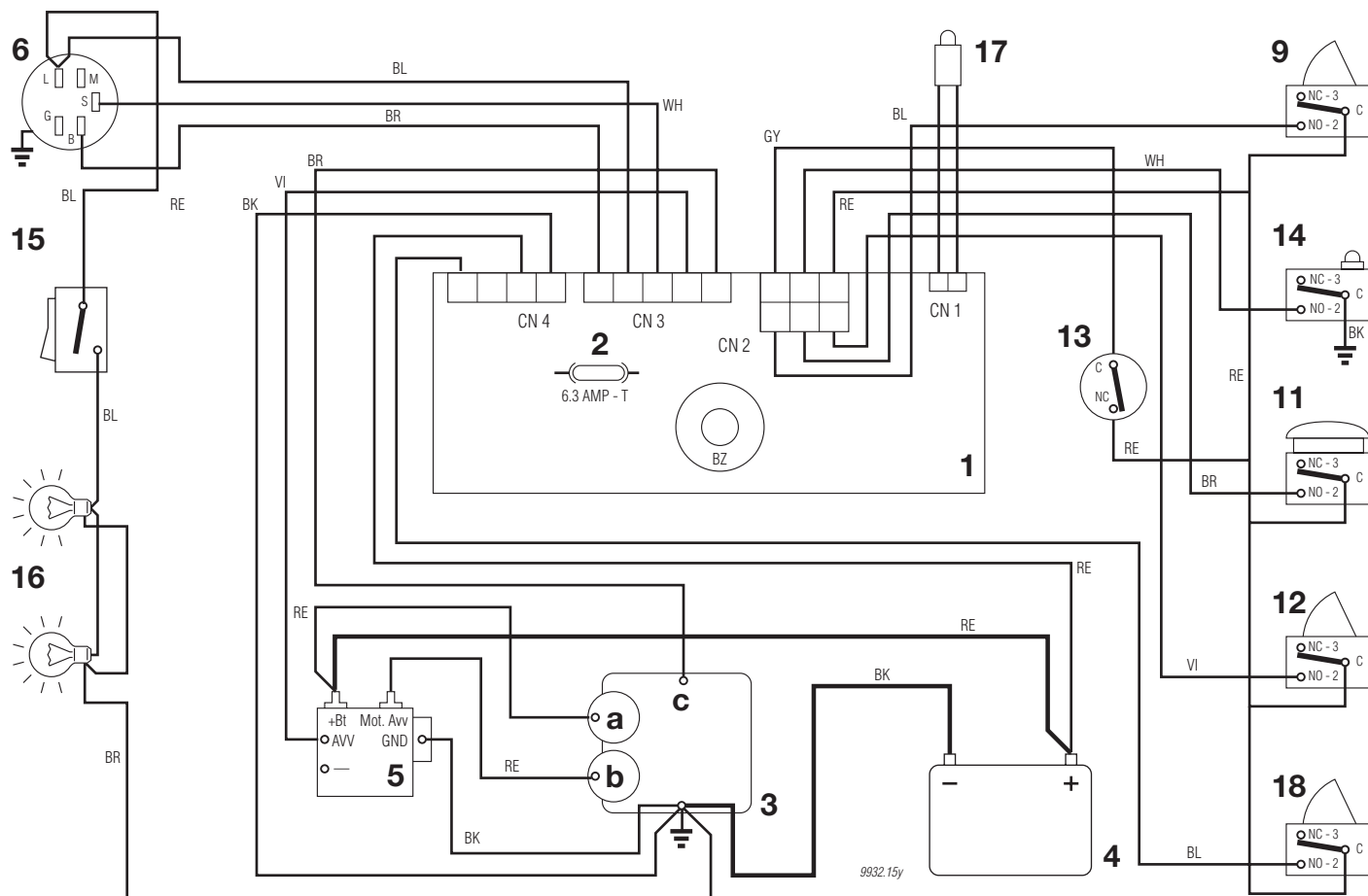
SCHEMA ELETTRICO
WIRE DIAGRAM
SCHEMA ELECTRIQUE
ELEKTRISCHE SCHEMA

10,5 - 12 - 12,5 - 13 HP B&S - 13 HP TECUMSEH

2000

015Y.0

1 / 1



1	SCHEDA CON BUZZER	ELECTRONIC CARD WITH BUZZER	CARTE ELECTRONIQUE AVEC BUZZER	ELECTRONISCHE KARTE MIT BUZZER
2	FUSIBILE 6,3 Amp. T	FUSE 6.3 Amp. T	FUSIBLE 6,3 Amp. T	SICHERUNG 6,3 Amp. T
3	MOTORE	ENGINE	MOTEUR	MOTOR
3a	Generatore	Generator	Genérateur	Generator
3b	Motorino avviamento	Starter	Demarreur	Anlasser
3c	Stop motore	Engine stop	Calage du moteur	Motor abstellung
4	BATTERIA	BATTERY	BATTERIE	BATTERIE
5	RELE AVVIAMENTO	STARTER RELAY	RELAIS DE DEMARRAGE	ANLASSER RELAIS
6	INTERRUTTORE A CHIAVE	ELECTROLOCK	INTERRUPTEUR D'ALLUMAGE	SCHLÜSSELSCHALTER
9	MICROINTERRUTTORE LAME	BLADES MICRO SWITCH	MICRO INTERRUPTEUR LAMES	MESSER MIKROSCHALTER
11	MICROINTERRUTTORE SEDILE	SEAT MICRO SWITCH	MICRO INTERRUPTEUR SIEGE	SITZMIKROSCHALTER
12	MICROINTERRUTTORE SACCO	GRASSCATCHER MICRO SWITCH	MICRO INTERRUPTEUR BAC	GRASFANGEinRICHTUNG MIKROSCHALTER
13	MICROINTERRUTTORE FOLLE	NEUTRAL MICROSWITCH	MICRO INT. POINT MORT	LEERLAUF MICROSWITCHER
14	MICROINTERRUTTORE SACCO PIENO	FULL GRASSCATCHER MICRO SWITCH	MICRO BAC PLEIN	VOLLKORB VORRICHTUNG
15	INTERRUTTORE FARI	HEADLIGHT SWITCH	INTERRUPTEUR PHARES	LICHTSCHALTER
16	FARI	HEADLIGHT	PHARES	LICHT
17	SPIA	WARNING LIGHT	VOYANT	KONTROLLAMPE
18	MICROINTERRUTTORE FRENO	BRAKE MICRO SWITCH	MICRO INTERRUPTEUR FREIN	BREMSE MIKROSCHALTER

COLORI CAVI

BK	NERO
BL	BLU
BR	MARRONE
GY	GRIGIO
RE	ROSSO
VI	VIOLA
YG	GIALLO/VERDE
WH	BIANCO

CABLE COLOURS

BLACK
BLUE
BROWN
GREY
RED
VIOLET
YELLOW/GREEN
WHITE

COULEUR CABLES

NOIR
BLEU
BRUN
GRIS
ROUGE
VIOLET
JAUNE/VERT
BLANC

KABEL FARBEN

SCHWARZ
BLAU
BRAUN
GRAU
ROT
VIOLETT
GELB/GRÜN
WEISS