

REPAIR PARTS MANUAL LIGHT GROUND ENGAGING TRACTOR with 42" Mower Deck MODELS 3583-35 & 3583-36

WARRANTY

ONE YEAR LIMITED WARRANTY

For one (1) year from date of purchase by the first consumer for residential use (thirty (30) days commercial use), Western International Incorporated warrants that it will replace free of charge, including labor, any original part of any Western International Incorporated product found to be defective by any authorized Service Dealer or the factory, except the battery which is warranted for ninety (90) days from date of purchase.

This warranty does not cover engine, transmission, transaxle or differential (these items are covered by their manufacturer's own warranty). This warranty does not cover parts that have failed due to normal wear or parts that have failed subject to misuse or abuse. Transportation of the unit or part to and from an authorized Service Dealer or the factory is the responsibility of the owner.

A step by step explanation as to what procedure should be followed for this Warranty is:

1. If a part becomes defective, contact the store where the unit was purchased for the name and address of the authorized Service Dealer nearest to you.
2. If you cannot locate an authorized Service Dealer, write Service Department of Western International Incorporated for the name and address of the authorized Service Dealer in your area or call the Service Department at 1-800-247-7464 (outside Iowa), 1-515-265-3461 (Iowa).
3. Return the defective product, along with proof of purchase to such authorized Service Dealer for replacement of any defective part where covered by this warranty.

There is no other express warranty. Implied warranties, including those of merchantability and fitness for a particular purpose are limited to one (1) year from date of purchase. Liability for incidental or consequential damages are excluded.

Some states do not allow limitations on how long an implied warranty lasts, so the above limitation may not apply to you. Some states do not allow the exclusion of incidental or consequential damages, so the above exclusion may not apply to you. This warranty gives you specific legal rights, and you may have other rights which vary from state to state.

Western International Incorporated

P.O. Box 377

Des Moines, Iowa 50302

UNIT PARTS AND SERVICE

This manual contains repair parts information and instructions for safety. Read the operator's manual carefully and completely so that you will know proper assembly, use and care of your unit. Fill in and mail the registration card packed with the unit. For service other than covered in operator's manual, contact an authorized service dealer. A nationwide parts and service organization has been established to provide locally available parts and service. A list of authorized parts distributors has been included in this manual. When ordering repair parts, always give the following information: 1. The Part Name; 2. The Part Number; 3. The Quantity desired; 4. The Full (eight digit) Model Number of the unit. The model number will be found on a plate attached to the unit.



Look for this symbol. It means - ATTENTION! BECOME ALERT! A HAZARD TO OPERATOR, BYSTANDERS, PROPERTY OR EQUIPMENT MAY EXIST.

WESTERN INTERNATIONAL INCORPORATED

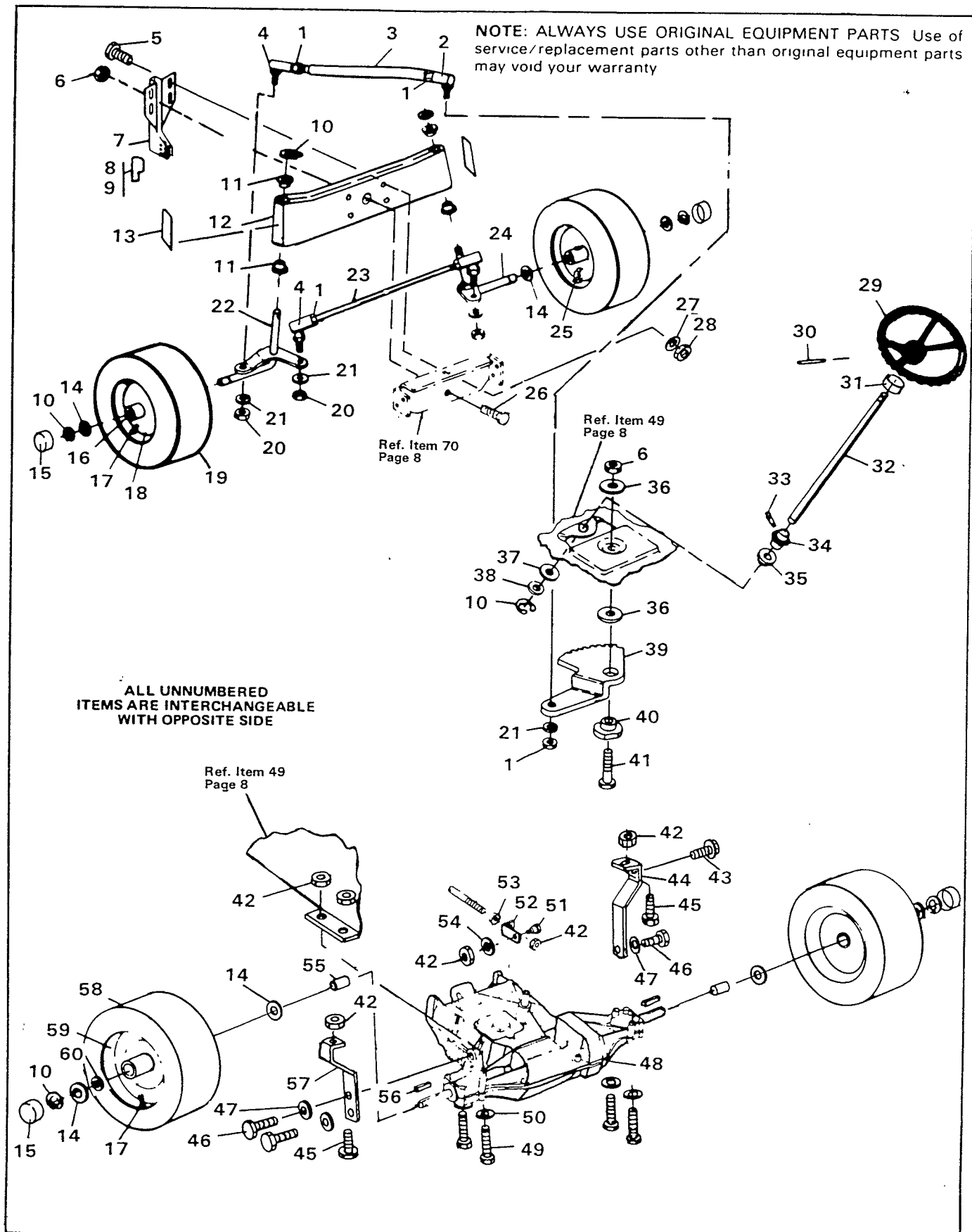
P.O. BOX 377

DES MOINES, IOWA 50302

REPAIR PARTS

LIGHT GROUND ENGAGING TRACTOR MODELS 3583-35 & 3583-36

NOTE: ALWAYS USE ORIGINAL EQUIPMENT PARTS Use of service/replacement parts other than original equipment parts may void your warranty



ALL UNNUMBERED ITEMS ARE INTERCHANGEABLE WITH OPPOSITE SIDE

63023/3583-35-36 Eng./2-10-87/RR JY

LIGHT GROUND ENGAGING TRACTOR MODELS 3583-35 & 3583-36

ALWAYS GIVE THE FOLLOWING INFORMATION WHEN ORDERING REPAIR PARTS:
 1. The PART NUMBER; 2. The PART NAME; 3. QUANTITY DESIRED; 4. The MODEL NUMBER (As shown on Model Plate)
 SEND PART ORDERS AS PER INSTRUCTIONS ON THE FRONT PAGE
 YOUR UNIT IS RIGHT HAND (RH) OR LEFT HAND (LH) AS YOU STAND BEHIND IT.
 DO NOT USE KEY NUMBERS WHEN ORDERING REPAIR PARTS, ALWAYS USE PART NUMBERS.
 All replacement parts will be supplied in current production colors or in a neutral color.
 A handling fee is applicable to small parts orders.

Key No.	Part No.	Description
1	124925	Nut, Hex Jam, 3/8-24 Thd.
2	57158	Ball Joint Assembly
3	57194	Drag Link
4	21275	Ball Joint Assembly
5	122207	*Screw, Hex Hd, G-16 x 3 In.
6	9414074	Locknut, 1/2-13 Thd.
7	55727	Bracket, Deck Hanger
8	68583	Decal, Hanger, L.H. (3583-35)
8	70547	Decal, Hanger, L.H. (3583-36)
9	68584	Decal, Hanger, R.H. (3583-35)
9	70548	Decal, Hanger, R.H. (3583-36)
10	36625	"E" Ring
11	52407	Bearing, Front Spindle
12	55730	Front Axle Assembly
13	53373	Cover, Axle End
14	642	Flatwasher
15	40394	Hub Cap
16	49613	Bearing
17	24167	Valve Stem
18	49401	Wheel with Bearing
19	49399	Tire, Front (3583-35)
19	57914	Tire, Front (3583-36)
20	120369	*Nut, Hex 3/8-24 Thd.
21	120382	*Lockwasher, Split, 3/8 In.
22	55543	Front Spindle Assembly, L.H.
23	48764	Tie Rod
24	55544	Front Spindle Assy., R.H.
25	273326	Grease Zerk
26	52403	Bolt, Front Axle Pivot
27	2483	Spring Washer
28	9413534	Locknut, 3/8-16 Thd.
29	55633	Steering Wheel
30	456836	Roll Pin, 1/4 x 2 1/4 In.

Key No.	Part No.	Description
31	57212	Cover, Steering Shaft
32	57156	Shaft, Steering Wheel
33	454565	Roll Pin, 1/4 x 1 1/4 In.
34	52428	Pinion
35	52405	Bushing
36	22265	Washer
37	51579	Flatwasher
38	21682	Flatwasher, 3/4 In.
39	52382	Sector Gear
40	52406	Eccentric, Steering Adjust
41	180177	*Screw, Hex Hd, 1/2-13 x 1 1/2 In.
42	9413447	Locknut, Hex, 5/16-18 Thd.
43	50947	Screw, Hex Wa. Tap, 3/8-16 x 1 1/4 In.
44	57563	Bracket, Stabilizer
45	122017	*Screw, Hex Hd, 5/16-18 x 1 In.
46	35498	Screw, Hex, Wa. Hd, 5/16-18 x 3/4 In.
47	120638	Lockwasher, Split, 5/16 In.
48	Transaxle	†Peerless, 5 Speed, Model 801
49	180112	*Screw, hex Hd, 5/16-18 x 2 3/4 In.
50	120386	Flatwasher, 3/16 In.
51	20507	Shoulder Bolt
52	57217	Bracket, Brake
53	271184	*Nut, Keps, 5/16-18 Thd.
54	45602	Washer
55	57744	Spacer
56	39628	Key
57	52648	Bracket, Stabilizer
58	55893	Tire, Rear
59	56356	Wheel Assembly, Rear
60	42815	Flatwasher
61	63025	Operator's Manual (Not Illustrated)
62	63023	Repair Parts Manual (Not Illustrated)
63	63024	Owner's Manual (3583-35)

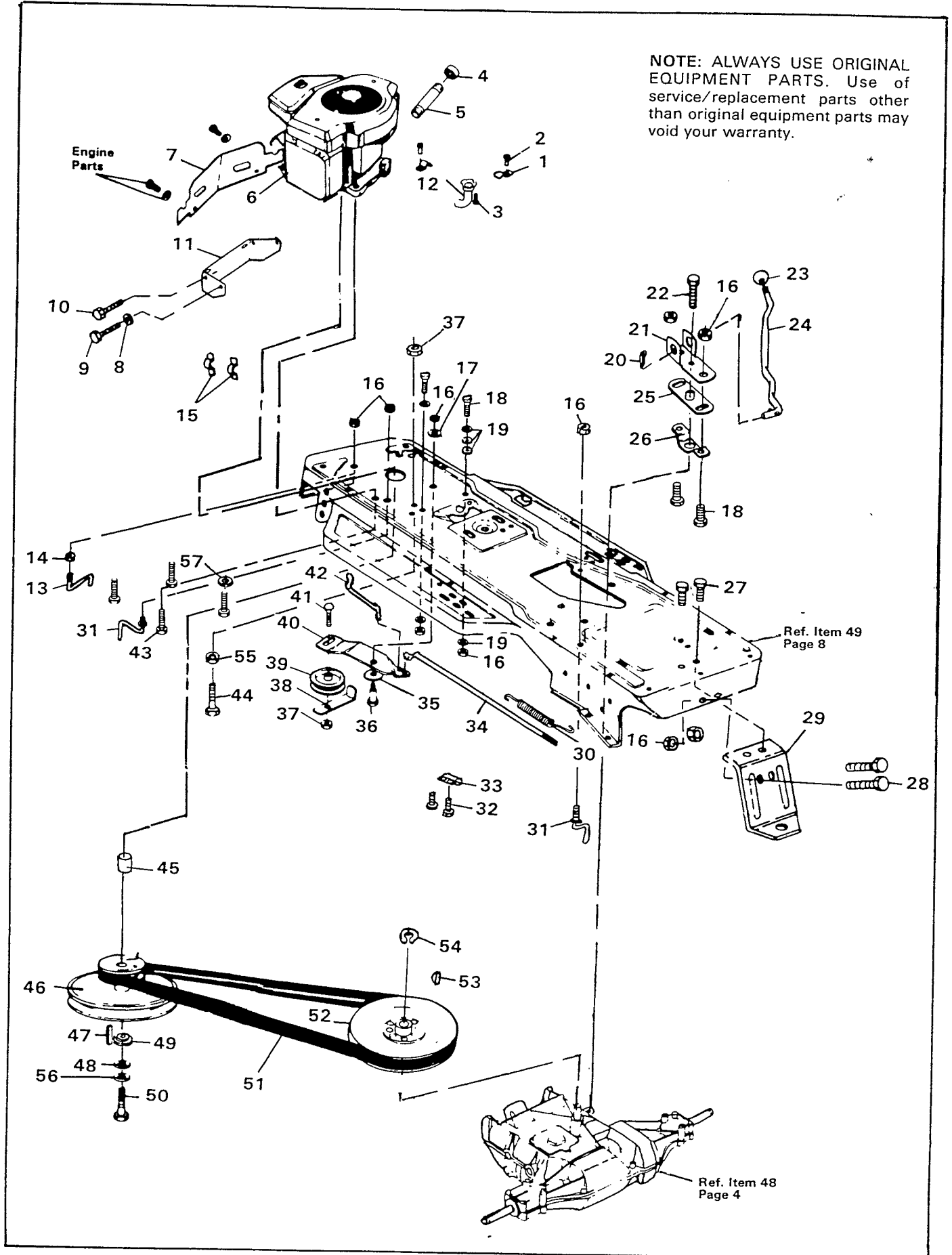
*Standard Hardware Items - May Be Purchased Locally.

†Contact Tecumseh/Peerless authorized service dealer for parts and warranty.

63023/3583-35-36 Eng./2-10-87/RR JY

LIGHT GROUND ENGAGING TRACTOR MODELS 3583-35 & 3583-36

NOTE: ALWAYS USE ORIGINAL EQUIPMENT PARTS. Use of service/replacement parts other than original equipment parts may void your warranty.



63023/3583-35-36 Eng./2-10-87/RR JY

LIGHT GROUND ENGAGING TRACTOR MODELS 3583-35 & 3583-36

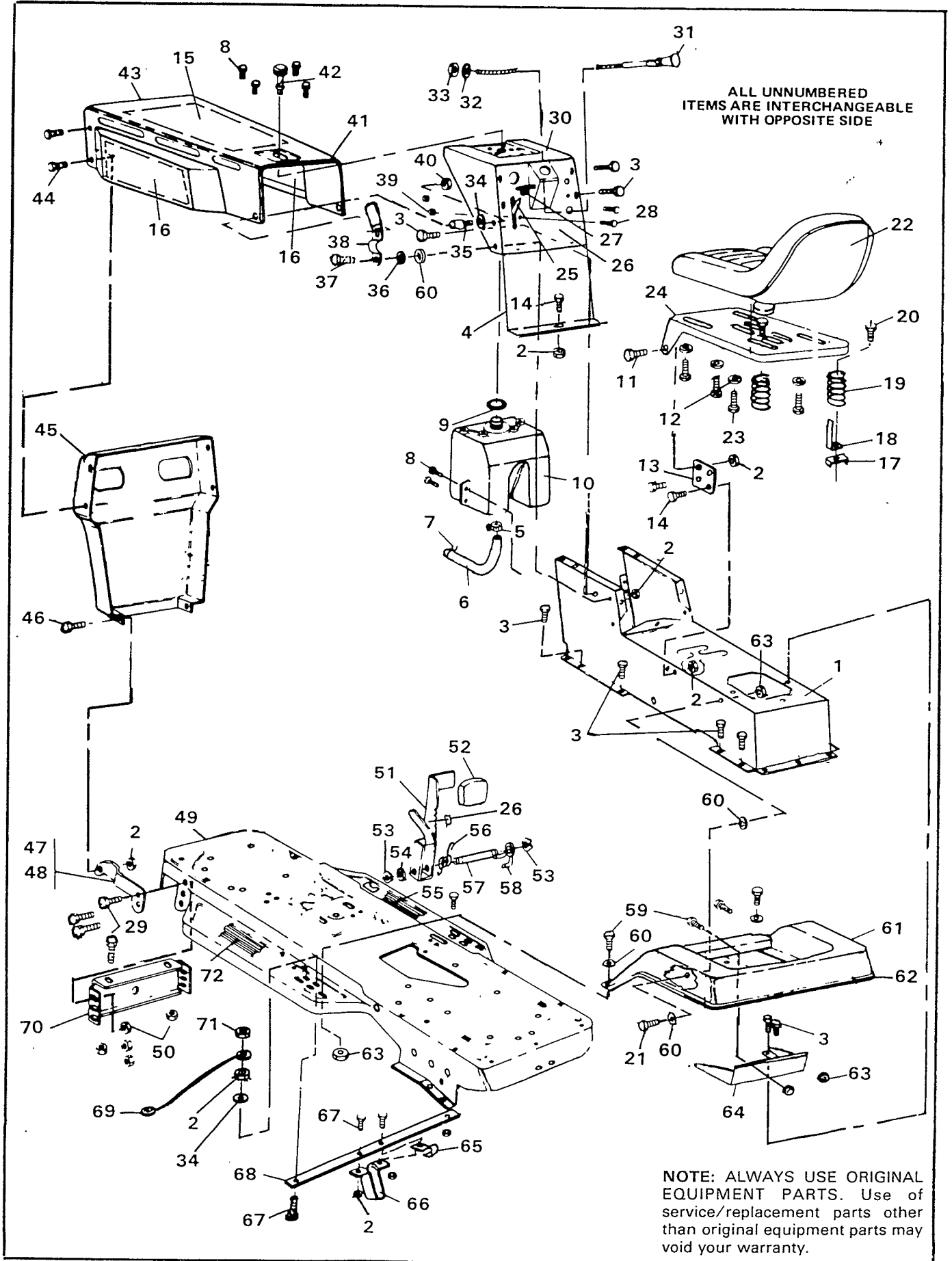
Key No.	Part No.	Description
1	56538	Wire Retainer
2	35258	Screw, Taptite, No. 10-24 x 3/8 In.
3	35287	Screw, Hex Wa. Hd, No. 8-32 x 3/8 In.
4	47828	Cap, Oil Drain Tube
5	52404	Tube, Oil Drain
6	Engine	§See Footnote Below
7	50894	Bulkhead, Hood
8	120380	*Lockwasher, Split, 1/4 In.
9	120854	*Screw, Hex Hd, 1/4-20 x 5/8 In.
10	995338	*Screw, Taptite, 1/4-20 x 5/8 In.
11	52775	Baffle, Engine
12	52077	Exhaust Tube
13	57561	Belt Guide
14	41529	Jam Nut, 3/8-16 Thd.
15	41482	Press Clip
16	9413447	Locknut, Hex, 5/16-18 Thd.
17	45602	Washer, 5/16 In.
18	120229	*Screw, Hex Hd, 5/16-18 x 7/8 In.
19	120393	*Flatwasher, 5/16 In.
20	137185	Cotter Pin
21	55517	Bracket, Shift
22	56255	Screw, Nylock, 1/4-28 x 3/4 In.
23	55514	Knob, Shift Lever
24	57660	Shift Lever
25	55516	Bracket, Shift Adjusting
26	54685	Bracket, Shift, Lower
27	48148	Screw, Taptite, 3/8-16 x 1 In.
28	120228	Screw, Hex Hd, 5/16-18 x 5/8 In.
29	52647	Hitch

Key No.	Part No.	Description
30	56359	Spring, Clutch
31	52401	Belt Guide
32	57220	Screw, Hex Hd. Tap
33	57211	Switch
34	57203	Brake Rod
35	4107	Washer
36	41890	Shoulder Bolt
37	9413534	Locknut, Hex, 3/8-16 Thd.
38	39659	Belt Retainer
39	35374	Pulley, Idler
40	57202	Idler Arm
41	45892	Carriage Bolt, 3/8-16 x 1 1/2 In.
42	57204	Rod Clutch
43	50947	Screw, Taptite, 5/16-18 x 1 1/4 In.
44	49930	Screw, Hex Hd, 3/8-16 x 7/2 In.
45	56430	Spacer, Engine Pulley
46	57932	Pulley, Engine
47	57791	Key, Square
48	120383	Lockwasher, Split, 7/16 In.
49	56431	Washer, Pilot
50	215667	Screw, Hex Hd., 7/16-20 x 5 3/4 In.
51	57556	V-Belt
52	54692	Pulley, Input
53	3021	Key, Woodruff, No. 606
54	22053	Retaining Ring
55	271190	*Nut, Keps, 3/8-16 Thd.
56	996316	*Flatwasher, 17/32 In. I.D.
57	138489	Washer, Shakeproof

*Standard Hardware Items - May Be Purchased Locally.

§Contact Engine Manufacturer's authorized service dealer (See Engine Manual) for parts and warranty.

LIGHT GROUND ENGAGING TRACTOR MODELS 3583-35 & 3583-36



63023/3583-35-36 Eng./2-10-87/RR JY

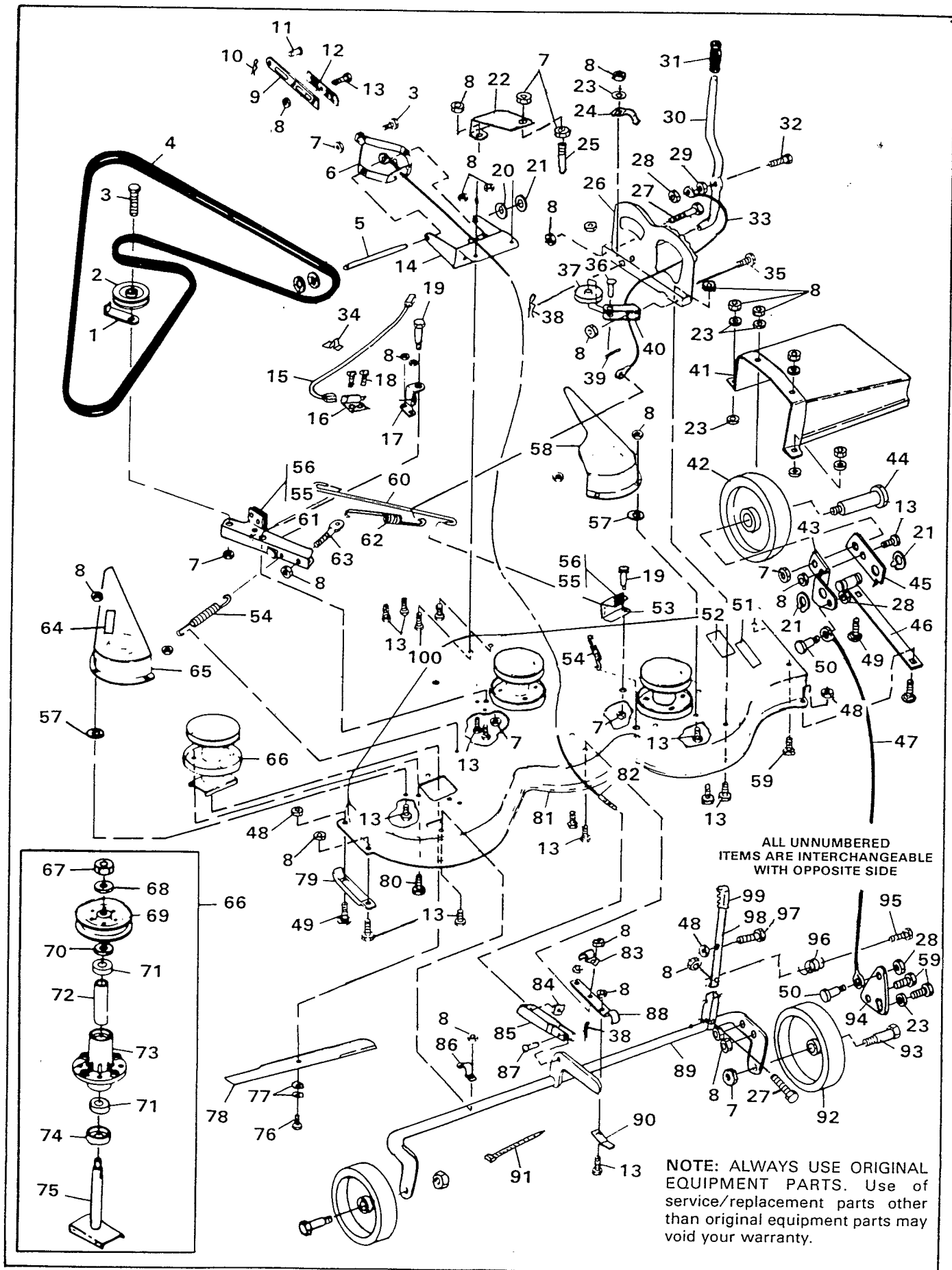
LIGHT GROUND ENGAGING TRACTOR MODELS 3583-35 & 3583-36

Key No.	Part No.	Description	Key No.	Part No.	Description
1	57461	Console	37	8482	Shoulder Bolt
2	9413447	Locknut, Hex, 5/16-18 Thd.	38	57159	Latch, Hood
3	995346	*Screw, Taptite, 1/4-20 x 1/2 In.	39	271166	*Nut, Keps, No. 10-24 Thd.
4	55540	Bulkhead, Console	40	45174	Locknut, Wide Fl., 5/16-18 Thd.
5	47345	Clamp, Fuel Line	41	56305	Edging, Hood
6	51211	Tubing, Fuel Line	42	56183	Gas Gauge
7	41008	Clamp, Fuel Line	43	50893	Hood Assembly
8	49050	Screw, Plastite, 1/4-10 x 3/4 In.	44	57215	Screw, Hex Tap, 5/16-9 x 3/4 In.
9	54885	Pad, Fuel Tank	45	52804	Grill
10	52536	Tank, Fuel	46	36149	Shoulder Bolt
11	20507	Shoulder Bolt	47	57797	Bracket, Grille, L.H.
12	120638	*Lockwasher, Split, 5/16 In.	48	57798	Bracket, Grille, R.H.
13	53746	Support	49	57572	Main Frame
14	120228	*Screw, Hex Hd, 5/16-18 x 5/8 In.	50	55273	Locknut, Wide Flange, 5/16-18 Thd.
15	55835	Pad, Top, Hood	51	52575	Brake Pedal Assembly
16	55836	Pad, Side, Hood	52	52785	Rubber Pad, Pedal
17	53744	Clip, Seat Spring	53	20864	Retaining Ring
18	53745	Stop, Seat	54	54806	Spacer
19	49335	Spring, Seat	55	57496	Foot Pad, R.H.
20	44811	Screw, Taptite, 1/4-20 x 3/4 In.	56	57213	Spring
21	180020	*Screw, Hex, Hd, 1/4-20 x 3/4 In.	57	57196	Rod, Brake-Clutch
22	57455	Seat	58	54807	Spring, Return
23	120834	*Screw, Hex Hd, 5/16-18 x 1/2 In.	59	48900	Screw, Hex Wa. Hd, 1/4-20 x 1 In.
24	57417	Mounting Bracket, Seat	60	120386	*Flatwasher, 5/16 In. I.D.
25	52085	Throttle Control	61	57554	Fender Assembly
26	67950	Decal, Parking Brake	62	55023	Trim, Fender
27	39486	Knob, Throttle Control	63	9424215	Locknut, Hex, 1/4-20 Thd.
28	35291	Screw, Hex Hd, No. 10-24 x 1/2 In.	64	57562	Bracket, Fender
29	56030	Screw, Wd. Fl. Hex, 5/16-18 x 3/4 In.	65	57569	Retainer, Wire
30	56045	Dash Assembly	66	49777	Guide, Rear, Mower Deck
31	52086	Cable, Choke	67	122017	*Screw, Hex Hd, 5/16-18 x 1 In.
32	138489	Washer, Shakeproof, 3/8 In.	68	43964	Guide Support, Rear
33	124925	*Jam Nut, 3/8-24 Thd.	69	55511	Ground Wire
34	138538	Washer, Internal Tooth, 5/16 In.	70	56361	Bracket, Axle Support, Front
35	53446	Pin, Hood Latch	71	271184	*Nut, Keps, 5/16-128 Thd.
36	120394	*Flatwasher, 3/8 In.	72	57495	Foot Pad, L.H.

*Standard Hardware Items - May Be Purchased Locally.

63023/3583-35-36 Eng./2-10-87/RR JY

LIGHT GROUND ENGAGING TRACTOR MODELS 3583-35 & 3583-36



ALL UNNUMBERED ITEMS ARE INTERCHANGEABLE WITH OPPOSITE SIDE

NOTE: ALWAYS USE ORIGINAL EQUIPMENT PARTS. Use of service/replacement parts other than original equipment parts may void your warranty.

63023/3583-35-36 Eng./2-10-87/RR JY

LIGHT GROUND ENGAGING TRACTOR MODELS 3583-35 & 3583-36

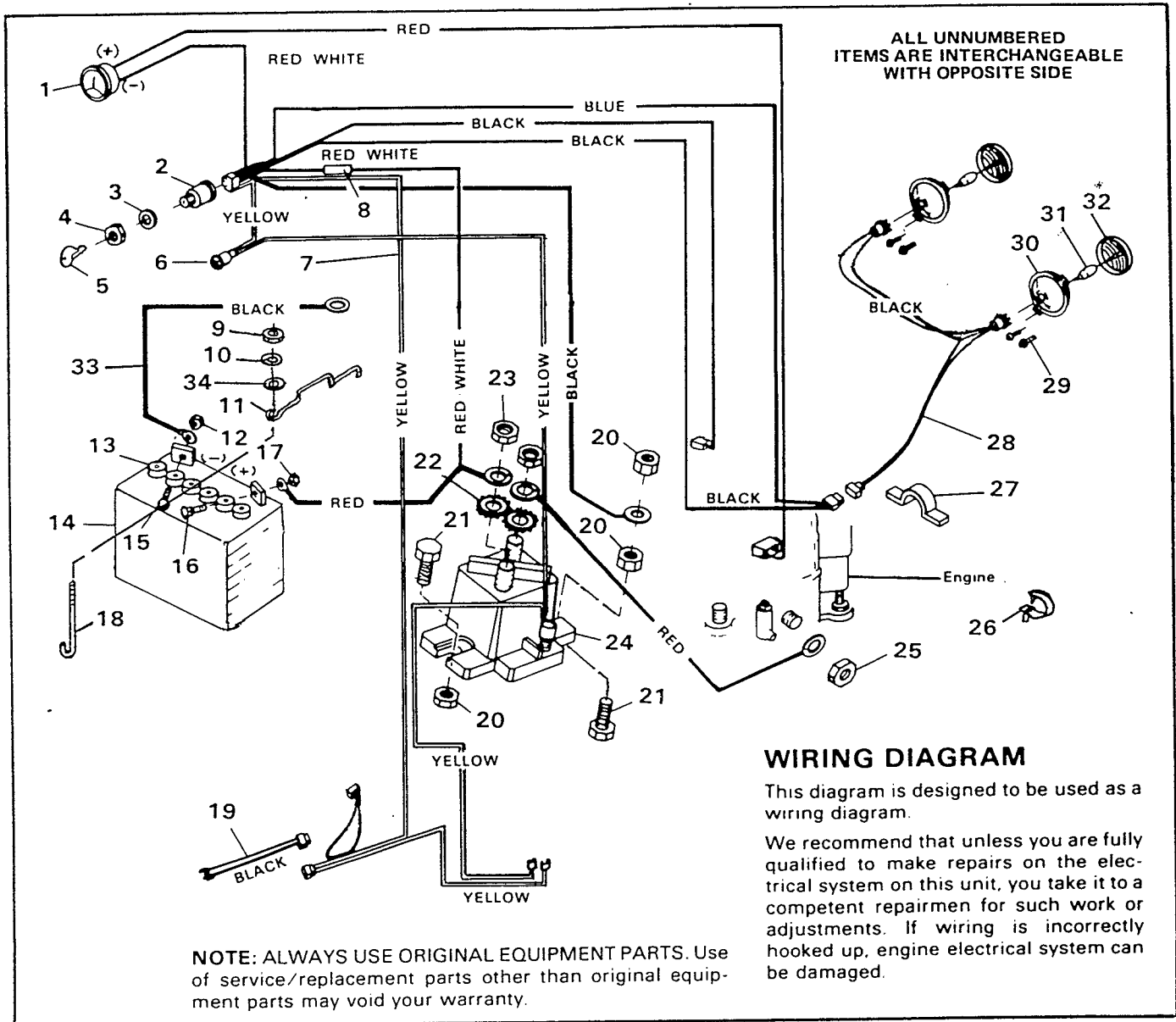
Key No.	Part No.	Description
1	49318	Belt Retainer
2	57736	Pulley, Idler
3	120918	*Screw, Hex Hd, 3/8-16 x 1 1/2 In.
4	49330	V-Belt
5	55724	Pin, Pivot
6	50613	Bracket, Pivot
7	9413534	Locknut, 3/8-16 Thd.
8	9413447	Locknut, 5/16-18 Thd.
9	49059	Bar Hitch, Straight
10	56180	Hair Pin Cotter
11	47816	Pin, Clevis, Short
12	49058	Bracket, Lock
13	120228	*Screw, Hex Hd, 5/16-18 x 5/8 In.
14	48676	Lift Support Plate
15	57564	Wire Assembly
16	57476	Switch
17	57514	Bracket, Idler Arm
18	57220	Screw, Taptite
19	47516	Shoulder Bolt
20	996425	Flatwasher, 1/2 In.
21	20864	Retaining Ring
22	57571	Bracket, Upstop
23	120386	*Flatwasher, 5/16 In.
24	57321	Spring
25	57558	Rod, Upstop
26	57570	Quadrant
27	122040	*Screw, Hex Hd, 5/16-18 x 1 1/2 In.
28	9424215	Locknut, 1/4-20 Thd.
29	271172	*Keps Nut, 1/4-20 Thd.
30	57448	Clutch Lever
31	46478	Hand Grip
32	180024	*Screw, Hex Hd, 1/4-20 x 1 1/2 In.
33	49326	Clutch Cable
34	41482	Press Clip
35	122052	*Screw, Hex Hd, 5/16-18 x 1 3/4 In.
36	49332	Pin, 3/8 x 1 In.
37	39298	Pulley, Nylon
38	8260	Hairpin Cotter
39	121222	*Cotter Pin, 3/32 x 3/4 In.
40	49320	Support, Cable Pulley
41	53571	Chute, Discharge
42	56386	Wheel, Deck
43	56627	Bracket, Arm Crank
44	56380	Wheel Axle
45	56628	Bracket, Arm
46	56626	Skid, R.H.
47	56381	Cable
48	271184	*Keps Nut, 5/16-18 Thd.
49	120230	*Carriage Bolt, 5/16-18 x 1 1/4 In.
50	56611	Shoulder Bolt

Key No.	Part No.	Description
51	68882	Decal, Height Adjust
52	68542	Decal, Caution
53	49316	Brake Lever Assy.
54	35410	Spring
55	41601	Rivet
56	41471	Pad, Brake
57	120393	*Flatwasher, 5/16 In.
58	55106	Belt Guard, R.H.
59	122007	*Screw, Hex Hd, 5/16-18 x 3/4 In.
60	50683	Brake Rod
61	52112	Clutch-Brake Arm Assembly
62	49331	Spring, Clutch
63	51183	Eyebolt, 5/16-18 Thd.
64	68883	Decal, No Step
65	55105	Belt Guard, L.H.
66	56283	Quill Assembly
67	51445	Locknut, Flange, 7/16-20 Thd.
68	56365	Flatwasher
69	56391	Pulley, Quill
70	56280	Spacer
71	49562	Bearing
72	50818	Spacer Tube
73	55547	Quill Casting
74	50616	Dust Shield
75	56623	Saddle & Shaft Assembly
76	39573	Screw, Hex Hd, 3/8-24 x 1 In.
77	2483	Formed Washer
78	56370	Blade, 14 1/2 In.
79	49321	Skid, L.H.
80	50634	Screw, Hex Wa.Hd, Tap, 5/16-18 x 7/8 In.
81	53896	Mower Deck
82	55880	Lift Cable
83	57569	Retainer, Wire
84	120372	Nut, Square, 1/4-20 Thd.
85	39404	Clevis, Lift Cable
86	42424	Support, Pivot Tube
87	39522	Pin, Clevis
88	49322	Brace, Pivot Tube
89	57573	Pivot Tube Assembly
90	50092	Angle Bracket
91	57444	Wire Tie
92	52584	Wheel
93	23763	Axle, Deck Wheel
94	56377	Bracket, Adjust
95	995338	Screw, Taptite, 1/4-20 x 5/8 In.
96	57319	Spring
97	57324	Screw, Latch
98	57329	Lever, Height Adjust
99	56924	Grip, Height Adjust Lever
100	122017	*Screw, Hex Hd, 5/16-18 x 1 In.

*Standard Hardware Items - May Be Purchased Locally.

030423/3583-35-36 Eng./2-10-8/HR/JY

LIGHT GROUND ENGAGING TRACTOR MODELS 3583-35 & 3583-36



Key No.	Part No.	Description
1	39463	Ammeter
2	52583	Switch, Ignition w/Keys
3	138557	Lockwasher (Switch Part)
4	48140	(Switch Part)
5	49643	Key, Ignition
6	45333	Indicator Light
7	57675	Wire Harness Assembly
8	49211	Fuse
9	120375	Nut, Hex, 1/4-20 Thd.
10	120380	Lockwasher, Split, 1/4 In.
11	57552	Bracket, Battery, Hold-Down
12	271172	*Nut, Keps, 1/4-20 Thd.
13	40892	Cap, Battery
14	52936	Battery
15	126203	*Carriage Bolt, 1/4-20 x 5/8 In.
16	126216	*Carriage Bolt, 5/16-18 x 3/4 In.
17	271184	*Nut, Keps, 5/16-18 Thd.

Key No.	Part No.	Description
18	57551	Battery Rod
19	57564	Wire Assembly, Deck Switch
20	9424215	Locknut, Hex, 1/4-20 Thd.
21	187745	*Screw, Hex Hd, 1/4-20 x 3/4 In.
22	138485	*Washer, Ext., Shakeproof, 5/16 In.
23	120368	*Nut, Hex, 5/16-24 Thd.
24	53716	Solenoid
25		Engine Part
26	54888	Wire Retainer
27	41482	Wire Clip, Press
28	56189	Lead Wire, Headlight
29	50668	Screw, Hex Wa. Hd, No. 10-14 x 1/2 In.
30	52571	Bezel, Headlight
31	52572	Bult, Headlight
32	52570	Lens, Headlight
33	55511	Ground Wire
34	120392	*Flatwasher, 1/4 In.

*Standard Hardware Items - May Be Purchased Locally.

3583-35-36 ENG / 2-10-81 / HH JY