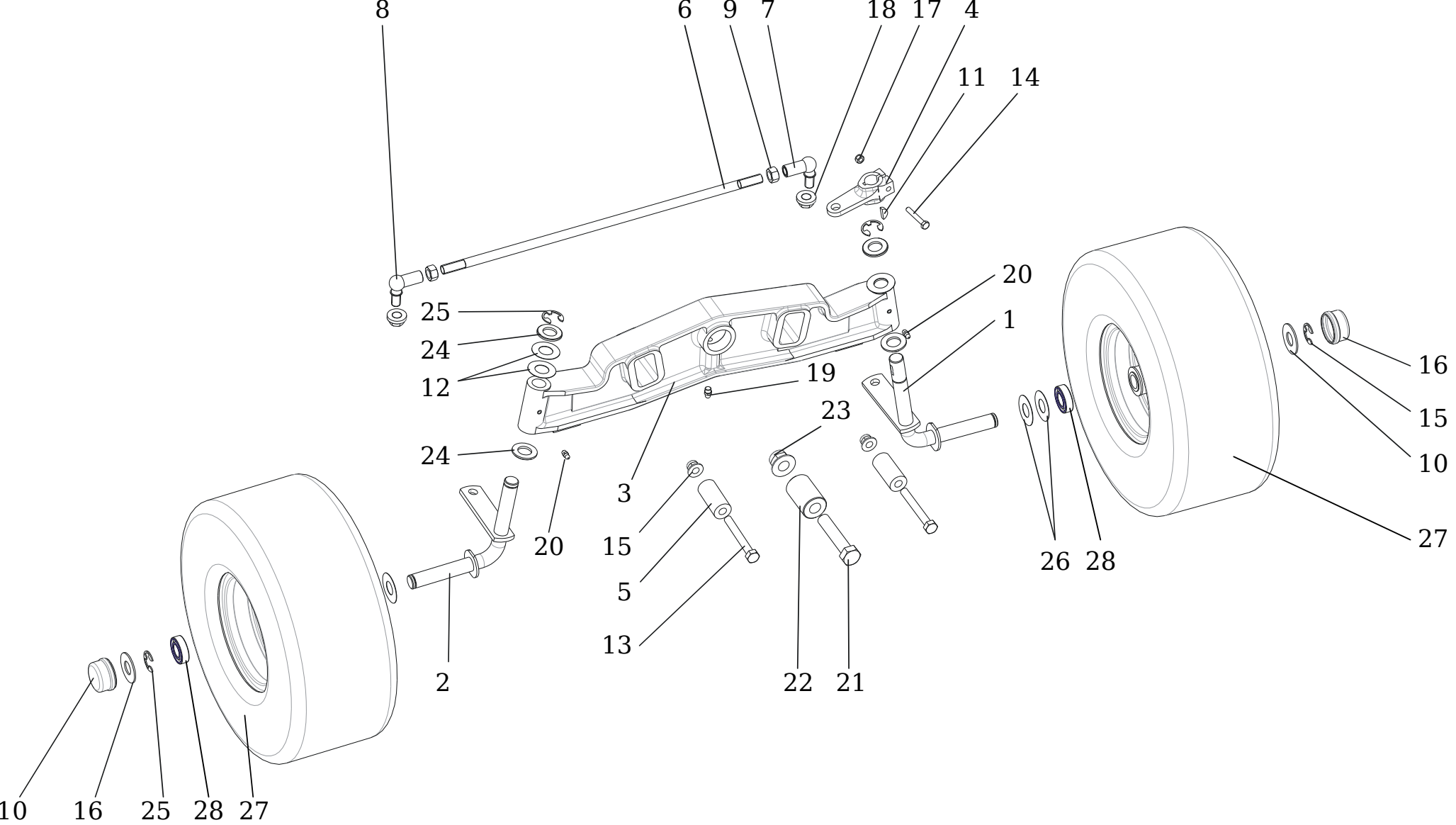
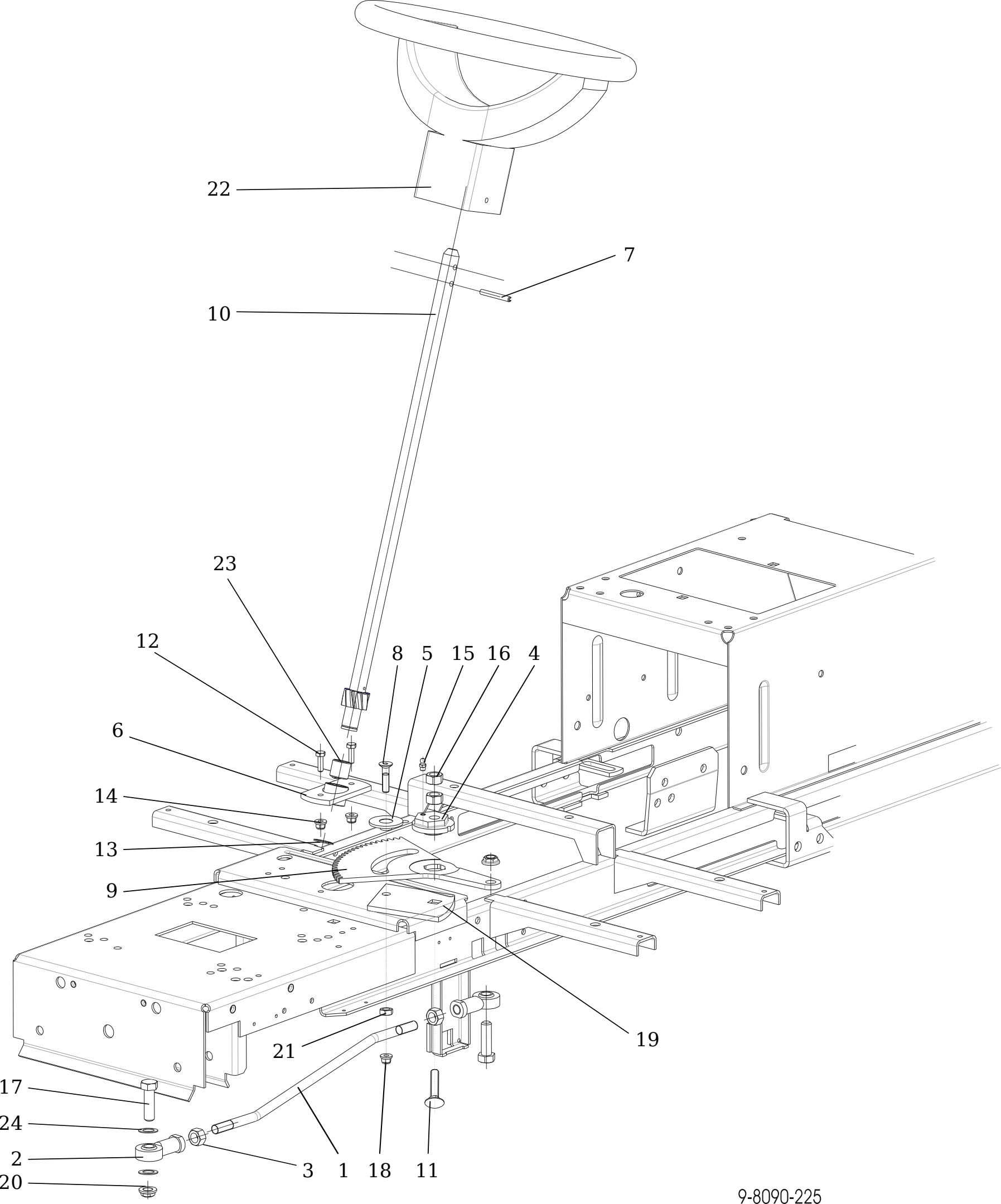


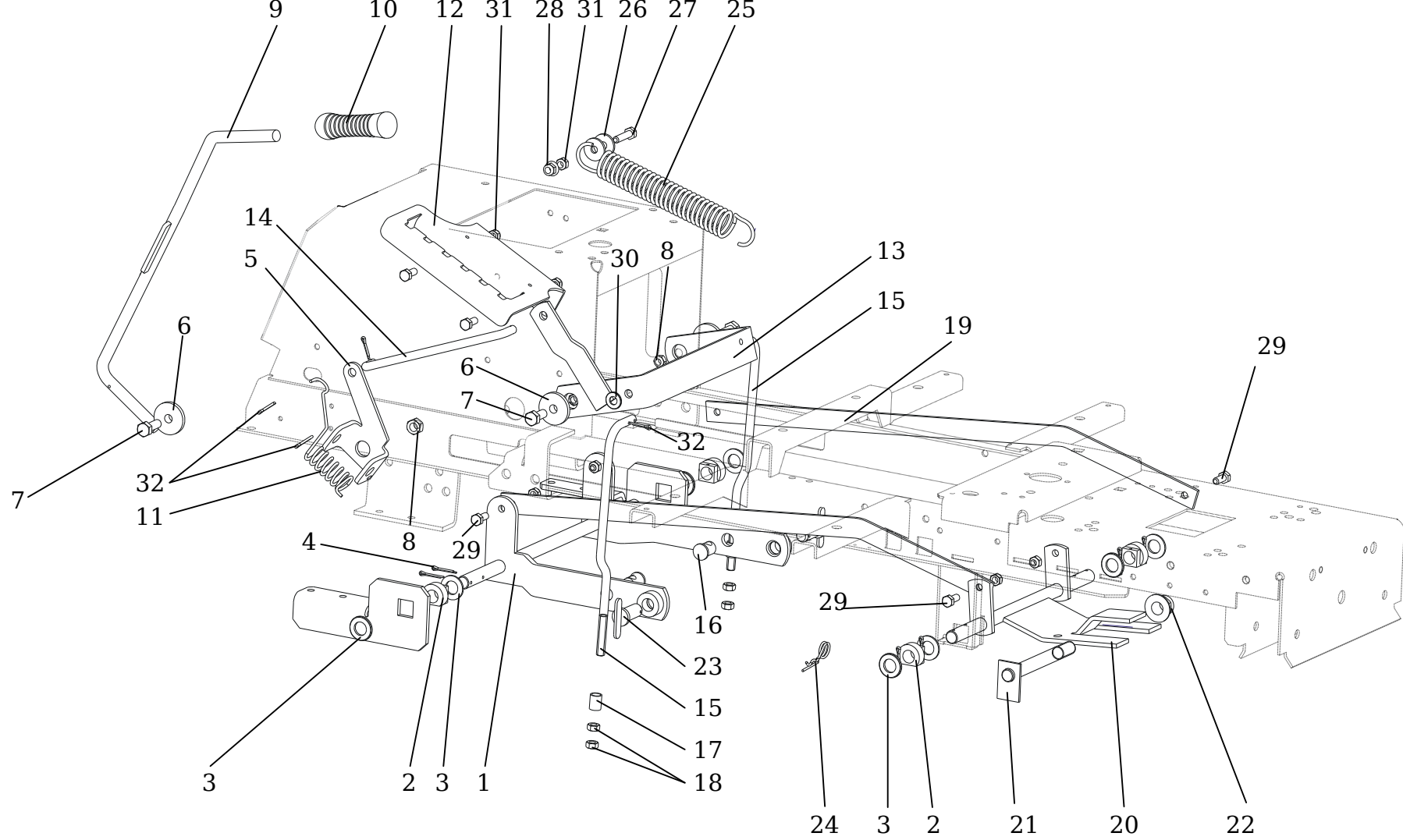
POS	QTY	PARTNUMBER	BESKRIVELSE	DESCRIPTION
1	1	423303	MOTOR 17,5	ENGINE 17,5 INTEK BRIGGS
2	1	423304	BOLT M8X40	SCREW M 8X40
3	1	423305	UDSTØDNING	EXHAUST NELSON 24772 N
4	1	423306	SKIVE M8	WASHER 8
5	1	423307	MØTRIK M8	NUT M 8 DIN 6926 8 ZINC
6	1	423308	SKRUE	SCREW VYF.IMBUS 5/16X3/4 UNC ZINC
7	1	423309	NOT	SPRING FOR ENGINE BS 12+15HP
8	1	423310	LABEL	LABEL 0-8732-337
9	1	423311	KROG	HOOK 0-9242-240
10	1	423312	SKRUE M8X25	SCREW M 8X25 KL 100 RIPP V ZINC
11	1	423313	GASREGULERING	THROTTLE LEVER 25-1105 9- 8071-275
12	1	423314	GASGREB	THROTTLE LEVER 0-8060-239
13	1	423315	SKRUE M4C14	SCREW M 4X14 021131.25
14	1	423316	MØTRIK M4	NUT M4
15	1	423317	BESLAG	REINFORCEMENT
16	1	423318	MØTRIK W1/4-20	NUT W1/4-20 UNC ZINC.
17	1	423319	SKRUE M5X16	SCREW M 5X16
18	1	423320	MØTRIK M5	NUT M5
19	1	423321	SKRUE M6X16	SCREW M6X16
20	1	423322	SKIVE M6,4	WASHER 6.4
21	1	423323	SKIVE M6	WASHER 6
22	1	423324	DÆKSEL UDSTØDNING	EXHAUST COVER
23	1	423325	UDSTØDNINGSRØR 15,5PH	EXHAUST TUBE COMPL. 15,5HP
24	1	423326	HOLDER	HOLDER
25	1	423327	SKRUE ST 6.3X19	SCREW ST 6.3X19 DIN7504-K BN1880
26	1	423328	STRAMMERULLE	ENGINE PULLEY 9-3325-289



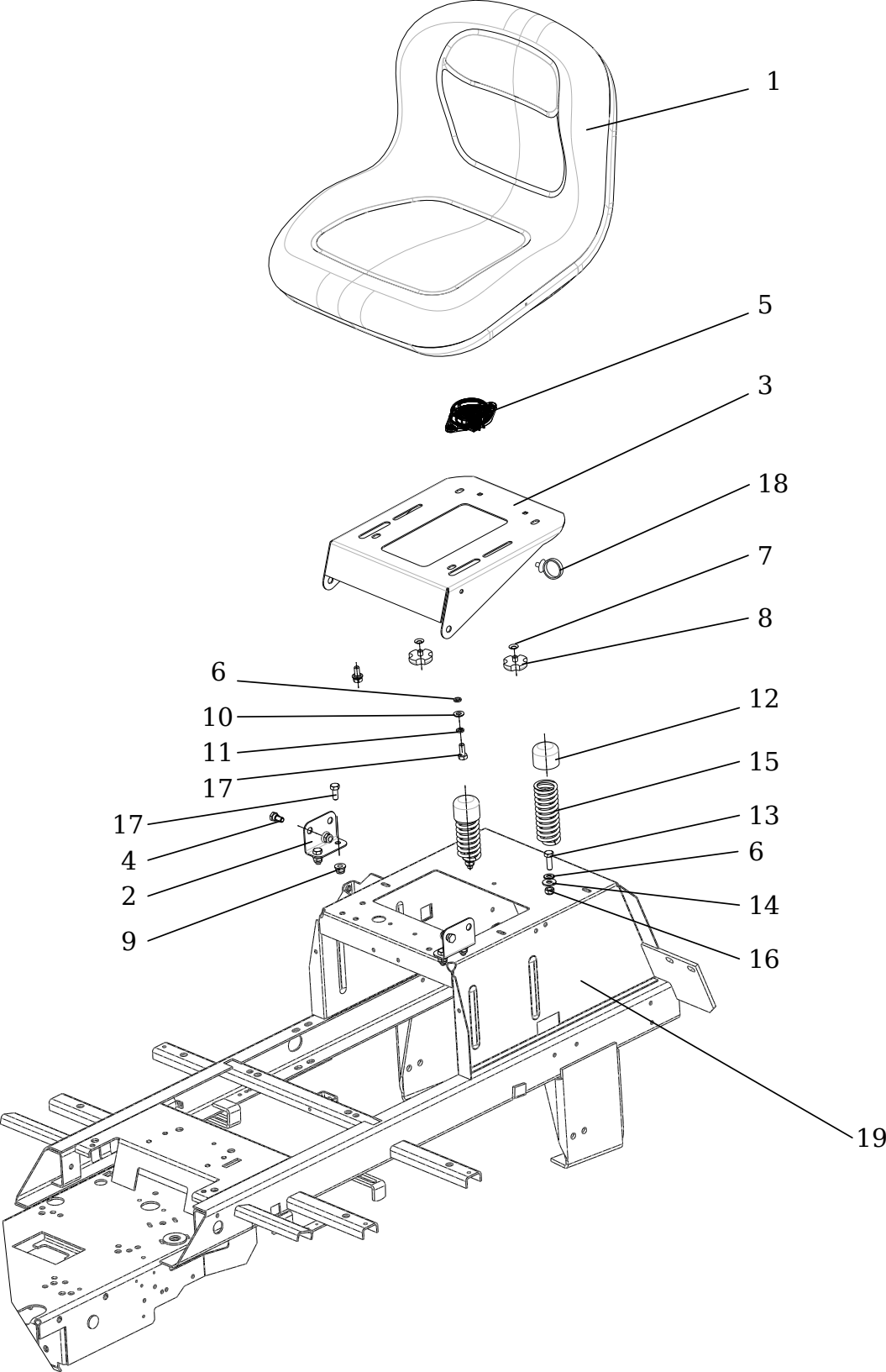
POS	QTY	PARTNUMBER	BESKRIVELSE	DESCRIPTION
1	1	423329	SPINDEL VENSTRE VENSTRE	LEFT PIN
2	1	423330	SPINDEL HØJRE HØJRE	RIGHT PIN
3	1	423331	AKSEL	AXLE
4	1	423332	SPINDEL HOLDER	LEVER
5	1	423333	BØS	SPACER
6	1	423334	STANG	CONNECTING ROD 0-9010-569
7	1	423335	STYRKUGLE	ANGULAR JOINT 16 R DIN71802CS M12
8	1	423336	STYRKUGLE	ANGULAR JOINT 16 L DIN71802CS M12
9	1	423337	MØTRIK M12 LINKS	NUT M12 LEFT
10	1	423338	HJULKAPSEL	COVER 0-8025-237
11	1	423339	NOT 5E7X7.5	WOODRUFF KEY 5E7X7.5
12	1	423340	SKIVE 19	WASHER 19
13	1	423341	BOLT M10X80	SCREW M 10X80
14	1	423342	BOLT M6X40	SCREW M 6X40
15	1	423343	MØTRIK M10 DIN 6926	NUT M 10 DIN 6926 ZINC
16	1	423344	SKIVE	WASHER
17	1	423345	MØTRIK M6	NUT M 6
18	1	423346	MØTRIK M12 DIN 6923	NUT M 12 DIN 6923 8 ZINC. TOOTHED
19	1	423347	SMØRENIPPEL MK8X1	LUBRICATING HEAD MK 8X1
20	1	423348	SMØRENIPPEL MK6X1	LUBRICATING HEAD MK 6X1
21	1	423349	SKRUE M8X90	SCREW M 8X90
22	1	423350	PIN	PIN
23	1	423351	MØTRIK M16 DIN 6926	NUT M 16 DIN 6926
24	1	423352	SKIVE	WASHER
25	1	423353	LÅSERING 15 15	LOCK RING 15
26	1	423354	SKIVE	WASHER
27	1	423355	HJUL KOMPLET 15X6.0-62	WEEL FR. 15X6.0-6 2PR TURF SAVER
28	1	423356	LEJE 03-APR	FRONT WHEEL BEARING 3/4 COMPENSA



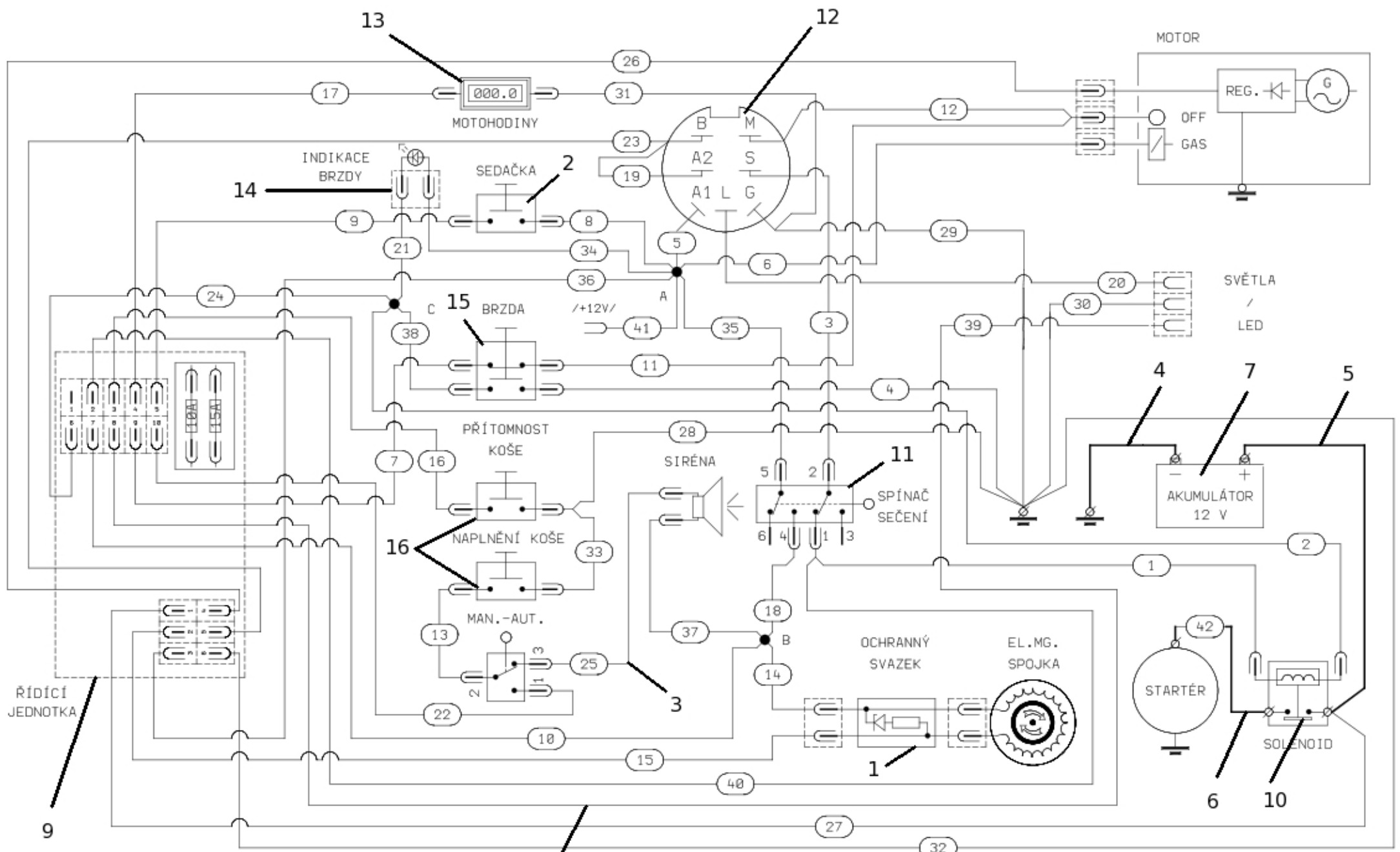
POS	QTY	PARTNUMBER	BESKRIVELSE	DESCRIPTION
1	1	423357	KARDANLED	DRIVING ROD 0-8041-321
2	1	423358	BESLAG	JOINT HEAD PHS 12 CN
3	1	423359	MØTRIK M12	NUT M 12
4	1	423360	BESLAG	ECCENTRIC
5	1	423361	BØS	SPACER
6	1	423362	LEJE	BEARING
7	1	423363	STIFT 6X45	SPRING PIN 6X45
8	1	423364	SKRUE M8X35	SCREW M 8X35 DIN 7991 10.9 ZINC
9	1	423365	BESLAG	TOOTHED SEGMENT
10	1	423366	RATSTAMME	COMPLETE PINION
11	1	423367	SKRUE M12X55.8.8 A3L ISO 8677	SCREW M 12X55.8.8 A3L ISO 8677
12	1	423368	SKRUE M6X20	SCREW M 6X20
13	1	423369	LÅSERING 19	LOCK RING 19
14	1	423370	MØTRIK M6 DIN 6926	NUT M 6 DIN 6926
15	1	423348	SMØRENIPPEL MK6X1	LUBRICATING HEAD MK 6X1
16	1	423359	MØTRIK M12	NUT M 12
17	1	423371	SKRUE M12X40	SCREW M12X40
18	1	423372	MØTRIK M8	NUT M 8
19	1	423373	SKIVE	WASHER
20	1	423346	MØTRIK M12 DIN 6923	NUT M 12 DIN 6923 8 ZINC. TOOTHED
21	1	423374	MØTRIK DIN 6923 M8	NUT M8 DIN 6923 8 ZINC. TOOTHED
22	1	423375	RAT	STEERING WHEEL M 2000 LABEL - N28329267
23	1	423376	BØS 1920	BUSHING 1920 KU
24	1	423377	SKIVE M12	WASHER 12



POS	QTY	PARTNUMBER	BESKRIVELSE	DESCRIPTION
1	1	423378	ARM	LIFTING ARM
2	1	423379	BØS	BUSHING 0-9462-202
3	1	423380	SKIVE M17	WASHER 17
4	1	423381	SPLIT 3.2X25	SPINDLE 3.2X25
5	1	423382	BESLAG	LEVER HOLDER
6	1	423383	SKIVE	WASHER
7	1	423384	SKRUE M10X30	SCREW M 10X30
8	1	423385	MØTRIK M10	NUT M 10
9	1	423386	ARM	LIFTING LEVER
10	1	423387	GREB SORT	HOLDER 511-035-14 (32X114) BLACK
11	1	423388	FJEDER	SPRING 0-9746-504
12	1	423389	BESLAG	LIFTING SEGMENT
13	1	423390	BESLAG	LIFTING HOLDER
14	1	423391	STANG	LIFTING ROD 0-8041-324
15	1	423392	STANG	LIFTING ROD 0-8042-265
16	1	423393	STIFT	PIN
17	1	423394	BØS	SPACER
18	1	423395	MØTRIK M10	NUT M 10
19	1	423396	STANG	ROD
20	1	423397	ARM	LIFTING ARM
21	1	423398	AKSEL	SHAFT
22	1	423351	MØTRIK M16 DIN 6926	NUT M 16 DIN 6926
23	1	423399	STIFT	PIN COMPLETE
24	1	423400	SPLIT	FLEXIBLE SPINDLE 0-9245- 999
25	1	423401	FJEDER	SPRING 0-9746-460
26	1	423402	SKIVE 9	WASHER 9 ZINC
27	1	423403	BOLT M8X35	SCREW M 8X35
28	1	423307	MØTRIK M8	NUT M 8 DIN 6926 8 ZINC
29	1	423404	SKRUE M8X25	SCREW M 8X25
30	1	423405	SKIVE 10.5	WASHER 10.5
31	1	423406	MØTRIK M8	NUT M 8
32	1	423407	SPLIT 3.2X20	SPINDLE 3.2X20



POS	QTY	PARTNUMBER	BESKRIVELSE	DESCRIPTION
1	1	423408	SÆDE	SEAT XH 150 MILSCO
2	1	423409	BESLAG	CARRIER HOLDER
3	1	423410	BESLAG SÆDE	SEAT CARRIER
4	1	423411	BOLT	CARRIER SCREW 0-9016-427
5	1	423412	SÆDEKONTAKT	SEAT SWITCH DELTA 6500-02
6	1	423413	SKIVE 8X12X2	WASHER BN 739 8X12X2
7	1	423414	SKIVE 8.4	WASHER 8.4 ZINK
8	1	423415	LÅSEMØTRIK M8X18	STOPPING NUT M8X18 PR.40 BLACK
9	1	423307	MØTRIK M8	NUT M 8 DIN 6926 8 ZINC
10	1	423416	SKIVE M8.4	WASHER 8.4
11	1	423306	SKIVE M8	WASHER 8
12	1	423417	DÆKSEL	COVER 38/A PVC BLACK
13	1	423404	SKRUE M8X25	SCREW M 8X25
14	1	423418	SKIVE M8X25	WASHER 9 ZINC
15	1	423419	FJEDER	SPRING 0-9746-434
16	1	423406	MØTRIK M8	NUT M 8
17	1	423420	BOLT M8X20	SCREW M8X20
18	1	423421	CLIPS	CLIP WSBH 1-0-1
19	1	423422	CHASSIS	COMPLETE FRAME



	M	G	A1	B	S	L	A2
0	•	•	•				•
1			•	•			•
2			•	•			
3			•	•	•		

Řídicí JEDNOTKA

9

8

14

13

12

MOTOR

REG.

OFF

GAS

SVĚTLA

/ LED

PŘÍTOMNOST KOŠE

NAPLNĚNÍ KOŠE

MAN.-AUT.

INDIKACE BRZDY

SEDÁČKA

BRZDA

MOTOHODINY

SIRÉNA

OCHRANNÝ SVAZEK

EL. MG. SPOJKA

AKUMULÁTOR 12 V

STARTÉR

SOLENOID

SVĚTLA / LED

SPÍNAČ SEČENÍ

MOTOR

REG.

OFF

GAS

M

G

A1

B

S

L

A2

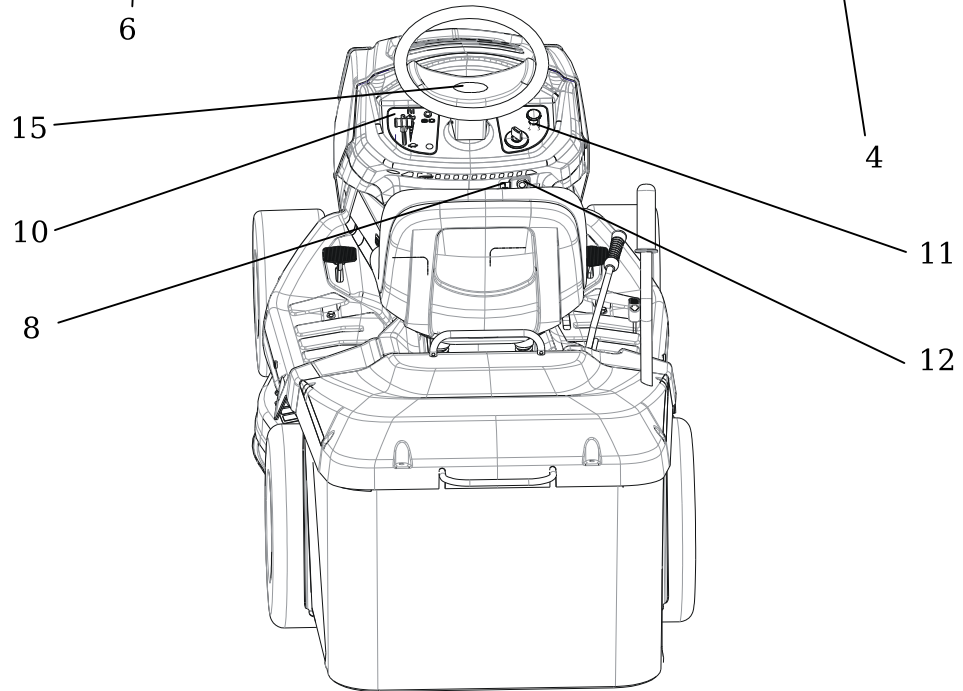
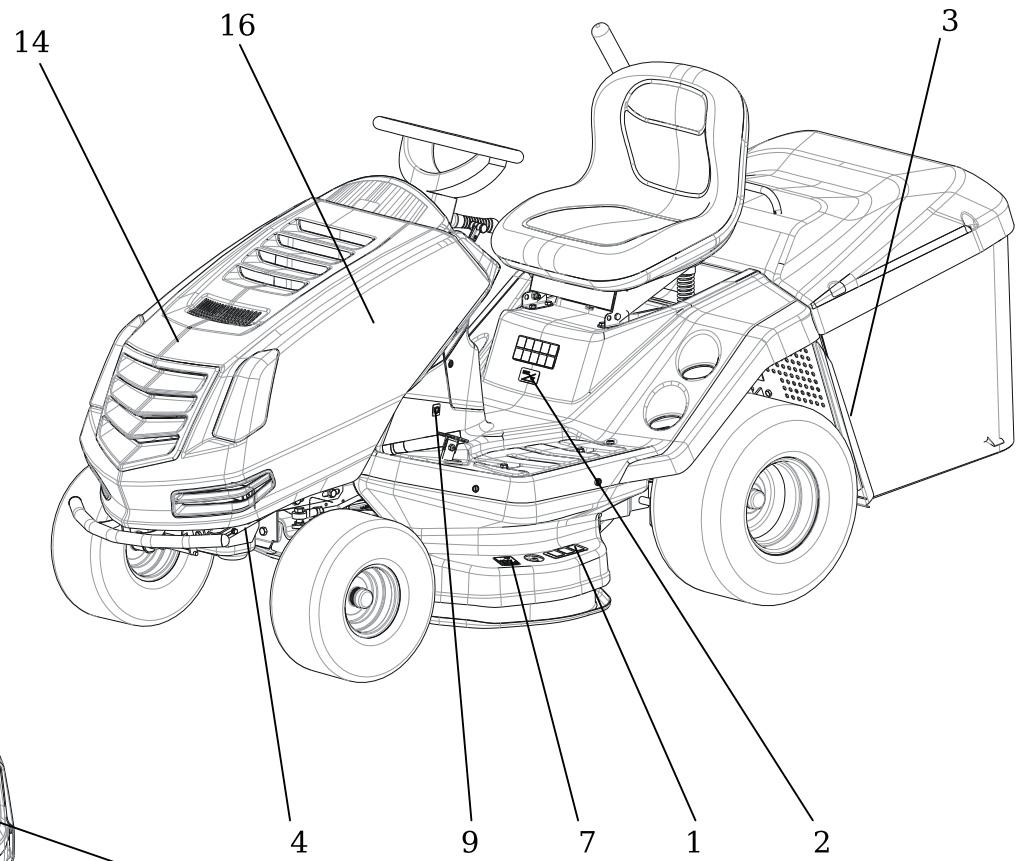
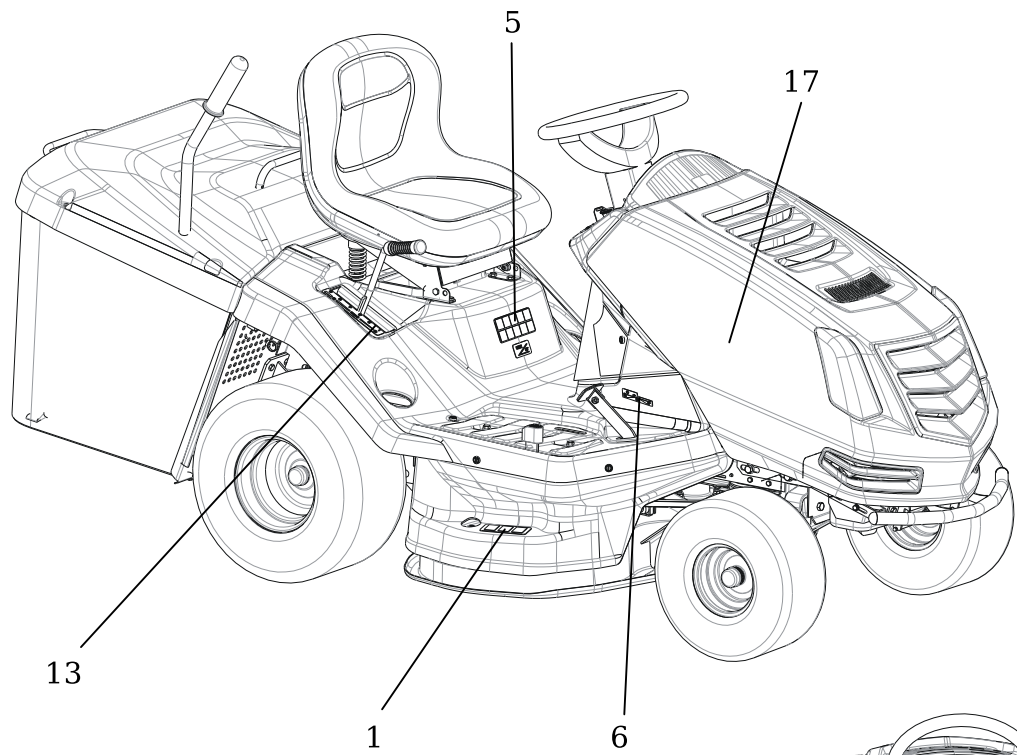
0

1

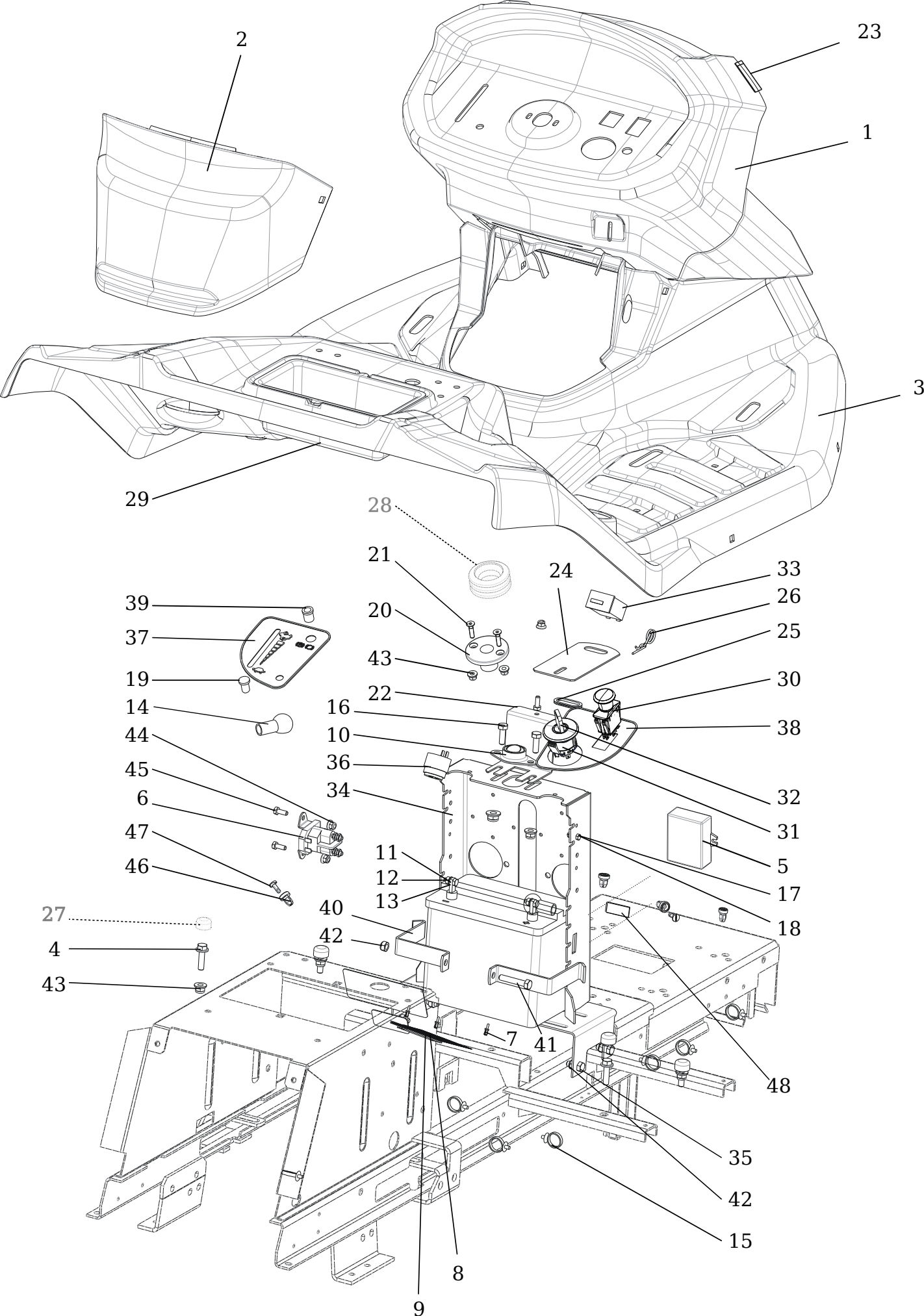
2

3

POS	QTY	PARTNUMBER	BESKRIVELSE	DESCRIPTION
1	1	423423	PÆRE	PROTECTIVE DIODES HARNESS 9-8316-
2	1	423412	SÆDEKONTAKT	SEAT SWITCH DELTA 6500-02
3	1	423424	KABEL	CONNECTING CABLE 9-8316- 612
4	1	423425	STELLEDNING	CABLE 9-8316-553
5	1	423426	PLUSKABEL	VODI? 9-8316-624 SOLENOID+AKUMUL.
6	1	423427	LEDNING	CABLE 9-8316-570
7	1	423428	BATTERI 12V-24AH	BATTERY 12V-24AH DRY,CHARGED
8	1	423429	LEDNINGSNET	SVAZEK EL. VODI?? KS 004034
9	1	423430	BATTERIKASSE	MODULE KS 004022 AJ0410
10	1	423431	STARTRELÆ	SOLENOID 12V CLUM 94255
11	1	423432	KONTAKT PTO	SWITCH PTO DELTA 6201-321
12	1	423433	KONTAKT OPSAMLER	SWITCH BOX DELTA 6900-47 P
13	1	423434	TIMETÆLLER	HOUR-METER SEN DEC DIGITAL
14	1	423435	LYSINDIKATOR	LIGHT INDICATOR KS 004016
15	1	423436	KONTAKT BREMSE	SWITCH DELTA 6710-01B
16	1	423437	KONTAKT	MICROSWITCH MKH 12 D 13- S1

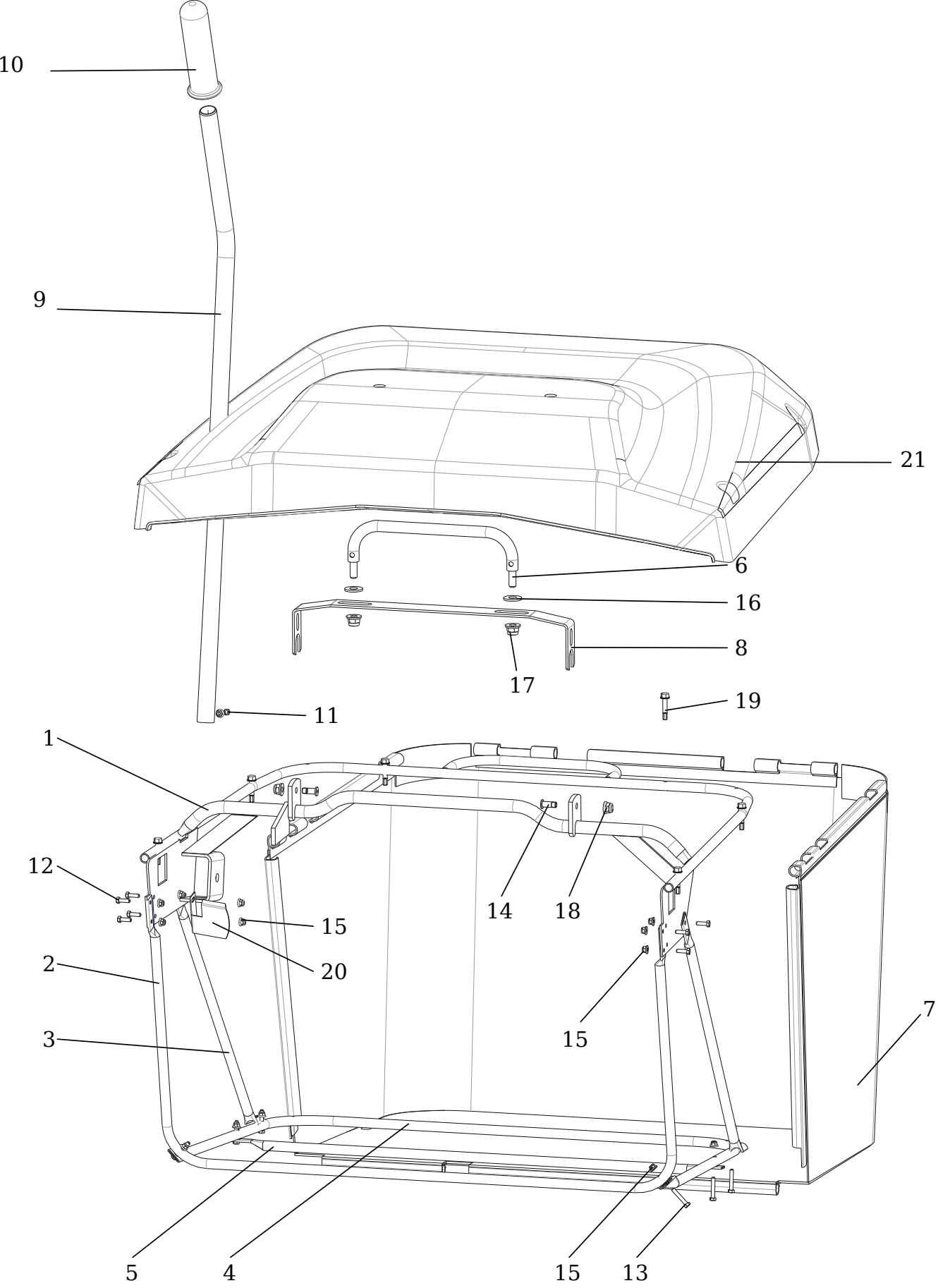


POS	QTY	PARTNUMBER	BESKRIVELSE	DESCRIPTION
1	1	423438	LABEL	LABEL 0-8730-510
2	1	423439	LABEL SLOPE	LABEL 0-8732-251 SLOPE
3	1	423440	LABEL	LABEL 0-8732-311
4	1	423310	LABEL	LABEL 0-8732-337
5	1	423441	LABEL	LABEL 0-8732-336
6	1	423442	LABEL	LABEL 0-8732-444
7	1	423443	LABEL NOISE	LABEL 0-8732-559 NOISE
8	1	423444	LABEL	LABEL 0-8732-841
9	1	423445	LABEL	LABEL 0-8732-842
10	1	423446	LABEL PANEL	LABEL 0-8732-943 PANEL L
11	1	423447	LABEL PANEL	LABEL 0-8732-944 PANEL P
12	1	423448	LABEL RØD	LABEL 0-8732-952 RED
13	1	423449	LABEL LØFT	LABEL 0-8732-939 LIFTING
14	1	423450	LABEL	LABEL 1-8732-274
15	1	423451	LABEL RAT	LABEL FOR STEERING WHEEL M2000
16	1	423452	LABEL	LABEL. 0-8732-955
17	1	423453	LABEL	LABEL 0-8732-956

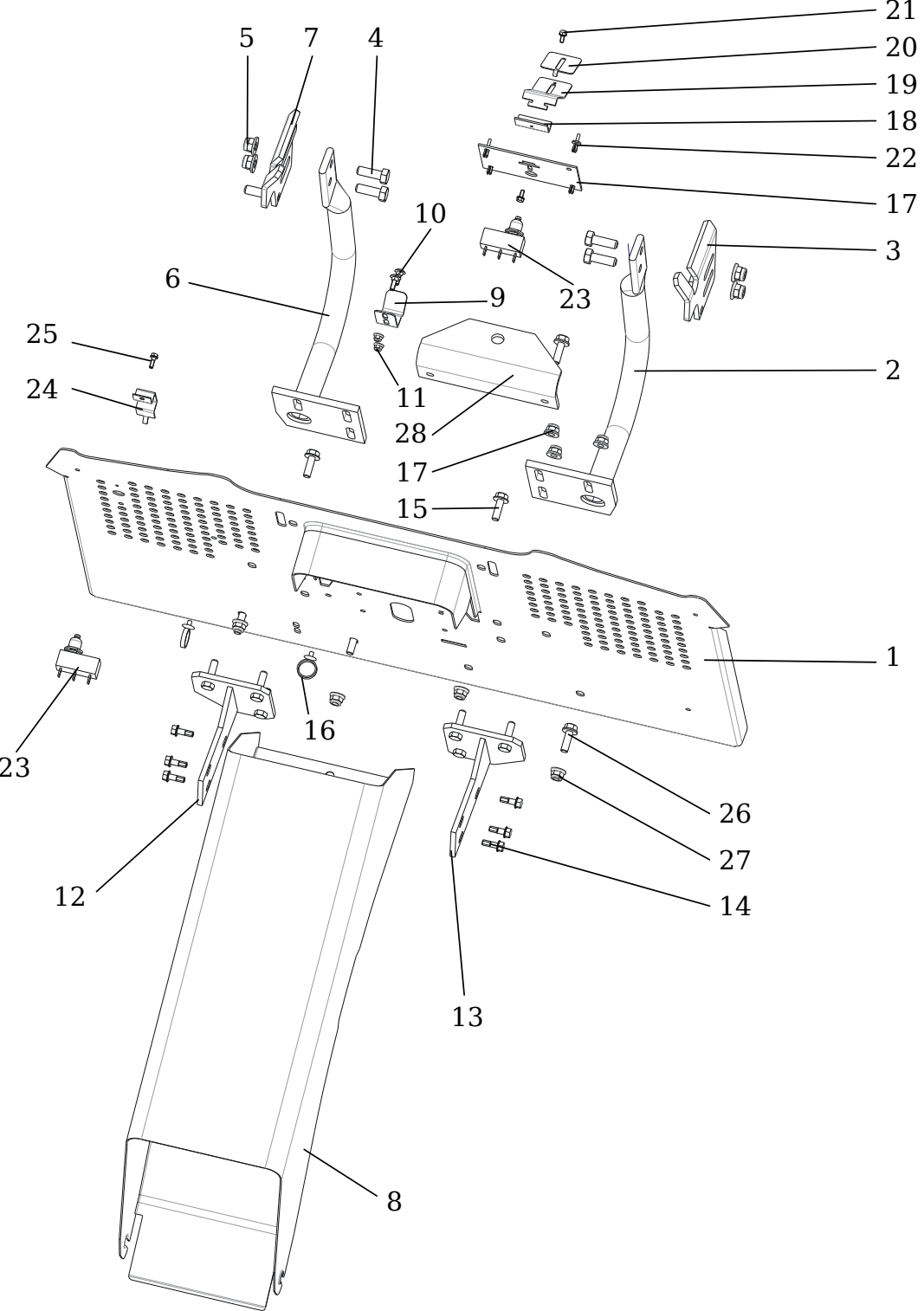


POS	QTY	PARTNUMBER	BESKRIVELSE	DESCRIPTION
1	1	423454	PANEL	PANEL 9-8048-201 CADILAC
2	1	423455	BATTERI DÆKSEL	BATTERY COVER 08-8547-807
3	1	423456	CHASSIS	FLOOR 9-1847-335 CADILAC
4	1	423457	BOLT M8X30	SCREW M 8X30 DIN 6921 8.8 ZINC
5	1	423430	BATTERIKASSE	MODULE KS 004022 AJ0410
6	1	423431	STARTRELÆ	SOLENOID 12V CLUM 94255
7	1	423458	NITTE	RIVET 282702
8	1	423441	LABEL	LABEL 0-8732-336
9	1	423439	LABEL SLOPE	LABEL 0-8732-251 SLOPE
10	1	423459	KUGLELEJE	BALL BEARING FL M12
11	1	423368	SKRUE M6X20	SCREW M 6X20
12	1	423322	SKIVE M6,4	WASHER 6.4
13	1	423345	MØTRIK M6	NUT M 6
14	1	423460	PROP	COVER 273 125 020 050
15	1	423421	CLIPS	CLIP WSBH 1-0-1
16	1	423404	SKRUE M8X25	SCREW M 8X25
17	1	423461	BOLT M5X16	SCREW M 5X16
18	1	423462	MØTRIK M5	NUT M 5 DIN 6926 ZINC
19	1	423463	FLANGE SORT	BLIND FLANGE BS 11/15 BLACK
20	1	423464	BØS	STEERING WHEEL BUSHING 0-1652-226
21	1	423465	BOLT M6X55	SCREW M 6X25 DIN7991 10.9 ZINC
22	1	423466	HOLDER	HOLDER
23	1	423467	LISTE	SEAM LACE
24	1	423468	HOLDER	HOLDER
25	1	423469	GUMMIKRAVE 22X2	RUBBER SLEEVE 22X2
26	1	423470	SPLIT	FLEXIBLE SPINDLE 0-9245-233
29	1	423471	SKÆRM	CASE 0-8642-236
30	1	423432	KONTAKT PTO	SWITCH PTO DELTA 6201-321
31	1	423433	KONTAKT OPSAMLER	SWITCH BOX DELTA 6900-47 P
32	1	423472	STARTNØGLE	STARTING KEY DELTA 688P-001
33	1	423434	TIMETÆLLER	HOUR-METER SEN DEC DIGITAL
34	1	423473	HOLDER INSTRUMENTPANEL	COLUMN
35	1	423474	SKRUE M8X16	SCREW M 8X16
36	1	423475	STIK	BUZZER PF 27 A 29 EP
37	1	423446	LABEL PANEL	LABEL 0-8732-943 PANEL L
38	1	423447	LABEL PANEL	LABEL 0-8732-944 PANEL P
39	1	423435	LYSINDIKATOR	LIGHT INDICATOR KS 004016
40	1	423476	BATTERI HOLDER	BATTERY HOLDER
41	1	423477	BOLT M8X45	SCREW M8X45
42	1	423406	MØTRIK M8	NUT M 8
43	1	423307	MØTRIK M8	NUT M 8 DIN 6926 8 ZINC
44	1	423370	MØTRIK M6 DIN 6926	NUT M 6 DIN 6926
45	1	423321	SKRUE M6X16	SCREW M6X16
46	1	423478	SÆDE	SEATING D7-201-802-010

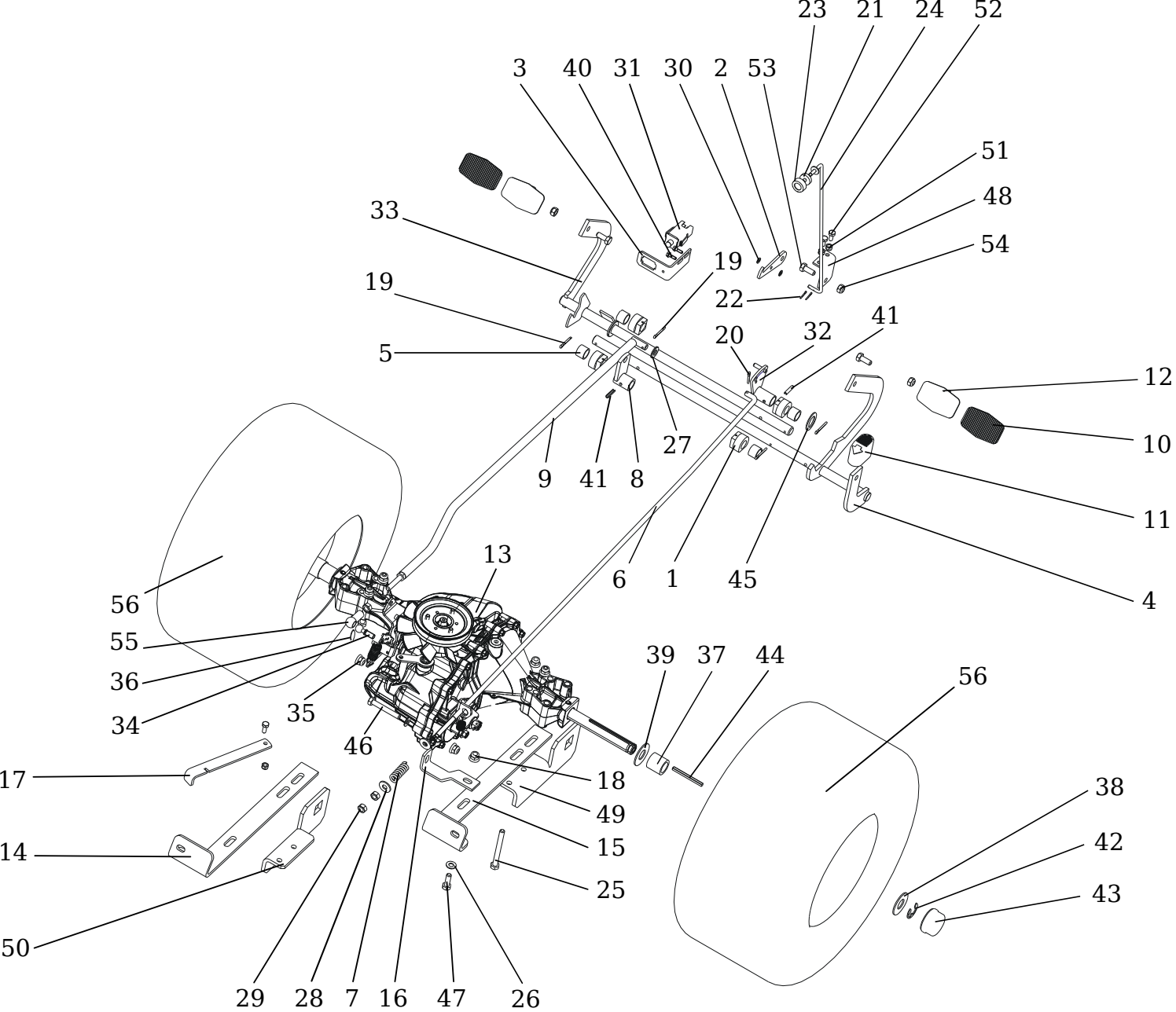
POS	QTY	PARTNUMBER	BESKRIVELSE	DESCRIPTION
47	1	423479	STUDS	STUD D7-201-711-010
48	1	423480	DÆKSEL	BLIND FLANGE G 20X15 (EUROPLAST)



POS	QTY	PARTNUMBER	BESKRIVELSE	DESCRIPTION
1	1	423481	CHASSIS TOP	TOP FRAME
2	1	423482	CHASSIS FRONT	FRONT PIPE
3	1	423483	STRUT	STRUT
4	1	423484	STANG	LOWER PIPE
5	1	423485	STANG	BRACE
6	1	423486	GREB	HANDLE COMPL.
7	1	423487	OPSAMLER	GRASS BAG 9-7432-202
8	1	423488	BESLAG	STIFFENER
9	1	423489	STANG	LEVER DUMPING
10	1	423490	GREB	HANDLE MOSS 10189
11	1	423491	BOLT M5X12	SCREW M 5X12
12	1	423461	BOLT M5X16	SCREW M 5X16
13	1	423492	BOLT M5X30	SCREW M 5X30
14	1	423493	BOLT M8X20	SCREW M 8X20 BN 1206
15	1	423462	MØTRIK M5	NUT M 5 DIN 6926 ZINC
16	1	423494	SKIVE	RONDELLE DE POIGNEE
17	1	423343	MØTRIK M10 DIN 6926	NUT M 10 DIN 6926 ZINC
18	1	423307	MØTRIK M8	NUT M 8 DIN 6926 8 ZINC
19	1	423495	BOLT ST6.3X32	SCREW ST 6.3X32 DIN 7504 K
20	1	423496	FJEDER	GRASS BOX-SPRING SNAPPER
21	1	423497	GRÆSOPSAMLER TOP	COVER 0-7447-275 CADILAC

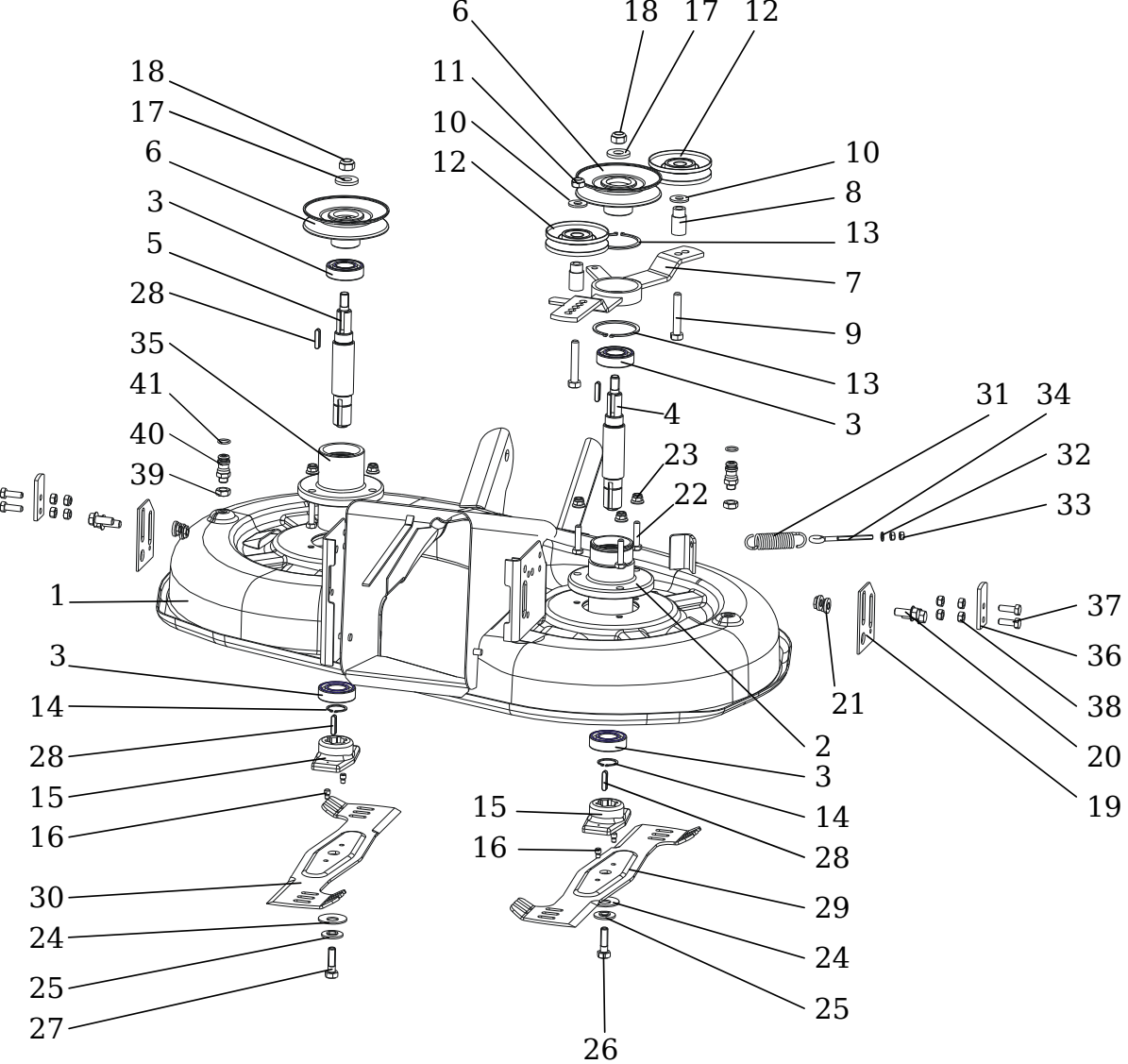


POS	QTY	PARTNUMBER	BESKRIVELSE	DESCRIPTION
1	1	423498	PLADE	GRASS COLLECTOR BOARD COMPL.
2	1	423499	HOLDER VENSTRE	LEFT HOLDER AJ92
3	1	423500	BESLAG VENSTRE	LEFT HOLDER
4	1	423384	SKRUE M10X30	SCREW M 10X30
5	1	423343	MØTRIK M10 DIN 6926	NUT M 10 DIN 6926 ZINC
6	1	423501	HOLDER HØJRE	RIGHT HOLDER AJ92
7	1	423502	BESLAG HØJRE	RIGHT HOLDER AJ92
8	1	423503	RØR	TUNNEL AJ92
9	1	423504	FJEDER	SPRING
10	1	423505	BOLT M5X16	SCREW M 5X16 ZINC
11	1	423462	MØTRIK M5	NUT M 5 DIN 6926 ZINC
12	1	423506	BESLAG HØJRE	RIGHT BOARD HOLDER
13	1	423507	BESLAG VENSTRE	LEFT BOARD HOLDER
14	1	423508	BOLT ST6.3X25	SCREW ST 6.3X25 DIN7504-K BN1880
15	1	423312	SKRUE M8X25	SCREW M 8X25 KL 100 RIPP V ZINC
16	1	423421	CLIPS	CLIP WSBH 1-0-1
17	1	423509	PLADE	BOARD
18	1	423510	HOLDER	HOLDER
19	1	423511	PLADE	BOARD
20	1	423512	PLADE	BOARD
21	1	423513	BOLT ST4,2X13	SCREW ST 4,2X13 DIN7504-K BN1880
22	1	423514	NITTE	RIVET SLIDE-IN D=10 PH=6
23	1	423437	KONTAKT	MICROSWITCH MKH 12 D 13- S1
24	1	423515	DÆKSEL	SWITCH COVER
25	1	423513	BOLT ST4,2X13	SCREW ST 4,2X13 DIN7504-K BN1880
26	1	423516	BOLT M8X25	SCREW M 8X25 DIN 6921 8.8 ZINC
27	1	423307	MØTRIK M8	NUT M 8 DIN 6926 8 ZINC
28	1	423517	ANHÆNGERTRÆK	TOW HITCH

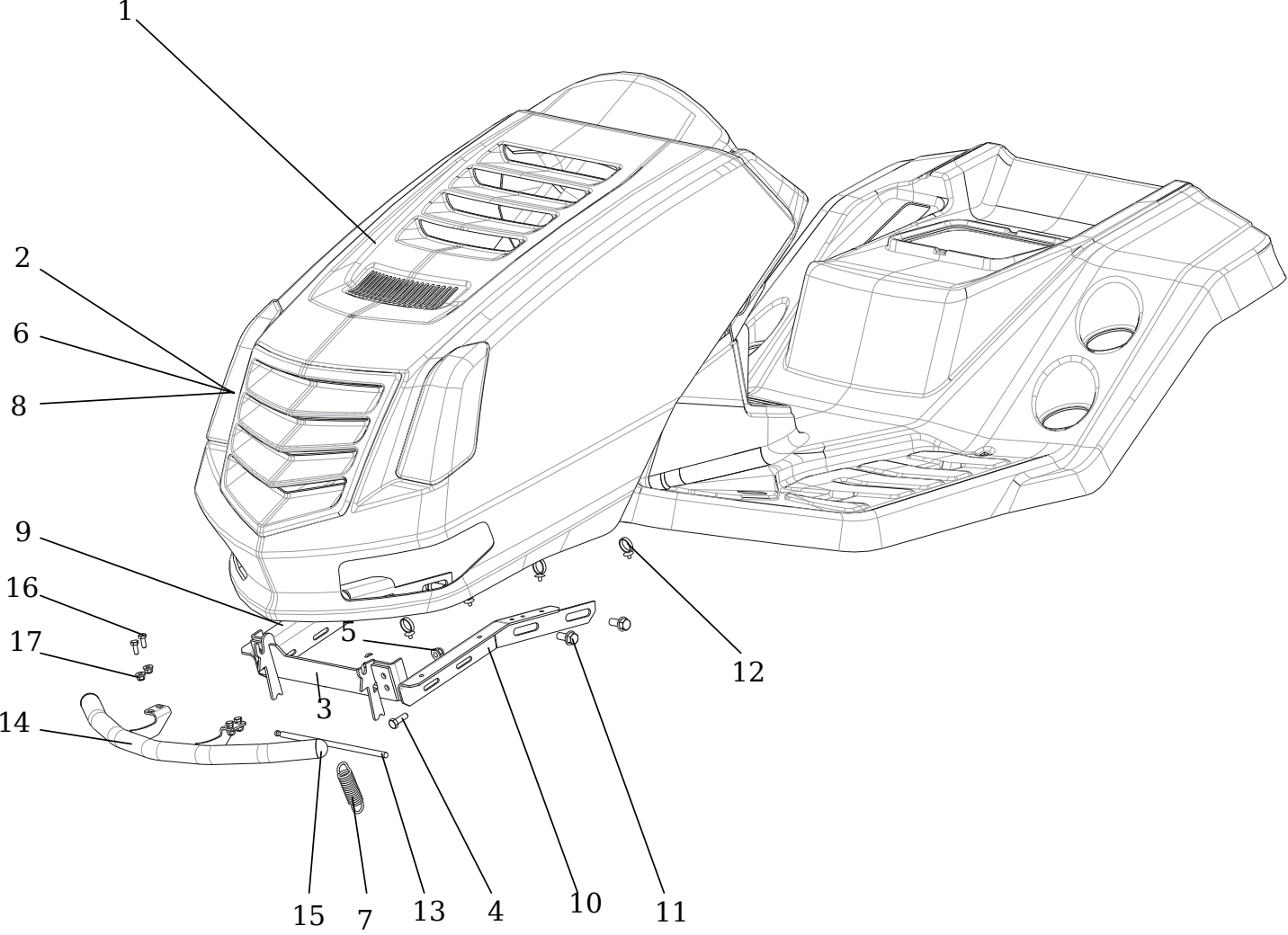


POS	QTY	PARTNUMBER	BESKRIVELSE	DESCRIPTION
1	1	423379	BØS	BUSHING 0-9462-202
2	1	423518	PLADE	LATCH
3	1	423519	KONTAKT HOLDER	SWITCH HOLDER
4	1	423520	KOBLING	DRIVE LEVER
5	1	423521	BØS	PEDAL SPACER
6	1	423522	BREMSESTANG	BRAKE CONTROL ROD 0-8041-327
7	1	423523	FJEDER	SPRING 0-9746-449
8	1	423524	ARM KOMPLET	ARM COMPLETE
9	1	423525	KOBLINGSARM	DRIVE ROD
10	1	423526	PEDAL BAK	REVERSE PEDAL
11	1	423527	DÆKSEL	PEDAL COVER 0-8832-234
12	1	423528	PEDALGUMMI	PEDAL COATING 65 137 FAVORIT
13	1	423529	GEARBOKS	GEARBOX HYDRO GEAR T2
14	1	423530	BESLAG VENSTRE	LEFT HOLDER
15	1	423531	BESLAG HØJRE	RIGHT HOLDER
16	1	423532	HOLDER	GEARBOX HOLDER
17	1	423533	STANG	BYPASS ROD
18	1	423307	MØTRIK M8	NUT M 8 DIN 6926 8 ZINC
19	1	423381	SPLIT 3.2X25	SPINDLE 3.2X25
20	1	423407	SPLIT 3.2X20	SPINDLE 3.2X20
21	1	423534	SKIVE	WASHER 0-9620-392 T5
22	1	423535	SPLIT 1.6X12	SPINDLE 1.6X12
23	1	423536	LÅSESKIVE	ROTARY BUTTON BLACK NYLON KTSR
24	1	423537	STANG	PARKING BRAKE CONTROL ROD 9-8042-
25	1	423538	BOLT M8X90	SCREW M 8X90
26	1	423416	SKIVE M8.4	WASHER 8.4
27	1	423405	SKIVE 10.5	WASHER 10.5
28	1	423418	SKIVE M8X25	WASHER 9 ZINC
29	1	423372	MØTRIK M8	NUT M 8
30	1	423539	SKIVE 5.3	WASHER 5.3
31	1	423436	KONTAKT BREMSE	SWITCH DELTA 6710-01B
32	1	423540	ARM KOBLING	FOOT COMPLETE
33	1	423541	BREMSEPEDAL	BRAKE PEDAL
34	1	423542	PIN 113	SPHERICAL PIN 13 DIN 71803 C ZINC
35	1	423374	MØTRIK DIN 6923 M8	NUT M8 DIN 6923 8 ZINC. TOOTHED
36	1	423543	SIKKERHEDS STROP 13 DIN	SAFETY U-STRAP 13 DIN 71805 S ZIN
37	1	423544	BØS	SPACER
38	1	423344	SKIVE	WASHER
39	1	423354	SKIVE	WASHER
40	1	423513	BOLT ST4,2X13	SCREW ST 4,2X13 DIN7504-K BN1880
41	1	423545	FJEDERSPLIT 5X22	SPRING PIN 5X22
42	1	423546	LÅSERING E-75-3/4	LOCK RING E-75 3/4
43	1	423338	HJULKAPSEL	COVER 0-8025-237
44	1	423547	FJEDER	SPRING

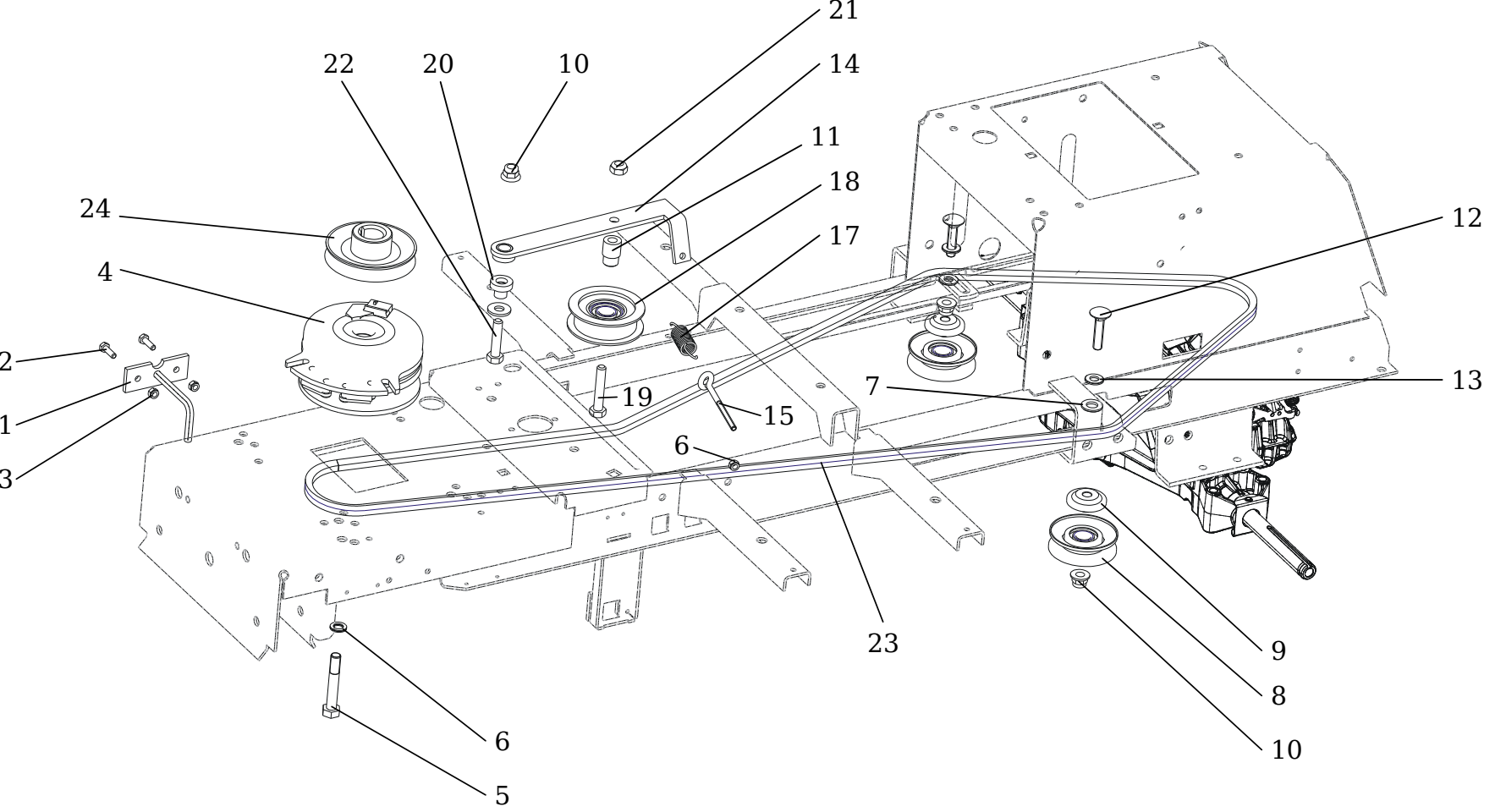
POS	QTY	PARTNUMBER	BESKRIVELSE	DESCRIPTION
45	1	423380	SKIVE M17	WASHER 17
46	1	423548	BOLT M5X35	SCREW M5X35
47	1	423404	SKRUE M8X25	SCREW M 8X25
48	1	423549	BESLAG	RATCHET HOLDER
49	1	423550	BESLAG GEAR HØJRE	RIGHT LIFT HOLDER
50	1	423551	BESLAG GEAR VENSTRE	LEFT LIFT HOLDER
51	1	423345	MØTRIK M6	NUT M 6
52	1	423321	SKRUE M6X16	SCREW M6X16
53	1	423420	BOLT M8X20	SCREW M8X20
54	1	423406	MØTRIK M8	NUT M 8
55	1	423552	KUGLELEJE 13	BALL BUSHING 13 DIN71805B ZINC
56	1	423553	BAGHJUL KPL. 18X8.60	KOLO ZA. 18X8.50-8 2PR TURF SAVER



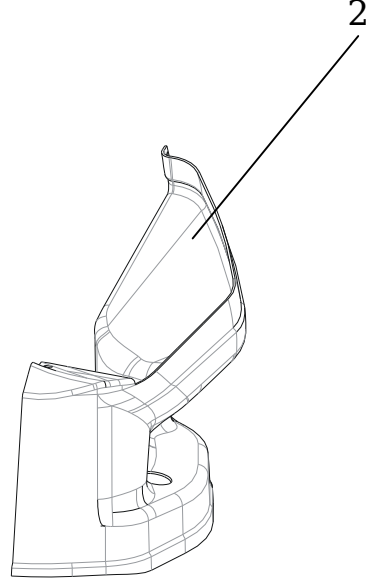
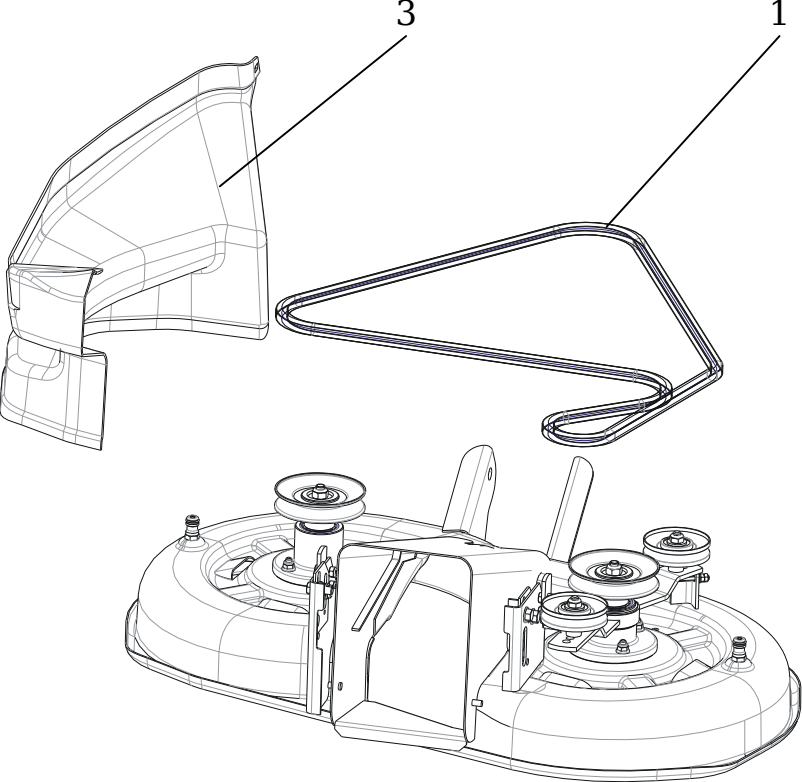
POS	QTY	PARTNUMBER	BESKRIVELSE	DESCRIPTION
1	1	423554	KLIPPESKJOLD	MOWING COVER 92/2011
2	1	423555	FLANGE	FLANGE
3	1	423556	LEJE 6205	BEARING 6205 2 RS C 661B
4	1	423557	AKSEL	SHAFT
5	1	423558	AKSEL	SHAFT
6	1	423559	STRAMMERULLE	PULLEY COMPL. 9-3325-293
7	1	423560	LEJEHOLDER	TENSIONER PULLEY HOLDER
8	1	423561	BØS	BOCCOLA
9	1	423562	BOLT M10X60	SCREW M 10X60
10	1	423563	SKIVE 11	WASHER 11 ZINC
11	1	423385	MØTRIK M10	NUT M 10
12	1	423564	STRAMMERULLE	PULLEY COMPENSA C-00237/2
13	1	423565	LÅSERING 60	SAFETY RING 60
14	1	423566	LÅSERING 25	LOCK RING 25
15	1	423567	FLANGE	FLANGE
16	1	423568	NITTE	BREAKING PIN
17	1	423569	SKIVE	WASHER
18	1	423570	MØTRIK	NUT M 12
19	1	423571	PLADE	FOOT
20	1	423572	BOLT M10X25	SCREW M10X25KL100 RIPP. V. DACROM
21	1	423573	MØTRIK M10	NUT M10 RIPP KL 10 BN 2798
22	1	423403	BOLT M8X35	SCREW M 8X35
23	1	423307	MØTRIK M8	NUT M 8 DIN 6926 8 ZINC
24	1	423574	SKIVE 40X16.3X2X3.1	WASHER BN 806-40X16.3X2X3.1
25	1	423575	SKIVE	WASHER
26	1	423576	BOLT VENSTRE	SCREW 0-9011-283 M10 LEFT
27	1	423577	BOLT M10	SCREW 0-9011-287 M10
28	1	423578	NOT 6E7X6X28	KEY 6E7X6X28
29	1	423579	KNIV HØJRE	BLADE RIGHT
30	1	423580	KNIV VENSTRE	BLADE LEFT
31	1	423581	FJEDER	SPRING 0-9746-490
32	1	423322	SKIVE M6,4	WASHER 6.4
33	1	423582	MØTRIK M6	NUT M6
34	1	423583	BOLT M6X80	SCREW M 6X80 WITH EYE BN1006 ZINC
35	1	423584	FLANGE	FLANGE
36	1	423585	BESLAG	FOOT
37	1	423404	SKRUE M8X25	SCREW M 8X25
38	1	423406	MØTRIK M8	NUT M 8
39	1	423586	MØTRIK M12	NUT M 12
40	1	423587	VANDSTUDS	QUICK FASTENER 0-9026-246
41	1	423588	O-RING 10.78X2.62	RING 10.78X2.62 NBR 70-SH



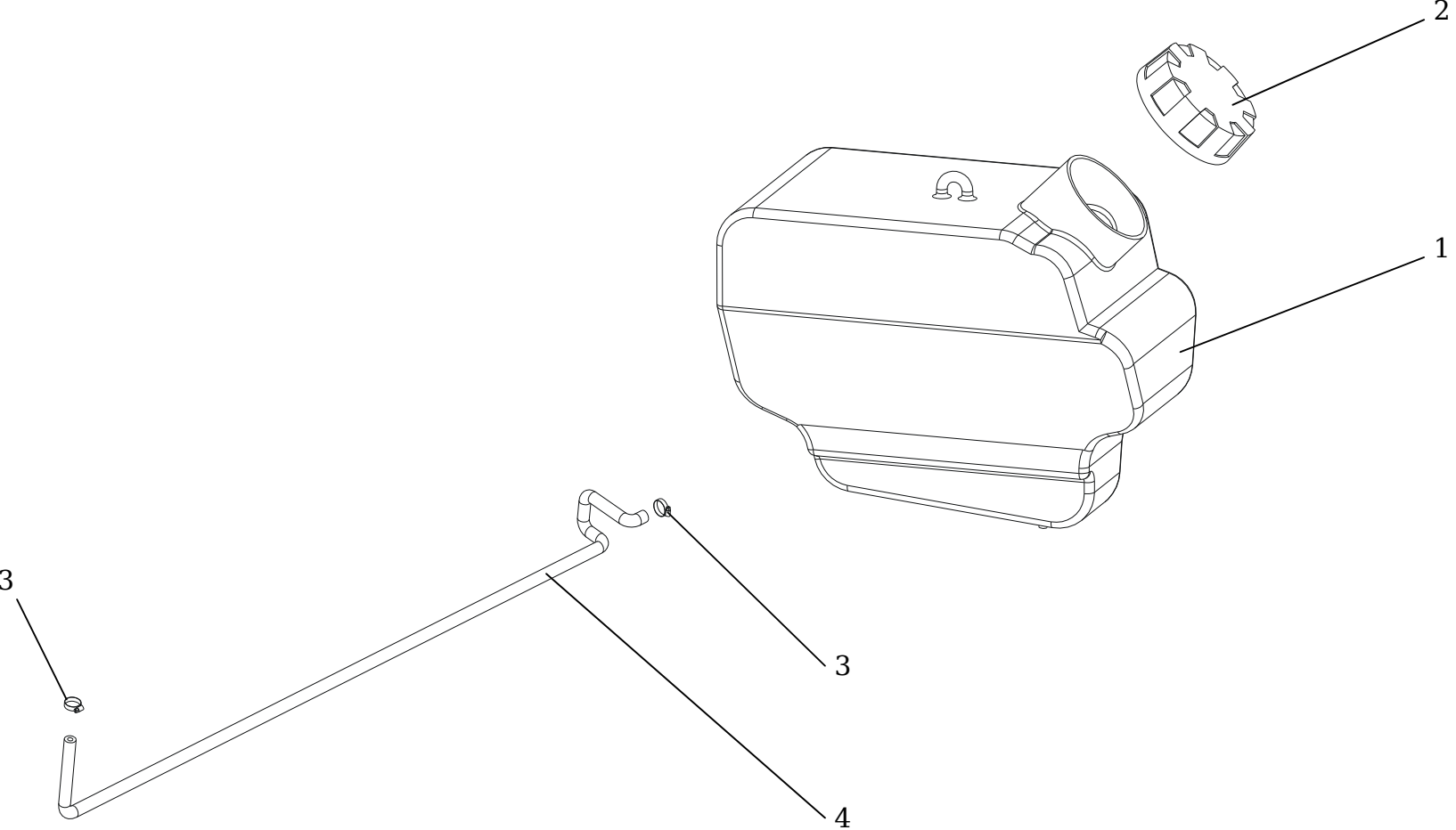
POS	QTY	PARTNUMBER	BESKRIVELSE	DESCRIPTION
1	1	423589	FRONTSKÆRM	HOOD 9-1849-387 CADILAC EFCO
2	1	423590	HALOGEN PÆRE MR 16PR.50MM1	HALOGEN LIGHTBULB MR 16 PR.50MM 1
3	1	423591	BESLAG	HOOD HOLDER
4	1	423404	SKRUE M8X25	SCREW M 8X25
5	1	423307	MØTRIK M8	NUT M 8 DIN 6926 8 ZINC
6	1	423592	FATNING 9-8316-623	LIGHT HARNESS 9-8316-623
7	1	423593	FJEDER 0-9746-472	SPRING 0-9746-472
8	1	423594	HEADER 9-8316-620	HEADER 9-8316-620
9	1	423595	BESLAG HØJRE	COMPETE RIGHT BRACKET
10	1	423596	BESLAG VENSTRE	COMPLETE LEFT BRACKET
11	1	423572	BOLT M10X25	SCREW M10X25KL100 RIPP. V. DACROM
12	1	423421	CLIPS	CLIP WSBH 1-0-1
13	1	423597	STANG	SAFETY BAR
14	1	423598	KOFANGER KOMPLET	BUMPER - COMPLETE
15	1	423599	PROP	CONVEX CAP 28X1,5-2
16	1	423321	SKRUE M6X16	SCREW M6X16
17	1	423370	MØTRIK M6 DIN 6926	NUT M 6 DIN 6926



POS	QTY	PARTNUMBER	BESKRIVELSE	DESCRIPTION
1	1	423600	BESLAG	BACKSTOP
2	1	423368	SKRUE M6X20	SCREW M 6X20
3	1	423370	MØTRIK M6 DIN 6926	NUT M 6 DIN 6926
4	1	423601	KOBLING I5217-38	ELMAG. CLUTCH I-5217-38
5	1	423602	BOLT "UNF 7/16""X3""10.9"	"SCREW UNF 7/16""X3"" 10.9 ZINK "
6	1	423603	SKIVE 11	WASHER NL 11 GLUED DACROMET
7	1	423563	SKIVE 11	WASHER 11 ZINC
8	1	423604	STRAMMERULLE	PULLEY COMPENSA C-00237/1
9	1	423605	DÆKSEL	COVER C-00693 COMPENSA
10	1	423343	MØTRIK M10 DIN 6926	NUT M 10 DIN 6926 ZINC
11	1	423606	BØS	CASE
12	1	423607	BOLT M10X45	SCREW M10X45 021319 ZINC
13	1	423608	SKIVE 13 13	WASHER 13
14	1	423609	BESLAG	TENSION TRAVEL HOLDER
15	1	423583	BOLT M6X80	SCREW M 6X80 WITH EYE BN1006 ZINC
16	1	423345	MØTRIK M6	NUT M 6
17	1	423610	FJEDER 2X14X62	SPRING TZ 2X14X62 ZINC
18	1	423611	STRAMMERULLE	PULLEY PLASTIC BBT B18 337
19	1	423612	BOLT M10X55	SCREW M 10X55
20	1	423613	KRAVEBØS	CASE
21	1	423385	MØTRIK M10	NUT M 10
22	1	423614	BOLT M10X45	SCREW M 10X45
23	1	423615	REM 13X2580	V BELT 13X2580 LI BBT
24	1	423328	STRAMMERULLE	ENGINE PULLEY 9-3325-289



POS	QTY	PARTNUMBER	BESKRIVELSE	DESCRIPTION
1	1	423616	REM 313	V-BELT AA 85 POWER TYP 313
2	1	423617	REMSKÆRM HØJRE	BELT COVER 0-8547-809 R
3	1	423618	REMSKÆRM VENSTRE	BELT COVER 0-8547-808 L



POS	QTY	PARTNUMBER	BESKRIVELSE	DESCRIPTION
1	1	423619	BRÆNDSTOFSTANK	FUEL TANK 0-2766-220 WHITE
2	1	423620	TANKDÆKSEL	CAP 9-2725-201
3	1	423621	CLIPS	CLIP UM 5008
4	1	423622	SLANGE	HOSE 5,5 PHD 21/386-90 11-94