

REPAIR PARTS MANUAL

Model 145-40H 14.5HP/40" Deck

HOW TO ORDER REPAIR PARTS

Only use a factory repair part. Repair parts, except for the engine or the transmission, are available from the store where the unit was purchased, a service shop recommended by the store, or an authorized service shop found in the yellow pages of the telephone directory.

If you cannot get a repair part or service as described above, call or write to the Central Parts Distributor shown on the back page of this manual or write: **Customer Service Department, Outdoor Power Equipment, PO Box 8000, Jackson, TN 38308, 1-800-247-7464**. Collect telephone calls will not be accepted. When you order, include the following information: 1- Complete Model Number (see nameplate), 2- Date of Manufacture, 3- Complete Part Number, 4- Description, and 5- Quantity.

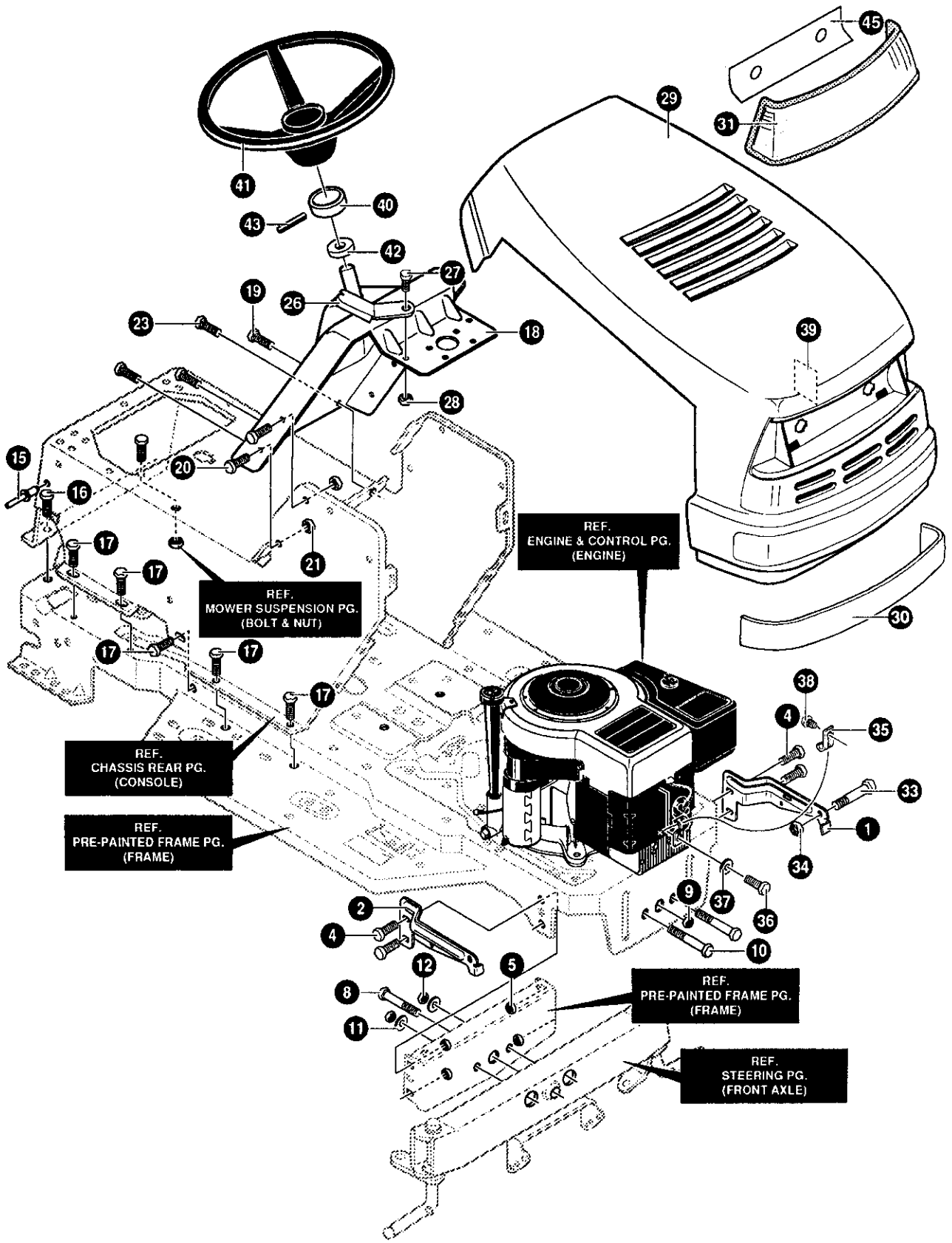
Repair parts for the engine or the transmission are available from the manufacturer's authorized service center found in the yellow pages of the telephone directory. See the individual engine or transmission warranties.

- Read and keep this parts list book for future reference.
- This parts list book contains drawings and part numbers necessary to obtain repair parts.
- Record the following information about your unit. This information is necessary when ordering parts or in case of loss or theft.

WHERE PURCHASED: _____

DATE PURCHASED: Month _____ Day _____ Year _____

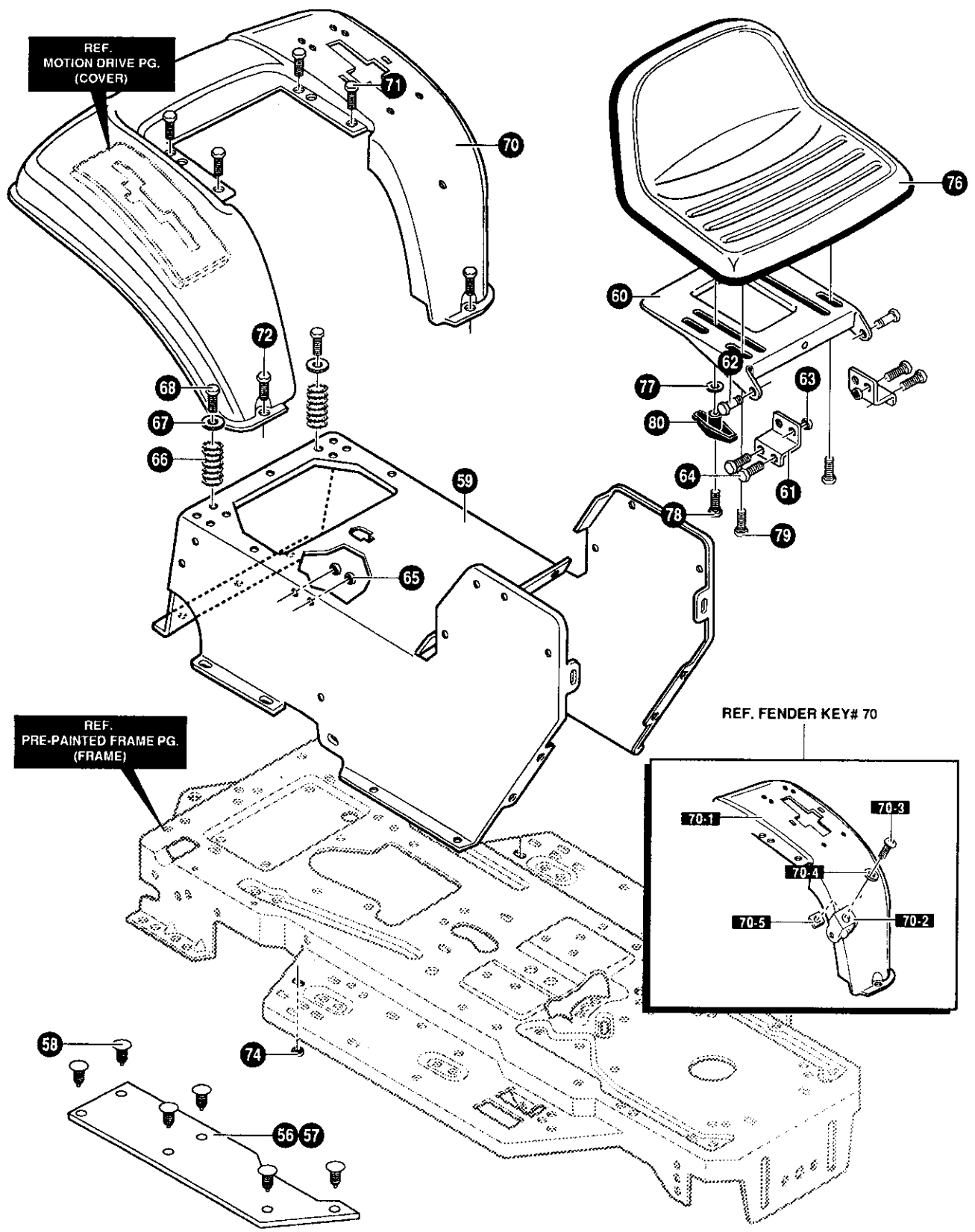
MODEL NO.: _____ **DATE OF MANUFACTURE:** _____



NOTE: ALWAYS USE ORIGINAL EQUIPMENT PARTS. Use of service/replacement parts other than original equipment parts may void your warranty.

ALL UNNUMBERED ITEMS ARE INTERCHANGEABLE WITH OPPOSITE SIDE

KEY#	PART#	DESCRIPTION	QTY
1	302857-853	BRACKET, GRILLE LH	1
2	302856-853	BRACKET, GRILL RH	1
4	56030	SCREW, 5/16-18 X .75	4
5	55273	NUT, 5/16-18	4
8	308207	BOLT, .625 X 2.18	1
9	309008	NUT, 1/2-13	1
10	180138	SCREW, 3/8-16 X 3.00	2
11	2483	WASHER, .39ID X 1.25D X .07	2
12	1499	NUT, 3/8-16	2
15	46763	RIVET, POP	3
16	35497	SCREW, 5/16-18 X .50	1
17	995346	SCREW, 1/4-20 X .50	10
18	309447-889	DASH	1
19	995346	SCREW, 1/4-20 X .50	2
20	44811	SCREW, 1/4-20 X .75	4
21	50352	NUT, 1/4-20	4
23	44811	SCREW, 1/4-20 X .75	2
26	313021-853	GUIDE, HOOD	2
27	180020	SCREW, 1/4-20 X .75	2
28	51335	NUT, 1/4-20	2
29	325698	HOOD, H-14	1
30	322700	DECAL, TAPE H14	1
31	302670	LENS, HEADLAMP HOODS	1
33	56676	BOLT, .375 X .580	2
34	1498	NUT, 5/16-18	2
35	310749	LANYARD, HOOD 9.16 LG	1
36	180020	SCREW, 1/4-20 X .75	1
37	120380	WASHER, .263 X .49 X .07	1
38	49050	SCREW, 1/4-10 X .75	1
39	301452	FOIL, HEAT REFLECTOR	1
40	331322	COVER, STEERING SHAFT	1
41	330848	STEERING WHEEL	1
42	301413	SPACER, STEERING SHAFT	1
43	456378	PIN, SPRING	1
45	308492	FOIL, LENS HOOD REFLECTOR	1
	339216	OPERATOR'S MANUAL	1




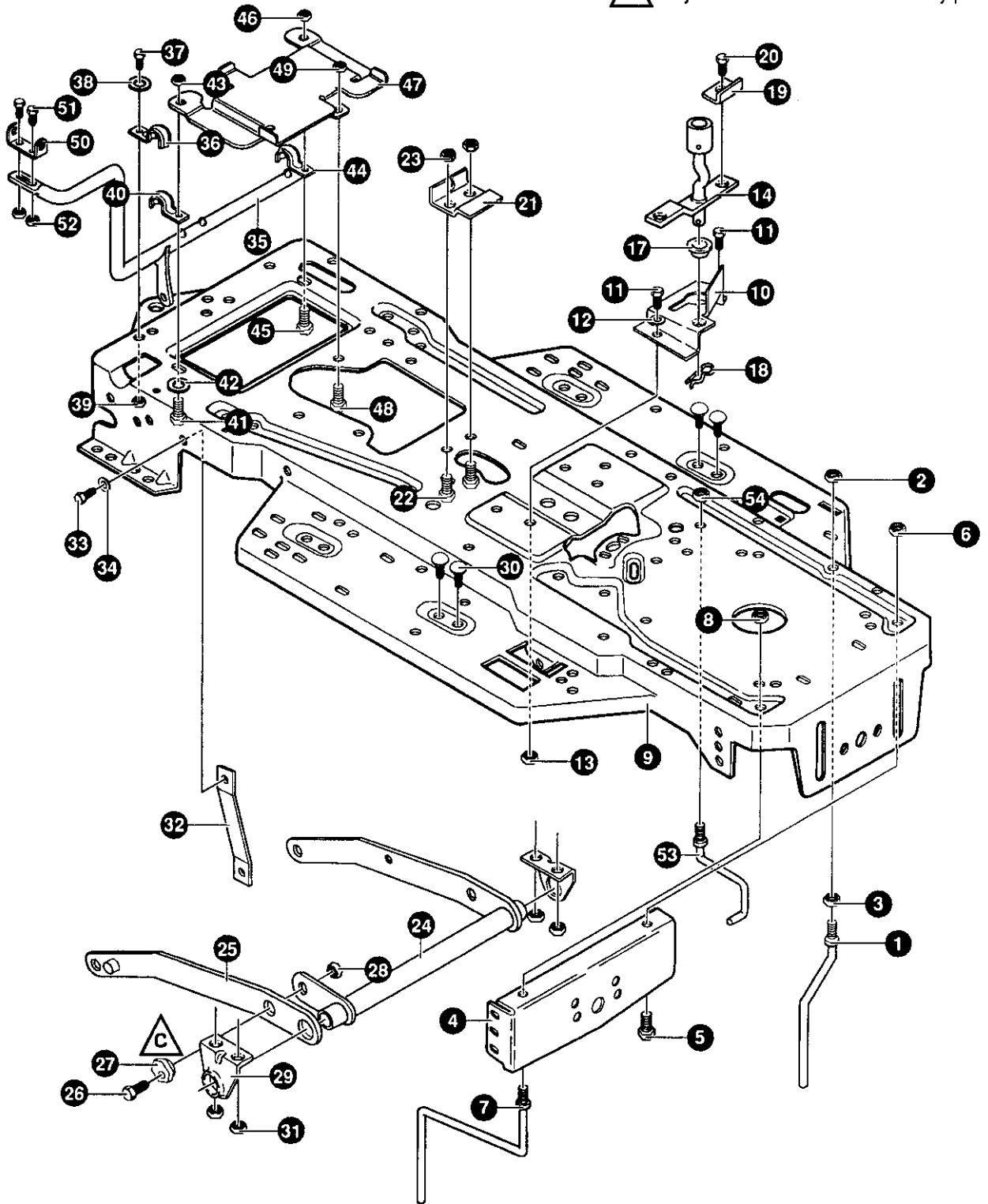
NOTE: ALWAYS USE ORIGINAL EQUIPMENT PARTS. Use of service/replacement parts other than original equipment parts may void your warranty.

ALL UNNUMBERED ITEMS ARE INTERCHANGEABLE WITH OPPOSITE SIDE

KEY#	PART#	DESCRIPTION	QTY
56	310005	FOOT PAD, LH	1
57	310006	FOOT PAD, RH	1
58	309235	FASTENER, RATCHET	6
58	309235	FASTENER, RATCHET	6
59	308665-889	CONSOLE	1
60	331535-889	PLATE, SEAT	1
61	310660-889	BRACKET, SEAT SUPPORT	2
62	20507	BOLT, .437 X .156	2
63	1498	NUT, 5/16-18	2
64	48901	SCREW, 5/16-18 X .63	4
65	1498	NUT, 5/16-18	4
66	337427	SPRING, SEAT	2
67	120392	WASHER, FLAT .281 X .63 X .065	2
68	995346	SCREW, 1/4-20 X .50	2
70	*	ASSEMBLY, FENDER	1
70-1	308653-889	FENDER	1
70-2	9239	CLEVIS	1
70-3	439455	SCREW, 5/16-18 X .56	1
70-4	301551	WASHER, .344ID X 1.50D X .09	1
70-5	120373	NUT, 5/16-18	1
71	995346	SCREW, 1/4-20 X .50	4
72	126358	BOLT, 5/16-18 X 1.00	2
74	1498	NUT, 5/16-18	2
76	331527	SEAT	1
77	120393	WASHER, FLAT .344 X .69 X .065	1
78	180079	SCREW, 5/16-18 X 1.00	1
79	331637	BOLT, .500 X .10	2
80	643958	HANDLE, WING NUT	1

* ORDER INDIVIDUAL PARTS - ASSEMBLY NOT AVAILABLE

 Symbol denotes critical assembly points.



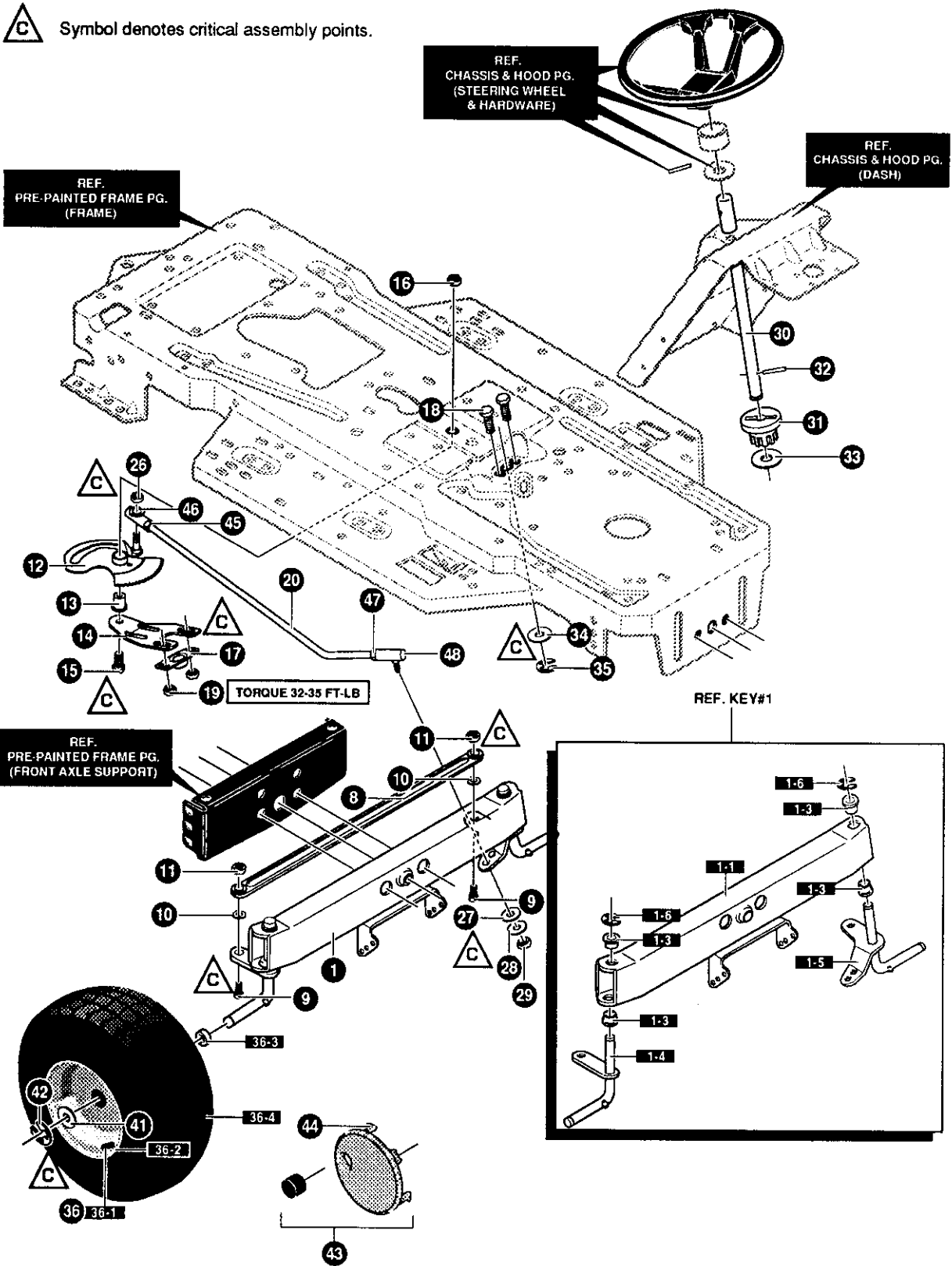
NOTE: ALWAYS USE ORIGINAL EQUIPMENT PARTS. Use of service/replacement parts other than original equipment parts may void your warranty.

ALL UNNUMBERED ITEMS ARE INTERCHANGEABLE WITH OPPOSITE SIDE

338035 A

KEY#	PART#	DESCRIPTION	QTY
1	327376	GUIDE, BELT	1
2	124824	NUT, 5/16-18	1
3	271190	NUT, 3/8-16	1
4	313541	BRACKET, FRONT AXLE	1
5	56030	SCREW, 5/16-18 X .75	1
6	55273	NUT, 5/16-18	1
7	300440	GUIDE, BELT	1
8	1498	NUT, 5/16-18	1
9	335697-889	FRAME	1
10	320075	BRACKET, CLUTCH ENGAGE LEVER	1
11	180079	SCREW, 5/16-18 X 1.00	2
12	120393	WASHER, FLAT .344 X .69 X .065	2
13	1498	NUT, 5/16-18	2
14	338048	ASSEMBLY, CLUTCH LEVER LOWER	1
17	50148	BEARING, FLANGE	1
18	8260	PIN, HAIR	1
19	9400	BRACKET, SWITCH ENGAGE	1
20	35498	SCREW, 5/16-18 X .75	1
21	300698	BRACKET, FRAME CABLE	1
22	180020	SCREW, 1/4-20 X .75	2
23	1502	NUT, 1/4-20	2
24	300158	LIFT ASSEMBLY, LH	1
25	300169	LIFT ASSEMBLY, RH	1
26	180079	SCREW, 5/16-18 X 1.00	1
27	58247	NUT, ADJUST	1
28	1498	NUT, 5/16-18	1
29	58248	BRACKET, REAR HANG	2
30	57072	BOLT, 5/16-18 X .63	4
31	1498	NUT, 5/16-18	4
32	333959	BRACKET, STABILIZER	1
33	35498	SCREW, 5/16-18 X .75	1
34	120638	WASHER, .328 X .60 X .09	1
35	336646	LEVER, SHIFT-LOWER ASSEMBLY	1
36	310347	CLIP- SHIFT LEVER	1
37	180077	SCREW, 5/16-18 X .75	1
38	996416	WASHER, FLAT .391 X 1.00 X .125	1
39	1498	NUT, 5/16-18	1
40	310347	CLIP- SHIFT LEVER	1
41	180077	SCREW, 5/16-18 X .75	1
42	120393	WASHER, FLAT .344 X .69 X .065	1
43	1498	NUT, 5/16-18	1
44	310347	CLIP- SHIFT LEVER	1
45	180077	SCREW, 5/16-18 X .75	1
46	1498	NUT, 5/16-18	1
47	335242	SHELF - BATTERY	1
48	180020	SCREW, 1/4-20 X .75	1
49	1502	NUT, 1/4-20	1
50	310356	BRACKET, PIVOT SHIFT LEVER	1
51	180020	SCREW, 1/4-20 X .75	2
52	1502	NUT, 1/4-20	2
53	304016	GUIDE, BELT RH	1
54	1498	NUT, 5/16-18	1

C Symbol denotes critical assembly points.

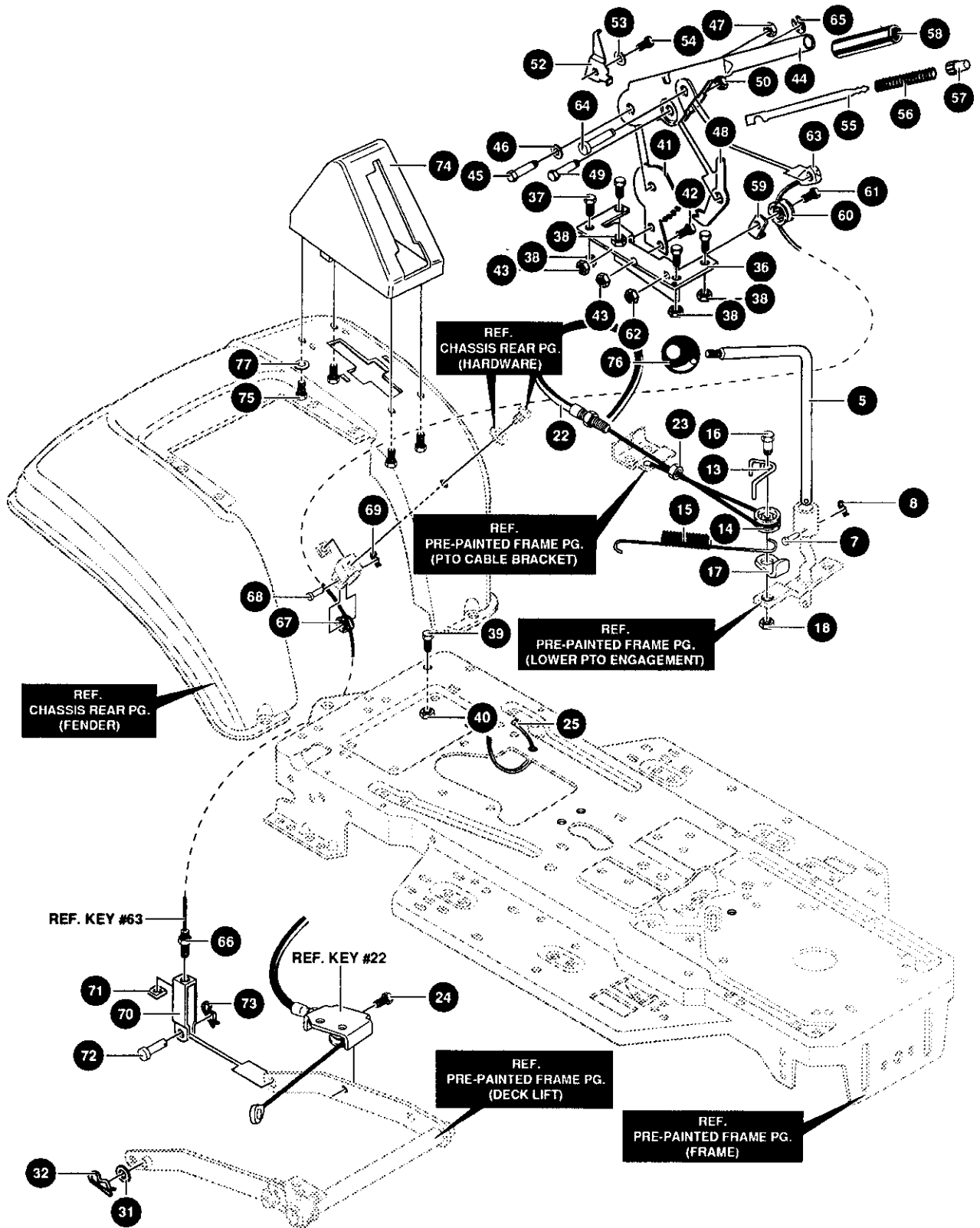


NOTE: ALWAYS USE ORIGINAL EQUIPMENT PARTS. Use of service/replacement parts other than original equipment parts may void your warranty.

ALL UNNUMBERED ITEMS ARE INTERCHANGEABLE WITH OPPOSITE SIDE

KEY#	PART#	DESCRIPTION	QTY
1	*	AXLE, FRONT ASSEMBLY	1
1-1	300272	ASSEMBLY FRONT AXLE SUSPENDED	1
1-3	52407	SPINDLE BEARING	4
1-4	338472	ASSEMBLY, SPINDLE RH	1
1-5	338470	ASSEMBLY, SPINDLE LH	1
1-6	36625	RING, RETEX	2
8	304590	TIE ROD ASSEMBLY	1
9	180128	SCREW, 3/8-16 X 1.75	2
10	120382	WASHER, .393 X .68 X .10	2
11	1499	NUT, 3/8-16	2
12	326889	ASSEMBLY, SECTOR GEAR	1
13	313629	BEARING, SLEEVE	1
14	313671-853	SUPPORT, SECTOR GEAR	1
15	315196	SCREW, 1/2-20 X 3.00	1
16	274654	NUT, 1/2-20	1
17	302498	BEARING	1
18	323731	SCREW, 5/16-24 X .75	2
19	71100	NUT, 5/16-24	2
20	321449	DRAG LINK	1
26	1499	NUT, 3/8-16	1
27	120396	WASHER, FLAT .531 X 1.06 X .095	2
28	120383	WASHER, .459 X .78 X .12	1
29	271506	NUT, 7/16-20	1
30	332530	SHAFT, STEERING	1
31	302314	PINION, STEERING	1
32	302524	PIN DOWEL STEER	1
33	315194	WASHER, FLAT .51 X 1.38 X .043	1
34	996418	WASHER, FLAT .506 X .75 X .024	1
35	20864	RING, RET E	1
36	338127	TIRE & RIM ASSEMBLY, PU 15 X 6.0 X 6	2
36-1	338512	VALVE STEM	
36-2	338517	RIM, WHEEL	
36-3	338513	BEARING	
36-4	338514	TIRE 15 X 6-6	
41	642	WASHER, FLAT .755 X 1.31 X .075	4
42	36625	RING, RETEX	2
43	40394	HUB CAP	2
44		NOT REQUIRED ON THIS UNIT	
45	124925	NUT, 3/8-24	1
46	304260	BALL JOINT, RH 3/8-24	1
47	272123	NUT, 7/16-20	1
48	302865	BALL JOINT, 7/16-20	1

* ORDER INDIVIDUAL PARTS - ASSEMBLY NOT AVAILABLE

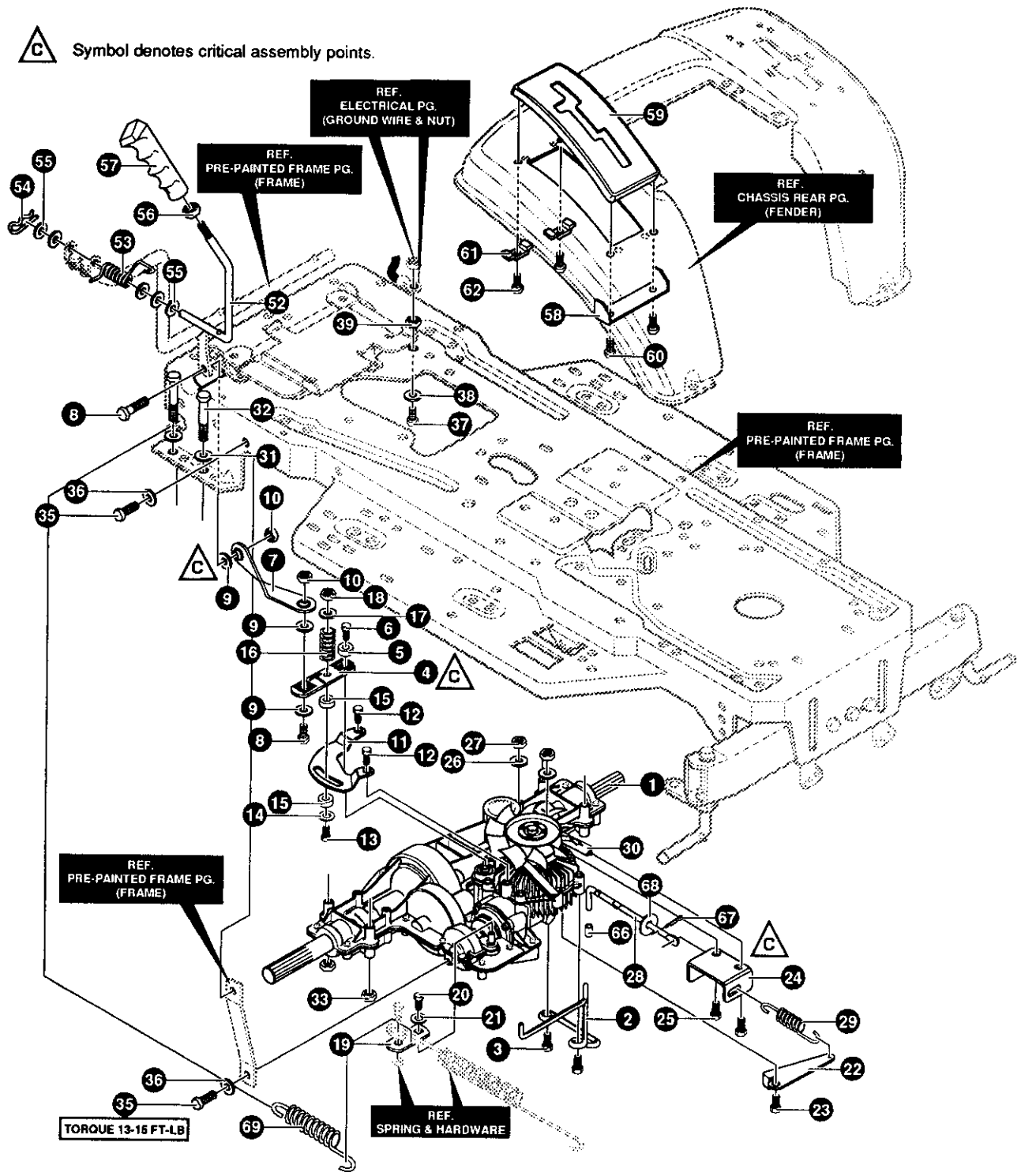


NOTE: ALWAYS USE ORIGINAL EQUIPMENT PARTS. Use of service/replacement parts other than original equipment parts may void your warranty.

ALL UNNUMBERED ITEMS ARE INTERCHANGEABLE WITH OPPOSITE SIDE

KEY#	PART#	DESCRIPTION	QTY
5	338049	LEVER, PTO UPPER	1
7	578309	PIN, CLEVIS	1
8	36368	PIN, HAIR	1
13	324032	SPRING, CABLE KEEPER	1
14	48306	PULLEY, METAL	1
15	316648	SPRING	1
16	324045	BOLT, .375 X .565	1
17	1288	BRACKET, CABLE RETAINER	1
18	1502	NUT, 1/4-20	1
22	324055	ASSEMBLY, CABLE PTO ENGAGE	1
23	120613	NUT, 1/4-28	1
24	335639	SCREW, 5/16-18 X .62	1
25	57444	TIE, CABLE	1
31	417098	WASHER, FLAT .531 X 1.06 X .063	2
32	8260	PIN, HAIR	2
36	313926	BRACKET, HEIGHT ADJUST	1
37	180077	SCREW, 5/16-18 X .75	4
38	1498	NUT, 5/16-18	4
39	180077	SCREW, 5/16-18 X .75	1
40	1498	NUT, 5/16-18	1
41	301238	QUADRANT, HEIGHT ADJUST	1
42	180077	SCREW, 5/16-18 X .75	2
43	1498	NUT, 5/16-18	2
44	322292-853	HANDLE, LIFT SHORT	1
45	300171	BOLT, .500 X .270	1
46	996418	WASHER, FLAT .506 X .75 X .024	1
47	44108	NUT, 5/16-18	1
48	301239	PAWL, SQUARE	1
49	300171	BOLT, .500 X .270	1
50	44108	NUT, 5/16-18	1
52	9435	POINTER, HEIGHT ADJUST	1
53	138479	WASHER, .195 X .41 X .03	1
54	35287	SCREW, #8-32 X .38	1
55	303027	ROD, ACTUATOR-SHORT	1
56	58326	SPRING, HEIGHT ADJUST	1
57	58325	KNOB, HEIGHT ADJUST	1
58	58329	GRIP, W/ HOLE BLACK	1
59	9149	BRACKET, CABLE RETAINER	1
60	48306	PULLEY, METAL	1
61	58336	BOLT, .375 X .375	1
62	1502	NUT, 1/4-20	1
63	314177	ASSEMBLY, CABLE LIFT	1
64	300310	PIN, CLEVIS	1
65	300311	RING, RET E	1
66	120375	NUT, 1/4-20	1
67	48306	PULLEY, METAL	1
68	300317	PIN, CLEVIS	1
69	8260	PIN, HAIR	1
70	9405	CLEVIS, LIFT CABLE	1
71	120372	NUT, 1/4-20	1
72	39522	PIN, CLEVIS	1
73	121222	PIN, COTTER	1
74	333903	LIFT COVER	1
75	300340	SCREW, #10 X .75	3
76	321837	KNOB, ROUND	1
77	120392	WASHER, FLAT .281 X .63 X .065	1

C Symbol denotes critical assembly points.

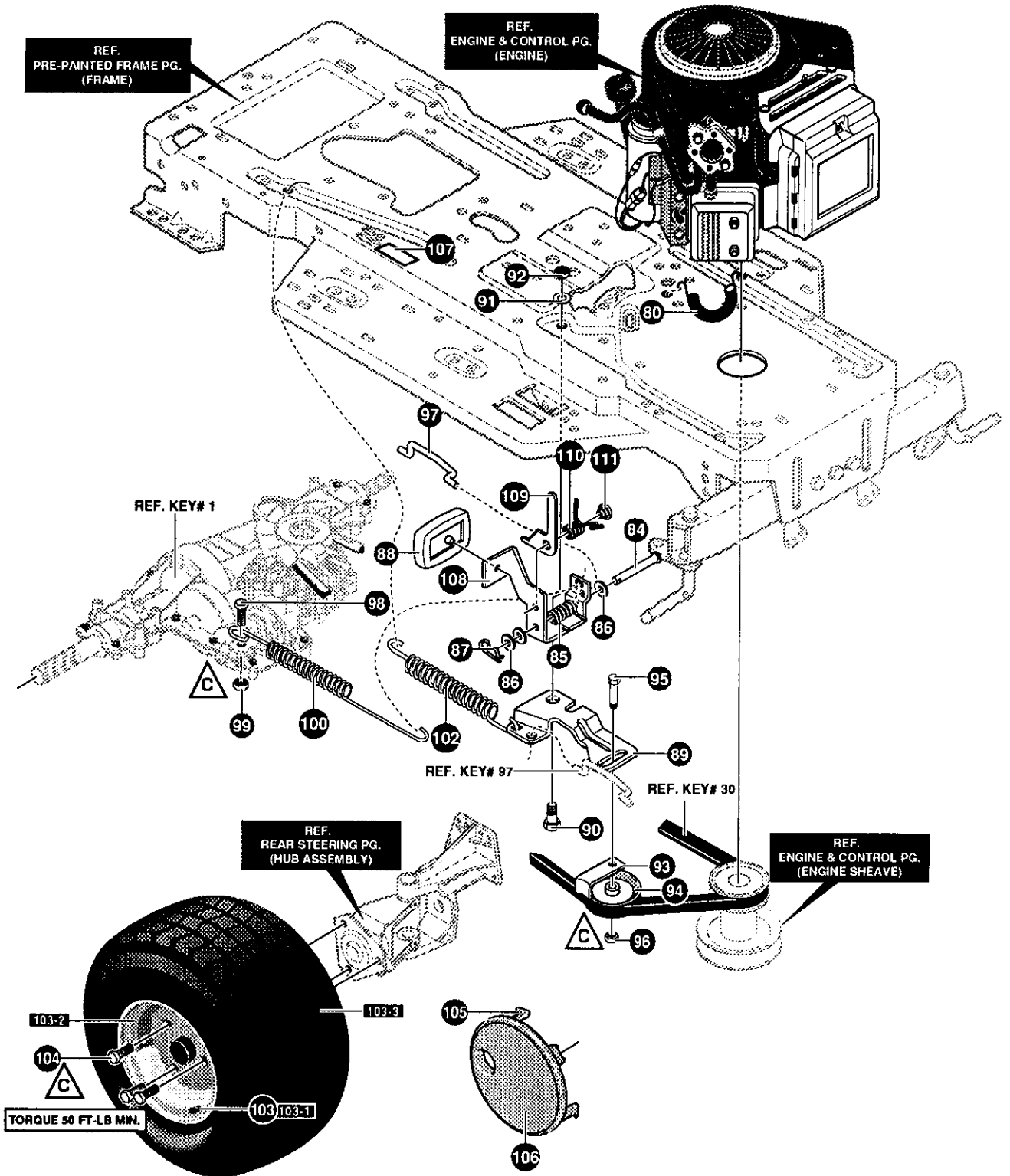


NOTE: ALWAYS USE ORIGINAL EQUIPMENT PARTS. Use of service/replacement parts other than original equipment parts may void your warranty.

ALL UNNUMBERED ITEMS ARE INTERCHANGEABLE WITH OPPOSITE SIDE

KEY#	PART#	DESCRIPTION	QTY
1	*	TRANSAXLE	1
2	334330	BELT GUIDE	1
3	35498	SCREW, 5/16-18 X .75	1
4	334051	LEVER, TRAN SHIFT	1
5	57157	WASHER, .750 X .250	1
6	56255	SCREW, 1/4-28 X .75	1
7	333926	LINK, SHIFT	1
8	180124	SCREW, 3/8-16 X 1.25	2
9	120394	WASHER, FLAT .406 X .81 X .065	3
10	1499	NUT, 3/8-16	2
11	334016-853	QUADRANT, SPEED CONTROL	1
12	44811	SCREW, 1/4-20 X .75	2
13	180130	SCREW, 3/8-16 X 2.00	1
14	845	WASHER, FLAT .390 X 1.25 X .119	1
15	314944	WASHER, FRICTION	2
16	335689	SPRING-COMP	1
17	120394	WASHER, FLAT .406 X .81 X .065	1
18	1499	NUT, 3/8-16	1
19	321845	BRACKET, LEVER	1
20	56255	SCREW, 1/4-28 X .75	1
21	57157	WASHER, .750 X .250	1
22	334122-853	LEVER, DUMP VALVE	1
23	334126	BOLT, 437 X .136	1
24	334123-853	BRACKET, DUMP VALVE	1
25	180134	SCREW, 3/8-16 X 2.50	2
26	120394	WASHER, FLAT .406 X .81 X .065	2
27	1499	NUT, 3/8-16	2
28	334124	ROD, DUMP VALVE	1
29	326780	SPRING, TENSION	1
30	335708	BELT, V 4L 80.50	1
31	120393	WASHER, FLAT .344 X .69 X .065	8
32	180113	SCREW, 5/16-18 X 3.00	4
33	1498	NUT, 5/16-18	4
35	35498	SCREW, 5/16-18 X .75	2
36	120638	WASHER, .328 X .60 X .09	2
37	180077	SCREW, 5/16-18 X .75	1
38	138538	WASHER, .320 X .61 X .03	1
39	1498	NUT, 5/16-18	1
52	318452	LEVER, SHIFT UPPER	1
53	318451	SPRING, TORSION	1
54	8260	PIN, HAIR	1
55	2968	WASHER, FLAT .504 X .75 X .059	5
56	120238	NUT, 1/2-13	1
57	306690	HANDLE 1/2-13	1
58	311257-853	BRACKET COVER	1
59	314244	COVER	1
60	311331	SCREW, 1/4-15 X .44/.53	2
62	311331	SCREW, 1/4-15 X .44/.53	2
66	335980	CAP, DUMP VALVE ROD	1
67	121222	PIN, COTTER	1
68	120393	WASHER, FLAT .344 X .69 X .065	1
69	334382	SPRING	1
80	321514	SPRING, DRAG LINK	1
84	319675	PIN, CLEVIS	1

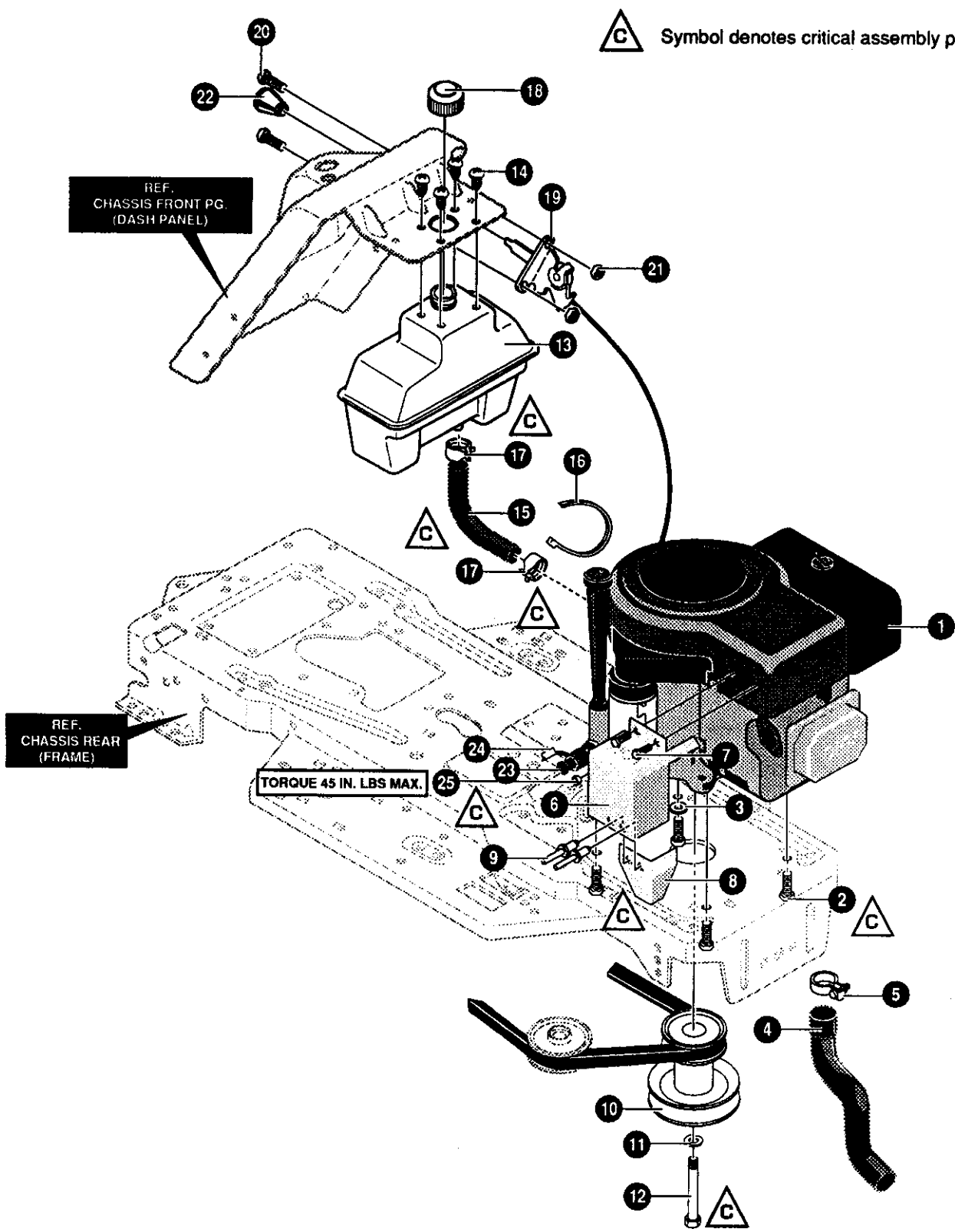
* CONTACT YOUR NEAREST TRANSAXLE DEALER FOR PARTS & SERVICE



NOTE: ALWAYS USE ORIGINAL EQUIPMENT PARTS. Use of service/replacement parts other than original equipment parts may void your warranty.

ALL UNNUMBERED ITEMS ARE INTERCHANGEABLE WITH OPPOSITE SIDE

KEY#	PART#	DESCRIPTION	QTY
85	57847	SPRING, BRAKE PEDAL	1
86	2968	WASHER, FLAT .504 X .75 X .059	3
87	56180	PIN, HAIR	1
88	48160	PAD, CLUTCH BRAKE W/PRINTING	1
89	335656	ARM, IDLER TRACTION	1
90	329989	BOLT, .625 X .135	1
91	45602	WASHER, FLAT .333 X .87 X .119	1
92	1498	NUT, 5/16-18	1
93	39659	RETAINER, BELT	1
94	35374	PULLEY, IDLER V4L	1
95	45892	BOLT, 3/8-16 X 1.50	1
96	1499	NUT, 3/8-16	1
97	57204	ROD, CLUTCH	1
98	326131	BOLT, .495 X .31	1
99	1498	NUT, 5/16-18	1
100	334175	SPRING, BRAKE 25.88	1
102	325123	SPRING, CLUTCH	1
103	338126	TIRE & RIM, 20"	2
103-1	338512	VALVE STEM	
103-2	338530	RIM, WHEEL	
103-3	338527	TIRE, 20"	
104	181683	SCREW, 1/2-20 X .50	6
105		NOT REQUIRED ON THIS UNIT	
106		NOT REQUIRED ON THIS UNIT	
107	313039	DECAL, 4WS PATENT	1
108	325941-853	PEDAL CL/BRAKE	1
109	9016	LEVER, PARK BRAKE	1
110	57828	SPRING, PARKING BRAKE	1
111	57829	RIVET	1



C Symbol denotes critical assembly points.

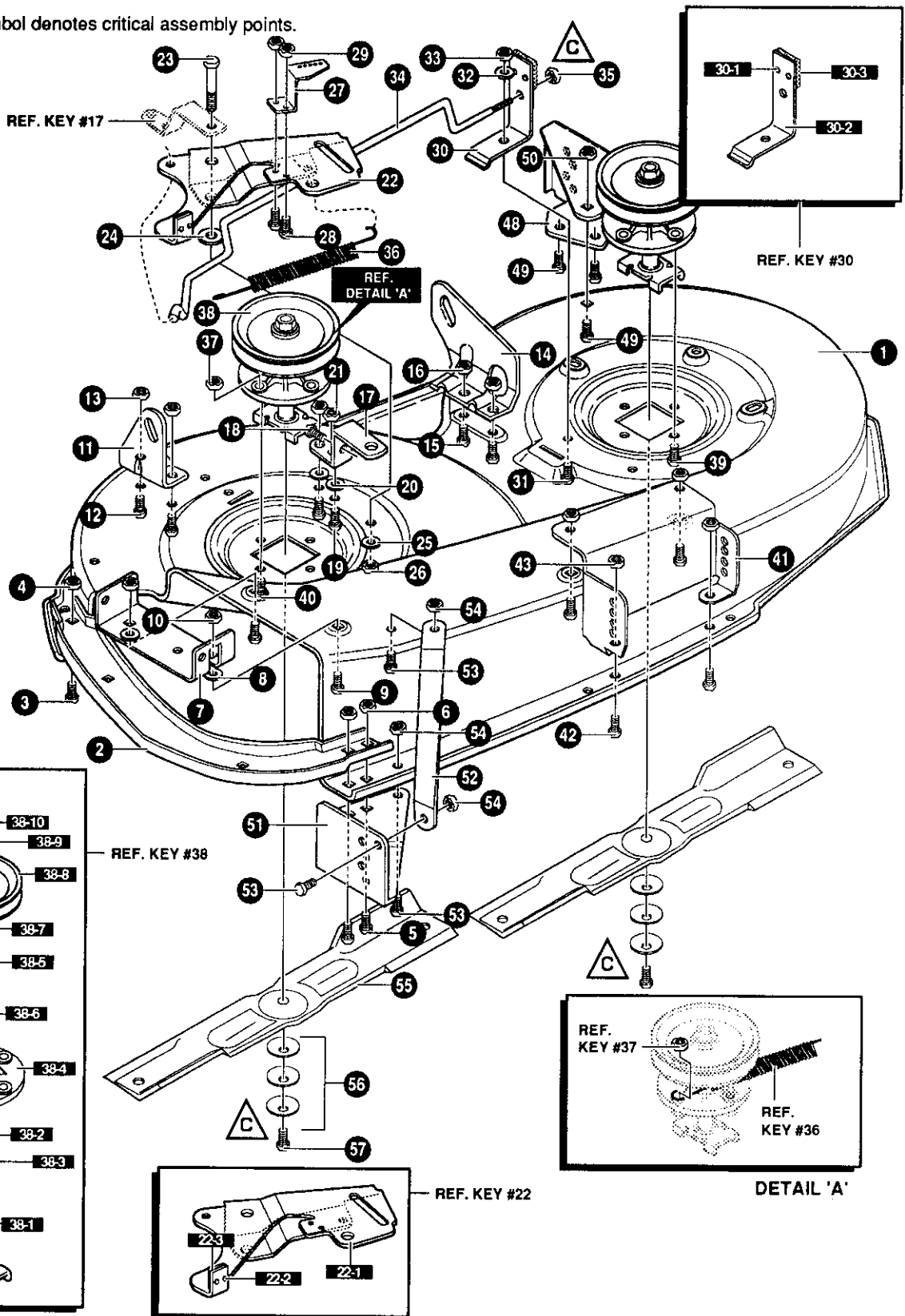
NOTE: ALWAYS USE ORIGINAL EQUIPMENT PARTS. Use of service/replacement parts other than original equipment parts may void your warranty.

ALL UNNUMBERED ITEMS ARE INTERCHANGEABLE WITH OPPOSITE SIDE

338921 A

KEY#	PART#	DESCRIPTION	QTY
1	*	ENGINE, 14.5	1
2	50947	SCREW, 3/8-16 X 1.25	4
3	138489	WASHER, .384 X .69 X .04	1
4	331327	EXHAUST TUBE	1
5	328024	CLAMP EXHAUST	1
6	331750-853	ASSEMBLY, HEAT SHIELD	1
7	995346	SCREW, 1/4-20 X .50	3
8	331973-853	HEAT DEFLECTOR	1
9	328683	RIVET, POP	2
10	335093	PULLEY, ENGINE	1
11	120383	WASHER, .459 X .78 X .12	1
12	433146	SCREW, 7/16-20 X 4.25	1
13	314989	TANK, FUEL 1 GALLON	1
14	49050	SCREW, 1/4-10 X .75	4
15	50118	TUBING, .25 X .50 X BULK GAS LINE	13.5
16	57444	TIE, CABLE	1
17	47345	CLAMP, FUEL LINE	2
18	46704	CAP, GAS	1
19	321273	CONTROL, THROTTLE	1
20	320553	SCREW, 10-24 X .63	2
21	308459	NUT, #10-24	2
22	50607	KNOB, ROUND THROTTLE	1
23	325547	OIL DRAIN VALVE ASSEMBLY	1
24	327422	CAP, OIL DRAIN VALVE	1
25	124818	NUT, 1/4-20	1

C Symbol denotes critical assembly points.



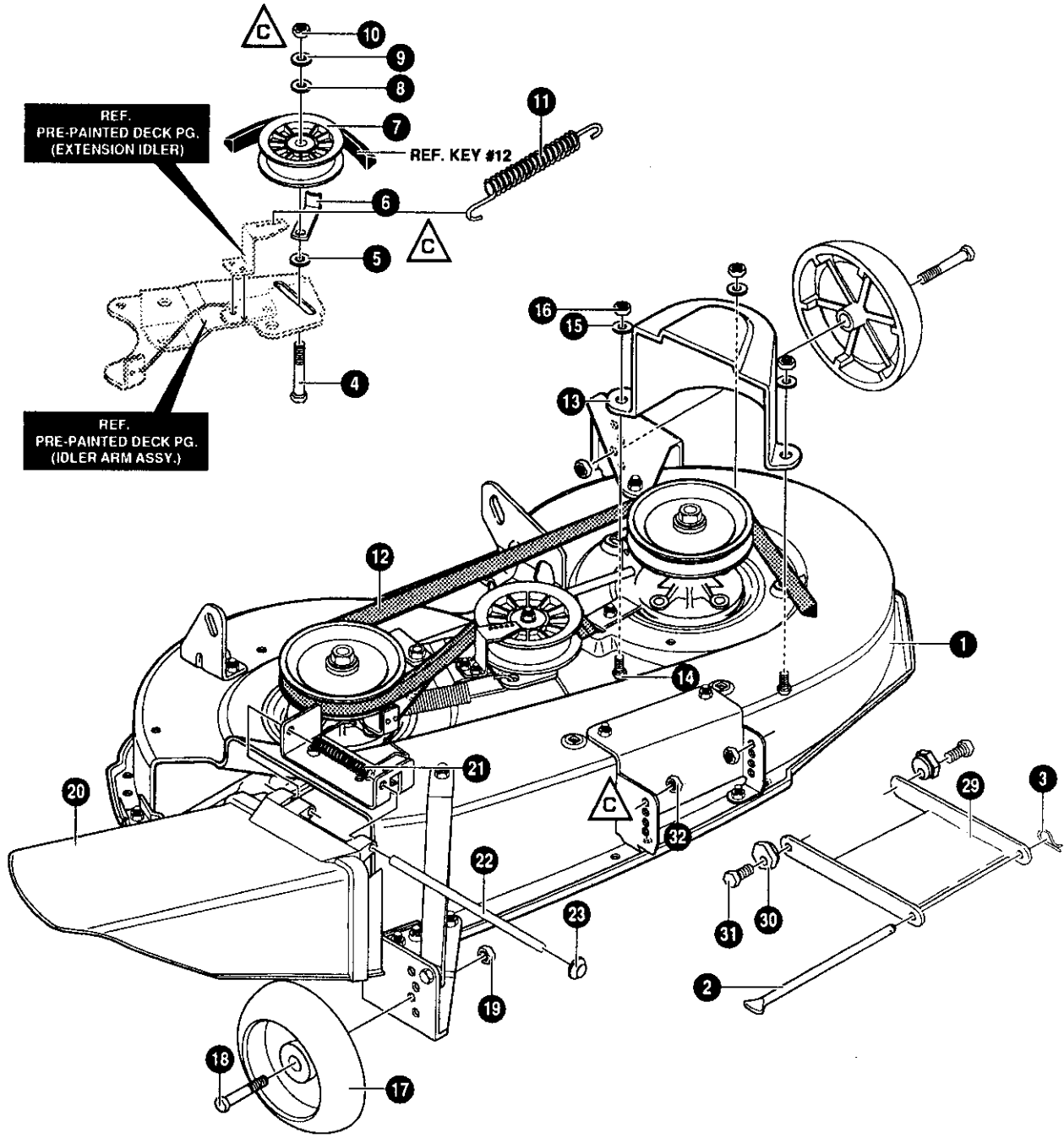
NOTE: ALWAYS USE ORIGINAL EQUIPMENT PARTS. Use of service/replacement parts other than original equipment parts may void your warranty.

ALL UNNUMBERED ITEMS ARE INTERCHANGEABLE WITH OPPOSITE SIDE

318345 J

KEY#	PART#	DESCRIPTION	QTY
1	325103	40" DECK KIT	1
2	326480	TOE GUARD - MULCHER	1
3	180077	SCREW, 5/16-18 X .75	1
4	1498	NUT, 5/16-18	1
5	180077	SCREW, 5/16-18 X .75	2
6	1498	NUT, 5/16-18	2
7	317017	BRACKET, CHUTE MOUNT	1
8	120393	WASHER, FLAT .344 X .69 X .065	2
9	180077	SCREW, 5/16-18 X .75	2
10	1498	NUT, 5/16-18	2
11	313929	BRACKET, RH LIFT REAR	1
12	180077	SCREW, 5/16-18 X .75	2
13	1498	NUT, 5/16-18	2
14	310667	BRACKET, LH LIFT REAR	1
15	180077	SCREW, 5/16-18 X .75	2
16	1498	NUT, 5/16-18	2
17	326893	BRACE, IDLER SUPPORT	1
18	308231	SCREW, 1/4-20 X 1.25	1
19	180077	SCREW, 5/16-18 X .75	2
20	120393	WASHER, FLAT .344 X .69 X .065	2
21	44108	NUT, 5/16-18	2
22	322120	IDLER ARM ASSEMBLY	1
22-1	322116	ARM IDLER	1
22-2	41601	RIVET	2
22-3	306973	BRAKE PAD	1
23	304420	BOLT, .500 X 2.15	1
24	996307	WASHER, FLAT .391 X 1.00 X .209	1
25	996416	WASHER, FLAT .391 X 1.00 X .125	2
26	45171	NUT, 3/8-16	1
27	326249	BRACKET, EXTENSION IDLER	1
28	180077	SCREW, 5/16-18 X .75	2
29	1498	NUT, 5/16-18	2
30	321828	BLADE BRAKE ASSEMBLY	1
30-1	135624	RIVET	2
30-2	304119	BRAKE ARM	1
30-3	306973	BRAKE PAD	1
31	180077	SCREW, 5/16-18 X .75	1
32	120393	WASHER, FLAT .344 X .69 X .065	1
33	1498	NUT, 5/16-18	1
34	302714	ROD, BRAKE	1
35	1502	NUT, 1/4-20	1
36	35410	SPRING	1
37	1498	NUT, 5/16-18	1
38	337734	QUILL ASSEMBLY	2
38-1	56425	SHAFT/SADDLE	1
38-2	49562	BEARING, BALL	1
38-3	50616	DUST SHIELD	1
38-4	55547	QUILL CASTING	1
38-5	49562	BEARING, BALL	1
38-6	50818	SPACER, SLEEVE	1
38-7	331067	SPACER, QUILL	1
38-8	333132	PULLEY, QUILL VSL	1
38-9	56365	WASHER, SPECIAL QUILL	1
38-10	1282	NUT, 7/16-20	1
39	35498	SCREW, 5/16-18 X .75	7
40	300345	SCREW, 5/16-18 X 1.38	1
41	318445	BRACKET, FRONT DECK	1
42	180077	SCREW, 5/16-18 X .75	4
43	1498	NUT, 5/16-18	4
48	317041	BRACKET, GAGE WHEEL, LH	1
49	180077	SCREW, 5/16-18 X .75	3
50	1498	NUT, 5/16-18	3
51	322464	BRACKET, GAGE WHEEL, RH, FRONT	1
52	314282	BRACKET, STABILIZER	1
53	180077	SCREW, 5/16-18 X .75	3
54	1498	NUT, 5/16-18	3
55	313316	BLADE, 40" 20.32	2
56	2483	WASHER, .391D X 1.25D X .07	6
57	39573	SCREW, 3/8-24 X 1.00	2

C Symbol denotes critical assembly points.



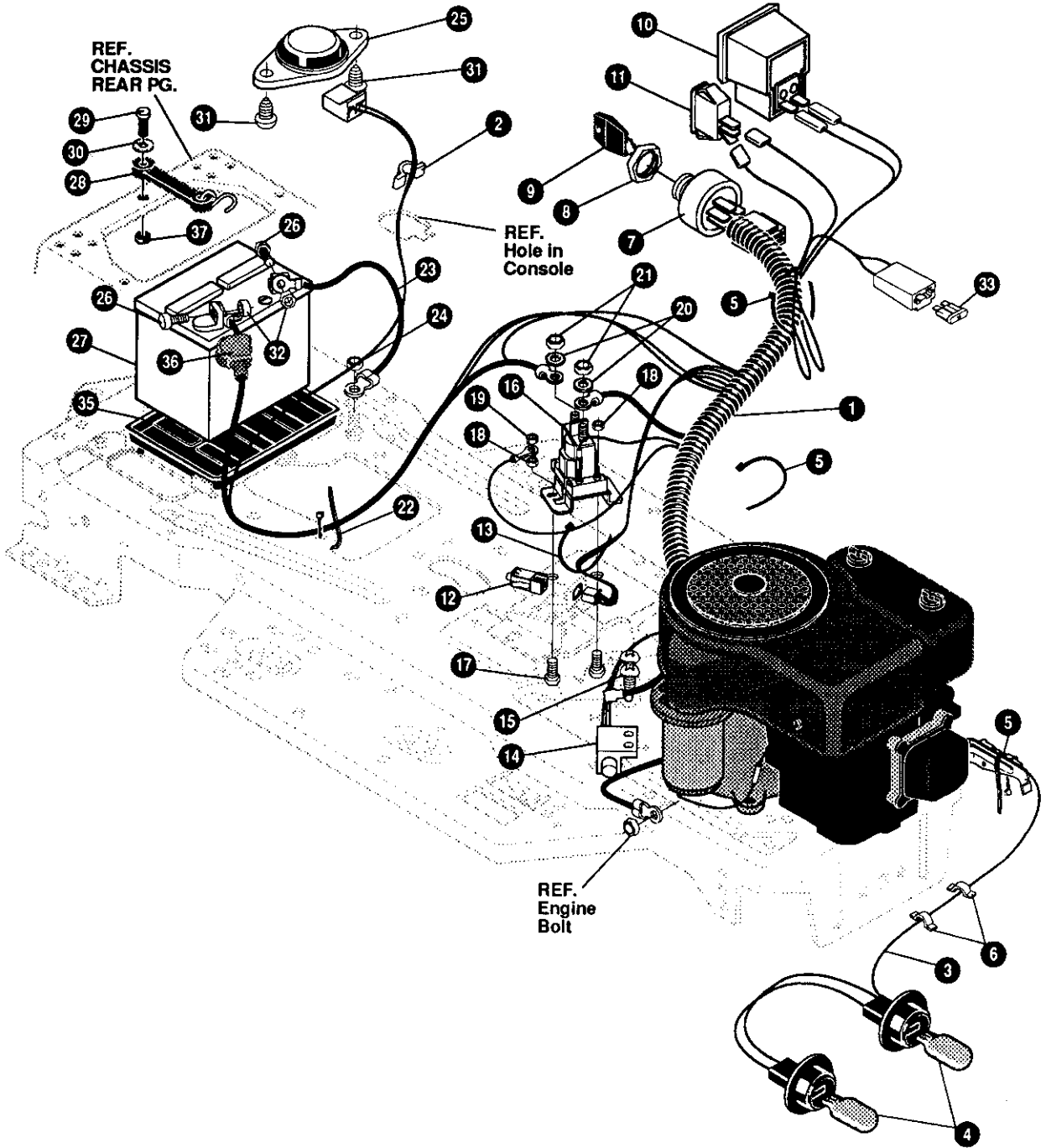
NOTE: ALWAYS USE ORIGINAL EQUIPMENT PARTS. Use of service/replacement parts other than original equipment parts may void your warranty.

ALL UNNUMBERED ITEMS ARE INTERCHANGEABLE WITH OPPOSITE SIDE

325680 C

KEY#	PART#	DESCRIPTION	QTY
1	*	DECK, 40" MOWER	1
2	58306	ROD, DECK HITCH	1
3	8260	PIN, HAIR	1
4	57325	BOLT, 3/8-16 X 2.00	1
5	25210	WASHER, FLAT .386 X 1.25 X .09	1
6	1346	RETAINER, BELT	1
7	310326	PULLEY, IDLER	1
8	996307	WASHER, FLAT .391 X 1.00 X .209	1
9	120382	WASHER, .393 X .68 X .10	1
10	120377	NUT, 3/8-16	1
11	300473	SPRING, TENSION	1
12	319005	BELT, V 5L 81.00	1
13	328257	GUARD, BELT, LH	1
14	180077	SCREW, 5/16-18 X .75	3
15	120393	WASHER, FLAT .344 X .69 X .065	3
16	1498	NUT, 5/16-18	3
17	302611	GAUGE WHEEL	2
18	23763	BOLT, .500 X 1.390	2
19	1499	NUT, 3/8-16	2
20	304422	CHUTE DEFLECTOR	1
21	314975	SPRING, TORSION	1
22	304424	ROD, PIVOT DECK	1
23	3535	NUT, PUSH ON CAP	1
29	58305-853	BRACKET, LINK DECK FRONT	1
30	58247	NUT, ADJUST	2
31	180079	SCREW, 5/16-18 X 1.00	2
32	1498	NUT, 5/16-18	2

* REFERENCE ONLY



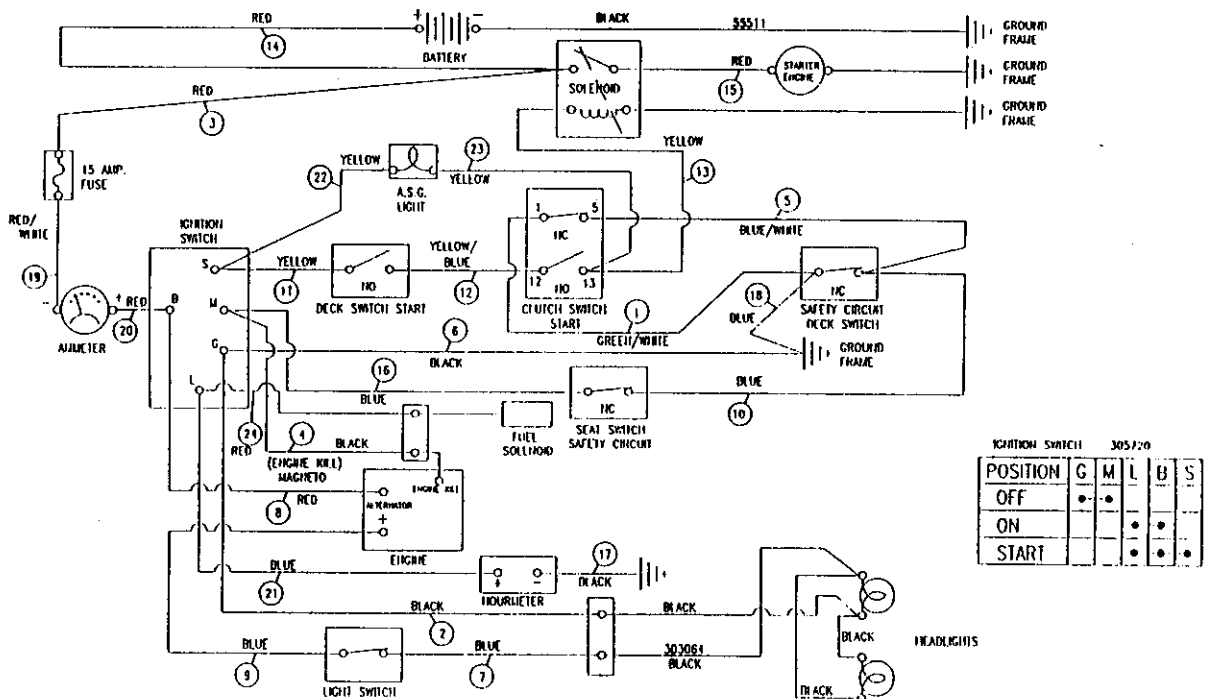
NOTE: ALWAYS USE ORIGINAL EQUIPMENT PARTS. Use of service/replacement parts other than original equipment parts may void your warranty.

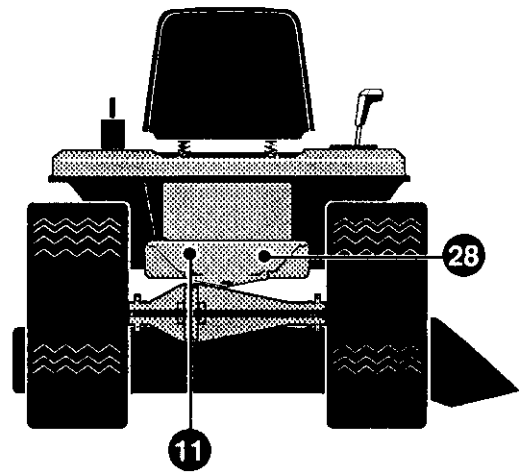
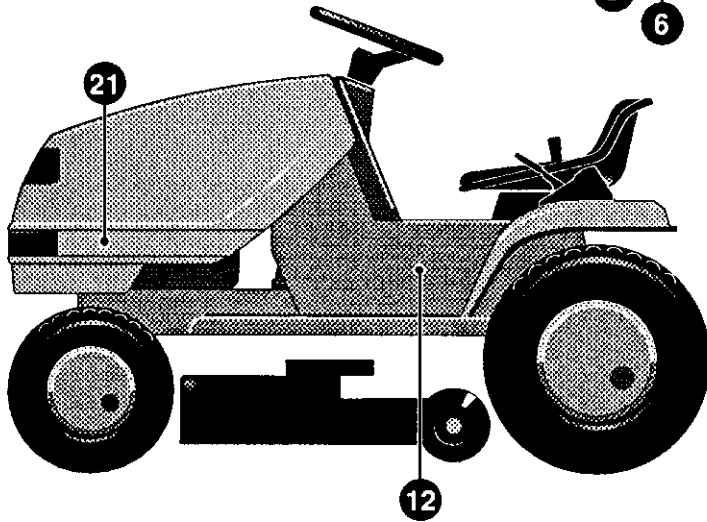
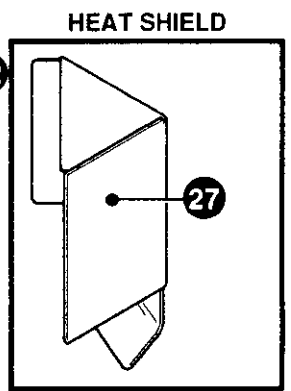
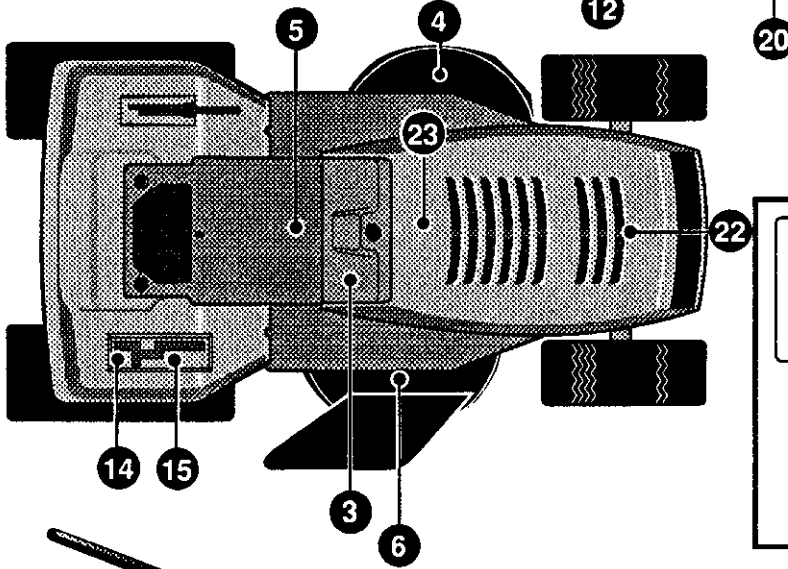
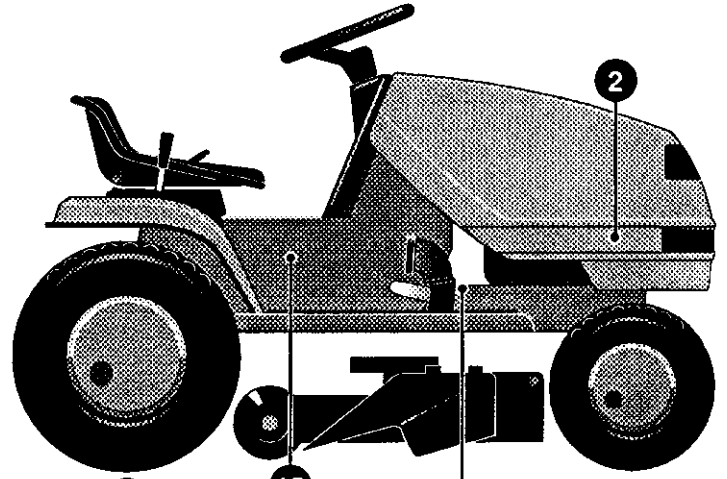
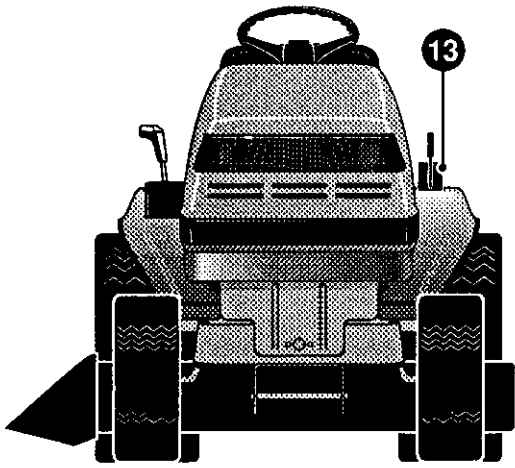
ALL UNNUMBERED ITEMS ARE INTERCHANGEABLE WITH OPPOSITE SIDE

336356 A

KEY#	PART#	DESCRIPTION	QTY
1	328253	HARNES, 14.5HP	1
2	41482	PRESS CLIP	1
3	303064	ASSEMBLY, LIGHT WIRE	1
4	52572	BULB, HEADLAMP	2
5	57444	TIE, CABLE	3
6	41482	PRESS CLIP	2
7	327355	SWITCH-IGNITION	1
8	327352	NUT, 5/8-8	1
9	327350	KEY, IGNITION	2
10	300133	AMMETER	1
11	300334	LIGHT SWITCH ON/OFF PANEL MOUNT	1
12	320082	SWITCH, DOUBLE POLE	1
13	57444	TIE, CABLE	1
14	57476	SWITCH, SCREW MOUNT	1
15	57220	SCREW, #12 X .50	2
16	53716	SOLENOID	1
17	187745	SCREW, 1/4-20 X .75	2
18	1502	NUT, 1/4-20	2
19	271172	NUT, 1/4-20	1
20	138485	WASHER, .320 X .61 X .03	2
21	120368	NUT, 5/16-24	2
22	57444	TIE, CABLE	1
23	55511	WIRE, GROUND, 12.5"	1
24	271184	NUT, 5/16-18	1
25	57547	SWITCH, SEAT	1
26	160505	SCREW, 1/4-20 X .38	2
27	302257	BATTERY, 7 PLATE	1
28	57505	RUBBER STRAP	1
29	180022	SCREW, 1/4-20 X 1.00	1
30	120392	WASHER, FLAT .281 X .63 X .065	1
31	180020	SCREW, 1/4-20 X .75	2
32	271172	NUT, 1/4-20	2
35	91895	TRAY - BATTERY	1
36	335417	BOOT, BATTERY	1
37	1502	NUT, 1/4-20	1

SCHEMATIC DRAWING

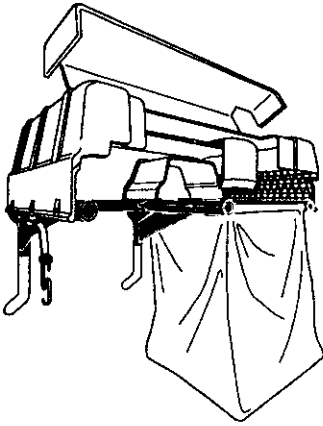




KEY#	PART#	DESCRIPTION	QTY
1	305603	PAD, 18 X 6 FOAM HOOD	2
2	402860	DECAL HOOD TEXAS 14.5/40, RH	1
3	321765	DECAL, DASH, PTO/LIGHT	1
4	402700	DECAL, CAUTION DECK, LH	1
5	338539	DECAL, CONS CAUTION	1
6	402701	DECAL, CAUTION DECK RH CUT HAND	1
11	335197	DECAL, AUTOMATIC DRIVE	1
12	402661	NAMEPLATE, 14.5/40 WHITE	2
13	402214	DECAL, HEIGHT ADJUST	1
14	402739	DECAL, SHIFTER HYDRO REV/NEUTRAL	1
15	402738	DECAL, SHIFTER HYDRO FORWARD	1
20	402702	DECAL, BRAKE/CLUTCH	1
21	402861	DECAL HOOD TEXAS 14.5/40, LH	1
22	307277	PAD, 12 X 4 FOAM HOOD	1
23	305602	FOAM, HOOD 4 X 15	1
27	338543	DECAL, HOT SURF WARNING	1
28	338542	DECAL, DRAWBAR WARNING	1

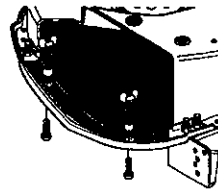
Contact the dealer where your tractor was purchased for the available accessories. If you are unable to contact the dealer, write to the address on the warranty page of your Operator's manual.

Large Lawn Tractor

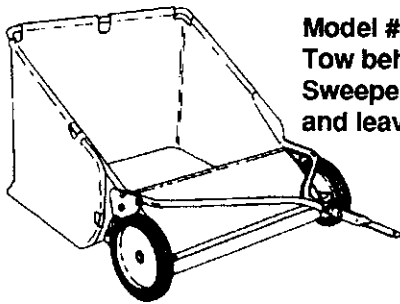
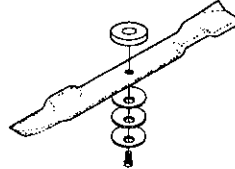


Model # 57083400
Grass Collector for
40, 42, 43" decks

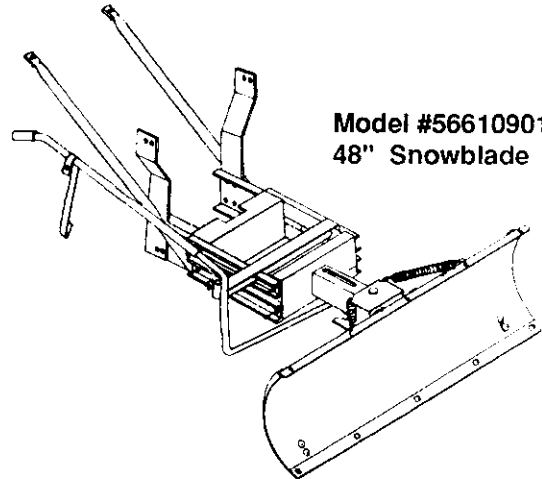
For heavy duty grass
collection order Model
#57091000 Air Assist



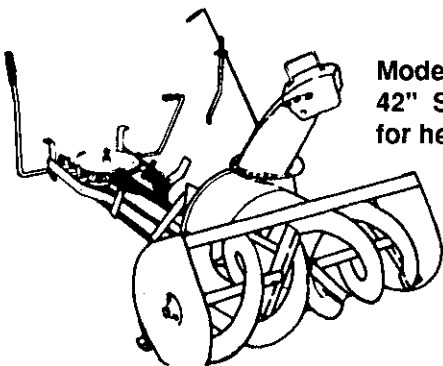
57170000
Mulching Kit (42/43" Deck)
57160000
Mulching Kit (40" Deck)



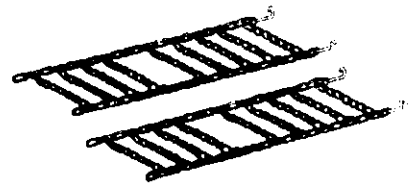
Model # 24720
Tow behind Lawn
Sweeper for grass
and leaves



Model #56610901
48" Snowblade



Model #57050600
42" Snowthrower
for heavy snowfall



Model # 24525
Tire Chains - 20" x 8.0" tires
Model # 24515
Tire Chains - 20" x 10.0" tires

OTHER ACCESSORIES

Model	Description
56720100	Wheel Weights - Front - 1 pr. w/mtg. hdw. - Fits 15" tires
5673020	Wheel Weights - Rear - 1 pr. w/mtg. hdw. - Fits 18" & 20" tires (for 4ws only)
24003	Wheel Weights - Rear - 1 pr. w/mtg. hdw. - Fits 18" & 20" tires (for 2ws only)
309070	40" High Lift Blade for Bagging or Side Discharge (Requires 2)
330277	40" Mulching Blade (Requires 2)
316608	43" High Lift Blade for Bagging or Side Discharge (Requires 2)
325762	43" Mulching Blade (Requires 2)