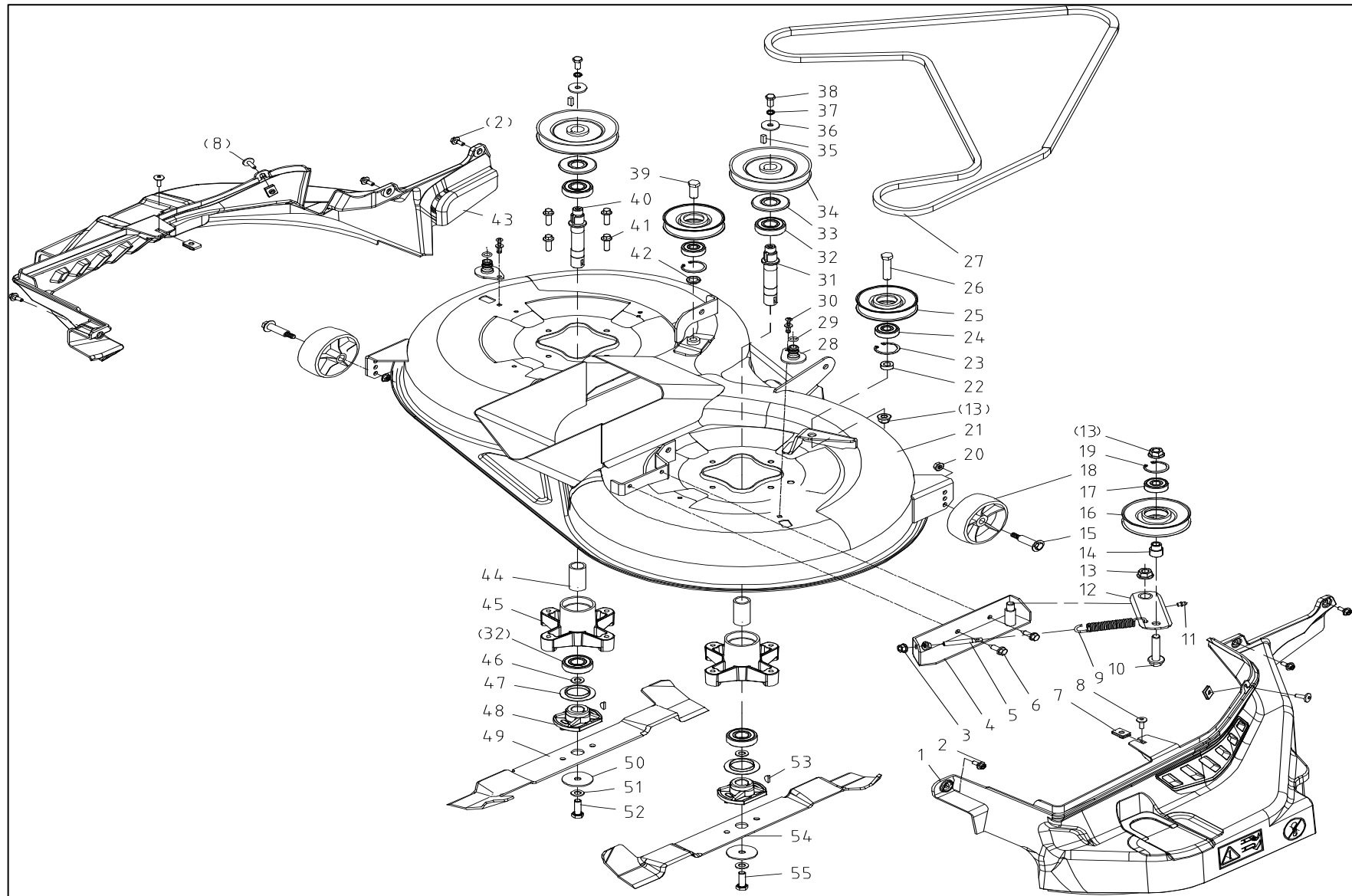


Model: TTC102H

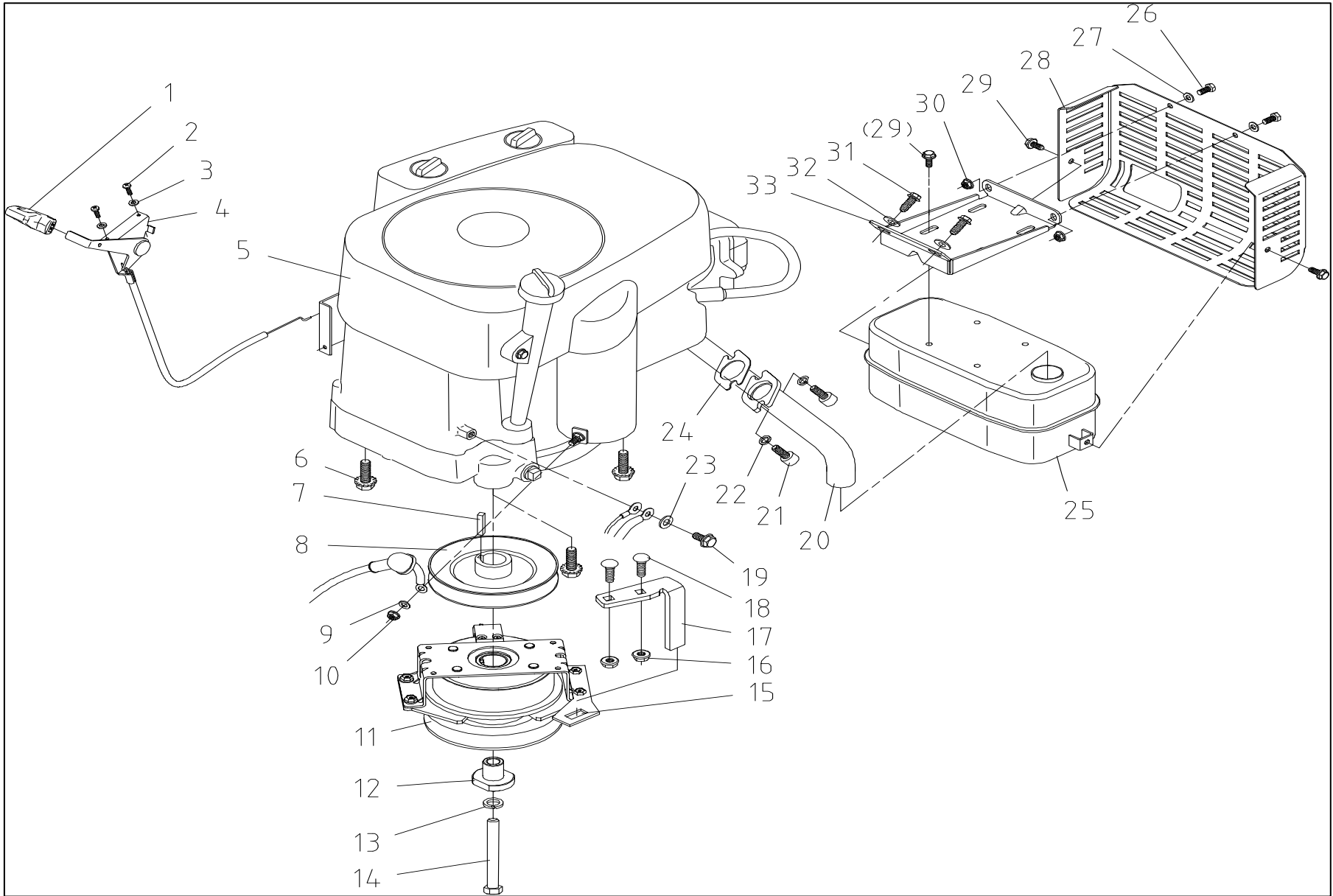
Part number: 90063134

Year: 2023

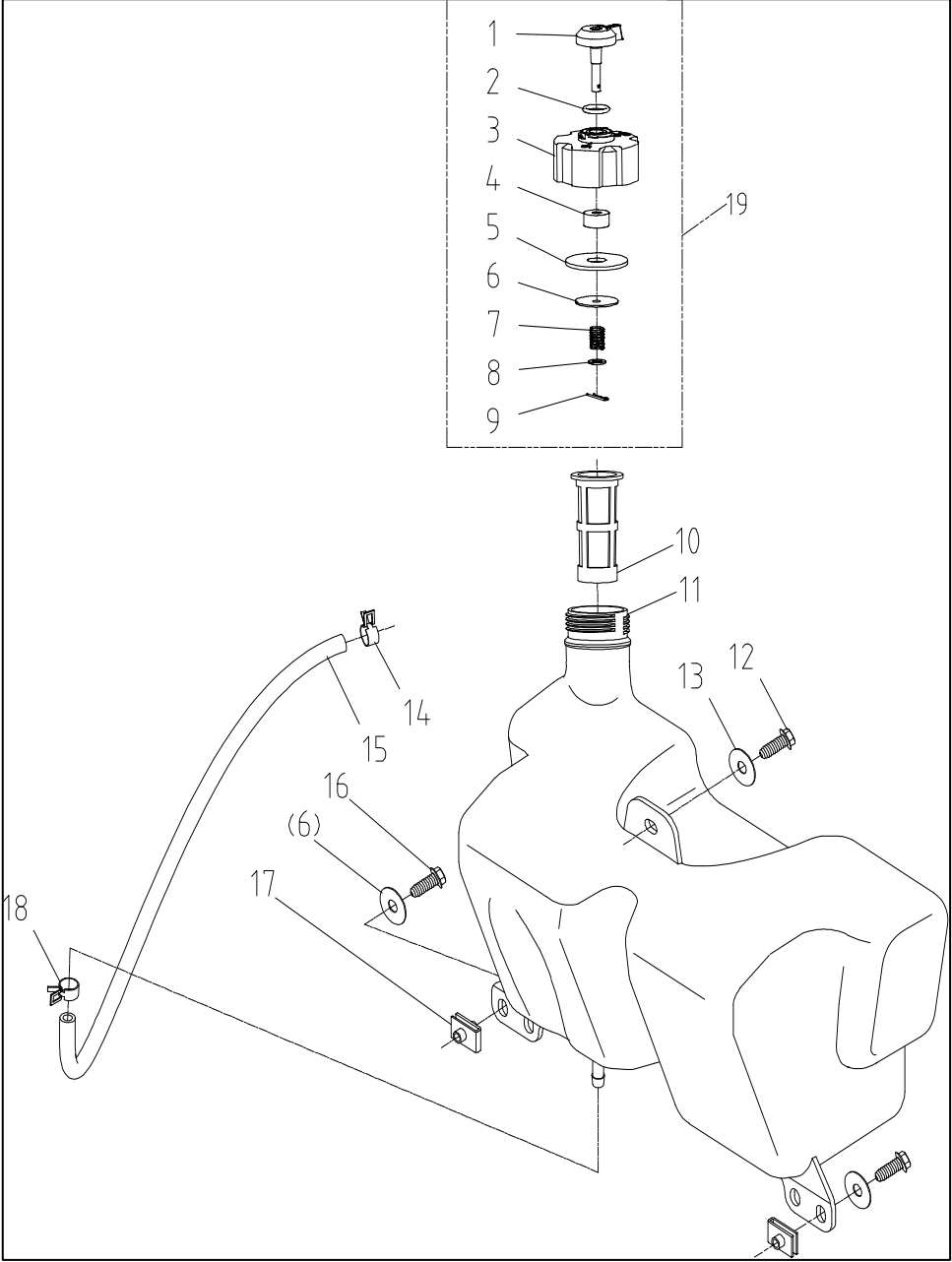


POS	QTY	PARTNUMBER	BESKRIVELSE	DESCRIPTION
1	1	451612	SKÆRM BESLAG	BELT COVER RIGHT
2	6	451613	SKRUE 6,3X11,5	HEXAGON HEAD TAPPING SCREW6.3X11.5
3	2	403226	FLANGEMØTRIK M6	COLLAR NUT M8
4	1	451614	HOLDER	CUT TENTION SUPPORT WELDMENT
5	1	451615	JUSTERINGSSKRUE	ADJUSTING SCREW ROD
6	2	451616	FLANGEBOLT M5X16-18TX3/4	FLANGE BOLT5/16-18TX3/4
7	4	439509	MØTRIK M6	BUCKLE NUT M6
8	4	439622	SKRUE M6X16	SCREW M6×16
9	1	451617	FJEDER	TRACTION SPRING
10	1	449511	BOLT M6X16	FLANGE BOLT M10×1.25×25
11	1	439498	SMØRENIPPEL	OIL INJECTION NOZZLE
12	1	451618	BOLT M12X1.25X50	CUT TENTION ARM WELDMENT
13	1	451619	LÅSEMØTRIK M12X1.25	TENTION PULLEY CUSHION COVER
14	2	439474	AFSTANDSSTYKKE	FLANGE LOCK NUT M10×1.25
15	2	451620	HJULAKSEL	WHEEL AXLE
16	1	451621	REMHJUL	TENTION PULLEY WELDMENT TTM86,PLATING WH
17	1	436583	LEJE 6203-2RZ	BEARING 61904-2RZ
18	2	439607	HJUL	WHEEL
19	1	439480	LÅSERING 37	SNAP RING 37
20	3	449501	LÅSEMØTRIK M8	FLANGE LOCK NUT M6
21	1	451622	KLIPPEBORD	DECK WELDMENT
22	1	451623	LEJE	RIGHT GUIDE WHEEL CUSHION COVER
23	2	439480	LÅSERING 37	SNAP RING 37
24	2	436583	LEJE 6203-2RZ	BEARING 61904-2RZ
25	2	436574	REMSKIVE	TENSION PULLEY
26	1	451624	BOLT LANG	TENTION PULLEY BOLT LONG TTM86,BLACKEN
27	1	451625	KLIPPEREM	BELT
28	2	439613	VASKESTUDS	WATER NOZZLE
29	2	439612	SKIVE 11.2X2.65	O RING 11.2×2.65
30	2	451626	PLASTIKNITTE	PLASTIC EXPANSION RIVETS
31	1	451627	KNIVAKSEL HØJRE	RIGHT BLADE AXLE
32	4	440923	LEJE 6204-2RZ	BEARING 6204-2RZ
33	2	440944	LEJE	HOOD, BEARING
34	2	439616	REMSKIVE	PULLEY
35	2	440929	NOT C6X18	KEY C6X30
36	2	440881	SKIVE	WASHER
37	2	403343	FJEDERSKIVE	SPRING COLLAR
38	2	449511	BOLT M6X16	FLANGE BOLT M10×1.25×25
39	1	451628	BOLT	BOLT
40	1	451629	KNIVAKSEL VENSTRE	LEFT BLADE AXLE
41	8	449511	BOLT M6X16	FLANGE BOLT M10×1.25×25
42	1	403343	FJEDERSKIVE	SPRING COLLAR
43	1	451630	REMSKÆRM VENSTRE	BELT COVER LEFT
44	2	440926	AFSTANDSRØR	PIVOT TUBE
45	2	440549	KNIVAKSEL	CUTTTER HOUSE

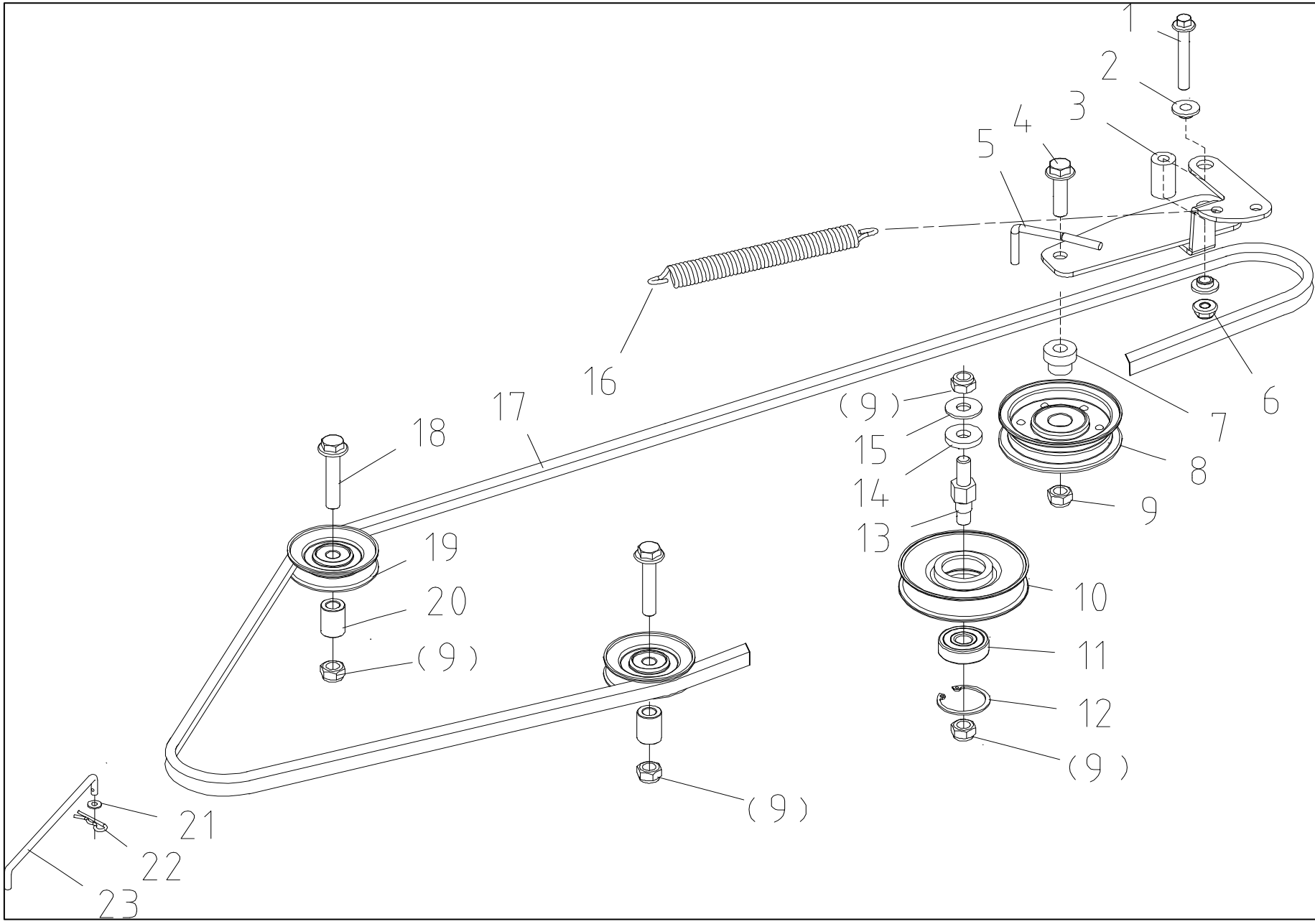
POS	QTY	PARTNUMBER	BESKRIVELSE	DESCRIPTION
46	2	440548	AFSTANDSSKIVE	SPACER RING
47	2	440573	SKIVE 50X20,2X2	WASHER 50X20.2X2
48	2	436588	KNIVHOLDER	SLEEVE
49	1	451631	KNIV VENSTRE	LEFT BLADE
50	2	436591	SKIVE	SAUCER WASHER
51	2	436590	SKIVE M10	WASHER
52	1	436589	KNIVBOLT	BOLT 3/8-24UNF
53	2	409860	NOT HALVCIRKEL	HALFMOON KEY
54	1	451632	KNIV HØJRE	RIGHT BLADE
55	1	465026	KNIVBOLT 3/8-24-1.25-LH	LH BOLT 3/8-24-1.25"-1.25-LH



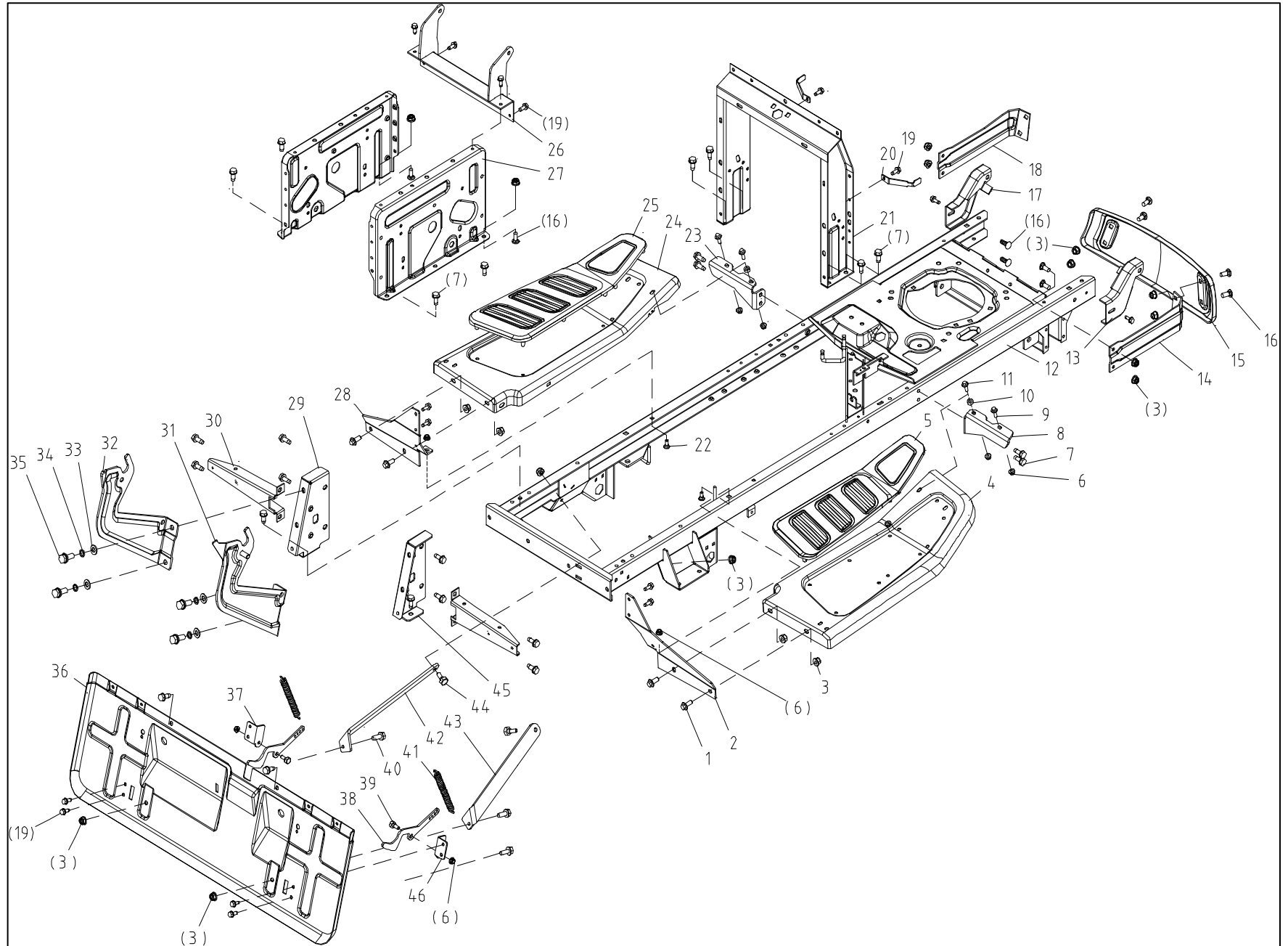
POS	QTY	PARTNUMBER	BESKRIVELSE	DESCRIPTION
1	1	451633	CHOKERHÅNDTAG	CHOKE KNOB
2	2	449498	SKRUE M4X16	SCREW M4×16
3	2	436590	SKIVE M10	WASHER
4	1	436571	GASKABEL MED REGULATOR	THROTTLE CABLE
5	1	439439	MOTOR LONCIN 452CC LC1P92F-1	ENGINE LONCIN 452CC
6	4	449499	BOLT 3/8"-16-1 1/4"	"TAPPING SCREW 3/8""-16-1 1/4""
7	1	439442	NOT	FLAT KEY 6.35×30
8	1	440448	MOTORREMSKIVE	ENGINE PULLEY WELDMENT
9	1	436590	SKIVE M10	WASHER
10	1	449501	LÅSEMØTRIK M8	FLANGE LOCK NUT M6
11	1	451634	ELEKTRISK KOBLING	ELECTRIC CLUTCH
12	1	451635	KOBLINGS BØS	CLUTCH STEP BUSHING
13	1	439445	FJEDERSKIVE 7/16"	"SPRING WASHER 7/16""
14	1	436589	KNIVBOLT	BOLT 3/8-24UNF
15	1	451636	KOBLINGSBESLAG	CLUTCH CLAMP PLATE
16	2	449501	LÅSEMØTRIK M8	FLANGE LOCK NUT M6
17	1	451637	KOBLINGSSKÆRM	CLUTCH BAFFLE WELDMENT (SMALL BIN)
18	2	439472	BOLT M8X20	BOLT M8×20
19	1	451638	FLANGEBOLT M8X16	FLANGE BOLT M8×16
20	1	439448	UDSTØDNINGRØR	EXHAUST PIPE
21	2	439446	SKRUE 5/16"-18-3/4"	" SCREW 5/16""-18 -3/4""
22	2	439445	FJEDERSKIVE 7/16"	"SPRING WASHER 7/16""
23	1	436590	SKIVE M10	WASHER
24	1	439447	PAKNING	GASKET
25	1	439471	UDSTØDNING	MUFFLE
26	2	439462	BOLT M8X16	BOLT M8×16
27	2	439465	SKIVE 10	BIG WASHER 6
28	1	451639	VARMESKJOLD	FRONT SHIELD
29	6	451640	BOLT M6X16	TAPPING SCREWM6*16
30	2	449503	MØTRIK M8	FLANGE NUT M6
31	2	451616	FLANGEBOLT M5X16-18TX3/4	FLANGE BOLT5/16-18TX3/4
32	2	439465	SKIVE 10	BIG WASHER 6
33	1	451641	BESLAG	BRACKET



POS	QTY	PARTNUMBER	BESKRIVELSE	DESCRIPTION
1	1	439449	VENTIL	FUEL TANK CAP LEVER
2	1	439450	GUMMIRING	O RING
3	1	439451	TANKDÆKSEL	FUEL TANK CAP
4	1	439452	FILTER	FUEL TANK CAP FILTER
5	1	439453	PAKNING	FUEL TANK CAP SEAL
6	1	439454	TANKPAKNING 6X25X1.5	GASKET 6×25×1.5
7	1	439455	FJEDER	FUEL TANK CAP SPRING
8	1	436590	SKIVE M10	WASHER
9	1	439456	SPLIT	SPLIT PIN
10	1	436572	BENZINFILTER	FILTER CAP
11	1	439457	BRÆNDSTOFTANK	FUEL TANK
12	1	451640	BOLT M6X16	TAPPING SCREWM6*16
13	3	439454	TANKPAKNING 6X25X1.5	GASKET 6×25×1.5
14	1	439458	KLEMME	CLIP 10
15	1	439459	BRÆNDSTOFSLANGE	FUEL HOSE
16	2	439462	BOLT M8X16	BOLT M8×16
17	2	439509	MØTRIK M6	BUCKLE NUT M6
18	1	449502	KLEMME	CLIP ?10
19	1	451642	TANKLÅG KOMPLET	FUEL TANK CAP ASY

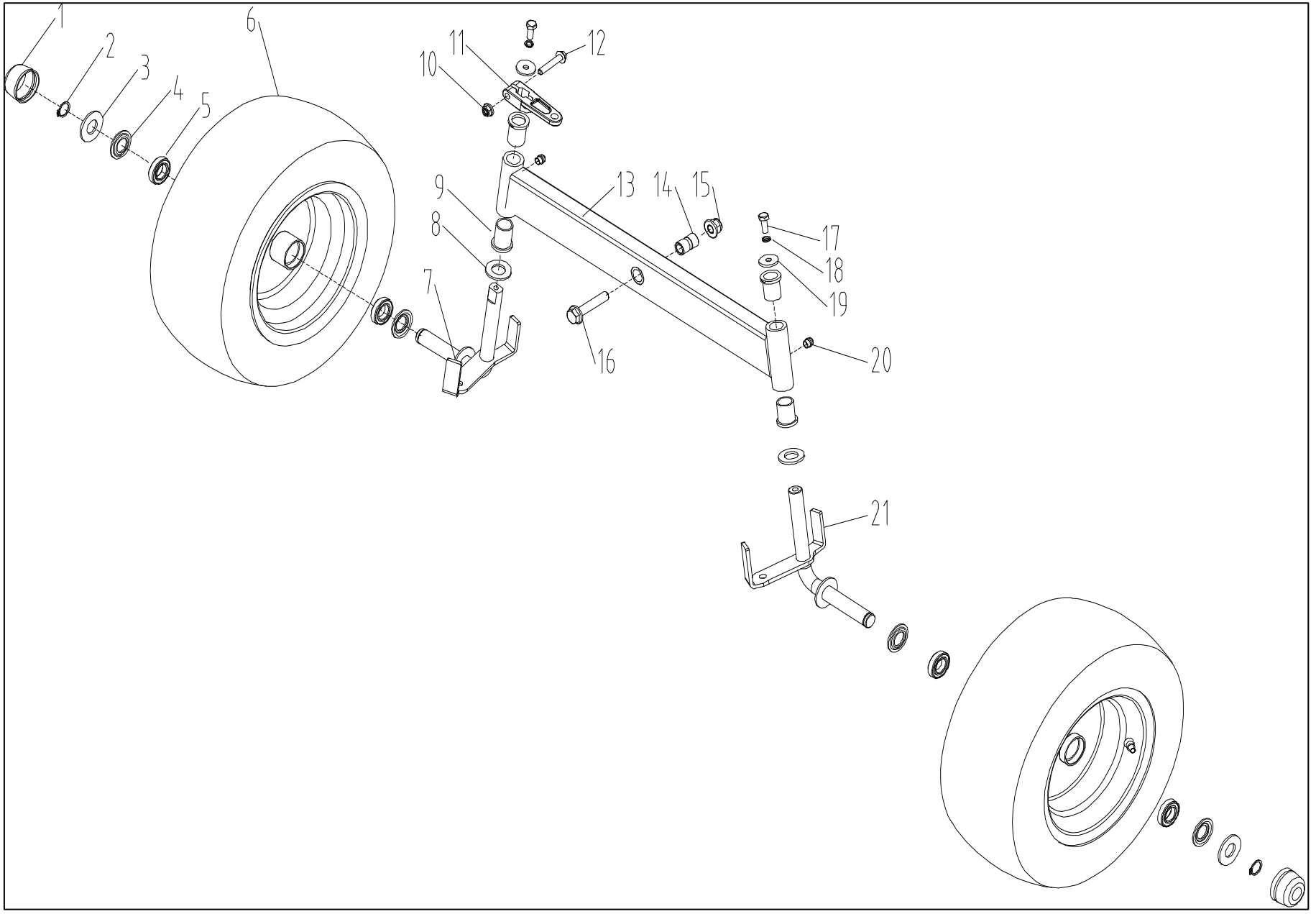


POS	QTY	PARTNUMBER	BESKRIVELSE	DESCRIPTION
1	1	449506	BOLT M10X1.25X40	" FLANGE BOLT M10×1.25×40
2	2	451643	SKIVE Ø8X18X33	BUSHING
3	1	451644	BØS	SPACER ϕ 8X ϕ 18X33
4	1	449506	BOLT M10X1.25X40	" FLANGE BOLT M10×1.25×40
5	1	451645	DRIVARM	DRIVING TENTION ARM WELDMENT
6	1	449503	MØTRIK M8	FLANGE NUT M6
7	1	439487	BØS	TENTION PULLEY BUSHING
8	1	436575	REMSKIVE	TENSION PULLEY
9	5	439481	LÅSEMØTRIK M10X1.25	LOCK NUT M10×1.25
10	1	436574	REMSKIVE	TENSION PULLEY
11	1	436583	LEJE 6203-2RZ	BEARING 61904-2RZ
12	1	439480	LÅSERING 37	SNAP RING 37
13	1	451646	BOLT	BOLT
14	1	451647	SKIVE Ø27X10X5,5	WASHER ϕ 27X ϕ 10.5X5
15	1	439465	SKIVE 10	BIG WASHER 6
16	1	436576	FJEDER	SPRING
17	1	451648	DRIVREM	V BELT LG4-1030
18	2	449506	BOLT M10X1.25X40	" FLANGE BOLT M10×1.25×40
19	2	440468	REMHJUL	IDLER PULLEY
20	2	451649	BØS	GUIDE PULLEY CUSHION SLEEVE
21	1	436590	SKIVE M10	WASHER
22	1	449510	FJEDERSPLIT	SPRING PIN
23	1	451650	ARM	OIL DRAIN PUSH ROD(K46)

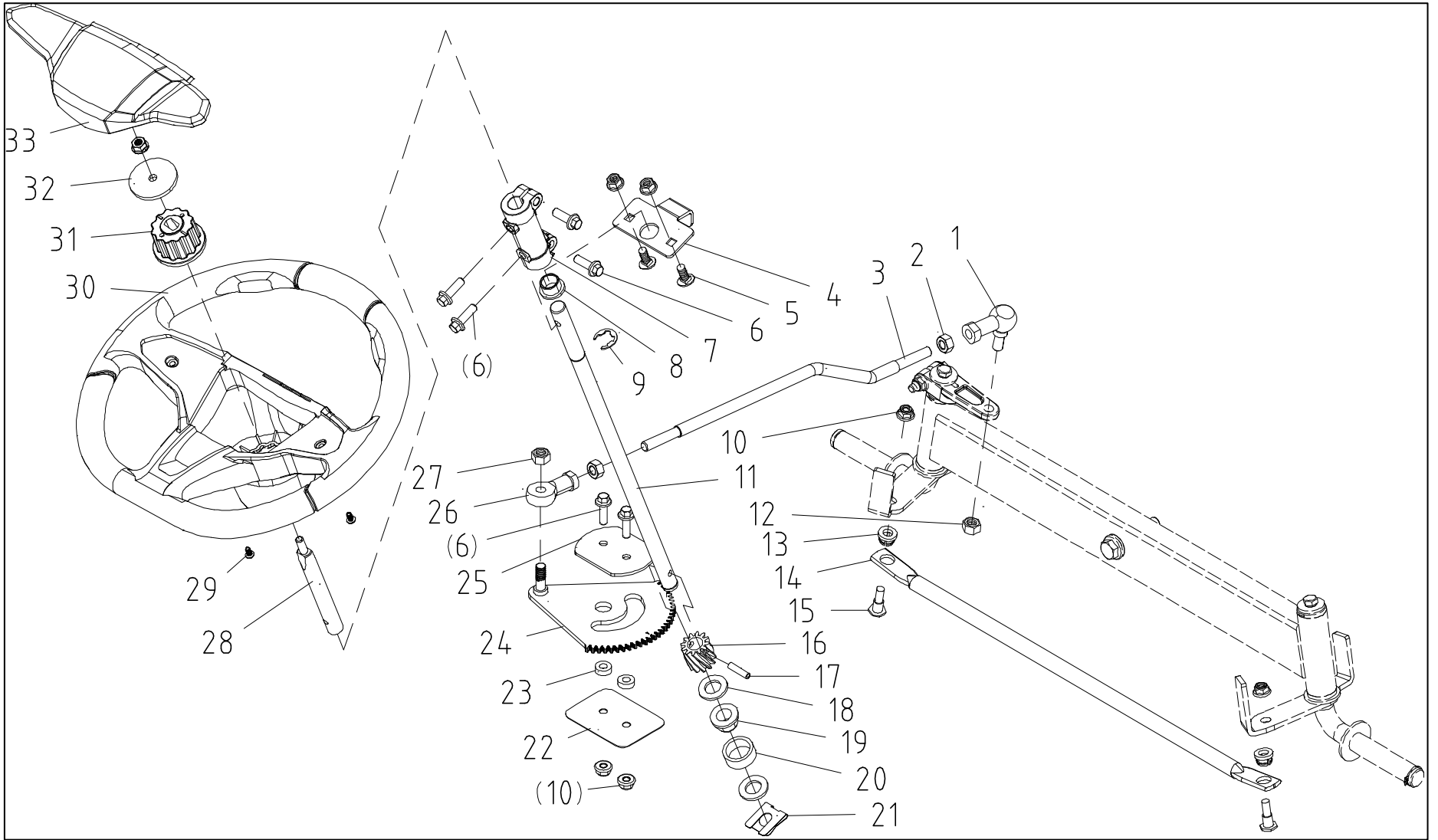


POS	QTY	PARTNUMBER	BESKRIVELSE	DESCRIPTION
1	4	449511	BOLT M6X16	FLANGE BOLT M10×1.25×25
2	1	451651	BESLAG	RIGHT PEDAL HANGER
3	16	449501	LÅSEMØTRIK M8	FLANGE LOCK NUT M6
4	1	451652	FODPLADE HØJRE	RIGHT PEDAL
5	1	451653	GUMMI MÅTTE HØJRE	RIGHT FOOT PAD
6	8	449501	LÅSEMØTRIK M8	FLANGE LOCK NUT M6
7	24	451616	FLANGEBOLT M5X16-18TX3/4	FLANGE BOLT5/16-18TX3/4
8	1	451654	BESLAG FOR PEDAL HØJRE	PEDAL FRONT SUPPORT RIGHT
9	2	439441	BOLT M8X45	FLANGE BOLT M10×1.5×35
10	2	439518	BØS	BUSHING
11	4	449511	BOLT M6X16	FLANGE BOLT M10×1.25×25
12	1	451655	RAMME	CHASIS
13	1	451656	BESLAG	ENGINE COVER BRACKET RIGHT
14	1	451657	BESLAG FOR KOFANGER HØJRE	RIGHT BAMPER ROD
15	1	451658	KOFANGER	BAMPER
16	10	439472	BOLT M8X20	BOLT M8×20
17	1	451659	BESLAG	ENGINE COVER BRACKET LEFT
18	1	451660	BESLAG FOR KOFANGER VENSTRE	LEFT BAMPER ROD
19	10	451640	BOLT M6X16	TAPPING SCREWM6*16
20	2	451661	BESLAG	STEERING
21	1	451662	BESLAG	STEERING BRACKET
22	2	439472	BOLT M8X20	BOLT M8×20
23	1	451663	BESLAG	PEDAL FRONT SUPPORT LEFT
24	1	451664	FODPLADE VENSTRE	LEFT PEDAL
25	1	451665	GUMMIMÅTTE VENSTRE	LEFT FOOT PAD
26	1	451666	BESLAG	SEAT FRONT BEAM WELDMENT
27	2	451667	SIDEPLADE	SIDE PLATE
28	1	451668	PEDALOPHÆNG	LEFT PEDAL HANGER
29	1	451669	FORBINDINGSPLADE	TRAPEZOIDAL CONNECTING PLATE PLATE WELDM
30	2	451670	BESLAG	TAILGATE BRACKET
31	1	451671	SVINGBESLAG HØJRE	SWINGING FRAME RIGHT WELDMENT
32	1	451672	SVINGBESLAG VENSTRE	SWINGING FRAME LEFT WELDMENT
33	4	403342	SKIVE 4	WASHER
34	4	403343	FJEDERSKIVE	SPRING COLLAR
35	4	451638	FLANGEBOLT M8X16	FLANGE BOLT M8×16
36	1	451673	BAGERSTE BESLAG	REAR DAMPER
37	1	451674	BESLAG FOR KROG VENSTRE	HOOK BASE LEFT
38	2	451675	KROG	HOOK
39	2	440966	GUMMIPROP	BUMPER
40	2	449511	BOLT M6X16	FLANGE BOLT M10×1.25×25
41	2	440812	FJEDER	SPRING
42	1	451676	BESLAG VENSTRE	BACK JACKSTAY LEFT

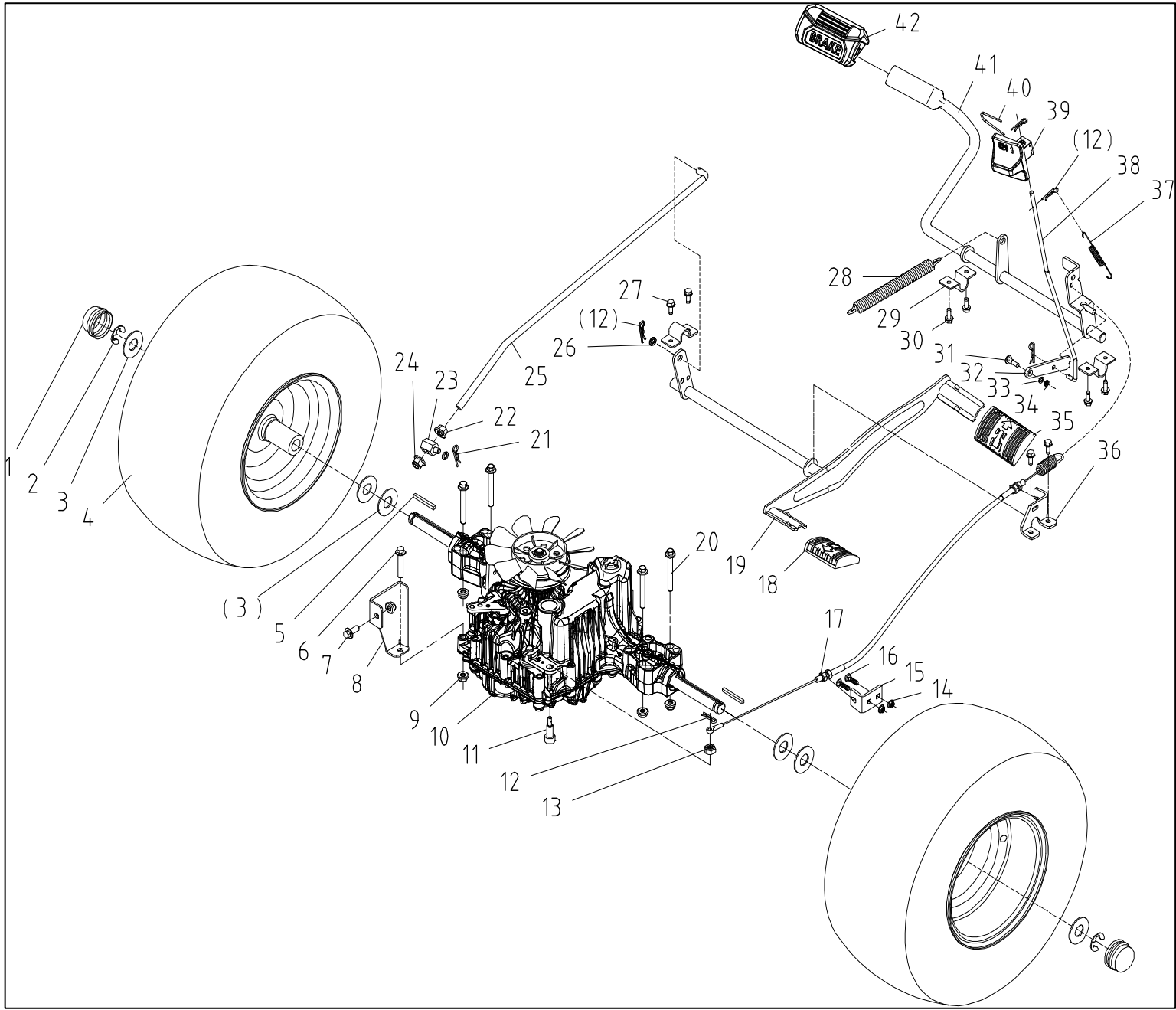
POS	QTY	PARTNUMBER	BESKRIVELSE	DESCRIPTION
43	1	451677	BESLAG HØJRE	BACK JACKSTAY RIGHT
44	2	451678	BOLT M8X20	STEP BOLT M8×20
45	1	451679	FORBINDINGSPLADE	TRAPEZOIDAL CONNECTING PLATE PLATE WELDM
46	1	451680	BESLAG FOR KROG HØJRE	HOOK BASE RIGHT



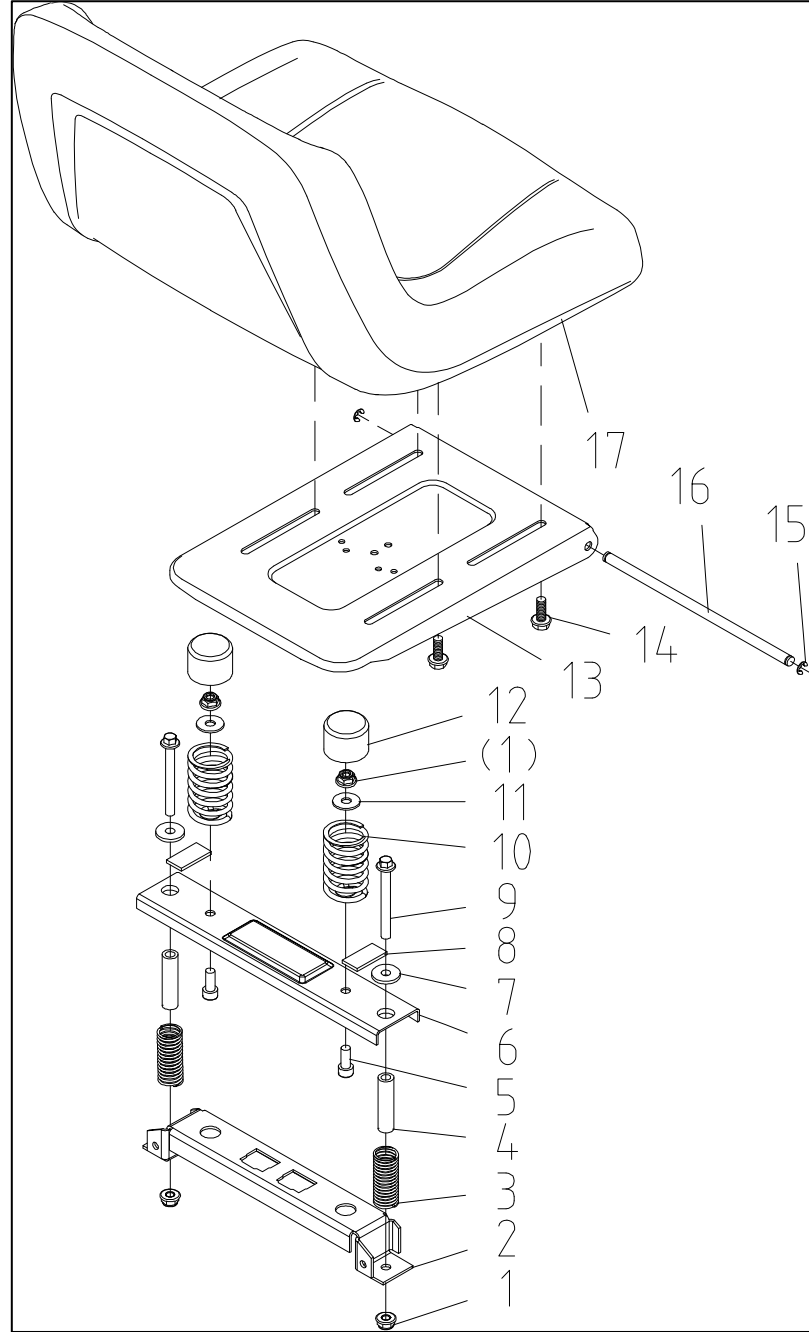
POS	QTY	PARTNUMBER	BESKRIVELSE	DESCRIPTION
1	2	439521	NAVKAPSEL	HUB COVER
2	2	436587	SEEGERRING Ø24	SNAP RING 19
3	2	439522	SKIVE 20X43X3	WASHER ?20×?43×3
4	4	439523	SKIVE	WASHER
5	4	436583	LEJE 6203-2RZ	BEARING 61904-2RZ
6	2	436582	FORHJUL KOMPLET	FRONT WHEEL ASSEMBLY
7	1	451682	HJULGAFFEL HØJRE	FRONT AXLE RH
8	2	436590	SKIVE M10	WASHER
9	4	439525	BØS	BUSHING
10	1	449501	LÅSEMØTRIK M8	FLANGE LOCK NUT M6
11	1	449513	BESLAG	TURNNG ARM
12	1	439441	BOLT M8X45	FLANGE BOLT M10×1.5×35
13	1	451683	FORBRO	FRONT AXLE WELDMENT
14	1	451684	FORRØR	LINER TUBE
15	1	439474	AFSTANDSSTYKKE	FLANGE LOCK NUT M10×1.25
16	1	440954	BOLT M6X20	HEXGON BOLT M6X20
17	2	439462	BOLT M8X16	BOLT M8×16
18	2	439440	FJEDERSKIVE 10	SPRING WASHER 10
19	2	440881	SKIVE	WASHER
20	2	439498	SMØRENIPPEL	OIL INJECTION NOZZLE
21	1	451685	HJULGAFFEL VENSTRE	FRONT AXLE LH



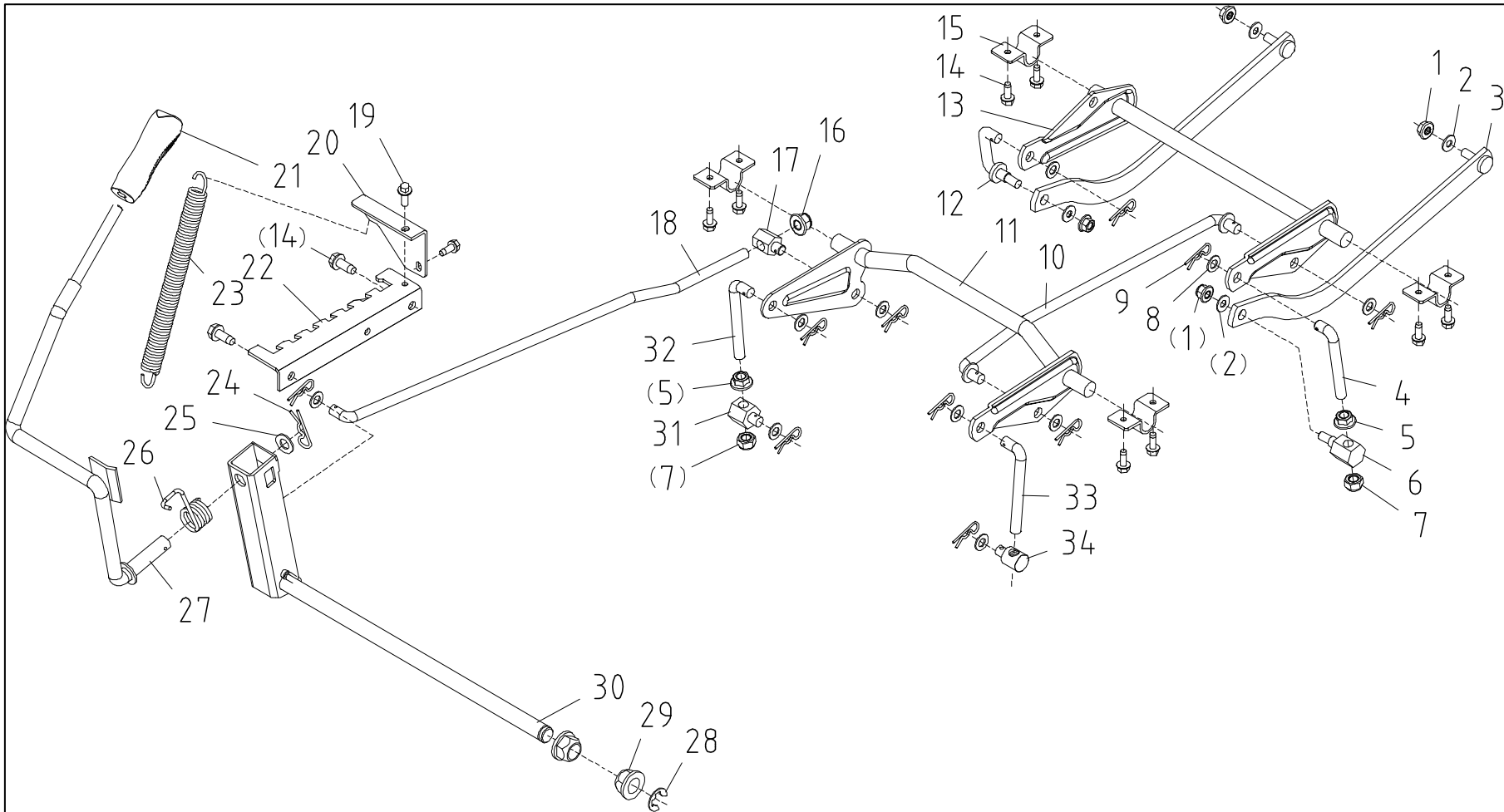
POS	QTY	PARTNUMBER	BESKRIVELSE	DESCRIPTION
1	1	451686	KARDANLED	JOINT BEARING M10
2	2	449512	MØTRIK M8	NUT M8
3	1	451687	FORBINDELSSESSTANG	STEERING DRAG ROD
4	1	451688	PLADE MED FIRKANTET HUL	SQUARE HOLE CARD BOARD
5	2	439472	BOLT M8X20	BOLT M8×20
6	6	439441	BOLT M8X45	FLANGE BOLT M10×1.5×35
7	1	451689	SAMLE BESLAG	COUPLINGS
8	1	451690	BØS	HATCH BUSHING
9	1	436587	SEEGERRING Ø24	SNAP RING 19
10	7	449501	LÅSEMØTRIK M8	FLANGE LOCK NUT M6
11	1	451691	RATSTAMME	STEERING COLUMN
12	1	439544	LÅSEMØTRIK M10	LOCK NUT M10
13	2	451692	GUMMIBØS	ELASTIC RUBBER BUSH
14	1	451693	STYRESTANG	STEERING TIE ROD
15	2	451694	PINBOLT M8X28	PIN SCREW M8×28
16	1	451695	GEAR TANDHJUL TIL RATSTAMME	STEERING GEAR LEFT
17	1	439549	SPLIT 6X26	PIN 6×26
18	2	436590	SKIVE M10	WASHER
19	1	439553	BØSNING	HEXAGON BUSHING
20	1	439552	BØS	BUSHING
21	1	451696	LÅSERING 16	SNAP RING 16
22	1	449518	BOLT M8X45	TIE PLATE
23	2	439550	BØS	BUSHING
24	1	451697	STYREPLADE	STEERING GEAR PLATE WELDMENT
25	1	439547	BESLAG	DOUBLE HOLE BOARD
26	1	439542	FORBINDELSSESLED	JOINT BEARING SIJK10C
27	1	439481	LÅSEMØTRIK M10X1.25	LOCK NUT M10×1.25
28	1	451698	FORBINDELSSESSTANG FOR RATSTAMME	STEERING WHEEL ROD A
29	2	429739	PLADESKRUE MED PANHOVED OG POZIDRIVE 4,8X14	ST SCREW 4.8X13
30	1	451699	RAT	STEERING WHEEL
31	1	451700	RATNAV	SPLINED HUB
32	1	451701	SKIVE	WASHER
33	1	451702	AFSKÆRMNING	STEERING WHEEL CAP



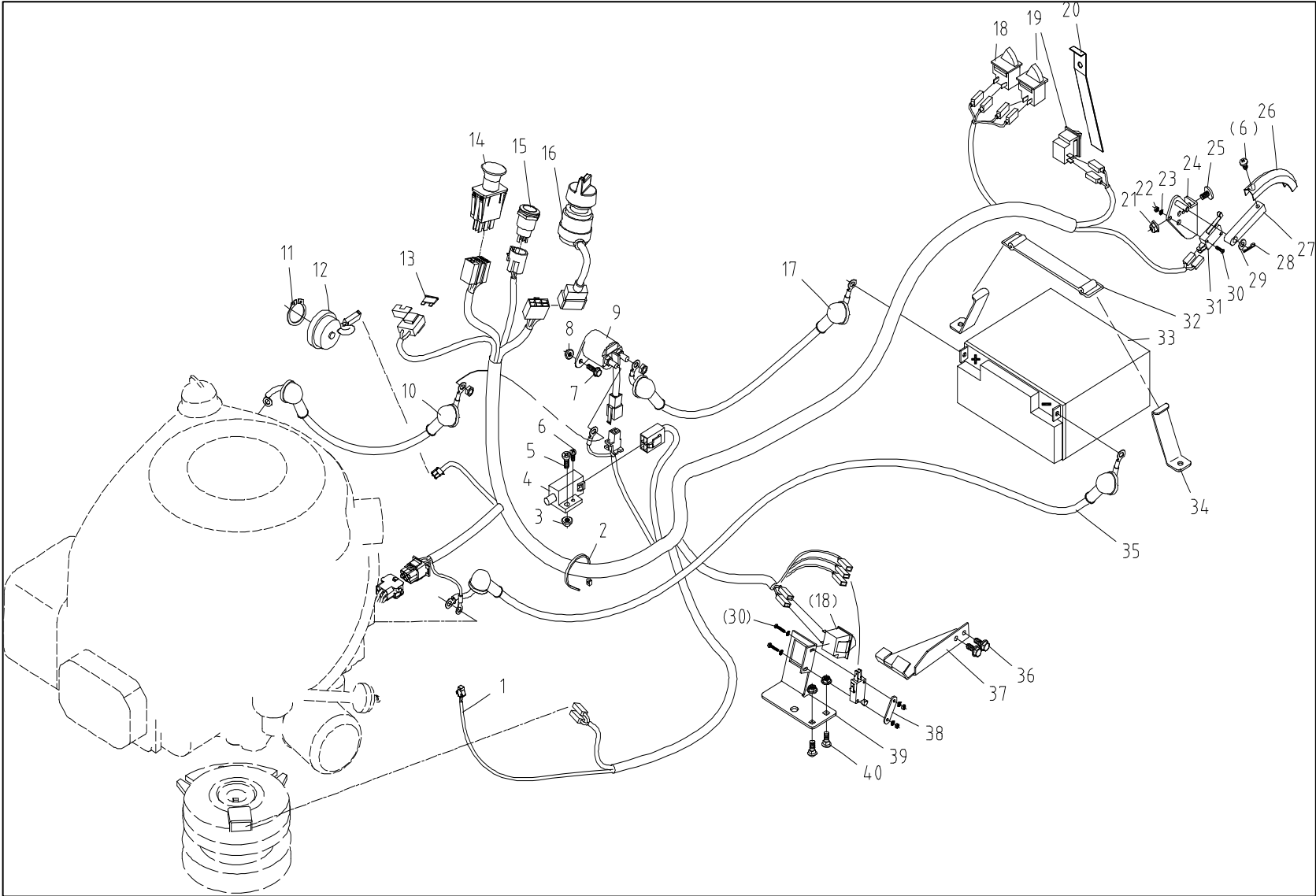
POS	QTY	PARTNUMBER	BESKRIVELSE	DESCRIPTION
1	2	439521	NAVKAPSEL	HUB COVER
2	2	439532	LÅSERING 8	RETAINER RING 15
3	6	439522	SKIVE 20X43X3	WASHER ?20x?43x3
4	2	436584	BAGHJUL	REAR WHEEL ASSEMBLY
5	2	439535	NOT 4.75X7.75X60	FLAT KEY 4.75x 4.75x60
6	1	449511	BOLT M6X16	FLANGE BOLT M10x1.25x25
7	1	449511	BOLT M6X16	FLANGE BOLT M10x1.25x25
8	1	451703	PLADE FOR HYDROSTATISK AKSEL	REAR FIXED PLATE OF HYDRAULIC AXLE (T2 S
9	6	449501	LÅSEMØTRIK M8	FLANGE LOCK NUT M6
10	1	451704	HYDROSTATISK GEAR	TRANSAXLE, HYDRO GEAR
11	1	451705	SPLITBOLT	BOW-TIE COTTER PIN 2(K46)
12	4	449510	FJEDERSPLIT	SPRING PIN
13	1	439544	LÅSEMØTRIK M10	LOCK NUT M10
14	2	449501	LÅSEMØTRIK M8	FLANGE LOCK NUT M6
15	1	451706	KABELHOLDER	
16	2	439472	BOLT M8X20	BOLT M8x20
17	1	451707	BREMSEKABEL	BRAKE CABLE (K46)
18	1	439694	PEDALGUMMI BAK	REVERSE PEDAL
19	1	451708	PEDALARM	FOOT LEVER WELDMENT
20	4	449511	BOLT M6X16	FLANGE BOLT M10x1.25x25
21	1	439478	FJEDERSPLIT	COTTER PIN
22	4	439488	MØTRIK M10X1.25	" FLANGE NUT M10x1.25
23	1	451709	BESLAG FOR TRÆKSTANG	PULL ROD PIN
24	1	439481	LÅSEMØTRIK M10X1.25	LOCK NUT M10x1.25
25	1	451710	TRÆKSTANG	TRAVELING PULL ROD(K46)
26	1	436590	SKIVE M10	WASHER
27	4	451640	BOLT M6X16	TAPPING SCREWM6*16
28	1	451711	FJEDER FOR BREMSE	BRAKE RESET TENSION SPRING
29	3	451712	BESLAG	U-SHAPED CLAMP
30	4	451616	FLANGEBOLT M5X16-18TX3/4	FLANGE BOLT5/16-18TX3/4
31	1	451713	STIFT	BRAKE AXLE PIN
32	1	451714	BREMSEBESLAG	BRAKE PLATE
33	1	436590	SKIVE M10	WASHER
34	1	439440	FJEDERSKIVE 10	SPRING WASHER 10
35	1	439695	PEDAL FREM	FORWARD PEDAL
36	1	451715	BESLAG FOR KABEL	CABLE FIXING PLATE
37	1	451716	FJEDER	PARKING RESET TENSION SPRING?TTM86
38	1	451717	PARKERINGSBREMSE	DRAG LINK,BRAKE PARKING
39	1	451718	BREMSE HÅNDTAG	BRAKE HANDLE
40	1	451719	STIFT U-FORMET	U BOLT
41	1	451720	BREMSE PEDAL	BRAKE FOOT BAR WELDMENT(HYDRAULIC PRESSU
42	1	451721	GUMMI BESLAG TIL BREMSEPEDAL	BRAKE PEDAL



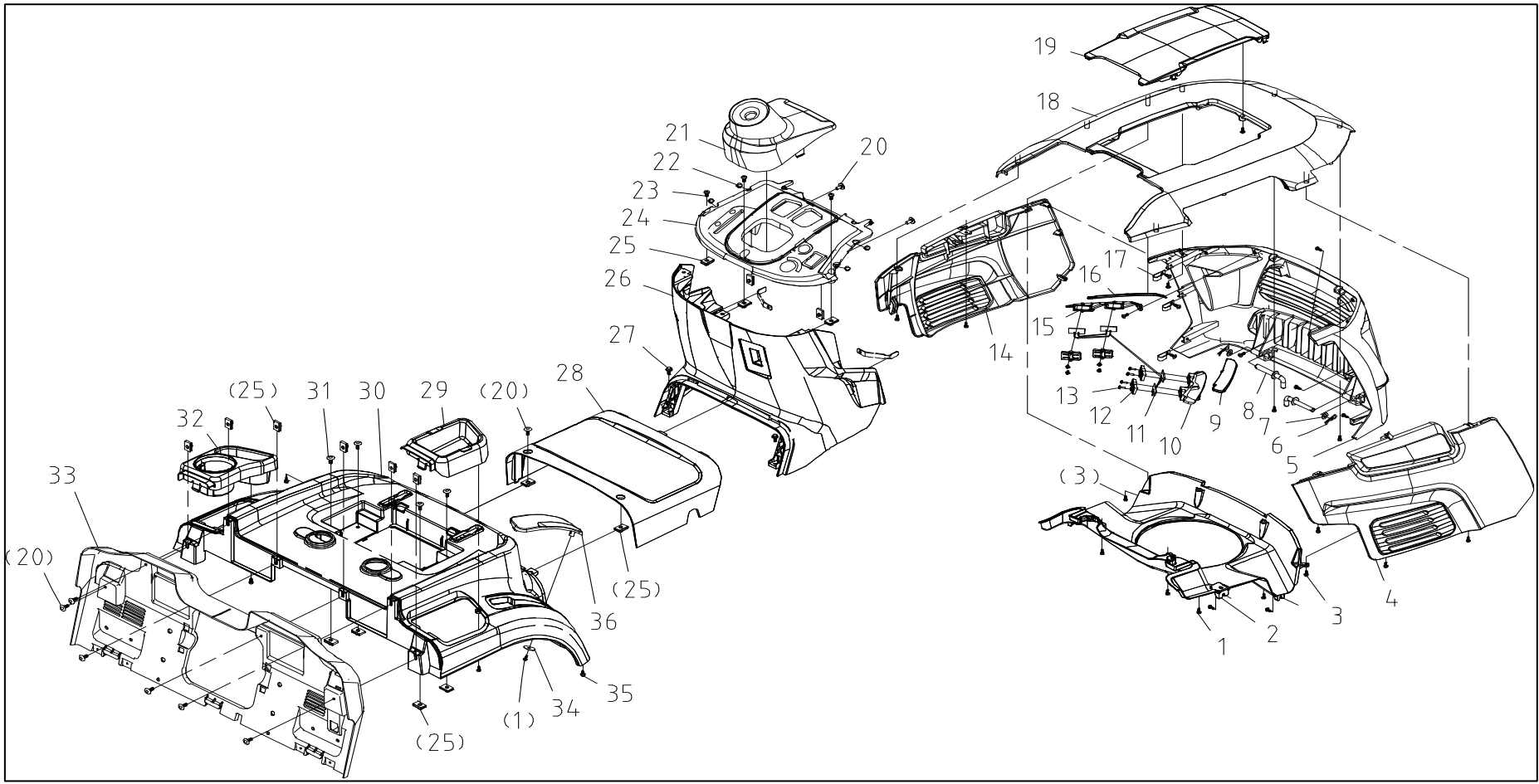
POS	QTY	PARTNUMBER	BESKRIVELSE	DESCRIPTION
1	4	449501	LÅSEMØTRIK M8	FLANGE LOCK NUT M6
2	1	451722	BESLAG FOR SÆDE	SEAT BACK BEAM
3	2	451723	FJEDER FOR SÆDE	SEAT SWITCH RESET SPRING
4	2	451724	PROP	TUBE 14*8.4*55
5	2	439492	SKRUE M6X20	SCREW M6×20
6	1	451725	TRYKPLADE FOR SÆDEKONTAKT	SEAT SWITCH PRESSING PLATE
7	2	451726	NYLON SKIVE	NYLON STEP COVER
8	2	451727	STØDDÆMPER	FOAM DAMPING STRIP WITH RUBBER 40X20X5,B
9	2	449511	BOLT M6X16	FLANGE BOLT M10×1.25×25
10	2	439572	FJEDER	SEAT SPRING
11	2	439465	SKIVE 10	BIG WASHER 6
12	2	439573	PROP	SPRING CAP
13	1	439576	BESLAG	SEAT BRACKET
14	4	439441	BOLT M8X45	FLANGE BOLT M10×1.5×35
15	2	439532	LÅSERING 8	RETAINER RING 15
16	1	439577	STANG	PIN
17	1	439575	SÆDE	SEAT



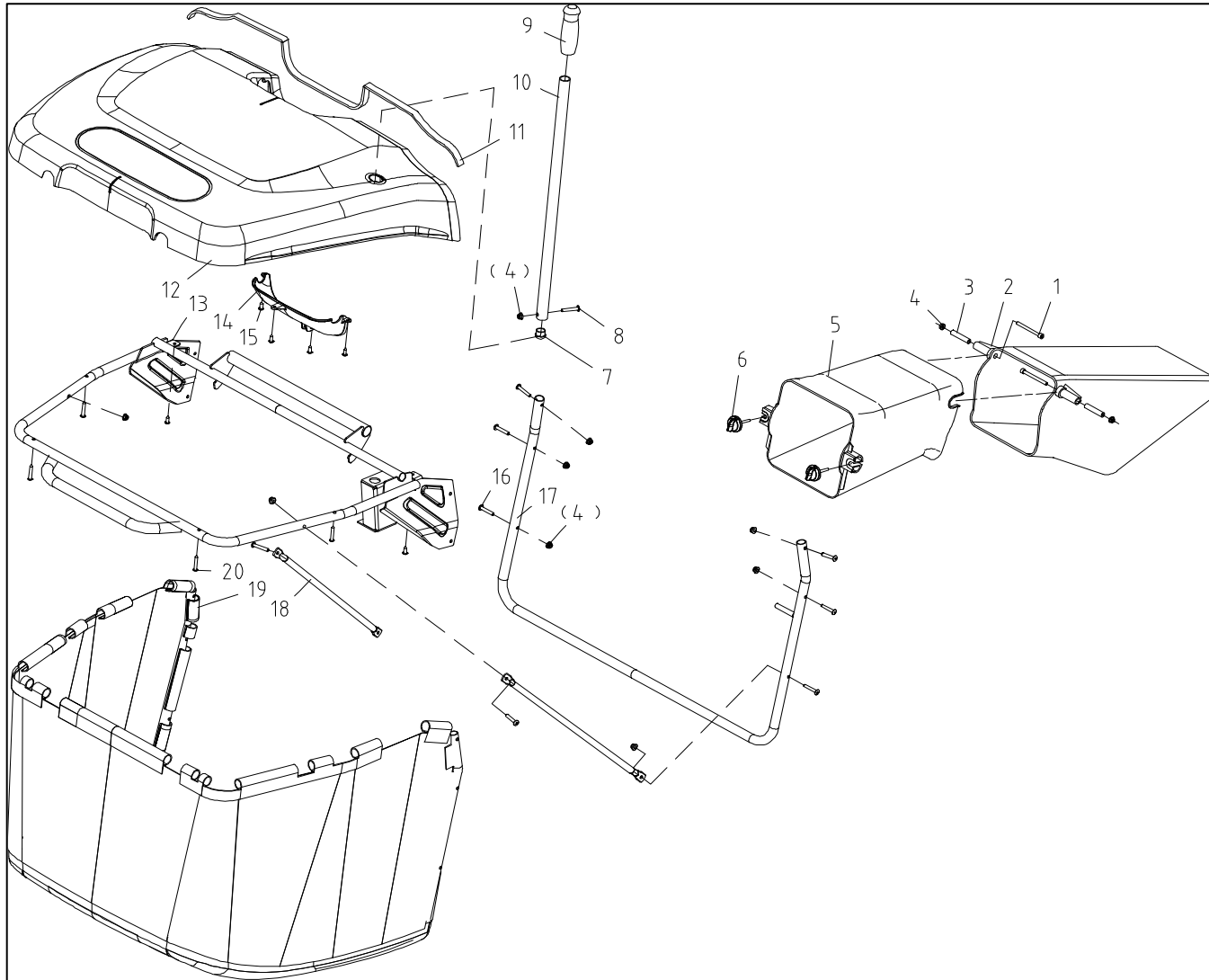
POS	QTY	PARTNUMBER	BESKRIVELSE	DESCRIPTION
1	4	449501	LÅSEMØTRIK M8	FLANGE LOCK NUT M6
2	4	439465	SKIVE 10	BIG WASHER 6
3	2	451728	FRONT BESLAG (STIVER)	FRONT STAY BAR WELDMENT
4	1	451729	STØTTE BESLAG FORREST	FRONT RIGHT DERRICK
5	2	439488	MØTRIK M10X1.25	" FLANGE NUT M10×1.25
6	1	451730	JUSTERINGS BOLT	PIN
7	2	439481	LÅSEMØTRIK M10X1.25	LOCK NUT M10×1.25
8	9	436590	SKIVE M10	WASHER
9	9	439478	FJEDERSPLIT	COTTER PIN
10	1	451731	LØFTESTANG	LIFTING LINK ROD WELDMENT(REAR DISCHARGE)
11	1	451732	BAGARMS BESLAG	REAR ARM WELDMENT (REAR)
12	1	451733	STØTTEBESLAG FORREST	U DERRICK WELDMENT
13	1	451734	BESLAG FOR STØTTE	FRONT ARM WELDMENT
14	10	451616	FLANGEBOLT M5X16-18TX3/4	FLANGE BOLT5/16-18TX3/4
15	4	451712	BESLAG	U-SHAPED CLAMP
16	1	439474	AFSTANDSSTYKKE	FLANGE LOCK NUT M10×1.25
17	1	439591	JUSTERBOLT	ADJUSTING PIN
18	1	451735	LØFTESTANG	LIFTING PULL ROD(REAR DISCHARGE)
19	2	451640	BOLT M6X16	TAPPING SCREWM6*16
20	1	451736	BESLAG	SPRING HANGING PLATE TTM86, ELECTROPLATI
21	1	439503	GREB	HANDLE
22	1	451737	JUSTERINGSBESLAG	RATCHET PLATE
23	1	451738	LØFTEFJEDER	LIFTING HELPING SPRING
24	1	440908	SPLIT	HAIR PIN COTTER 3
25	1	403342	SKIVE 4	WASHER
26	1	440902	FJEDER HØJRE	TORSIONAL SPRING R
27	1	451739	LØFTESTANG	LEVEL WELDMENT
28	1	439532	LÅSERING 8	RETAINER RING 15
29	2	439553	BØSNING	HEXAGON BUSHING
30	1	451740	LØFTEARM	DECK LIFT SHIFT ASSEMBLE
31	1	451741	JUSTERINGSBOLT	PIN JOINT TTM86S, ELECTROPLATED
32	1	451742	ARM VENSTRE	REAR LEFT SUSPENDER TTM86, ELECTROPLATED
33	1	451743	ARM HØJRE	REAR RIGHT SUSPENDER TTM86, ELECTROPLATE
34	1	439594	JUSTERMØTRIK	ADJUSTING PIN



POS	QTY	PARTNUMBER	BESKRIVELSE	DESCRIPTION
1	1	451744	LEDNINGSNET	ELECTRIC CABLE (ELECTRIC START)
2	15	451745	STRIPS	CABLE TIE
3	1	449503	MØTRIK M8	FLANGE NUT M6
4	1	436599	TÆND/SLUK KONTAKT	OPEN CLOSE SWITCH
5	1	449498	SKRUE M4X16	SCREW M4×16
6	2	439626	SKRUE ST4.8X16	SCREW ST4.8×16
7	2	439441	BOLT M8X45	FLANGE BOLT M10×1.5×35
8	2	449501	LÅSEMØTRIK M8	FLANGE LOCK NUT M6
9	1	439660	RELÆ	STAR RELAY
10	1	439661	LEDNING	POWER CABLE
11	1	436587	SEEGERRING Ø24	SNAP RING 19
12	1	451746	KONTAKT	BUZZER
13	1	451747	SIKRING	FUSE BRM148S?20A
14	1	451748	KONTAKT FOR KOBLING	SWITCH,PTO
15	1	451749	KONTAKT	SWITCH
16	1	451750	KONTAKT INKL. NØGLE	ELECTRIC DOOR LOCK
17	1	439672	LEDNING	BATTERY CABLE
18	2	451751	KONTAKT	SWITCH
19	2	451752	KONTAKT	SWITCH
20	1	451753	BESLAG	SPRING PLATE
21	4	449501	LÅSEMØTRIK M8	FLANGE LOCK NUT M6
22	4	449512	MØTRIK M8	NUT M8
23	4	451754	SKIVE	WASHER 3
24	1	451755	PLADE FOR KONTAKT	SWITCH BASE
25	2	439622	SKRUE M6X16	SCREW M6×16
26	1	451756	KROG	HOOK
27	1	440803	KONTAKT ARM	SWITCH LEVER
28	1	439456	SPLIT	SPLIT PIN
29	1	439465	SKIVE 10	BIG WASHER 6
30	4	449498	SKRUE M4X16	SCREW M4×16
31	2	440431	KONTAKT	SWITCH
32	1	449527	BATTERIHOLDER TOP	BELT
33	1	440968	BATTERI 12V/18AH	BATTERY
34	2	451757	BESLAG	HOOK
35	1	451758	KABEL	GROUND CABLE
36	2	451640	BOLT M6X16	TAPPING SCREWM6*16
37	1	451759	PLADE FOR BAKGEARSKONTAKT	SWITCH LEVER
38	1	451760	SKIVE	WASHER
39	1	451761	PLADE FOR BAKGEARSKONTAKT	SWITCH BASE
40	2	439472	BOLT M8X20	BOLT M8×20



POS	QTY	PARTNUMBER	BESKRIVELSE	DESCRIPTION
1	28	439626	SKRUE ST4.8X16	SCREW ST4.8×16
2	1	451762	LUFTINDTAG	AIR DIRECTOR
3	2	439626	SKRUE ST4.8X16	SCREW ST4.8×16
4	1	451763	FRONT SKÆRM HØJRE	RIGHT SIDE COVER
5	1	451764	FRONT COVER	FRONT COVER
6	2	439478	FJEDERSPLIT	COTTER PIN
7	2	436590	SKIVE M10	WASHER
8	2	451765	STANG	PIN
9	1	451766	LYS COVER HØJRE	RIGHT LIGHT COVER
10	1	451767	LYSBASE HØJRE	RIGHT LIGHT BASE TTM86,BRIGHT SILVER PLA
11	1	451768	PÆRE	LIGHT
12	4	451769	LYSBASE COVER HØJRE	LAMP BASE COVER TTM86, BLACK
13	8	439626	SKRUE ST4.8X16	SCREW ST4.8×16
14		451771	FRONT SKÆRM VENSTRE	LEFT SIDE COVER
15	1	451770	LYGTEBASE VENSTRE	LEFT LIGHT BASE
16	1	451772	LYS COVER VENSTRE	LEFT LIGHT COVER
17	5	415950	BESLAG	CORD SPLINT
18	1	451773	MOTOR COVER	ENGINE COVER
19	1	451774	LUFTINDTAG COVER	ENGINE COVER AIR INTAKE
20	10	439622	SKRUE M6X16	SCREW M6×16
21	1	451775	RAT COVER	STEERING WHEEL COVER
22	6	451776	ANTI-VIBRATION GUMMI	HANDLE ANTI-VIBRATION RUBBER
23	3	449498	SKRUE M4X16	SCREW M4×16
24	1	451777	PANEL	PANEL
25	17	439509	MØTRIK M6	BUCKLE NUT M6
26	1	451778	SKJOLD	SHIELD
27	6	451640	BOLT M6X16	TAPPING SCREWM6*16
28	1	451779	VEDLIGEHODELSESDÆKSE L	MAINTENANCE COVER
29	1	451780	OPBEVARINGSKASSE HØJRE	RIGHT STORAGE BOX
30	1	451781	BAGPLADE	REAR SEAT
31	4	439622	SKRUE M6X16	SCREW M6×16
32	1	451782	OPBEVARINGSKASSE VENSTRE	LEFT STORAGE BOX
33	1	451783	BAGKONSOL	REAR COVER TAIL-BOARD
34	1	439454	TANKPAKNING 6X25X1.5	GASKET 6×25×1.5
35	2	451784	SKRUE ST4.8X16	TAPPING SCREW ST4.8X16
36	1	451785	DEKORATIV PLADE	STALL DECORATIVE PLATE



POS	QTY	PARTNUMBER	BESKRIVELSE	DESCRIPTION
1	2	439492	SKRUE M6X20	SCREW M6×20
2	1	451786	GRÆSOPSAMLER FRONT	FRONT GRASS COLLECTOR
3	2	451787	BØS 6*10*48	SPACER 6*10*48
4	11	449501	LÅSEMØTRIK M8	FLANGE LOCK NUT M6
5	1	451788	OPSAMLER BAG	REAR GRASS COLLECTOR
6	2	451789	LÅSEPAL	LOCK KNOB
7	1	451790	PROP	CORE PLUG
8	1	439492	SKRUE M6X20	SCREW M6×20
9	1	440587	GREB	HANDLE
10	1	440588	STANG	LEVER
11	1	451791	AFDÆKNING	SEALING WOOL
12	1	451792	TOPDÆKSEL	COVER
13	1	451793	TOP RAMME	GRASS COLLECTING FRAME FRONT SUPPORT WEL
14	1	451794	PLADE	HANDLE DECPRATIVE PLATE
15	6	451784	SKRUE ST4.8X16	TAPPING SCREW ST4.8X16
16	8	451795	BOLT M6X35	HEXAGON BOLT M6X35
17	1	451796	RAMME UNDERDEL	GRASS COLLECTING FRAME STATE SUPPORT WEL
18	2	451797	SIDESTAGSRØR	SIDE STAY PIPE
19	1	451798	GRÆSFANGER BUND+NET	GRASS CATCHER(BOTTOM +CATCHER)
20	4	451784	SKRUE ST4.8X16	TAPPING SCREW ST4.8X16