

REPAIR

1997

PARTS

MANUAL

Model G3554080

12HP/40" Deck

HOW TO ORDER REPAIR PARTS

Only use a factory repair part. Repair parts, except for the engine or the transmission, are available from the store where the unit was purchased, a service shop recommended by the store, or an authorized service shop found in the yellow pages of the telephone directory.

If you cannot get a repair part or service as described above, call or write to the Central Parts Distributor shown on the back page of this manual or write: **Customer Service Department, Outdoor Power Equipment, PO Box 8000, Jackson, TN 38308, 1-800-247-7464.** Collect telephone calls will not be accepted. When you order, include the following information: 1- Complete Model Number (see nameplate), 2- Date of Manufacture, 3- Complete Part Number, 4- Description, and 5- Quantity.

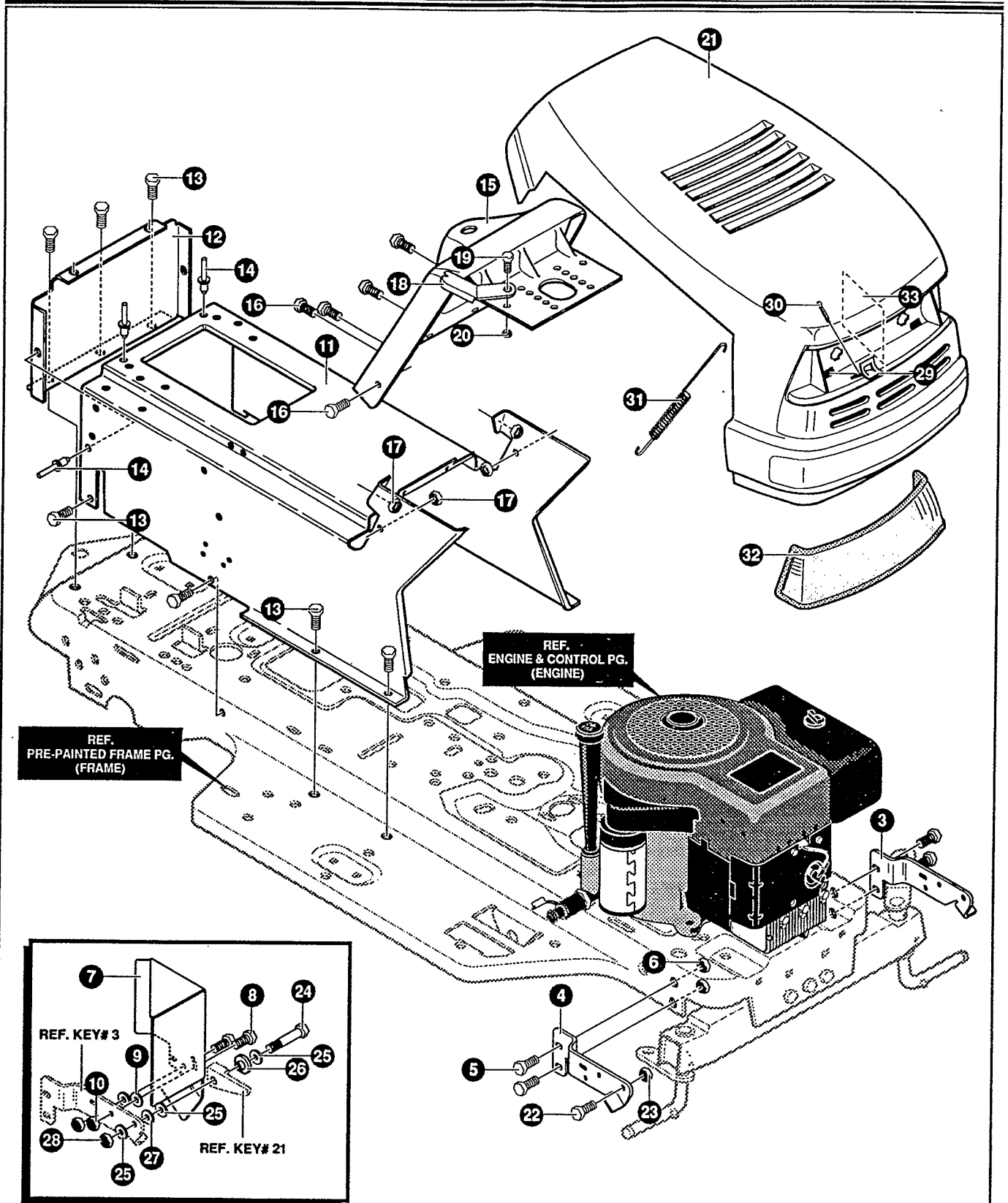
Repair parts for the engine or the transmission are available from the manufacturer's authorized service center found in the yellow pages of the telephone directory. See the individual engine or transmission warranties.

- Read and keep this parts list book for future reference.
- This parts list book contains drawings and part numbers necessary to obtain repair parts.
- Record the following information about your unit. This information is necessary when ordering parts or in case of loss or theft.

WHERE PURCHASED: _____

DATE PURCHASED: Month _____ Day _____ Year _____

MODEL NO.: _____ DATE OF MANUFACTURE: _____



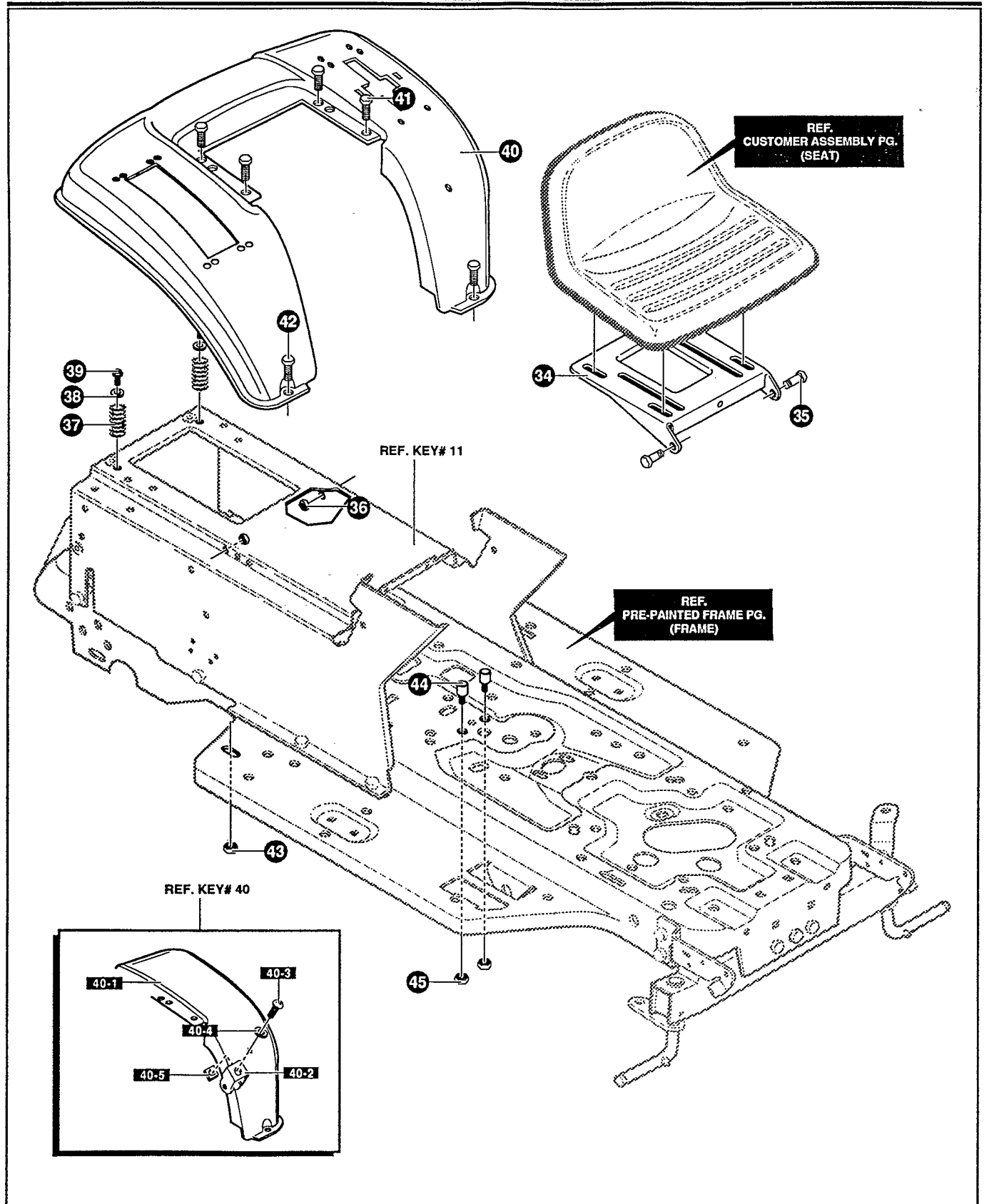
NOTE: ALWAYS USE ORIGINAL EQUIPMENT PARTS. Use of service/replacement parts other than original equipment parts may void your warranty.

ALL UNNUMBERED ITEMS ARE INTERCHANGEABLE WITH OPPOSITE SIDE

G3554080

FRONT CHASSIS & HOOD ASSEMBLY

KEY#	PART#	DESCRIPTION	QTY
3	313001-853	BRACKET, GRILLE SUPPORT, LH.....	1
4	313002-853	BRACKET, GRILLE SUPPORT, RH.....	1
5	328154	SCREW, 5/16-18 X 1.0.....	4
6	55273	NUT, 5/16-18.....	4
7	312908-853	SHIELD, HEAT.....	1
8	180020	SCREW, 1/4-20 X .75.....	2
9	311245	WASHER, FLAT.250 X .75 X INSULAT.....	2
10	51335	NUT, 1/4-20.....	2
11	324748-860	CONSOLE.....	1
12	56235-860	CONSOLE, REAR COVER.....	1
13	995346	SCREW, 1/4-20 X .50.....	11
14	46763	RIVET, POP.....	4
15	320466-860	DASH.....	1
16	44811	SCREW, 1/4-20 X .75.....	6
17	50352	NUT, 1/4-20.....	4
18	313021-853	GUIDE, HOOD.....	2
19	180020	SCREW, 1/4-20 X .75.....	2
20	51335	NUT, 1/4-20.....	2
21	12506	HOOD.....	1
22	56676	BOLT, .375 X .580.....	1
23	1498	NUT, 5/16-18.....	1
24	180042	SCREW, 1/4-20 X 1.75.....	1
25	120392	WASHER, FLAT .281 X .63 X .065.....	3
26	309532	BEARING, FLANGED.....	1
27	311245	WASHER, FLAT.250 X .75 X INSULATE.....	1
28	1502	NUT, 1/4-20.....	1
29	310801	ANCHOR, HOOD LANYARD.....	1
30	121222	PIN, COTTER.....	1
31	304784	SPRING, HOOD LATCH.....	1
32	302670	LENS, HEADLAMP.....	1
33	301452	FOIL, HEAT REFLECTOR.....	1
	339749	OPERATOR'S MANUAL.....	1



NOTE: ALWAYS USE ORIGINAL EQUIPMENT PARTS. Use of service/replacement parts other than original equipment parts may void your warranty.

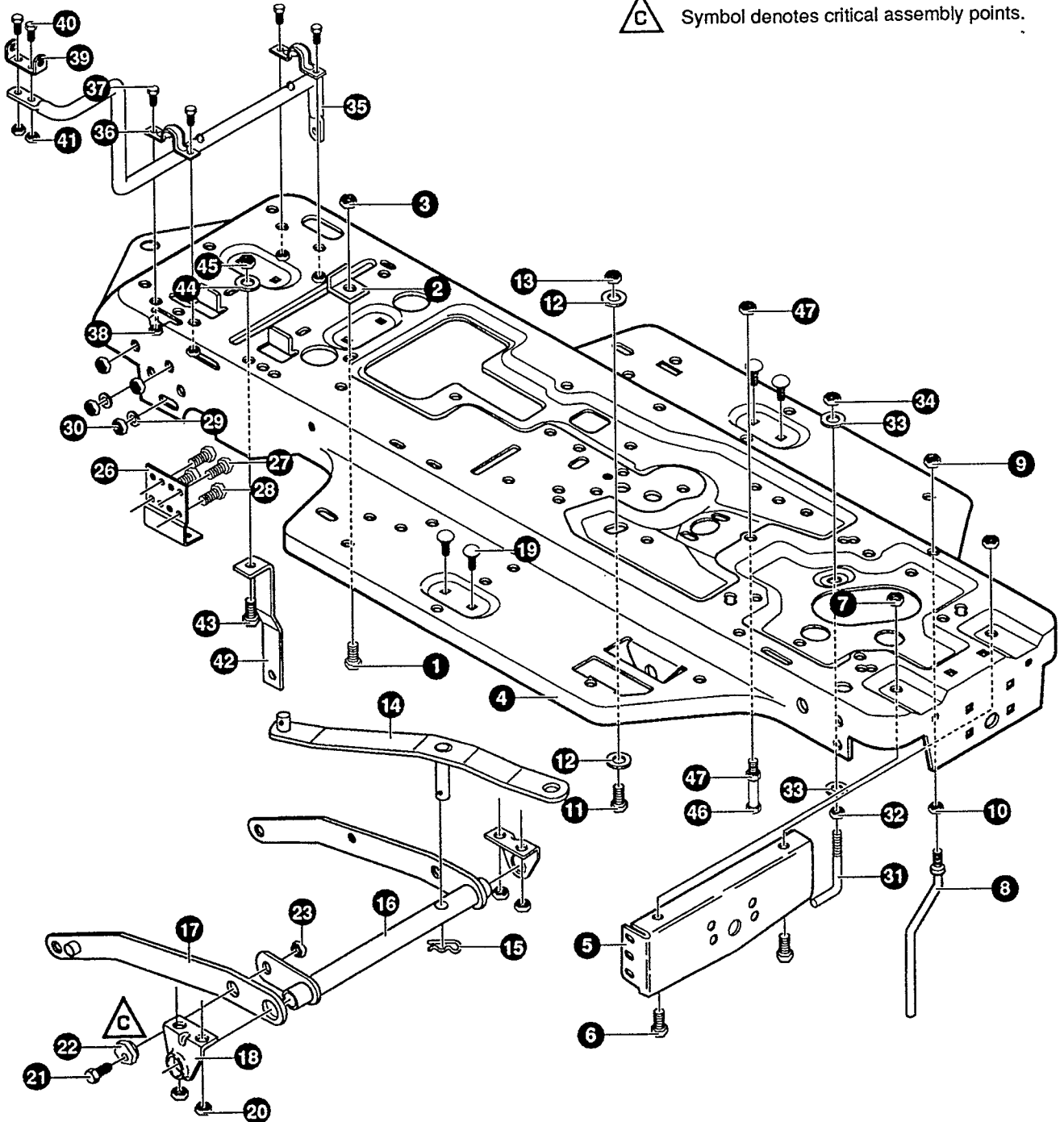
ALL UNNUMBERED ITEMS ARE INTERCHANGEABLE WITH OPPOSITE SIDE

KEY#	PART#	DESCRIPTION	QTY
34	331535-853	PLATE, SEAT	1
35	20507	BOLT, .437 X .156	2
36	1498	NUT, 5/16-18	2
37	330463	SPRING, SEAT	2
38	120392	WASHER, FLAT .281 X .63 X .065	2
39	995346	SCREW, 1/4-20 X .50	2
40	*	ASSEMBLY, FENDER	1
40-1	321156-860	FENDER F-5	1
40-2	9239	CLEVIS	1
40-3	439455	SCREW, 5/16-18 X .56	1
40-4	301551	WASHER, .344ID X 1.50D X .09	1
40-5	120373	NUT, 5/16-18 SQ	1
41	995346	SCREW, 1/4-20 X .50	4
42	126358	BOLT, 5/16-18 X 1.00	2
43	55273	NUT, 5/16-18	2
44	53446	PIN, 5/16-18 HOOD LATCH	2
45	271184	NUT, 5/16-18	2

* ORDER INDIVIDUAL PARTS - ASSEMBLY NOT AVAILABLE



Symbol denotes critical assembly points.



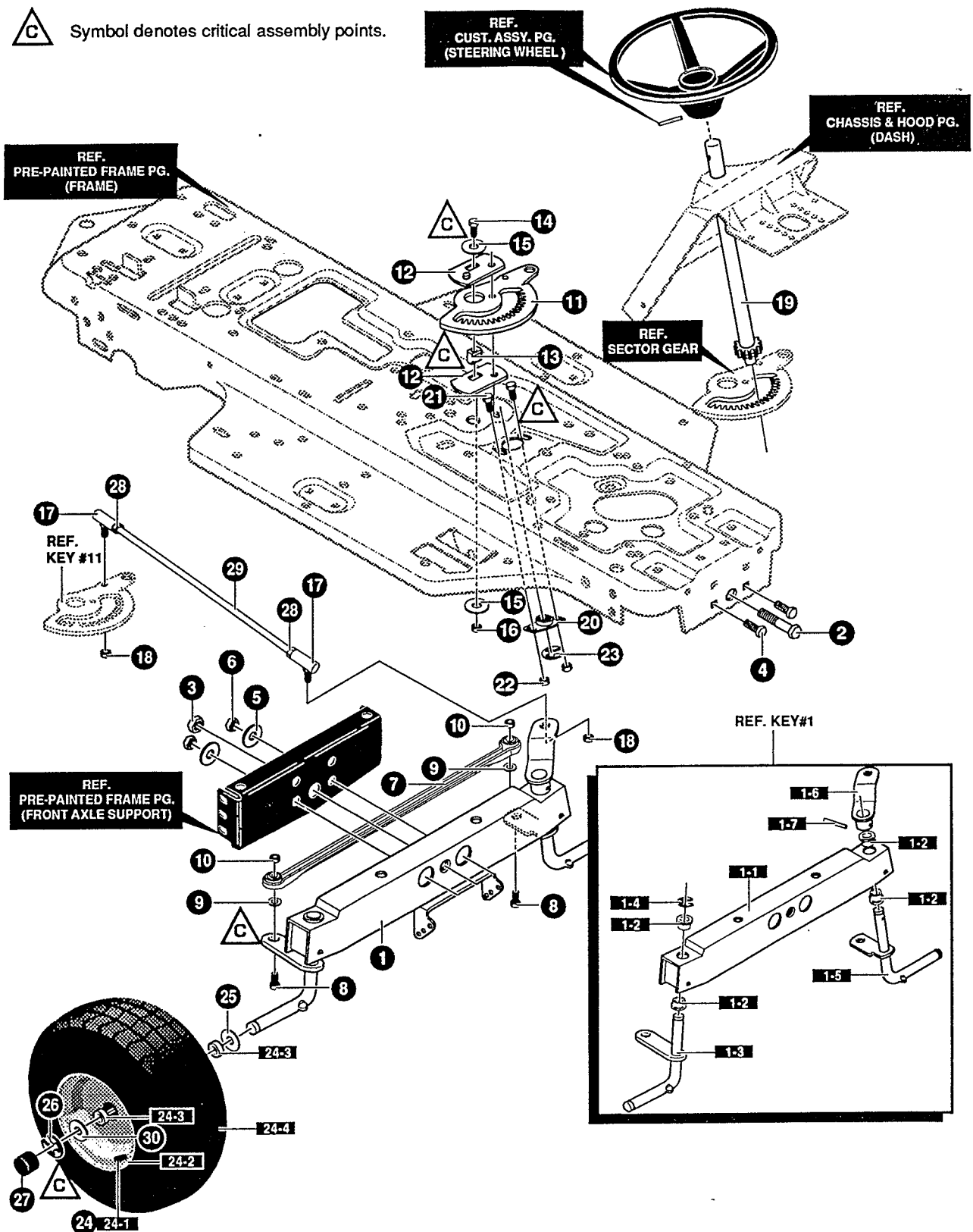
NOTE: ALWAYS USE ORIGINAL EQUIPMENT PARTS. Use of service/replacement parts other than original equipment parts may void your warranty.

ALL UNNUMBERED ITEMS ARE INTERCHANGEABLE WITH OPPOSITE SIDE

337768 B

KEY#	PART#	DESCRIPTION	QTY
1	187745	SCREW, 1/4-20 X .75	1
2	9149	CABLE RETAINING BRACKET	1
3	1502	NUT, 1/4-20	1
4	331173-860	FRAME, MAIN	1
5	56362	BRACKET,SUPPORT, FRONT AXLE	1
6	328154	SCREW, 5/16-18 X 1.0	2
7	55273	NUT, 5/16-18	2
8	50653	GUIDE, BELT	1
9	41529	NUT, 3/8-16	1
10	271190	NUT, 3/8-16	1
11	180124	SCREW, 3/8-16 X 1.25	1
12	120394	WASHER, FLAT .406 X .81 X .065	2
13	45171	NUT, 3/8-16	1
14	325587	STRAP ASSEMBLY, PTO	1
15	8260	PIN, HAIR	1
16	326114	LIFT ASSEMBLY, LH	1
17	325130	LIFT ASSEMBLY, RH	1
18	325495	BRACKET, REAR HANG	2
19	330967	BOLT, 5/16-18 X 1.00	4
20	1498	NUT, 5/16-18	4
21	180079	SCREW, 5/16-18 X 1.00	1
22	58247	NUT, ADJUST	1
23	1498	NUT, 5/16-18	1
26	326615	BRACKET,TRANSAXLE	2
27	180077	SCREW, 5/16-18 X .75	4
28	327917	SCREW, 5/16-18 X 1.50	4
29	73787	WASHER, FLAT .330 X .75 X .1793	4
30	1498	NUT, 5/16-18	8
31	49896	BELT GUIDE	1
32	271184	NUT, 5/16-18	1
33	120393	WASHER, FLAT .344 X .69 X .065	2
34	1498	NUT, 5/16-18	1
35	319113	LEVER, SHIFT LOWER	1
36	302760	CLAMP	2
37	180077	SCREW, 5/16-18 X .75	4
38	1498	NUT, 5/16-18	4
39	310356	BRACKET, PIVOT SHIFT LEVER	1
40	180020	SCREW, 1/4-20 X .75	2
41	1502	NUT, 1/4-20	2
42	309770	BRACKET, STABILIZER	1
43	35498	SCREW, 5/16-18 X .75	1
44	120638	WASHER, .328 X .60 X .09	1
45	1498	NUT, 5/16-18	1
46	49930	SCREW, 3/8-16 X 7.50	1
47	1499	NUT, 3/8-16	2

C Symbol denotes critical assembly points.



NOTE: ALWAYS USE ORIGINAL EQUIPMENT PARTS. Use of service/replacement parts other than original equipment parts may void your warranty.

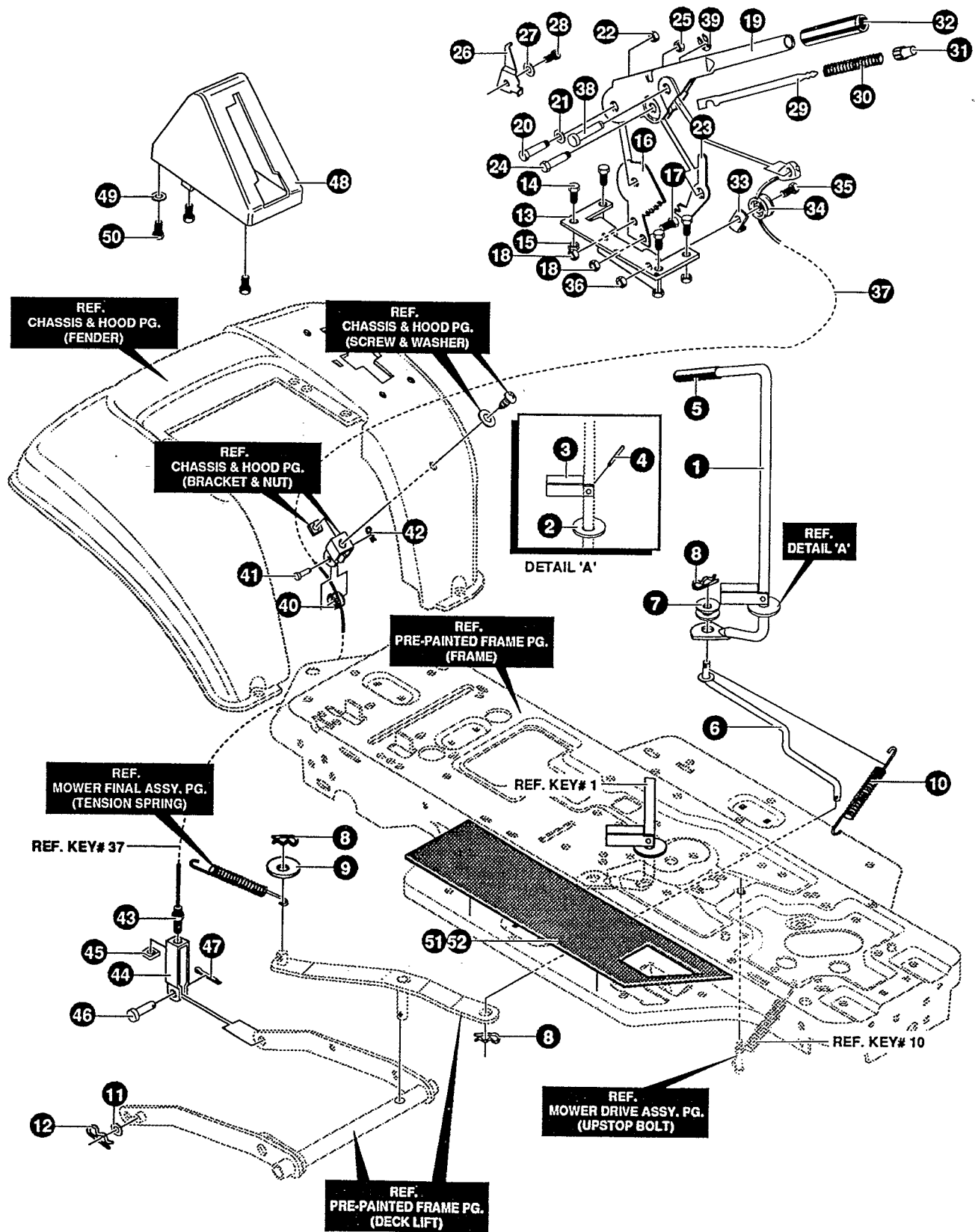
ALL UNNUMBERED ITEMS ARE INTERCHANGEABLE WITH OPPOSITE SIDE

G3554080

FRONT STEERING ASSEMBLY

KEY#	PART#	DESCRIPTION	QTY
1	*	AXLE FRONT ASSEMBLY	1
1-1	324915	ASSEMBLY FRONT AXLE	1
1-2	50546	BEARING, FLANGE	4
1-3	310368	SPINDLE ASSEMBLY, RH	1
1-4	36625	RING, RETEX	1
1-5	310367	SPINDLE ASSEMBLY, LH	1
1-6	327619	ARM ASSEMBLY, FRONT STEERING	1
1-7	454565	PIN, SPRING	1
2	29616	BOLT, .625 X 1.890	1
3	274654	NUT, 1/2-20	1
4	180138	SCREW, 3/8-16 X 3.00	2
5	2483	WASHER, .39ID X 1.25D X .07	2
6	1499	NUT, 3/8-16	2
7	302688	TIE ROD	1
8	180124	SCREW, 3/8-16 X 1.25	2
9	120382	WASHER, .393 X .68 X .10	2
10	1499	NUT, 3/8-16	2
11	327399	GEAR, SECTOR	1
12	333289	PLATE, SECTOR	2
13	330021	BUSHING, SECTOR GEAR	1
14	181643	SCREW, 3/8-24 X 1.50	1
15	845	WASHER, FLAT .390 X 1.25 X .119	2
16	412349	NUT, 3/8-24	1
17	57158	BALL JOINT 3/8 THD	2
18	412349	NUT, 3/8-24	2
19	327834	SHAFT, PIN-STEER	1
20	325692	BEARING, FLANGE	1
21	326505	SCREW, 1/4-20 X .75	2
22	46931	NUT, 1/4-20	2
23	20864	RING, RET E	1
24	692287	TIRE & RIM ASSEMBLY, 15 X 6-6	2
24-1	338512	VALVE STEM	
24-2	338517	RIM, WHEEL	
24-3	338513	BEARING	
24-4	338516	TIRE, 15 X 6-6	
25	642	WASHER, FLAT .755 X 1.31 X .075	2
26	36625	RING, RETEX	2
27	40394	HUB CAP	2
28	124925	NUT, 3/8-24	2
29	56190	DRAG LINK	1
30	42815	WASHER, FLAT .755 X 1.53 X .07	2

* ORDER INDIVIDUAL PARTS - ASSEMBLY NOT AVAILABLE

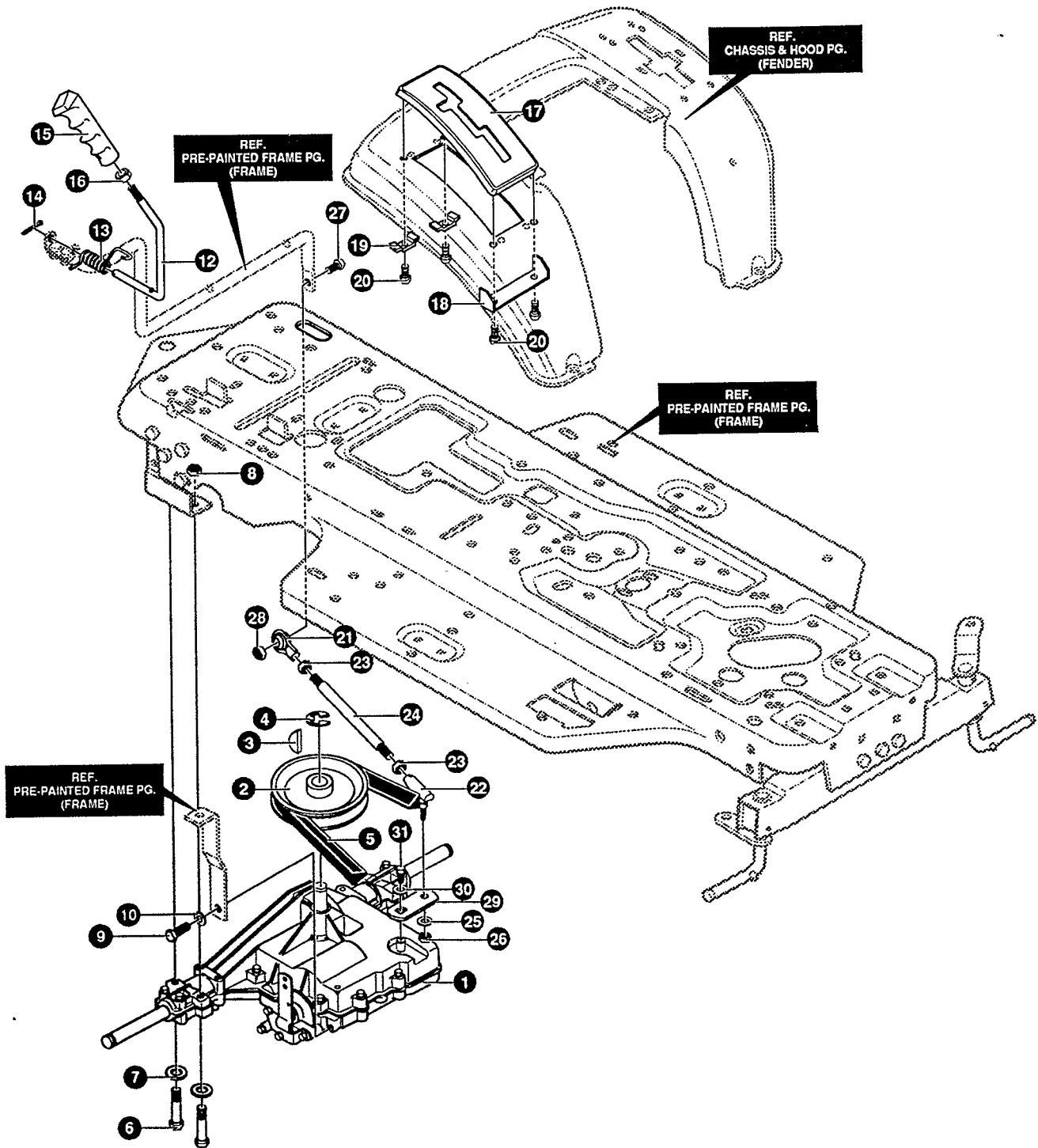


NOTE: ALWAYS USE ORIGINAL EQUIPMENT PARTS. Use of service/replacement parts other than original equipment parts may void your warranty.

ALL UNNUMBERED ITEMS ARE INTERCHANGEABLE WITH OPPOSITE SIDE

G3554080**MOWER SUSPENSION ASSEMBLY**

KEY#	PART#	DESCRIPTION	QTY
1	325591	LEVER, CLUTCH, RH, PTO	1
2	22265	WASHER, FLAT .515 X 1.38 X .119	1
3	305225	STOP, PTO ENGAGE	1
4	326386	PIN, SPRING	1
5	331624	KNOB, ROUND 1.50DIA	1
6	325590	ROD, BELCRANK LINK	1
7	274517	WASHER, FLAT .406 X .73 X .063	2
8	8260	PIN, HAIR	3
9	25210	WASHER, FLAT .386 X 1.25 X .09	1
10	325802	SPRING, TENSION	1
11	417098	WASHER, FLAT .531 X 1.06 X .063	2
12	8260	PIN, HAIR	2
13	313926	BRACKET, HEIGHT ADJUST	1
14	180077	SCREW, 5/16-18 X .75	4
15	1498	NUT, 5/16-18	4
16	301238	QUADRANT, HEIGHT ADJUST	1
17	180077	SCREW, 5/16-18 X .75	2
18	1498	NUT, 5/16-18	2
19	322292-853	HANDLE, LIFT SHORT	1
20	300171	BOLT, .500 X .270	1
21	996418	WASHER, FLAT .506 X .75 X .024	1
22	44108	NUT, 5/16-18	1
23	301239	PAWL, SQUARE	1
24	300171	BOLT, .500 X .270	1
25	44108	NUT, 5/16-18	1
26	9435	POINTER, HEIGHT ADJUST	1
27	138479	WASHER, .195 X .41 X .03	1
28	35287	SCREW, #8-32 X .38	1
29	303027	ROD, ACTUATOR-SHORT	1
30	58326	SPRING, HEIGHT ADJUST	1
31	58325	KNOB, HEIGHT ADJUST	1
32	58329	GRIP, W/ HOLE	1
33	9149	BRACKET, CABLE RETAINER	1
34	48306	PULLEY, METAL	1
35	58336	BOLT, .375 X .375	1
36	1502	NUT, 1/4-20	1
37	57511	LIFT CABLE 20.75	1
38	300310	PIN, CLEVIS	1
39	300311	RING, RET E	1
40	48306	PULLEY, METAL	1
41	300317	PIN, CLEVIS	1
42	8260	PIN, HAIR	1
43	120375	NUT, 1/4-20	1
44	9405	CLEVIS, LIFT CABLE	1
45	120372	NUT, 1/4-20	1
46	39522	PIN, CLEVIS	1
47	121222	PIN, COTTER	1
48	333903	LIFT COVER	1
49	120392	WASHER, FLAT .281 X .63 X .065	1
50	300340	SCREW, #10 X .75	3
51	331834	FOOT PAD, RH, GRIT	1
52	331835	FOOT PAD, LH, GRIT	1



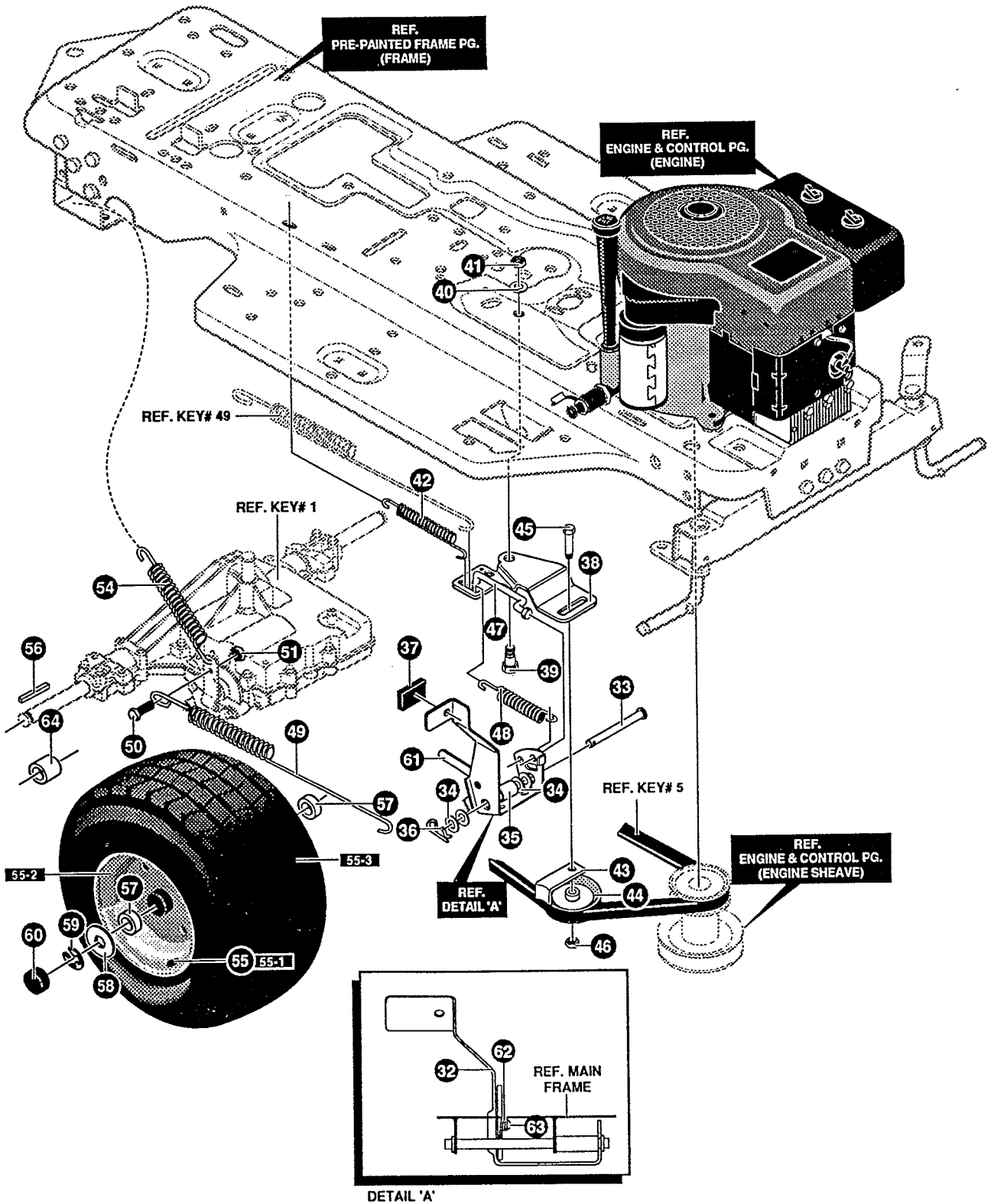
NOTE: ALWAYS USE ORIGINAL EQUIPMENT PARTS. Use of service/replacement parts other than original equipment parts may void your warranty.

ALL UNNUMBERED ITEMS ARE INTERCHANGEABLE WITH OPPOSITE SIDE

338369 C

KEY#	PART#	DESCRIPTION	QTY
1	*	TRANSAXLE, 2WS	1
2	303109	PULLEY, 6.6 OD	1
3	50795	KEY, HI-PRO	1
4	22053	RING, RETEX	1
5	338017	BELT, V 4L 85.00	1
6	180091	SCREW, 5/16-18 X 2.50	4
7	120393	WASHER, FLAT .344 X .69 X .065	4
8	1498	NUT, 5/16-18	4
9	35498	SCREW, 5/16-18 X .75	1
10	120638	WASHER, .328 X .60 X .09	1
12	309635	LEVER, SHIFT UPPER	1
13	310265	SPRING, TORSION	1
14	137185	PIN, COTTER	1
15	321837	KNOB	1
16		NOT REQUIRED ON THIS UNIT	
17	311209	COVER, PLASTIC	1
18	311257-853	BRACKET COVER	1
19	1341	CLAMP, SPRING	2
20	311331	SCREW, 1/4-15 X .44/.53	4
21	304260	BALL JOINT, RH 3/8-24	1
22	57158	BALL JOINT 3/8 THD	1
23	124925	NUT, 3/8-24	2
24	329056	SHIFT ROD	1
25	120382	WASHER, .393 X .68 X .10	1
26	120369	NUT, 3/8-24	1
27	39573	SCREW, 3/8-24 X 1.00	1
28	412349	NUT, 3/8-24	1
29	309637	BRACKET, SHIFT 5SP	1
30	57157	WASHER, .750 X .250	1
31	56255	SCREW, 1/4-28 X .75	1

* CONTACT YOUR NEAREST TRANSAXLE DEALER FOR PARTS & SERVICE



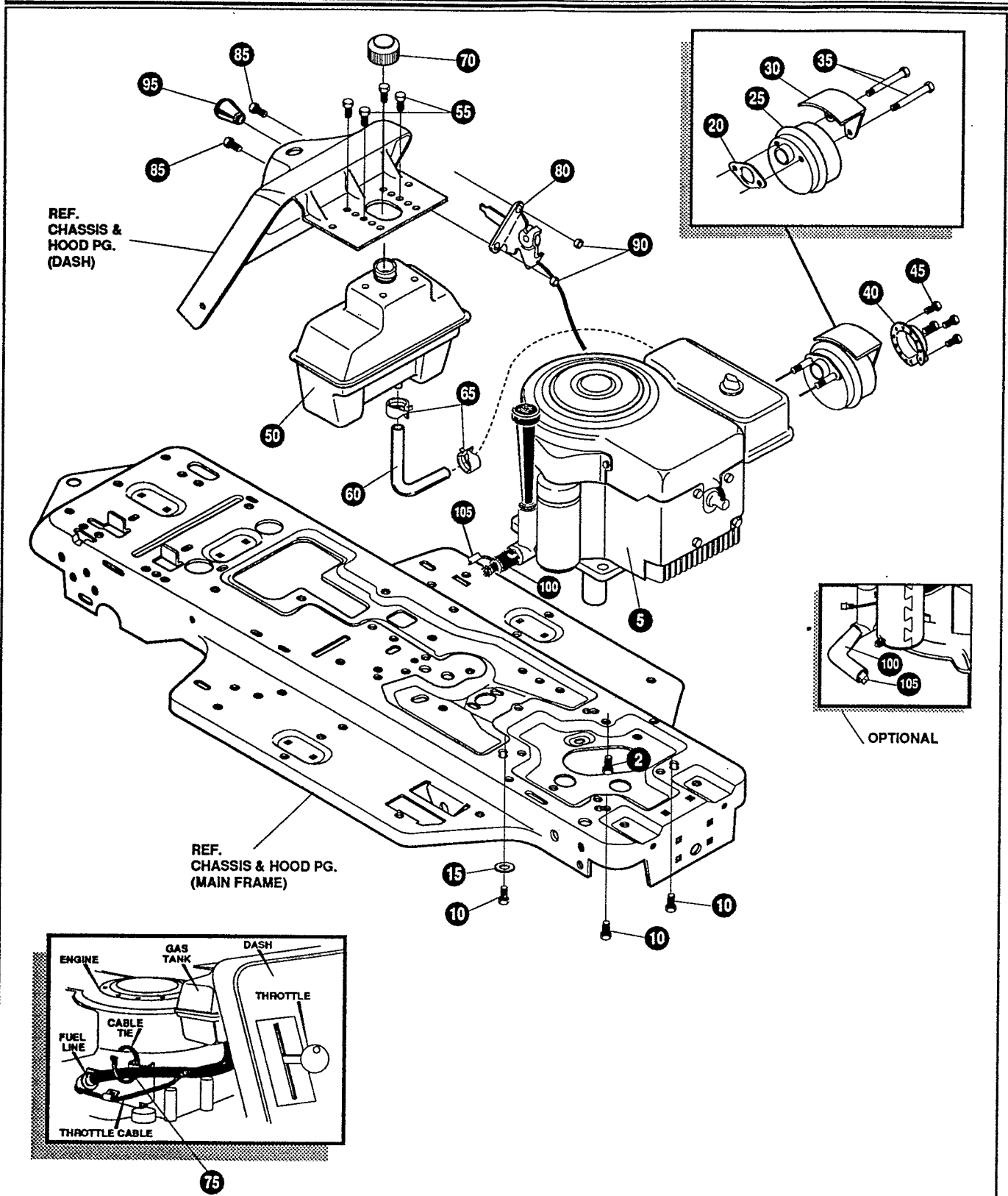
NOTE: ALWAYS USE ORIGINAL EQUIPMENT PARTS. Use of service/replacement parts other than original equipment parts may void your warranty.

ALL UNNUMBERED ITEMS ARE INTERCHANGEABLE WITH OPPOSITE SIDE

KEY#	PART#	DESCRIPTION	QTY
32	331438-853	PEDAL, BRAKE, CLUTCH	1
33	319676	PIN, CLEVIS	1
34	2968	WASHER, FLAT .504 X .75 X .059	4
35	331972	SPACER, SLEEVE	1
36	56180	PIN, HAIR	1
37	48761	PAD, CLUTCH/BRAKE PEDAL	1
38	321969	IDLER ARM BRACKET TRACTION	1
39	329989	BOLT, .625 X .135	1
40	45602	WASHER, FLAT .333 X .87 X .119	1
41	1498	NUT, 5/16-18	1
42	327867	SPRING, TENSION	1
43	39659	RETAINER, BELT	1
44	35374	PULLEY, IDLER	1
45	45892	BOLT, 3/8-16 X 1.50	1
46	1499	NUT, 3/8-16	1
47	333175	CLUTCH ROD ASSEMBLY	1
48	326780	SPRING, TENSION	1
49	334175	SPRING, BRAKE	1
50	326131	BOLT, .495 X .31	1
51	1498	NUT, 5/16-18	1
54	35410	SPRING	1
55	692288	TIRE & RIM ASSEMBLY, 18 X 8.50-8	2
55-1	338512	VALVE STEM	
55-2	338524	RIM, WHEEL	
55-3	338549	TIRE, 18 X 8.5-8	
56	52928	KEY, SQUARE	2
57	642	WASHER, FLAT .755 X 1.31 X .075	4
58	42815	WASHER, FLAT .755 X 1.53 X .07	2
59	36625	RING, RETEX	2
60	40394	HUB CAP	2
61	9016	LEVER, PARK BRAKE	1
62	57828	SPRING, PARKING BRAKE	1
63	57829	RIVET	1
64	338184	SPACER	2

G3554080

REPAIR PARTS



NOTE: ALWAYS USE ORIGINAL EQUIPMENT PARTS. Use of service/replacement parts other than original equipment parts may void your warranty.

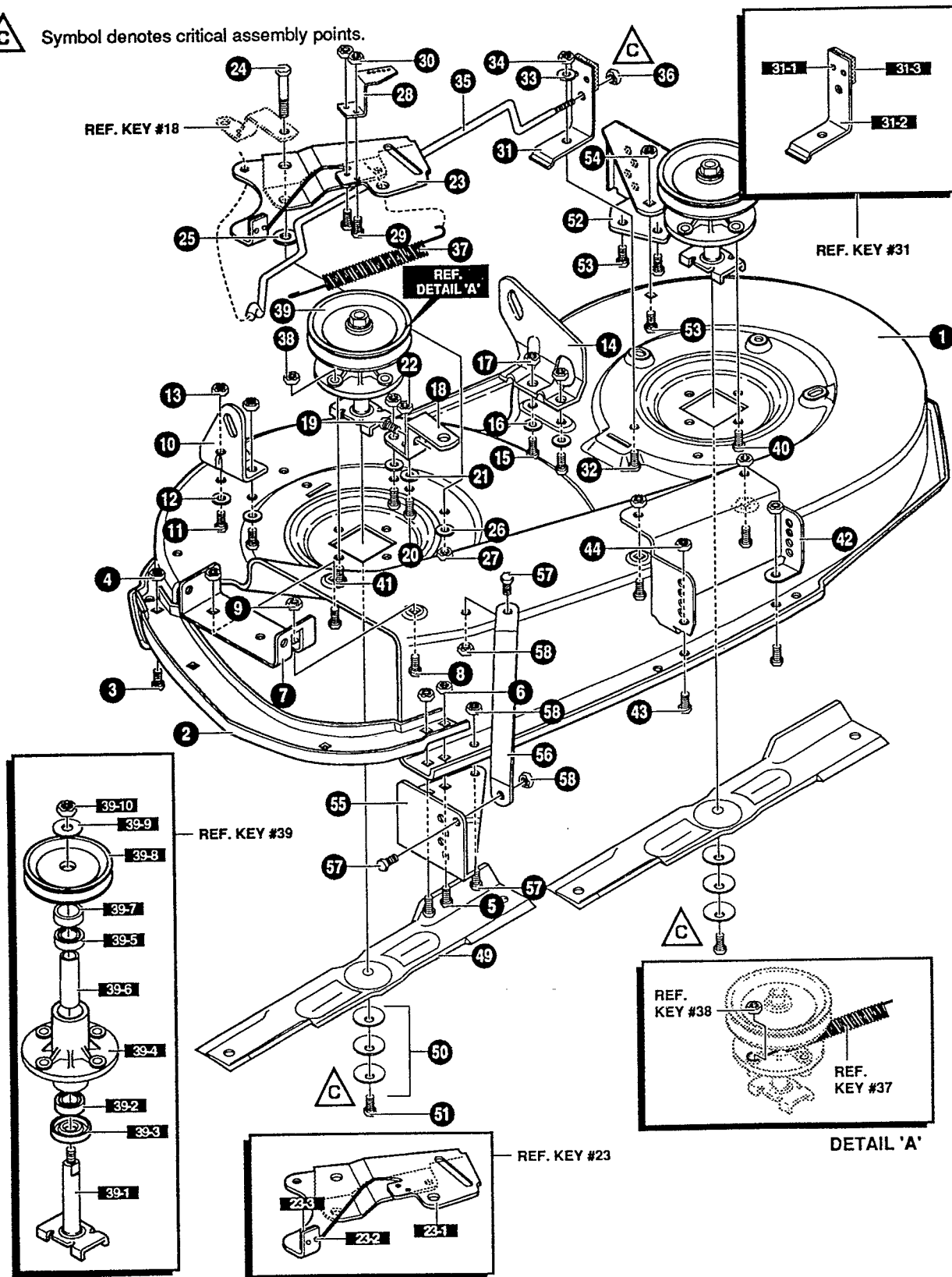
ALL UNNUMBERED ITEMS ARE INTERCHANGEABLE WITH OPPOSITE SIDE

331639 B

KEY#	PART#	DESCRIPTION	QTY
5	*	ENGINE, B&S.....	1
10	50947	SCREW, 3/8-16 X 1.25.....	4
15	138489	WASHER, .384 X .69 X .04.....	1
20	46708	GASKET, MUFFLER.....	1
25	57908	MUFFLER.....	1
30	54767	SHIELD, HEAT.....	1
35	54980	SCREW, 5/16-18 X 3.50.....	2
40	56472	DEFLECTOR SIDE OUT.....	1
45	35287	SCREW, #8-32 X .38.....	4
50	314989	TANK, FUEL 1 GALLON.....	1
55	300303	SCREW, .25 X .75 X .51.....	4
60	42258	TUBING, GAS LINE.....	12.0
65	47345	CLAMP, HOSE SCREW TYPE.....	2
70	46704	CAP, GAS.....	1
75	57444	TIE, CABLE.....	1
80	320031	THROTTLE CONTROL.....	1
85	274707	SCREW, 10-24 X .50.....	2
90	308459	NUT, #10-24.....	2
95	50607	KNOB, ROUND THROTTLE.....	1
100	325547	OIL DRAIN VALVE.....	1
105	327422	CAP OR PLUG.....	1

* SEE ENGINE MANUAL

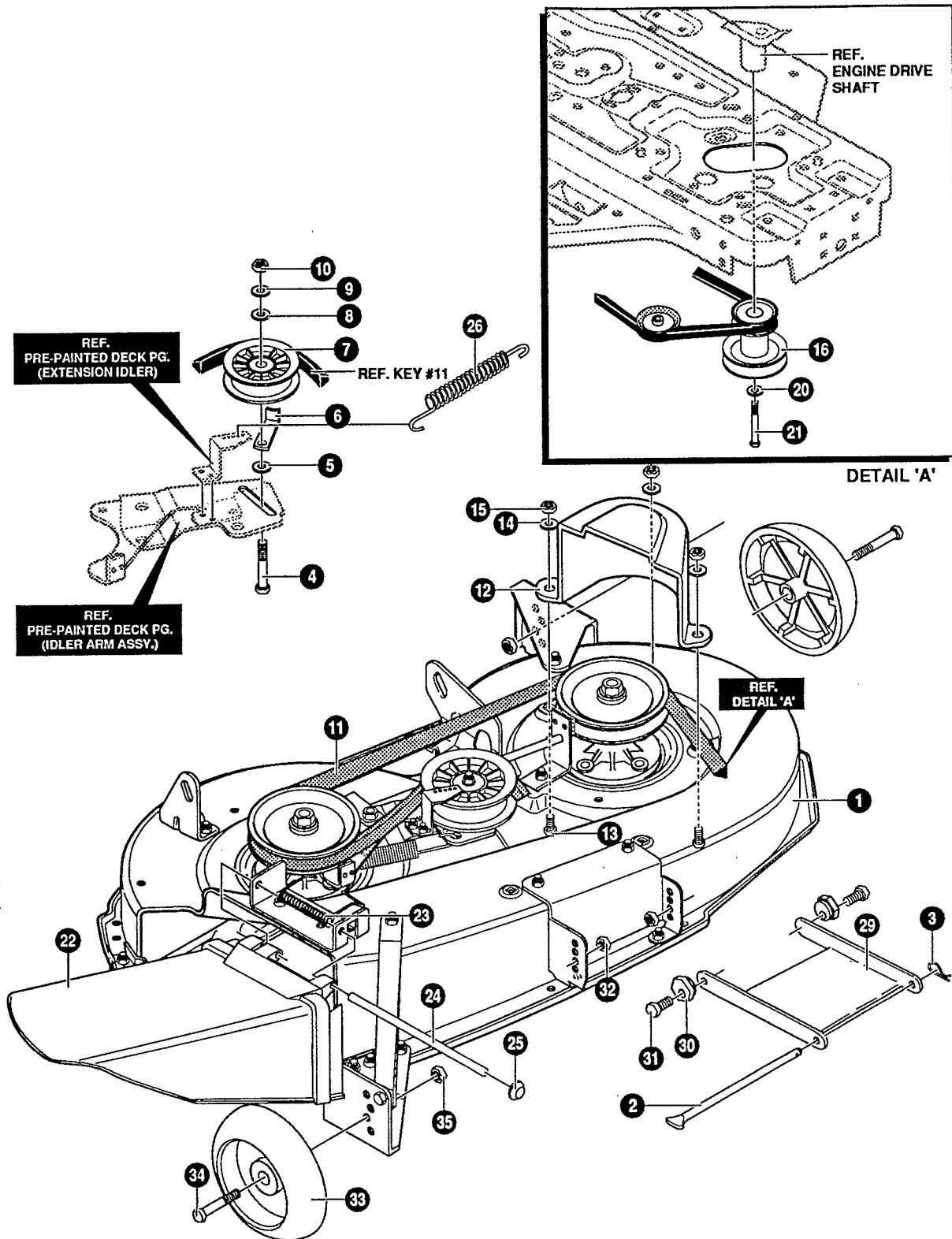
C Symbol denotes critical assembly points.



NOTE: ALWAYS USE ORIGINAL EQUIPMENT PARTS. Use of service/replacement parts other than original equipment parts may void your warranty.

ALL UNNUMBERED ITEMS ARE INTERCHANGEABLE WITH OPPOSITE SIDE

KEY#	PART#	DESCRIPTION	QTY
1	325103	40" DECK KIT	1
2	326480	TOE GUARD - MULCHER	1
3	180077	SCREW, 5/16-18 X .75	1
4	1498	NUT, 5/16-18	1
5	180077	SCREW, 5/16-18 X .75	2
6	1498	NUT, 5/16-18	2
7	317017	BRACKET, CHUTE MOUNT	1
8	180077	SCREW, 5/16-18 X .75	2
9	1498	NUT, 5/16-18	2
10	313929	BRACKET, RH LIFT REAR	1
11	180077	SCREW, 5/16-18 X .75	2
12	120393	WASHER, FLAT .344 X .69 X .065	2
13	1498	NUT, 5/16-18	2
14	310667	BRACKET, LH LIFT REAR	1
15	180077	SCREW, 5/16-18 X .75	2
16	120393	WASHER, FLAT .344 X .69 X .065	2
17	1498	NUT, 5/16-18	2
18	326893	BRACE, IDLER SUPPORT	1
19	308231	SCREW, 1/4-20 X 1.25	1
20	180077	SCREW, 5/16-18 X .75	2
21	120393	WASHER, FLAT .344 X .69 X .065	2
22	336171	NUT, 5/16-18	2
23	322120	IDLER ARM ASSEMBLY	1
23-1	322116	ARM, IDLER	1
23-2	41601	RIVET	2
23-3	306973	BRAKE PAD	1
24	304420	BOLT, .500 X 2.15	1
25	996307	WASHER, FLAT .391 X 1.00 X .209	1
26	996416	WASHER, FLAT .391 X 1.00 X .125	2
27	45171	NUT, 3/8-16	1
28	326249	BRACKET, EXTENSION IDLER	1
29	180077	SCREW, 5/16-18 X .75	2
30	1498	NUT, 5/16-18	2
31	321828	BLADE BRAKE ASSEMBLY	1
31-1	135624	RIVET	2
31-2	304119	BRAKE ARM	1
31-3	306973	BRAKE PAD	1
32	180077	SCREW, 5/16-18 X .75	1
33	120393	WASHER, FLAT .344 X .69 X .065	1
34	1498	NUT, 5/16-18	1
35	302714	ROD, BRAKE	1
36	1502	NUT, 1/4-20	1
37	35410	SPRING	1
38	1498	NUT, 5/16-18	1
39	337734	QUILL ASSEMBLY	2
39-1	56425	SHAFT/SADDLE	1
39-2	49562	BEARING, BALL	1
39-3	50616	DUST SHIELD	1
39-4	55547	QUILL CASTING	1
39-5	49562	BEARING, BALL	1
39-6	50818	SPACER, SLEEVE	1
39-7	331067	SPACER, QUILL	1
39-8	333132	PULLEY, QUILL V5L	1
39-9	56365	WASHER, SPECIAL QUILL	1
39-10	1282	NUT, 7/16-20	1
40	35498	SCREW, 5/16-18 X .75	7
41	300345	SCREW, 5/16-18 X 1.38	1
42	318445	BRACKET, FRONT DECK	1
43	180077	SCREW, 5/16-18 X .75	4
44	1498	NUT, 5/16-18	4
49	313316	BLADE, 40" STD-LIFT 20.32	2
50	2483	WASHER, .39ID X 1.25D X .07	6
51	39573	SCREW, 3/8-24 X 1.00	2
52	317041	BRACKET, GAGE WHEEL, LH	1
53	180077	SCREW, 5/16-18 X .75	3
54	1498	NUT, 5/16-18	3
55	322464	BRACKET, GAGE WHEEL RH, FRONT	1
56	314282	BRACKET,S TABILIZER	1
57	180077	SCREW, 5/16-18 X .75	3
58	1498	NUT, 5/16-18	3



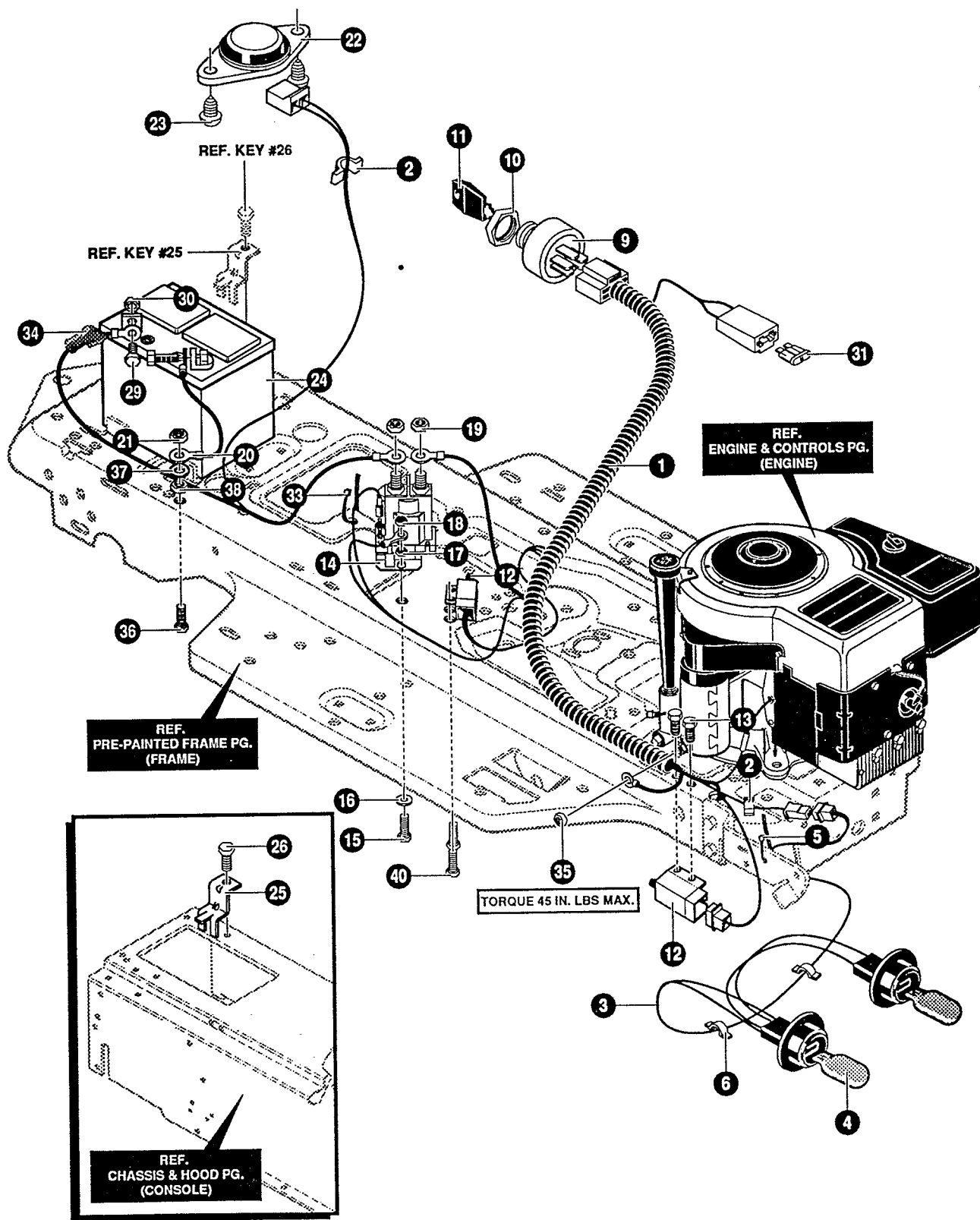
NOTE: ALWAYS USE ORIGINAL EQUIPMENT PARTS. Use of service/replacement parts other than original equipment parts may void your warranty.

ALL UNNUMBERED ITEMS ARE INTERCHANGEABLE WITH OPPOSITE SIDE

339141 B

KEY#	PART#	DESCRIPTION	QTY
1	*	40" DECK	1
2	58306	ROD, DECK HITCH	1
3	8260	PIN, HAIR	1
4	57325	BOLT, 3/8-16 X 2.00	1
5	25210	WASHER, FLAT .386 X 1.25 X .09	1
6	1346	RETAINER, BELT	1
7	310326	PULLEY, IDLER	1
8	996307	WASHER, FLAT .391 X 1.00 X .209	1
9	120382	WASHER, .393 X .68 X .10	1
10	120377	NUT, 3/8-16	1
11	319005	BELT, V 5L 81.00	1
12	328257	GUARD, BELT LH	1
13	180077	SCREW, 5/16-18 X .75	3
14	120393	WASHER, FLAT .344 X .69 X .065	3
15	1498	NUT, 5/16-18	3
16	328034	PULLEY, ENGINE	1
20	120383	WASHER, .459 X .78 X .12	1
21	433146	SCREW, 7/16-20 X 4.25	1
22	304422	CHUTE DEFLECTOR	1
23	314975	SPRING, TORSION CHUTE DEFLECTOR	1
24	304424	ROD, PIVOT DECK	1
25	3535	NUT, PUSH ON CAP	1
26	337738	SPRING, TENSION	1
29	58305-860	BRACKET, LINK DECK FRONT	1
30	58247	NUT, ADJUST	2
31	180079	SCREW, 5/16-18 X 1.00	2
32	1498	NUT, 5/16-18	2
33	302611	GAUGE WHEEL	2
34	23763	BOLT, .500 X 1.390	2
35	1499	NUT, 3/8-16	2

* REFERENCE ONLY

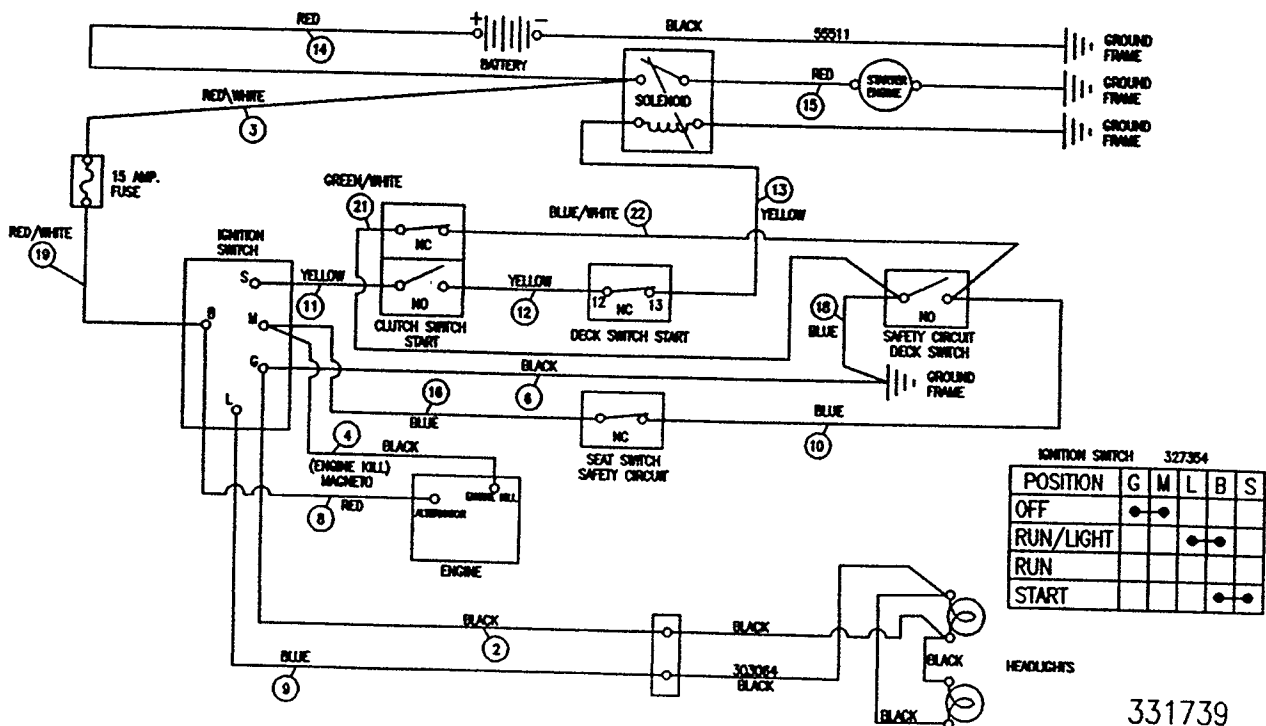


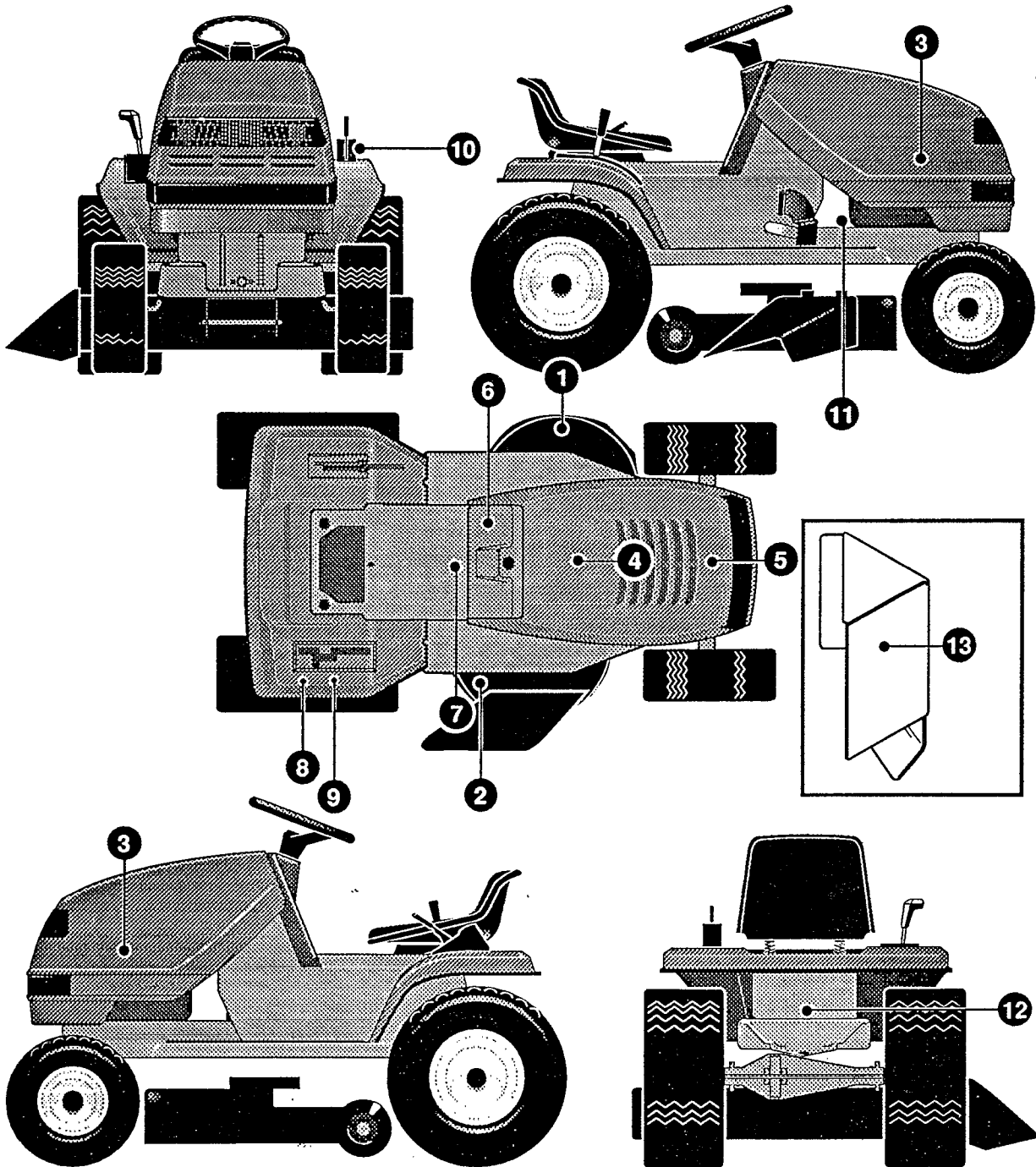
NOTE: ALWAYS USE ORIGINAL EQUIPMENT PARTS. Use of service/replacement parts other than original equipment parts may void your warranty.

ALL UNNUMBERED ITEMS ARE INTERCHANGEABLE WITH OPPOSITE SIDE

KEY#	PART#	DESCRIPTION	QTY
1	331739	WIRE HARNESS	1
2	41482	PRESS CLIP	2
3	303064	ASSEMBLY, LIGHT WIRE	1
4	52572	BULB, HEADLAMP	2
5	57444	TIE, CABLE	1
6	41482	PRESS CLIP	2
9	327354	SWITCH, IGNITION & LIGHTS	1
10	327352	NUT, 5/8-8	1
11	327350	KEY, IGNITION	1
12	57476	SWITCH, SCREW MOUNT	2
13	300302	SCREW, #10 X .50	2
14	53716	SOLENOID	1
15	187745	SCREW, 1/4-20 X .75	2
16	1084	WASHER, FLAT .281 X 1.00 X .063	1
17	1502	NUT, 1/4-20	2
18	271172	NUT, 1/4-20	1
19	271187	NUT, 5/16-24	2
20	55511	WIRE, GROUND, 12.5"	1
21	271184	NUT, 5/16-18	1
22	57547	SWITCH, SEAT	1
23	160505	SCREW, 1/4-20 X .38	2
24	302257	BATTERY, 12V	1
25	329175	BATTERY BRACKET	1
26	995346	SCREW, 1/4-20 X .50	1
29	180020	SCREW, 1/4-20 X .75	2
30	271172	NUT, 1/4-20	2
31	302031	FUSE SPADE TYPE 32V 15A	2
33	57444	TIE, CABLE	1
34	308201	INSULATOR, BATTERY BOOT	1
35	124818	NUT, 1/4-20	1
36	180079	SCREW, 5/16-18 X 1.00	1
37	138485	WASHER, .320 X .61 X .03	1
38	1498	NUT, 5/16-18	1
40	57220	SCREW, #12 X .50	2

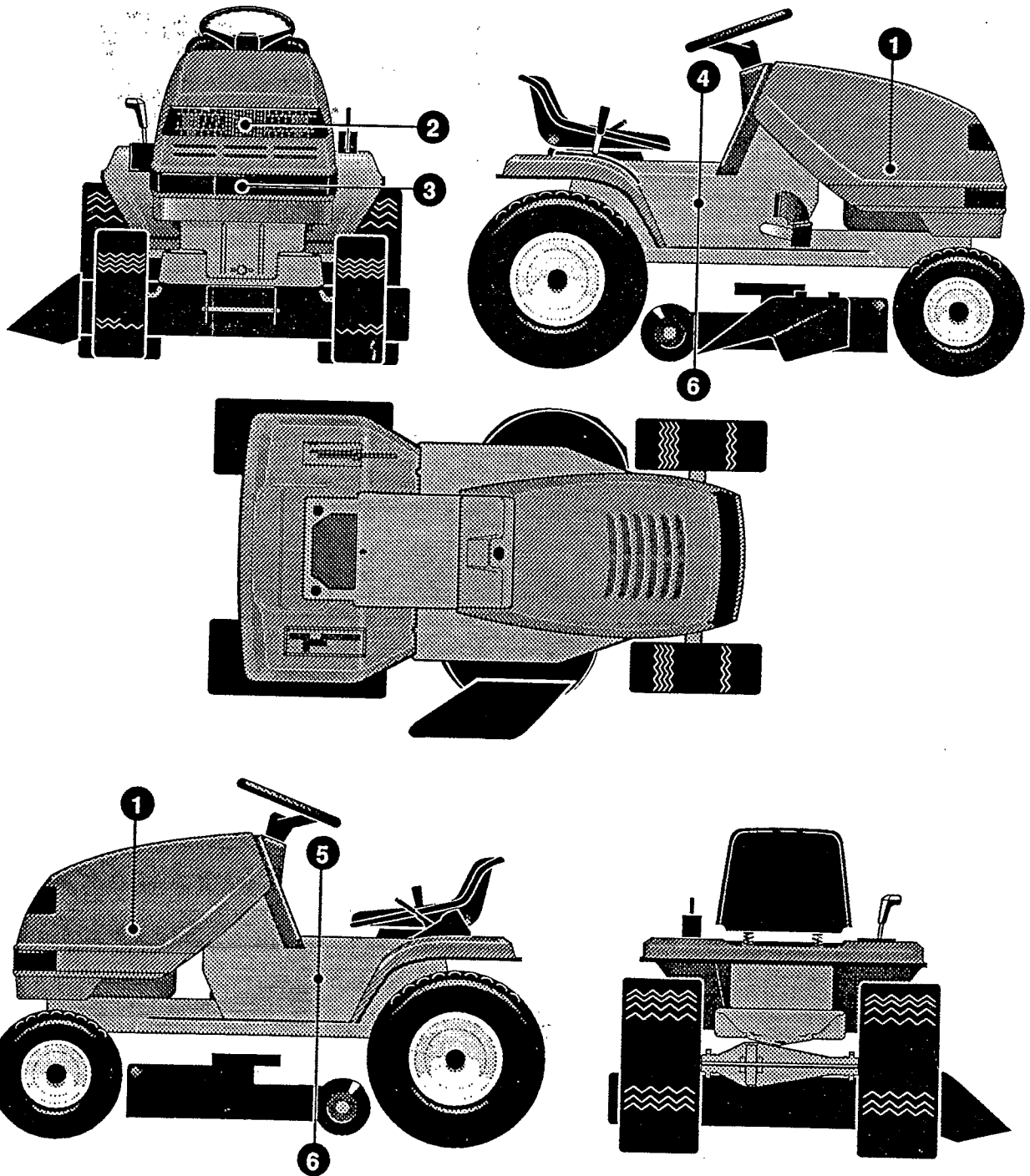
SCHEMATIC DRAWING





KEY#	PART#	DESCRIPTION	QTY
1	402700	DECAL, CAUTION DECK, LH.....	1
2	402701	DECAL, CAUTION DECK, RH, CUT HAND	1
3	305603	PAD, 18 X 6 FOAM HOOD	2
4	307276	PAD, 15 X 7 FOAM HOOD	1
5	307277	PAD, 12 X 4 FOAM HOOD	1
6	326587	DECAL DASH	1
7	338540	DECAL, CONS CAUTION	1
8	311394	DECAL, SHIFT REV/NEUTRAL.....	1
9	331013	DECAL, SHIFTER POSITION	1
10	402214	DECAL, HEIGHT ADJUST	1
11	402702	DECAL, BRAKE/CLUTCH	1
12	338542	DECAL, DRAWBAR WARNING.....	1
13	338543	DECAL, HOT SURFACE WARNING	1

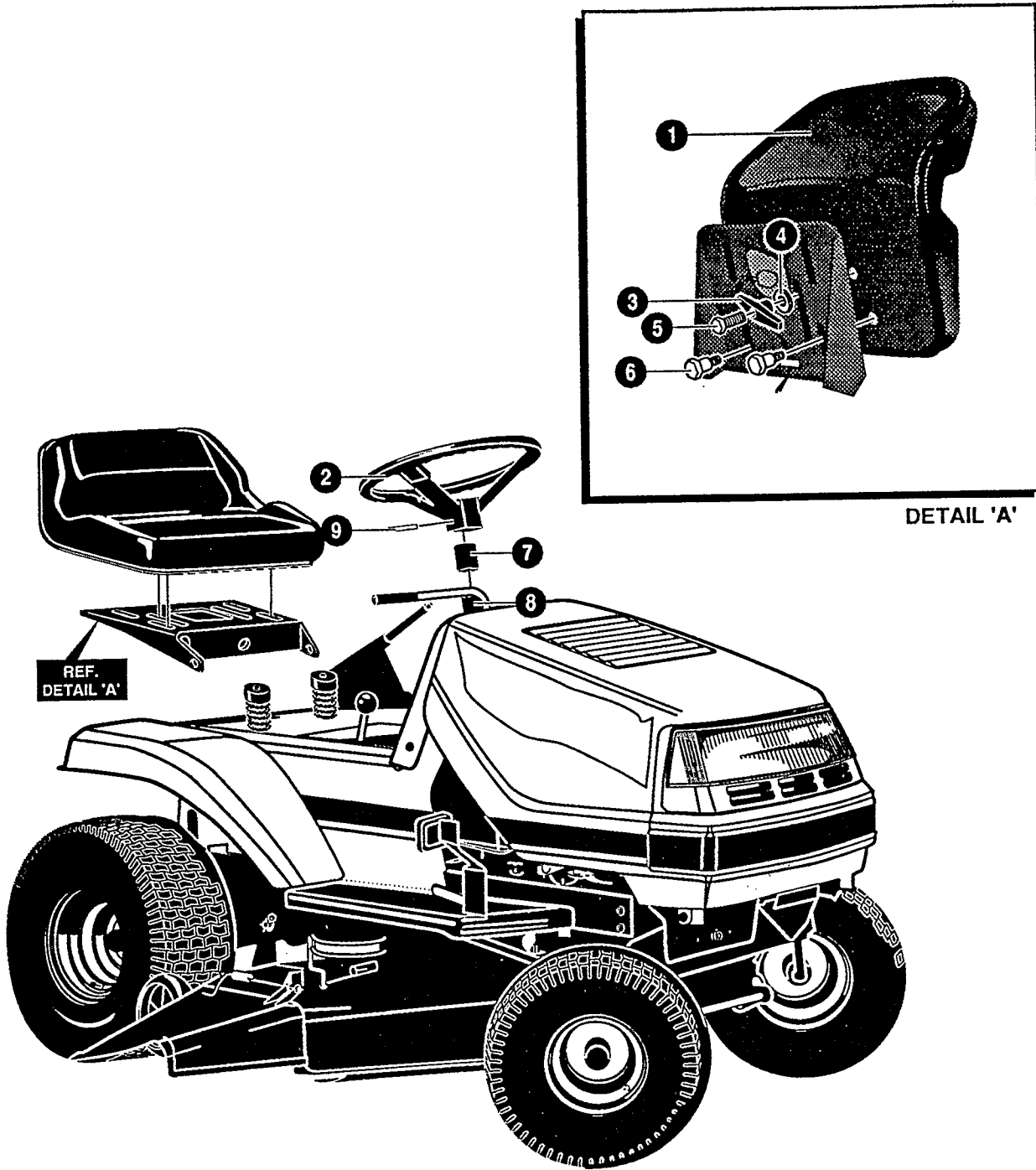
335400 C



KEY#	PART#	DESCRIPTION	QTY
1	402497	NAMEPLATE, ECOTRAC	2
2	308492	FOIL, LENS HOOD REFLECTOR	1
3	322699	DECAL, TAPE H13	1
4	314460	DECAL, CONSOLE RH.....	1
5	314461	DECAL, CONSOLE LH	1
6	322801	NAMEPLATE, 12/40.....	2

G3554080

CUSTOMER ASSEMBLY



REF.
DETAIL 'A'

DETAIL 'A'

KEY#	PART#	DESCRIPTION	QTY
1	338622	SEAT	1
2	330510	STEERING WHEEL	1
3	643958	HANDLE, WING NUT	1
4	120393	WASHER, FLAT .344 X .69 X .065	1
5	180079	SCREW, 5/16-18 X 1.00	1
6	331637	BOLT, .500 X .10	2
7	331322	COVER, STEERING SHAFT	1
8	301413	SPACER, STEERING SHAFT	1
9	456378	PIN, SPRING	1

331822 C