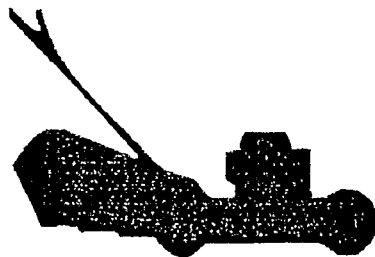
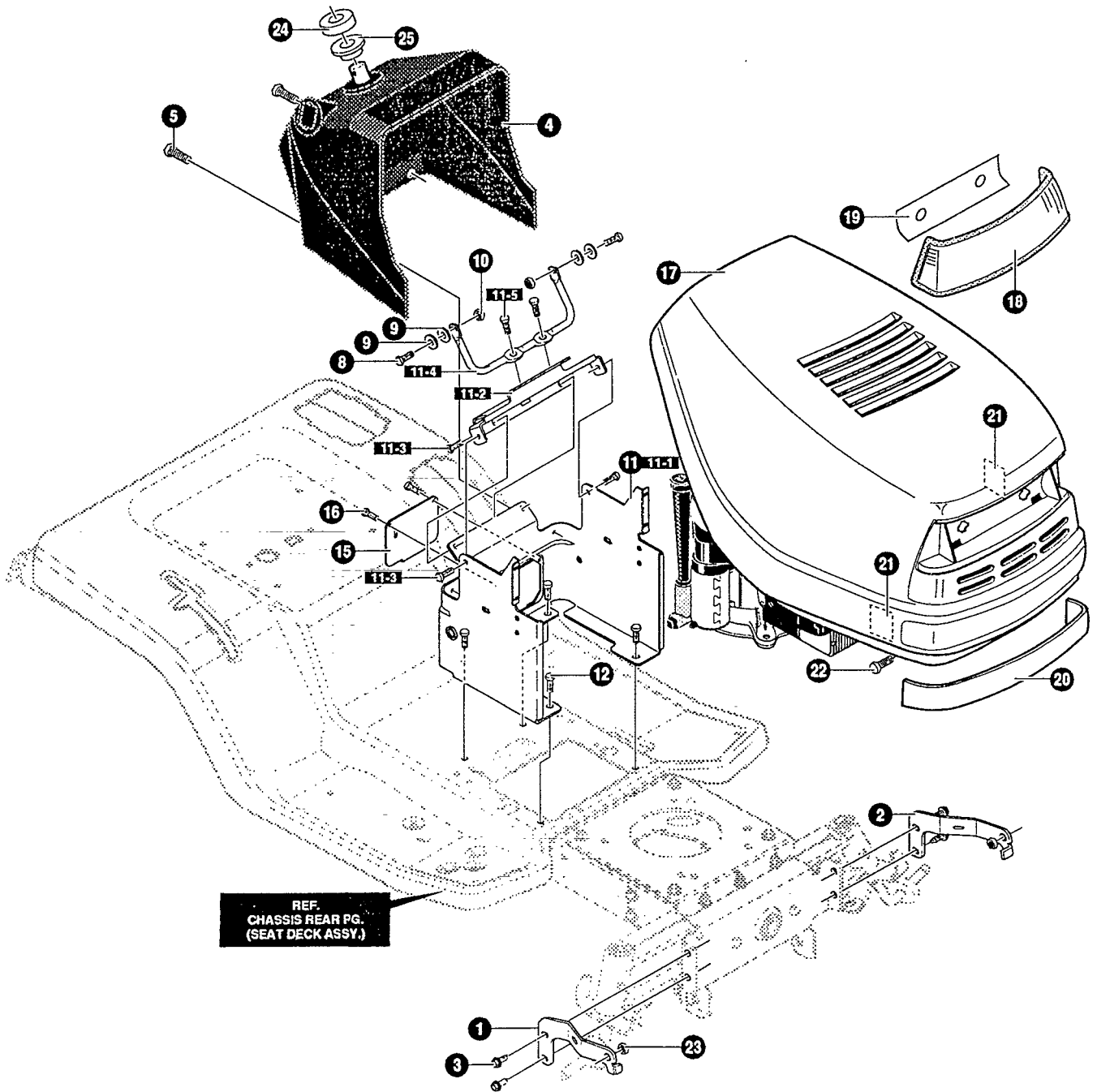


**GB Parts List - Riding Mower TEXAS Model 125-97**

**DK Reservedelsliste - Plænetraktor TEXAS Model 125-97**

**MODEL 38505X52A 38"KLIPPER**





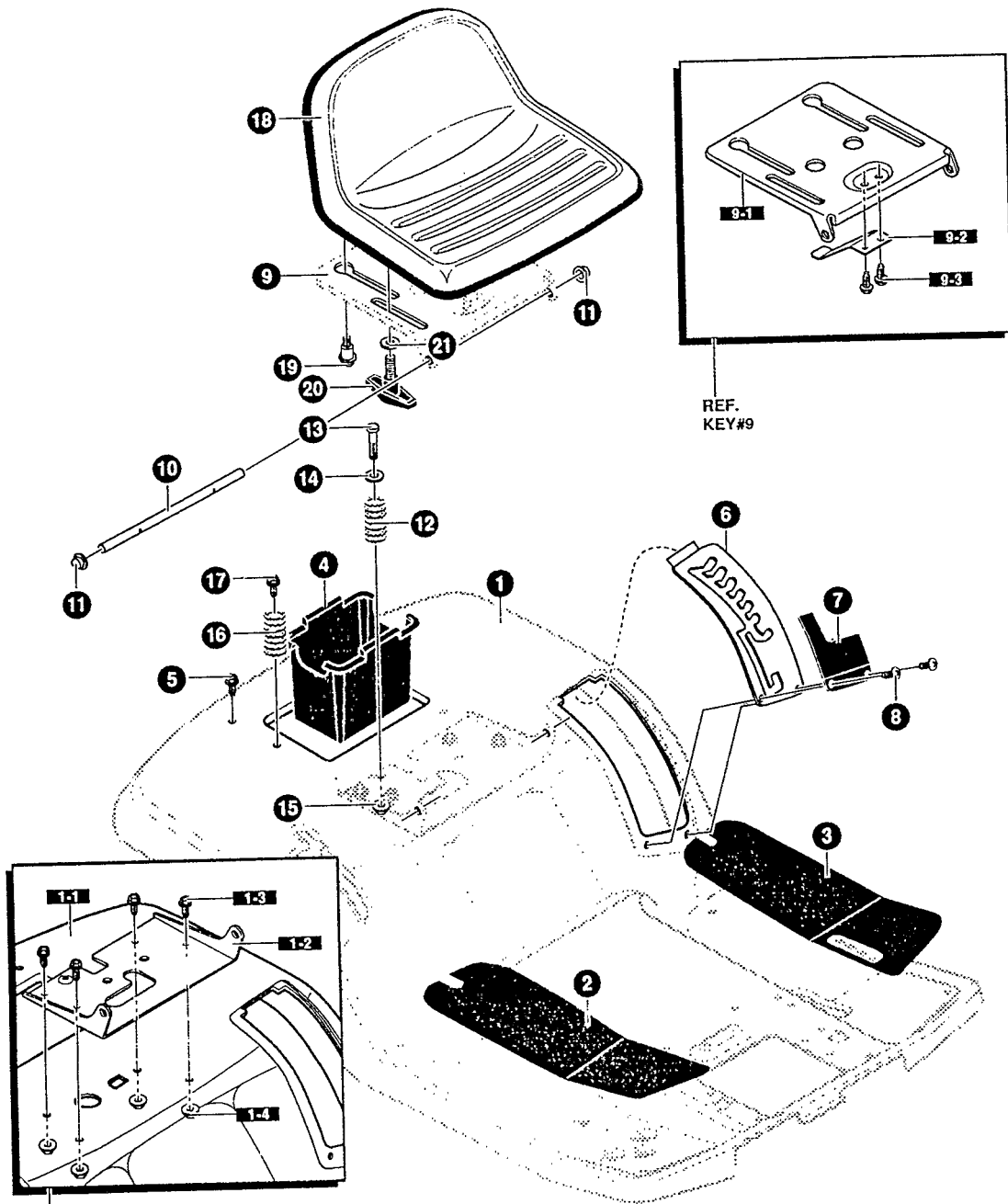
REF.  
CHASSIS REAR PG.  
(SEAT DECK ASSY.)

NOTE: ALWAYS USE ORIGINAL EQUIPMENT PARTS.  
Use of service/replacement parts other than original  
equipment parts may void your warranty.

ALL UNNUMBERED  
ITEMS ARE INTERCHANGEABLE  
WITH OPPOSITE SIDE

341317 A

KEY #	PART #	DESCRIPTION	QTY
1	95432-853	BRACKET/HOOD RH	1
2	95433-853	BRACKET/HOOD LH	1
3	710079	SCREW, 5/16-18X.75HHWATAPSGIBP	4
4	95427	DASH	1
5	710282	SCREW, 1/4-14X .75PHPANTAPABBL	2
8	180020	SCREW, 1/4-20X .75 HHC	2
9	120392	WASHER, FLAT .281X .63X.065	4
10	1502	NUT,1/4-20 REGHEXCTRLK	2
11	341569-889	ASM. LOWER CONSOLE	1
11-1	95425	TOWER,LOWER DASH	1
11-2	95426	SUPPORT, STEERING/PTO NLT	1
11-3	710264	SCREW, 1/4-20X .50 WAHHTAP	4
11-4	95406	ROD,DASH BRACE	1
11-5	710264	SCREW, 1/4-20X .50 WAHHTAP	2
12	710079	SCREW, 5/16-18X.75HHWATAPSGIBP	4
15	94638 -889	PANEL, ACCESS	1
16	710282	SCREW, 1/4-14X .75PHPANTAPABBL	2
17	<i>DX</i> 341601	HOOD	1
18	302670	LENS,HEADLAMP	1
19	308492	FOIL,LENS HOOD REFLECTOR	1
20	322700	DECAL, TAPE	1
21	301452	FOIL, HEAT REFLECTOR	2
22	56676	BOLT, .375X .580 HSH 5/16-18	2
23	1498	NUT, 5/16-18 REGHEXCTRLK	2
24	301413	SPACER, STEERING SHAFT	1
25	95404	BUSHING,STEERING SHAFT	1
	710530	OPERATOR'S MANUAL (ENG/DANISH)	1



REF.  
KEY#9

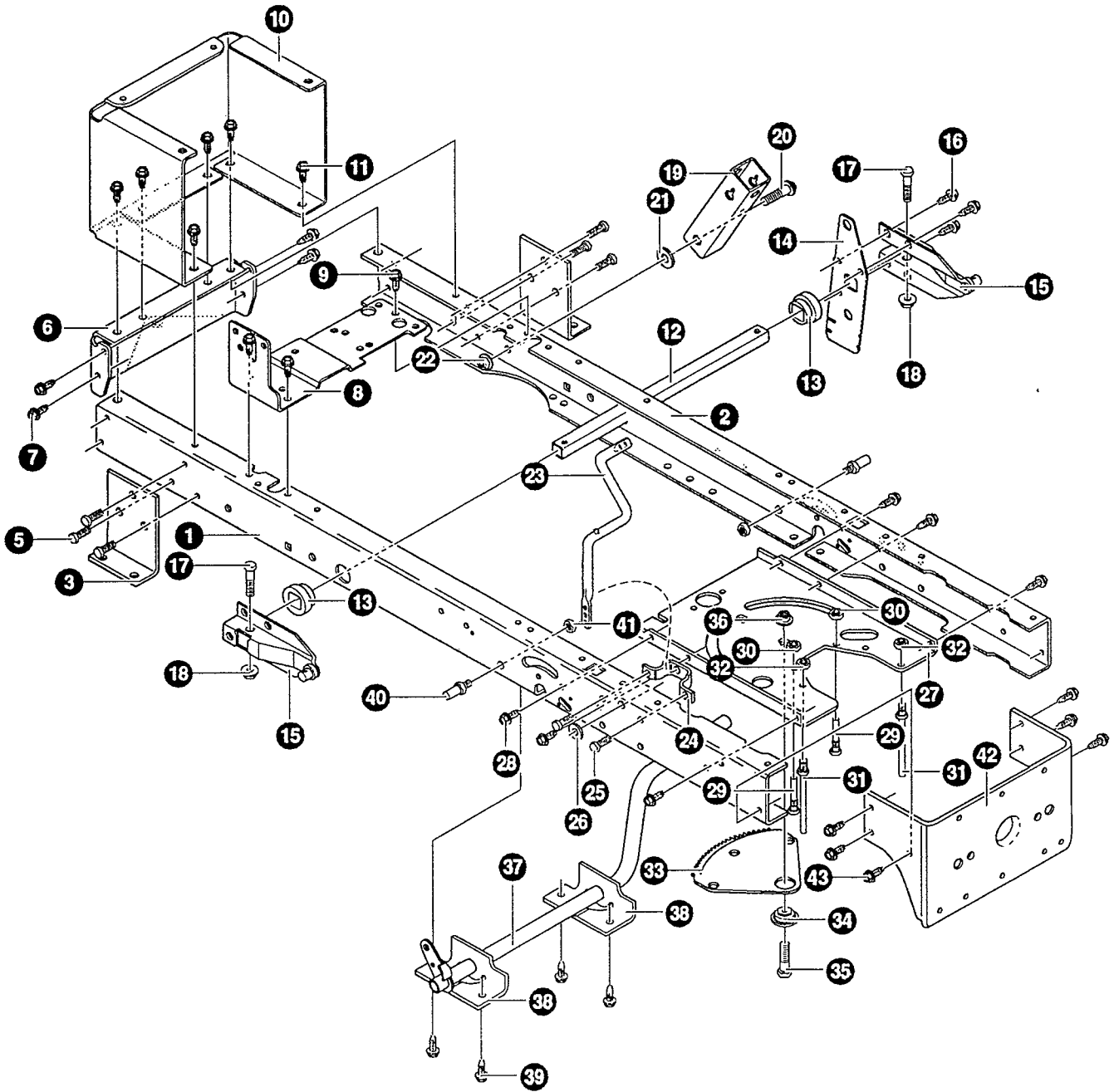
REF.  
KEY#1

NOTE: ALWAYS USE ORIGINAL EQUIPMENT PARTS.  
Use of service/replacement parts other than original  
equipment parts may void your warranty.

ALL UNNUMBERED  
ITEMS ARE INTERCHANGEABLE  
WITH OPPOSITE SIDE

341355 A

KEY #	PART #	DESCRIPTION	QTY
1	341604-889	ASSY. STD SEAT DECK	1
1-1	94070	STD.SEAT DECK DECK LIFT	1
1-2	94153	BRACKET, PIVOT SEAT	1
1-3	710079	SCREW, 5/16-8X.75 HHWATAP	4
1-4	710205	NUT, 5/16-18 WDFLLK (15X88)	4
2	94148	MAT, RUNNING BOARD RH	1
3	94149	MAT, RUNNING BOARD LH	1
4	94069	CONTAINER, BATTERY	1
5	710274	SCREW, 1/4-20X .63HHWATAPSERB	2
6	94829-889	PLATE, LIFT DETENT	1
7		NOT USED ON THIS UNIT	
8	710196	SCREW, 10-24X.500TRSEGI	2
9	341494-889	ASSY. SUPPORT, SEAT	1
9-1	94154	SEAT SUPPORT	1
9-2	94057	SPRING-LEAF	1
9-3	710264	SCREW, 1/4-20X.50 WAHHTAP	2
10	94156	HINGE SEAT PIVOT	1
11	710192	NUT, PUSH ON CAP	2
12	710136	SPRING, COMPRESSION	1
13	710093	SHOULDER BOLT, 1/4-20 (9-X55)	1
14	94155	WASHER CUP	1
15	710280	NUT, 1/4-20 WDFLLK (15X89)	1
16	710109	SPRING,COMPRESS 2.43LG 164X30	2
17	710079	SCREW, 5/16-18X.75HHWATAPSGIBP	2.
18	95436	SEAT QK.ADJUST	1
19	710101	BOLT, SHOULDER 5/16-18NC (9X56)	2
20	94160	BOLT, WING 5/16-18	2
21	710281	WASHER, FLAT.344X .62X.06	2

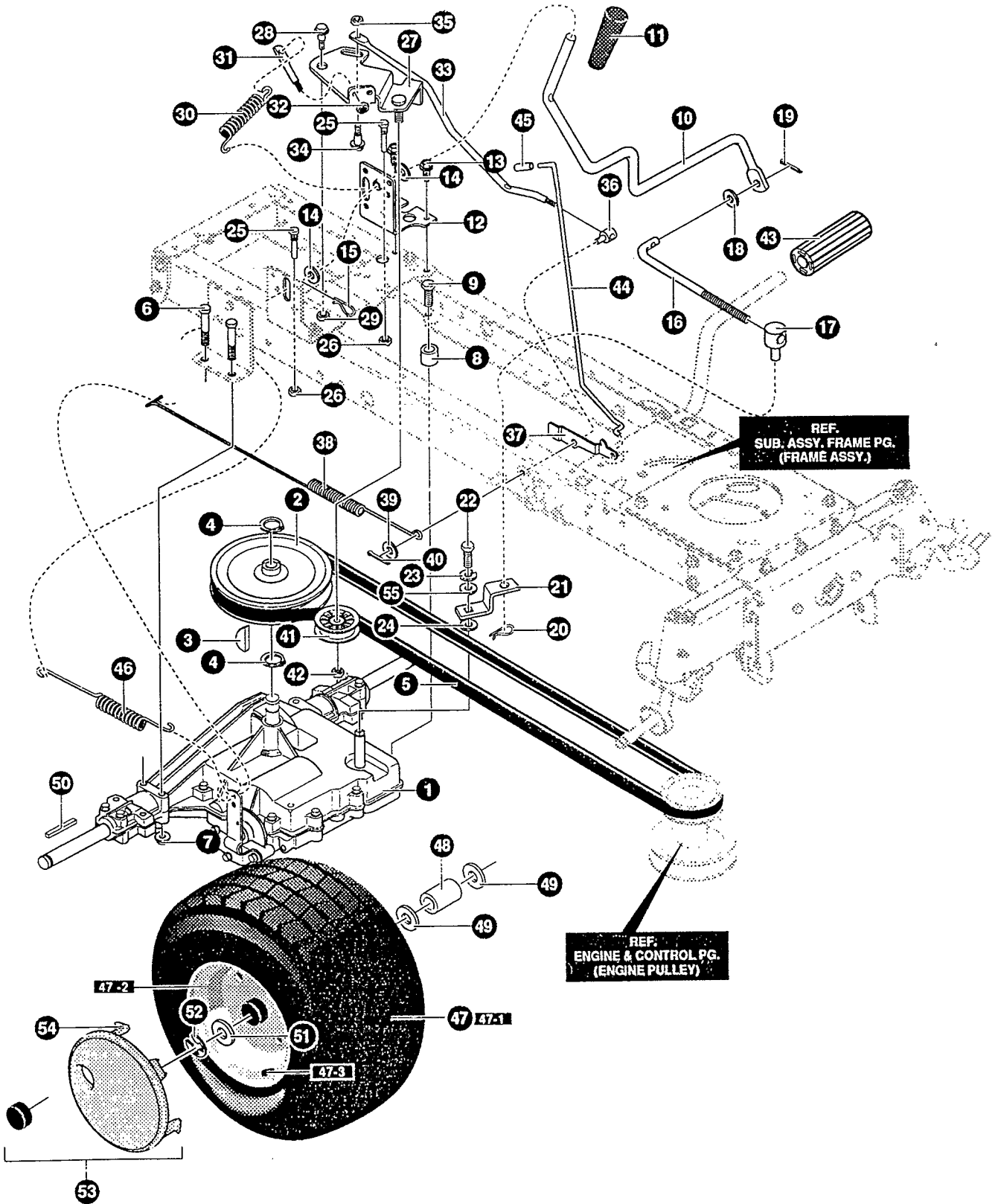


NOTE: ALWAYS USE ORIGINAL EQUIPMENT PARTS  
Use of service/replacement parts other than original  
equipment parts may void your warranty.

ALL UNNUMBERED  
ITEMS ARE INTERCHANGEABLE  
WITH OPPOSITE SIDE

341408A

KEY #	PART #	DESCRIPTION	QTY
1	94000	FRAME, RAIL LH	1
2	94001	FRAME, RAIL RH	1
3	94008	BRACKET, TRANSAXLE	2
5	710079	SCREW, 5/16-18X.75HHWATAPSGIBP	6
6	94002	HITCH PLATE	1
7	710079	SCREW, 5/16-18X.75HHWATAPSGIBP	4
8	94033	BRACKET, SHIFT RH	1
9	710079	SCREW, 5/16-18X.75HHWATAPSGIBP	3
10	94023	PANEL, REAR	1
11	710079	SCREW, 5/16-18X.75HHWATAPSGIBP	6
12	94063	TUBE, LIFTER	1
13	94065	BUSHING - LIFT TUBE	2
14	94030	PLATE-LIFT ARM	1
15	94180	ASSEMBLY, LIFT ARM LEVER	2
16	710106	SCREW, 5/16-18X.50WHHTAPBK26X49	3
17	710310	SCREW, 5/16-24X1.25	2
18	710080	NUT, 5/16-24 NF-2 HEXFLLK	2
19	94015	BRACKET, PIVOT	1
20	710000	BOLT, .562X1.563 HSH 3/8-16	1
21	710130	WASHER, FLAT .406ID (17X191)	1
22	710140	NUT, 3/8-16HWD FLLK MACK 15X84	1
23	94019	CRANK, PTO (DRILLED)	1
24	94005	BRACKET, BELL CRANK	1
25	710079	SCREW, 5/16-18X.75HHWATAPSGIBP	2
26	120395	WASHER, FLAT .469X .92X.065	1
27	94003	PLATE, STEERING MOUNTING	1
28	710079	SCREW, 5/16-18X.75HHWATAPSGIBP	6
29	93349	SCREW GUIDE 5/16-18	2
30	710204	NUT, 5/16-18 HEXWDFLLK WHIZ PL	2
31	94066	SCREW - GUIDE	2
32	710204	NUT, 5/16-18 HEXWDFLLK WHIZ PL	2
33	94121	GEAR, SECTOR	1
34	94123	BEARING, SECTOR GEAR	1
35	710312	SCREW, 5/16-18X1.00 HHC	1
36	710105	NUT, 5/16-18 HWD FLLK (15X113)	1
37	94038	ASSEMBLY, BRAKE LEVER	1
38	94035	BRACKET, PEDAL PIVOT	2
39	710079	SCREW, 5/16-18X.75HHWATAPSGIBP	4
40	94067	PIN, THREADED SHOULDER	2
41	45171	NUT, 3/8-16 HWD FL WHIZ-LOCK	2
42	94013	BRACKET, HANGER REAR	1
43	710079	SCREW, 5/16-18X.75HHWATAPSGIBP	6



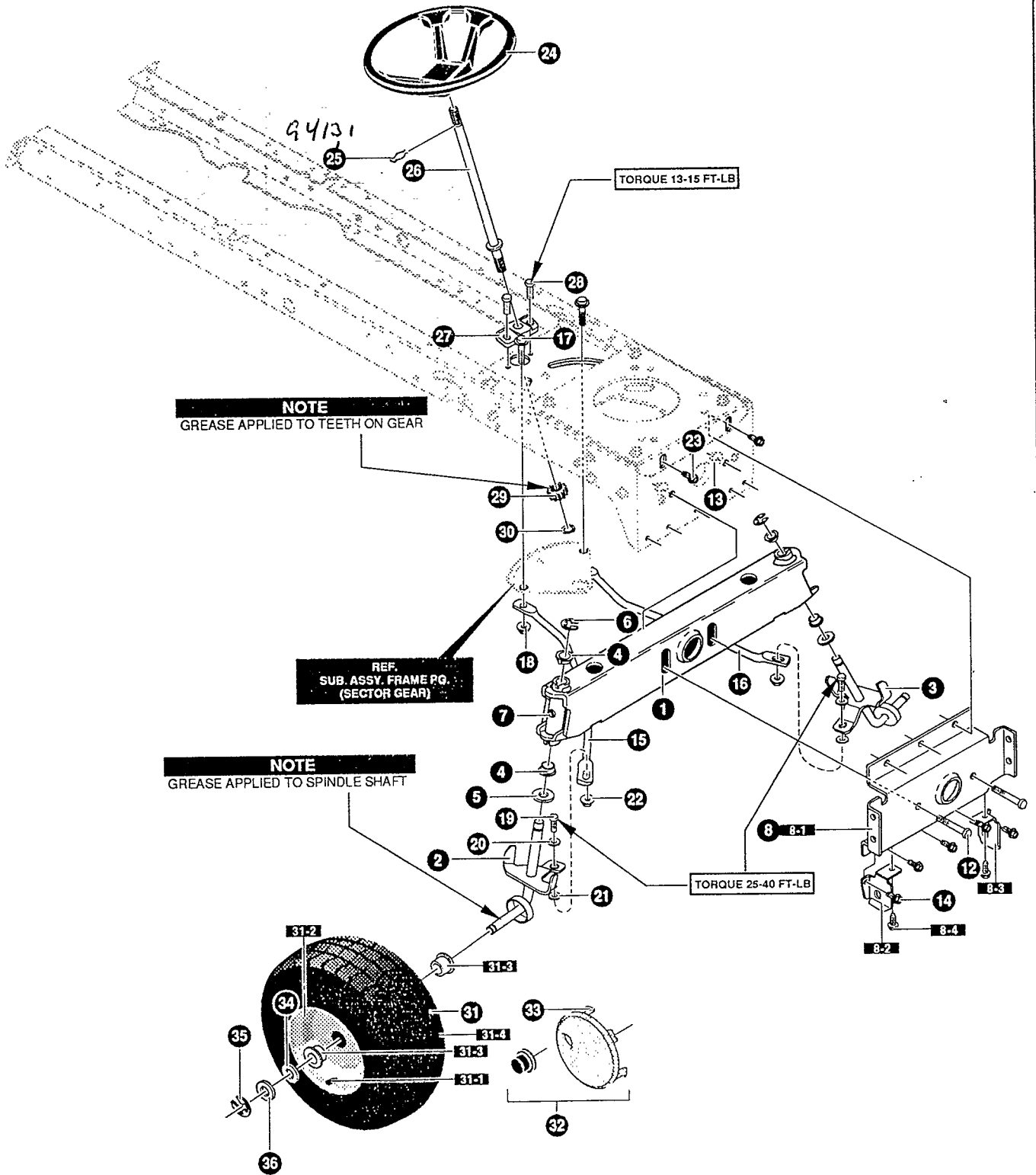
NOTE: ALWAYS USE ORIGINAL EQUIPMENT PARTS.  
Use of service/replacement parts other than original  
equipment parts may void your warranty.

ALL UNNUMBERED  
ITEMS ARE INTERCHANGEABLE  
WITH OPPOSITE SIDE



KEY #	PART #	DESCRIPTION	QTY
1	*	TRANSAXLE, PEERLESS	1
2	91807	PULLEY, 8.81DIA.	1
3	20697	KEY, WDRF #9 .75DIA X.18X .310	1
4	710340	RING, RETEX .58X.04TRU (11X7)	2
5	710341	BELT, V (37X87)	1
6	710342	SCREW, 5/16-18X2.625	4
7	710205	NUT, 5/16-18 WDFLLK (15X88)	4
8	94132	SPACER, TRANSAXLE	1
9	710002	SCREW, 5/16-18X2.00HHTFTH	1
10	94043	LEVER, SHIFTER	1
11	92697	GRIP, BLACK VINYL	1
12	94034-853	BRACKET, SHIFT PIVOT	1
13	710079	SCREW, 5/16-18X.75HHWATAPSGIBP	2
14	710115	WASH ,FLAT.518X.87X16 (17X102)	2
15	710108	PIN, HAIR (31X4)	1
16	94044	LINK,SHIFT ZINC	1
17	21920	NUT,ADJ. 3/8-16TAP	1
18	710142	WASHER, FLAT.406X .81X16GA	1
19	710107	PIN,COTTER.094DIA.X.75 (30X20)	1
20	710343	PIN,HAIR.38 DIA X1.64LGPH&OI	1
21	94031	ZINC YOKE-SHIFT	1
22	710345	SCREW, 1/4-28X .750HHCNYLK	1
23	710249	WASHER, (18X32)	1
24	710346	WASHER, .388/.393SQX1.00X.065	1
25	93349	SCREW GUIDE 5/16-18	2
26	710204	NUT,5/16-18 HEXWDFLLK WHIZ PL	2
27	94040	ASS'Y, IDLER ARM	1
28	710098	BOLT.50X.75 HSSH 3/8-16 (9X39)	1
29	710140	NUT,3/8-16HWDFLLK MACK (15X84)	1
30	710334	SPRING,EXTENSION 5.16LG	1
31	94042	STUD-SPRING MTG	1
32	710204	NUT,5/16-18 HEXWDFLLK WHIZ PL	1
33	94041	ROD,CLUTCH SWITCH ZINC	1
34	710344	BOLT, .50X.20HSSH1/4-20X.50	1
35	710280	NUT, 1/4-20 WDFLLK (15X89)	1
36	94815	NUT, ADJUSTING	1
37	94045	LATCH, PARK BRAKE ZINC	1
38	710333	SPRING, EXTENSION 23.10LG	1
39	710142	WASHER, FLAT.406X .81X16GA	1
40	710107	PIN,COTTER.094DIA.X.75 (30X20)	1
41	91179	PULLEY	1
42	710140	NUT,3/8-16HWDFLLK MACK (15X84)	1
43	21544	PEDAL,BRAKE/CLUTCH STD NLT	1
44	94152	ROD, PARKING BRAKE	1
45	92724	GRIP, ROD	1
46	710353	SPRING, TENSION	1
47	692288	TIRE & RIM 20"	2
47-1	338512	VALVE STEM	
47-2	338524	RIM	
47-3	338549	TIRE 18X8.5X8	
48	95421	SPACER, .87X1.78 (87X105)	2
49	710351	WASHER, FLAT .760X1.25X.065	4
50	21553	KEY, SQUARE .187QX2.0LG	2
51	710350	WASHER, FLAT .765X1.62X.065	2
52	710103	E-RING .574IDX.050/.750SH (11X3)	2
53	24582	HUBCAP, AXLE SHAFT	2
55	710657		

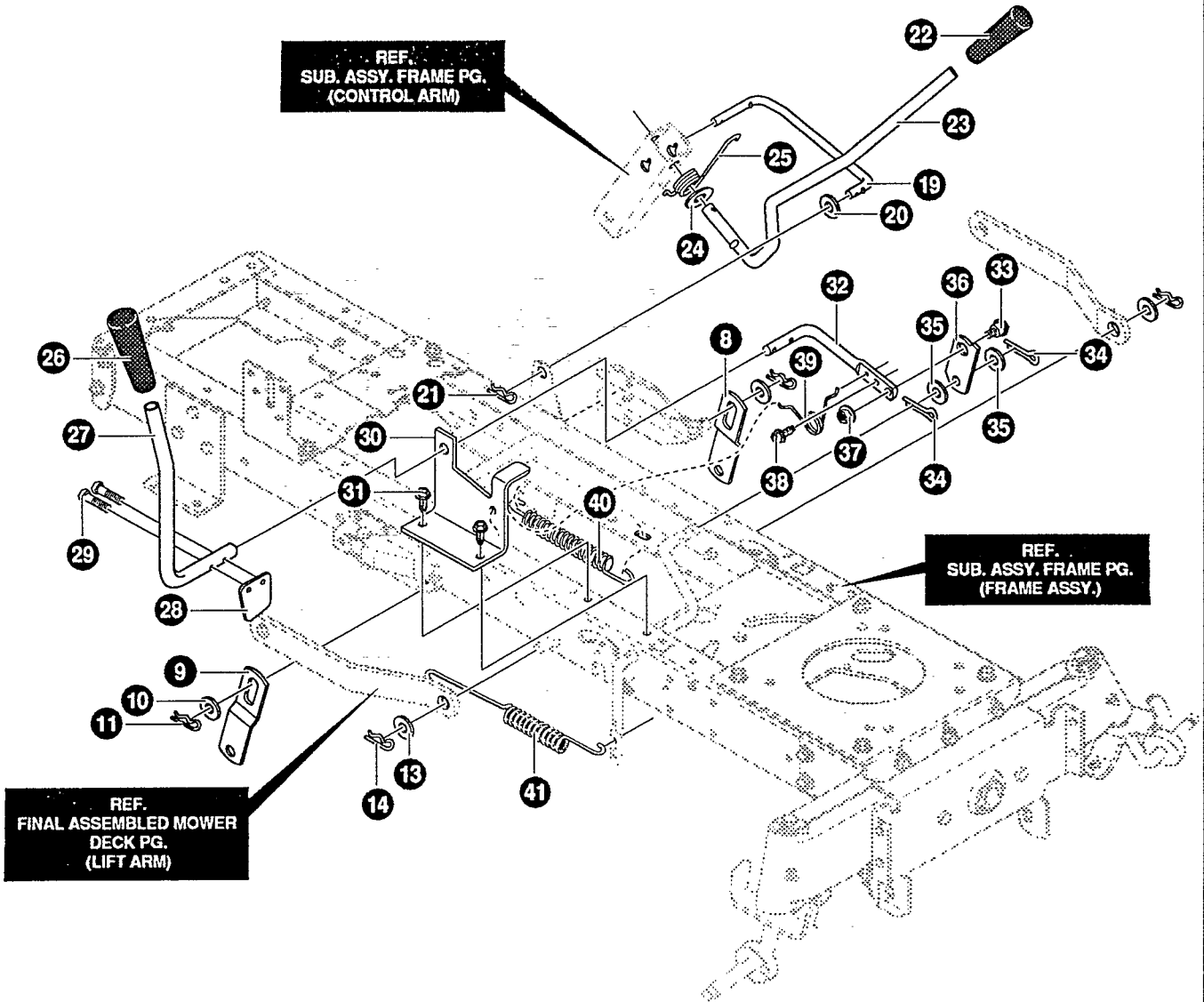
\* CONTACT YOUR NEAREST PEERLESS TRANSAXLE DEALER FOR PARTS AND SERVICE.



NOTE: ALWAYS USE ORIGINAL EQUIPMENT PARTS. Use of service/replacement parts other than original equipment parts may void your warranty.

ALL UNNUMBERED ITEMS ARE INTERCHANGEABLE WITH OPPOSITE SIDE

KEY #	PART #	DESCRIPTION	QTY
1	94012 -853	AXLE ASSEMBLY	1
2	94178-853	SPINDLE,RH (94178)	1
3	94179-853	SPINDLE LH	1
4	92527	BEARING, SPINDLE	4
5	710129	WASHER,.766 ID X 1.62ID 16GA	2
6	710103	E-RING .574IDX.050/.750SH (11X3 )	2
7	706	ZERK, GREASE FITTING	2
8	341490-853	ASM.FRONT AXLE/DECK HANGER	1
8-1	94007	HANGER, AXLE	1
8-2	94026	HANGER DECK RH	1
8-3	94027	HANGER DECK LH	1
8-4	710079	SCREW, 5/16-18X.75HHWATAPSGIBP	2
12	710081	SCREW, 5/16-24X2.75	2
13	710080	NUT, 5/16-24 NF-2 HEXFLLK	2
14	710079	SCREW, 5/16-18X.75HHWATAPSGIBP	2
15	94020-853	DRAG LINK RH	1
16	94021-853	DRAG LINK, LH	1
17	710440	BOLT,HSSH (9X57)	2
18	710140	NUT,3/8-16HWD FLLK MACK (15X84)	2
19	710082	SCREW, 3/8-16X1.5 HHCFLTHR	2
20	710083	WASHER, FLAT .391X1.00X.083	2
21	710142	WASHER, FLAT.406X .81X16GA	2
22	710140	NUT,3/8-16HWD FLLK MACK (15X84)	2
23	710079	SCREW, 5/16-18X.75HHWATAPSGIBP	3
24	94134	STEERING WHEEL	1
26	94127	SHAFT, STEERING	1
27	94124	BEARING-LOWER	1
28	710079	SCREW, 5/16-18X.75HHWATAPSGIBP	2
29	94122	GEAR PINION	1
30	710102	RING, RET E.54ID .59SH (11X25)	1
31	692287	TIRE&RIM, PU 15X6.0X6	2
31-1	338512	VALVE STEM	
31-2	338517	RIM	
31-3	338513	BEARING	
31-4	338516	TIRE 15X6X6	
32		NOT USED ON THIS UNIT	
33		NOTUSED ON THIS UNIT	
34	710131	WASHER, FLAT .759ID (340435)	2
35	36625	RING, RETEX .57X.05TRU5133-75	2
36	710350	WASHER, FLAT .765X1.62X.065	2

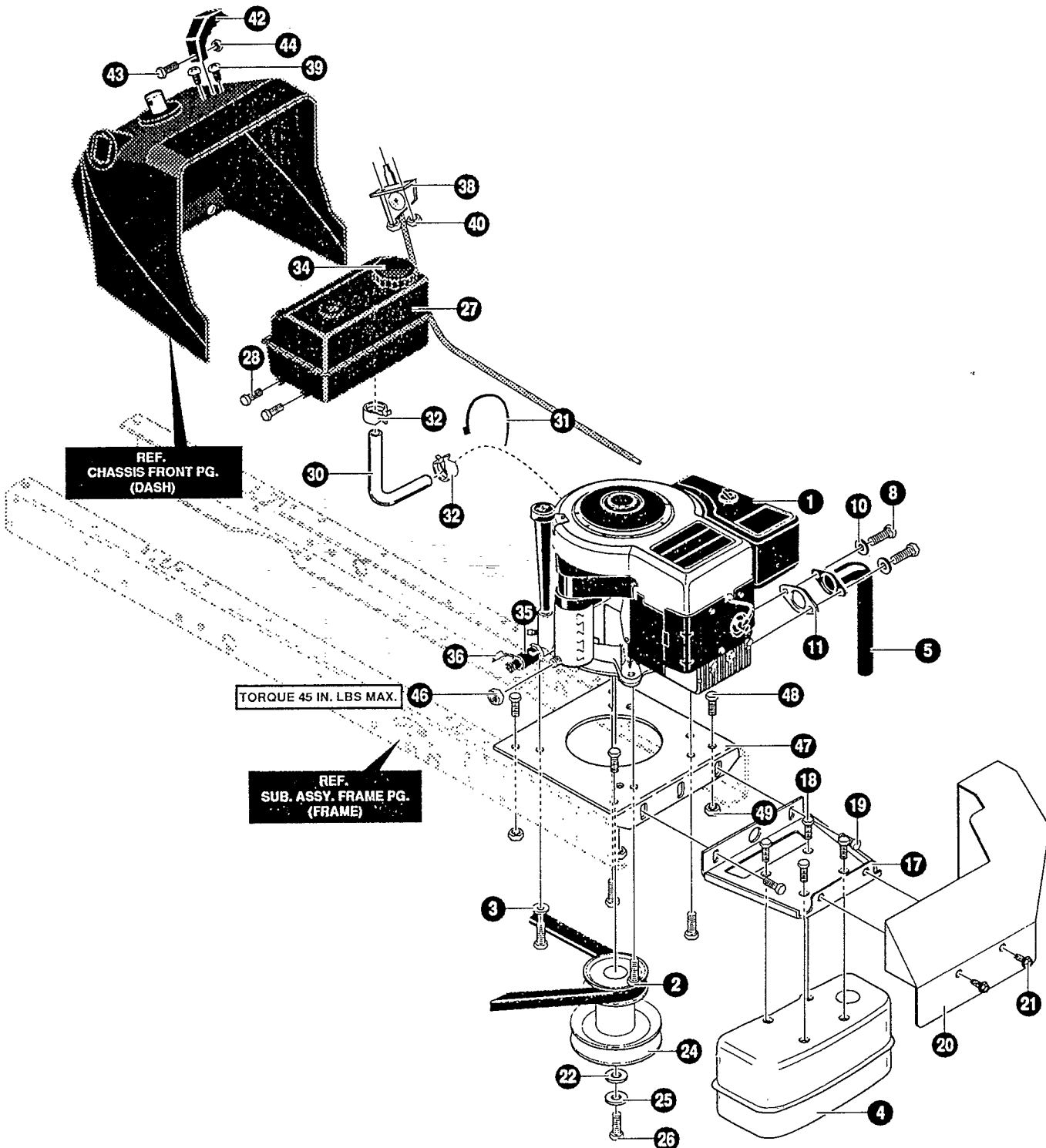


NOTE: ALWAYS USE ORIGINAL EQUIPMENT PARTS.  
Use of service/replacement parts other than original  
equipment parts may void your warranty.

ALL UNNUMBERED  
ITEMS ARE INTERCHANGEABLE  
WITH OPPOSITE SIDE

341380A

KEY #	PART #	DESCRIPTION	QTY
8	94611-853	LINK, LIFT RH	1
9	94053-853	LINK-LIFT	1
10	710119	WASHER,FLAT (17X91)	2
11	710108	PIN, HAIR (31X4)	2
13	710119	WASHER,FLAT (17X91)	2
14	710108	PIN, HAIR (31X4)	2
19	94028	DRILLED LINK LIFT HANDLE	1
20	710119	WASHER,FLAT (17X91)	1
21	710108	PIN, HAIR (31X4)	1
22	92697	GRIP, BLACK VINYL MO#92697	1
23	94029	HANDLE, LIFT ZINC	1
24	710116	WASH,FLAT.550X1.00X11 17X103	1
25	710111	TORSION SPRING .657LG (166X40)	1
26	92698	GRIP, BLACK VINYL	1
27	94826	PTO LEVER	1
28	94022-853	PADDLE, SWITCH	1
29	710137	SCREW, THD FORMING.246X1.050LG	2
30	94018-889	BRACKET, PTO	1
31	710079	SCREW, 5/16-18X.75HHWATAPSGIBP	2
32	94017	LEVER, PTO ZINC	1
33	710098	BOLT.50X.75 HHSH 3/8-16Z 9X39	1
34	710107	PIN,COTTER.094DIA.X.75 30X20	2
35	710115	WASH ,FLAT.518X.87X16 17X102	2
36	94004	LINK PTO ZINC	1
37	710140	NUT,3/8-16HWDFLLK MACK 15X84	1
38	710079	SCREW, 5/16-18X.75HHWATAPSGIBP	1
39	710141	TORISON SPRING .33LG (166X39)	1
40	710311	SPRING, TENS 1.01OD 8.18LG	1
41	710229	EXTEN. SPRING 11.16LG 165X118	1

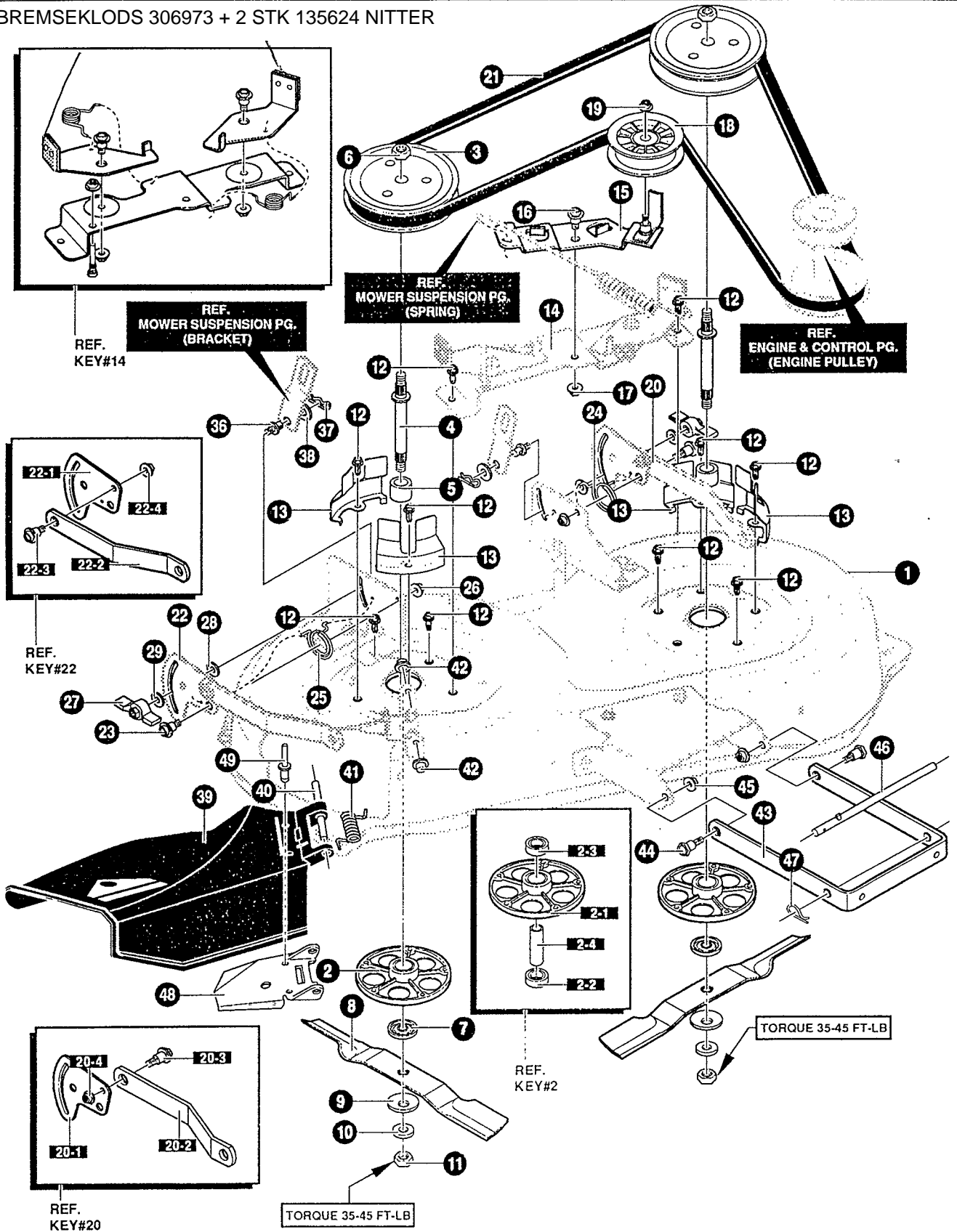


NOTE: ALWAYS USE ORIGINAL EQUIPMENT PARTS  
 Use of service/replacement parts other than original  
 equipment parts may void your warranty.

ALL UNNUMBERED  
 ITEMS ARE INTERCHANGEABLE  
 WITH OPPOSITE SIDE

KEY #	PART #	DESCRIPTION	QTY
1	ENGINE	12-12.5HP BS IC DC	1
2	50947	SCREW, 3/8-16X1.25 WAHHTAPBLKP	4
3	138489	WASHER, EXLK .384X.69X.04	1
4	94902	MUFFLER, SUPER LOW TONE 12.5	1
5	94900	EXHAUST PIPE 12.5 B&S I/C	1
8	180077	SCREW, 5/16-18X .75	2
10	120638	WASHER, HVSP TLK .328X.60X.09	2
11	46708	GASKET, MUFFLER	1
17	94901-853	BRACKET MUFFLER 12.5HP	1
18	44811	SCREW, 1/4-20X .75 WAHHTAP	4
19	710079	SCREW, 5/16-18X.75HHWATAPSGIBP	2
20	94904-853	HEAT SHIELD 12.5HP B&S	1
21	710079	SCREW, 5/16-18X.75HHWATAPSGIBP	2
22	710247	WASHER, FLAT .480X1.00X.25	1
24	94139	PULLEY, STACK ASSY	1
25	120383	WASHER, REGSPTLK.459X.78X.12	1
26	433146	SCREW, 7/16-20X4.25 PH	1
27	309853	TANK, FUEL 1.5 WO/SENSOR CLEAR	1
28	300303	SCREW, .25X.75X.51HHWAPLASTITE	4
30	42258	TUBING, .25X.50X GAS LINE	12IN.
31	57444	TIE, CABLE BLACK NYLON 5.62L	1
32	47345	CLAMP, FUEL LINE YELLOW UM5077	2
34	12501	CAP,FUEL 2.5" THROAT	1
35	325547	OIL DRAIN VALVE ASSEMBLY	1
36	327422	CAP,OIL DRAIN VALVE ASM.YELLOW	1
38	94906	THROTTLE CONTROL 22" RAIL FRAME	1
39	155941	SCREW, 10-24X.63 PHFLTMA	2
40	308459	NUT, #10-24 HXHDNYLK	2
42	300508	KNOB,THROTTLE CONTROL	1
43	159585	SCREW, #8-32X .38 PHPNMA	1
44	120622	NUT, #8-32 REGHX	1
46	124818	NUT, 1/4-20 REGHXJAM	1
47	94006-853	PLATE, ENGINE	1
48	710079	SCREW, 5/16-18X.75HHWATAPSGIBP	4
49	710205	NUT, 5/16-18 WDFLLK (15X88)	4

BREMSEKLODS 306973 + 2 STK 135624 NITTER



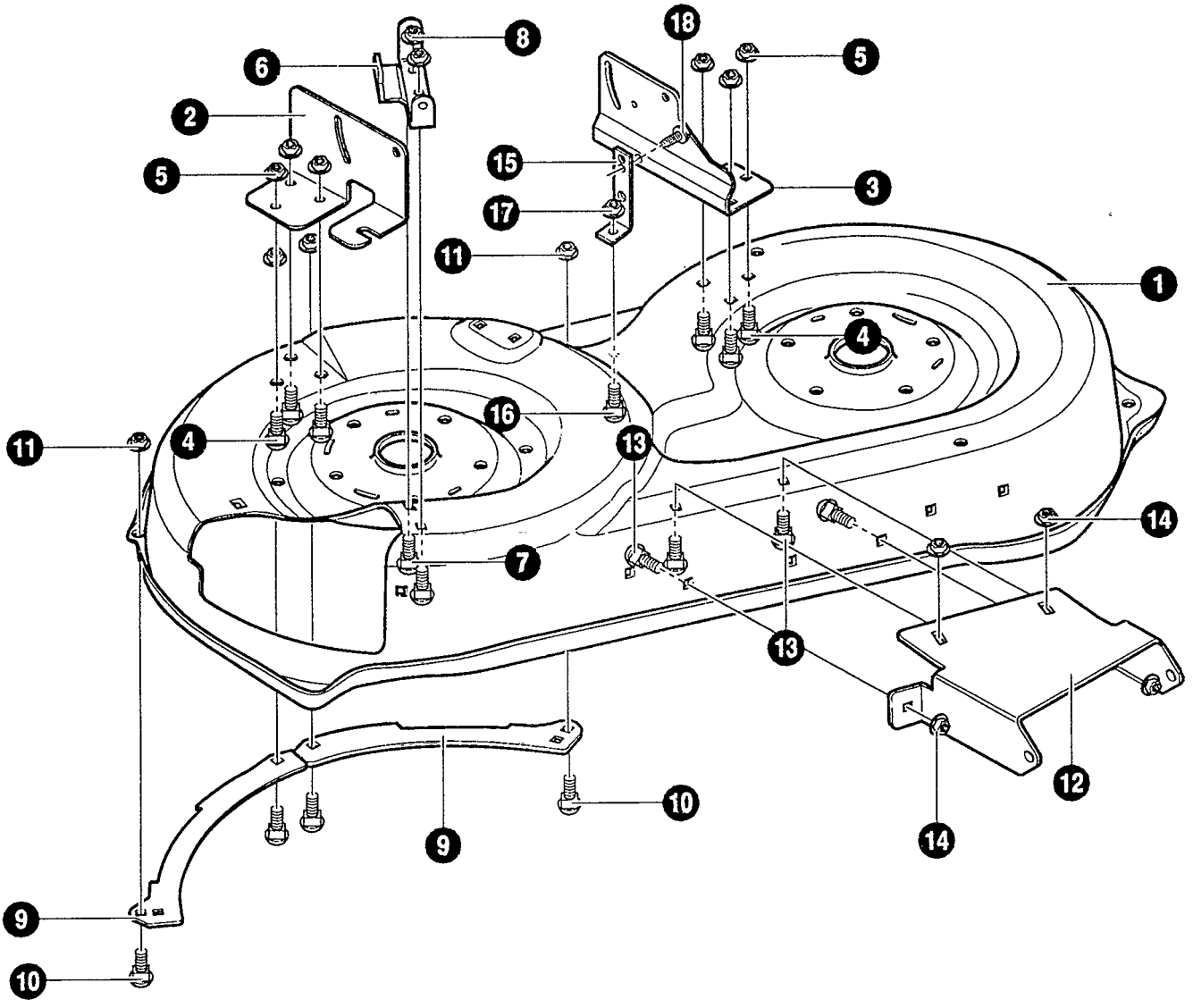
NOTE: ALWAYS USE ORIGINAL EQUIPMENT PARTS  
 Use of service/replacement parts other than original  
 equipment parts may void your warranty.

ALL UNNUMBERED  
 ITEMS ARE INTERCHANGEABLE  
 WITH OPPOSITE SIDE

341273A



KEY#	PART #	DESCRIPTION	QTY
1	94061-853	38" MOWER DECK ASSY	1
2	90905	JACKSHAFT HOUSING ASM.	2
3	92852	ZINC PULLEY, QUILL 38" DECK	2
4	94129	JACKSHAFT 7.12LG	2
5	94130	SPACER, JACKSHAFT	2
6	710191	NUT, 9/16-18 UNF-2B (15X121)	2
7	92466	ADAPTER, DECK/BLADE 38"	2
8	94913	BLADE, 38" EXPORT	2
9	710118	WASHER, FLAT.625X1.75 17X166	2
10	710117	WASHER,FLAT .625X1.00X.188	2
11	710104	NUT, 9/16 REGHEX	2
12	710199	SCREW, 3/8-16X1.25 WAHHSPTAPP	10
13	94051-853	COVER, SEGMENT BELT GUIDE	4
14	94691-853	ASM., BRAKE WITH SUPPORT 38"	1
15	94177-853	ASS'Y, IDLER ARM	1
16	710098	BOLT.50X.75 HSH 3/8-16Z 9X39	1
17	710140	NUT,3/8-16HWDFLLK MACK (15X84)	1
18	91801	PULLEY, IDLER BFF 4.75DIA.	1
19	710140	NUT,3/8-16HWDFLLK MACK (15X84)	1
20	341594-853	ASM.PLATE,REAR SUS.BRKT.LH	1
20-1	94128	PLATE - SUSPENSION	1
20-2	94055	SUSPENSION BRKT REAR	1
20-3	710095	BOLT, SHOULDER 3/8-16 (9X52)	1
20-4	710140	NUT,3/8-16HWDFLLK MACK (15X84)	1
21	710193	BELT, BARBACK, CL 84.24(37X86)	1
22	341593-853	ASM. PLATE,REAR SUS.BRKT.RH	1
22-1	94128	PLATE - SUSPENSION	1
22-2	94055	SUSPENSION BRKT REAR	1
22-3	710095	BOLT, SHOULDER 3/8-16 (9X52)	1
22-4	710140	NUT,3/8-16HWDFLLK MACK (15X84 )	1
23	710094	BOLT, SHOULDER .375 (9X51)	2
24	710113	SPRING,TORSION .68LG LH (166X43)	1
25	710112	SPRING,TORSION .68LG RH (166X42)	1
26	710140	NUT,3/8-16HWDFLLK MACK (15X84)	2
27	94068	KNOB	2
28	94137	PAD, FRICTION	2
29	710195	WASHER, (17X45)	2
36	94064	PIN, HANGER	2
37	710108	HAIR PIN (31X4)	2
38	710116	FLATWASHER .550X1.00X11 (17X103)	2
39	94687	DEFLECTOR CHUTE	1
40	91767	ROD, CHUTE DEFLECTOR	1
41	710194	SPRING, TORS .44 X2.06X .	1
42	710192	NUT, PUSH CAP .375 (28X23)	2
43	94058-853	BRACKET, FRT SUSPENSION	1
44	710094	BOLT, SHOULDER .375 (9X51)	2
45	710140	NUT,3/8-16HWDFLLK MACK (15X84)	2
46	94158	ZINC ROD, HANGER	1
47	710108	PIN, HAIR (31X4)	2
48	92464-853	SUPPORT, DEFLECTOR CHUTE	1
49	710181	RIVET - SEMI .244X.250 (7X125)	2

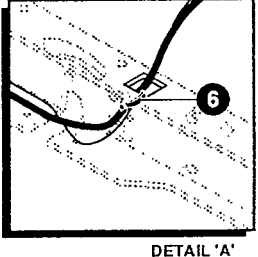
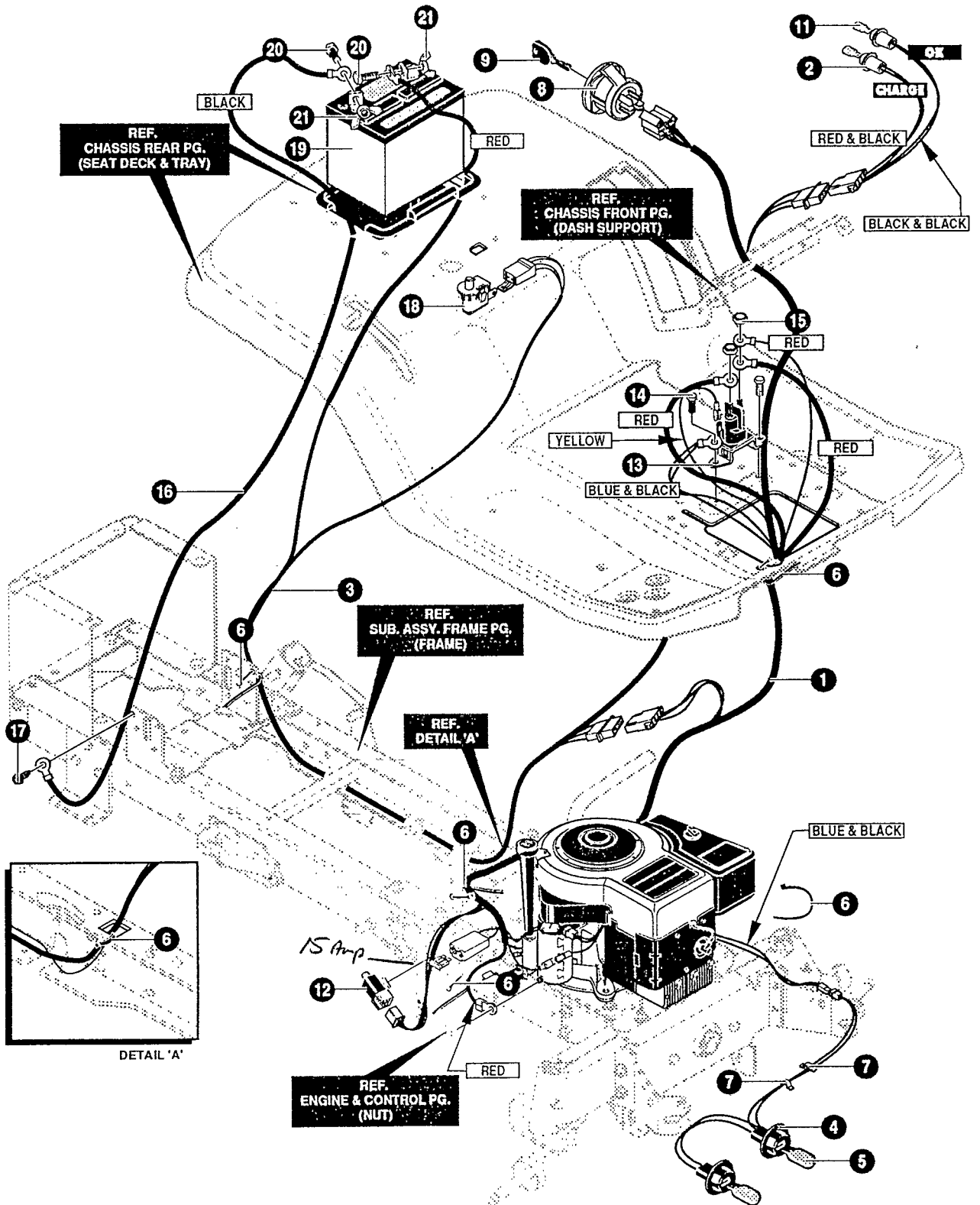


NOTE: ALWAYS USE ORIGINAL EQUIPMENT PARTS.  
Use of service/replacement parts other than original  
equipment parts may void your warranty.

ALL UNNUMBERED  
ITEMS ARE INTERCHANGEABLE  
WITH OPPOSITE SIDE

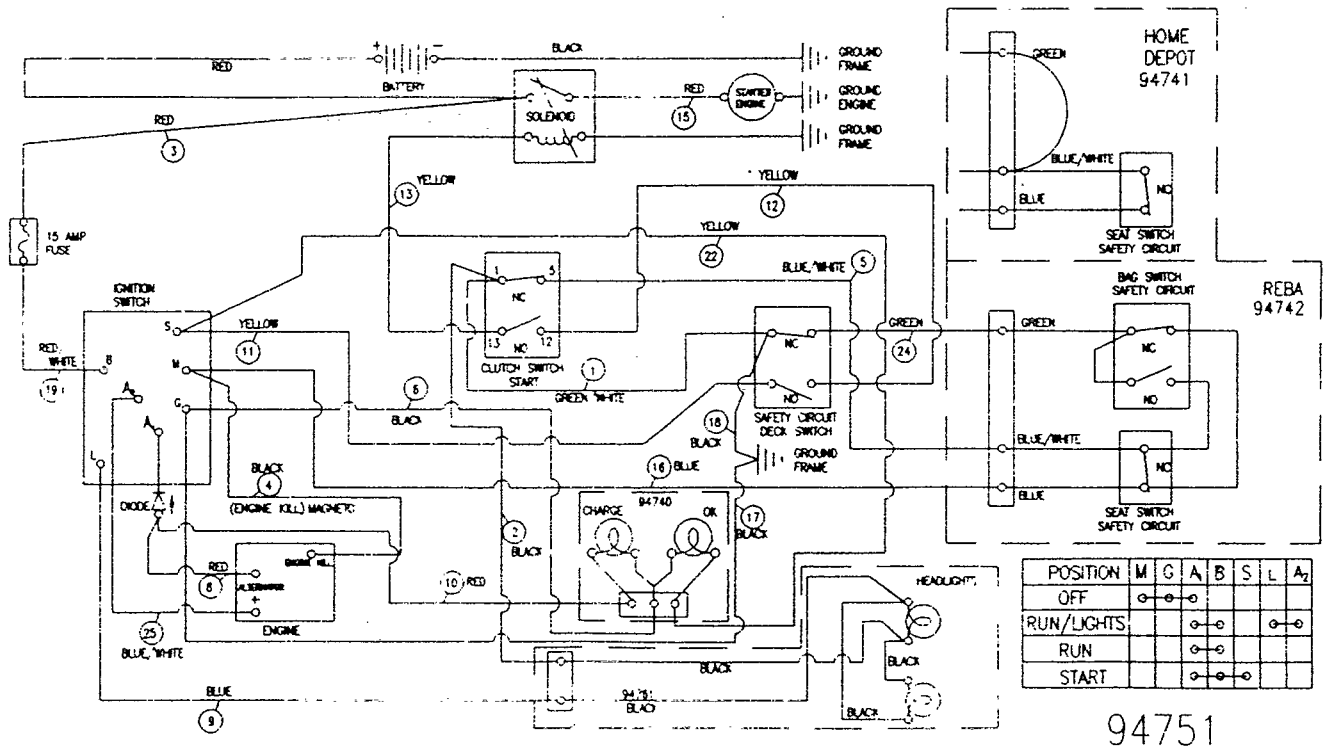
94601A

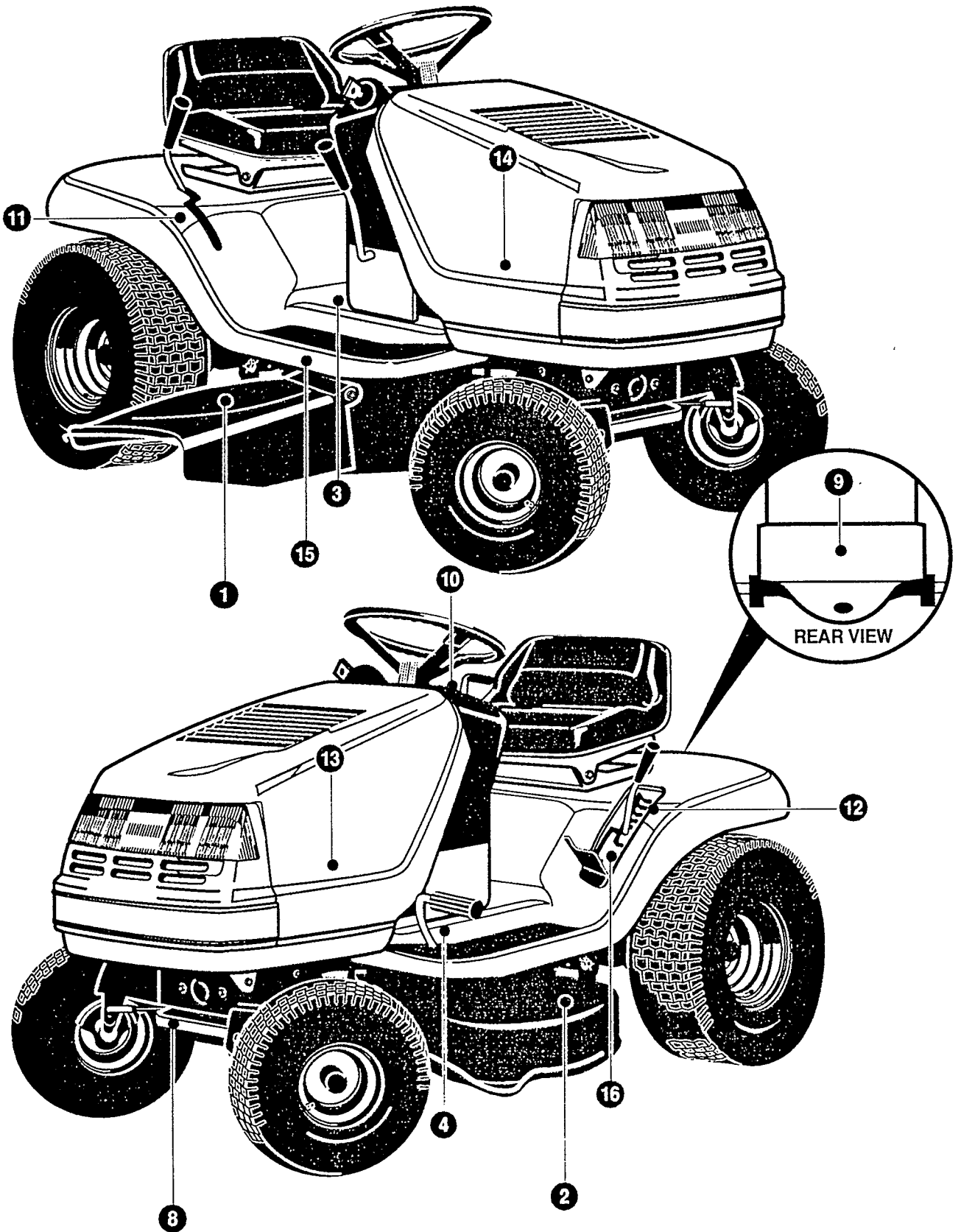
KEY#	PART #	DESCRIPTION	QTY
1	94060-853	38" MOWER DECK	1
2	94052	BRACKET,DECK LIFT RH	1
3	94054	BRACKET,DECK LIFT LH	1
4	57072	BOLT, 5/16-18X .63 CARRLN	6
5	710204	NUT,5/16-18 HEXWDFLLK WHIZ PL	6
6	91765	BRACKET, CHUTE ATTACH	1
7	57072	BOLT, 5/16-18X .63 CARRLN	2
8	710205	NUT, 5/16-18 WDFLLK (15X88)	2
9	91770	TOEGUARD, FLANGE 38" DECK	2
10	57072	BOLT, 5/16-18X .63 CARRLN	4
11	710205	NUT, 5/16-18 WDFLLK (15X88)	4
12	94062	BRACKET - 38" FRT DECK	1
13	57072	BOLT, 5/16-18X .63 CARRLN	4
14	710204	NUT,5/16-18 HEXWDFLLK WHIZ PL	4
15	94681	BRACKET, SUPPORT	1
16	57072	BOLT, 5/16-18X .63 CARRLN	1
17	710204	NUT,5/16-18 HEXWDFLLK WHIZ PL	1
18	710079	SCREW, 5/16-18X.75HHWATAPSGIBP	1



KEY #	PART #	DESCRIPTION	QTY
1	94751	HARNESS 12.5 B&S	1
2	94740	HARNESS ADAPTER,OK/CHARGE OIL	1
3	94741	WIRE HARNESS, REAR	1
4	303064	ASSY,LIGHT WIRE-1/4 TURN	1
5	52572	BULB, HEADLAMP	2
6	57444	TIE, CABLE BLACK NYLON 5.62L	5
7	41482	PRESS CLIP,1.380LG .255ID	2
8	94762	SWITCH, IGNITION DELTA 7 TERM	1
9	327350	KEY, IGNITION	1
11	57769	BULB, INDICATOR	2
12	94136	SWITCH LIMIT DELTA 6400-84 PTO	2
13	94613	SOLENOID	1
14	710133	SCREW,HHWATAP 1/4X.50 Z REV*BH	2
15	710203	NUT, 1/4-20 HEXNYL 15X116 BLKZ	2
16	710228	WIRE, GROUND (24X32) NLT	1
17	710133	SCREW,HHWATAP 1/4X.50 Z REV*BH	1
18	94159	SWITCH, SEAT	1
19	302257	BATTERY, 12 PLATE, 7 PLATE	1
20	710226	BOLT,1/4-20X.63CAR (2X82)	2
21	710225	NUT, WING 1/4-20 NC (14X79)	2

## SCHEMATIC WIRING





KEY #	PART #	DESCRIPTION	QTY
1	402701	DECAL, CAUTION DECK RH CUT HND	1
2	402700	DECAL, CAUTION DECK LH	1
3	338539	DECAL, CONS CAUT. (44X6140)	1
4	402702	DECAL, BRAKE/CLUTCH PICTOGRAM	1
8	338543	DECAL, HOT SURF WARN (44X5936)	1
9	338542	DECAL, DRAWBAR WARN (44X6138)	1
10	710615	DECAL, DASH CHOKE-A-MATIC	1
11	710519	DECAL, SHIFTER 5-SP	1
12	710520	DECAL, HEIGHT ADJUST	1
13	710571	DECAL, TEXAS PT125 LH	1
14	710570	DECAL, TEXAS PT125 RH	1
15	710523	DECAL, PINCH POINTS WARNING	2
16	710518	DECAL, DECK LEVEL POSITION	1