

REPAIR PARTS MANUAL 12 H.P. RIDING MOWER With 39" Mower Deck MODEL 3560-0450

ONE YEAR LIMITED WARRANTY

For one (1) year from date of purchase by the first consumer for residential use (thirty (30) days commercial use), NOMA Outdoor Products Incorporated warrants that it will replace free of charge, including labor, any original part of any NOMA Outdoor Products Incorporated product found to be defective by any authorized Service Dealer or the factory, except the battery which is warranted for ninety (90) days from date of purchase.

This warranty does not cover engine, transmission, transaxle or differential (these items are covered by their manufacturer's own warranty). This warranty does not cover parts that have failed due to normal wear or parts that have failed subject to misuse or abuse. Transportation of the unit or part to and from an authorized Service Dealer or factory is the responsibility of the owner.

A step by step explanation as to what procedure should be followed for this warranty is:

1. If a part becomes defective, contact the store where the unit was purchased for the name and address of the authorized Service Dealer nearest to you.
2. If you cannot locate an authorized Service Dealer, write Service Department of NOMA Outdoor Products Incorporated for the name and address of the authorized Service Dealer in your area or call the Service Department at 1-901-422-1690.
3. Return the defective product, along with proof of purchase to such authorized Service Dealer for replacement of any defective part where covered by this warranty.

There is no other express warranty. Implied warranties, including those of merchantability and fitness for a particular purpose are limited to one (1) year from date of purchase. Liability for incidental or consequential damages are excluded.

Some states do not allow limitations on how long an implied warranty lasts, so the above limitation may not apply to you. Some states do not allow the exclusion of incidental or consequential damages, so the above exclusion may not apply to you. This warranty gives you specific legal rights, and you may have other rights which vary from state to state.

NOMA Outdoor Products Incorporated

Caller 8000

Jackson, TN 38308-8000

UNIT PARTS AND SERVICE

This manual contains instructions for safety, assembly and maintenance. Read this manual carefully and completely so that you will know proper assembly, use and care of your unit. Also fill in and mail the registration card packed with the unit. For service other than covered in this manual, contact an authorized service dealer. A nationwide parts and service organization has been established to provide locally available parts and service. A list of authorized parts distributors has been included in this manual. When ordering repair parts, always give the following information: 1. The Part Name; 2. The Part Number; 3. The Quantity desired; 4. The Full (eight digit) Model Number of the unit. The model number will be found on a plate attached to the unit.



Look for this symbol. It means - ATTENTION! BECOME ALERT! A HAZARD TO OPERATOR, BYSTANDER, PROPERTY OR EQUIPMENT MAY EXIST.

NOMA Outdoor Products Incorporated
Caller 8000
Jackson, TN 38308-8000

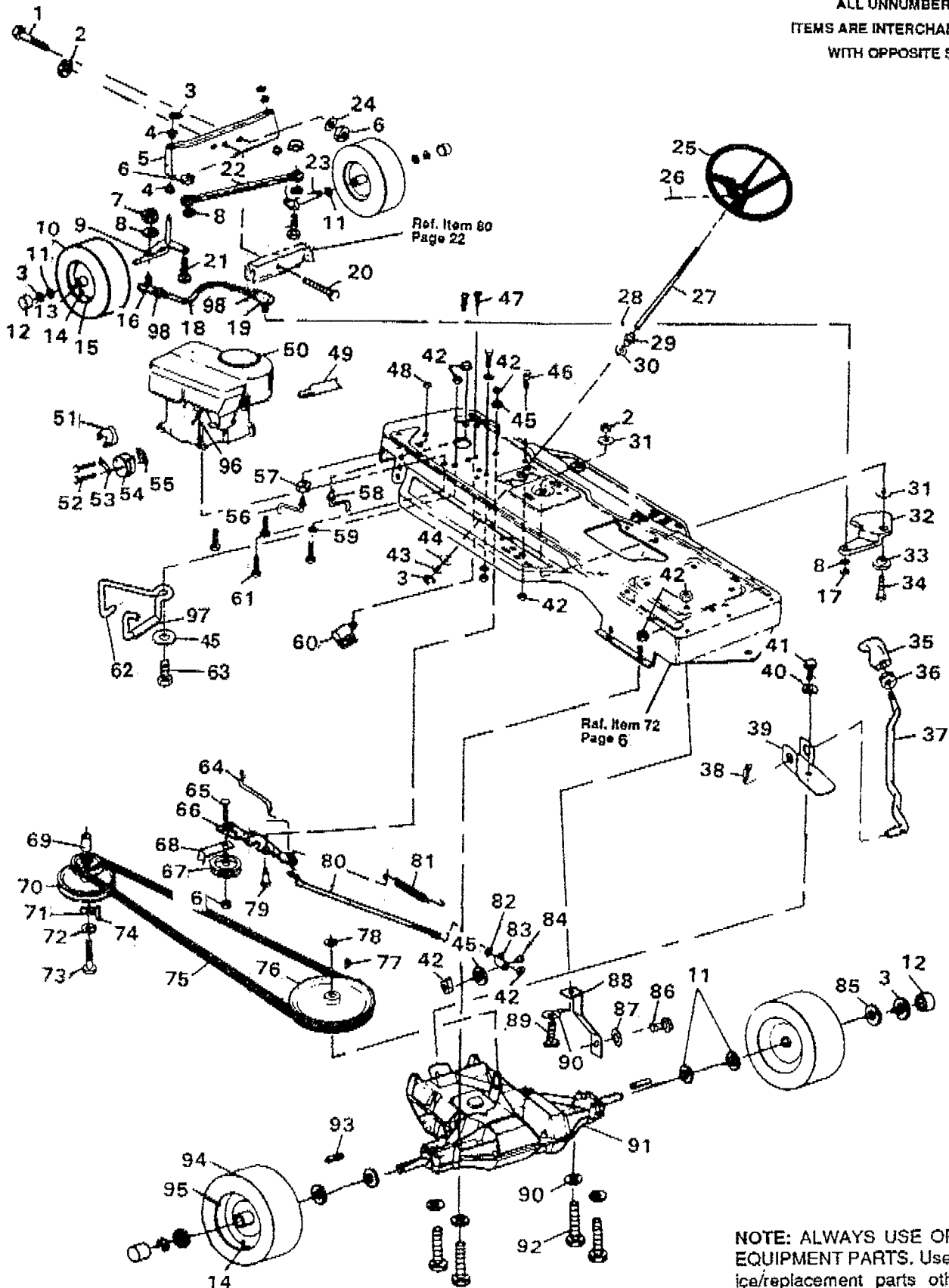
Part No. 309329

2689

REPAIR PARTS

39" RIDING MOWER MODEL 3560-0450

ALL UNNUMBERED
ITEMS ARE INTERCHANGEABLE
WITH OPPOSITE SIDE



NOTE: ALWAYS USE ORIGINAL
EQUIPMENT PARTS. Use of serv-
ice/replacement parts other than
original equipment parts may void
your warranty.

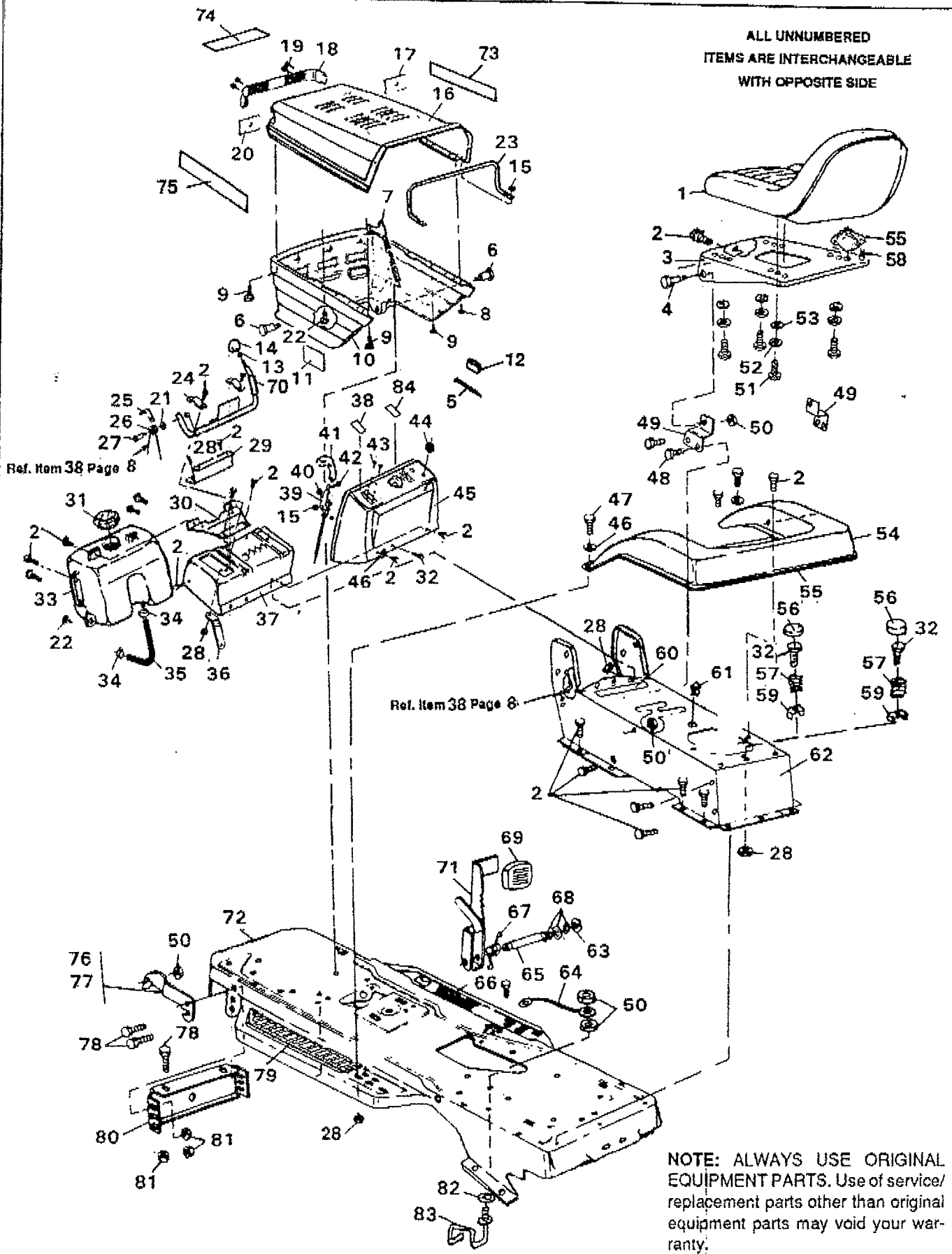
39" RIDING MOWER MODEL 3560-0450

Key No.	Part No.	Description	Key No.	Part No.	Description
1	122207	* Screw, Hx Hd, 3/8-16 x 3 In.	51	54767	Heat Shield, Muffler
2	1500	Locknut, 1/2-13 Thd.	52	173063	Screw, Hx Hd, 5/16-18 x 3-1/2 In.
3	36625	"E" Ring	53		Engine Part
4	52407	Bearing, Front Spindle	54	305367	Muffler
5	307387	Front Axle Assembly	55	46708	Gasket, Muffler
6	1499	Locknut, 3/8-16 Thd.	56	300635	Belt Guide
7	120369	* Nut, Hx, 3/8-24 Thd.	57	271190	* Nut, Keps, 3/8-16 Thd.
8	120382	* Lockwasher, Split, 3/8 In.	58	300440	Belt Guide
9	302925	Front Spindle Assembly, L. H.	59	138489	Star Washer
10	39472	Tire Assembly, Front	60	57476	Switch
11	642	Flatwasher, 3/4 In.	61	50947	Screw, Taptite, 3/8-17 x 1-1/4 In.
12	40394	Hub Cap	62	58356	Belt Guide
13	39979	Bearing, Front Wheels	63	180079	* Screw, Hx Hd, 5/16-18 x 1 In.
14	24167	Valve Stem	64	57204	Rod, Clutch
15	39829	Wheel w/Bearing, Front	65	45892	Carriage Bolt, Rd Hd, 3/8-16x1-1/2 In.
16	21275	Ball Joint	66	300154	Idler Arm
17	46692	* Nut, Hx, 3/8-24 Thd.	67	303031	Pulley, Idler
18	58291	Steering Link	68	39659	Belt Retainer
19	57158	Ball Joint	69	304246	Spacer
20	58246	Shoulder Bolt, Front Axle Pivot	70	58361	Pulley
21	180128	* Screw, Hx Hd, 3/8-16 x 1-3/4 In.	71	56431	Washer, Pilot
22	304590	Tie Rod Assembly	72	120383	* Lockwasher, Split, 7/16 In.
23	302926	Front Spindle Assembly, R. H.	74	228644	* Screw, Hx Hd, 7/16-20 x 5 In.
24	2483	Spring Washer	74	57791	Key
25	301251	Steering Wheel	75	57214	V-Belt
26	456378	* Roll Pin, 1/4 x 2 In.	76	302745	Pulley
27	58243	Shaft, Steering	77	3021	Key, Woodruff
28	58274	Pin, Dowel	78	22053	Retaining Ring
29	58244	Pinion, Steering	79	300793	Shoulder Bolt
30	301410	Bushing, Flanged	80	57203	Brake Rod
31	22265	Washer, 1/2 In.	81	56359	Spring, Clutch
32	58289	Sector Gear	82	271184	* Nut, Keps, 5/16-18 Thd.
33	52406	Eccentric	83	57217	Bracket, Brake Rod
34	180177	* Screw, Hx Hd, 1/2-13 x 1-1/2 In.	84	20507	Shoulder Bolt
35	304438	Knob, Gear Shift	85	42815	Flatwasher, 3/4 In.
36	120238	Jam Nut, 1/2-13 Thd.	86	35498	Screw, Taptite, 5/16-18 x 3/4 In.
37	57169	Shift Lever	87	120368	* Lockwasher, Split, 5/16 In.
38	137185	* Pin, Cotter, 1/8 x 1 In.	88	12632	Stabilizing Bracket
39	57480	Shift Bracket	89	122017	* Screw, Hx Hd, 5/16-18 x 1 In.
40	57157	Washer	90	120393	* Flatwasher, 11/32 In.
41	56255	Screw, Hx Hd, 1/4-20 x 3/4 In.	91	Transaxle	^ Peerless 5 speed, Model 920-019
42	1498	Locknut, 5/16-18 Thd.	92	180089	* Screw, Hx Hd, 5/16-18 x 2-3/4 In.
43	21682	Washer, 3/4 In.	93	39628	Key, 3/16 x 3/16 x 2-3/4 In.
44	301398	Washer	94	57164	Tire, Rear
45	45602	Washer, 5/16 In.	95	57166	Wheel, Rear
46	120229	* Screw, Hx Hd, 5/16-18 x 7/8 In.	96	302967	Speed Reducer
47	57220	Screw, Taptite	97	303278	Plastic Extrusion
48	124824	Jam Nut, 5/16 In.	98	124925	Nut, Jam 3/8-24
49	54873	Trough, Oil Drain	99	12529	Owner's Manual (Not Illus.) (Eng.)
50	Engine	- See Engine Manual	100	309329	Parts Manual

(*) Standard hardware items - May Be Purchased Locally.
 (~) Contact Engine Manufacturer's authorized service dealer (See Engine Manual) for parts and warranty.
 (^) Contact Tecumseh/Peerless authorized service dealer for parts and warranty.

REPAIR PARTS

39" RIDING MOWER MODEL 3560-0450



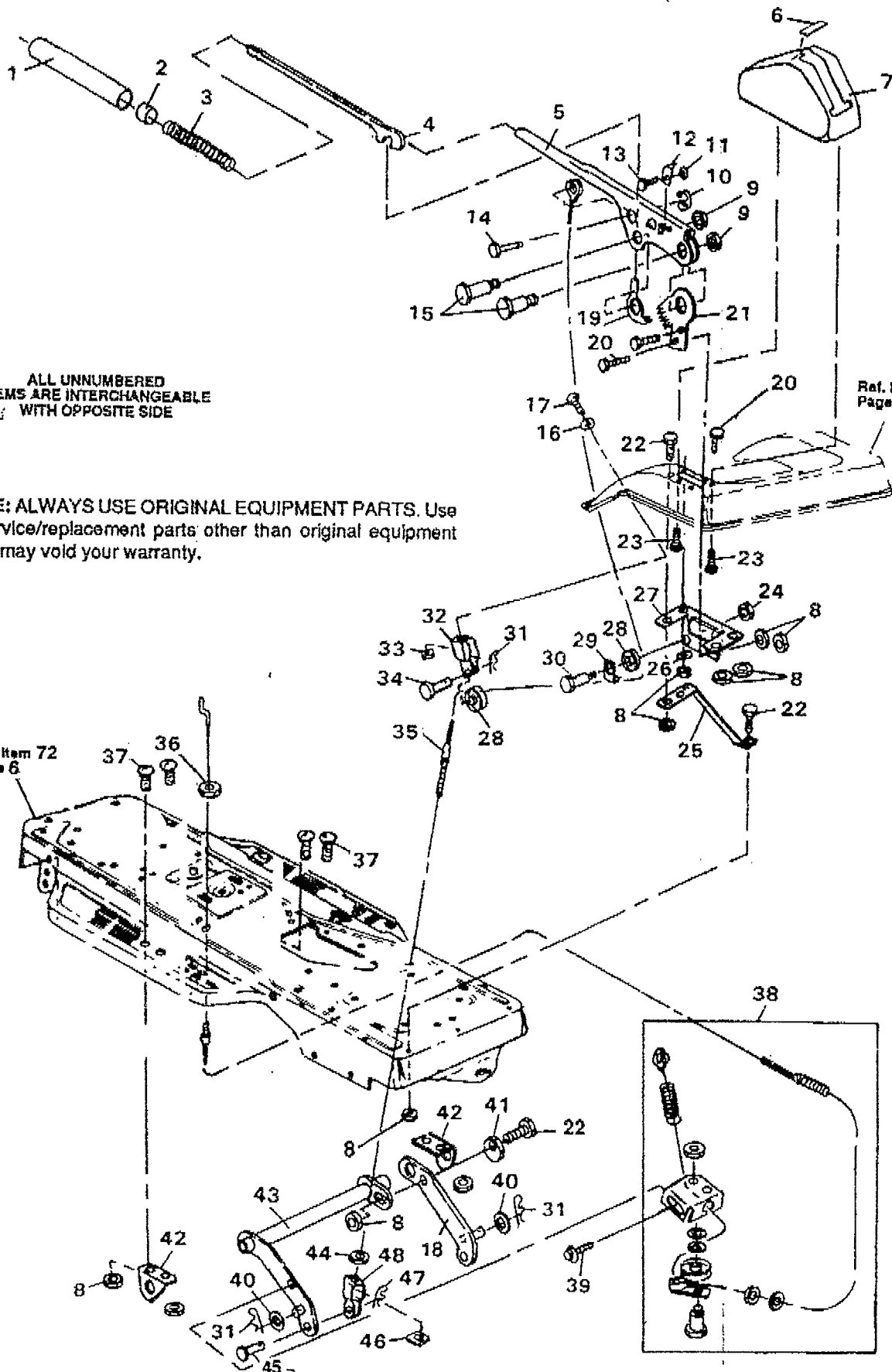
39" RIDING MOWER MODEL 3560-0450

Key No.	Part No.	Description	Key No.	Part No.	Description
1	304316	Seat	43	159943	Screw, Pan Hd, No. 10-24 x 5/8 In.
2	995346	Screw, Taptite, 1/4-20 x 1/2 In.	44	300194	Boot, Ignition Switch
3	307024	Mounting Bracket, Seat	45	300174	Dash, Plastic Cover
4	20507	Shoulder Bolt	46	120386	Flatwasher, 3/8 In.
5	57444	Wire, Tie	47	180022	Screw, Hex Hd, 5/16-18 x 1 In.
6	56676	Shoulder Bolt	48	120228	Screw, Hex Hd, 5/16-18 x 5/8 In.
7	57478	Spring, Hood	49	307366	Bracket, Support
8	301542	Screw, Hex Hd, No. 10-24 x 1 In.	50	1498	Locknut, 5/16-18 Thd.
9	300302	Screw, Taptite No. 10-24 x 1/2 In.	51	122007	Screw, Hex Hd, 5/16-18 x 3/4 In.
10	303037	Hood, Lower	52	120638	Lockwasher, Split, 5/16 In.
11	301452	Decal, Heat Reflector	53	120393	Flatwasher, 11/32 In.
12	41482	Press Clip	54	304930	Fender Assembly
13	120238	Jam Nut, 1/2-13 Thd.	55	57547	Seat Switch
14	304438	Knob	56	56907	Cover, Spring
15	271166	Locknut, No. 10-24 Thd.	57	57153	Spring, Seat
16	307035	Hood	58	160505	Screw, Pan Hd 1/4-20 x 3/8 In.
17	301540	Reflector, Headlight, R. H.	59	1341	Clamp, Seat Spring
18	302333	Lens, Headlight	60	57395	Decal, Caution
19	57796	Screw, Plastite, No. 6 x 1/2 In.	61	58277	Switch
20	301541	Reflector, Headlight, L.H.	62	307374	Console
21	120392	Flatwasher, 1/4 In.	63	20864	Retaining Ring
22	300303	Screw, Plastite, 1/4-20 x 3/4 In.	64	55511	Ground Wire
23	301425	Support, Hood	65	57196	Rod, Brake-Clutch
24	9129	Bracket, Retaining	66	12379	Foot Pad, R.H.
25	1288	Retainer, Cable	67	57847	Spring, Return
26	39298	Pulley	68	2968	Spacer
27	57322	Shoulder Bolt	69	48160	Pad Brake Pedal
28	1502	Locknut, 1/4-20 Thd.	70	9792	Clutch Handle Assembly
29	9197	Brace, Dash & Fuel Tank	71	300308	Brake Pedal Assembly
30	9744	Bracket, Fuel Tank	72	307388	Main Frame
31	300304	Cap, Fuel Tank	73	305604	Foam, Hood Top (2)
32	44811	Screw, Taptite, 1/4-20 x 3/4 In.	74	305602	Foam, Hood R.H.
33	303043	Fuel Tank	75	305603	Foam, Hood L. H.
34	41008	Clamp, Fuel Line	76	9784	Bracket, Grille, R. H.
35	47452	Tubing, Fuel Line	77	9785	Bracket, Grille, L. H.
36	9208	Brace, Dash	78	56030	Screw, Hex Hd, 5/16-18 x 3/4 In.
37	9132	Dash, Metal	79	12377	Foot Pad, L. H.
38	302049	Decal, Dash, L. H.	80	56361	Bracket, Axle Support
39	303159	Throttle Control	81	55273	Nut, Hex, 5/16-18 Thd.
40	120622	Nut, Hex, No. 8-32 Thd.	82	138538	Lockwasher, Internal Tooth
41	300508	Knob, Throttle Control	83	57259	Belt Guide
42	159585	Screw, Pan Hd, No. 8-32 x 3/8 In.	84	300445	Decal, Dash, R. H., 4 X 15 In.

(* Standard hardware items - May Be Purchased Locally.

REPAIR PARTS

39" RIDING MOWER MODEL 3560-0450



ALL UNNUMBERED
ITEMS ARE INTERCHANGEABLE
WITH OPPOSITE SIDE

NOTE: ALWAYS USE ORIGINAL EQUIPMENT PARTS. Use
of service/replacement parts other than original equipment
parts may void your warranty.

39" RIDING MOWER MODEL 3560-0450

Key No.	Part No.	Description
1	58329	Hand Grip, Height Adjust Lever
2	58325	Knob, Height Adjust Lever
3	58326	Spring, Height Adjust Lever
4	303027	Actuator Rod, Height Adjust Lever
5	9788	Lever, Height Adjust
6	301897	Decal, Height Adjust
7	300335	Cover, Height Adjust Lever
8	1498	Locknut, Hex, 5/16-18 Thd.
9	44108	Wide Flange Locknut, 5/16-18 Thd.
10	300311	"E" Ring
11	138479	Lockwasher, Ext. Lock
12	9435	Pointer, Height Adjust Lever
13	35287	Screw, Hex Wa Hd, No. 8-32 x 3/4 In.
14	300310	Pin, Clevis
15	300171	Shoulder Bolt
16	301551	Washer, Curved, 1 1/32 In.
17	439455	Screw, Pan Hd, 5/16-18 x 9/16 In.
18	9186	Link Assembly, Right Side
19	301239	Pawl Assembly
20	180077	* Screw, Hex Hd, 5/16-18 x 3/4 In.
21	301238	Quadrant Assembly
22	180079	* Screw, Hex Hd, 5/16-18 x 1 In.

Key No.	Part No.	Description
23	300302	Screw, #10 x 1/2 In.
24	1502	Locknut, Hex, 1/4-20 Thd.
25	307367	Brace, Fender
26	45602	Spacer Washer
27	58333	Bracket, Support, Height Adjust Lever
28	39298	Pulley
29	9149	Bracket, Retainer
30	58336	Shoulder Bolt
31	8260	Hair Pin Cotter
32	9239	Clevis
33	120373	Nut, Square, 5/16-18 Thd.
34	300317	Pin, Clevis
35	300341	Cable, Deck Lift
36	120613	* Nut, Hex, 1/4-28 Thd.
37	126211	* Carriage Bolt, 5/16-18 x 5/8 In.
38	301491	Cable Assy, Blade Engage/Disengage
39	35498	Screw, Taptite, 5/16-18 x 3/4 In.
40	120396	* Flatwasher, 17/32 In.
41	58247	Nut, Adjusting
42	9117	Bracket, Rear Hanger
43	9185	Rear Lift Assembly
44	120375	* Nut, Hex, 1/4-20 Thd.
45	39522	Clevis, Pin
46	120372	* Nut, Square, 1/4-20 Thd.
47	121222	* Cotter Pin, 3/32 x 3/4 In.
48	9405	Rear Clevis, Lift Cable

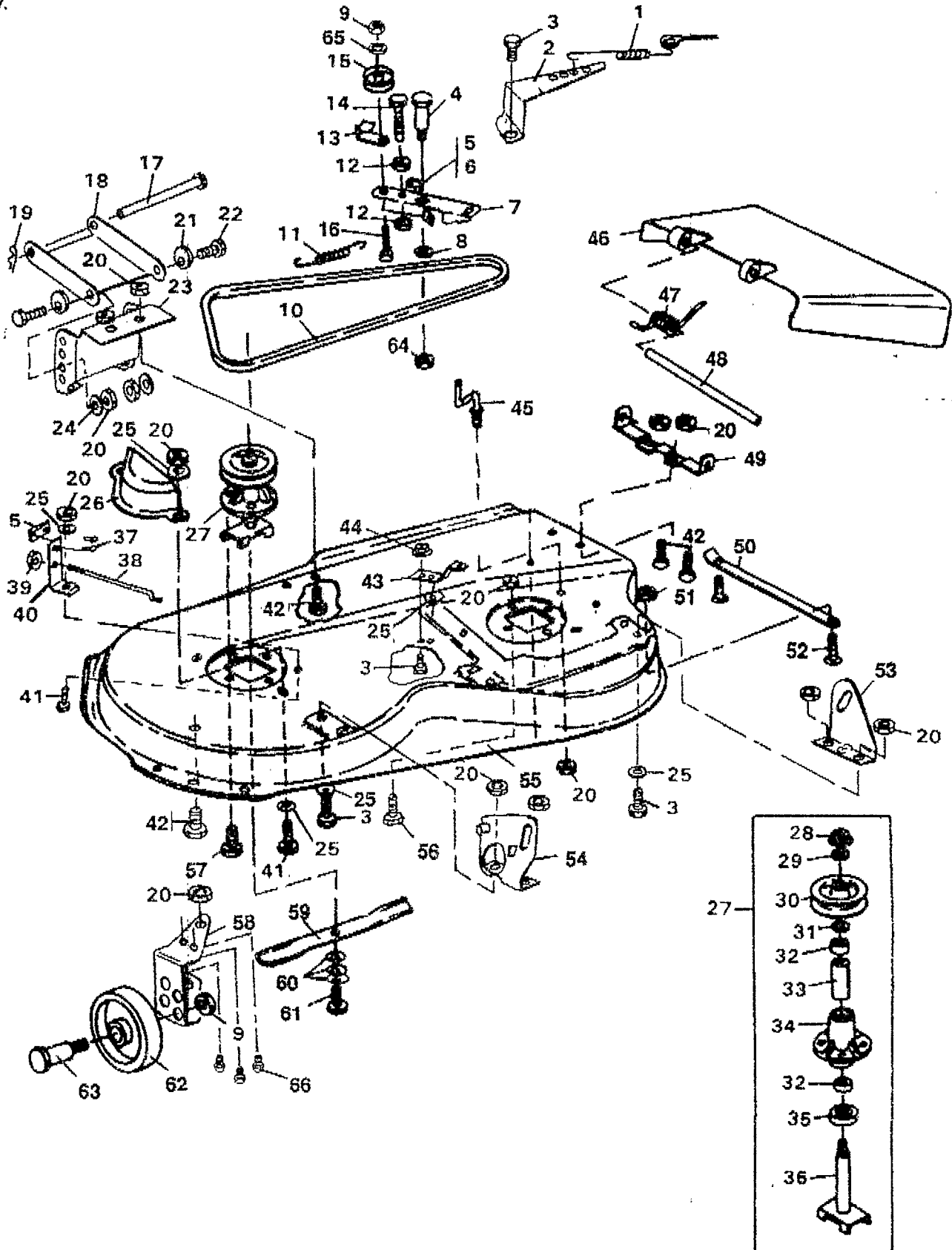
(*) Standard hardware items - May Be Purchased Locally.

REPAIR PARTS

39" RIDING MOWER MODEL 3560-0450

NOTE: ALWAYS USE ORIGINAL EQUIPMENT PARTS. Use of service/replacement parts other than original equipment parts may void your warranty.

ALL UNNUMBERED ITEMS ARE INTERCHANGEABLE WITH OPPOSITE SIDE



39" RIDING MOWER MODEL 3560-0450

Key No.	Part No.	Description
1	300473	Spring
2	9401	Extension, Idler Arm
3	180077	* Screw, Hex Hd, 5/16-18 x 3/4 In.
4	300180	Shoulder Bolt
5	306973	Brake Pad
6	41601	Rivet, Brake Pad
7	300491	Idler Arm Assy (Incl. Nos. 5 & 6)
8	996416	* Flatwasher, 3/8 In.
9	1499	Locknut, 3/8-16 Thd.
10	300680	V-Belt
11	35410	Spring
12	271172	* Nut, Keps, 1/4-20 Thd.
13	1346	Retainer, Belt
14	121954	* Screw, Hex Hd, 1/4-20 x 2 In.
15	303030	Pulley, Idler
16	57325	Carriage Bolt, 3/8-16 x 2 In.
17	58306	Rod, Deck Hitch
18	58305	Bracket, Deck Front
19	8260	Hair Pin Cotter
20	1498	Locknut, 5/16-18 Thd.
21	58247	Nut, Adjusting
22	122017	* Screw, Hex Hd, 5/16-18 x 1 In.
23	58315	Lift Support Plate
24	35214	Flatwasher, 21/64 In.
25	120393	* Flatwasher, 11/32 In.
26	302833	Belt Guard, L.H. Pulley
27	56424	Quill Assembly (Incl. Nos. 28-36)
28	1282	Locknut, Flange
29	56365	Flatwasher
30	56390	Pulley

Key No.	Part No.	Description
31	51449	Spacer
32	49562	Bearing
33	50818	Spacer Tube
34	55547	Quill
35	50616	Dust Shield
36	56425	Saddle & Shaft Assembly
37	135624	Rivet, Brake Pad
38	300316	Rod, Brake Release
39	1502	Locknut, 1/4-20 Thd.
40	303247	Blade Bracket Assy (Incl. 5 & 37)
41	120228	* Screw, Hex Hd, 5/16-18 x 5/8 In.
42	120834	* Screw, Hex Hd, 5/16-18 x 1/2 In.
43	300179	Bracket, Idler
44	44108	Nut, Hex, Wide Flange, 5/16-18 Thd.
45	57318	Retainer, Belt
46	57818	Discharge Chute
47	55767	Spring, Discharge Chute
48	57317	Rod Pivot
49	57360	Bracket, Pivot
50	57314	Skid Bar
51	271184	* Nut, Keps, 5/16-18 Thd.
52	126216	* Carriage Bolt, 5/16-18 x 3/4 In.
53	58250	Bracket, Lift, R.H.
54	58251	Bracket, Lift, L.H.
55	305487	Mower Deck
56	300345	Screw, Taptite, 5/16-18 x 1 3/8 In.
57	50634	Screw, Taptite, 5/16-18 x 7/8 In.
58	300103	Bracket, Wheel Mount
59	57299	Blade
60	2483	Formed Washer
61	39573	Screw, Hex Hd, 3/8-24 x 1 In.
62	52584	Wheel, Deck
63	23763	Wheel Axle
64	45171	Locknut, Flange
65	120382	Split Lockwasher, 25/64 In.
66	180075	Screw, 5/16-18 x 1/2 In.

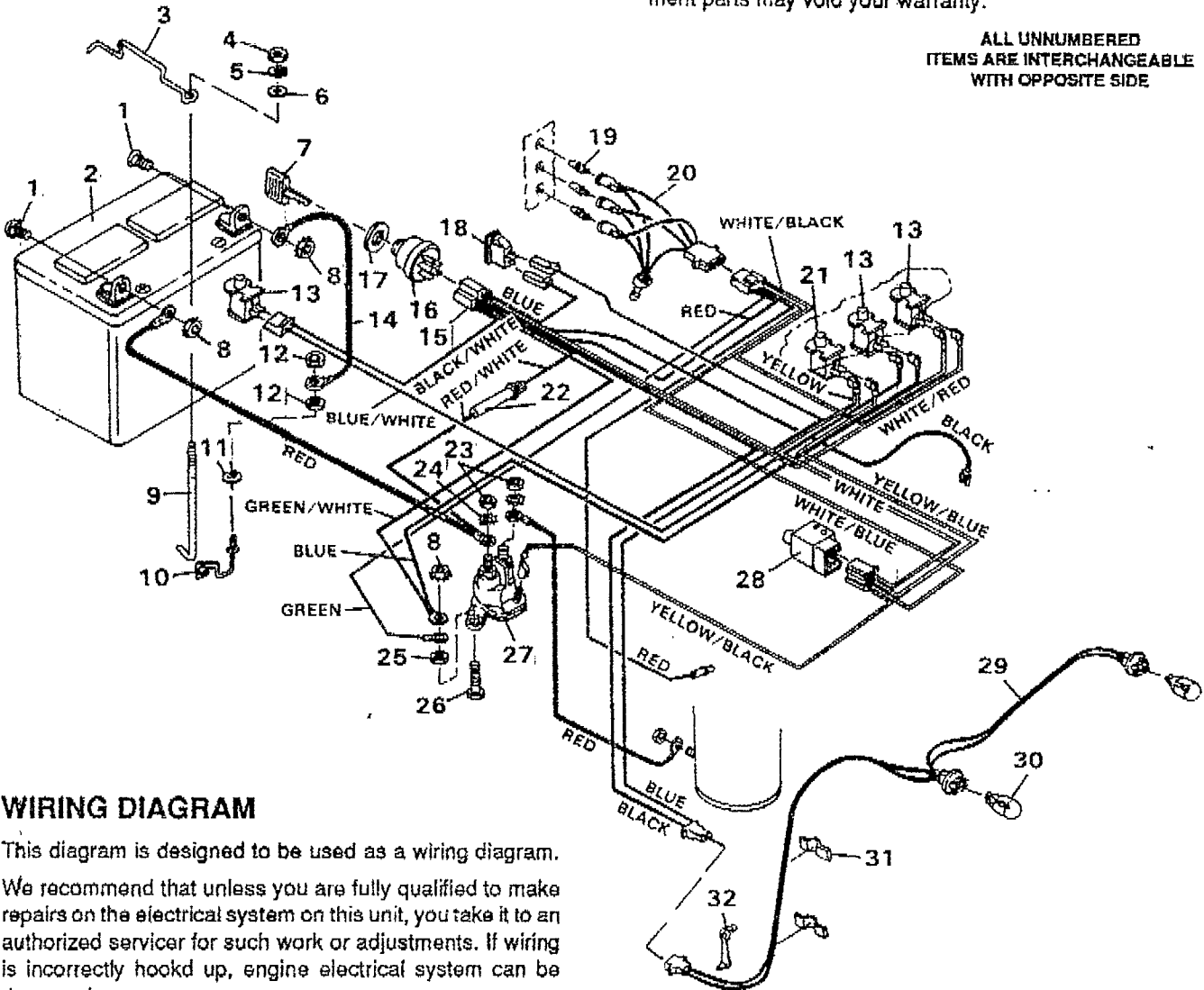
(* Standard Hardware Items - May Be Purchased Locally.

REPAIR PARTS

39" RIDING MOWER MODEL 3560-0450

NOTE: ALWAYS USE ORIGINAL EQUIPMENT PARTS. Use of service/replacement parts other than original equipment parts may void your warranty.

ALL UNNUMBERED ITEMS ARE INTERCHANGEABLE WITH OPPOSITE SIDE



WIRING DIAGRAM

This diagram is designed to be used as a wiring diagram.

We recommend that unless you are fully qualified to make repairs on the electrical system on this unit, you take it to an authorized servicer for such work or adjustments. If wiring is incorrectly hooked up, engine electrical system can be damaged.

Key No.	Part No.	Description
1	120854	Screw, Hex Hd, 1/4-20 x 5/8 In.
2	302257	Battery
3	57552	Bracket, Battery Hold-Down
4	120375	* Nut, Hex, 1/4-20 Thd.
5	120380	Lockwasher, Split
6	120392	* Flatwasher, 9/32 In.
7	300626	Key, Ignition Switch
8	271172	* Keps Nut, 1/4-20 Thd.
9	57551	Rod, Battery Hold-Down
10	57259	Belt Guide
11	138538	Lockwasher, Internal Tooth
12	1498	* Locknut, Hex, 5/16-18 Thd.
13	58277	Switch, Interlock System
14	55511	Ground Wire
15	300331	Wire Harness Assembly
16	300295	Switch, Ignition
17	300193	Nut, Plastic, Ignition Switch

Key No.	Part No.	Description
18	300334	Switch, Headlight
19	57769	Bulb, Indicator
20	300965	Wire Harness Assy, Indicator Light
21	300220	Switch, No Start
22	302031	Fuse
23	120368	* Nut, Hex, 5/16-24 Thd.
24	138485	Lockwasher, External Lock
25	1502	Locknut, Hex, 1/4-20 Thd.
26	187745	* Screw, Hex Hd, 1/4-20 x 3/4 In.
27	53716	Solenoid
28	57476	Switch, Clutch Interlock
29	303064	Harness, Headlight
30	52572	Bulb, Headlight
31	41482	Retainer, Harness, Press-On
32	54888	Retainer, Harness

(* Standard Hardware Items - May Be Purchased Locally.)