

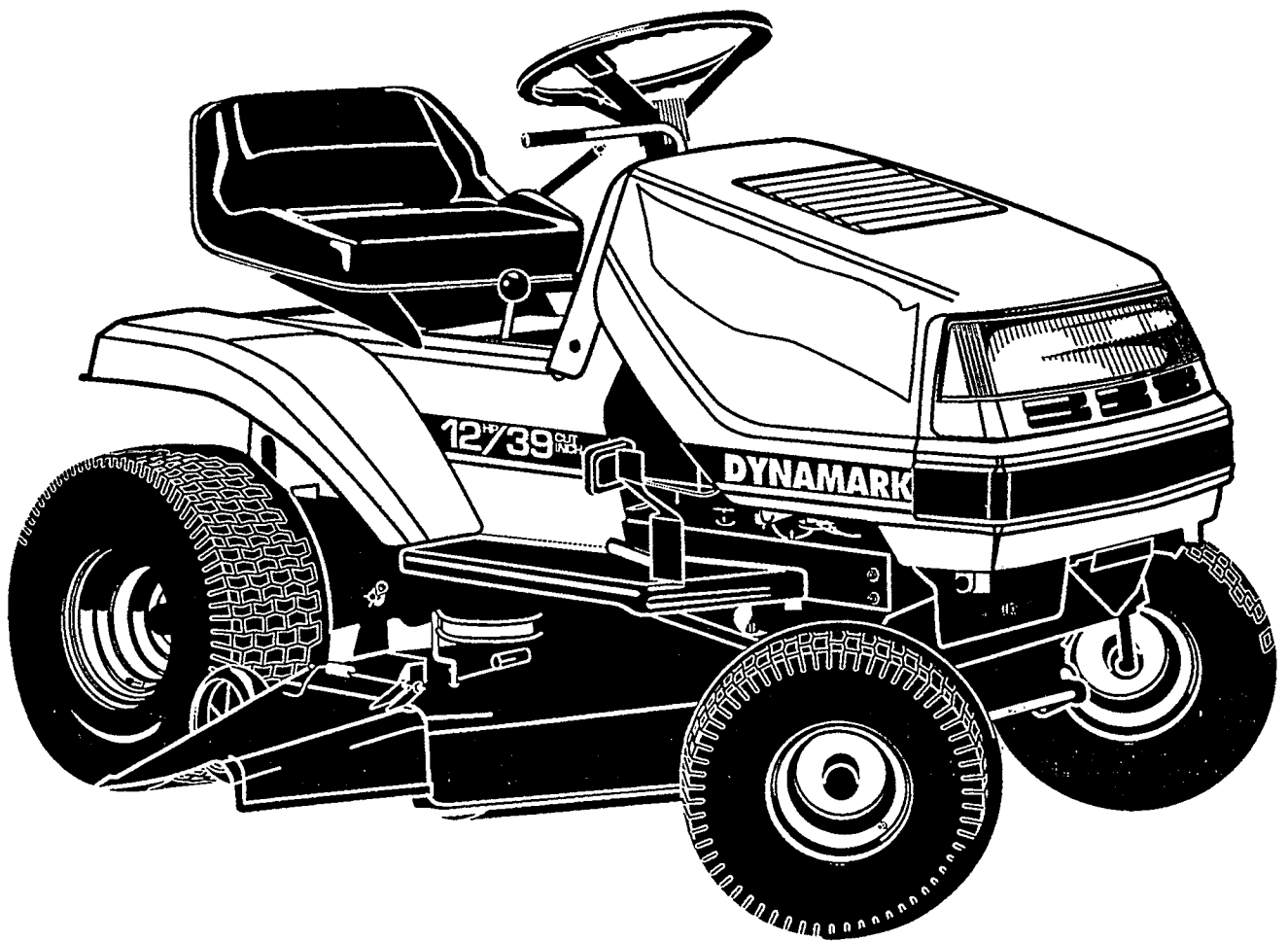
DYNAMARK

Solgt som 1238

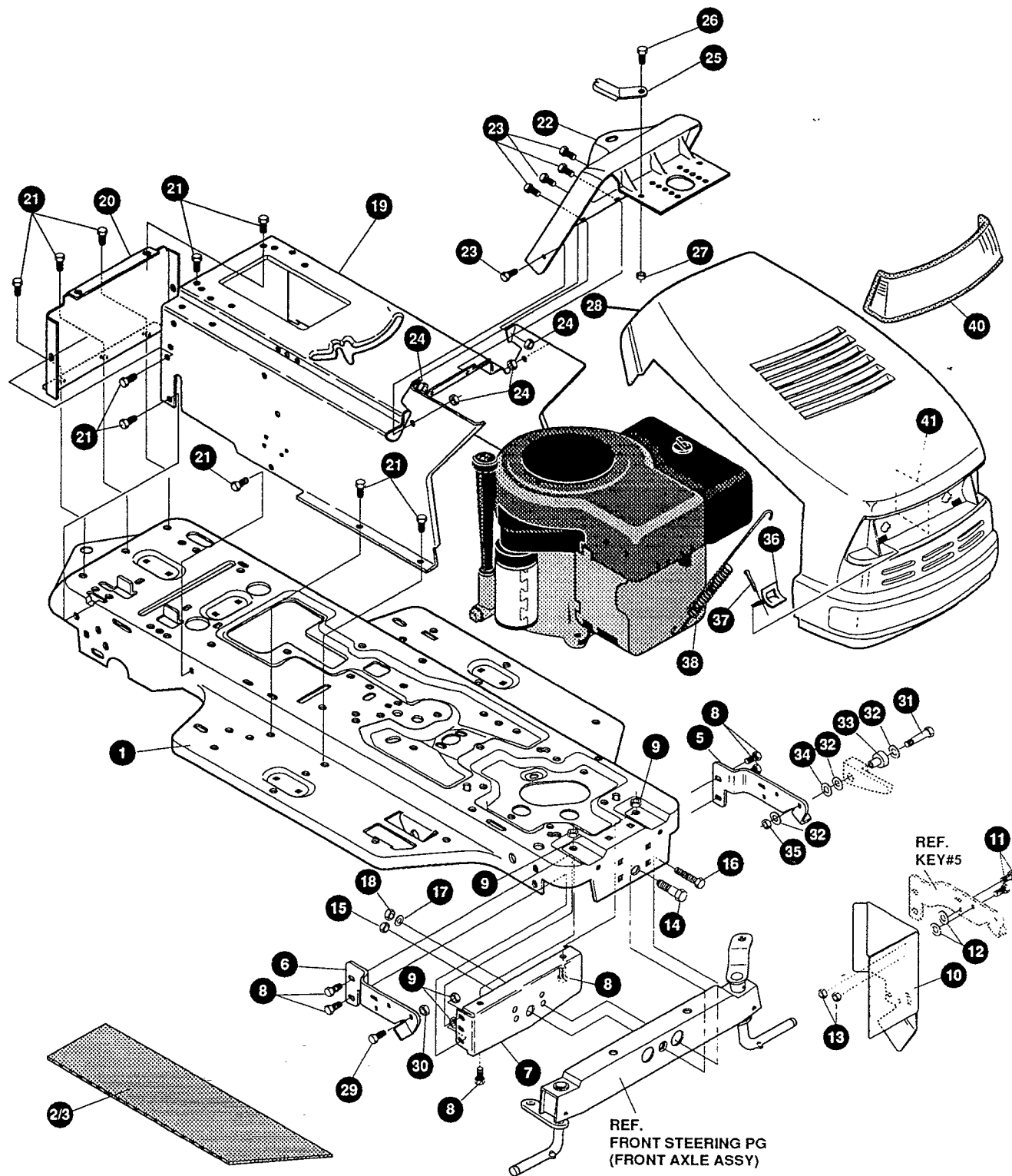
PARTS MANUAL

1994, Red.

Lawn Tractors



Model E3912-030



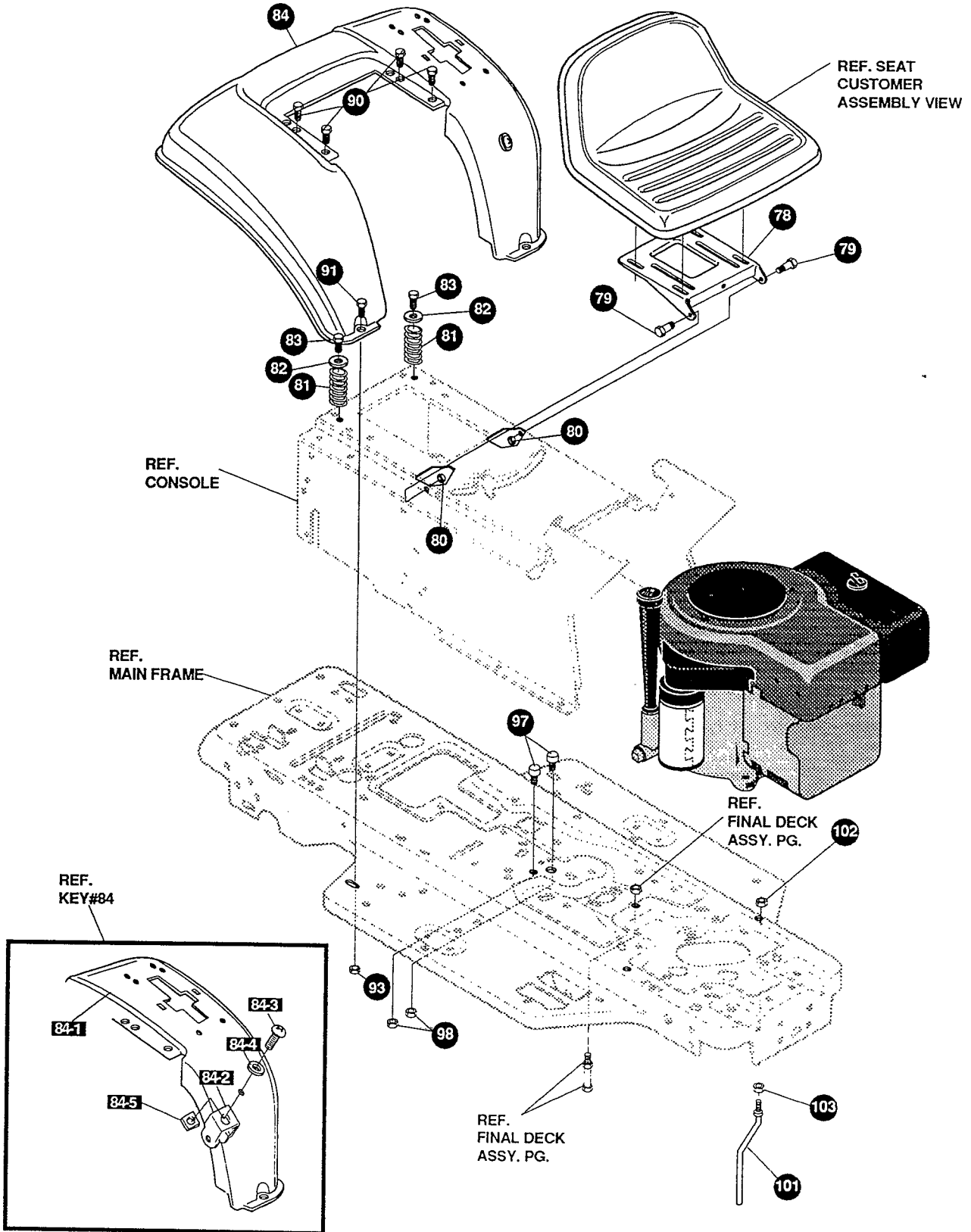
NOTE: ALWAYS USE ORIGINAL EQUIPMENT PARTS. Use of service/replacement parts other than original equipment parts may void your warranty.

ALL UNNUMBERED ITEMS ARE INTERCHANGEABLE WITH OPPOSITE SIDE

331670 A

E3912-030**CHASSIS & HOOD ASSEMBLY**

KEY#	PART#	DESCRIPTION	QTY
1	331173-853	FRAME,MAIN SF RIDER	1
2	331834	FOOT PAD, RH SF, FULL WIDTH	1
3	331835	FOOT PAD, LH SF, FULL WIDTH	1
5	313001-853	BRACKET, GRILLE SUPPORT LH	1
6	313002-853	BRACKET, GRILLE RH	1
7	56362-853	BRKT,SUPPORT,FRONT AXLE-SF	1
8	328154	SCREW, 5/16-18X1.0WDFLLK	6
9	55273	NUT, 5/16-18 HXWDFLLK	6
10	312908	SHIELD,HEAT 11&12BS&TEC SF	1
11	180020	SCREW, 1/4-20X .75 HHC	2
12	311245	WASHER,FLAT.250X .75X INSULATE	2
13	1502	NUT, 1/4-20 REGHEXCTRLK	2
14	29616	BOLT, .625X1.890 HSSH 1/2-20	1
15	274654	NUT, 1/2-20 REGHXCTRLK	1
16	180138	SCREW, 3/8-16X3.00 HHC	2
17	2483	WASHER, .39IDX1.25DX.07 BELLVIL	2
18	1499	NUT, 3/8-16 REGHXCTRLK	2
19	331796-860	CONSOLE,SF NOMA DASH	1
20	56235-860	CONSOLE, REAR COVER	1
21	995346	SCREW, 1/4-20X .50 WAHHTAP	15
22	320466-860	DASH,SF NOMA DYNA STYLING	1
23	995338	SCREW, 1/4-20X .63 WAHHTAP	6
24	50352	NUT, 1/4-20 WDFLLK TOPLOCK	4
25	313021-853	GUIDE,HOOD SF&LF H13,H14,H15	2
26	180018	SCREW, 1/4-20X .62 HHC	2
27	51335	NUT, 1/4-20 WDFLWHIZ-LK	2
28	12506	HOOD,NOMA SMALL H-13 GREY 861	1
29	56676	BOLT, .375X .580 HSSH 5/16-18	1
30	1498	NUT, 5/16-18 REGHEXCTRLK	1
31	180037	SCREW, 1/4-20X1.63 HHC	1
32	120392	WASHER, FLAT .281X .63X.065	3
33	309532	BEARING FLANGED PLASTIC HOOD	1
34	311245	WASHER,FLAT.250X .75X INSULATE	1
35	1502	NUT, 1/4-20 REGHEXCTRLK	1
36	310801	ANCHOR, HOODLANYARD	1
37	121222	PIN, COTTER .090 DIAX .75LG	1
38	304784	SPRING, HOOD LATCH	1
40	302670	LENS,HEADLAMP DYNA HOODS	1
41	301452	FOIL, HEAT REFLECTOR	1
42	332781	PARTS MANUAL	1
43	331994	OPERATOR'S MANUAL	1



NOTE: ALWAYS USE ORIGINAL EQUIPMENT PARTS. Use of service/replacement parts other than original equipment parts may void your warranty.

ALL UNNUMBERED ITEMS ARE INTERCHANGEABLE WITH OPPOSITE SIDE

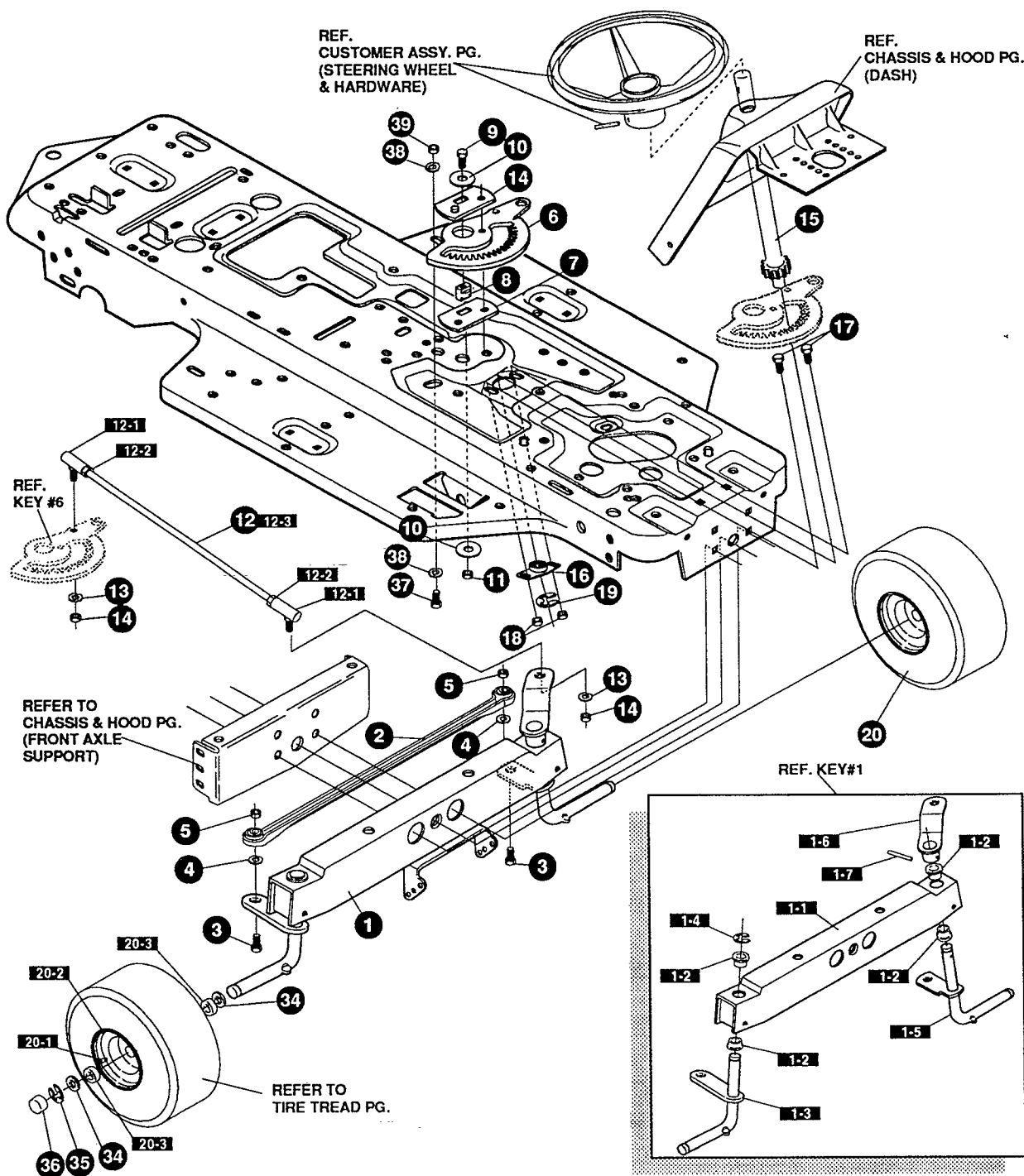
E3912-030**CHASSIS & HOOD ASSEMBLY**

KEY#	PART#	DESCRIPTION	QTY
78	331535-853	PLATE,SEAT F5 SF/LF QUICK	1
79	20507	BOLT, .437X .156 HSH 5/16-18	2
80	1498	NUT, 5/16-18 REGHEXCTRLK	2
81	330463	SPRING, SEAT 1.50DX2.25LG	2
82	120392	WASHER, FLAT .281X .63X.065	2
83	995346	SCREW, 1/4-20X .50 WAHTAP	2
84	^	ASM FENDER F-5 SF SOC/LOF	1
84-1	33242-860	FENDER, F-5 SF S.O.C/L.O.F.	1
84-2	9239	CLEVIS	1
84-3	439455	SCREW, 5/16-18X .56PHPNMA BKPH	1
84-4	301551	WASHER, .344IDX1.50DX.09 CU ZN	1
84-5	120373	NUT, 5/16-18 SQ	1
90	995346	SCREW, 1/4-20X .50 WAHTAP	4
91	126216	BOLT, 5/16-18X .75 CARRLN	2
93	55273	NUT, 5/16-18 HXWDFLLK	2
97	53446	PIN, 5/16-18 HOOD LATCH	2
98	271184	NUT, 5/16-18 HEXKEPS	2
101	50653	GUIDE, BELT	1
102	41529	NUT, 3/8-16 HXCTRLKJAM GRD B,Z	1
103	271190	NUT, 3/8-16 HEXKEPS	1

^ ORDER INDIVIDUAL PARTS.

E3912-030

REPAIR PARTS



NOTE: ALWAYS USE ORIGINAL EQUIPMENT PARTS. Use of service/replacement parts other than original equipment parts may void your warranty.

ALL UNNUMBERED ITEMS ARE INTERCHANGEABLE WITH OPPOSITE SIDE

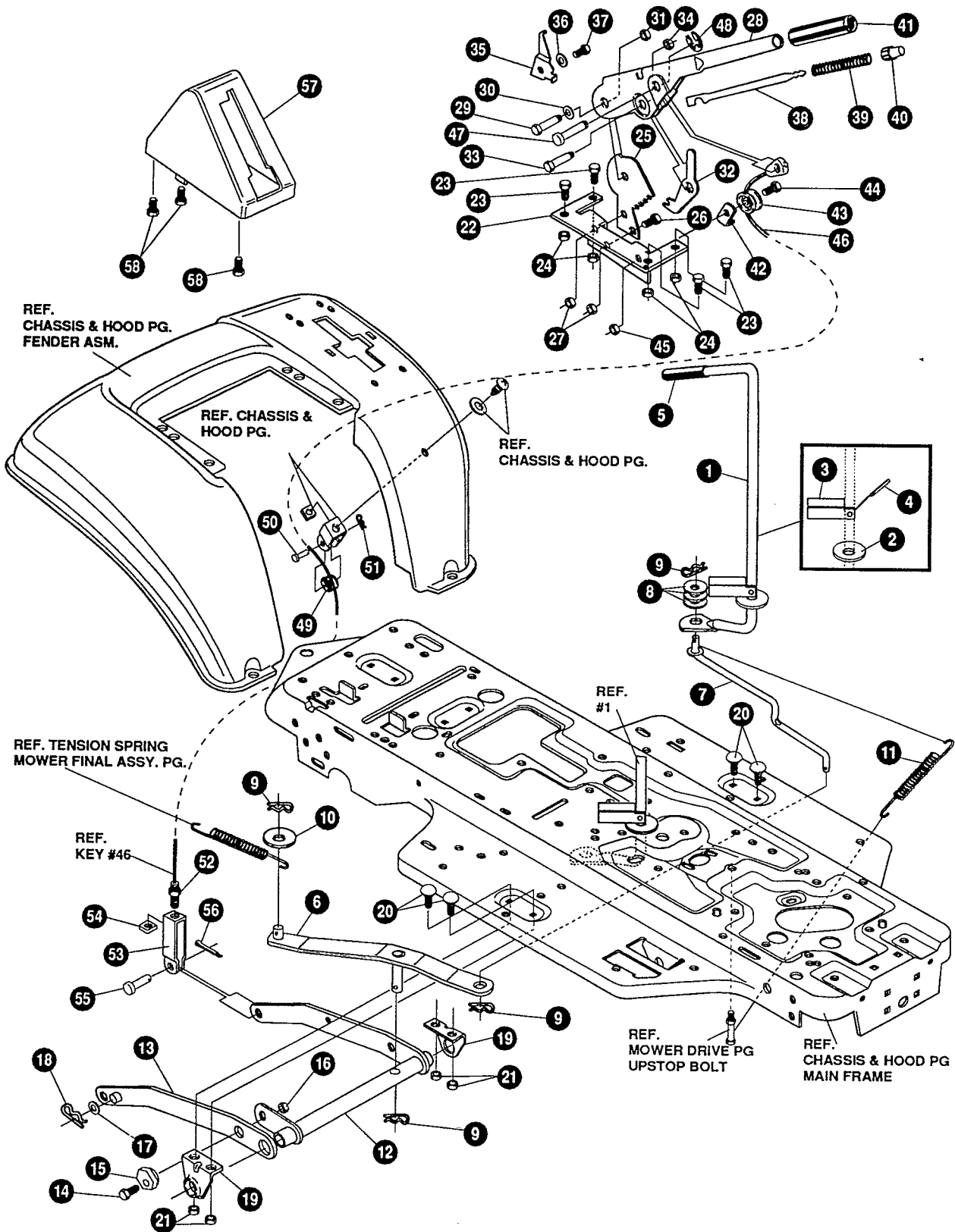
324972 H

E3912-030

STEERING ASSEMBLY

KEY#	PART#	DESCRIPTION	QTY
1	^	AXLE FRONT ASSY, SF LONG	1
1-1	324915-853	ASSY FRONT AXLE	1
1-2	50546	BRNG, FL .759IDX1.002ODX .75	4
1-3	310368	SPINDLE,ASSY,RH LONG SF	1
1-4	36625	RING, RETEX .57X.05TRU5133-75	1
1-5	310367	SPINDLE,ASSY,LH LONG SF	1
1-6	327619-853	ARM ASSY SF 4WS FRNT STRNG	1
1-7	454565	PIN, SPRING.250DIA X1.25LG HV	1
2	302688	ASSY,TIE ROD 19.31.LG	1
3	180124	SCREW, 3/8-16X1.25 HHC	2
4	120382	WASHER, REGSPTLK.393X.68X.10	2
5	1499	NUT, 3/8-16 REGHXCTRLK	2
6	324752	GEAR, SECTOR SF4WS	1
7	333289	PLATE SECT SF 4WS BLK	2
8	330021	BUSHING, SECTOR GEAR SF 4WS	1
9	181643	SCREW, 3/8-24X1.50 HHC	1
10	845	WASHER, FLAT .390X1.25X.119	2
11	412349	NUT, 3/8-24 HXCTRLK	1
12	328808	DRAG LINK ASSY 17.69LG	1
12-1	57158	BALL JOINT 3/8 THD SHORT STUD	2
12-2	124925	NUT, 3/8-24 REGHEXJAM	2
12-3	56190	DRAG LINK	1
13	120382	WASHER, REGSPTLK.393X.68X.10	2
14	120369	NUT, 3/8-24 REGHEX	2
15	327834	SHAFT, PIN-STEER BLK	1
16	325692	BRNG, FL .50 IDX1.370ODX	1
17	326505	SCREW 1/4-20X.75 (TQ 30-35 #)	2
18	46931	NUT, 1/4-20 WDFL MAC-LOCK	2
19	20864	RING, RET E .39X.04TRU5133-50	1
20	302828	TIRE & RIM, PU 15X6.0X6 TURWHI	2
20-1	24167	VALUE STEM	
20-2	39829	HUB	
20-3	311416	BEARING	
		TIRE - SEE TIRE TREAD PAGE	
34	642	WASHER, FLAT .755X1.31X.075	4
35	36625	RING, RETEX .57X.05TRU5133-75	2
36	40394	HUB CAP, 1.500ID X 7/8LG	2
37	180124	SCREW, 3/8-16X1.25 HHC	1
38	120394	WASHER, FLAT .406X .81X.065	2
39	45171	NUT, 3/8-16 HWDFL WHIZ-LOCK	1

^ORDER INDIVIDUAL PARTS

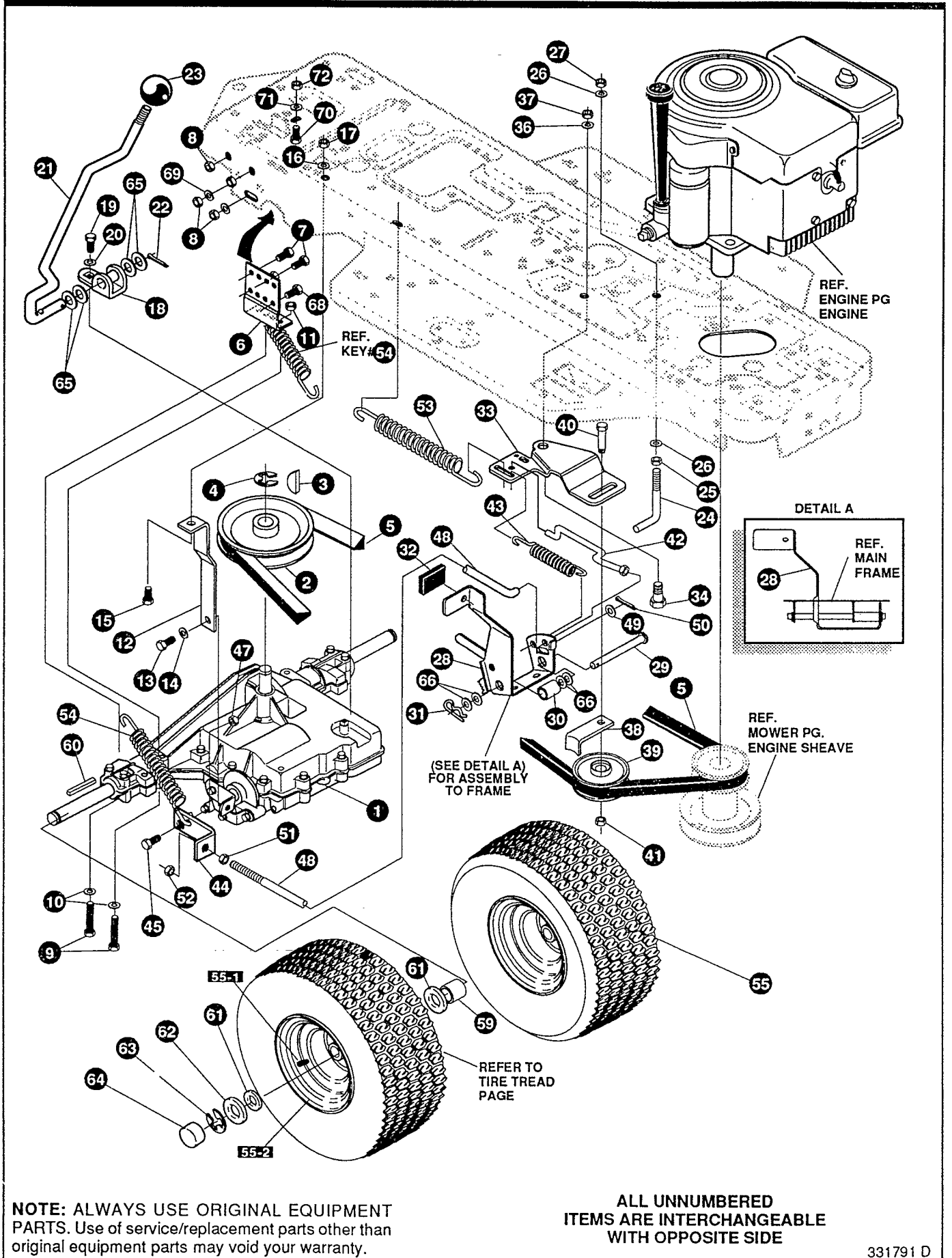


NOTE: ALWAYS USE ORIGINAL EQUIPMENT PARTS. Use of service/replacement parts other than original equipment parts may void your warranty.

ALL UNNUMBERED ITEMS ARE INTERCHANGEABLE WITH OPPOSITE SIDE

E3912-030**MOWER SUSPENSION ASSEMBLY**

KEY#	PART#	DESCRIPTION	QTY
1	325591	LEVER,CLUTCH RH PTO	1
2	22265	WASHER, FLAT .515X1.38X.119	1
3	305225	STOP, PTO ENGAGE	1
4	326386	PIN, SPRING.187DIA X1.13LG HD	1
5	57571-853	KNOB, ROUND 1.50DIA OR GRIP	1
6	325587	STRAP ASSY, PTO BELCRANK	1
7	325590	ROD, BELCRANK LINK	1
8	274517	WASHER, FLAT .406X .73X.063	3
9	8260	PIN, HAIR .091 DIA X1.66LG	4
10	25210	WASHER, FLAT .386X1.25X.09	1
11	325802	SPRING, .69X7.75X.0897TENSION	1
12	326114-853	LIFT ASSY,LH	1
13	325130-853	LIFT ASSY, RH	1
14	180079	SCREW, 5/16-18X1.00 HHC	1
15	58247	NUT, ADJUST	1
16	1498	NUT, 5/16-18 REGHEXCTRLK	1
17	417098	WASHER, FLAT .531X1.06X.063	2
18	8260	PIN, HAIR .091 DIA X1.66LG	2
19	325495-853	BRACKET, REAR HANG SUSP	2
20	330967	BOLT, 5/16-18X1.00 CAR	4
21	1498	NUT, 5/16-18 REGHEXCTRLK	4
22	313926-853	BRACKET, HGT/ADJUST SUPPORT	1
23	180077	SCREW, 5/16-18X .75 HHC	4
24	1498	NUT, 5/16-18 REGHEXCTRLK	4
25	301238	QUADRANT, HEIGHT ADJUST	1
26	180077	SCREW, 5/16-18X .75 HHC	2
27	1498	NUT, 5/16-18 REGHEXCTRLK	2
28	322292-853	HANDLE,LIFT SHORT(30" S.F.)	1
29	300171	BOLT, .500X .270 HHSH 5/16-18	1
30	996418	WASHER, FLAT .506X .75X.024	1
31	44108	NUT, 5/16-18 HWDFLCTRLK	1
32	301239	PAWL, SQUARE	1
33	300171	BOLT, .500X .270 HHSH 5/16-18	1
34	44108	NUT, 5/16-18 HWDFLCTRLK	1
35	9435	POINTER, HEIGHT ADJ	1
36	138479	WASHER, EXLK.195X.41X.03	1
37	35287	SCREW, #8-32X .38 HHWATAP	1
38	303027	ROD,ACTUATOR-SHORT	1
39	58326	SPRING, HEIGHT ADJUST	1
40	58325	KNOB, HEIGHT ADJ PUSH BUTTON	1
41	58329	GRIP, .750 OD W/ HOLE BLACK	1
42	9149	BRKT, CABLE RETAIN	1
43	48306	PULLEY,POWDER METAL	1
44	58336	BOLT, .375X .375 HHSH 1/4-20	1
45	1502	NUT, 1/4-20 REGHEXCTRLK	1
46	57511	LIFT CABLE 20.75LG	1
47	300310	PIN,CLEVIS .310DIA+.475LG	1
48	300311	RING, RET E .31X.25TRUX5133-31	1
49	48306	PULLEY,POWDER METAL	1
50	300317	PIN, CLEVIS .375DIA.X .81 LG	1
51	8260	PIN, HAIR .091 DIA X1.66LG	1
52	120375	NUT, 1/4-20 REGHEX	1
53	9405	CLEVIS, LIFT CABLE	1
54	120372	NUT, 1/4-20 REGSQ	1
55	39522	PIN, CLEVIS .312 X .812	1
56	121222	PIN, COTTER .090 DIA X .75LG	1
57	300335	LIFT COVER-39" F5	1
58	300340	SCREW, #10 X .75 HHPLAST BLK	3



NOTE: ALWAYS USE ORIGINAL EQUIPMENT PARTS. Use of service/replacement parts other than original equipment parts may void your warranty.

ALL UNNUMBERED ITEMS ARE INTERCHANGEABLE WITH OPPOSITE SIDE

E3912-030

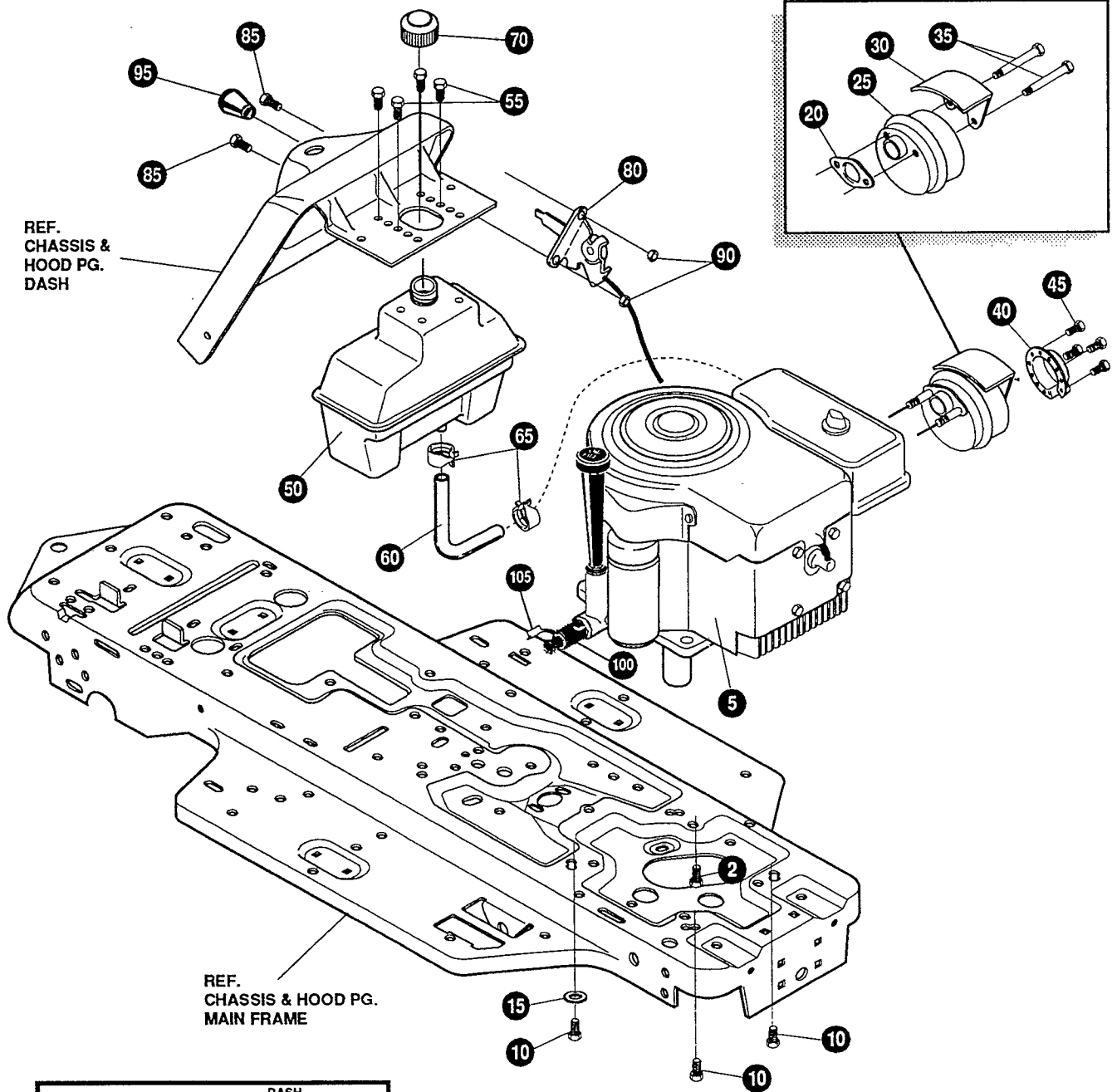
MOTION DRIVE ASSEMBLY

KEY#	PART#	DESCRIPTION	QTY
1	^	TRANSAXLE FOOTE 4360-5	1
2	303109	PULLEY, 6.6 OD V4L T/A	1
3	50795	KEY, HI-PRO 606 .75DIAX.187WD	1
4	22053	RING, RETEX .58X.035TRU5100-62	1
5	54758	BELT, V 4L 82.00 SF DRIVE	1
6	326615-853	BRACKET, TRANSAXLE	2
7	180077	SCREW, 5/16-18X .75 HHC	4
8	1498	NUT, 5/16-18 REGHEXCTRLK	8
9	180091	SCREW, 5/16-18X2.50 HHC	4
10	120393	WASHER, FLAT .344X .69X.065	4
11	1498	NUT, 5/16-18 REGHEXCTRLK	4
12	323126	BRKT, STABILIZER BLK	1
13	35498	SCREW, 5/16-18X .75 WAHHTAP	1
14	120638	WASHER, HVSPTLK .328X.60X.09	1
15	180079	SCREW, 5/16-18X1.00 HHC	1
16	138485	WASHER, EXLK .320X.61X.03	1
17	1498	NUT, 5/16-18 REGHEXCTRLK	1
18	331393	BRACKET, SHIFT F4360	1
19	56255	SCREW, 1/4-28X .75 NYLHHC	1
20	57157	WASHER, .750X.250 SP-TRANSAXLE	1
21	331800	SHIFT LEVER (DANA)	1
22	137185	PIN, COTTER .125 DIAX1.00LG	1
23	55514	KNOB, ROUND 1.50 DIA BLACK	1
24	49896	BELT GUIDE	1
25	271184	NUT, 5/16-18 HEXKEPS	1
26	120393	WASHER, FLAT .344X .69X.065	2
27	1498	NUT, 5/16-18 REGHEXCTRLK	1
28	331836	ASSY, PEDAL, BRAKE, CLUTCH	1
29	319676	PIN, CLEVIS .500DX4.87LG	1
30	331972	SPACER, SLEV .53 X .62X1.240	1
31	56180	PIN, HAIR .091 DIAX1.62LG	1
32	48761	PAD, CLUTCH/BRAKE PEDAL	1
33	321969	IDLER ARM BRKT TRACTION	1
34	329989	BOLT, .625X .135 HSH 5/16-18	1
36	45602	WASHER, FLAT .333X .87X.119	1
37	1498	NUT, 5/16-18 REGHEXCTRLK	1
38	39659	RETAINER, BELT	1
39	35374	PULLEY, IDLER V4L 3.06X .62	1
40	45892	BOLT, 3/8-16X1.50 CARRSN	1
41	1499	NUT, 3/8-16 REGHXCTRLK	1
42	333175	CLUTCH ROD ASSY, .268 DIA 3.92	1
43	326780	SPRING, 3/8ODX2.18 X.055 TENSIO	1
44	323127	BRKT, BRAKE ROD BLK	1
45	20507	BOLT, .437X .156 HSH 5/16-18	1
47	1498	NUT, 5/16-18 REGHEXCTRLK	1
48	323222	BRAKE ROD, RIDER BLK	1
49	120393	WASHER, FLAT .344X .69X.065	1
50	121222	PIN, COTTER .090 DIAX .75LG	1
51	271184	NUT, 5/16-18 HEXKEPS	1
52	1498	NUT, 5/16-18 REGHEXCTRLK	1
53	327867	SPRING, 3/4 ODX7.75X.091 TENSIO	1
54	35410	SPRING .071 X .62 X 4.37	1
55	331789-999	TIRE & RIM, PU 18X8.5X8 TUR	2
59	57479	SPACER, SLEV .75 X1.25X1.32	2
60	52928	KEY, SQUARE .187SQX2.25LG	2
61	642	WASHER, FLAT .755X1.31X.075	4
62	42815	WASHER, FLAT .755X1.53X.07	2
63	36625	RING, RETEX .57X.05TRU5133-75	2
64	40394	HUB CAP, 1.500ID X 7/8LG	2
65	5950	WASHER, FLAT .505X .88X.13	4
66	2968	WASHER, FLAT .504X .75X.059	4
68	327917	SCREW, 5/16-18X1.50HHCFT	4
69	73787	WASHER, FLAT .330X .75X.1793	4
70	180022	SCREW, 1/4-20X1.00 HHC	1
71	120380	NUT, 1/4-20 REGHEX	1

^CONTACT YOUR NEAREST TRANSAXLE DEALER FOR PARTS AND SERVICE.

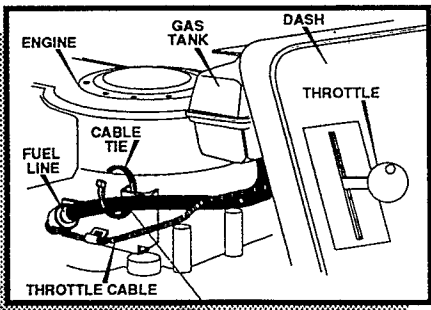
E3912-030

REPAIR PARTS



REF.
CHASSIS &
HOOD PG.
DASH

REF.
CHASSIS & HOOD PG.
MAIN FRAME



NOTE: ALWAYS USE ORIGINAL EQUIPMENT PARTS.
Use of service/replacement parts other than original equipment parts may void your warranty.

**ALL UNNUMBERED
ITEMS ARE INTERCHANGEABLE
WITH OPPOSITE SIDE**

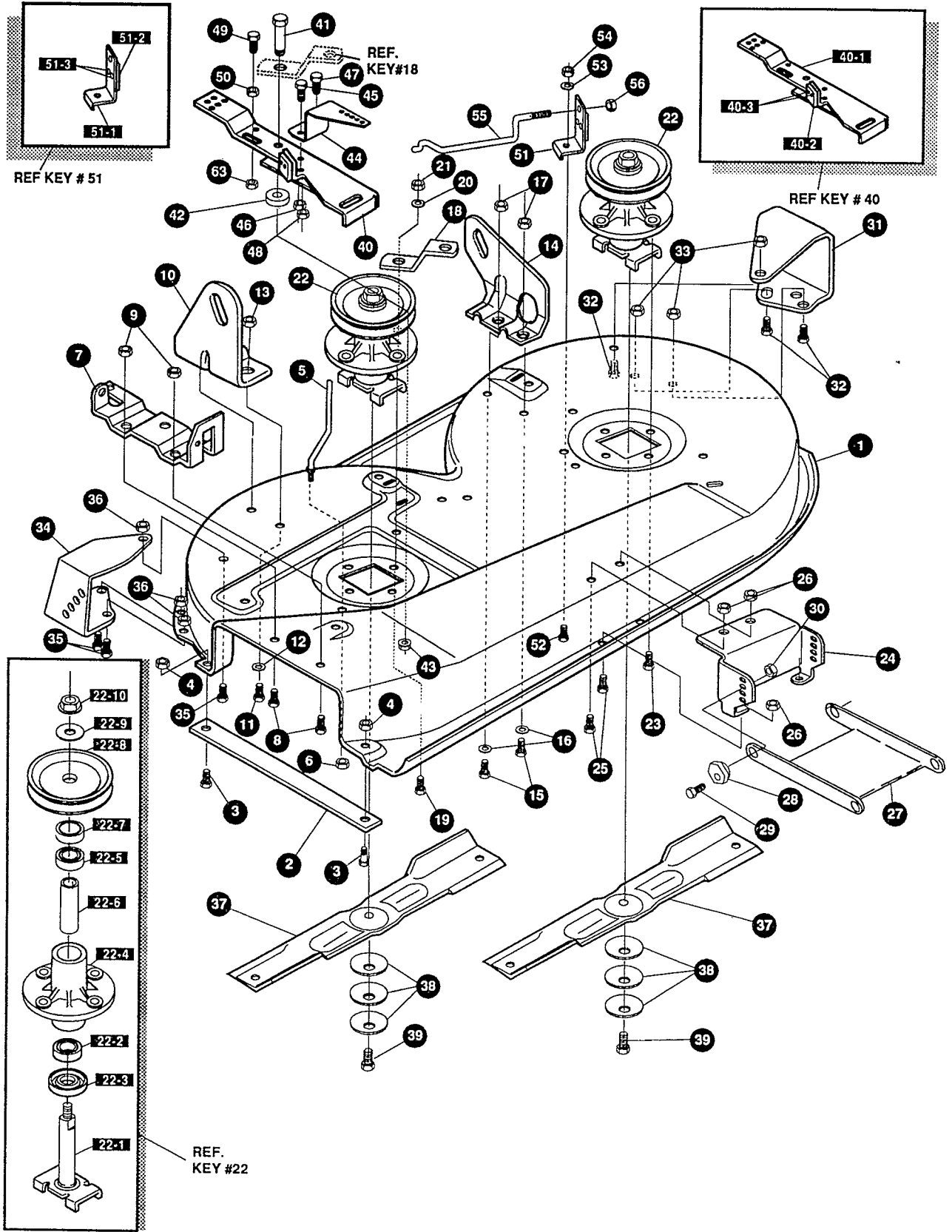
331639 A

E3912-030**ENGINE & CONTROL ASSEMBLY**

KEY#	PART#	DESCRIPTION	QTY
5	ENGINE	10-12HP B&S 3A (SEE ENGINE MANUAL)	1
10	50947	SCREW, 3/8-16X1.25 WAHHTAPBLKP	4
15	138489	WASHER, EXLK .384X.69X.04	1
20	46708	GASKET, MUFFLER	1
25	54766	MUFFLER-DOM/EXP ROUND	1
30	54767	SHIELD, HEAT, FOR ROUND MUFFLER	1
35	54980	SCREW, 5/16-18X3.50 HHC	2
40	56472	DEFLECTOR SIDE OUT (BS222573)	1
45	35287	SCREW, #8-32X .38 HHWATAP	4
50	314989	TANK, FUEL 1 GAL CLEAR	1
55	300303	SCREW, .25X.75X.51HHWAPLASTITE	4
60	42258	TUBING, .25X.50X BULK GAS LINE	12.0
65	47345	CLAMP, HOSE SCREW TYPE	2
70	46704	CAP, GAS 1-1/2-7 THD BLK	1
75	57444	TIE, CABLE BLACK NYLON 5.62L	1
80	320031	THROTTLE CONTROL	1
85	274707	SCREW, 10-24X .50 WAHMA	2
90	308459	NUT, #10-24 HXHDNYLK	2
95	50607	KNOB, ROUND THROTTLE BLACK	1
100	325547	OIL DRAIN VALVE ASSEMBLY	1
105	327422	CAP, OIL DRAIN VALVE ASM. YELLOW	1

E3912-030

REPAIR PARTS



NOTE: ALWAYS USE ORIGINAL EQUIPMENT PARTS.
 Use of service/replacement parts other than original equipment parts may void your warranty.

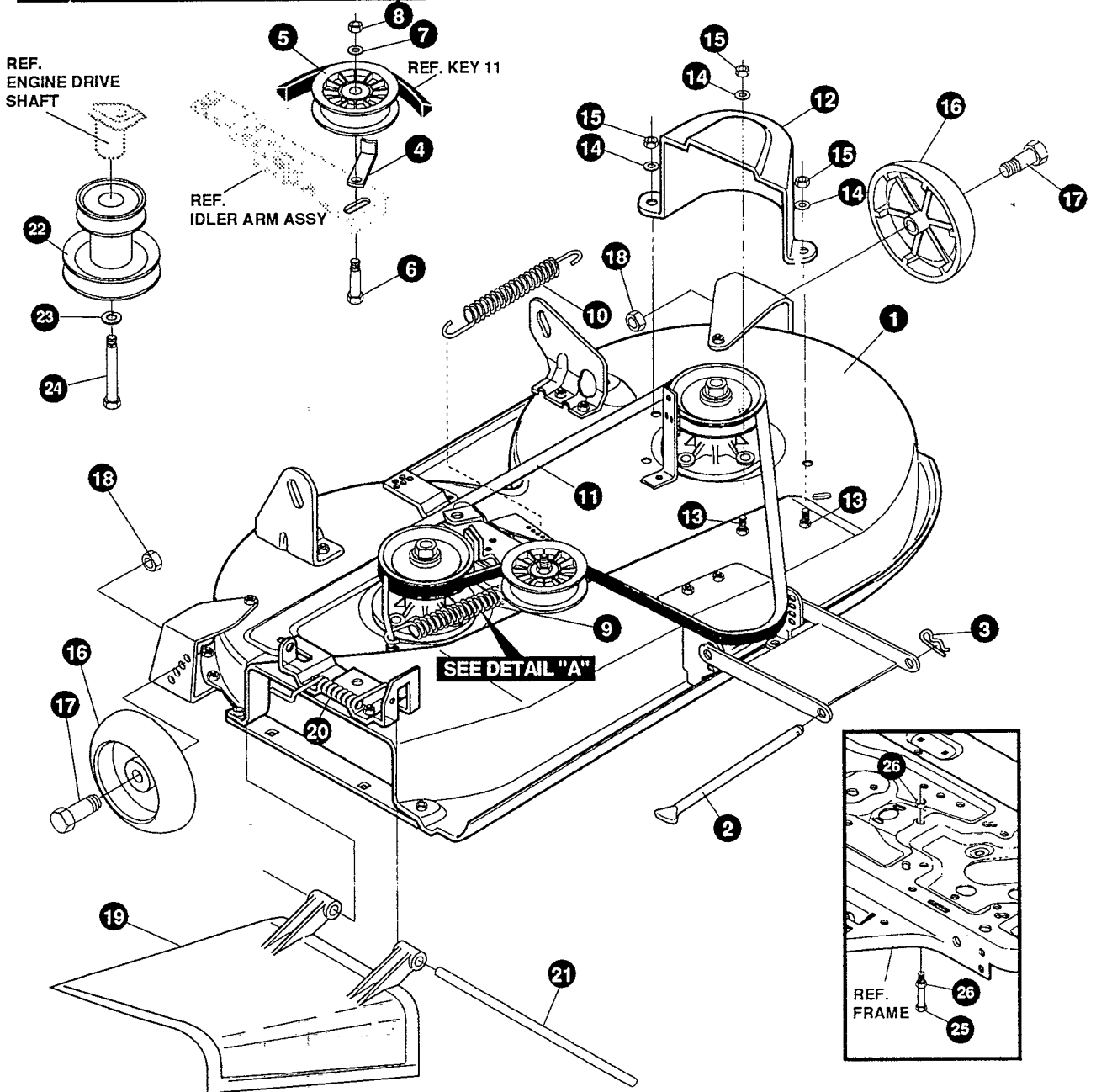
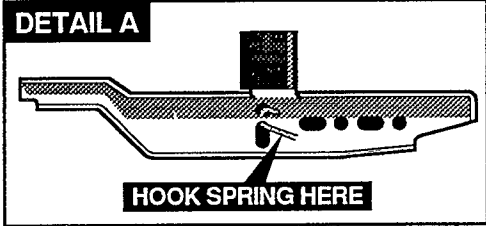
**ALL UNNUMBERED
 ITEMS ARE INTERCHANGEABLE
 WITH OPPOSITE SIDE**

330745 B

E3912-030

PRE-PAINTED DECK ASSEMBLY

KEY#	PART#	DESCRIPTION	QTY
1	325106	39" DECK KIT	1
2	326295-853	BAR, SKID	1
3	126216	BOLT, 5/16-18X .75 CARRLN	2
4	271184	NUT, 5/16-18 HEXKEPS	2
5	57318	GUIDE, BELT 5/16-18 THD	1
6	1498	NUT, 5/16-18 REGHEXCTRLK	1
7	313928	BRACKET, CHUTE BLK 853	1
8	180073	SCREW, 5/16-18X .50 HHC	2
9	1498	NUT, 5/16-18 REGHEXCTRLK	2
10	313929	LIFT BRKT, REAR RH BLK 853	1
11	180077	SCREW, 5/16-18X .75 HHC	2
12	120393	WASHER, FLAT .344X .69X.065	2
13	1498	NUT, 5/16-18 REGHEXCTRLK	2
14	310667	BRACKET, DECK LIFTREAR LHBLK	1
15	180077	SCREW, 5/16-18X .75 HHC	2
16	120393	WASHER, FLAT .344X .69X.065	2
17	1498	NUT, 5/16-18 REGHEXCTRLK	2
18	315302-853	BRACKET, IDLER SUPPORT	1
19	300345	SCREW, 5/16-18X1.38 WAHHTAP	1
20	120393	WASHER, FLAT .344X .69X.065	1
21	1498	NUT, 5/16-18 REGHEXCTRLK	1
22	56424-853	QUILL ASSY, 36/39/40/43	2
22-1	56425	SHAFT/SADDLE 36"	1
22-2	49562	BRNG, BALL 6203-2AA(SEALS)-C3	1
22-3	50616	DUST SHIELD	1
22-4	55547	QUILL CASTING (1046)	1
22-5	49562	BRNG, BALL 6203-2AA(SEALS)-C3	1
22-6	50818	SPACER, SLEV .669X .88X3.797	1
22-7	51449	SPACER, SLEV .672X .93X .438PM	1
22-8	313898	PULLEY ASSY	1
22-9	56365	WASHER, SPECIAL QUILL	1
22-10	1282	NUT, 7/16-20 WDFLLK	1
23	50634	SCREW, 5/16-18X .88 WAHHTAP	8
24	312526	LIFT SUPPORT FRONT DECK	1
25	180077	SCREW, 5/16-18X .75 HHC	4
26	1498	NUT, 5/16-18 REGHEXCTRLK	4
27	58305-853	BRACKET, LINK DECK FRONT	1
28	58247	NUT, ADJUST	2
29	180079	SCREW, 5/16-18X1.00 HHC	2
30	1498	NUT, 5/16-18 REGHEXCTRLK	2
31	312477	WHEEL BRKT, LH BLK	1
32	180077	SCREW, 5/16-18X .75 HHC	3
33	1498	NUT, 5/16-18 REGHEXCTRLK	3
34	300102-853	WHEEL BRKT, RH	1
35	180077	SCREW, 5/16-18X .75 HHC	3
36	1498	NUT, 5/16-18 REGHEXCTRLK	3
37	306932-853	BLADE, 19.69 HI-LIFT BLK 853	2
38	2483	WASHER, 39IDX1.25DX.07 BELLVIL	6
39	39573	SCREW, 3/8-24X1.00 NYLHHC	2
40	320565-853	IDLER ARM ASSEMBLY	1
40-1	300490-853	IDLER ARM 36,38,39,&45SD	1
40-2	306973	BRAKE PAD - HARD - 232AF	1
40-3	41601	RIVET, OVSET .187DIAX .50LG ST	2
41	300180	BOLT, .50 X1.88 HSSH 3/8-16	1
42	996416	WASHER, FLAT .391X1.0OX.125	1
43	45171	NUT, 3/8-16 HWDFL WHIZ-LOCK ZN	1
44	326249-853	BRACKET, EXTENSION IDLER	1
45	180077	SCREW, 5/16-18X .75 HHC	1
46	1498	NUT, 5/16-18 REGHEXCTRLK	1
47	120854	SCREW, 1/4-20X .63 HHC	1
48	1502	NUT, 1/4-20 REGHEXCTRLK	1
49	121954	SCREW, 1/4-20X2.00 HHC	1
50	271172	NUT, 1/4-20 REGHEXKEPS	2
51	303247	ASSY.BLADE BRAKE 36,39,45	1
51-1	303246-853	BRAKE ARM, RAW	1
51-2	306973	BRAKE PAD - HARD - 232AF	1
51-3	135624	RIVET, TRSET .185DIAX .41LG ST	2
52	180077	SCREW, 5/16-18X .75 HHC	1
53	120393	WASHER, FLAT .344X .69X.065	1
54	1498	NUT, 5/16-18 REGHEXCTRLK	1
55	300316	ROD, BRAKE RELEASE 14.7 39DECK	1
56	1502	NUT, 1/4-20 REGHEXCTRLK	1



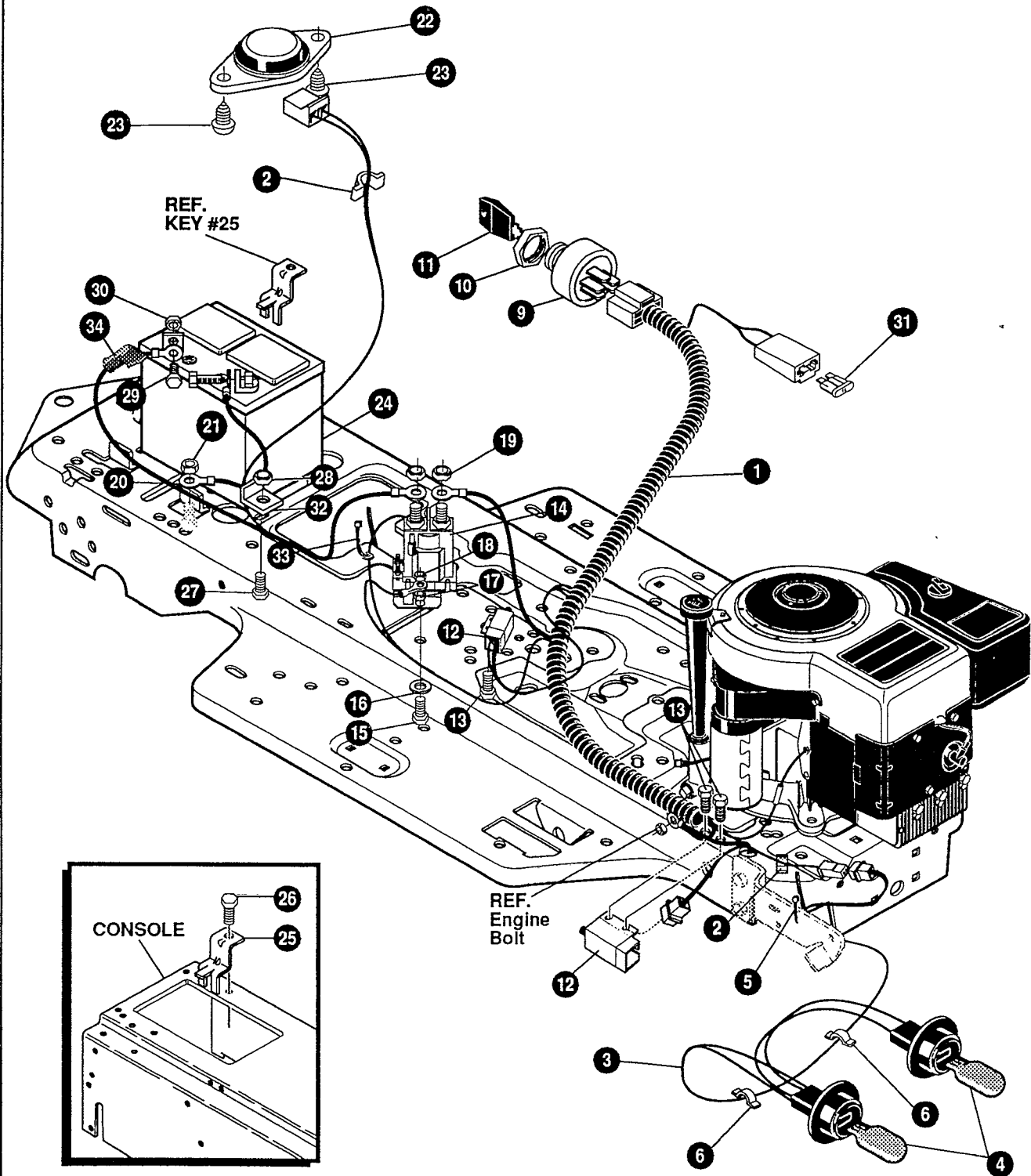
NOTE: ALWAYS USE ORIGINAL EQUIPMENT PARTS. Use of service/replacement parts other than original equipment parts may void your warranty.

ALL UNNUMBERED ITEMS ARE INTERCHANGEABLE WITH OPPOSITE SIDE

330746 C

E3912-030**FINAL DECK ASSEMBLY**

KEY#	PART#	DESCRIPTION	QTY
1	329035-853	39" DECK KIT	1
2	58306	ROD, DECK HITCH Z-PL 953	1
3	8260	PIN, HAIR .091 DIA X 1.66LG	1
4	134	RETAINER, BELT	1
5	310326	PULLEY, IDLER BFF 4.00 WIDE FL	1
6	57325	BOLT, 3/8-16X2.00 CARRSN	1
7	120382	WASHER, REGSPTLK.393X.68X.10	1
8	120377	NUT, 3/8-16 REGHX	1
9	322064	SPRING, .75X8.4X.105 TENSION	1
10	326256	SPRING, .75X10.0X.105 TENSION	1
11	300680	BELT, V 5L 77.75 KEVLAR	1
12	328257	GUARD, BELT LH PLASTIC	1
13	180077	SCREW, 5/16-18X .75 HHC	3
14	120393	WASHER, FLAT .344X .69X.065	3
15	1498	NUT, 5/16-18 REGHEXCTRLK	3
16	302611	GAUGE WHEEL,EURO 6.00ODX1.38WD	2
17	23763	BOLT, .500X1.390 HSSH 3/8-16	2
18	1499	NUT, 3/8-16 REGHXCTRLK	2
19	57818	CHUTE DEFLECTOR 36",39",45"	1
20	314975	SPRING,TORSION CHUTE DEFLECTOR	1
21	57317	PIVOT ROD,CHUTE	1
22	328034	PULLEY, ENG V3L 4.00 OFFSET	1
23	120383	WASHER, REGSPTLK.459X.78X.12	1
24	433146	SCREW, 7/16-20X4.25 HHC BLK PH	1
25	180128	SCREW, 3/8-16X1.75 HHC	1
26	1499	NUT, 3/8-16 REGHXCTRLK	2

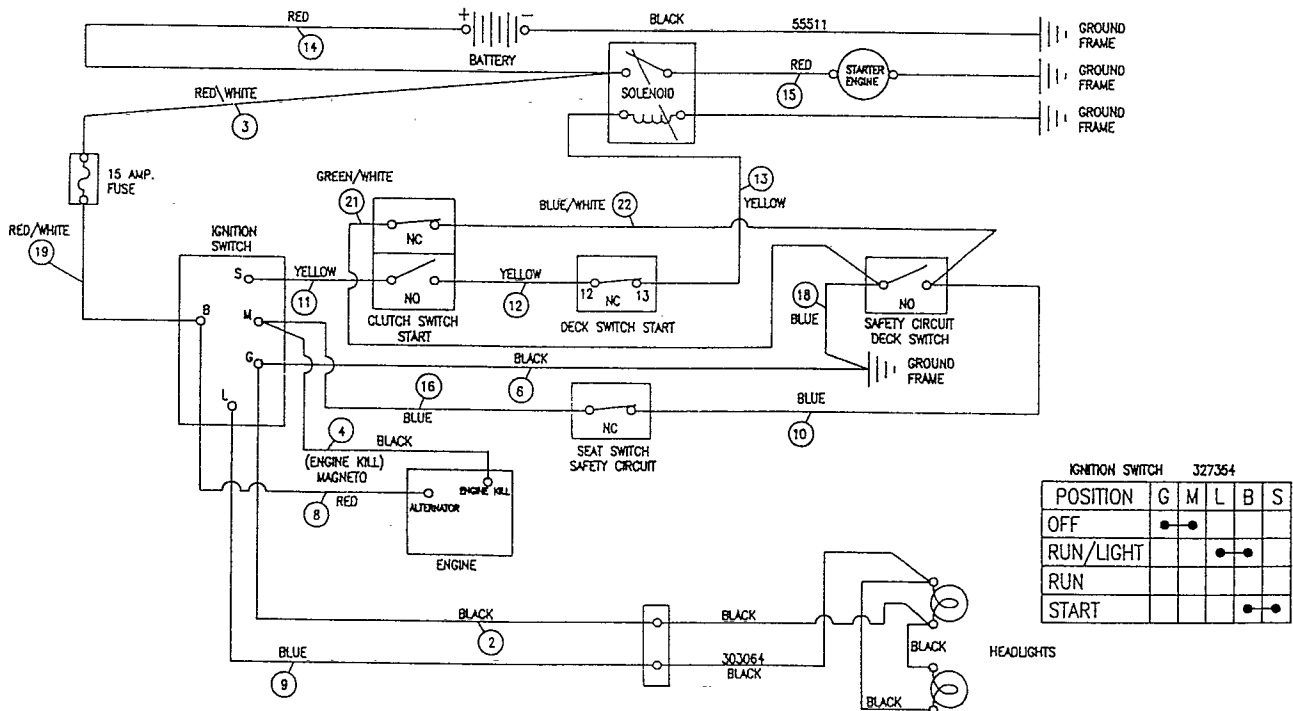


NOTE: ALWAYS USE ORIGINAL EQUIPMENT PARTS.
 Use of service/replacement parts other than original equipment parts may void your warranty.

**ALL UNNUMBERED
 ITEMS ARE INTERCHANGEABLE
 WITH OPPOSITE SIDE**

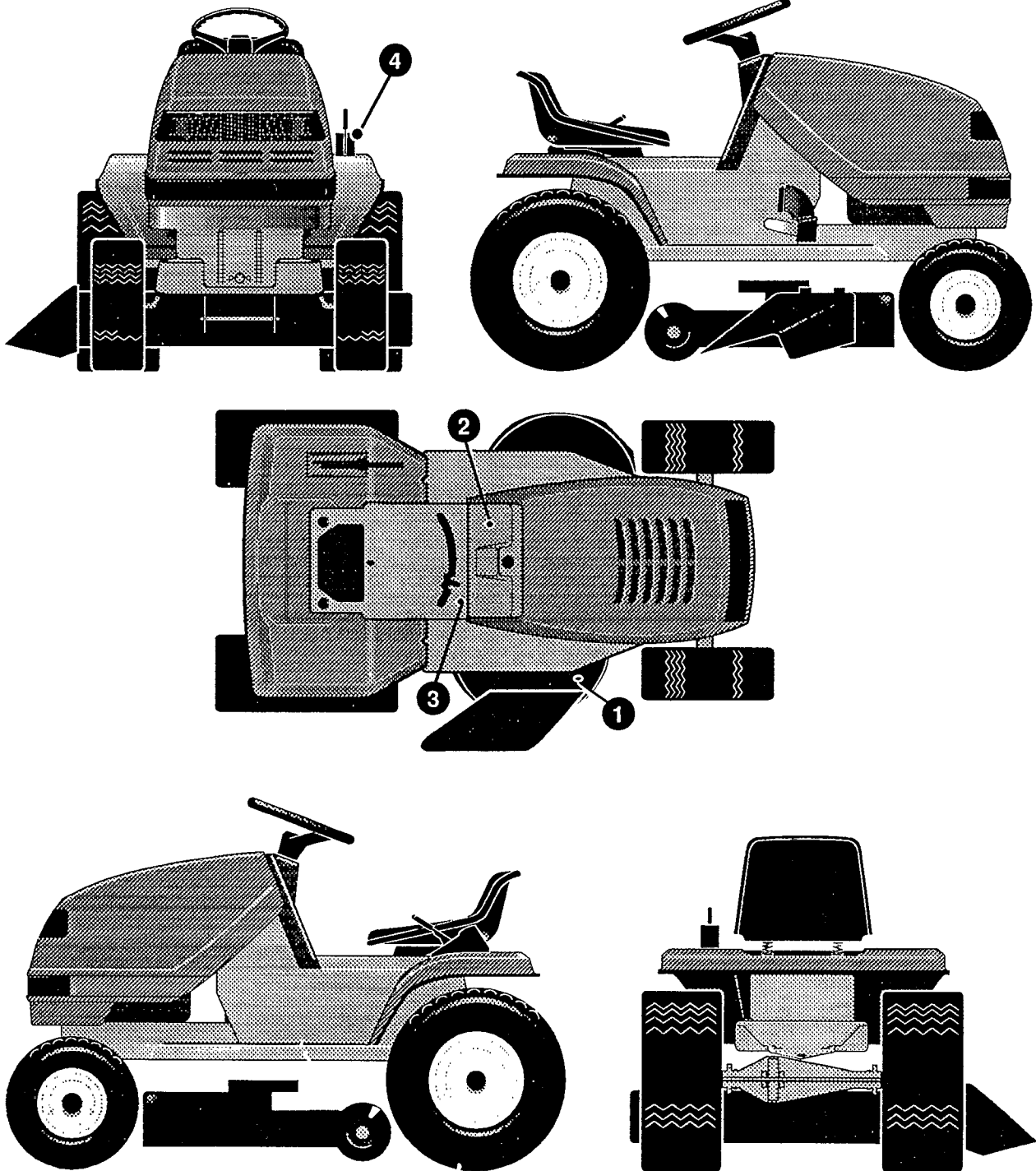
KEY#	PART#	DESCRIPTION	QTY
1	331739	WIRE HARNESS SF 8-12B&S	1
2	41482	PRESS CLIP,1.380LG .255ID	2
3	303064	ASSY,LIGHT WIRE-1/4 TURN	1
4	52572	BULB, HEADLAMP	2
5	57444	TIE, CABLE BLACK NYLON 5.62L	1
6	41482	PRESS CLIP,1.380LG .255ID	2
9	327354	SWITCH,IGNITION & LIGHTS DELTA	1
10	327352	NUT, 5/8-8ACME DELTA FOR BOOT	1
11	327350	KEY,IGNITION DELTA	1
12	57476	SWITCH,SCR MNT DP NC NO BLK	2
13	300302	SCREW, #10 X .50 HHTAPPST BLK	4
14	53716	SOLENOID	1
15	187745	SCREW, 1/4-20X .75 HXSEMMA	2
16	1084	WASHER, FLAT .281X1.00X.063	1
17	1502	NUT, 1/4-20 REGHEXCTRLK	2
18	271172	NUT, 1/4-20 REGHEXKEPS	1
19	271187	NUT, 5/16-24 HKEPS	2
20	55511	WIRE, GROUND, 12.5"	1
21	271184	NUT, 5/16-18 HEXKEPS	1
22	57547	SWITCH, SEAT	1
23	160505	SCREW, 1/4-20X .38PHPNHMA	2
24	302257	BATTERY, 12V	1
25	329175	BATTERY BRACKET	1
26	995346	SCREW, 1/4-20X .50 WAHTAP	1
27	187745	SCREW, 1/4-20X .75 HXSEMMA	1
28	1502	NUT, 1/4-20 REGHEXCTRLK	1
29	120854	SCREW, 1/4-20X .63 HHC	2
30	271172	NUT, 1/4-20 REGHEXKEPS	2
31	302031	FUSE SPADE TYPE 32V 15A	1
32	9149	BRKT, CABLE RETAIN	1
33	57444	TIE, CABLE BLACK NYLON 5.62L	1
34	308201	INSULATOR, BATTERY BOOT EURO	1

SCHEMATIC DRAWING



IGNITION SWITCH 327354

POSITION	G	M	L	B	S
OFF	•	•			
RUN/LIGHT			•	•	
RUN					•
START					•



NOTE: ALWAYS USE ORIGINAL EQUIPMENT PARTS.
Use of service/replacement parts other than original equipment parts may void your warranty.

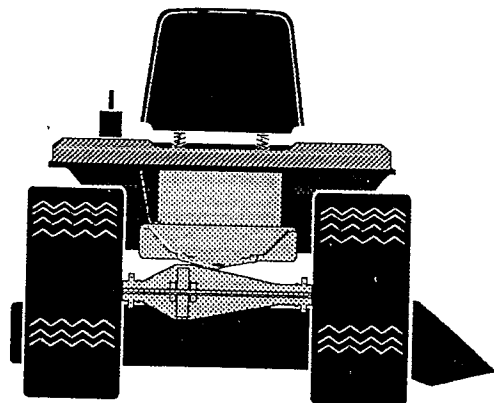
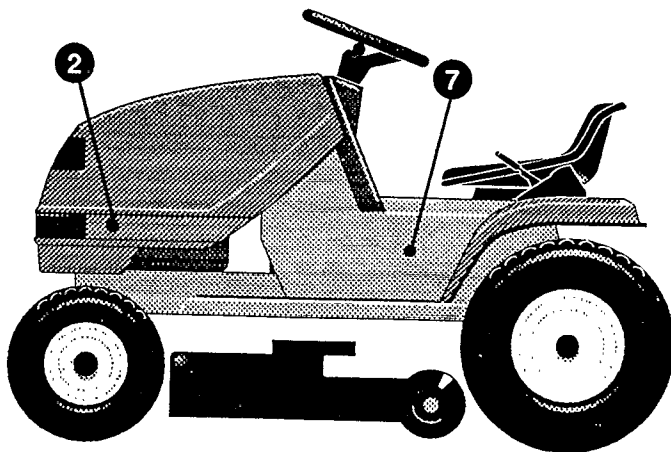
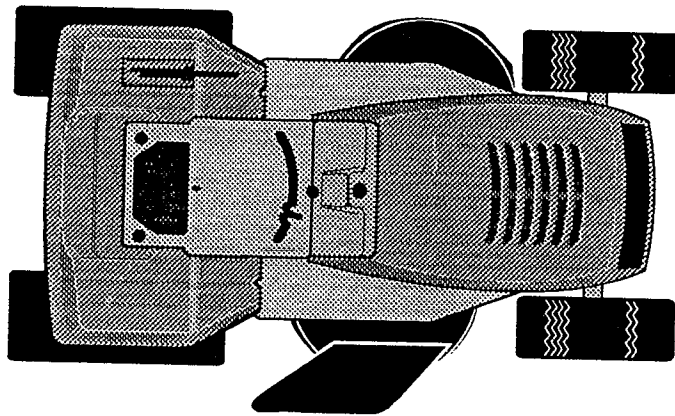
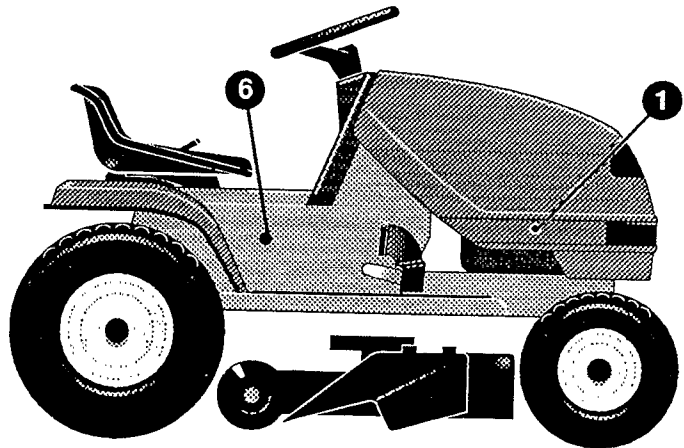
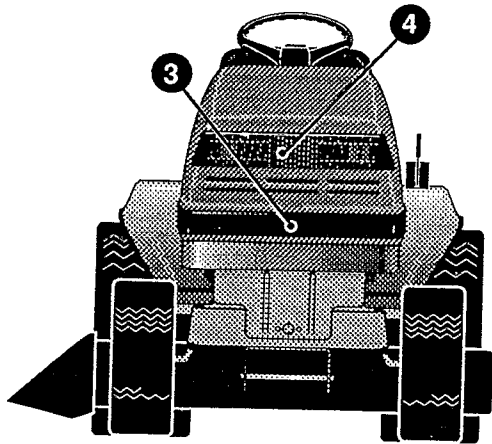
ALL UNNUMBERED
ITEMS ARE INTERCHANGEABLE
WITH OPPOSITE SIDE

331844 A

E3912-030

DECAL ASSEMBLY

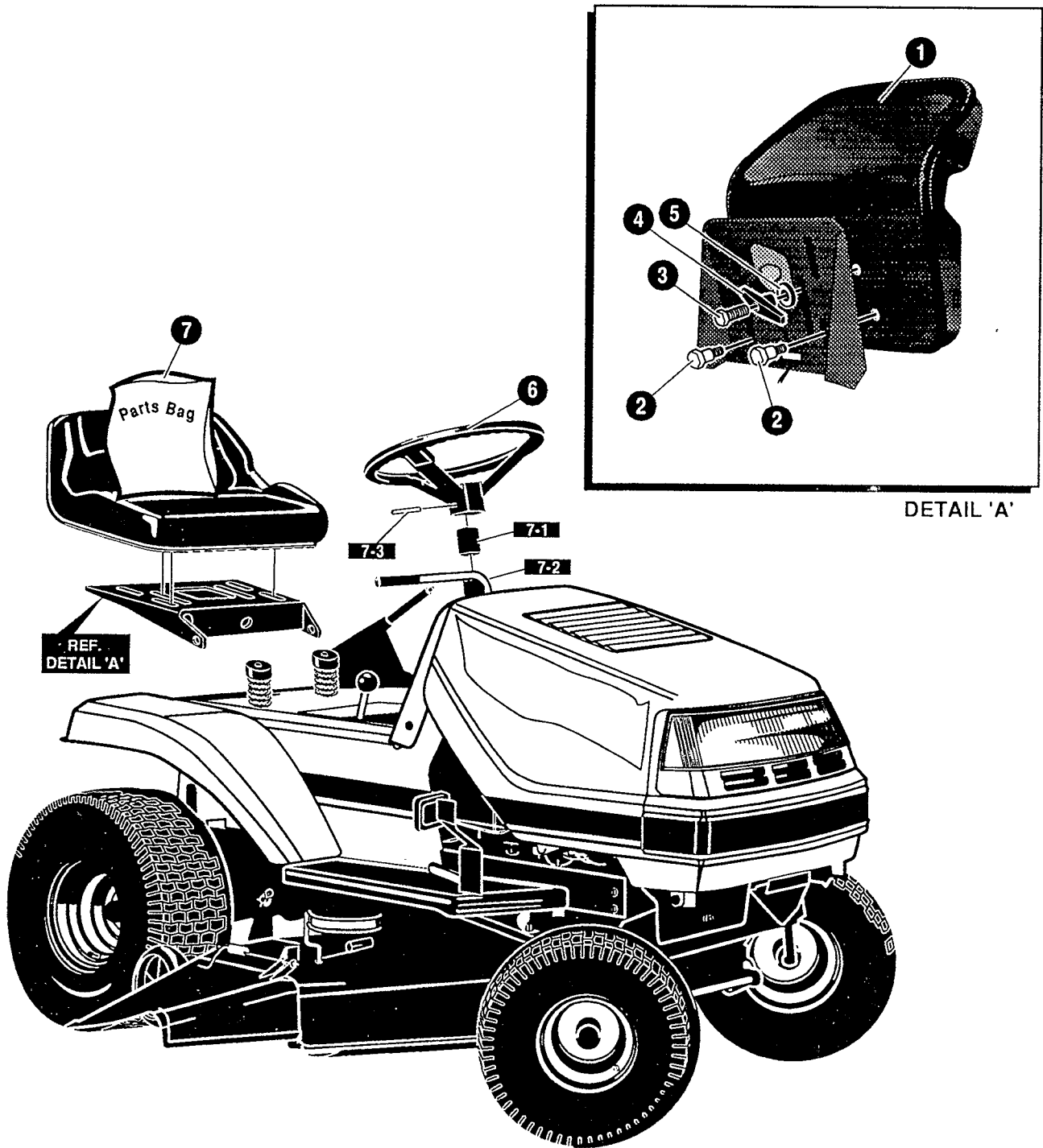
KEY#	PART#	DESCRIPTION	QTY
1		REFERENCE ONLY	
2	326588	DECAL DASH, DYNAMARK DOM	1
3	402299	DECAL, CONSOLE 4360/INSTR/5-SP	1
4	402214	DECAL, HEIGHT ADJUST	1



E3912-030

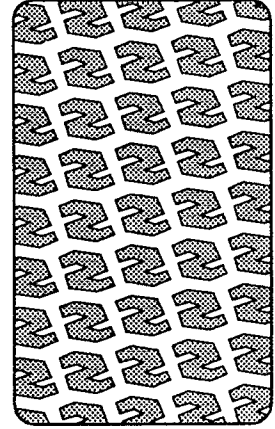
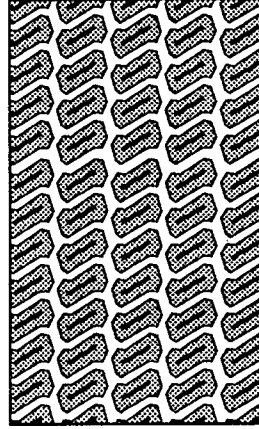
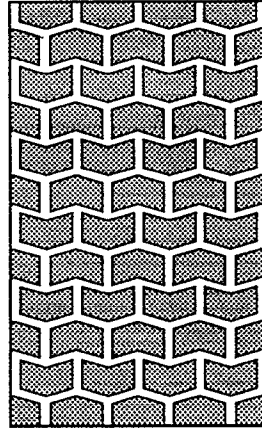
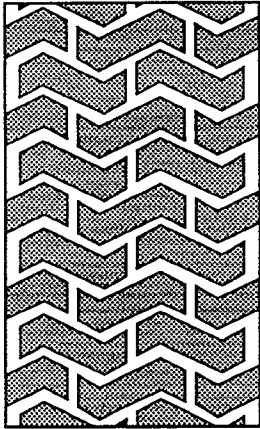
DECAL ASSEMBLY

KEY#	PART#	DESCRIPTION	QTY
1	402324	DECAL, HOOD-RH DYNAMARK SF	1
2	402325	DECAL, HOOD-LH DYNAMARK SF	1
3	322699	DECAL, TAPE H13 8MIL VINYL.....	1
4	308492	FOIL, LENS DYNA HOOD REFLECTOR	1
6	402326	DECAL, CONSOLE-RH 12/39 SF	1
7	402327	DECAL, CONSOLE-LH 12/39 SF	1



KEY#	PART#	DESCRIPTION	QTY
1	331524	SEAT, MICHIGAN LF QUICK	1
2	331637	BOLT, .500X .10HHSH 5/16-18	2
3	180079	SCREW, 5/16-18X1.00 HHC	1
4	13527	KNOB, T 2BLADE W/5/16/18 NUT	1
5	120393	WASHER, FLAT .344X .69X.065	1
6	330510	STEERING WHEEL	1
7	332083	PARTS BAG, ASSY (STEERING)	1
7-1	331322	COVER, STEERING SHAFT	1
7-2	301413	SPACER, STEERING SHAFT	1
7-3	456378	PIN, SPRING.250DIA X2.00LG	1

TREAD PATTERNS



"A"

"B"

"C"

"D"

TIRE SIZE	"A"	"B"	"C"	"D"
11 X 4.00 - 5	42295	319679		
13 X 5.00 - 6	41060	319680		
15 X 6.00 - 6	39830	316702	301140	313952
16 X 6.50 - 8	41081	319682		314539
18 X 8.50 - 8	319683	317400		
18 X 9.50 - 8	41106	316701		313950
20 X 8.00 - 8	319685	319684	57164	314584
20 X 10.00 - 8	58276	319686		313654
20 X 10.00 - 10	55893	319687		
23 X 9.50 - 12	53655	319690	319689	314370
18 X 6.50 - 8		42091		
16 X 4.80 - 8		305035		

TWO YEAR LIMITED WARRANTY

For two (2) years from date of purchase by the first consumer for residential use (**thirty (30) days commercial use**), NOMA Outdoor Products Incorporated warrants that it will replace free of charge, including labor, any original part of any NOMA Outdoor Products Incorporated product found to be defective by any authorized Service Dealer or the factory, except the battery which is warranted for ninety (90) days from date of purchase.

This warranty does not cover engine, transmission, transaxle or differential (**these items are covered by their manufacturer's own warranty**). This warranty does not cover parts that have failed due to normal wear or parts that have failed subject to misuse or abuse. Transportation of the unit or part to and from an authorized Service Dealer or factory is the responsibility of the owner.

A step by step explanation as to what procedure should be followed for this warranty is:

1. If a part becomes defective, contact the store where the unit was purchased for the name and address of the authorized Service Dealer nearest to you.
2. If you cannot locate an authorized Service Dealer, write Service Department of NOMA Outdoor Products Incorporated for the name and address of the authorized Service Dealer in your area or call the Service Department at 1-901-422-1690
3. Return the defective product, along with proof of purchase to such authorized Service Dealer for replacement of any defective part where covered by this warranty.

There is no other express warranty. Implied warranties, including those of merchantability and fitness for a particular purpose are limited to two (2) years from date of purchase. Liability for incidental or consequential damages are excluded.

Some states do not allow limitations on how long an implied warranty lasts, so the above limitation may not apply to you. Some states do not allow the exclusion of incidental or consequential damages, so the above exclusion may not apply to you. This warranty gives you specific legal rights, and you may have other rights which vary from state to state.

NOMA Outdoor Products Incorporated

Caller 8000

Jackson, TN 38308-8000

UNIT PARTS AND SERVICE

Fill in and mail the registration card packed with the unit. For service other than covered in this manual, contact an authorized service dealer. A nationwide parts and service organization has been established to provide locally available parts and service. A list of authorized parts distributors has been included in this manual. When ordering repair parts, always give the following information: 1. The Part Name; 2. The Part Number; 3. The Quantity desired; 4. The Full (**eight digit**) Model Number of the unit. The model number will be found on a plate attached to the unit.

Look for this symbol.



It means - **ATTENTION! BECOME ALERT! A HAZARD TO OPERATOR, BYSTANDER, PROPERTY OR EQUIPMENT MAY EXIST.**

NOMA Outdoor Products Incorporated

Caller 8000

Jackson, TN 38308-8000