

1996

~~1995~~

# REPAIR PARTS MANUAL

## Model G3554-230 12HP/39" Deck

### HOW TO ORDER REPAIR PARTS

Only use a factory repair part. Repair parts, except for the engine or the transmission, are available from the store where the unit was purchased, a service shop recommended by the store, or an authorized service shop found in the yellow pages of the telephone directory.

If you cannot get a repair part or service as described above, call or write to the Central Parts Distributor shown on the back page of this manual or write: **Customer Service Department, Outdoor Power Equipment, PO Box 8000, Jackson, TN 38308, 1-800-247-7464.** Collect telephone calls will not be accepted. When you order, include the following information: 1- Complete Model Number (see nameplate), 2- Date of Manufacture, 3- Complete Part Number, 4- Description, and 5- Quantity.

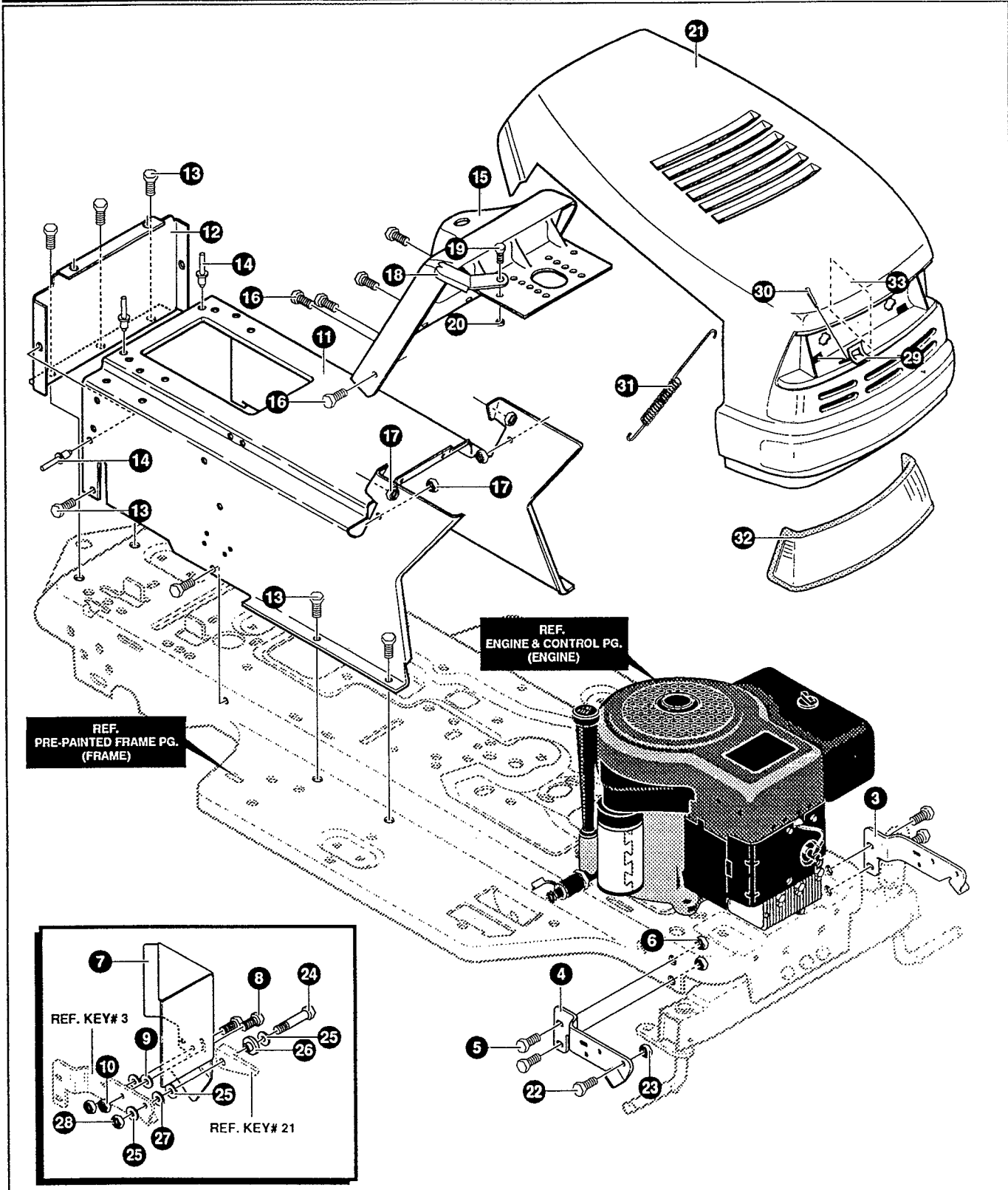
Repair parts for the engine or the transmission are available from the manufacturer's authorized service center found in the yellow pages of the telephone directory. See the individual engine or transmission warranties.

- Read and keep this parts list book for future reference.
- This parts list book contains drawings and part numbers necessary to obtain repair parts.
- Record the following information about your unit. This information is necessary when ordering parts or in case of loss or theft.

WHERE PURCHASED: \_\_\_\_\_

DATE PURCHASED: Month \_\_\_\_\_ Day \_\_\_\_\_ Year \_\_\_\_\_

MODEL NO.: \_\_\_\_\_ DATE OF MANUFACTURE: \_\_\_\_\_

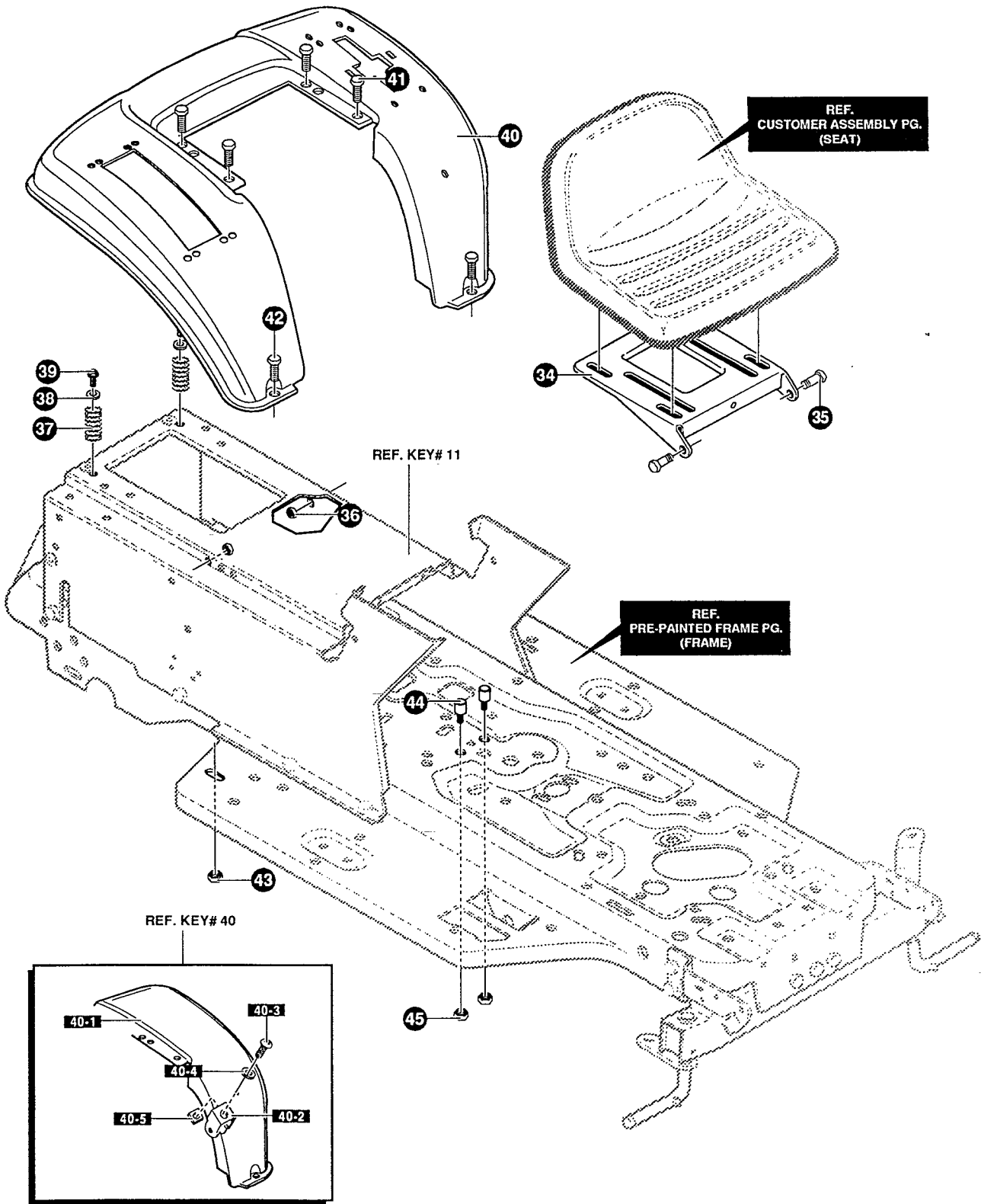


**NOTE: ALWAYS USE ORIGINAL EQUIPMENT PARTS.** Use of service/replacement parts other than original equipment parts may void your warranty.

**ALL UNNUMBERED ITEMS ARE INTERCHANGEABLE WITH OPPOSITE SIDE**

338277 A

KEY#	PART#	DESCRIPTION	QTY
3	313001-853	BRACKET, GRILLE, LH .....	1
4	313002-853	BRACKET, GRILLE, RH .....	1
5	328154	SCREW, 5/16-18 X 1.0 .....	4
6	55273	NUT, 5/16-18 .....	4
7	312908-853	SHIELD, HEAT .....	1
8	180020	SCREW, 1/4-20 X .75 .....	2
9	311245	WASHER, FLAT .250 X .75 X INSULATE .....	2
10	51335	NUT, 1/4-20 .....	2
11	324748-889	CONSOLE .....	1
12	56235-889	CONSOLE, REAR COVER .....	1
13	995346	SCREW, 1/4-20 X .50 .....	11
14	46763	RIVET, POP .....	4
15	320466-889	DASH .....	1
16	44811	SCREW, 1/4-20 X .75 .....	6
17	50352	NUT, 1/4-20 .....	4
18	313021-853	GUIDE, HOOD .....	2
19	180020	SCREW, 1/4-20 X .75 .....	2
20	51335	NUT, 1/4-20 .....	2
21	335409	HOOD .....	1
22	56676	BOLT, .375 X .580 .....	1
23	1498	NUT, 5/16-18 .....	1
24	180042	SCREW, 1/4-20 X 1.75 .....	1
25	120392	WASHER, FLAT .281 X .63 X .065 .....	2
26	309532	BEARING FLANGED .....	1
27	311245	WASHER, FLAT .250 X .75 X INSULATE .....	1
28	1502	NUT, 1/4-20 .....	1
29	310801	ANCHOR, HOOD LANYARD .....	1
30	121222	PIN, COTTER .....	1
31	304784	SPRING, HOOD LATCH .....	1
32	302670	LENS, HEADLAMP .....	1
33	<del>501432</del> 308492	FOIL, HEAT REFLECTOR .....	1
	338758	OPERATOR'S MANUAL .....	1




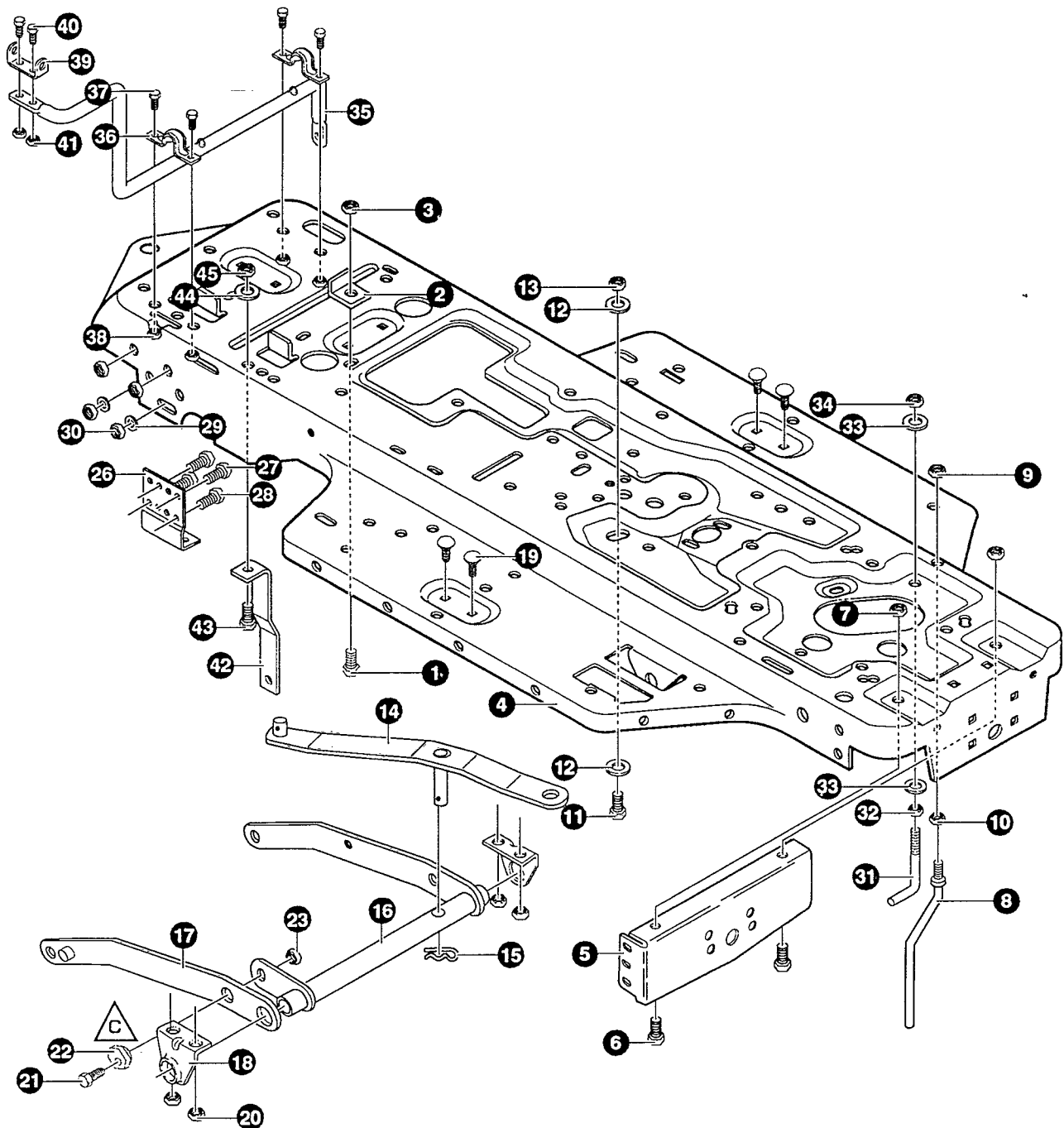
**NOTE: ALWAYS USE ORIGINAL EQUIPMENT PARTS. Use of service/replacement parts other than original equipment parts may void your warranty.**

**ALL UNNUMBERED ITEMS ARE INTERCHANGEABLE WITH OPPOSITE SIDE**

KEY#	PART#	DESCRIPTION	QTY
34	331535-889	PLATE, SEAT .....	1
35	20507	BOLT, .437 X .156 .....	2
36	1498	NUT, 5/16-18 .....	2
37	330463	SPRING, SEAT .....	2
38	120392	WASHER, FLAT .281 X .63 X .065 .....	2
39	995346	SCREW, 1/4-20 X .50 .....	2
40	*	ASSEMBLY, FENDER .....	1
40-1	332423-889	FENDER .....	1
40-2	9239	CLEVIS .....	1
40-3	439455	SCREW, 5/16-18 X .56 .....	1
40-4	301551	WASHER, .344 ID X 1.50D X .09 .....	1
40-5	120373	NUT, 5/16-18 .....	1
41	995346	SCREW, 1/4-20 X .50 .....	4
42	126358	BOLT, 5/16-18 X 1.00 .....	2
43	55273	NUT, 5/16-18 .....	2
44	53446	PIN, 5/16-18 HOOD LATCH .....	2
45	271184	NUT, 5/16-18 .....	2

\* ORDER INDIVIDUAL PARTS - ASSEMBLY NOT AVAILABLE

 Symbol denotes critical assembly points.



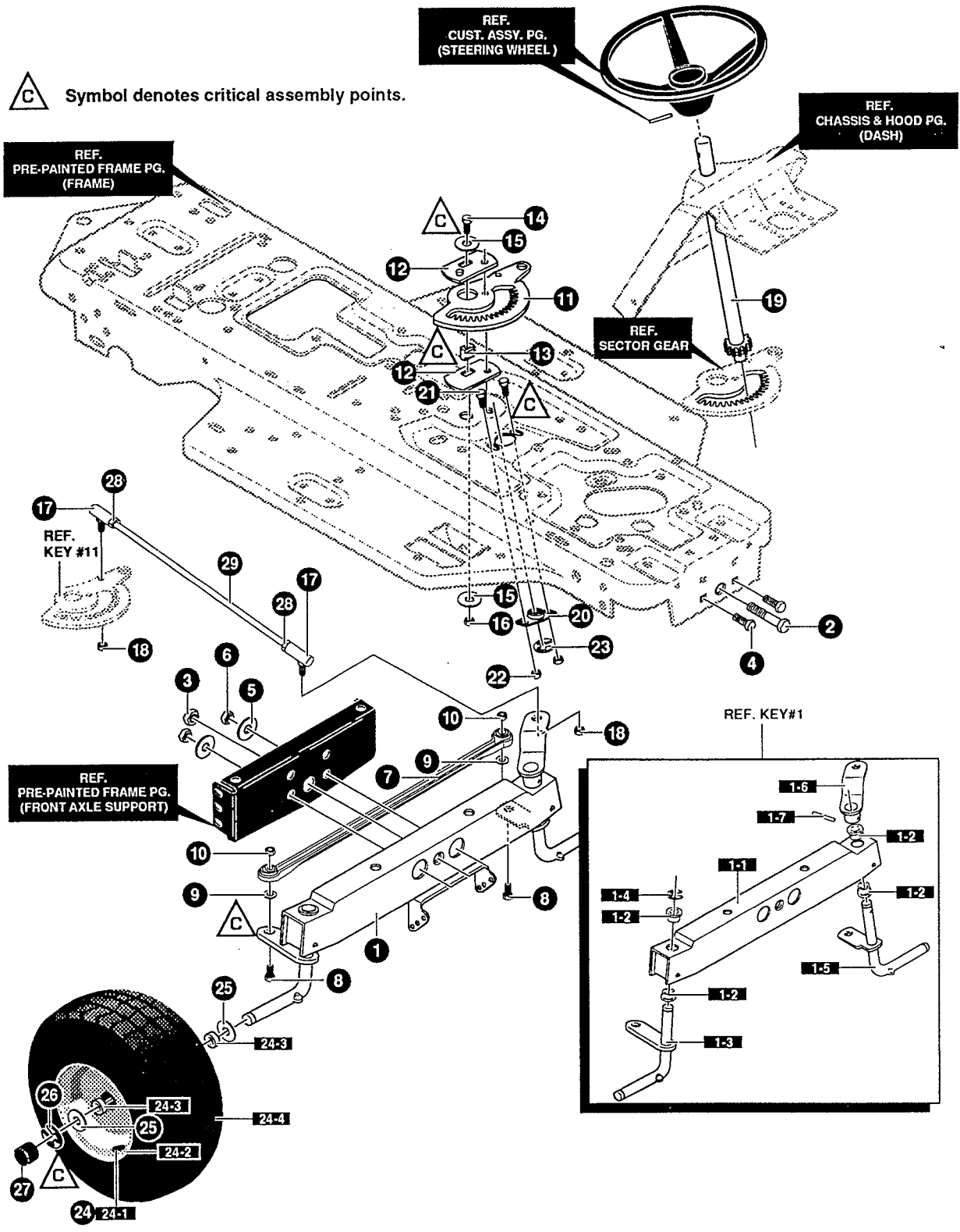
**NOTE: ALWAYS USE ORIGINAL EQUIPMENT PARTS.** Use of service/replacement parts other than original equipment parts may void your warranty.

**ALL UNNUMBERED ITEMS ARE INTERCHANGEABLE WITH OPPOSITE SIDE**

337772 A

KEY#	PART#	DESCRIPTION	QTY
1	187745	SCREW, 1/4-20 X .75 .....	1
2	9149	CABLE RETAINING BRACKET .....	1
3	1502	NUT, 1/4-20 .....	1
4	331173-889	MAIN FRAME .....	1
5	56362	BRACKET, SUPPORT, FRONT AXLE .....	1
6	328154	SCREW, 5/16-18 X 1.0 .....	2
7	55273	NUT, 5/16-18 .....	2
8	50653	GUIDE, BELT .....	1
9	41529	NUT, 3/8-16 .....	1
10	271190	NUT, 3/8-16 .....	1
11	180124	SCREW, 3/8-16 X 1.25 .....	1
12	120394	WASHER, FLAT .406 X .81 X .065 .....	2
13	45171	NUT, 3/8-16 .....	1
14	325587	STRAP ASSEMBLY .....	1
15	8260	PIN, HAIR .....	1
16	326114	LIFT ASSEMBLY, LH .....	1
17	325130	LIFT ASSEMBLY, RH .....	1
18	325495	BRACKET, REAR HANG .....	2
19	330967	BOLT, 5/16-18 X 1.00 .....	4
20	1498	NUT, 5/16-18 .....	4
21	180079	SCREW, 5/16-18 X 1.00 .....	1
22	58247	NUT, ADJUST .....	1
23	1498	NUT, 5/16-18 .....	1
26	326615	BRACKET, TRANSAXLE .....	2
27	180077	SCREW, 5/16-18 X .75 .....	4
28	327917	SCREW, 5/16-18 X 1.50 .....	4
29	73787	WASHER, FLAT .330 X .75 X .1793 .....	4
30	1498	NUT, 5/16-18 .....	8
31	49896	BELT GUIDE .....	1
32	271184	NUT, 5/16-18 .....	1
33	120393	WASHER, FLAT .344 X .69 X .065 .....	2
34	1498	NUT, 5/16-18 .....	1
35	319113	LEVER, SHIFT LOWER .....	1
36	302760	CLAMP .625 DIA .....	2
37	180077	SCREW, 5/16-18 X .75 .....	4
38	1498	NUT, 5/16-18 .....	4
39	310356	BRACKET, PIVOT SHIFT LEVER .....	1
40	180020	SCREW, 1/4-20 X .75 .....	2
41	1502	NUT, 1/4-20 .....	2
42	309770	BRACKET, STABILIZER .....	1
43	35498	SCREW, 5/16-18 X .75 .....	1
44	120638	WASHER .328 X .60 X .09 .....	1
45	1498	NUT, 5/16-18 .....	1

**C** Symbol denotes critical assembly points.



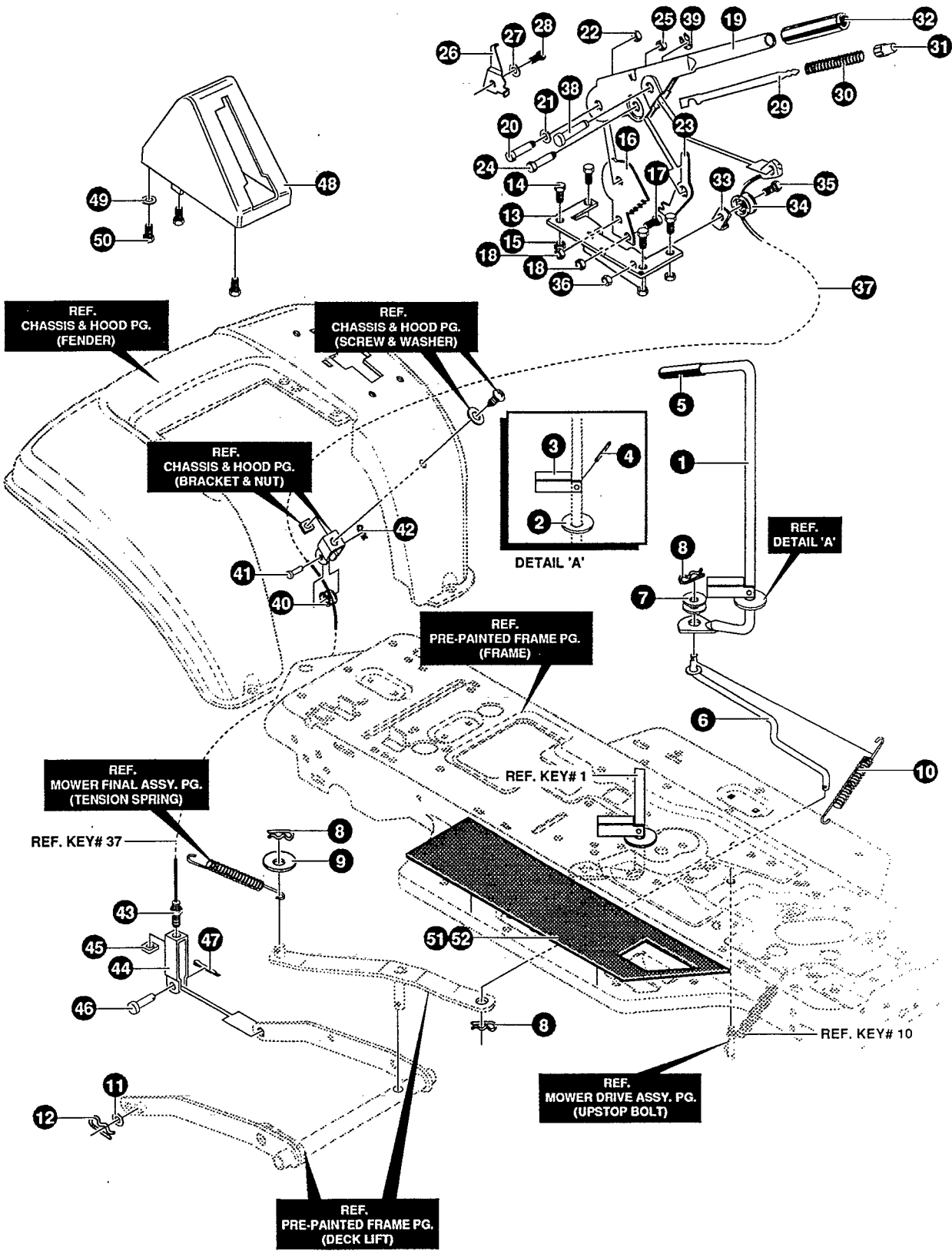
**NOTE: ALWAYS USE ORIGINAL EQUIPMENT PARTS.** Use of service/replacement parts other than original equipment parts may void your warranty.

**ALL UNNUMBERED ITEMS ARE INTERCHANGEABLE WITH OPPOSITE SIDE**



KEY#	PART#	DESCRIPTION	QTY
1	*	AXLE FRONT ASSEMBLY .....	1
1-1	324915	ASSEMBLY, FRONT AXLE .....	1
1-2	50546	BEARING, FLANGE .....	4
1-3	310368	SPINDLE ASSEMBLY, RH .....	1
1-4	36625	RING, RETEX .....	1
1-5	310367	SPINDLE ASSEMBLY, LH .....	1
1-6	327619	ARM ASSEMBLY .....	1
1-7	454565	PIN, SPRING .....	1
2	29616	BOLT, .625 X 1.890 .....	1
3	274654	NUT, 1/2-20 .....	1
4	180138	SCREW, 3/8-16 X 3.00 .....	2
5	2483	WASHER, .391D X 1.25D X .07 .....	2
6	1499	NUT, 3/8-16 .....	2
7	302688	TIE ROD .....	1
8	180124	SCREW, 3/8-16 X 1.25 .....	2
9	120382	WASHER, .393 X .68 X .10 .....	2
10	1499	NUT, 3/8-16 .....	2
11	327399	GEAR, SECTOR .....	1
12	333289	PLATE SECTOR .....	2
13	330021	BUSHING, SECTOR .....	1
14	181643	SCREW, 3/8-24 X 1.50 .....	1
15	845	WASHER, FLAT .390 X 1.25 X .119 .....	2
16	412349	NUT, 3/8-24 .....	1
17	57158	BALL JOINT .....	2
18	412349	NUT, 3/8-24 .....	2
19	327834	SHAFT, PIN-STEER .....	1
20	325692	BEARING, FLANGE .....	1
21	326505	SCREW 1/4-20 X .75 .....	2
22	46931	NUT, 1/4-20 .....	2
23	20864	RING, RET E .....	1
24	692287	TIRE & RIM ASSEMBLY 15 X 6-.6 .....	2
24-1	338512	VALVE STEM .....	2
24-2	338517	RIM, WHEEL .....	2
24-3	338513	BEARING .....	2
24-4	338516	TIRE, 15 X 6-6 .....	2
25	642	WASHER, FLAT .755 X 1.31 X .075 .....	4
26	36625	RING, RETEX .....	2
27	40394	HUB CAP .....	2
28	124925	NUT, 3/8-24 .....	2
29	56190	DRAG LINK .....	1

\* ORDER INDIVIDUAL PARTS - ASSEMBLY NOT AVAILABLE

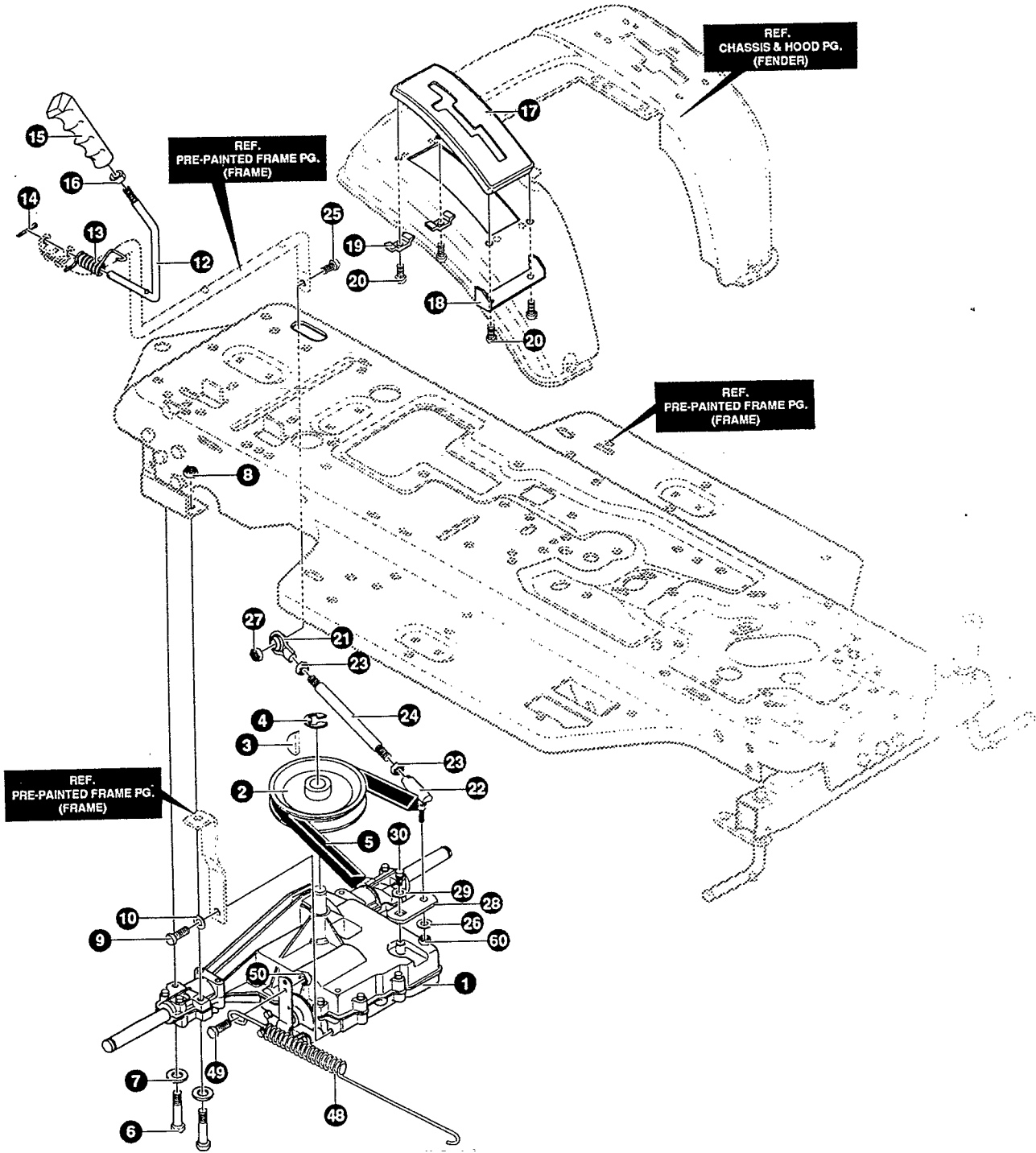


**NOTE: ALWAYS USE ORIGINAL EQUIPMENT PARTS.** Use of service/replacement parts other than original equipment parts may void your warranty.

**ALL UNNUMBERED ITEMS ARE INTERCHANGEABLE WITH OPPOSITE SIDE**

338285 A

KEY#	PART#	DESCRIPTION	QTY
1	325591	LEVER, CLUTCH, RH, PTO .....	1
2	22265	WASHER, FLAT .515 X 1.38 X .119 .....	1
3	305225	STOP, PTO ENGAGE .....	1
4	326386	PIN, SPRING .....	1
5	321837	KNOB, ROUND ..... 321 614	1
6	325590	ROD, BELCRANK LINK .....	1
7	274517	WASHER, FLAT .406 X .73 X .063 .....	2
8	8260	PIN, HAIR .....	3
9	25210	WASHER, FLAT .386 X 1.25 X .09 .....	1
10	325802	SPRING, TENSION .....	1
11	417098	WASHER, FLAT .531 X 1.06 X .063 .....	2
12	8260	PIN, HAIR .....	2
13	313926	BRACKET, HEIGHT ADJUST .....	1
14	180077	SCREW, 5/16-18 X .75 .....	4
15	1498	NUT, 5/16-18 .....	4
16	301238	QUADRANT, HEIGHT ADJUST .....	1
17	180077	SCREW, 5/16-18 X .75 .....	2
18	1498	NUT, 5/16-18 .....	2
19	322292-853	HANDLE, LIFT .....	1
20	300171	BOLT, .500 X .270 .....	1
21	996418	WASHER, FLAT .506 X .75 X .024 .....	1
22	44108	NUT, 5/16-18 .....	1
23	301239	PAWL, SQUARE .....	1
24	300171	BOLT, .500 X .270 .....	1
25	44108	NUT, 5/16-18 .....	1
26	9435	POINTER, HEIGHT ADJUST .....	1
27	138479	WASHER, .195 X .41 X .03 .....	1
28	35287	SCREW, #8-32 X .38 .....	1
29	303027	ROD, ACTUATOR-SHORT .....	1
30	58326	SPRING, HEIGHT ADJUST .....	1
31	58325	KNOB, HEIGHT ADJUST PUSH BUTTON .....	1
32	58329	GRIP, .750 OD W/ HOLE BLACK .....	1
33	9149	BRACKET, CABLE RETAINER .....	1
34	48306	PULLEY, METAL .....	1
35	58336	BOLT, .375 X .375 .....	1
36	1502	NUT, 1/4-20 .....	1
37	321430	CABLE, LIFT 21.50 .....	1
38	300310	PIN, CLEVIS .....	1
39	300311	RING, RET E .....	1
40	48306	PULLEY, METAL .....	1
41	300317	PIN, CLEVIS .....	1
42	8260	PIN, HAIR .....	1
43	120375	NUT, 1/4-20 .....	1
44	9405	CLEVIS, LIFT CABLE .....	1
45	120372	NUT, 1/4-20 .....	1
46	39522	PIN, CLEVIS .....	1
47	121222	PIN, COTTER .....	1
48	333903	LIFT COVER .....	1
49	120392	WASHER, FLAT .281 X .63 X .065 .....	1
50	300340	SCREW, #10 X .75 .....	3
51	331834	FOOT PAD, GRIT, RH .....	1
52	331835	FOOT PAD, GRIT, LH .....	1



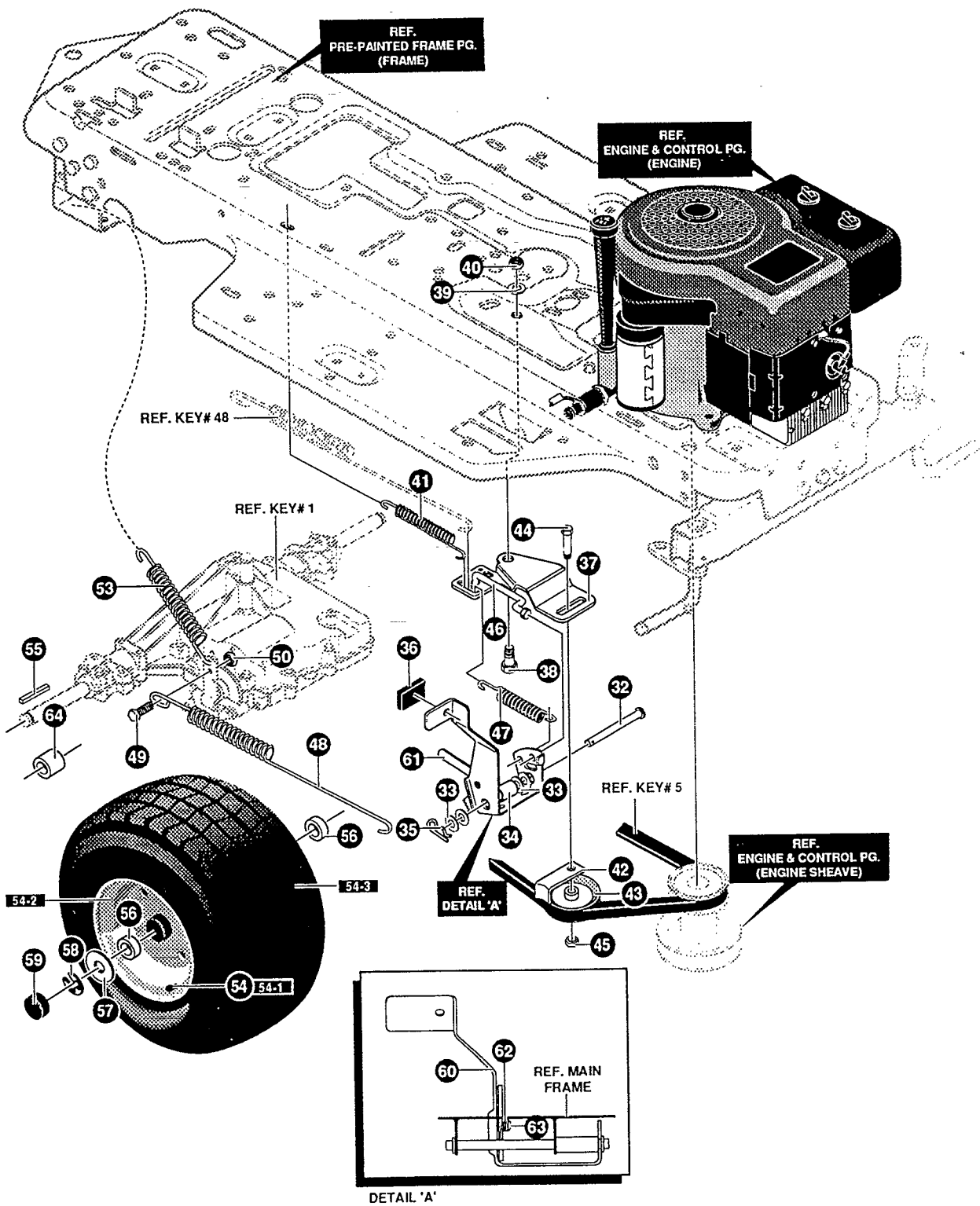
**NOTE: ALWAYS USE ORIGINAL EQUIPMENT PARTS.** Use of service/replacement parts other than original equipment parts may void your warranty.

**ALL UNNUMBERED ITEMS ARE INTERCHANGEABLE WITH OPPOSITE SIDE**

338367 B

KEY#	PART#	DESCRIPTION	QTY
1	*	TRANSAXLE .....	1
2	303109	PULLEY, 6.6 OD .....	1
3	50795	KEY, HI-PRO .....	1
4	22053	RING, RETEX .....	1
5	338017	BELT, V 4L 85.00 .....	1
6	180091	SCREW, 5/16-18 X 2.50 .....	4
7	120393	WASHER, FLAT .344 X .69 X .065 .....	4
8	1498	NUT, 5/16-18 .....	4
9	35498	SCREW, 5/16-18 X .75 .....	1
10	120638	WASHER, .328 X .60 X .09 .....	1
12	309635	LEVER, SHIFT UPPER .....	1
13	310265	SPRING, TORSION .....	1
14	137185	PIN, COTTER .....	1
15	331624	KNOB, ROUND .....	1
16	120238	NUT, 1/2-13 .....	1
17	311209	COVER PLASTIC .....	1
18	311257-853	BRACKET COVER .....	1
19	1341	CLAMP, SPRING .....	2
20	311331	SCREW, 1/4-15 X .441.53 .....	4
21	304260	BALL JOINT, RH .....	1
22	57158	BALL JOINT 3/8 .....	1
23	124925	NUT, 3/8-24 .....	2
24	329056	SHIFT ROD .....	1
25	71015	SCREW, 3/8-24 X 1.00 .....	1
26	120382	WASHER, .393 X .68 X .10 .....	1
27	412349	NUT, 3/8-24 .....	2
28	309637	BRACKET, SHIFT .....	1
29	57157	WASHER, .750 X .250 .....	1
30	56255	SCREW, 1/4-28 X .75 .....	1
48	334175	SPRING, BRAKE .....	1
49	326131	BOLT, .495 X .31 .....	1
50	1498	NUT, 5/16-18 .....	1
60	120369	NUT, 3/8-24 .....	1

\* CONTACT YOUR NEAREST TRANSAXLE DEALER FOR PARTS & SERVICE

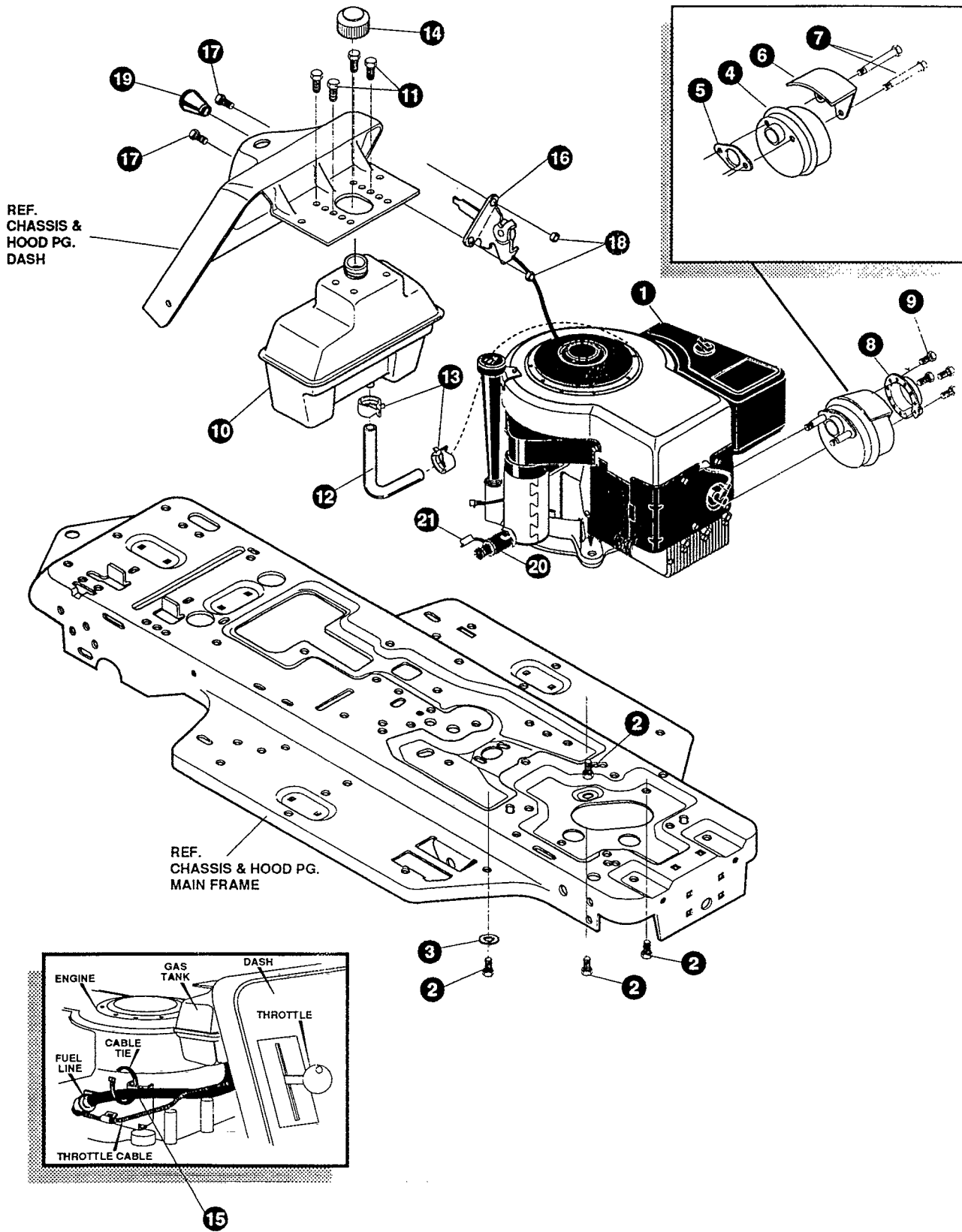


**NOTE: ALWAYS USE ORIGINAL EQUIPMENT PARTS.** Use of service/replacement parts other than original equipment parts may void your warranty.

**ALL UNNUMBERED ITEMS ARE INTERCHANGEABLE WITH OPPOSITE SIDE**

338367 B

KEY#	PART#	DESCRIPTION	QTY
31	331438-853	PEDAL, BRAKE, CLUTCH .....	1
32	319676	PIN, CLEVIS .....	1
33	2968	WASHER, FLAT .504 X .75 X .059 .....	4
34	331972	SPACER, SLEEVE .....	1
35	56180	PIN, HAIR .....	1
36	48761	PAD, CLUTCH/BRAKE PEDAL .....	1
37	321969	IDLER ARM BRACKET .....	1
38	329989	BOLT, .625 X .135 .....	1
39	45602	WASHER, FLAT .333 X .87 X .119 .....	1
40	1498	NUT, 5/16-18 .....	1
41	327867	SPRING, TENSION .....	1
42	39659	RETAINER, BELT .....	1
43	35374	PULLEY, IDLER .....	1
44	45892	BOLT, 3/8-16 X 1.50 .....	1
45	1499	NUT, 3/8-16 .....	1
46	333175	CLUTCH ROD ASSEMBLY .....	1
47	326780	SPRING, TENSION .....	1
53	35410	SPRING .....	1
54	692290	TIRE & RIM ASSEMBLY, 20 X 8-8 .....	2
54-1	338512	VALVE STEM	
54-2	338524	RIM, WHEEL	
54-3	338526	TIRE, 20 X 8-8	
55	52928	KEY, SQUARE .....	2
56	642	WASHER, FLAT .755 X 1.31 X .075 .....	4
57	42815	WASHER, FLAT .755 X 1.53 X .07 .....	2
58	36625	RING, RETEX .....	2
59	40394	HUB CAP .....	2
61	9016	LEVER, PARK BRAKE .....	1
62	57828	SPRING, PARKING BRAKE .....	1
63	57829	RIVET .....	1
64	338184	SPACER .....	2



**NOTE: ALWAYS USE ORIGINAL EQUIPMENT PARTS. Use of service/replacement parts other than original equipment parts may void your warranty.**

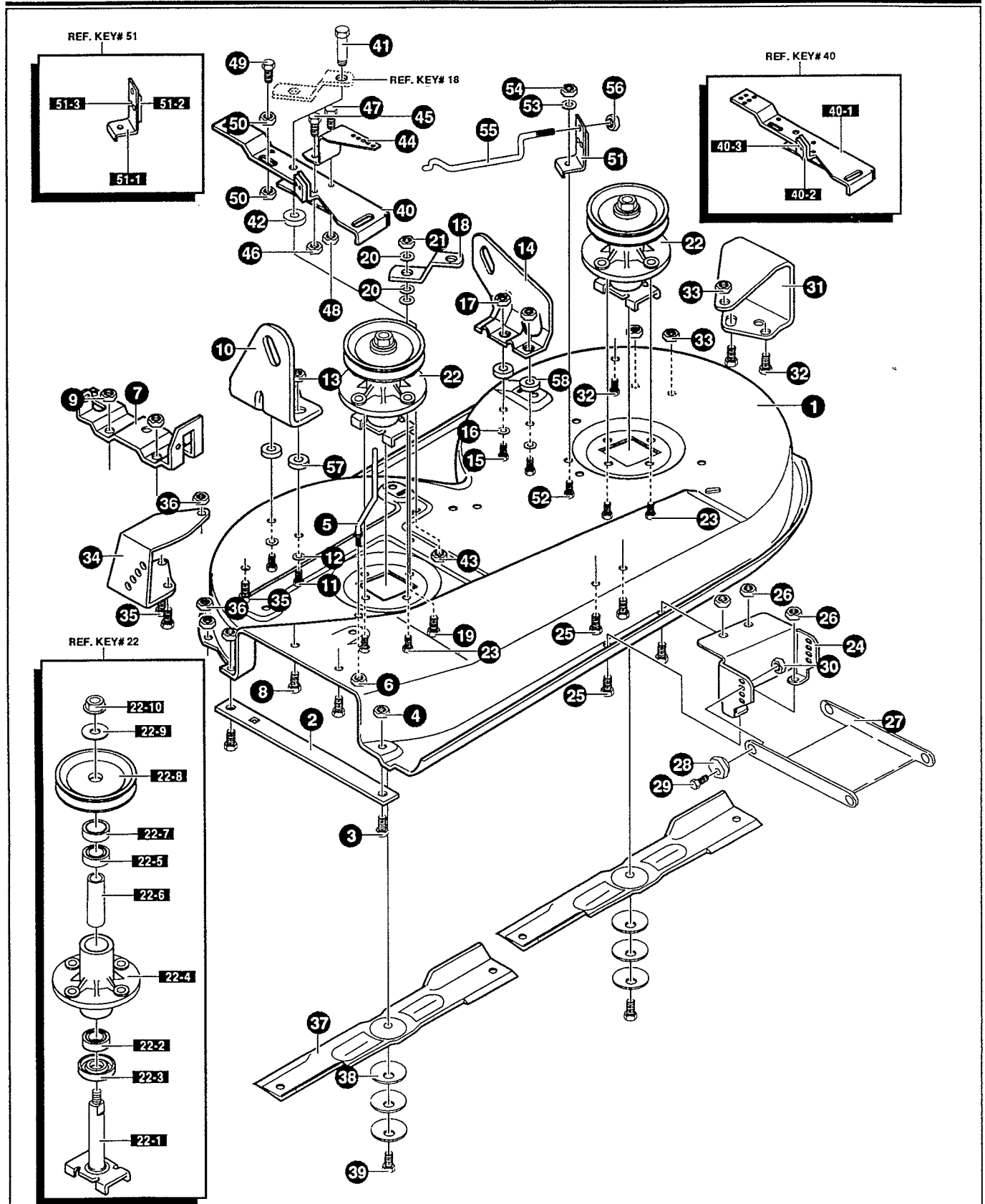
**ALL UNNUMBERED ITEMS ARE INTERCHANGEABLE WITH OPPOSITE SIDE**

326553 D



KEY#	PART#	DESCRIPTION	QTY
1	*	ENGINE, 12-12.5HP .....	1
2	50947	SCREW, 3/8-16 X 1.25 .....	4
3	138489	WASHER, .384 X .69 X .04 .....	1
4	57908	MUFFLER .....	1
5	46708	GASKET, MUFFLER .....	1
6	54767	SHIELD, HEAT .....	1
7	54980	SCREW, 5/16-18 X 3.50 .....	2
8	56472	DEFLECTOR SIDE OUT .....	1
9	35287	SCREW, #8-32 X .38 .....	4
10	314989	TANK, FUEL 1 GALLON .....	1
11	300303	SCREW, .25 X .75 X .51 .....	4
12	42258	TUBING, .25 X .50 X BULK GAS LINE .....	12 C
13	47345	CLAMP, FUEL LINE .....	2
14	46704	CAP, GAS .....	1
15	57444	TIE, CABLE .....	1
16	320031	THROTTLE CONTROL .....	1
17	274707	SCREW, 10-24 X .50 .....	2
18	308459	NUT, #10-24 .....	2
19	50607	KNOB, ROUND THROTTLE .....	1

\* SEE ENGINE MANUAL

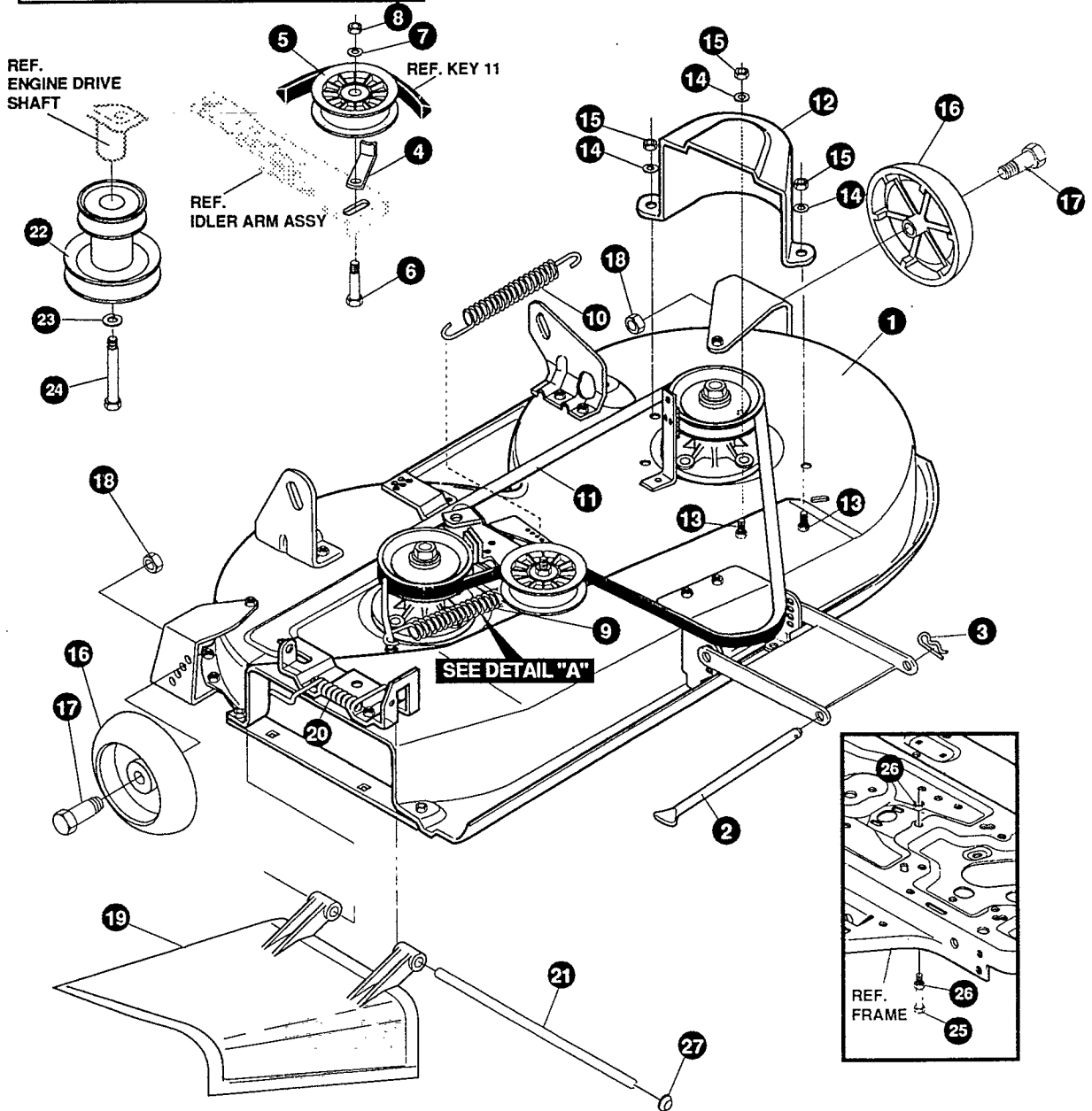
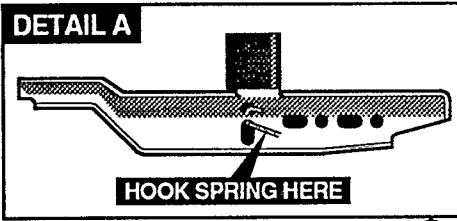


**NOTE: ALWAYS USE ORIGINAL EQUIPMENT PARTS.** Use of service/replacement parts other than original equipment parts may void your warranty.

**ALL UNNUMBERED ITEMS ARE INTERCHANGEABLE WITH OPPOSITE SIDE**

333272 1D

KEY#	PART#	DESCRIPTION	QTY
1	325106	39" DECK KIT .....	1
2	326295	BAR, SKID .....	1
3	126216	BOLT, 5/16-18 X .75 .....	2
4	271184	NUT, 5/16-18 .....	2
5	57318	GUIDE, BELT .....	1
6	1498	NUT, 5/16-18 .....	1
7	313928	BRACKET, CHUTE .....	1
8	180073	SCREW, 5/16-18 X .50 .....	2
9	1498	NUT, 5/16-18 .....	2
10	313929	BRACKET, RH, LIFT REAR .....	1
11	180081	SCREW, 5/16-18 X 1.25 .....	2
12	120393	WASHER, FLAT .344 X .69 X .065 .....	2
13	1498	NUT, 5/16-18 .....	2
14	310667	BRACKET, LH, LIFT REAR .....	1
15	180081	SCREW, 5/16-18 X 1.25 .....	2
16	120393	WASHER, FLAT .344 X .69 X .065 .....	2
17	1498	NUT, 5/16-18 .....	2
18	315302	BRACKET, IDLER SUPPORT .....	1
19	300345	SCREW, 5/16-18 X 1.38 .....	1
20	120393	WASHER, FLAT .344 X .69 X .065 .....	3
21	1498	NUT, 5/16-18 .....	1
22	337734	QUILL ASSEMBLY .....	2
22-1	56425	SHAFT/SADDLE .....	1
22-2	49562	BEARING, BALL .....	1
22-3	50616	DUST SHIELD .....	1
22-4	55547	QUILL CASTING .....	1
22-5	49562	BEARING, BALL .....	1
22-6	50818	SPACER, SLEEVE .669 X .88 X 3.797 .....	1
22-7	331067	SPACER, QUILL .....	1
22-8	333132	PULLEY, QUILL .....	1
22-9	56365	WASHER, SPECIAL .....	1
22-10	1282	NUT, 7/16-20 .....	1
23	35498	SCREW, 5/16-18 X .75 .....	7
24	312526	SUPPORT, LIFT DECK FRONT .....	1
25	180077	SCREW, 5/16-18 X .75 .....	4
26	1498	NUT, 5/16-18 .....	4
31	312477	BRACKET, LH, WHEEL .....	1
32	180077	SCREW, 5/16-18 X .75 .....	3
33	1498	NUT, 5/16-18 .....	3
34	300102	WHEEL BRACKET, RH .....	1
35	180077	SCREW, 5/16-18 X .75 .....	3
36	1498	NUT, 5/16-18 .....	3
37	309069	BLADE, 19.69 .....	2
38	2483	WASHER, .39 ID X 1.25 D X .07 .....	6
39	39573	SCREW, 3/8-24 X 1.00 .....	2
40	300491	IDLER ARM ASSEMBLY .....	1
40-1	300490	IDLER ARM .....	1
40-2	306973	BRAKE PAD .....	1
40-3	41601	RIVET .....	2
41	300180	BOLT, .50 X 1.88 .....	1
42	996416	WASHER, FLAT .391 X 1.00 X .125 .....	1
43	45171	NUT, 3/8-16 .....	1
44	326249	BRACKET, EXTENSION IDLER .....	1
45	180077	SCREW, 5/16-18 X .75 .....	1
46	1498	NUT, 5/16-18 .....	1
47	180020	SCREW, 1/4-20 X .75 .....	1
48	1502	NUT, 1/4-20 .....	1
49	121954	SCREW, 1/4-20 X 2.00 .....	1
50	271172	NUT, 1/4-20 .....	2
51	303247	ASSEMBLY, BLADE BRAKE .....	1
51-1	303246	BRAKE ARM .....	1
51-2	306973	BRAKE PAD .....	1
51-3	135624	RIVET .....	2
52	180077	SCREW, 5/16-18 X .75 .....	1
53	120393	WASHER, FLAT .344 X .69 X .065 .....	1
54	1498	NUT, 5/16-18 .....	1
55	300316	ROD, BRAKE RELEASE .....	1
56	1502	NUT, 1/4-20 .....	1
57	314702	SPACER, SLEEVE .344 X 1.00 X .500 .....	2
58	314702	SPACER, SLEEVE .344 X 1.00 X .500 .....	2



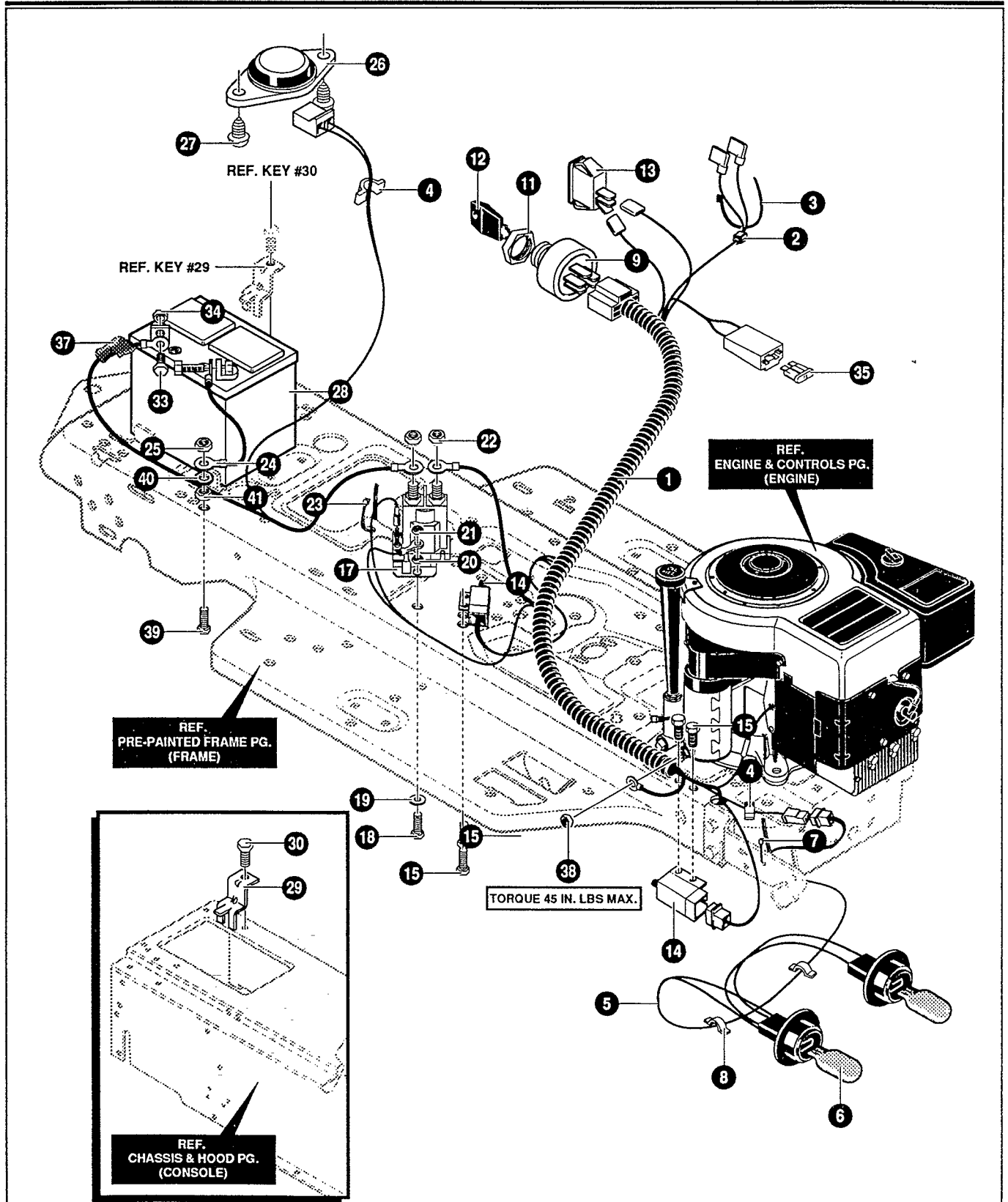
**NOTE: ALWAYS USE ORIGINAL EQUIPMENT PARTS.** Use of service/replacement parts other than original equipment parts may void your warranty.

**ALL UNNUMBERED ITEMS ARE INTERCHANGEABLE WITH OPPOSITE SIDE**

333274 B

KEY#	PART#	DESCRIPTION	QTY
1	*	ASSEMBLY, DECK, 39" .....	1
2	58306	ROD, DECK HITCH .....	1
3	8260	PIN, HAIR .....	1
4	1346	RETAINER, BELT .....	1
5	310326	PULLEY, IDLER .....	1
6	57325	BOLT, 3/8-16 X 2.00 .....	1
7	120382	WASHER, .393 X .68 X .10 .....	1
8	120377	NUT, 3/8-16 .....	1
9	322064	SPRING, .75 X 8.4 X .105 .....	1
10	326256	SPRING, .75 X 10.0 X .105 .....	1
11	300680	BELT, V 5L, 77.75 .....	1
12	328257	GUARD, BELT, LH .....	1
13	180077	SCREW, 5/16-18 X .75 .....	3
14	120393	WASHER, FLAT .344 X .69 X .065 .....	3
15	1498	NUT, 5/16-18 .....	3
16	302611	GAUGE WHEEL .....	2
17	23763	BOLT, .500 X 1.390 .....	2
18	1499	NUT, 3/8-16 .....	2
19	57818	CHUTE DEFLECTOR .....	1
20	314975	SPRING, TORSION .....	1
21	334908	KIT FOR 57317 PIVOT ROD .....	1
22	328034	PULLEY, ENGINE .....	1
23	120383	WASHER, .459 X .78 X .12 .....	1
24	433146	SCREW, 7/16-20 X 4.25 .....	1
25	49930	SCREW, 3/8-16 X 7.50 .....	1
26	1499	NUT, 3/8-16 .....	2
27	332179	CAP, PUSH ON .....	1
28	58305-853	BRACKET, LINK DECK FRONT .....	1
29	58247	NUT, ADJUST .....	2
30	180079	SCREW, 5/16-18 X 1.00 .....	2
31	1498	NUT, 5/16-18 .....	2

\* REFERECE ONLY

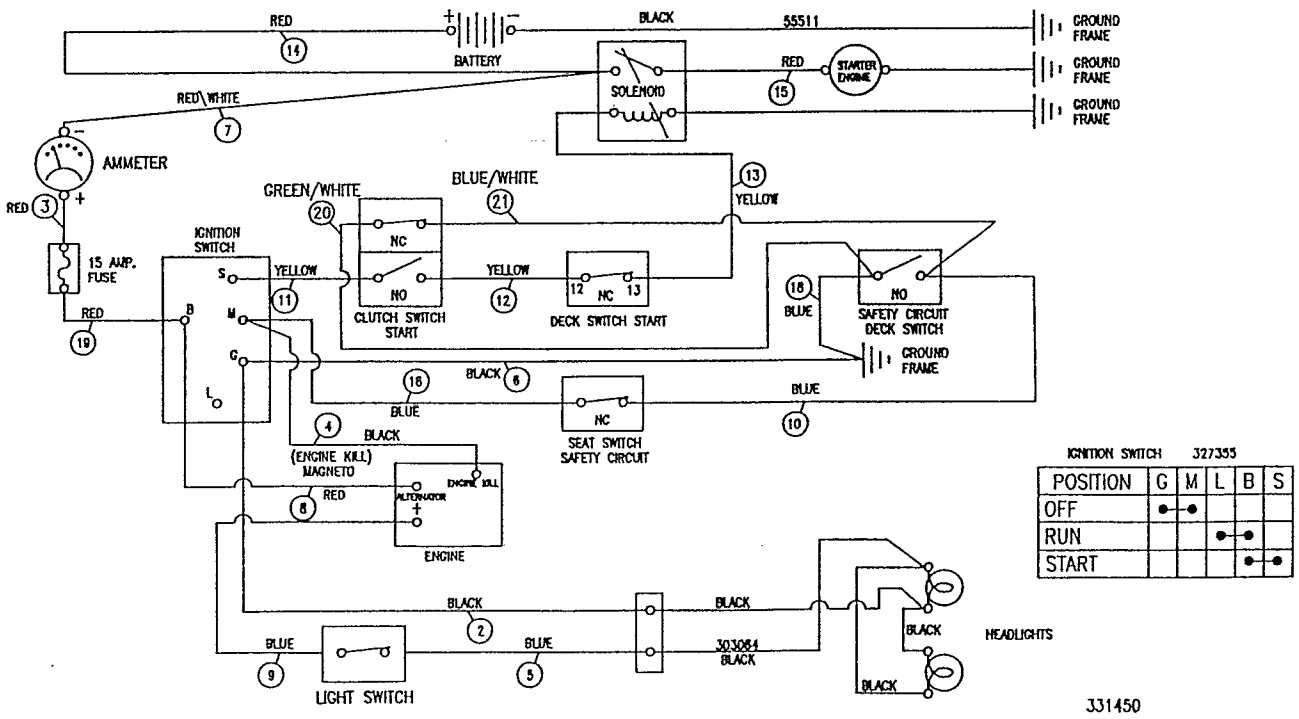


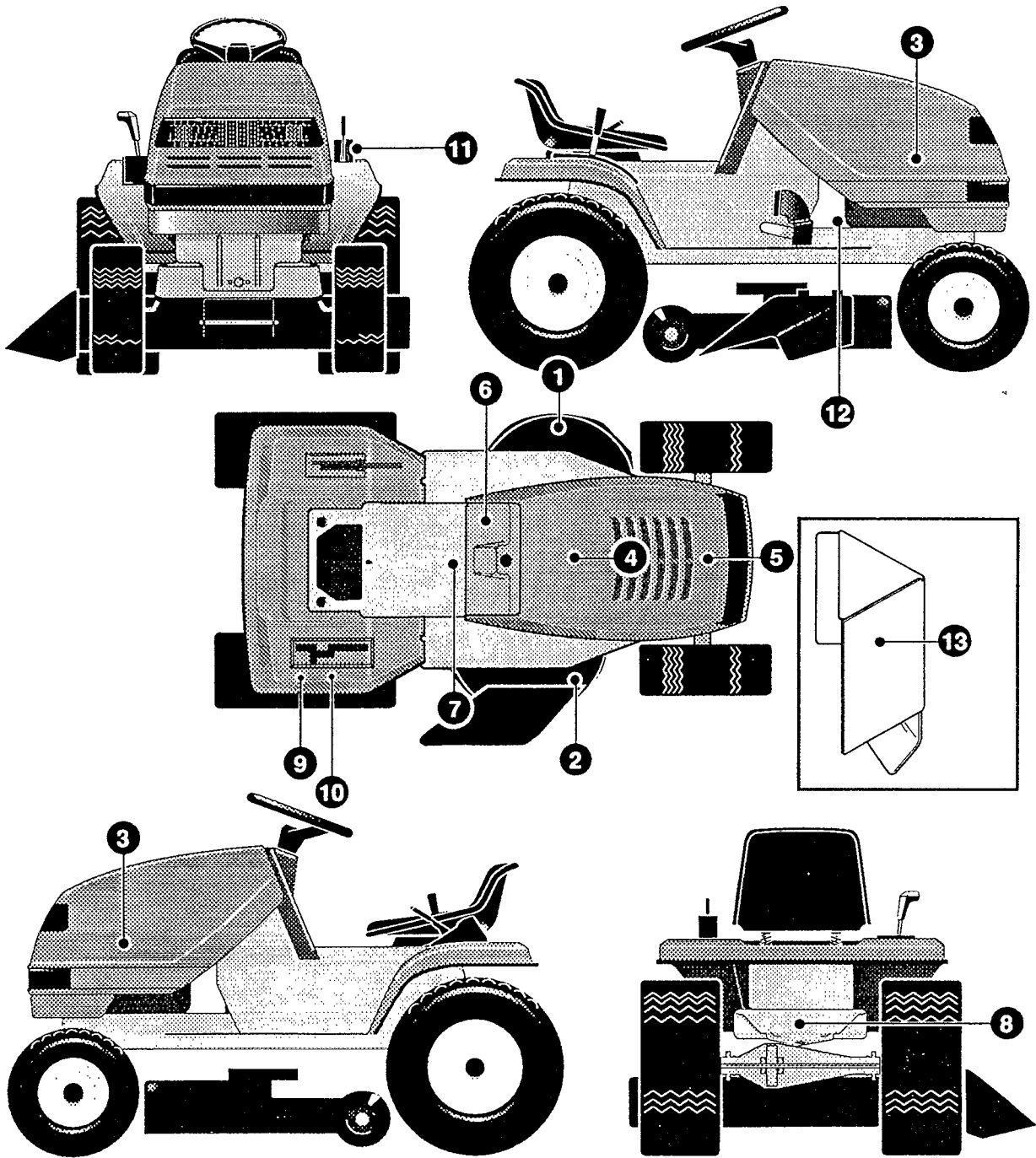
**NOTE: ALWAYS USE ORIGINAL EQUIPMENT PARTS.** Use of service/replacement parts other than original equipment parts may void your warranty.

**ALL UNNUMBERED ITEMS ARE INTERCHANGEABLE WITH OPPOSITE SIDE**

KEY#	PART#	DESCRIPTION	QTY
1	331450	WIRE HARNESS .....	1
2	322298	SPLICER .....	1
3	57444	TIE, CABLE .....	1
4	41482	PRESS CLIP .....	2
5	303064	ASSEMBLY, LIGHT WIRE .....	1
6	52572	BULB, HEADLAMP .....	2
7	57444	TIE, CABLE .....	1
8	41482	PRESS CLIP .....	2
9	327355	SWITCH-IGNITION .....	1
11	327352	NUT, 5/8-8 .....	1
12	327350	KEY, IGNITION .....	1
13	300334	LIGHT SWITCH ON/OFF PANEL MOUNT .....	1
14	57476	SWITCH, SCREW MOUNT .....	2
15	300302	SCREW, #10 X .50 .....	4
17	53716	SOLENOID .....	1
18	187745	SCREW, 1/4-20 X .75 .....	2
19	1084	WASHER, FLAT .281 X 1.00 X .063 .....	1
20	1502	NUT, 1/4-20 .....	2
21	271172	NUT, 1/4-20 .....	1
22	271187	NUT, 5/16-24 .....	2
23	57444	TIE, CABLE .....	1
24	55511	WIRE, GROUND .....	1
25	271184	NUT, 5/16-18 .....	1
26	57547	SWITCH, SEAT .....	1
27	160505	SCREW, 1/4-20 X .38 .....	2
28	302257	BATTERY, 12V .....	1
29	329175	BATTERY BRACKET .....	1
30	995346	SCREW, 1/4-20 X .50 .....	1
33	180020	SCREW, 1/4-20 X .75 .....	2
34	271172	NUT, 1/4-20 .....	2
35	302031	FUSE (INCLUDED IN WIRE HARNESS)	
37	308201	INSULATOR, BATTERY BOOT .....	1
38	124818	NUT, 1/4-20 .....	1
39	180079	SCREW, 5/16-18 X 1.00 .....	1
40	138538	WASHER, .320 X .61 X .03 .....	1
41	1498	NUT, 5/16-18 .....	1

SCHEMATIC DRAWING

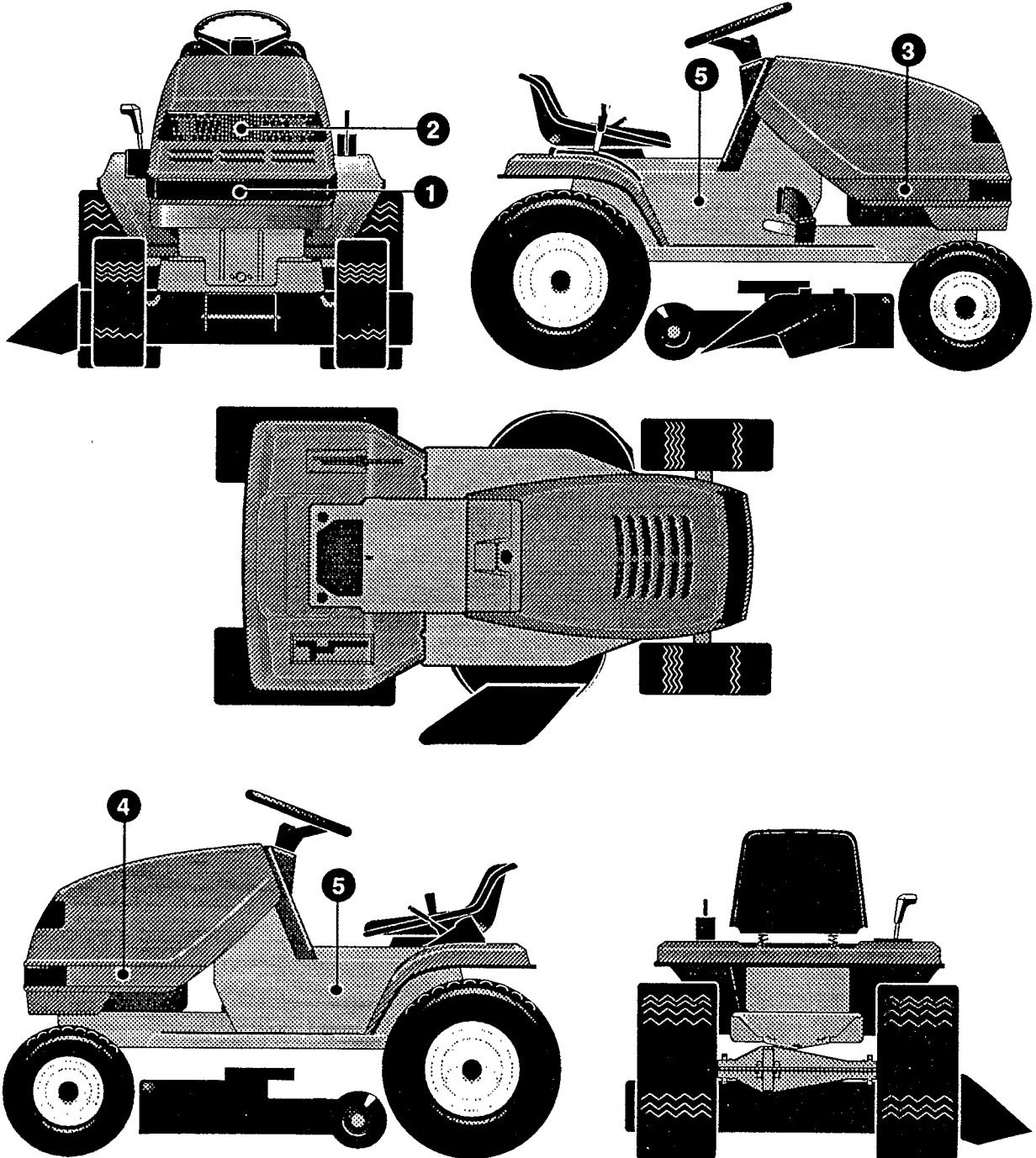




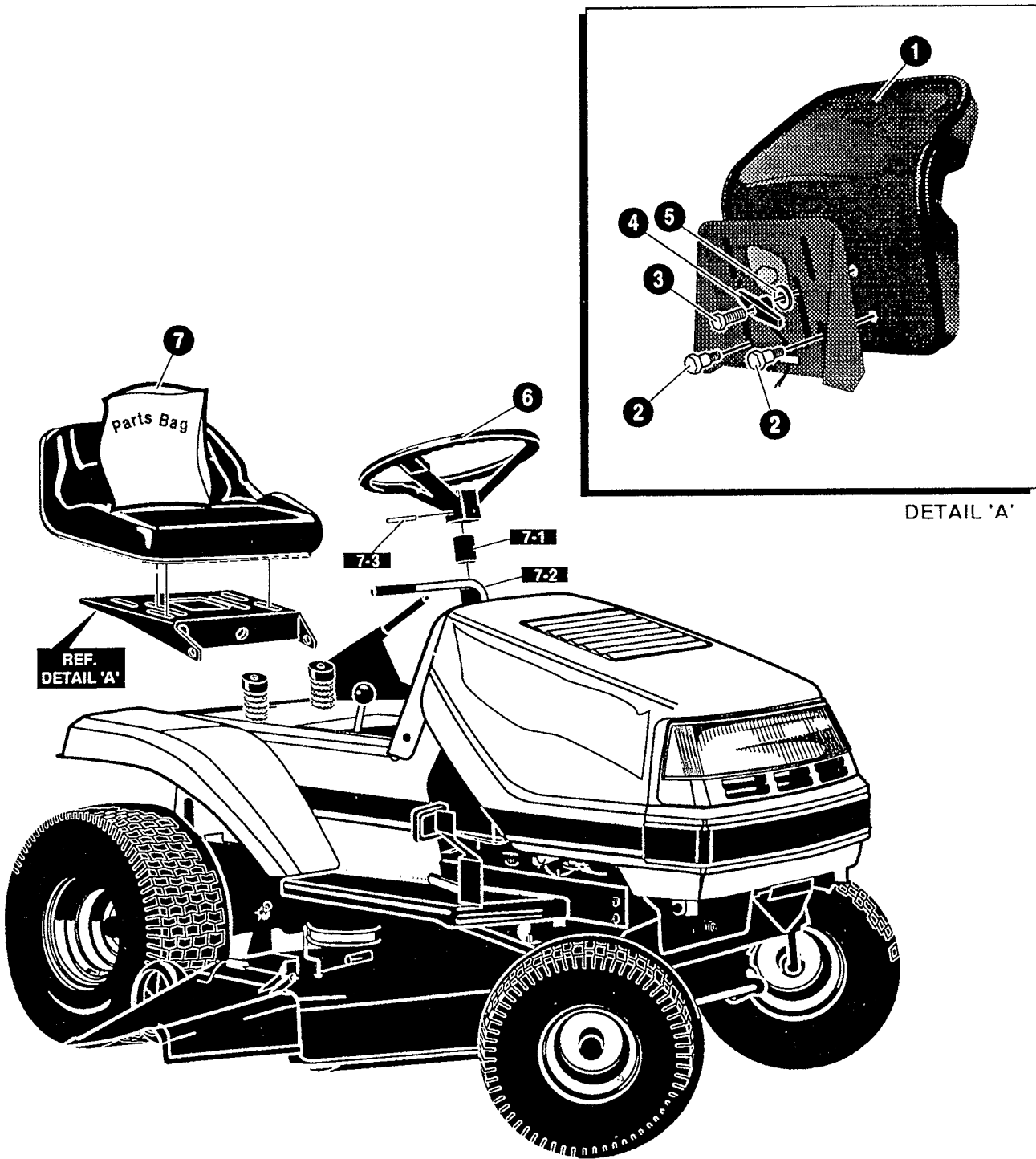
KEY#	PART#	DESCRIPTION	QTY
1	402700	DECAL, CAUTION DECK, LH	1
2	402701	DECAL, CAUTION DECK, RH	1
3	305603	PAD, 18 X 6 FOAM HOOD	2
4	307276	PAD, 15 X 7 FOAM HOOD	1
5	307277	PAD, 12 X 4 FOAM HOOD	1
6	324989	DECAL, DASH	1
7	338540	DECAL, CONSOLE SYMBOLIC	1
8	338542	DECAL, DRAWBAR WARN	1
9	311394	DECAL, SHIFT REV/NEUTRAL	1
10	331013	DECAL, SHIFTER POSITION	1
11	402214	DECAL, HEIGHT ADJUST	1
12	402702	DECAL, BRAKE/CLUTCH	1
13	338543	DECAL, HOT SURFACE WARN	1

338700 A





KEY#	PART#	DESCRIPTION	QTY
1	322699	DECAL, TAPE .....	1
2	308492	FOIL, LENS .....	1
3	402734	DECAL, TEXAS, RH .....	1
4	402733	DECAL, TEXAS, LH .....	1
5	300442	NAME PLATE, 12/39, WHITE .....	2



KEY#	PART#	DESCRIPTION	QTY
1	331525	SEAT, QUICK .....	1
2	331637	BOLT, .500 X .10 .....	2
3	180079	SCREW, 5/16-18 X 1.00 .....	1
4	643958	HANDLE, WING NUT .....	1
5	120393	WASHER, FLAT .344 X .69 X .065 .....	1
6	330510	STEERING WHEEL .....	1
7	332083	PARTS BAG, ASSEMBLY (STEERING) .....	1
7-1	331322	COVER, STEERING SHAFT .....	1
7-2	301413	SPACER, STEERING SHAFT .....	1
7-3	456378	PIN, SPRING .....	1