

# REPAIR PARTS MANUAL

## 36" - 10 H.P. LAWN TRACTOR

### MODEL B3554-480

#### ONE YEAR LIMITED WARRANTY

For one (1) year from date of purchase by the first consumer for residential use (thirty (30) days commercial use), NOMA Outdoor Products Incorporated warrants that it will replace free of charge, including labor, any original part of any NOMA Outdoor Products Incorporated product found to be defective by any authorized Service Dealer or the factory, except the battery which is warranted for ninety (90) days from date of purchase.

This warranty does not cover engine, transmission, transaxle or differential (these items are covered by their manufacturer's own warranty). This warranty does not cover parts that have failed due to normal wear or parts that have failed subject to misuse or abuse. Transportation of the unit or part to and from an authorized Service Dealer or factory is the responsibility of the owner.

A step by step explanation as to what procedure should be followed for this warranty is:

1. If a part becomes defective, contact the store where the unit was purchased for the name and address of the authorized Service Dealer nearest to you.
2. If you cannot locate an authorized Service Dealer, write Service Department of NOMA Outdoor Products Incorporated for the name and address of the authorized Service Dealer in your area or call the Service Department at 1-901-422-1690.
3. Return the defective product, along with proof of purchase to such authorized Service Dealer for replacement of any defective part where covered by this warranty.

There is no other express warranty. Implied warranties, including those of merchantability and fitness for a particular purpose are limited to one (1) year from date of purchase. Liability for incidental or consequential damages are excluded.

Some states do not allow limitations on how long an implied warranty lasts, so the above limitation may not apply to you. Some states do not allow the exclusion of incidental or consequential damages, so the above exclusion may not apply to you. This warranty gives you specific legal rights, and you may have other rights which vary from state to state.

NOMA Outdoor Products Incorporated

Caller 8000

Jackson, TN 38308-8000

#### UNIT PARTS AND SERVICE

This manual contains instructions for safety, assembly and maintenance. Read this manual carefully and completely so that you will know proper assembly, use and care of your unit. Also fill in and mail the registration card packed with the unit. For service other than covered in this manual, contact an authorized service dealer. A nationwide parts and service organization has been established to provide locally available parts and service. A list of authorized parts distributors has been included in this manual. When ordering repair parts, always give the following information: 1. The Part Name; 2. The Part Number; 3. The Quantity desired; 4. The Full (eight digit) Model Number of the unit. The model number will be found on a plate attached to the unit.



Look for this symbol.

It means - ATTENTION! BECOME ALERT! A HAZARD TO OPERATOR, BYSTANDER, PROPERTY OR EQUIPMENT MAY EXIST.

NOMA Outdoor Products Incorporated

Caller 8000

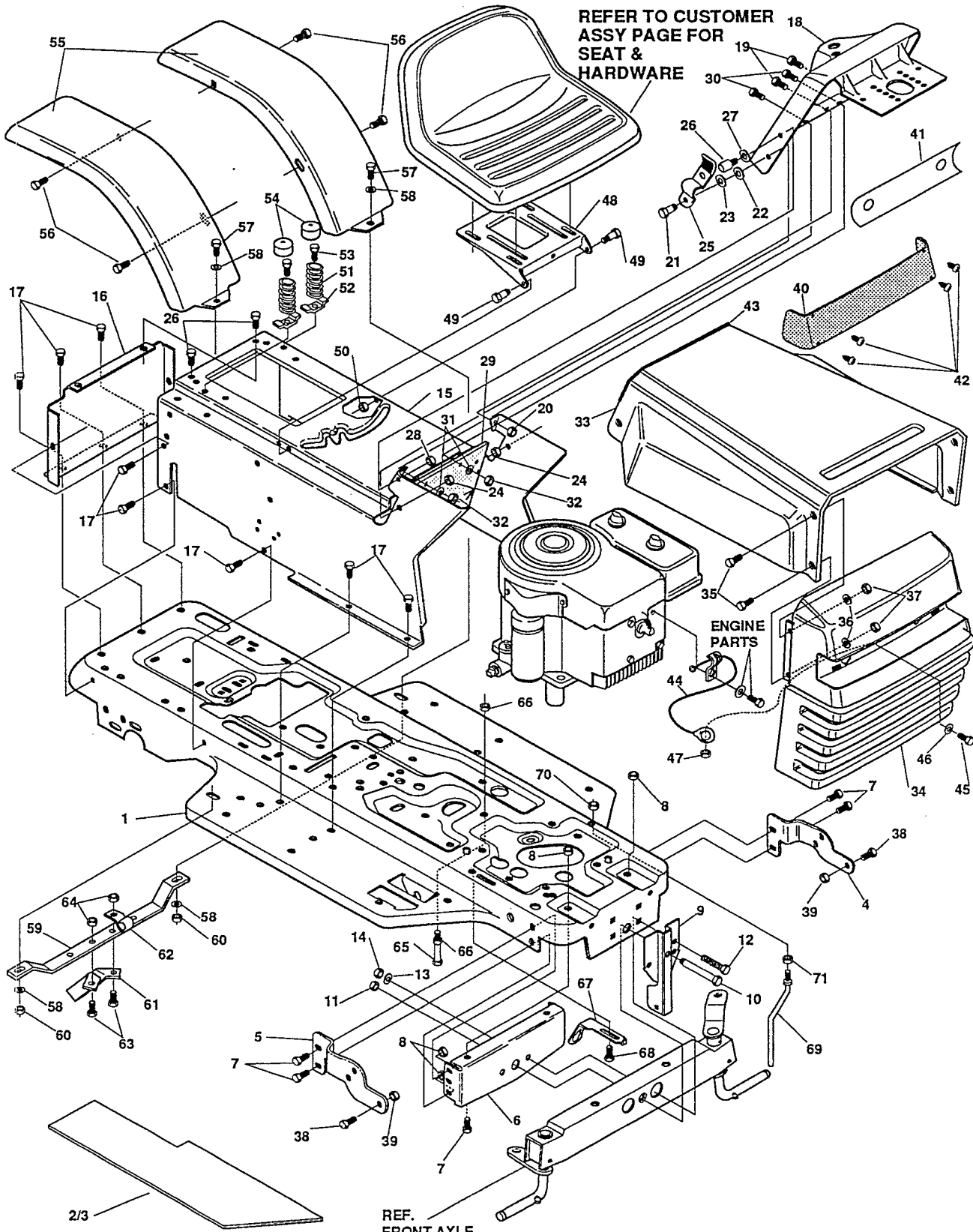
Jackson, TN 38308-8000

Part No. 317913

4990

# 36" LAWN TRACTOR MODEL B3554-480

## CHASSIS & HOOD ASSEMBLY



**NOTE: ALWAYS USE ORIGINAL EQUIPMENT PARTS.** Use of service/replacement parts other than original equipment parts may void your warranty.

**ALL UNNUMBERED ITEMS ARE INTERCHANGABLE WITH OPPOSITE SIDE**

317061B

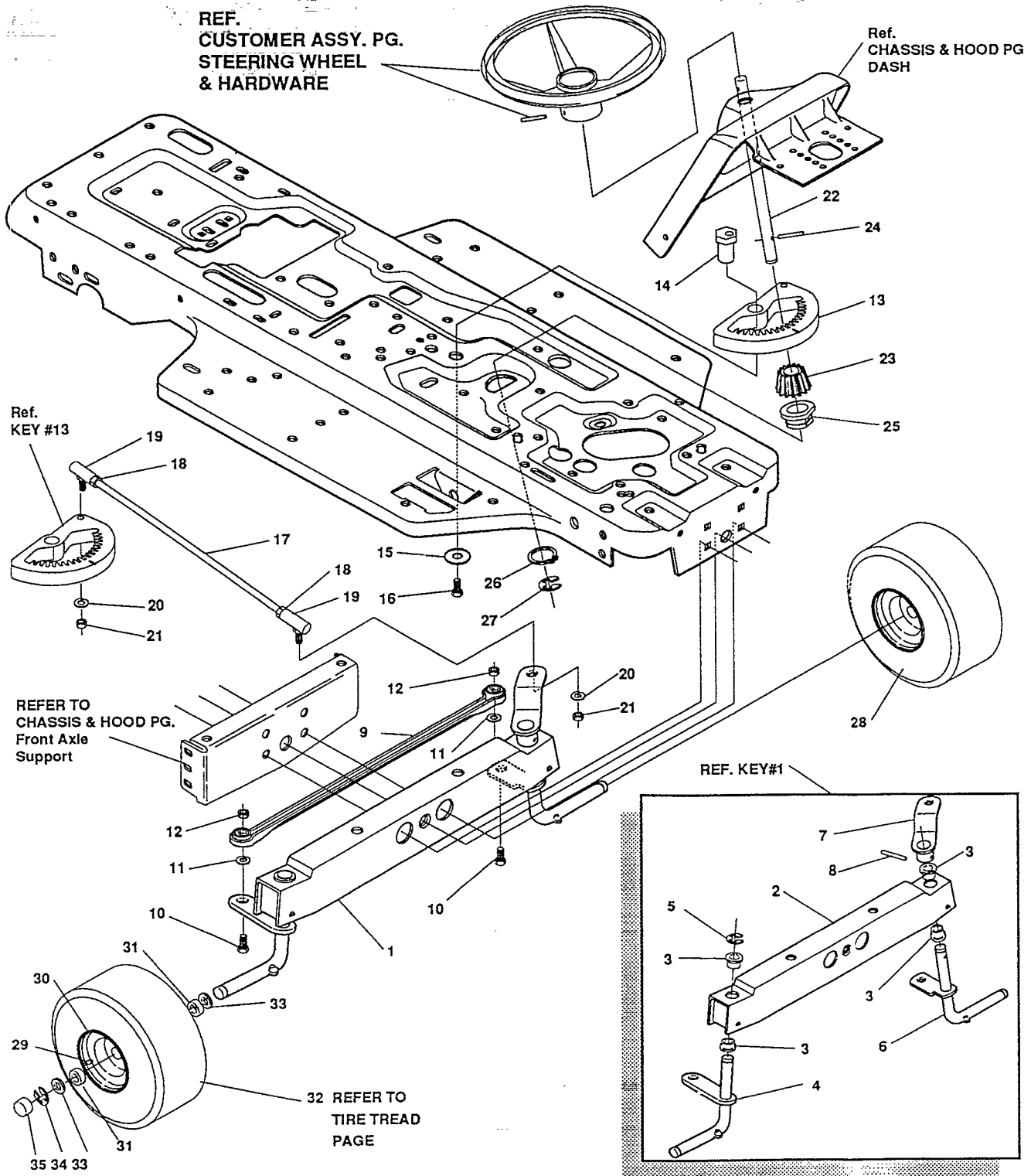
### 36" LAWN TRACTOR MODEL B3554-480

key#	part#	description	qty.
1	315066	FRAME,MAIN	1
2	302917	FOOTPAD,LH	1
3	302916	FOOTPAD,RH	1
4	316199	BRACKET,GRILLE L.H.	1
5	316200	BRACKET,GRILLE R.H.	1
6	313437	BRKT,SUPT FRT AXLE-	1
7	056030	SCREW, 5/16-18X.75WDFLLK	6
8	055273	NUT, 5/16-18 HXWDFLLK	6
9	308870	HANGER BRKT	1
10	50720	BOLT, .625X2.875 SPSH 1/2-20	1
11	0274654	NUT, 1/2-20 REGHXCTRLK	1
12	0122201	SCREW, 3/8-16X2.75 HHC	4
13	2483	WASHER, .391DX1.25DX.07 BELLVIL	4
14	01499	NUT, 3/8-16 REGHXCTRLK	4
15	309751	CONSOLE,SF DYNA STYLE TOPSH	4
16	8521	CONSOLE, REAR COVER	1
17	0995346	SCREW, 1/4-20X .50 WAHHTAP	15
18	316113	DASH	1
19	0995338	SCREW, 1/4-20X .63 HHWATAP	2
20	50352	NUT 1/4-20 WDFLLK TOP LOCK	2
21	8482	BOLT, .375X .156 HSSH 5/16-18	2
22	0120394	WASHER, FLAT .406X .81X.065	2
23	0120393	WASHER, FLAT .344X .69X.065	2
24	01498	NUT, 5/16-18 REGHEXCTRLK	2
25	57159	LATCH, .94WDX.047 ASSY HOOD	2
26	53446	PIN, 5/16-18 HOOD LATCH	2
27	0138538	WASHER, REGINTLK.320X.61X.03	2
28	045174	NUT, 5/16-18 HEXWDFLLK WHIZ	2
29	312306	BAFFLE CONSOLE SOUND EXPORT	1
30	0300314	SCREW, 1/4-20X .88WAHHTAP	2
31	0120393	WASHER, FLAT .344X .69X.065	2
32	01502	NUT, 1/4-20 REGHEXCTRLK	2
33	316489	HOOD	1
34	314476	GRILLE	1
35	0274672	SCREW, 1/4-20X .63 WAHHC	4
36	0120392	WASHER, FLAT .281X .63X.065	4
37	01502	NUT, 1/4-20 REGHEXCTRLK	4
38	36149	BOLT, .375X .500 HSSH 5/16-18	2
39	01498	NUT, 5/16-18 REGHEXCTRLK	2
40	302333	LENS HEADLAMP	1
41	314948	FOIL,LENS DYNA-PRO REFLECTOR	1
42	057796	SCREW, #6 X .50 PLASTITE	4
43	47453	EDGING,WIDE BLK	25"
44	310748	LANYARD,HOOD	1
45	121887	SCREW 1/4-20 X .75 HHC	1
46	120392	WASHER FLAT .281 X .63 X .065	1
47	1502	NUT 1/4-20 REG HEXCTRLK	1
48	305857	PLATE, SEAT	1
49	20507	BOLT, .437X .156 HSSH 5/16-18	2
50	01498	NUT, 5/16-18 REGHEXCTRLK	2
51	56220	SPRING,1.43X2.38X.162 COM SEAT	2
52	1341	CLAMP,SPRING 1.17"ID	2
53	0995346	SCREW, 1/4-20X .50 WAHHTAP	2
54	302099	SPRING COVER SF SEAT SPG	2
55	3606	FENDER	2
56	0995346	SCREW, 1/4-20X .50 WAHHTAP	4
57	0122017	SCREW, 5/16-18X1.00 HHC	2
58	0446363	WASHER, FLAT .375X .88X.082	4
59	43964	SUPPORT, GUIDE	1
60	01498	NUT, 5/16-18 REGHEXCTRLK	2
61	44500	BRACKET, DECK GUIDE	1
62	57569	RETAINER, .311D X.62 X .03 WIRE	1
63	122017	SCREW 5/16-18 X 1.00 HHC	2
64	1498	NUT 5/16-18 REGHEXCTRLK	2
65	049930	SCREW, 3/8-16X7.50 HHC	1
66	01499	NUT, 3/8-16 REGHXCTRLK	2
67	312953	BRACKET,SWITCH MOUNT	1
68	0995346	SCREW, 1/4-20X .50 WAHHTAP	1
69	50653	GUIDE, BELT	1
70	041529	NUT, 3/8-16 HXCTRLKJAM	1
71	0271190	NUT, 3/8-16 HEXKEPS	1
72	12563C	OPERATOR'S MANUAL (NOT ILLUSTRATED)	1
73	317913	PARTS MANUAL (NOT ILLUSTRATED)	1

◊ Indicates STANDARD HARDWARE ITEMS.

# 36" LAWN TRACTOR MODEL B3554-480

## STEERING ASSEMBLY



ALL UNNUMBERED ITEMS ARE INTERCHANGABLE WITH OPPOSITE SIDE

**NOTE: ALWAYS USE ORIGINAL EQUIPMENT PARTS.** Use of service/replacement parts other than original equipment parts may void your warranty.

315005B

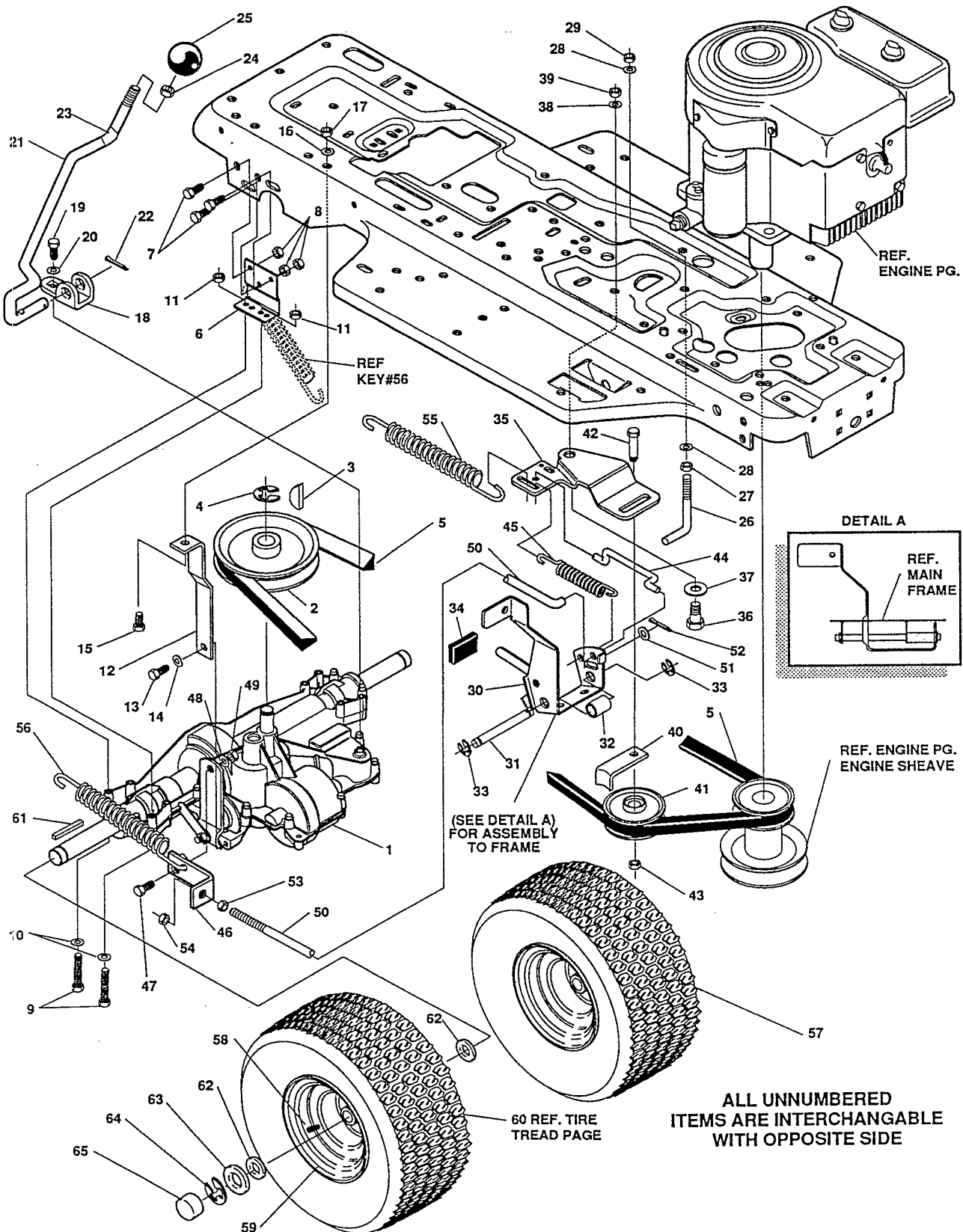
### 36" LAWN TRACTOR MODEL B3554-480

key#	part#	description	qty.
1	*	FRONT AXLE ASSEMBLY SF	1
2	56400	AXLE, FRONT	1
3	50546	BEARING, FLANGE	4
4	310368	SPINDLE, RH	1
5	36625	RING, RETEX	1
6	310367	SPINDLE, LH	1
7	49447	ARM, STEERING LH	1
8	454565	PIN, SPRING	1
9	302691	TIE ROD	1
10	◇ 122145	SCREW, 3/8-16X1.25 HHC	2
11	◇ 120382	WASHER, .393X.68X.10 REGSPTLK	2
12	◇ 1499	NUT, 3/8-16 REGHCTRLK	2
13	304245	SECTOR, GEAR	1
14	44011	BOLT, .750X1.40 SPSH	1
15	2483	WASHER, .39IDX1.25ODX.07	1
16	39573	SCREW, 3/8-24X1.00 NYL	1
17	56190	DRAG LINK	1
18	◇ 124925	NUT, 3/8-24 REGHEXJAM	2
19	21275	BALL JOINT	2
20	◇ 120382	WASHER, REGSPTLK	2
21	◇ 120369	NUT, 3/8-24 REGHEX	2
22	314109	STEERING SHAFT	1
23	44009	PINION, STEERING SHAFT	1
24	454565	PIN, SPRING	1
25	54902	BEARING, 1.370X.50 FLANGE STEERING	1
26	39492	RING, RETEX 1.27X.05	1
27	36625	RING, RETEX .57X.05	1
28	*	ASSEMBLY, TIRE & RIM	2
29	24167	VALVE STEM	1
30	39937	WHEEL W/BEARING	1
31	39979	BEARING, 1.38ODX.753ID FLANGE	2
32		REFER TO TIRE TREAD PAGE	
33	642	WASHER, FLAT .755X1.31X.075	4
34	36625	RING, RETEX .57X.05	2
35	40394	HUB CAP	2

\* ORDER INDIVIDUAL PARTS.  
 ◇ Indicates STANDARD HARDWARE ITEMS.

# 36" LAWN TRACTOR MODEL B3554-480

## MOTION DRIVE ASSEMBLY



**NOTE: ALWAYS USE ORIGINAL EQUIPMENT PARTS.**  
Use of service/replacement parts other than original equipment parts may void your warranty.

317059A

### 36" LAWN TRACTOR MODEL B3554-480

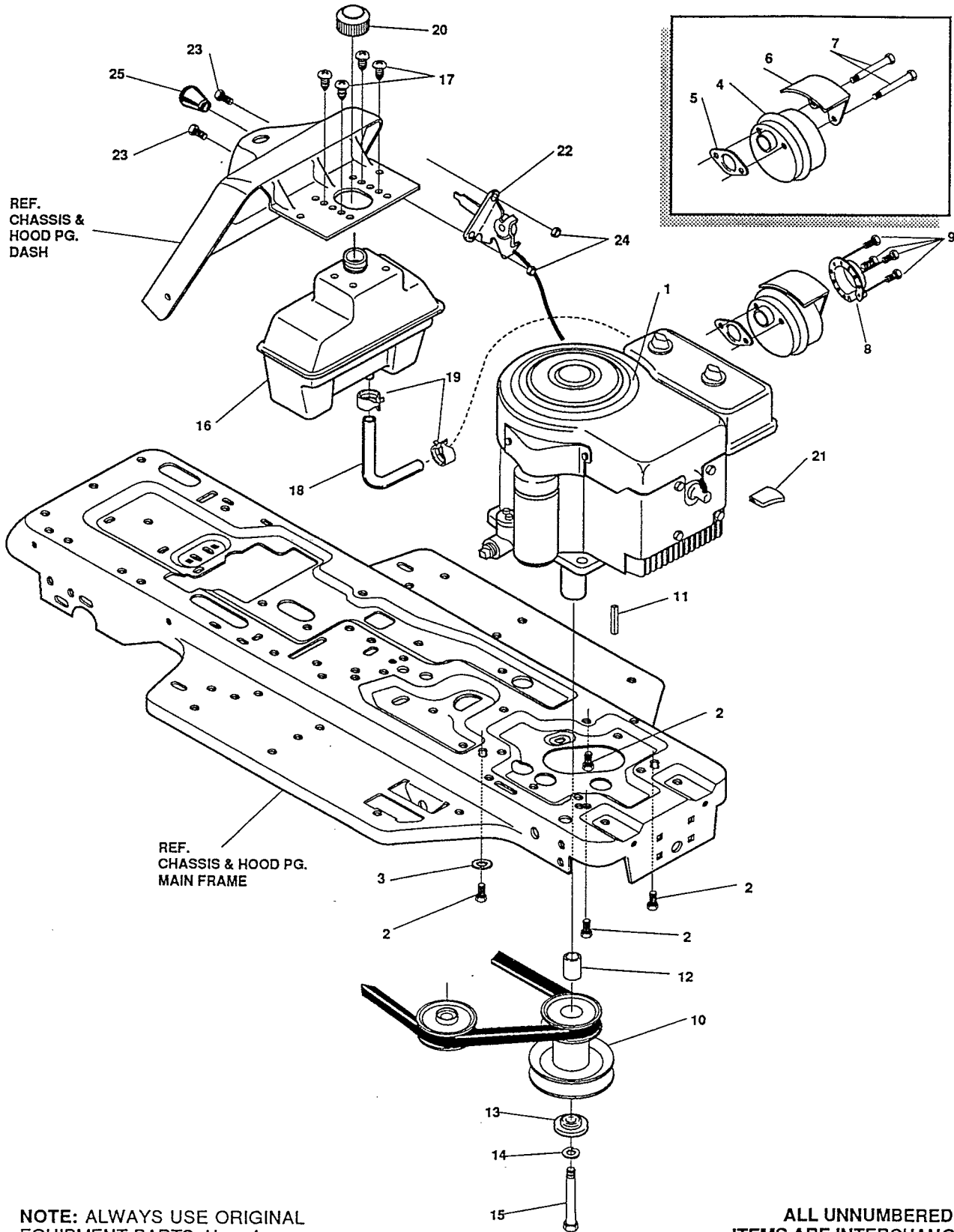
key#	part#	description	qty.
1	TRANSAXLE	CONTACT NEAREST DEALER	1
2	302745	PULLEY,V 4L 6.60 OD	1
3	3021	KEY, WDRF 606 .750X.187X.312	1
4	22053	RING, RETEX .58X.04TRU5100-62	1
5	54758	BELT, V 4L 82.00 SF DRIVE	1
6	7707	BRACKET, TRANSAXLE BLK 853	2
7	◇120228	SCREW, 5/16-18X .63 HHC GR2	6
8	◇1498	NUT, 5/16-18 REGHEXCTRLK	6
9	◇180089	SCREW, 5/16-18X2.25 HHC GR5	4
10	120393	WASHER, FLAT .344X .69X.065	4
11	◇1498	NUT, 5/16-18 REGHEXCTRLK	4
12	54713	BRKT,STABILIZER P900-3SP	1
13	◇35498	SCREW, 5/16-18X .75 WAHHTAP	1
14	120638	WASHER, HVSPTLK .328X.60X.09	1
15	◇122017	SCREW, 5/16-18X1.00 HHC GR2	1
16	138485	WASHER, EXLK .320X.61X.03	1
17	◇1498	NUT, 5/16-18 REGHEXCTRLK	1
18	12616	BRKT,SHIFT P920-3SP	1
19	◇56255	SCREW, 1/4-28X .75 NYLHHCGR8	1
20	57157	WASHER, .750X.250 SP-TRANSAXLE	1
21	302283	SHIFT LEVER Z-PL	1
22	137185	PIN, COTTER .125 DIA X1.00LG	1
23	302445	TUBE CLEAR PLASTIC	1
24	◇120238	NUT, 1/2-13 HEXJAM	1
25	304438	KNOB,SHIFT NOMA 1/2-13 BLK	1
26	49896	BELT GUIDE	1
27	◇271184	NUT, 5/16-18 HEXKEPS	1
28	120393	WASHER, FLAT .344X .69X.065	2
29	◇1498	NUT, 5/16-18 REGHEXCTRLK	1
30	302603	ASSY,BRAKE PEDAL	1
31	302600	ROD,PIVOT	1
32	302601	SPACER,.53IDX.62DX1.406 SLEEVE	1
33	20864	RING, RET E .39X.04TRU5133-50	2
34	48761	PAD,CLUTCH/BRAKE PEDAL	1
35	1306	IDLER ARM BRKT TRACTION	1
36	41890	BOLT, .625X .218 HSSH 5/16-18	1
37	4107	WASHER, FLAT .635X1.31X.07	1
38	45602	WASHER, FLAT .333X .87X.119	1
39	◇1498	NUT, 5/16-18 REGHEXCTRLK	1
40	39659	RETAINER, STRAP BELT	1
41	35374	PULLEY, IDLER V4L 3.06X .62	1
42	45892	BOLT, 3/8-16X1.50 CARR GR2	1
43	1499	NUT, 3/8-16 REGHXCTRLK	1
44	43980	ROD, .268 DIA CLUTCH	1
45	50562	SPRING,3/8ODX1.625X.055	1
46	54723	BRACKET, BRAKE ROD	1
47	20507	BOLT, .437X .156 HSSH 5/16-18	1
48	120393	WASHER, FLAT .344X .69X.065	1
49	◇1498	NUT, 5/16-18 REGHEXCTRLK	1
50	310189	BRAKE ROD RIDER	1
51	120393	WASHER, FLAT .344X .69X.065	1
52	121222	PIN, COTTER .090/.086X.75LG	1
53	◇271184	NUT, 5/16-18 HEXKEPS	1
54	◇1498	NUT, 5/16-18 REGHEXCTRLK	1
55	49276	SPRING,3/4 ODX6.75X.091	1
56	35410	SPRING .071 X .62 X 4.37	1
57	*	TIRE & RIM, PU 18X9.5X8	2
58	24167	VALVE STEM	1
59	36182	WHEEL	1
60		REFER TO TIRE TREAD PAGE.	
61	39628	KEY, SQUARE .187SQX2.50LG	2
62	642	WASHER, FLAT .755X1.31X.075	4
63	42815	WASHER, FLAT .755X1.53X.07	2
64	36625	RING, RETEX .57X.05TRU5133-75	2
65	40394	CAP, 1.500ID X 7/8LG HUB	2

\* Order Individual Parts.

◇ Indicates STANDARD HARDWARE ITEMS.

# 36" LAWN TRACTOR MODEL B3554-480

## ENGINE & CONTROL ASSEMBLY



**NOTE:** ALWAYS USE ORIGINAL EQUIPMENT PARTS. Use of service/replacement parts other than original equipment parts may void your warranty.

**ALL UNNUMBERED ITEMS ARE INTERCHANGABLE WITH OPPOSITE SIDE**

317058A



### 36" LAWN TRACTOR MODEL B3554-480

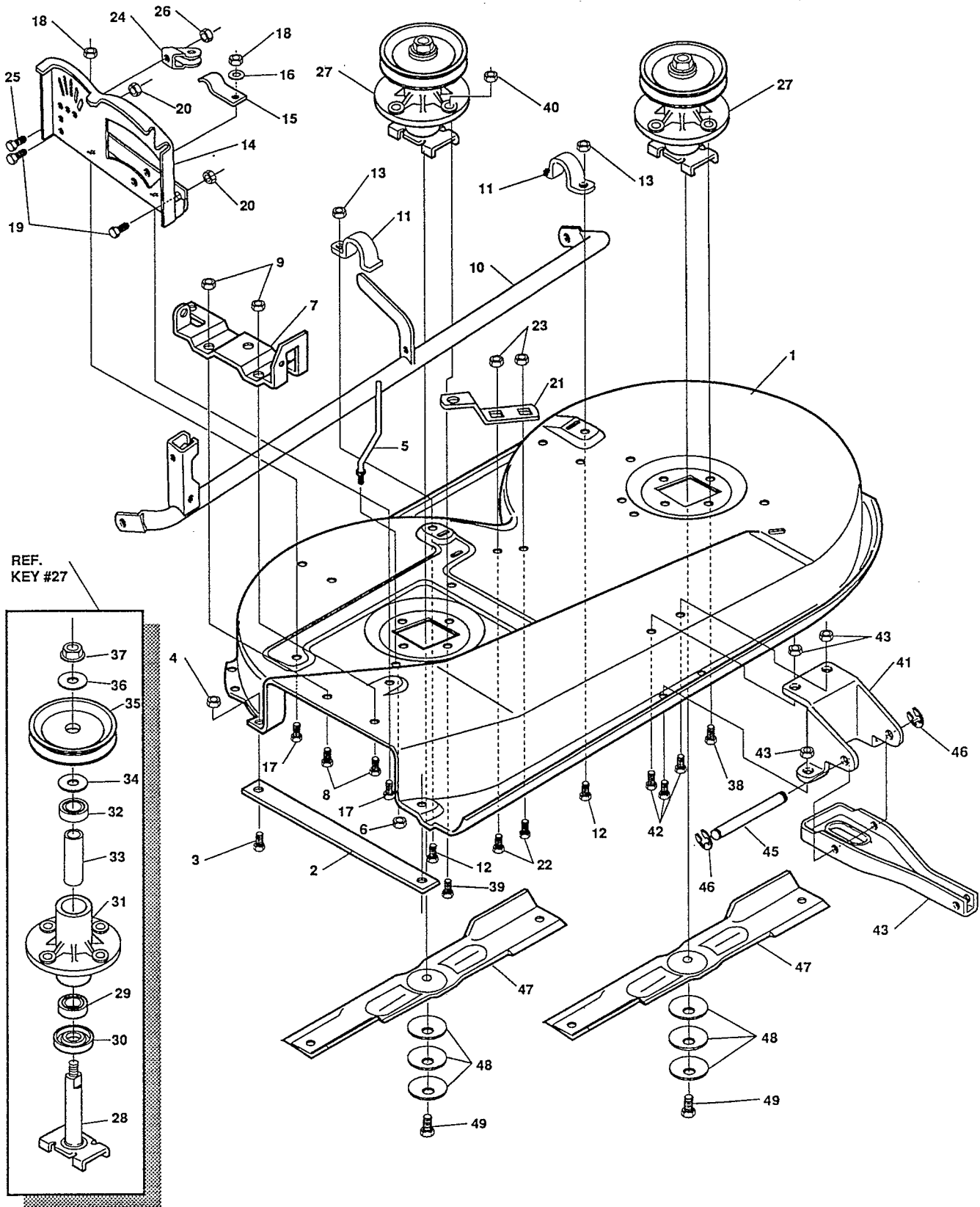
key#	part#	description	qty.
1	ENGINE	10B&S VER ELEC (SEE ENGINE MANUAL)	1
2	50947	SCREW, 3/8-16X1.25 WAHTAP	4
3	138489	WASHER, EXLK .384X.69X.04	1
4	305367	MUFFLER-LO TONE NELSON EXPORT	1
5	46708	GASKET, MUFFLER	1
6	54767	SHIELD, HEAT, FOR ROUND MUFFLER	1
7	173063	SCREW, 5/16-18X3.50 HHC	1
8	306274	DEFLECTOR, EXHAUST, LOUVERED B&S	1
9	35287	SCREW, #8-32X .38 HHWATAP	4
10	315317	PULLEY, ENG 3.0D X 4.0LG X 5.0D	1
11	303151	KEY, SQUARE .249SQX4.50LG	1
12	304246	SPACER, 1.01X1.484 ENGIN PULLEY	1
13	56431	WASHER, 980IDX1.38ODX.437PILOT	1
14	120383	WASHER, REGSPTLK.459X.78X.12	1
15	433146	SCREW, 7/16-20X4.25 HHC BLK PH	1
16	314989	TANK, FUEL 1 GAL	1
17	49050	SCREW, 1/4-10X .75PHPNTAPGR2BK	4
18	47452	GAS LINE .25ID BULK LENGTH	12IN
19	48672	CLAMP, FUEL LINE	2
20	46704	GAS CAP 1-1/2-7 THD BLK	1
21	302967	ENGINE SPEED REDUCER	1
22	303275	THROTTLE CONTROL	1
23	35291	SCREW, 10-24X .50 SLHHMA	1
24	271166	NUT, #10-24 HEXKEPS	1
25	50607	KNOB, ROUND THROTTLE	1

\* Order Individual Parts.

◇ Indicates STANDARD HARDWARE ITEMS..

# 36" LAWN TRACTOR MODEL B3554-480

## PRE-PAINTED DECK ASSEMBLY



**NOTE: ALWAYS USE ORIGINAL EQUIPMENT PARTS.**  
Use of service/replacement parts other than original equipment parts may void your warranty.

**ALL UNNUMBERED  
ITEMS ARE INTERCHANGABLE  
WITH OPPOSITE SIDE**

302836F

### 36" LAWN TRACTOR MODEL B3554-480

key#	part#	description	qty.
1	310243	Deck	1
2	57314	Bar, Skid	1
3	◇ 126216	Bolt, 5/16-18 x .75 Carr. GR2	2
4	◇ 271184	Nut, 5/16-18 Hex Keps	2
5	57318	Guide, Belt 5/16-18 Thd.	1
6	◇ 1498	Nut, 5/16-18 Reg Hex Ctr Lk	1
7	57360	Bracket, Chute	1
8	◇ 120834	Screw, 5/16-18 x .50 H HC GR2	2
9	◇ 1498	Nut, 5/16-18 Reg Hex Ctr Lk	2
10	306881	Tube, 36" Assy Torgue	1
11	51985	Support, Pivot Tube	1
12	◇ 120228	Screw, 5/16-18 x .63 H HC GR2	1
13	◇ 1498	Nut, 5/16-18 Reg Hex Ctr Lk	1
14	57337	Quadrant, Height Adj.	1
15	57321	Spring, Clutch Handle Retain	1
16	120386	Washer, Flat .312 x .73 x .065	1
17	122007	Screw, 5/16-18 x .75 H HC GR2	2
18	◇ 1498	Nut, 5/16-18 Reg Hex Ctr Lk	2
19	◇ 122040	Screw, 5/16-18 x 1.50 H HC GR2	2
20	◇ 1498	Nut, 5/16-18 Reg Hex Ctr Lk	2
21	◇ 300179	Bracket, Idler Support	1
22	◇ 180077	Screw, 5/16-18 x .75 H HC GR5	2
23	44108	Nut, 5/16-18 Hwd Fl Lk Whiz	2
24	◇ 49320	Cable, Pulley Support	1
25	◇ 120228	Screw, 5/16-18 x .63 H HC GR2	1
26	1498	Nut, 5/16-18 Reg Hex Ctr Lk	1
27	◇ 56424	Quill Assy, 36", 38", 39", & 40"	2
28	◇ 56425	Shaft/Saddle 36"	1
29	49562	Ball Bearing	1
30	50616	Dust Shield	1
31	55547	Quill Casting (1046)	1
32	49562	Ball Bearing	1
33	50818	Spacer, 3.797 LG x .669 ID x .88 OD	1
34	51449	Spacer, .438 LG x .932 OD x .672 ID-PM	1
35	56390	Pulley, 26/36" Quill V5L	1
36	56365	Special Washer	1
37	1282	Nut, 7/16-20 Wd Fl Lk	1
38	50634	Screw, 5/16-18 x .88 Wa H H Tap	7
39	300345	Screw, 5/16-18 x 1.38 Wa Tap GR2	1
40	1498	Nut, 5/16-18 Reg Hex Ctr Lk	1
41	57327	Bracket, Front	1
42	◇ 120228	Screw, 5/16-18 x .63 H HC GR2	4
43	1498	Nut, 5/16-18 Reg Hex Ctr Lk	4
44	◇ 57340	Bracket, Front Lift	1
45	◇ 57196	Rod, Pivot	1
46	20864	Ring, Ret E. .39 x .04 Trus 5133-50	2
47	58212	Blade,	2
48	2483	Washer, .39ID x 1.25D x .07 Bellvil	6
49	39573	Screw, 3/8-24 x 1.00 Nyl H HC GR5	2

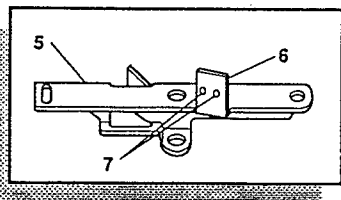
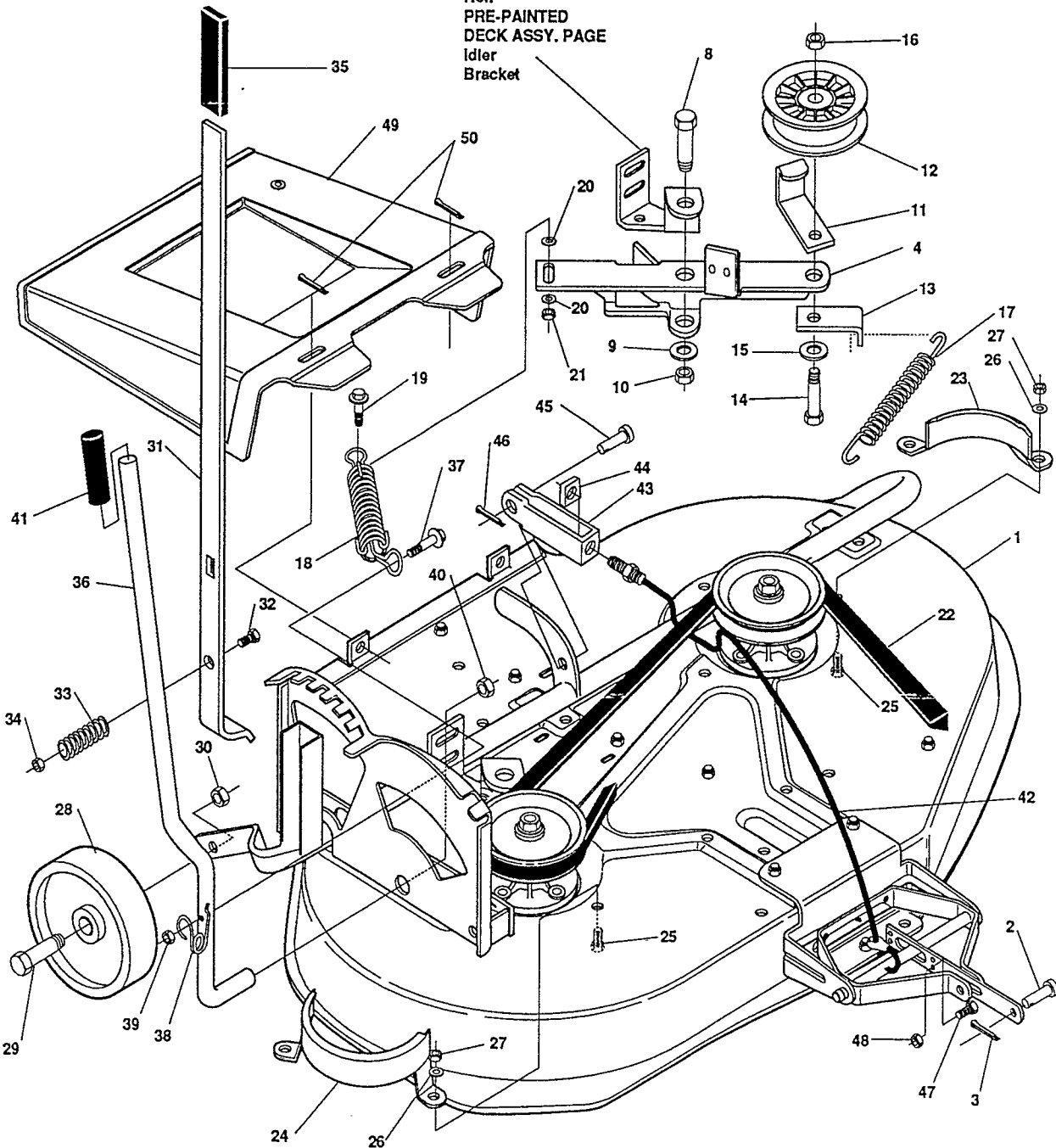
◇ Indicates STANDARD HARDWARE ITEMS.

36" LAWN TRACTOR MODEL B3554-480

PAINTED DECK ASSEMBLY

SEE DWG #316030 FOR PARTS ASSY  
OF PAINTED DECK

Ref.  
PRE-PAINTED  
DECK ASSY. PAGE  
Idler  
Bracket



REF  
KEY#4

**NOTE: ALWAYS USE ORIGINAL EQUIPMENT PARTS.**  
Use of service/replacement parts other than original equip-  
ment parts may void your warranty.

**ALL UNNUMBERED  
ITEMS ARE INTERCHANGABLE  
WITH OPPOSITE SIDE**

316031B

### 36" LAWN TRACTOR MODEL B3554-480

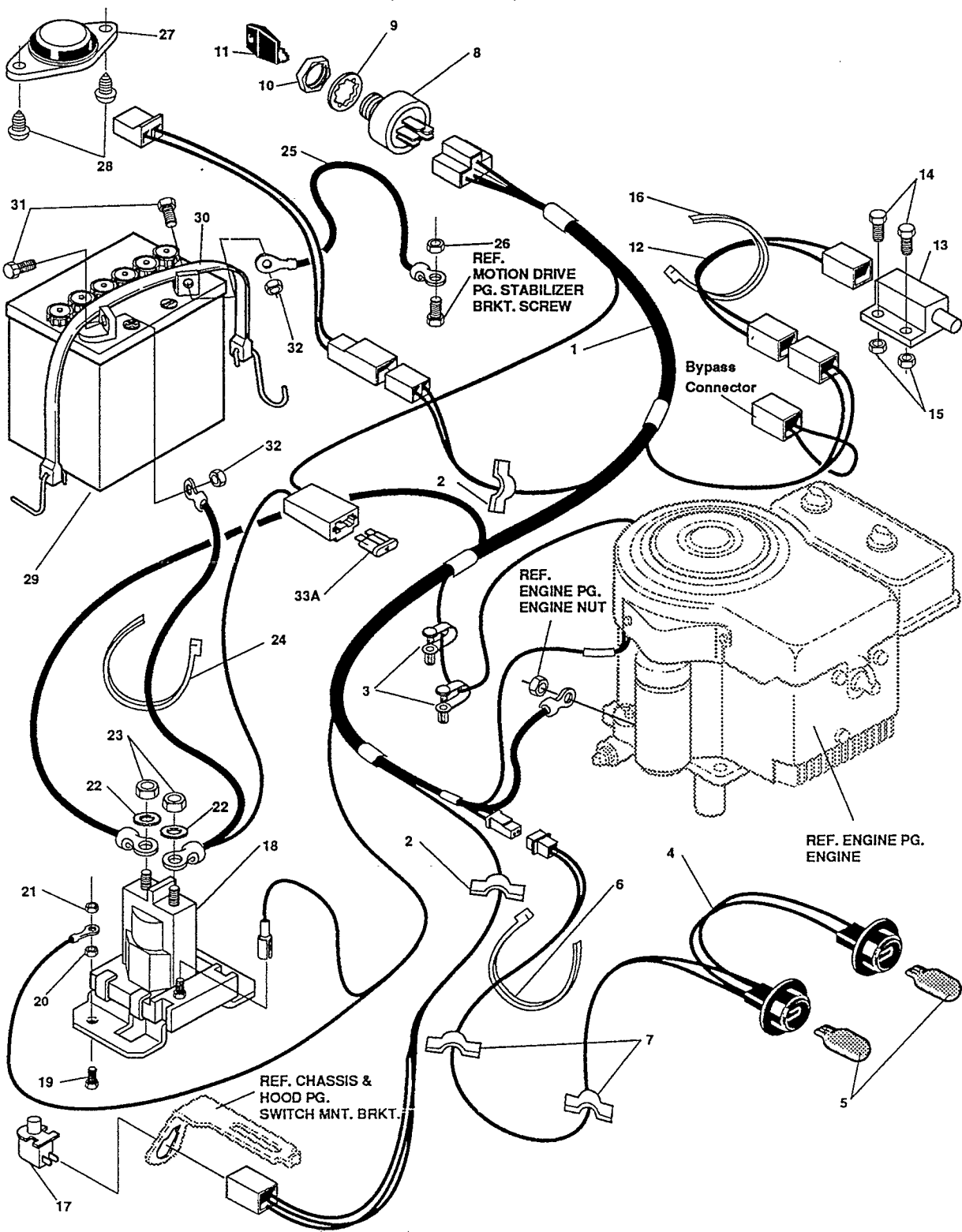
key#	part#	description	qty.
1	*	PAINTED DECK NOTE: SEE DWG #316030 FOR PARTS ASSEMBLY	
2	47816	PIN, .495X1.750 CLEVIS-SHORT	1
3	56180	PIN, HAIR .091 DIA X 1.62LG	1
4	311427	IDLER, ASSY PIVOT ARM	1
5	311426	PIVOT ARM IDLER BLK	1
6	306973	BRAKE PAD - HARD - 232AF	1
7	41601	RIVET, OVSET .187DIA X .50LG	2
8	47516	BOLT, .500X1.950 HHSH 3/8-16	1
9	◇ 996416	WASHER, FLAT .391X1.00X.125	1
10	◇ 1499	NUT, 3/8-16 REGHXCTRLK	1
11	7354	RETAINER BELT	1
12	303028	PULLEY, IDLER BFF 3.13 DIA	1
13	306893	BRACKET, L-SHAPED	1
14	◇ 122168	SCREW, 3/8-16X1.75 HHC	1
15	◇ 446363	WASHER, FLAT .375X .88X.082	1
16	◇ 1499	NUT, 3/8-16 REGHXCTRLK	1
17	35410	SPRING .071 X .62 X 4.37	1
18	52636	SPRING	1
19	46563	BOLT, .375X .250 SHWA 1/4-20	1
20	◇ 120392	WASHER, FLAT .281X .63X.065	2
21	◇ 1502	NUT, 1/4-20 REGHEXCTRLK	1
22	308701	BELT, V 5L 80.00 DECK 36RD EXP	1
23	307549	COVER QUILL LH	1
24	307548	COVER, QUILL RH	1
25	◇ 120228	SCREW, 5/16-18X1.00 HHC	4
26	◇ 120393	WASHER, FLAT .344X .69X.065	4
27	◇ 1498	NUT, 5/16-18 REGHEXCTRLK	4
28	52584	WHEEL, SD 6.00ODX1.38WD	2
29	23763	BOLT, .500X1.390 HHSH 3/8-16	2
30	◇ 1499	NUT, 3/8-16 REGHXCTRLK	2
31	307050	LEVER HEIGHT ADJ	1
32	◇ 120696	SCREW, 5/16-18X2.25 HHC	1
33	53246	SPRING	1
34	◇ 1498	NUT, 5/16-18 REGHEXCTRLK	1
35	20250	GRIP, HAND .75X4.87	1
36	305383	LEVER, BLADE ENGAGE 32RD&36RD	1
37	1289	BOLT, .375X .250 SHWA 1/4-20	1
38	46561	SPRING, TORSION 36RD, 32RD	1
39	◇ 1502	NUT, 1/4-20 REGHEXCTRLK	1
40	53697	NUT, 1/2 PUSHON	1
41	46478	GRIP, HAND .50ID 3.37LG BLK	1
42	300341	CABLE, LIFT 21.70 F-5 20X8-8	1
43	9405	CLEVIS, LIFT CABLE	1
44	◇ 120372	NUT, 1/4-20 REGSQ	1
45	39522	PIN CLEVIS .312 X .812	1
46	56180	PIN, HAIR .091 DIA X 1.62LG	1
47	◇ 120228	SCREW, 5/16-18X .63 HHC	1
48	◇ 1498	NUT, 5/16-18 REGHEXCTRLK	1
49	50993	CHUTE EXTENSION PLASTIC 36"RD	1
50	120123	PIN, COTTER .125 DIA X 1.25LG	2

\* Order Individual Parts.

◇ Indicates STANDARD HARDWARE ITEMS.

**36" LAWN TRACTOR MODEL B3554-480**

**ELECTRICAL ASSEMBLY**



**NOTE: ALWAYS USE ORIGINAL EQUIPMENT PARTS.**  
Use of service/replacement parts other than original equipment parts may void your warranty.

**ALL UNNUMBERED  
ITEMS ARE INTERCHANGABLE  
WITH OPPOSITE SIDE**

313467A

### 36" LAWN TRACTOR MODEL B3554-480

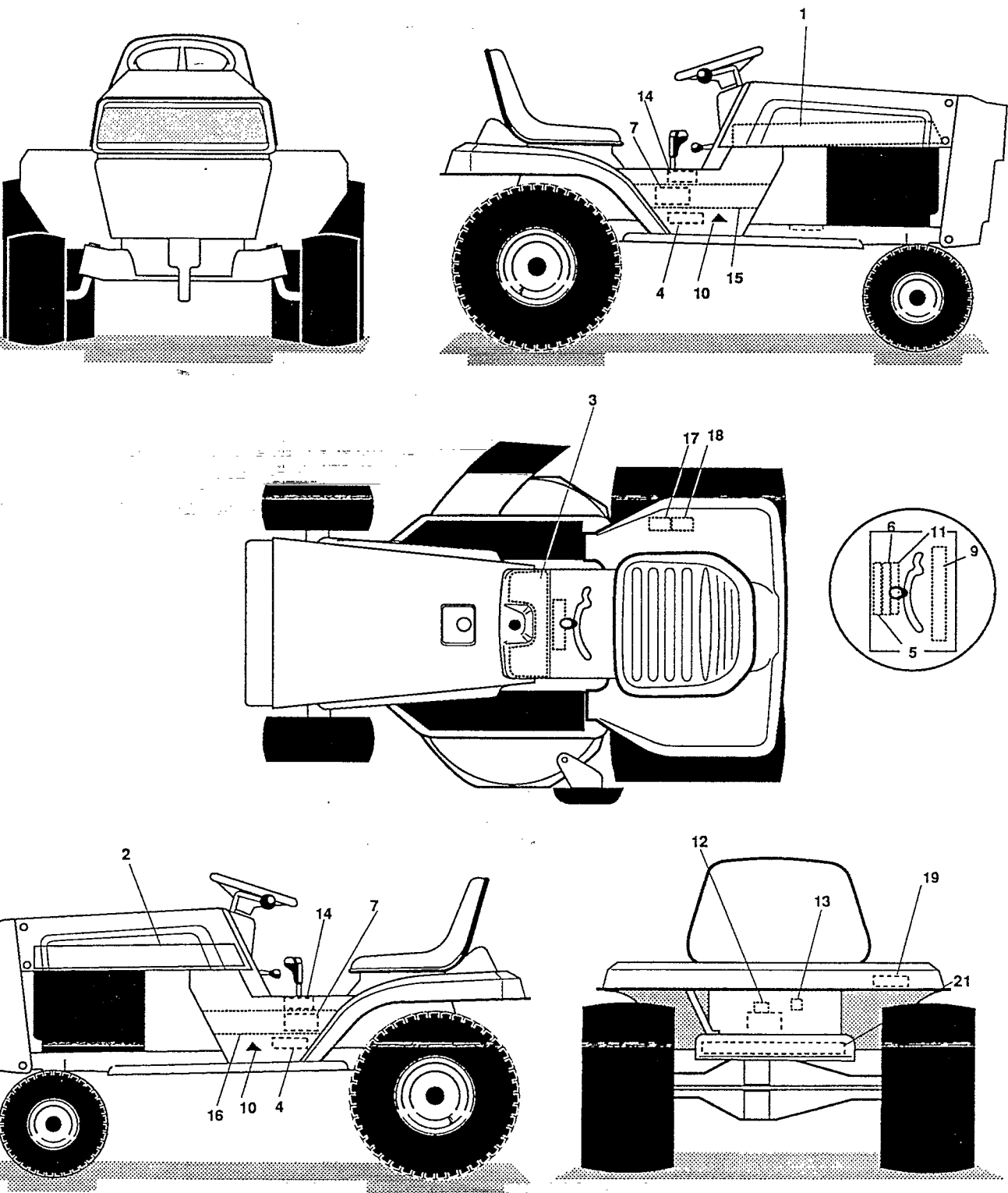
key#	part#	description	qty.
1	57642	WIRE HARNESS	1
2	41482	CLIP, PRESS WIRE	2
3	54888	RETAINER, WIRE	2
4	303064	ASSY., LIGHT WIRE	1
5	52572	BULB, HEADLAMP	2
6	57444	TIE, CABLE	1
7	41482	CLIP, PRESS WIRE	2
8	300687	SWITCH, IGNITION & LIGHTS	1
9	◇ 138557	WASHER, REGINTLK	1
10	48140	NUT, 5/8-32 HXHD IGN SWIT	1
11	300626	KEY, IGNITION SWITCH	1
12	57588	HARNESS, DECK WIRE SHORT 4 WIRE	1
13	57476	SWITCH	1
14	◇ 159943	SCREW, 10-24 X .63 PHPNMA	2
15	◇ 271166	NUT, #10-24 HEXKEPS	2
16	57444	TIE, CABLE BLACK NYLON	1
17	300220	SWITCH, SNAPMNT NO .055/.116	1
18	53716	SOLENOID, NEW CLUM	1
19	◇ 187745	SCREW, 1/4-20 X .75 HXSEMMA	2
20	◇ 1502	NUT, 1/4-20 REGHEXCTRLK	2
21	◇ 271172	NUT, 1/4-20 HEXKEPS	1
22	◇ 138485	WASHER, EXLK .320 X .61 X .03	2
23	◇ 120368	NUT, 5/16-24 REGHEX	2
24	◇ 57444	TIE, CABLE	1
25	55511	WIRE, GROUND	1
26	◇ 271184	NUT, 5/16 - 18 HEXKEPS	1
27	57547	SWITCH, SEAT	1
28	◇ 160505	SCREW, 1/4-20 PNPNHM	2
29	57486	BATTERY, 12V 5 PLATE	1
30	309862	STRAP, RUBBER	1
31	◇ 120854	SCREW, 1/4-20 X .63 HHC	2
32	◇ 271172	NUT, 1/4-20 H KEPS	2
33A	**302031	FUSE, 15 AMP SHADE TYPE	1
33B	**49211	FUSE, 15 AMP CYLINDRICAL TYPE	1

◇ Indicates STANDARD HARDWARE ITEMS.

\*\*Cylindrical or Spade type fuses are included with the wire harness.

# 36" LAWN TRACTOR MODEL B3554-480

## DECALS



**NOTE: ALWAYS USE ORIGINAL EQUIPMENT PARTS.**  
Use of service/replacement parts other than original equipment parts may void your warranty.

**ALL UNNUMBERED  
ITEMS ARE INTERCHANGABLE  
WITH OPPOSITE SIDE**

317068A

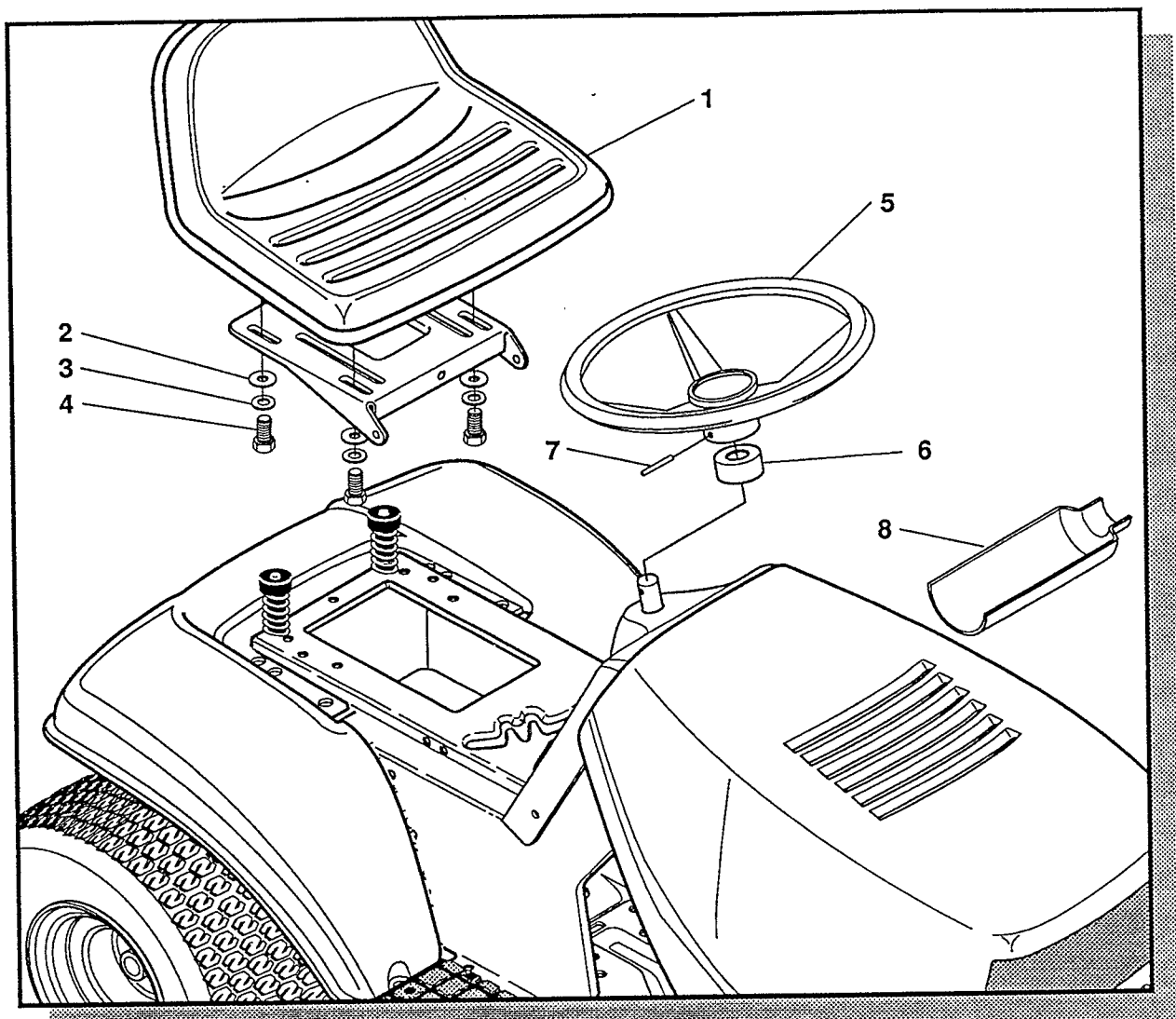


**36" LAWN TRACTOR MODEL B3554-480**

KEY#	PART#	DESCRIPTION	QTY.
1	314456	DECAL, HOODSIDE RH H-21	1
2	314457	DECAL, HOODSIDE LH H-21	1
3	307412	DECAL,DASH PLAIN SF DYN EUROPE	1
4	68902	DECAL,WARNING,FRENCH/GERMAN	2
5	69524	DECAL,INSTRUCT CONSOLE TOP GER	1
6	69525	DECAL,INSTRUCT CONSOLE TOP FR	1
7	300557	NAME PLATE,10/36 WHITE	2
8		REFERENCE ONLY	1
9	307047	DECAL,3-SPEED CONSOLE TOP	1
10	305770	DECAL,CAUTION TRIANGLE EUROPE	2
11	307383	DECAL,INSTR. CONSOLE TOP ENGL	1
12	308000	DECAL, TUV GERMAN EXPORT	1
13	310436	DECAL,FRENCH SAFETY CERT	1
14	310553	DECAL,DANGER ENGLISH	2
15	314460	DECAL, CONSOLE RH STRETCH FRM	1
16	314461	DECAL, CONSOLE LH STRETCH FRM	1
17	68900	DECAL,BLADE ENGAGE EUROPE	1
18	68901	DECAL,BLADE HEIGHT ADJ. EUROPE	1
19	301005	NAME PLATE,SM. DYNAMARK WHITE	1
20		REFERENCE ONLY	1
21	68542	DECAL, CAUTION HAND-FOOT FR/GR	1

# 36" LAWN TRACTOR MODEL B3554-480

## CUSTOMER ASSEMBLY



### CUSTOMER ASSEMBLY VIEW

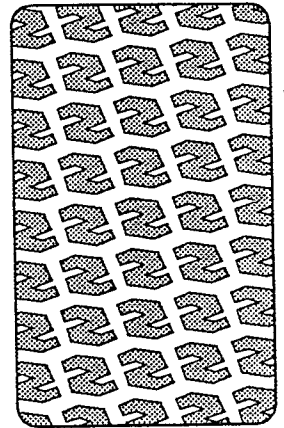
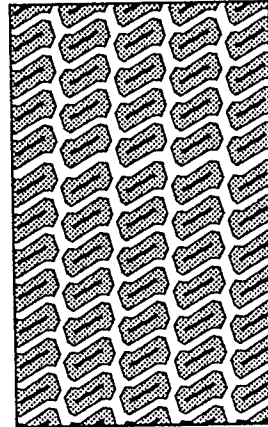
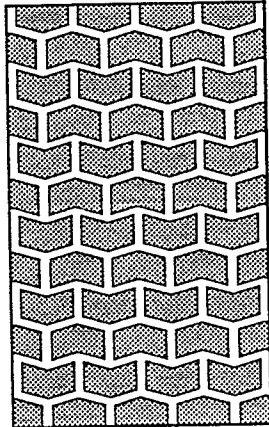
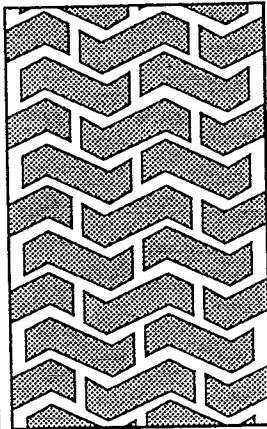
315134 PARTS BAG ASSY QTY1

key#	part#	decription	qty
1	57452	SEAT MV350	1
2	120393	WASHER,FLAT .344X.69X.065	4
3	120638	WASHER, HVSPLTLK .328X.60X.109	4
4	122007	SCREW, 5/16-18X.75 HHC	4
5	301251	STEERING WHEEL	1
6	314775	STEERING, SLEEVE	1
7	456378	ROLL PIN .250DIA X 2.0LG	1
8	54873	OIL TROUGH	1

316235

Part No. 317913

# TREAD PATTERNS



TIRE SIZE	"A"	"B"	"C"	"D"
11 X 4.00 - 5	42295			
13 X 5.00 - 6	41060			
15 X 6.00 - 6	301140	316702	39830	313952
16 X 6.50 - 8		41081		314539
18 X 6.50 - 8				
18 X 9.50 - 8		316701		313950
20 X 8.00 - 8	314584			
20 X 10.00 - 8	58276			313565
20 X 10.00 - 10		55893		
23 X 9.50 - 12	314370			
23 X 9.50 - 12		53655		