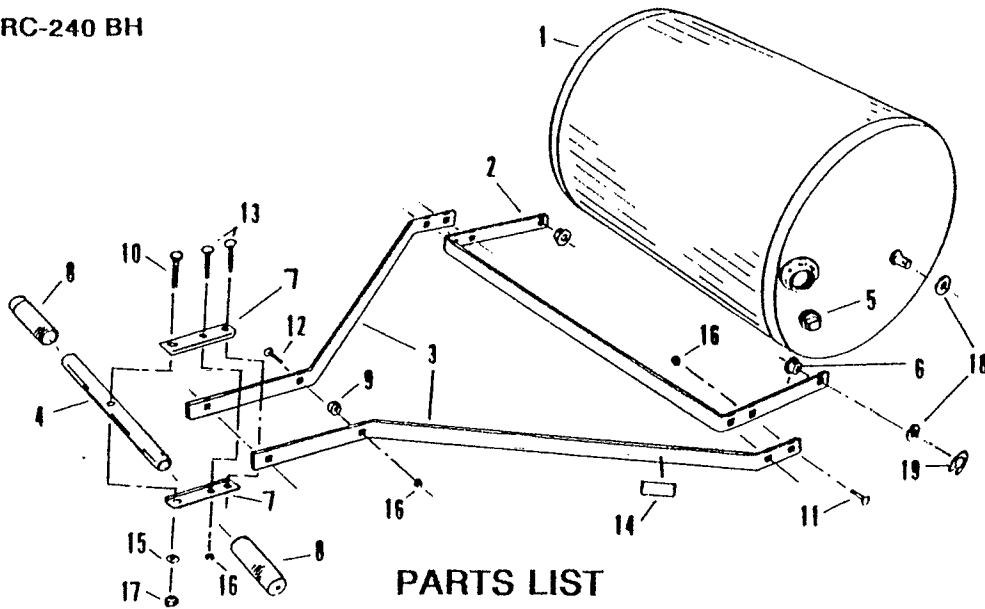


PRC-240 BH



PARTS LIST


REF. PART NO.	NO.	DESCRIPTION	QTY	REF. PART NO.	NO.	DESCRIPTION	QTY
1	B-5121	ROLLER ASSEMBLY	1	11	10M1016P	CARRIAGE BOLT, 5/16" x 1"	4
2	B-5125-10	SCRAPER FRAME BAR	1	12	10M1020P	CARRIAGE BOLT, 5/16" x 1-1/4"	2
3	B-3554-10	FRAME EXTENSION BAR	2	13	10M1032P	CARRIAGE BOLT, 5/16" x 2"	2
4	B-3556-10	HANDLE TUBE	1	14	B-4681	LOGO DECAL	1
5	B-5121-PL	PLUG	1	15	40M1600P	LOCK WASHER, 1/2"	1
6	R-719	NYLON BEARING	2	16	B-4786	NYLON INSERT NUT, 5/16"	8
7	R-892-10	CLEVIS	2	17	30M1600P	HEX NUT, 1/2"	1
8	B-2579	VINYL GRIP	2	18	45M2121P	FLAT WASHER, 5/8"	4
9	R-1141-01	SPACER	1	19	F-577	"E" RING- 5/8"	2
10	1M1636P	HEX BOLT, 1/2" x 2-1/4"	1				

PRC-240 BH

Quality Insurance

Dear Customer,
 We are very proud of our quality and endeavor to produce each product to meet high standards. Should your purchase not meet your expectations, we have a Quality Insurance Policy. If you purchase a product and a part is missing or defective, please inform us of the problem on the "Comments" section of the Warranty Registration Card below, and mail the card to us or, you may call us toll free at 1-800-626-5329.

We will make every effort to ship a new replacement part to you within 24 hours at no charge.

Thank you,

 President
 Brinly-Hardy Company

WARRANTY REGISTRATION CARD

To register your new product for warranty, please complete and return this card.

Name: _____ Phone: _____

Address: _____

City: _____ State: _____ Zip: _____ Country: _____

Product Purchased: _____ Model No.: _____

Packing No. (On Carton): _____

Where Purchased: _____ Date Purchased: _____

Type of tractor/rider owned? Make: _____ Model: _____ HP: _____

Size of Lawn? 1/4 to 1/2 acre 1/2 to 1 acre 1 to 5 acres over 5 acres

Do you garden? yes no Use tractor? tiller?

Your occupation: _____

YOUR COMMENTS WILL BE APPRECIATED: _____

TO ORDER PARTS:
 Brinly-Hardy Co.
 P. O. Box 1116
 Louisville, Ky. 40201
 (502) 585-3351