

OWNER'S MANUAL

42" SNOW BLADE ATTACHMENT

MODEL 5661-0601

ONE YEAR LIMITED WARRANTY

For one (1) year from date of purchase by the first consumer for residential use thirty (30) days commercial use), NOMA Outdoor Products Incorporated warrants that it will replace free of charge, including labor, any original part of any NOMA Outdoor Products Incorporated product found to be defective by any authorized Service Dealer or the factory, except the battery which is warranted for ninety (90) days from date of purchase.

This warranty does not cover engine, transmission, transaxle or differential (these items are covered by their manufacturer's own warranty). This warranty does not cover parts that have failed due to normal wear or parts that have failed subject to misuse or abuse. Transportation of the unit or part to and from an authorized Service Dealer or factory is the responsibility of the owner.

A step by step explanation as to what procedure should be followed for this Warranty is:

1. If a part becomes defective, contact the store where the unit was purchased for the name and address of the authorized Service Dealer nearest to you.
2. If you cannot locate an authorized Service Dealer, write Service Department of NOMA Outdoor Products Incorporated for the name and address of the authorized Service Dealer in your area or call the Service Department at 1-901-422-1690.
3. Return the defective product, along with proof of purchase to such authorized Service Dealer for replacement of any defective part where covered by this warranty.

There is no other express warranty. Implied warranties, including those of merchantability and fitness for a particular purpose are limited to one (1) year from date of purchase. Liability for incidental or consequential damages are excluded.

Some states do not allow limitations on how long an implied warranty lasts, so the above limitation may not apply to you. Some states do not allow the exclusion of incidental or consequential damages, so the above exclusion may not apply to you. This warranty gives you specific legal rights, and you may have other rights which vary from state to state.

NOMA Outdoor Products Incorporated

Caller 8000

Jackson, TN 38308-8000

UNIT PARTS AND SERVICE

This manual contains instructions for safety, assembly and maintenance. Read this manual carefully and completely so that you will know proper assembly, use and care of your unit. Also fill in and mail the registration card packed with the unit. For service other than covered in this manual, contact an authorized service dealer. A nationwide parts and service organization has been established to provide locally available parts and service. A list of authorized parts distributors has been included in this manual. When ordering repair parts, always give the following information: 1. The Part Name; 2. The Part Number; 3. The Quantity desired; 4. The Full (eight digit) Model Number of the unit. The model number will be found on a plate attached to the unit.



Look for this symbol. It means - ATTENTION! BECOME ALERT! A HAZARD TO OPERATOR, BYSTANDER, PROPERTY OR EQUIPMENT MAY EXIST.

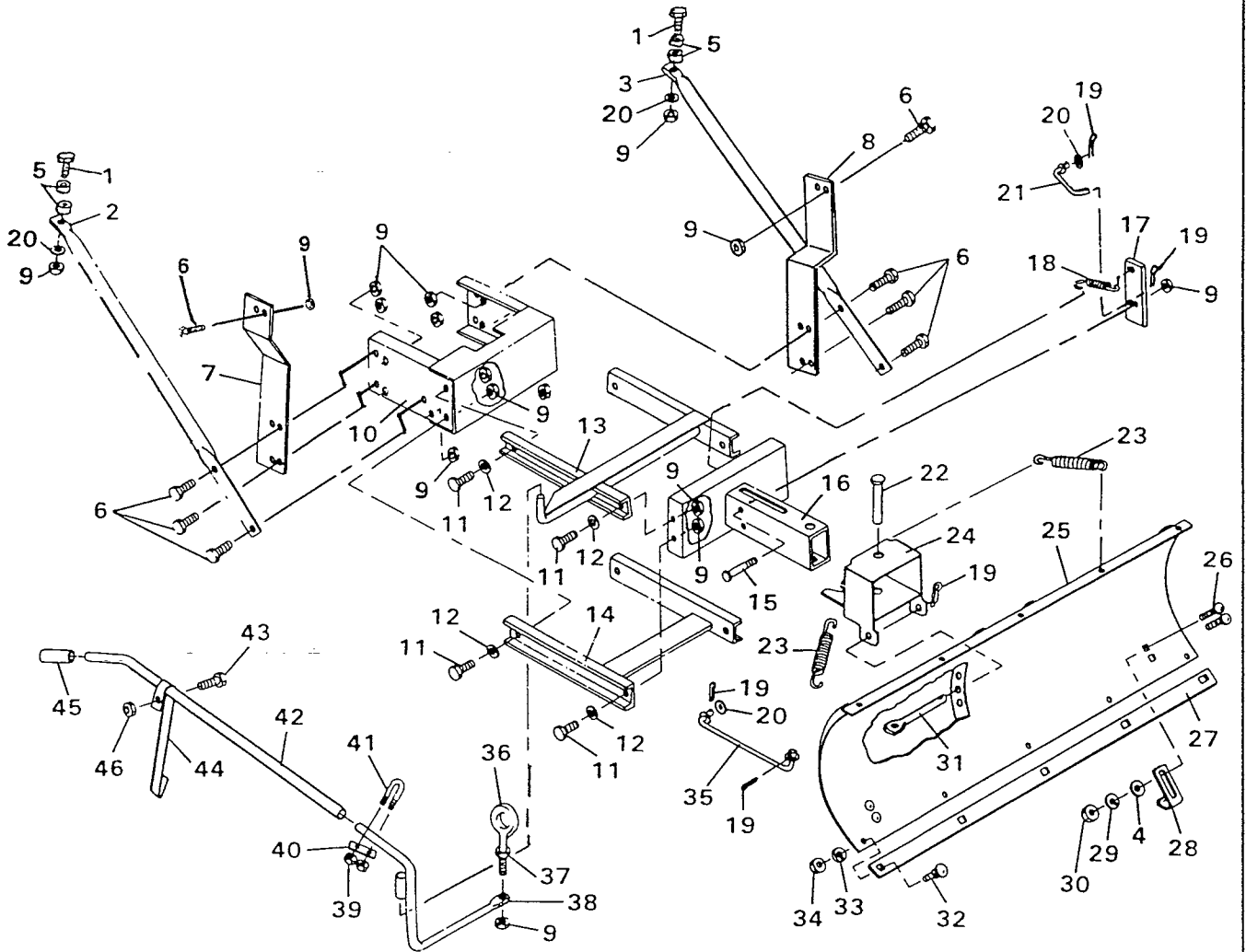
189373
Part No. 324165

NOMA Outdoor Products Incorporated
Caller 8000
Jackson, TN 38308-8000

4891

48" SNOW BLADE ATTACHMENT MODEL 5661-0601

ALL UNNUMBERED
ITEMS ARE INTERCHANGEABLE
WITH OPPOSITE SIDE



NOTE: ALWAYS USE ORIGINAL EQUIPMENT PARTS. Use of service replacement parts other than original equipment parts may void your warranty.

REPAIR PARTS

ALWAYS GIVE THE FOLLOWING INFORMATION WHEN ORDERING REPAIR PARTS:

1. The PART NUMBER; 2. The PART NAME; 3. QUANTITY DESIRED; 4. The MODEL NUMBER (As shown on Model Plate).
SEND PART ORDERS AS PER INSTRUCTIONS ON THE FRONT PAGE.

YOUR UNIT IS RIGHT HAND (RH) OR LEFT HAND (LH) AS YOU STAND BEHIND IT.
DO NOT USE KEY NUMBERS WHEN ORDERING REPAIR PARTS, ALWAYS USE PART NUMBERS.

All replacement parts will be supplied in current production colors or in a neutral color.

A handling fee is applicable to small parts orders.

Key No.	Part No.	Description
1	180128	Screw, Hex Head, 3/8-16 x 1.75 In.
2	55604	Brace, R.H.
3	55605	Brace, L.H.
4	120393	Flatwasher, 11/32 In.
5	301006	Spacer
6	122119	* Screw, Hex Head, 3/8-16 x 3/4 In.
7	300850	Bracket, R.H.
8	300849	Bracket, L.H.
9	1499	Locknut, Hex, 3/8-16 Thd.
10	300847	Rear Frame Assembly
11	120233	*Screw, Hex Hd, 3/8-16 x 2-1/2 In.
12	55599	Spacer
13	55581	Parallel Bar Assy., Upper
14	55591	Parallel Bar Assy., Lower
15	122194	* Screw, Hex Hd, 3/8-16 x 2-1/2 In.
16	51532	Frame Assembly
17	48977	Bar, Index
18	41357	Spring, Tension
19	137185	*Cotter Pin, 1/8 x 1 In.
20	120394	* Flatwasher, 13/32 In.
21	323541	Link, Index
22	48982	Rod, Quadrant
23	48979	Spring, Blade
24	55571	Quadrant Assembly

Key No.	Part No.	Description
25	48952	Blade Assembly
26	126358	* Carriage Bolt, 1/4-20 x 1 In.
27	48974	Wear Strip
28	25091	Skid
29	120638	*Lockwasher, Split, 5/16 In.
30	120376	*Nut, Hex, 5/16-18 Thd.
31	48981	Pin, Quadrant
32	120518	Carriage Bolt, 1/4-20 x 3/4 In.
33	120380	*Lockwasher, Split, 1/4 In.
34	120375	*Nut, Hex 1/4-20 Thd.
35	48976	Link, Pivot
36	48990	Eye Bolt, 3/8-16 x 1 In.
37	124829	*Jam Nut, Hex, 3/8-16 Thd.
38	48970	Handle Assembly, Lower
39	1502	Locknut, Hex, 1/4-20 Thd.
40	55608	Strap, U-Bolt
41	55607	"U" Bolt
42	48983	Extension, Handle, Upper
43	122040	* Screw, Hex Head, 5/16-18 x 1-1/2 In.
44	55688	Latch
45	8240	Grip, Upper Handle
46	1498	Locknut, Hex, 5/16-18 Thd.
47	324165	Owner's Manual (Not Illustrated)

(*) Standard Hardware Items - May be Purchased Locally.