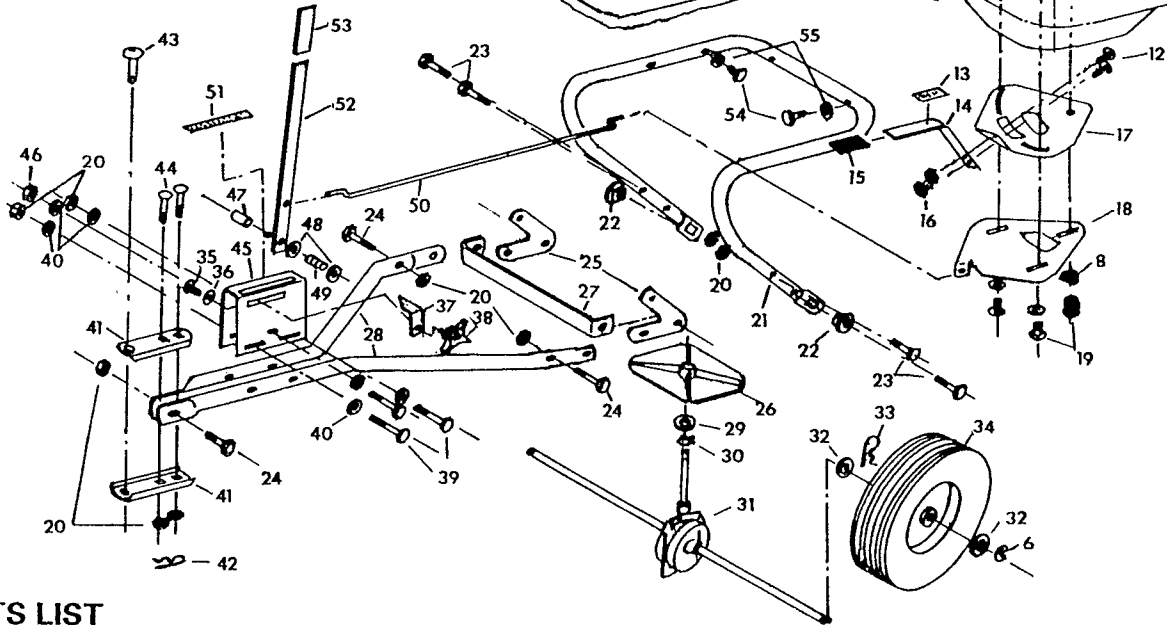
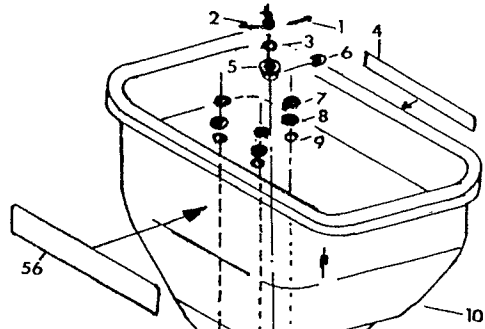
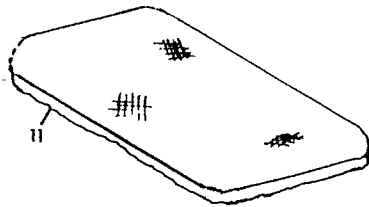
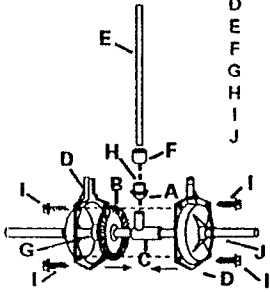


# BST-250 LT

## GEARBOX/AXLE ASSEMBLY

TO ORDER PARTS:  
 Brinly-Hardy Co.  
 P.O. Box 1116  
 Louisville, KY 40201  
 (502) 585-3351

REF. NO.	PART NO.	DESCRIPTION	QUANTITY
A	F-378	Pinion	1
B	F-454	Gear	1
C	F-457	Pinion Carrier	1
D	F-458-G	Housing Half (Gearbox)	2
E	F-730	Fan Shaft	1
F	F-398	Gearbox Cap	1
G	F-413	Spiral Pin, 5/32" x 1"	1
H	F-414	Spiral Pin, 1/8" x 3/4"	1
I	F-415	Hex Washer Head Screw	4
J	F-731-01	Axle	1



### PARTS LIST

REF. NO.	PART NO.	DESCRIPTION	QUANTITY	REF. NO.	PART NO.	DESCRIPTION	QUANTITY
1	50M0416P	Cotter Pin - 1/8" x 1"	1	29	F-591	Fan Driver	1
2	F-436	Agitator Spring	1	30	F-595	Lock Clip	1
3	F-365	Fan Shaft "O" Ring (large)	1	31	F-770	Gear Box Assembly	1
4	B-3581-R	Logo Decal	1	32	45M2121P	Flat Washer, 5/8"	6
5	F-574	Fan Bearing (small)	1	33	F-620	Hairpin Cotter (large)	2
6	F-577	Snap Ring	3	34	F-705	Wheel	2
7	B-1673P	Hex Lock (Domed) Nut	3	35	10M1012P	Carriage Bolt, 5/16" x 3/4"	1
8	F-575	Nylon Washer	6	36	F-787	Spring Washer, 5/16"	1
9	F-313	Shutter "O" Ring (small)	3	37	F-781	Stop Gage	1
10	F-718	Hopper	1	39	F-782	Knob	1
11	F-745	Moisture Cover	1	39	1M1044P	Hex Bolt, 5/16" x 2 3/4"	3
12	20M0808P	Round Head Screw, 1/4" x 1/2"	2	40	45M1111P	Flat Washer, 5/16"	6
13	F-790	Decal (Directional Handle)	1	41	R-892-10	Hitch Clevis	2
14	F-784	Directional Handle (shutter)	1	42	D-146P	Hairpin Cotter (small)	1
15	F-789	Vinyl Grip (small)	1	43	B-3861	Hitch Pin	1
16	B-4785	Nylon Insert Nut - 1/4"	2	44	10M1032P	Carriage Bolt, 5/16" x 2"	2
17	F-767	Shutter Plate (directional)	1	45	F-762-14	Gage Plate	1
18	F-765	Flow Control Plate	1	46	B-1674P	Hex Lock (domed) Nut, 5/16"	1
19	20M0814P	Round Head Screw, 1/4" x 7/8"	3	47	B-3721	Latch Spacer	1
20	B-4786	Nylon Insert Nut, 5/16"	11	48	R-618	Heavy Washer, 5/16"	2
21	F-755-14	Hopper Support	1	49	B-3805	Latch Spring	1
22	F-283	Bearing Axle (large)	2	50	F-761	Link Rod	1
23	1M1032P	Hex Bolt, 5/16" x 2"	4	51	F-740	Flow Control Decal	1
24	1M1024P	Hex Bolt, 5/16" x 1 1/2"	3	52	F-738-10	Flow Control Handle	1
25	F-758-14	Gusset Plate	2	53	R-1882	Vinyl Grip (large)	1
26	F-573	Fan	1	54	F-395	Hex Tapping Screw, 1/4" x 3/4"	6
27	F-734-14	Cross Brace	1	55	45M0909P	Flat Washer, 1/4"	6
28	F-759-14	Tow Tube	2	56	F-744	Operation Decal	1
				57	L-1551-LT	Instructions	1

## OPERATION

- The Fan speed and the spread width are controlled by the speed at which you operate the Spreader. The recommended operating speed is slightly faster than that of a brisk walk, 3 to 4 MPH.
- The Flow Control Handle operates the Flow Control Shutter. The Flow Control Decal is marked 0 (closed) to 10. The position selected determines the amount of material to be broadcast. The higher the number, the heavier the application of material. NOTE: Close Shutter before filling Hopper. Keep the Plastic Knob and Stop Gage tight at all times.
- The Directional Handle controls material spread pattern. Adjustment can be made for different density material by moving the Handle to the RIGHT or LEFT. Handle moves OPPOSITE the direction you want pattern to move. See Directional Decal on Handle for proper use.



### CAUTION

- Do not load the hopper with more than the maximum weight capacity of 125 (BST-250) or 175 (BST-350) pounds.

- Determine the Flow Control number setting required for your job using the Application Rate Chart. After determining the correct setting number for your material, move Flow Control Handle (adjust shutter) to that position. This is done by loosening the Plastic Knob and moving the Stop Gage to this number, then retightening Knob.

## OPERATING TIPS

- When spreading ice melters, use 2 Hairpin Cotter - 1 in each Wheel hub, for better traction.
- When spreading seed, fertilizer, etc., insert only 1 Hairpin Cotter in either the right or left Wheel hub.
- Do not fill Hopper and transport over long distances. This may result in packing, causing poor or erratic discharge. Fill only at operation site.
- Break up any lumps as you fill the Hopper.
- Do not use on windy days, especially when spreading fine grass seed or herbicides.
- For best results, select a LOWER (smaller number) Shutter setting and spread material using TWO light applications - use a "criss-cross" or overlap pattern on the second application.

## MAINTENANCE

- To ensure years of trouble-free service, clean the Spreader thoroughly with water after each use.
- For rust on frame parts, sand lightly and paint with enamel.
- Periodically lubricate all bearing surfaces.

## APPLICATION RATE CHART

Fertilizer application rates (as shown on the chart) are affected by humidity and the moisture content of the material (granular and pellet). Therefore, minor setting adjustments may be necessary to compensate for these conditions.

Material Type	Average Recommended Usage	Speed	Shutter Setting	Spread Width
<b>SEED</b>				
KY BLUEGRASS	2 lb./1,000 sq. ft.	3 MPH	5	7 ft.
RYE	4 lb./1,000 sq. ft.	3 MPH	5	8 ft.
TALL LAWN FESCUE	6 lb./1,000 ft.	3 MPH	5	9 ft.
<b>FERTILIZER</b>				
10-10-10	50 lb./5,000 sq. ft.	3 MPH	7	11 ft.
10-20-10 WONDER GRO	40 lb./10,000 sq. ft.	3 MPH	7	11 ft.
10-18-10 GREEN VIEW WINTER GREEN 2 WAY	20 lb./5,000 sq. ft.	3 MPH	4	7 ft.
18-24-6 SCOTT'S STARTER FERTILIZER	20 lb./3,000 sq. ft. 20 lb./5,000 sq. ft.	3 MPH 3 MPH	6 5	6 ft. 6 ft.
SCOTT'S TURF BUILDER	13 1/4 lb./5,000 sq. ft.	3 MPH	4	6 ft.
<b>LAWN WEED AND INSECT CONTROL</b>				
WONDER-GRO LAWN WEED KILLER	8 lb./5,000 sq. ft.	3 MPH	65	4 ft.
SCOTT'S LAWN INSECT CONTROL	12 1/2 lb./5,000 sq. ft.	3 MPH	4	5 ft.