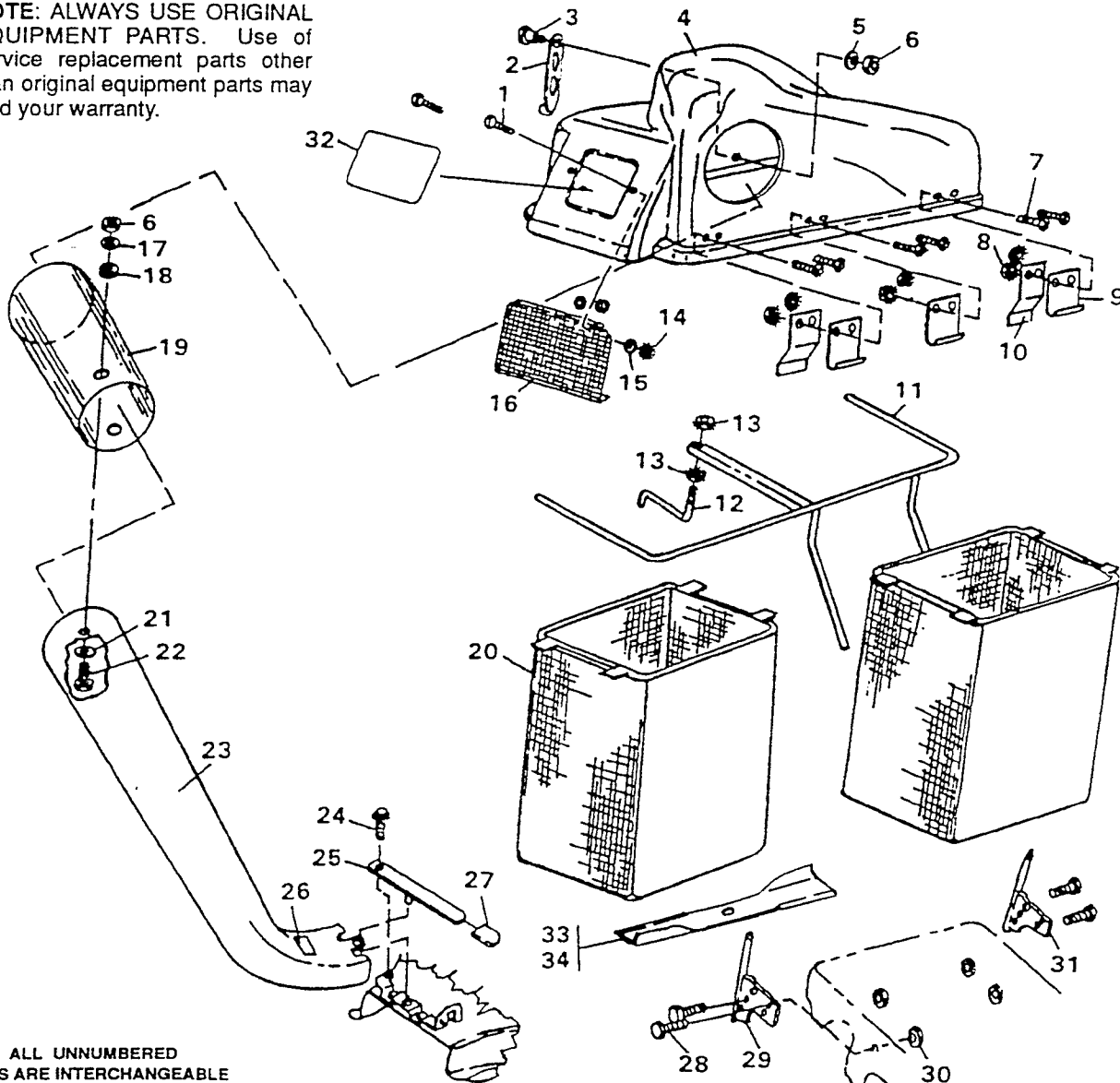


REAR MOUNTED, SIDE DISCHARGE GRASS CATCHER KIT MODEL 5708-18

Key No.	Part No.	Description	Key No.	Part No.	Description
1	57034	Screw, SI FI Hd, No. 10-24 x 5/8 In.	19	57667	Upper Tube Assembly
2	48704	Latch Strap, Rubber	20	58283	Bag
3	46563	Shoulder Bolt, Cover Latch	21	120386	*Flatwasher, 5/16 In.
4	300521	Cover	22	180020	*Screw, Hex Hd, 1/4-20 x 3/4 In.
5	120385	*Flatwasher, 1/4 In.	23	57786	Chute, Transition
6	9424215	Locknut, 1/4-20 Thd.	24	35497	Screw, Taptite, 5/16-18 x 1/2 In.
7	55686	Screw, SI Rd Hd, 1/4-20 x 5/8 In.	25	58320	Lever, Latch
8	271172	*Nut, Keps, 1/4-20 Thd.	26	70568	Decal, Transition Chute
9	300278	Hinge, Cover	27	42348	Tab
10	300624	Retaining Strap	28	180079	*Screw, Hex Hd, 5/16-18 x 1 In.
11	58282	Support Assembly	29	300120	Bracket Assy, Support Mount, R.H.
12	300517	Latch, Rod Cover	30	9413447	Locknut, 5/16-19 Thd.
13	271184	*Nut, Keps, 5/16-18 Thd.	31	300121	Bracket Assy, Support Mount, L.H.
14	271166	Nut, Keps, No. 10-24	32	70567	Decal, Cover
15	9417373	Flatwasher, 13/64 In.	33	58190	Blade, High Lift, (39" Deck) <i>306922</i>
16	300115	Screen	34	58212	Blade, High Lift, (36" & 45" Deck)
17	57626	Flatwasher, 9/32 In.	35	306088	Owner's Manual (Not Illustrated)
18	57506	Rubber Grommet			

(*) Standard Hardware Items - May be Purchased Locally.

NOTE: ALWAYS USE ORIGINAL EQUIPMENT PARTS. Use of service replacement parts other than original equipment parts may void your warranty.



ALL UNNUMBERED
ITEMS ARE INTERCHANGEABLE
WITH OPPOSITE SIDE