

OWNER'S MANUAL

26" - 5 H.P. RIDING MOWER

Red

MODEL 3594-08

WARRANTY

ONE YEAR LIMITED WARRANTY

For one (1) year from date of purchase by the first consumer for residential use (thirty (30) days commercial use), Western International Incorporated warrants that it will replace free of charge, including labor, any original part of any Western International Incorporated product found to be defective by any authorized Service Dealer or the factory, except the battery which is warranted for ninety (90) days from date of purchase.

This warranty does not cover engine, transmission, transaxle or differential (these items are covered by their manufacturer's own warranty). This warranty does not cover parts that have failed due to normal wear or parts that have failed subject to misuse or abuse. Transportation of the unit or part to and from an authorized Service Dealer or the factory is the responsibility of the owner.

A step by step explanation as to what procedure should be followed for this Warranty is:

1. If a part becomes defective, contact the store where the unit was purchased for the name and address of the authorized Service Dealer nearest to you.
2. If you cannot locate an authorized Service Dealer, write Service Department of Western International Incorporated for the name and address of the authorized Service Dealer in your area or call the Service Department at 1-800-247-7464 (outside Iowa), 1-515-265-3461 (Iowa).
3. Return the defective product, along with proof of purchase to such authorized Service Dealer for replacement of any defective part where covered by this warranty.

There is no other express warranty. Implied warranties, including those of merchantability and fitness for a particular purpose are limited to one (1) year from date of purchase. Liability for incidental or consequential damages are excluded.

Some states do not allow limitations on how long an implied warranty lasts, so the above limitation may not apply to you. Some states do not allow the exclusion of incidental or consequential damages, so the above exclusion may not apply to you. This warranty gives you specific legal rights, and you may have other rights which vary from state to state.

Western International Incorporated

P.O. Box 377

Des Moines, Iowa 50302

UNIT PARTS AND SERVICE

This manual contains instructions for safety, assembly and maintenance. Read this manual carefully and completely so that you will know proper assembly, use and care of your unit. Also fill in and mail the registration card packed with the unit. For service other than covered in this manual, contact an authorized service dealer. A nationwide parts and service organization has been established to provide locally available parts and service. A list of authorized parts distributors has been included in this manual. When ordering repair parts, always give the following information: 1. The Part Name; 2. The Part Number; 3. The Quantity desired; 4. The Full (eight digit) Model Number of the unit. The model number will be found on a plate attached to the unit.

Look for this symbol.



It means - ATTENTION! BECOME ALERT! A HAZARD TO OPERATOR, BYSTANDERS, PROPERTY OR EQUIPMENT MAY EXIST.

WESTERN INTERNATIONAL INCORPORATED

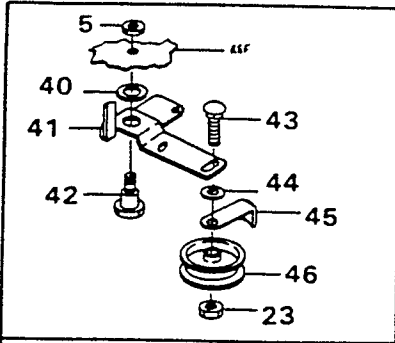
P.O. BOX 377

DES MOINES, IOWA 50302

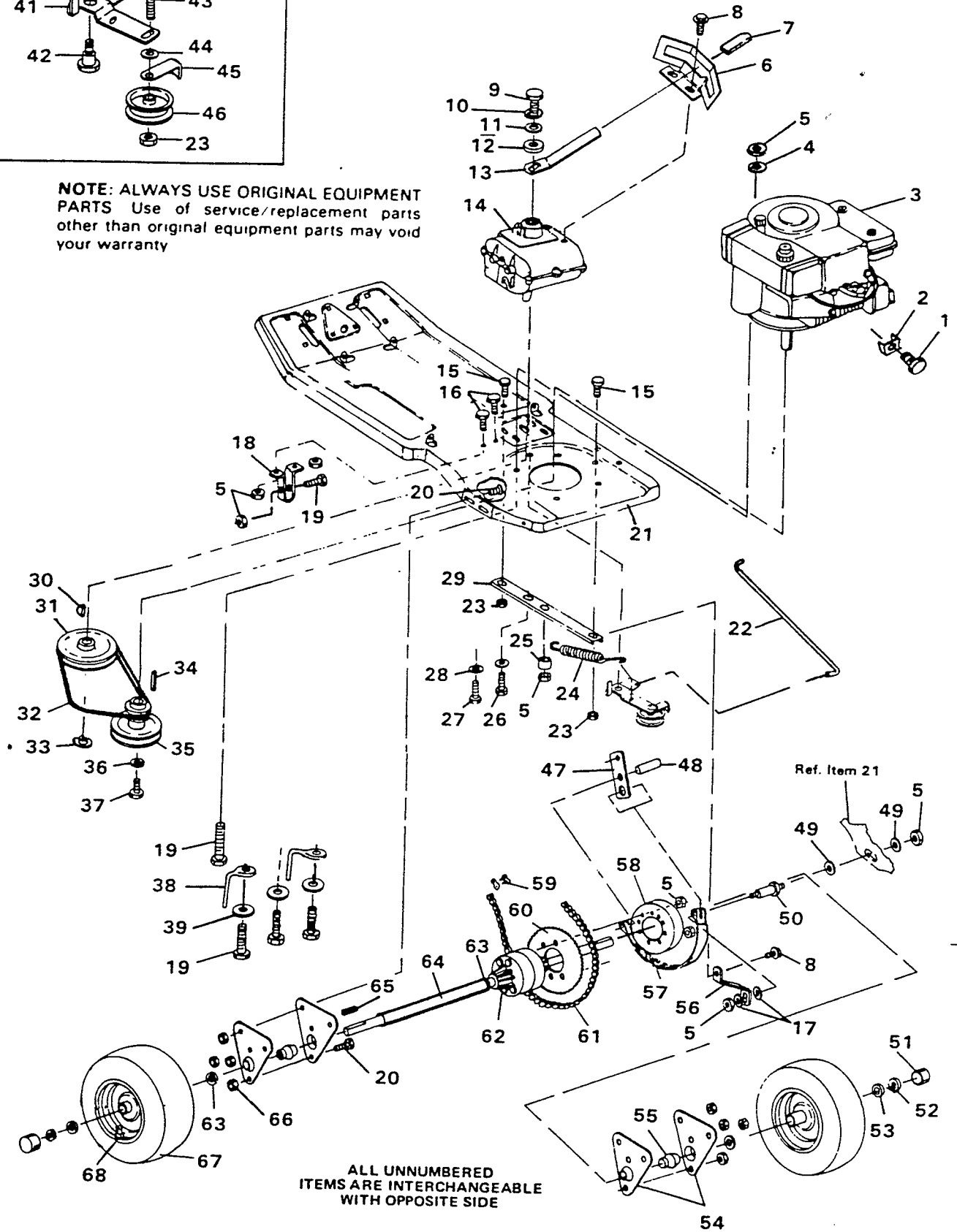
Part No. 63063

0487

26" RIDING MOWER MODEL 3594-08



NOTE: ALWAYS USE ORIGINAL EQUIPMENT PARTS Use of service/replacement parts other than original equipment parts may void your warranty



REPAIR PARTS

26" RIDING MOWER MODEL 3594-08

ALWAYS GIVE THE FOLLOWING INFORMATION WHEN ORDERING REPAIR PARTS:

1. The PART NUMBER; 2. The PART NAME; 3. QUANTITY DESIRED; 4. The MODEL NUMBER (As shown on Model Plate)

SEND PART ORDERS AS PER INSTRUCTIONS ON THE FRONT PAGE

YOUR UNIT IS RIGHT HAND (RH) OR LEFT HAND (LH) AS YOU STAND BEHIND IT.

DO NOT USE KEY NUMBERS WHEN ORDERING REPAIR PARTS, ALWAYS USE PART NUMBERS.

All replacement parts will be supplied in current production colors or in a neutral color.

A handling fee is applicable to small parts orders.

Key No.	Part No.	Description
1	995363	Screw, Hex Hd, No. 10-32 x 5/8 In.
2	27521	Clip, Throttle Control
3	Engine	§See footnote below
4	120638	Lockwasher, Split, 5/16 In.
5	9413447	Locknut, 5/16-18 Thd
6	55452	Quadrant
7	55621	Grip
8	35497	Screw, Taptite, 5/16-18 x 1/2 In.
9	54686	Screw, Nylock, 1/4-28 x 3/4 In.
10	120380	Lockwasher
11	9421393	*Flatwasher, 9/32 In.
12	50618	Spacer
13	55487	Plate, Spring
14	Transmission	†Peerless, Model 757-A
15	122119	*Screw, Hex Hd, 3/8-16 x 3/4 In.
16	120228	Screw, Hex Hd, 5/16-18 x 5/8 In.
17	25840	Spring Washer
18	55658	Guide, Mower Deck
19	122040	*Screw, Hex Hd, 5/16-18 x 1 1/2 In.
20	126211	*Carriage Bolt, 5/16-18 x 5/8 In.
21	55465	Main Frame
22	55461	Clutch Rod
23	9413534	Locknut, 3/8-16 Thd
24	35410	Spring, Idler
25	21882	Spacer
26	122017	Screw, Hex Hd, 5/16-18 x 1 In.
27	122007	*Screw, Hex Hd, 5/16-18 x 3/4 In.
28	138485	Washer, Shakeproof, 5/16 In.
29	55464	Channel, Stiffener
30	3021	Key, Woodruff No. 606
31	55455	Pulley, Transmission
32	55450	V-Belt
33	22053	Retaining Ring
34	33200	Key, Square, 1/4 x 1/4 x 1 1/2 In.

Key No.	Part No.	Description
35	55477	Pulley, Engine
36	120382	Lockwasher, Split, 3/8 In.
37	120758	*Screw, Hex Hd, 3/8-24 x 7/8 In.
38	55480	Belt Guide
39	446363	Flatwasher
40	48253	Flatwasher, 5/8 In.
41	55467	Arm, Idler
42	41890	Shoulder Bolt
43	45892	Carriage Bolt, 3/8-16 x 1 1/2 In.
44	274517	*Flatwasher, 13/32 In.
45	39659	Retainer, Belt
46	35374	Pulley, Idler
47	55448	Brake Arm
48	456713	Roll Pin
49	120393	*Flatwasher, 11/32 In. I.D.
50	55447	Pin, Brake Anchor
51	40394	Hub Cap, Rear
52	36625	Retaining Ring
53	42815	Flatwasher, 3/4 In.
54	47596	Bracket, Bearing Retaining
55	35345	Bearing, Self-Aligning
56	55463	Brace, Brake Pin
57	55449	Band, Brake
58	54952	Drum, Brake
59	20307	Link, Connector
60	55456	Sprocket, 45 Tooth
61	55491	Chain Assembly
62	52631	Differential
63	642	Flatwasher, 3/4 In.
64	52823	Spacer, Differential
65	39628	Key, Square
66	271184	*Nut, Keps, 5/16-18 Thd
67	41060	Wheel & Tire Assy., Rear
68	24167	Valve Stem
69	63063	Owner's Manual (Not Illustrated)

*Standard Hardware Items - May Be Purchased Locally.

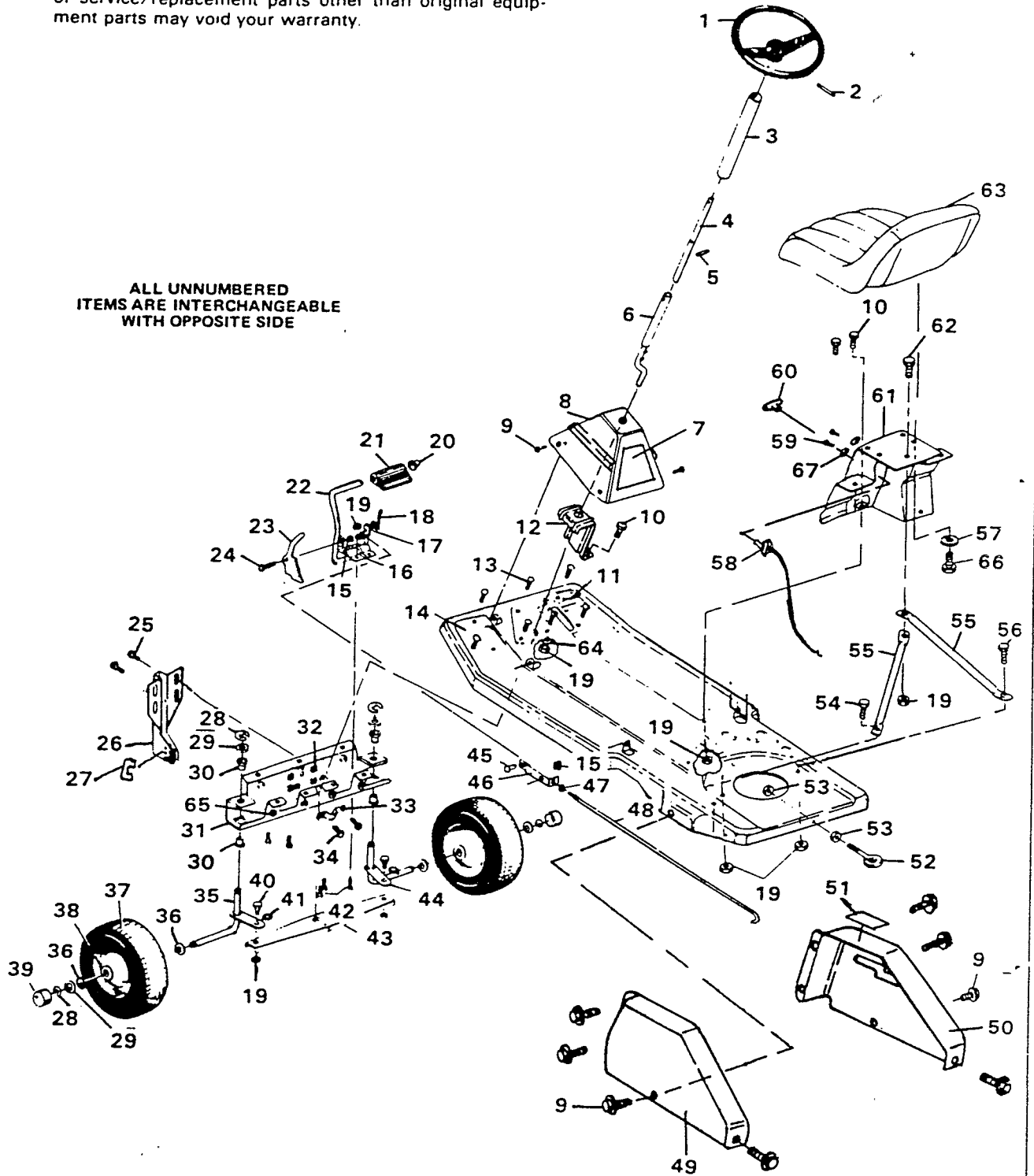
†Contact Tecumseh/Peerless authorized service dealer for parts and warranty.

§Contact Engine Manufacturer's authorized service dealer (See Engine Manual) for parts and warranty.

26" RIDING MOWER MODEL 3594-0600

NOTE: ALWAYS USE ORIGINAL EQUIPMENT PARTS. Use of service/replacement parts other than original equipment parts may void your warranty.

ALL UNNUMBERED ITEMS ARE INTERCHANGEABLE WITH OPPOSITE SIDE



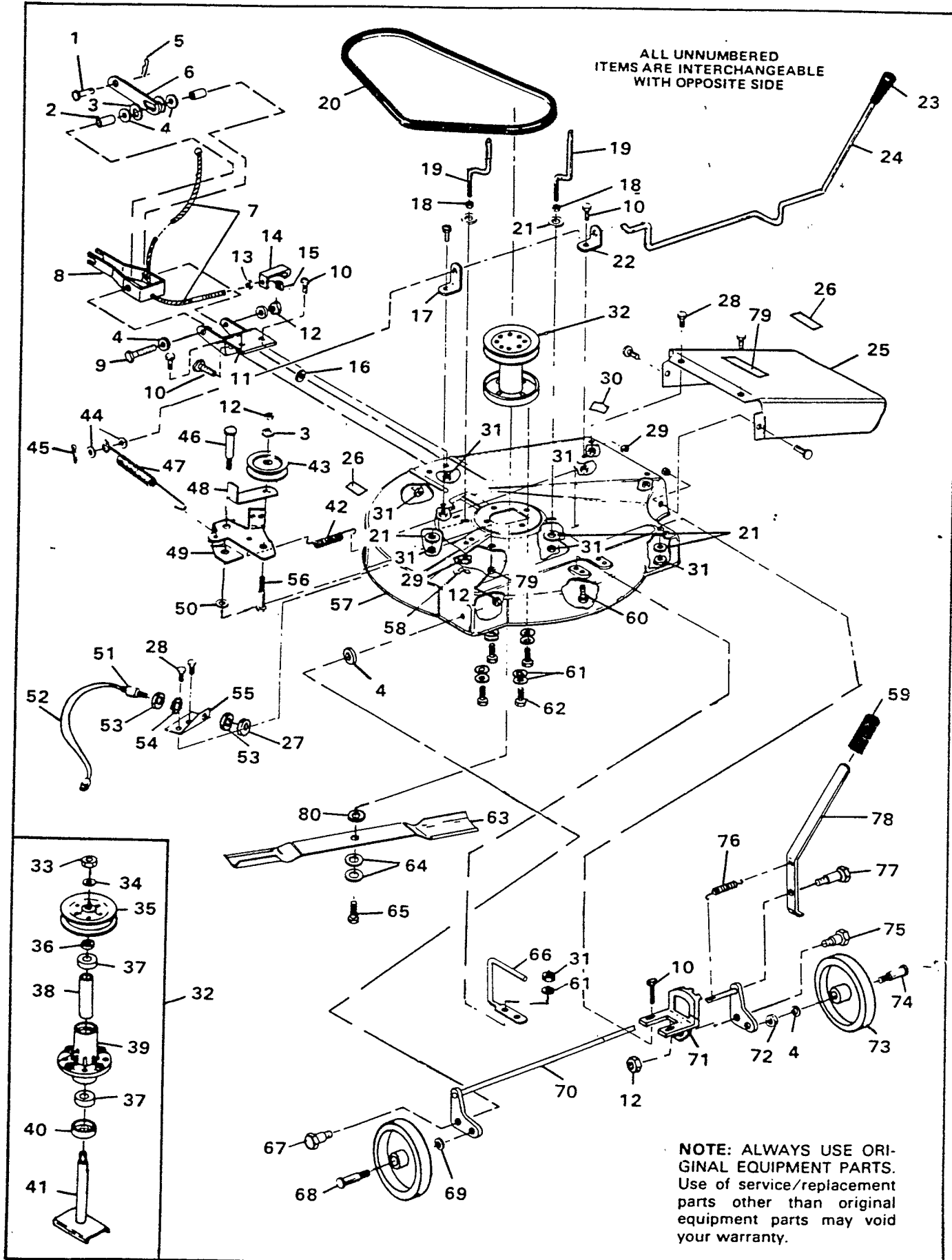
26" RIDING MOWER MODEL 3594-08

Key No.	Part No.	Description
1	52955	Wheel, Steering
2	456836	Roll Pin, 1/4 x 2 1/4 In.
3	51858	Tube, Steering, Decorative
4	52952	Shaft, Steering
5	9417375	Pin, Spiral, 3/16 x 1 1/2 In.
6	52953	Shaft, Steering
7	70595	Decal, Console
8	55454	Console Assembly
9	995346	Screw, Taptite, 1/4-20 x 1/2 In.
10	48901	Screw, Hex Hd, 5/16-18 x 5/8 In.
11	55490	Pad, Footrest, R.H.
12	55445	Support, Steering
13	126211	*Carriage Bolt, 5/16-18 x 5/8 In.
14	55489	Pad, Footrest, L.H.
15	9424215	Locknut, 1/4-20 Thd
16	44112	Bracket, Clutch/Brake
17	120393	*Flatwasher, 11/32 In.
18	8260	Hairpin Cotter
19	9413447	Locknut, 5/16-18 Thd
20	44582	Nut, Push, 7/16 In.
21	52840	Pad, Clutch/Brake Pedal
22	51833	Lever Assembly, Clutch/Brake
23	47601	Lever, Parking Brake
24	3275	Shoulder Bolt
25	122119	*Screw, Hex Hd, 3/8-16 x 3/4 In.
26	55459	Bracket, Deck Hanger
27	68644	Decal, Deck Hanger Bracket
28	20859	Retaining Ring
29	4107	Flatwasher, 5/8 In.
30	44111	Bearing, Flange
31	55466	Axle Assembly, Front
32	9413534	Locknut, 3/8-16 Thd

*Standard Hardware Items - May Be Purchased Locally.

Key No.	Part No.	Description
33	51805	"U" Bracket, Steering Shaft
34	35497	Screw, Taptite, 5/16-18 x 1/2 In.
35	47595	Spindle, L.H.
36	40677	Flatwasher, 5/8 In.
37	53618	Wheel & Tire Assy. w/Bearing
38	53619	Bearing, Front Wheel
39	36832	Hub Cap, Front
40	46511	Shoulder Bolt
41	3140	Wave Washer
42	120228	*Screw, Hex Hd, 5/16-18 x 5/8 In.
43	44151	Link, Steering
44	47594	Spindle, R.H.
45	39522	Pin, Clevis
46	55460	Bracket, Clutch Rod
47	271172	*Nut, Keps, 1/4-20 Thd
48	55462	Brake Rod
49	55485	Fender, L.H.
50	55486	Fender, R.H.
51	70607	Decal, Shift Pattern
52	44121	Eye Bolt, 3/8-16 x 3 1/2 In.
53	120377	*Nut, Hex, 3/8-16 Thd
54	122007	*Screw, Hex Hd, 5/16-18 x 3/4 In.
55	52845	Support, Seat
56	122027	*Screw, Hex Hd, 5/16-18 x 1 1/4 In.
57	120638	*Lockwasher, Split, 5/16 In.
58	46905	Control, Throttle
59	35287	Screw, Taptite, No. 8-32 x 3/8 In.
60	39486	Knob, Throttle Control
61	57418	Support, Seat
62	122017	*Screw, Hex Hd, 5/16 x 1 In.
63	57689	Seat
64	120393	Flatwasher
65	45174	Locknut, Wide Flange, 5/16-18 Thd.
66	120834	*Screw, Hex Hd, 5/16-18 x 1/2 In.
67	9414106	Washer

26" RIDING MOWER MODEL 3594-08



26" RIDING MOWER MODEL 3594-08

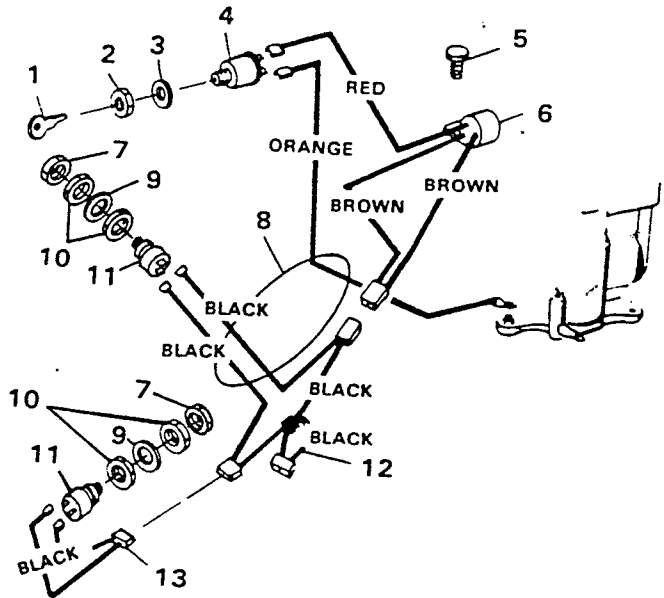
Key No.	Part No.	Description
1	47816	Pull Pin
2	44848	Spacer
3	996416	Flatwasher
4	120394	*Flatwasher, 3/8 In.
5	56180	Hairpin Cotter
6	45536	Hitch Bar
7	55689	Lift Cable Assembly
8	45537	Bracket, Pivot
9	122201	Screw, Hex Hd, 3/8-16 x 2 3/4 In.
10	120228	*Screw, Hex Hd, 5/16-18 x 3/8 In.
11	45542	Bracket, Deck Front
12	9413534	*Locknut, 3/8-16 Thd
13	271172	Nut, Keps, 1/4-20 Thd
14	45533	Bracket, Cable
15	120372	*Nut, Square, 1/4-20 Thd
16	120638	Lockwasher, Split
17	55618	Bracket, Rod
18	271184	*Locknut, Keps, 5/16-18 Thd
19	55481	Belt Guide
20	55442	Belt
21	446363	Washer
22	44132	Bracket Assy, Clutch Lever
23	3057	Knob
24	44144	Rod, Clutch
25	43950	Chute Deflector
26	68542	Decal, Danger
27	56635	Nut, Hex, 15/32-32 Thd.
28	120706	*Screw, Hex Hd, 1/4-20 x 1/2 In.
29	9424215	*Locknut, Hex, 1/4-20 Thd
30	68882	Decal, Blade & Clutch Adjust
31	9413447	*Locknut, Hex, 5/16-18 Thd
32	56282	Quill Assy. (Incl. Nos. 33-41)
33	51445	Locknut, Flange, 7/16-20 Thd
34	56365	Flatwasher
35	56390	Pulley
36	56280	Spacer
37	49562	Bearing
38	50818	Spacer, Tube
39	55547	Quill Housing
40	50616	Dust Shield

Key No.	Part No.	Description
41	56623	Saddle & Shaft Assembly
42	35410	Spring, Brake
43	45074	Pulley, Idler
44	274517	Flatwasher
45	121222	*Cotter Pin, 3/32 x 3/4 In.
46	52209	Shoulder Bolt
47	55619	Spring, Mower Clutch <i>adjust 77</i>
48	39659	Belt Retainer
49	55495	Arm Assembly, Idler
50	845	Flatwasher
51	41204	Switch, Safety
52	43038	Wire Assy, Safety Switch
53	45877	Locknut
54	45878	Lockwasher
55	55622	Bracket, Safety Switch
56	122168	Screw, Hex Hd, 3/8-16 x 1 3/4 In.
57	43926	Mower Deck
58	41482	Wire Clip, Press
59	20250	Grip, Hand
60	122017	Screw, Hex Hd, 5/16-18 x 1 In.
61	45602	Washer
62	50634	Screw, Taptite, 5/16-18 x 3/8 In.
63	55476	Blade, 26 In.
64	2483	Spring Washer
65	39573	Screw, Hex Hd, 3/8-24 x 1 In.
66	55478	Guide, Rear
67	29194	Shoulder Bolt
68	45406	Shoulder Bolt
69	120382	*Lockwasher, Split, 3/8 In.
70	45539	Tube Assy, Height Adjust
71	45540	Quadrant, Height Adjust
72	271190	*Locknut, Keps, 3/8-16 Thd
73	52584	Wheel
74	23763	Shoulder Bolt
75	45434	Shoulder Bolt
76	42694	Spring
77	39119	Shoulder Bolt
78	45541	Lever, Height Adjust
79	70594	Decal, Caution
80	35336	Washer

*Standard Hardware Items - May Be Purchased Locally.

26" RIDING MOWER MODEL 3594-08

Key No.	Part No.	Description
1	49643	Key, Ignition
2	48140	Nut (Ignition Switch Part)
3	138557	Lockwasher (Ignition Switch Part)
4	46376	Switch, Ignition
5	35287	Screw, Taptite, No. 8-32 x 3/8 In.
6	55474	Control Module
7	56635	Nut, Hex, 15/32-32 Thd.
8	55473	Wire Assembly
9	45878	Lockwasher (Lockout Switch Part)
10	45877	Locknut (Lockout Switch Part)
11	41204	Switch, Lockout, Mower Deck
12	42071	Wire Assembly, By-Pass
13	43038	Wire Assembly, Deck Switch



NOTE: ALWAYS USE ORIGINAL EQUIPMENT PARTS. Use of service/replacement parts other than original equipment parts may void your warranty.