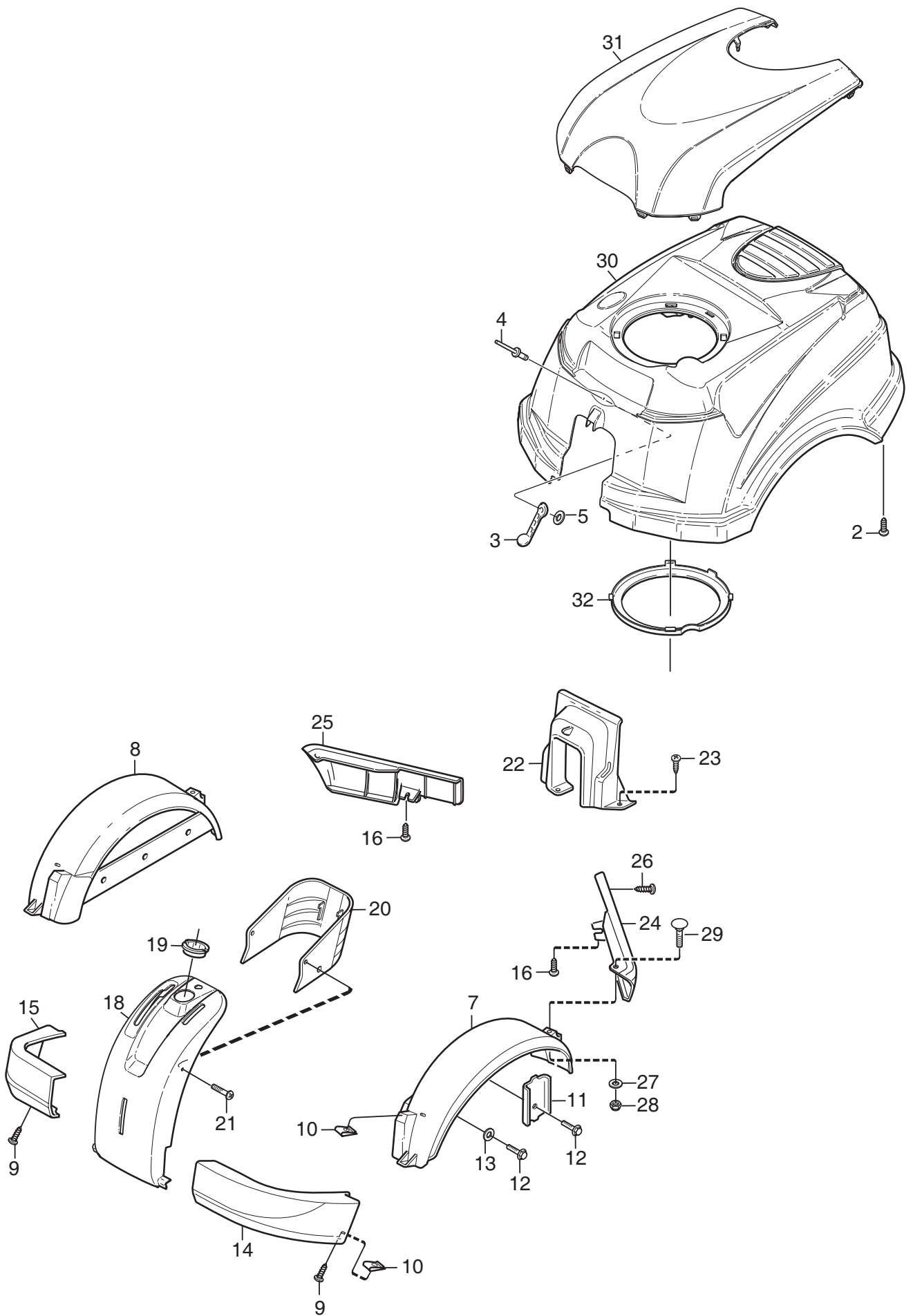
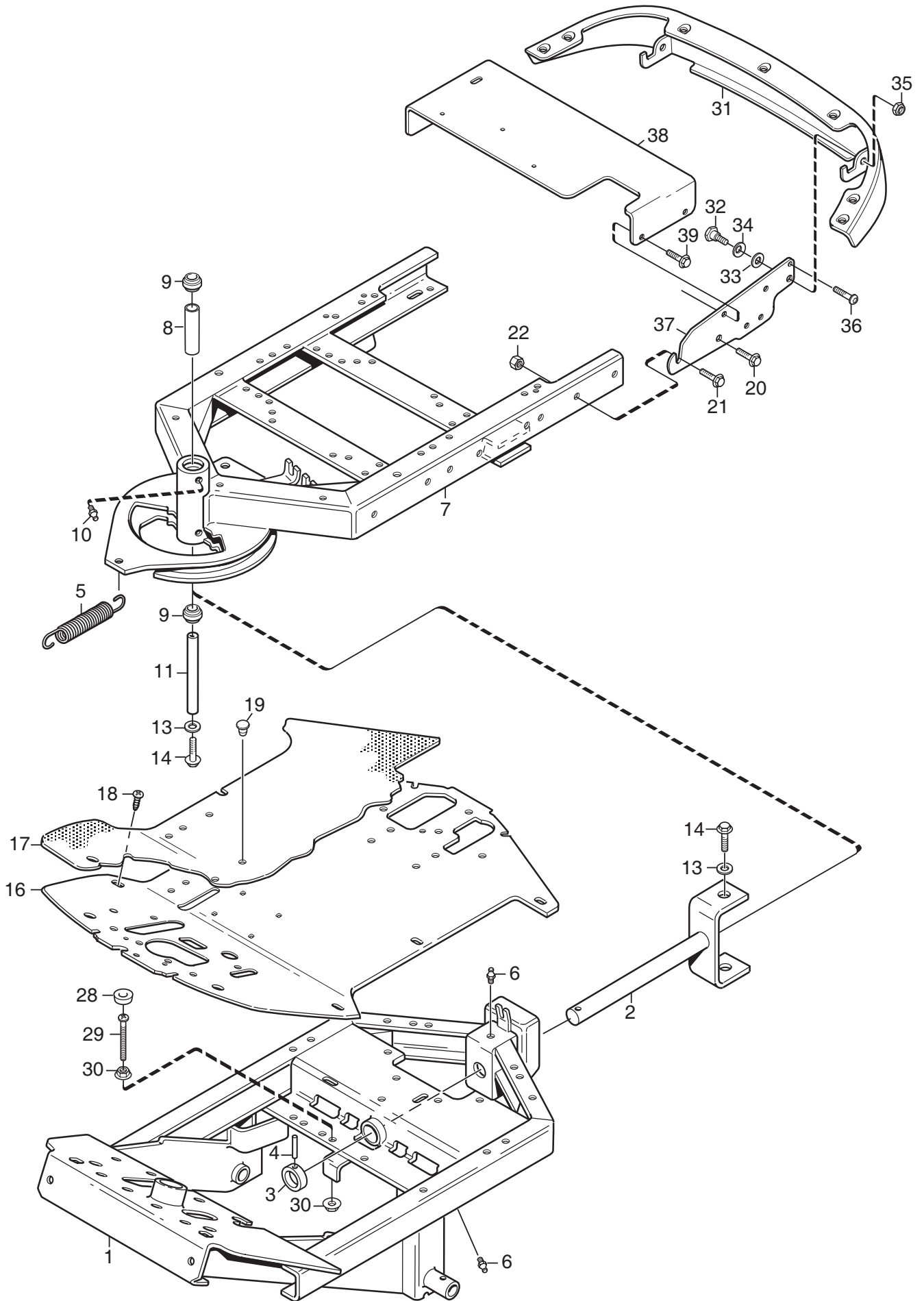


| Ausgabe Issue 2008-31 | | Bild Nr Picture No C138 | | XK 140HD- XK 160HD- XK4 160HD MONTAGETEILE | | XK 140HD- XK 160HD- XK4 160HD ASSEMBLY PARTS | | Seite Page 76 | |
|-----------------------------|-----------------------------|-------------------------------|---|--|------------------------|--|--------------------------|---------------------|--------------------|
| Pos. Fig. | Anzahl/Quantity | | | | Artikel Nr. Part No | Bezeichnung | Description | Satz Kit | Anmerkung Notes |
| | 6102 6103 6104 -89 | 6103 6104 -39 | | | | | | | |
| | 2 | 1 | 1 | | 1134-6113-01 | Batterieschrauben..... | Battery screws | | |
| | 4 | 1 | 1 | | 9595-0262-00 | Spannstift | Locating pin | | |
| | 5A | 1 | 1 | | 9699-0103-02 | Scheibe..... | Flat washer..... | | 0.5 mm |
| | 5B | 1 | 1 | | 9699-0114-02 | Scheibe..... | Flat washer..... | | 1.0 mm |
| | 6 | 2 | 2 | | 1134-4185-01 | Flanschscheibe | Flange washer | | |
| | 7 | 2 | 2 | | 9959-0820-16 | Schraube | Screw | | |
| | 8 | 2 | 2 | | 1134-4481-01 | Flügelmutter | Wing nut | | |
| | 9 | 4 | 4 | | 9699-0056-02 | Scheibe..... | Flat washer..... | | |
| | 10 | 2 | 2 | | 1134-4734-01 | Zündschlüssel | Ignition key | | |
| | 12 | 2 | 2 | | 9997-0820-16 | Schraube | Screw..... | | |
| | 13 | 1 | 1 | | 1134-5512-01 | Anhängerplatte | Towing plate..... | | |
| | 14 | 2 | 2 | | 9959-0820-16 | Schraube | Screw..... | | |
| | 15 | 2 | 2 | | 9739-0831-22 | Mutter | Nut | | |
| | 18 | 2 | 2 | | 9898-1035-16 | Schraube | Screw..... | | |
| | 19 | 2 | 2 | | 9739-1031-22 | Mutter | Nut | | |
| X | 31 | 1 | | | 8211-0066-81 | Bedienungsanleitung | Owner's manual | | |
| X | 31 | 1 | | | 8211-0067-81 | Bedienungsanleitung | Owner's manual | | |
| X | 31 | | 1 | | 8211-0083-80 | Bedienungsanleitung | Owner's manual | | CA |
| X | 31 | 1 | | | 8211-0611-81 | Montageanweisung | Assy instructions | | |
| X | 31 | 1 | | | 8211-0781-80 | Sicherheitsvorschrift | Safety regulations | | |

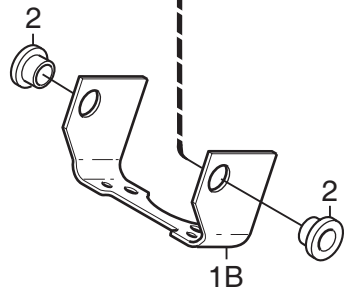
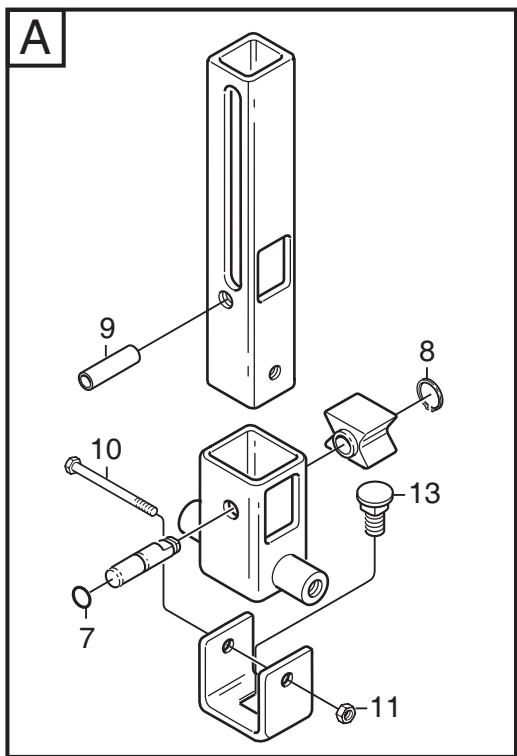
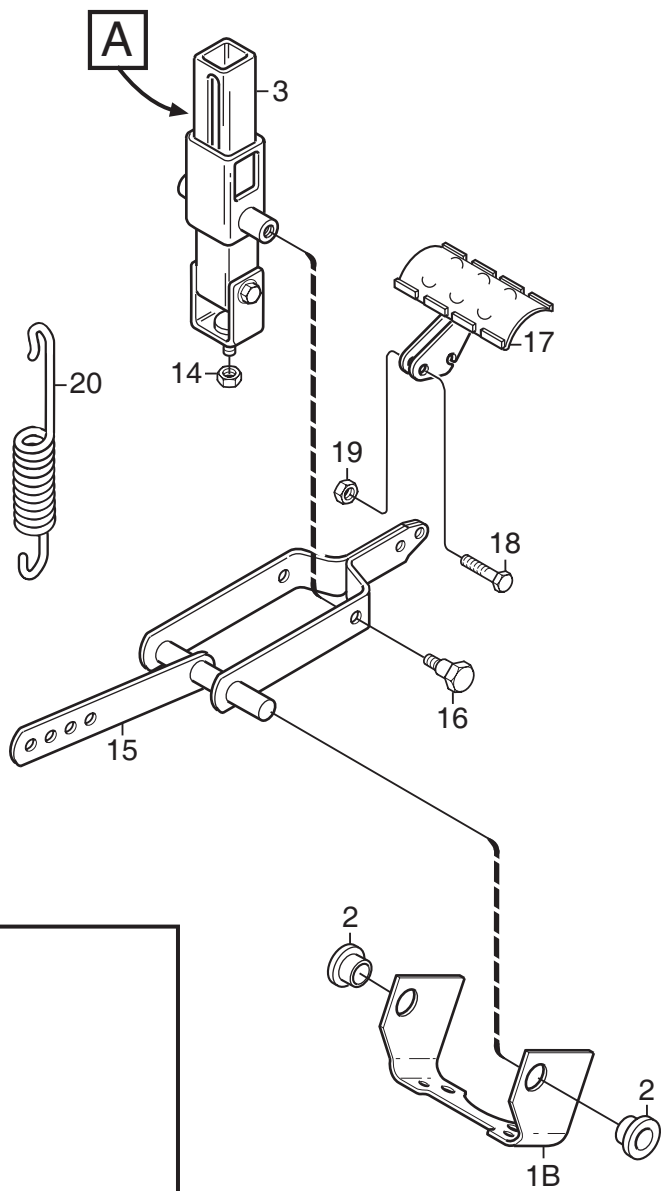


| Ausgabe Issue 2008-31 | | Bild Nr Picture No C195 | | XK 140HD XK 160HD- XK4 160HD KAROSSERIE | | XK 140HD- XK 160HD- XK4 160HD BODY WORK | | Seite Page 78 | |
|-----------------------------|-----------------|-------------------------------|------|---|------------------------|---|--------------------------|---------------------|--------------------|
| Pos. Fig. | Anzahl/Quantity | | | | Artikel Nr. Part No | Bezeichnung | Description | Satz Kit | Anmerkung Notes |
| | 6102 | 6103 | 6104 | | | | | | |
| 2 | 7 | | | | 9838-9530-12 | Schraube | Screw | | |
| 3 | 1 | | | | 1134-2143-01 | Gummistropf | Rubber strap | | |
| 4 | 1 | | | | 9632-0516-00 | Niet | Pop rivet | | |
| 5 | 1 | | | | 9699-0120-02 | Scheibe | Washer | | |
| 7 | 1 | | | | 1134-5308-06 | Kotflügel L- grau | Mud guard LH- grey | | |
| 8 | 1 | | | | 1134-5308-05 | Kotflügel R- grau | Mud guard RH- grey | | |
| 9 | 4 | | | | 9893-0616-16 | Schraube | Screw | | |
| 10 | 4 | | | | 1134-4176-01 | Klemme | Clips | | |
| 11 | 2 | | | | 1134-0225-00 | Stützblech | Support plate | | |
| 12 | 6 | | | | 9945-0816-16 | Schraube | Screw | | |
| 13 | 4 | | | | 9699-0056-02 | Scheibe | Flat washer | | |
| 14 | 1 | | | | 1134-5367-01 | Stoßfänger- vorder, L | Bumper- front, LH | | |
| 15 | 1 | | | | 1134-5367-02 | Stoßfänger- vorder, R | Bumper- front, RH | | |
| 16 | 2 | | | | 9893-0616-16 | Schraube | Screw | | |
| 18 | 1 | | | | 1134-6748-01 | Vorderpanel | Front decor | | |
| 19 | 1 | | | | 1134-4483-01 | Buchse | Bushing | | |
| 20 | 1 | | | | 1134-5361-01 | Vorderdeckel | Front cover | | |
| 21 | 2 | | | | 9840-8019-16 | Schraube | Screw | | |
| 22 | 1 | | | | 1134-6241-01 | Haubenstütz | Hood support | | |
| 23 | 3 | | | | 9893-0616-16 | Schraube | Screw | | |
| 24 | 1 | | | | 1134-3970-10 | Leiste L- grau | Moulding- LH, grey | | |
| 25 | 1 | | | | 1134-3970-09 | Leiste R, grau | Moulding- RH, grey | | |
| 26 | 2 | | | | 9893-0616-16 | Schraube | Screw | | |
| 27 | 2 | | | | 9699-0060-02 | Scheibe | Flat washer | | |
| 28 | 2 | | | | 9747-0631-02 | Mutter | Lock nut | | |
| 29 | 2 | | | | 9897-0616-16 | Schraube | Carriage bolt | | |
| 30 | 1 | | | | 1134-5744-03 | Motorhaube- rot | Engine hood- red | | |
| 31 | 1 | | | | 1134-5743-03 | Motordeckel- grau | Engine cover- grey | | |
| 32 | 1 | | | | 1134-6116-06 | Luftring | Air duct | | |

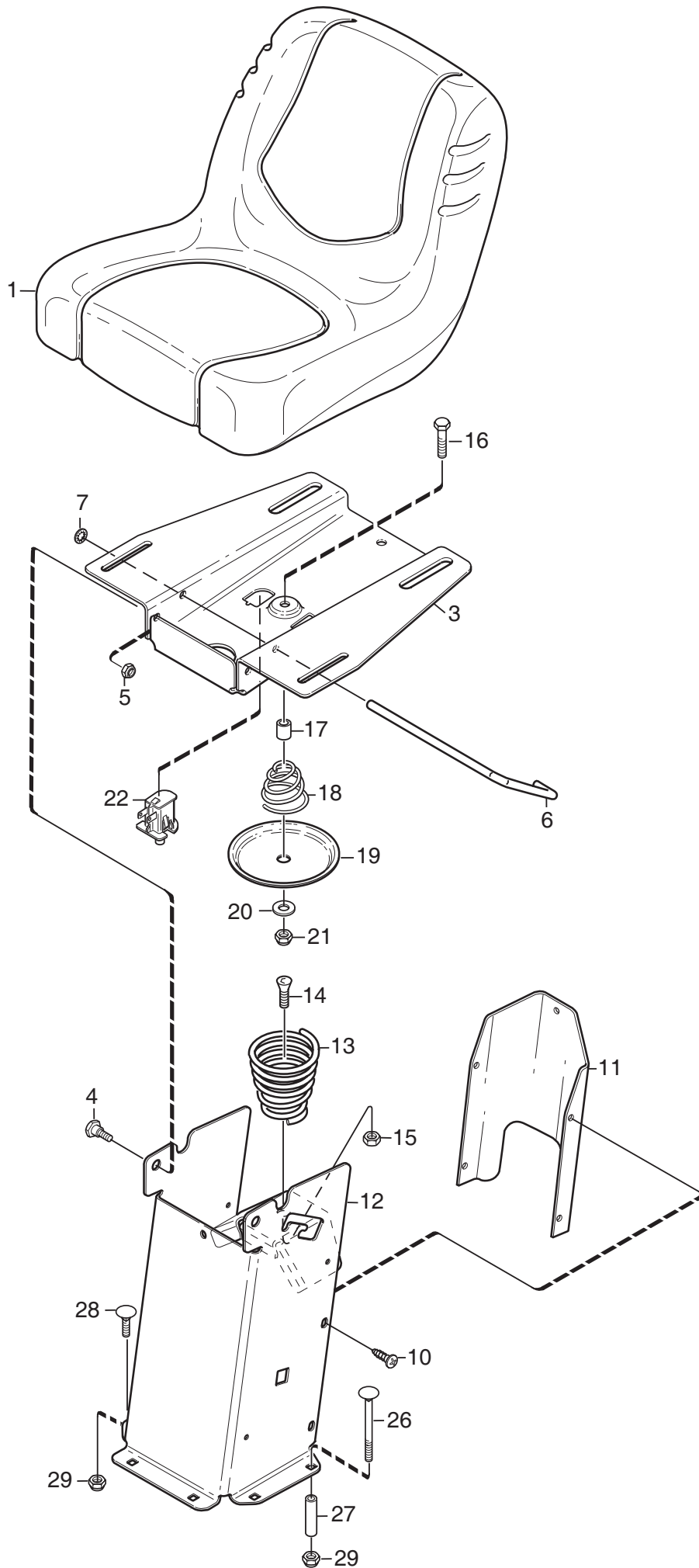
X



| Ausgabe Issue 2008-31 | | Bild Nr Picture No C140 | | XK 140HD- XK 160HD RAHMEN 2WD | | XK 140HD- XK 160HD FRAME 2WD | | Seite Page 80 | |
|-----------------------------|-----------------|-------------------------------|--|----------------------------------|------------------------|---------------------------------|--------------------------|---------------------|--------------------|
| Pos. Fig. | Anzahl/Quantity | | | | Artikel Nr. Part No | Bezeichnung | Description | Satz Kit | Anmerkung Notes |
| | 6102 | | | | | | | | |
| X | 1 | 1 | | | 1134-5315-03 | Rahmen- vordere | Frame- front | | Grey |
| | 2 | 1 | | | 1134-3963-02 | • Gabel | • Clevis | | |
| | 3 | 1 | | | 1134-0031-00 | • Lenkachsenanschlag | • Pivot shaft stop | | |
| | 4 | 1 | | | 9595-0262-00 | • Spannstift | • Locating pin | | |
| | 5 | 1 | | | 1134-2171-01 | Feder | Spring | | |
| | 6 | 2 | | | 9501-0500-00 | Schmiernippel | Grease joint | | |
| | 7 | 1 | | | 1134-6466-01 | Rahmen- hintere | Frame- rear | | |
| | 8 | 1 | | | 1134-5705-01 | • Distanz | • Spacer | | |
| | 9 | 2 | | | 9547-0001-00 | • Lager | • Bearing | | |
| | 10 | 2 | | | 9501-0500-00 | • Schmiernippel | • Grease joint | | |
| | 11 | 1 | | | 1134-5988-01 | Zentrumachse | Centre shaft | | |
| | 13 | 2 | | | 9699-0035-02 | Scheibe | Flat washer | | |
| | 14 | 2 | | | 9959-1025-16 | Schraube | Screw | | |
| | 16 | 1 | | | 1134-5294-01 | Bodenblech | Floor plate | | |
| | 17 | 1 | | | 1134-6372-04 | Bodenblechmatte | Floor mat | | |
| | 18 | 2 | | | 9893-0616-16 | Schraube | Screw | | |
| | 19 | 2 | | | 9403-0048-70 | Propfen | Plug | | |
| | 20 | 2 | | | 9945-0816-16 | Schraube | Screw | | |
| | 21 | 2 | | | 9959-0820-16 | Schraube | Screw | | |
| | 22 | 2 | | | 9739-0831-22 | Mutter | Nut | | |
| | 28 | 1 | | | 1134-4975-01 | Gummidämpfer | Rubber block | | |
| | 29 | 1 | | | 9950-0570-12 | Schraube | Screw | | |
| | 30 | 2 | | | 9739-0531-22 | Mutter | Nut | | |
| | 31 | 1 | | | 1134-5337-03 | Stoßfänger- hintere | Bumper- rear, grey | | |
| | 32 | 2 | | | 1134-0240-00 | Ansatzbolzen | Shoulder screw | | |
| | 33 | 2 | | | 1134-4242-01 | Distanzscheibe | Spacer washer | | |
| | 34 | 2 | | | 9665-0002-00 | Tellerscheibe | Bowed washer | | |
| | 35 | 2 | | | 9747-0831-02 | Mutter | Lock nut | | |
| | 36 | 2 | | | 9943-0516-16 | Schraube | Screw | | |
| | 37 | 2 | | | 1134-5345-01 | Halterung | Attachment | | |
| | 38 | 1 | | | 1134-5344-01 | Batterieregal | Battery shelf | | |
| | 39 | 4 | | | 9945-0816-16 | Schraube | Screw | | |

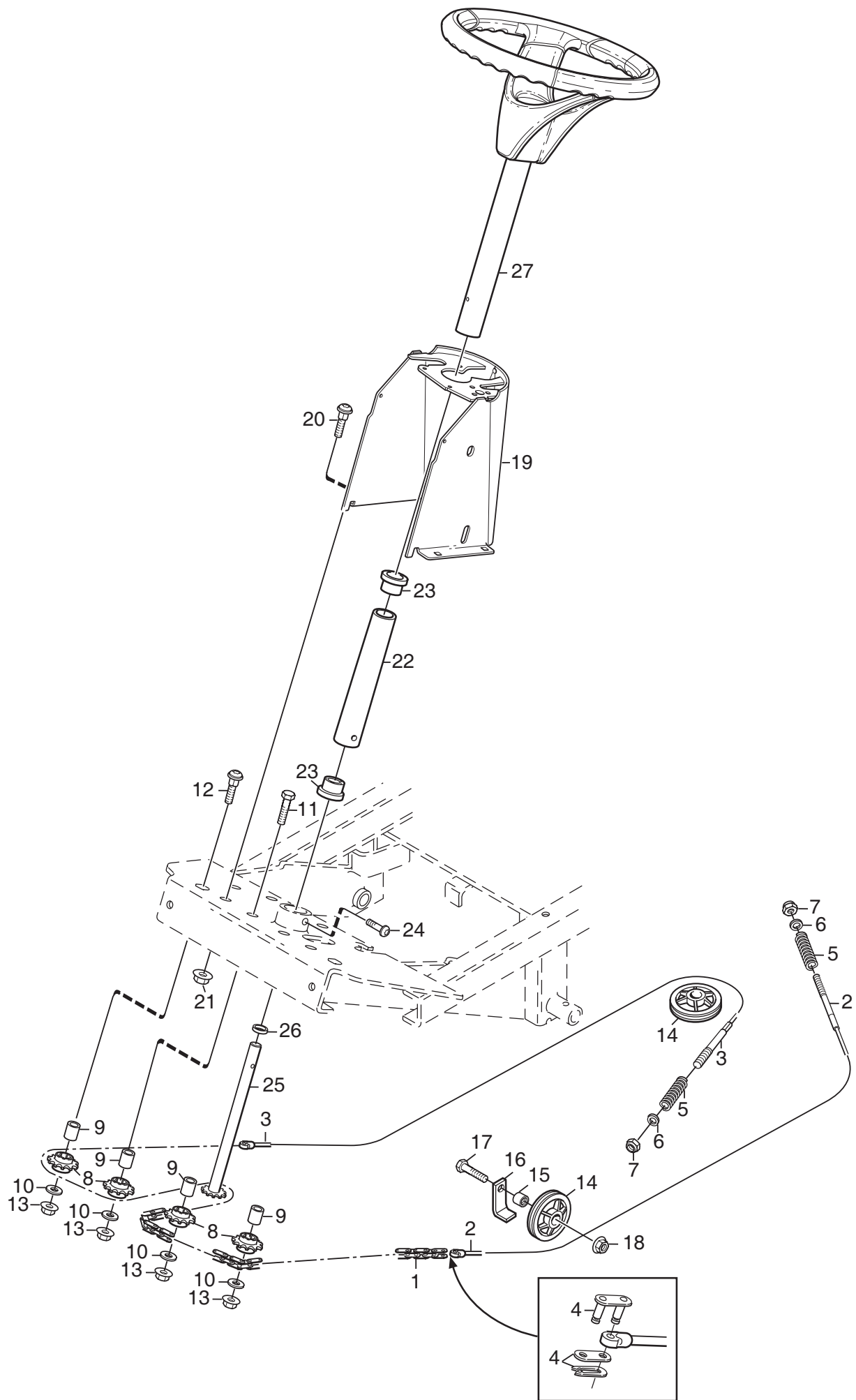


| Ausgabe Issue 2008-31 | | Bild Nr Picture No C142A | | XK 140HD XK 160HD- XK4 160HD PEDALHEBER | | XK 140HD- XK 160HD- XK4 160HD PEDAL LIFT | | Seite Page 84 | |
|-----------------------------|-----------------|--------------------------------|------|---|------------------------|--|----------------------|---------------------|--------------------|
| Pos. Fig. | Anzahl/Quantity | | | | Artikel Nr. Part No | Bezeichnung | Description | Satz Kit | Anmerkung Notes |
| | 6102 | 6103 | 6104 | | | | | | |
| 1B | 1 | | | | 1134-4117-01 | Halterung..... | Bracket..... | | |
| 2 | 2 | | | | 1134-2684-01 | Lager..... | Bearing..... | | |
| 3 | 1 | | | | 1134-4945-01 | Hebesperre Kpl..... | Lift catch assy..... | | |
| 7 | 1 | | | | 9404-0027-01 | • O- ring..... | • O- ring..... | | |
| 8 | 1 | | | | 9650-0039-04 | • Schließring..... | • Lock ring..... | | |
| 9 | 1 | | | | 9595-0276-01 | • Spannstift..... | • Locating pin..... | | |
| 10 | 1 | | | | 9997-0640-12 | • Schraube..... | • Screw..... | | |
| 11 | 1 | | | | 9747-0631-02 | • Mutter..... | • Lock nut..... | | |
| 13 | 1 | | | | 9897-0820-16 | • Schraube..... | • Screw..... | | |
| 14 | 1 | | | | 9747-0831-02 | Mutter..... | Lock nut..... | | |
| 15 | 1 | | | | 1134-4860-01 | Hebegabel..... | Lift fork..... | | |
| 16 | 2 | | | | 1134-0240-00 | Ansatzbolzen..... | Shoulder screw..... | | |
| 17 | 1 | | | | 1134-4938-01 | Hebepedal..... | Lift pedal..... | | |
| 18 | 2 | | | | 9997-0625-16 | Schraube..... | Screw..... | | |
| 19 | 2 | | | | 9739-0631-22 | Mutter..... | Nut..... | | |
| 20 | 1 | | | | 4231-0013-00 | Feder..... | Spring..... | | |



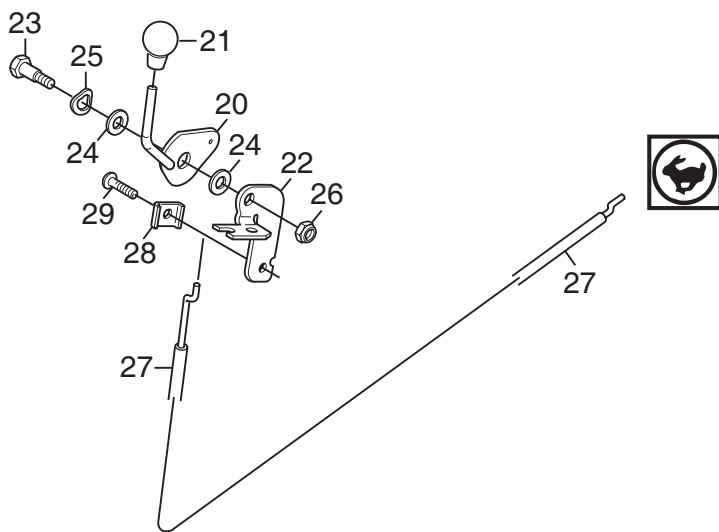
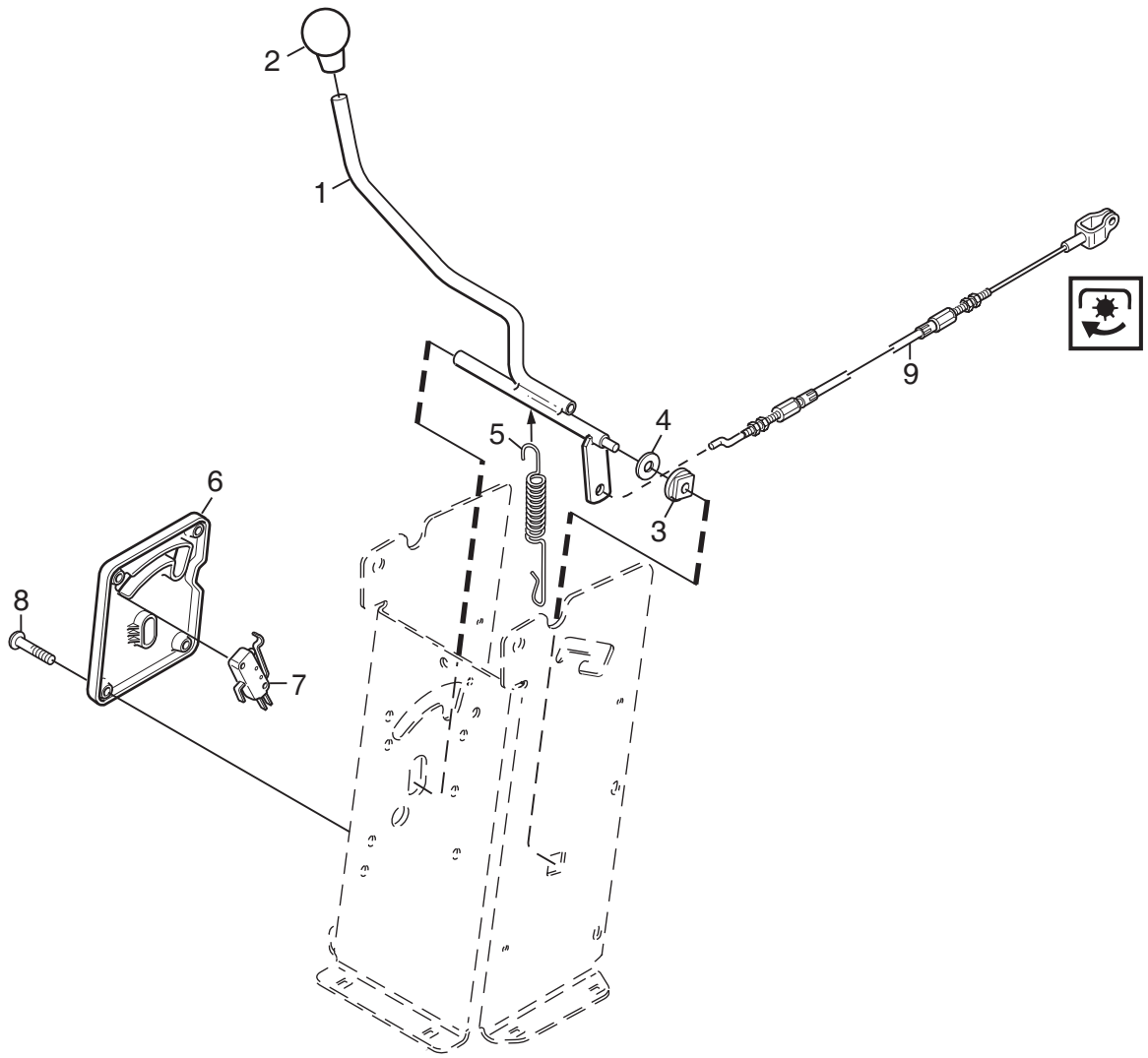
C143

| Ausgabe Issue 2008-31 | | Bild Nr Picture No C143 | | XK 140HD- XK 160HD- XK4 160HD SITZ | | XK 140HD- XK 160HD- XK4 160HD SEAT | | Seite Page 86 | |
|-----------------------------|-----------------|-------------------------------|------|--|------------------------|--|-------------------------|---------------------|--------------------|
| Pos. Fig. | Anzahl/Quantity | | | | Artikel Nr. Part No | Bezeichnung | Description | Satz Kit | Anmerkung Notes |
| | 6102 | 6103 | 6104 | | | | | | |
| 1 | 1 | | | | 1134-5534-01 | Sitz | Seat..... | | |
| 3 | 1 | | | | 1134-5301-01 | Sitzplatte..... | Seat plate | | |
| 4 | 2 | | | | 1134-0240-00 | Ansatzbolzen | Shoulder screw | | |
| 5 | 2 | | | | 9747-0831-02 | Mutter..... | Lock nut | | |
| 6 | 1 | | | | 1134-5454-01 | Sperre..... | Catch..... | | |
| 7 | 1 | | | | 9675-0012-02 | Verriegelungsscheibe | Locking washer | | |
| 10 | 4 | | | | 9893-0616-16 | Schraube | Screw..... | | |
| 11 | 1 | | | | 1134-5300-02 | Hinterplatte- rot | Rear plate- red..... | | |
| 12 | 1 | | | | 1134-5296-06 | Sitzkonsole- rot..... | Seat bracket- red | | |
| 13 | 1 | | | | 1134-4256-01 | Sitzfeder | Seat spring..... | | |
| 14 | 1 | | | | 9924-1235-19 | Schraube | Screw..... | | |
| 15 | 1 | | | | 9747-1231-02 | Mutter..... | Lock nut | | |
| 16 | 1 | | | | 9997-0840-16 | Schraube | Screw..... | | |
| 17 | 1 | | | | 1134-1565-06 | Distanz..... | Spacer | | |
| 18 | 1 | | | | 1134-5302-01 | Feder | Spring | | |
| 19 | 1 | | | | 1134-5299-01 | Druckplatte | Push plate | | |
| 20 | 1 | | | | 9699-0090-02 | Scheibe..... | Flat washer..... | | |
| 21 | 1 | | | | 9747-0831-02 | Mutter..... | Lock nut | | |
| 22 | 1 | | | | 1134-3156-02 | Schalter (grau) | Switch (grey) | | |
| 26 | 2 | | | | 9897-0880-12 | Schraube | Screw..... | | L = 80 mm |
| 27 | 2 | | | | 1134-1565-08 | Distanz..... | Spacer..... | | |
| 28 | 4 | | | | 9897-0820-16 | Schraube | Screw..... | | L = 20 mm |
| 29 | 6 | | | | 9747-0831-02 | Mutter..... | Lock nut..... | | |



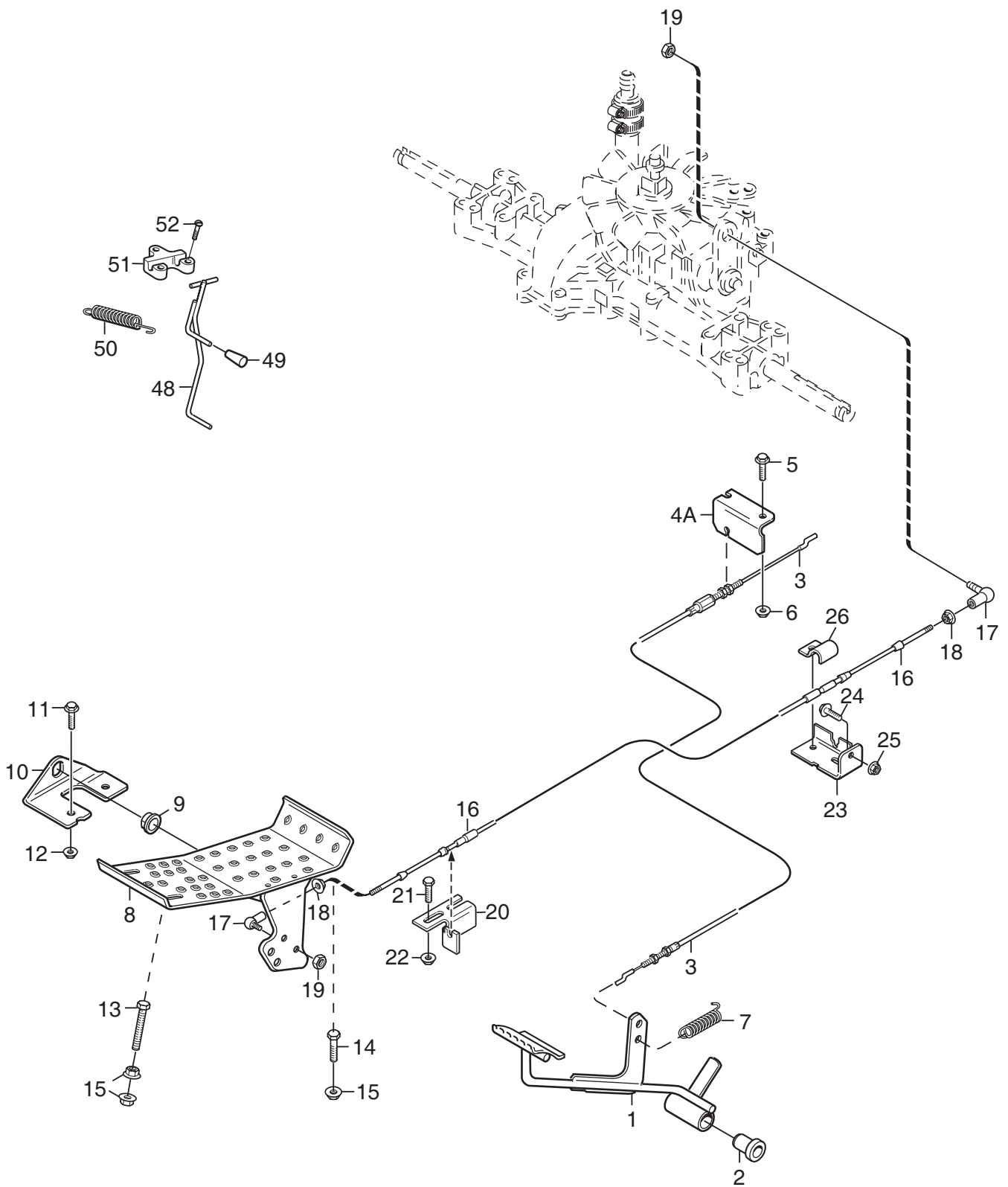
C144

| Ausgabe Issue 2008-31 | | Bild Nr Picture No C144 | | XK 140HD- XK160HD LENKUNG 2WD | | XK 140HD- XK 160HD STEERING 2WD | | Seite Page 88 | |
|-----------------------------|-----------------|-------------------------------|--|----------------------------------|--------------------------------------|------------------------------------|-------------|---------------------|--------------------|
| Pos. Fig. | Anzahl/Quantity | | | | Artikel Nr. Part No | Bezeichnung | Description | Satz Kit | Anmerkung Notes |
| | 6102 6103 | | | | | | | | |
| 1 | 1 | | | | 1134-6374-06 Kette | Chain..... | | 83 links | |
| 2 | 1 | | | | 1134-2817-01 Lenkseil- L | Steering cable- LH..... | | | |
| 3 | 1 | | | | 1134-2817-02 Lenkseil- R..... | Steering cable- RH | | | |
| 4 | 2 | | | | 1134-2824-02 Kettenschloß..... | Chain lock | | | |
| 5 | 2 | | | | 1134-3817-01 Druckfeder..... | Compression spring..... | | | |
| 6 | 2 | | | | 9699-0090-02 Scheibe..... | Flat washer..... | | | |
| 7 | 2 | | | | 9747-0831-02 Mutter..... | Lock nut | | | |
| 8 | 4 | | | | 1134-2816-01 Kettenrad | Sprocket..... | | | |
| 9 | 4 | | | | 1134-0041-02 Hülse | Idler wheel bush..... | | | |
| 10 | 4 | | | | 9699-0035-02 Scheibe..... | Flat washer..... | | | |
| 11 | 2 | | | | 9997-1050-16 Schraube | Screw | | | |
| 12 | 2 | | | | 9897-1040-12 Schraube | Screw | | | |
| 13 | 4 | | | | 9739-1031-22 Mutter | Nut | | | |
| X 14 | 3 | | | | 1134-0072-02 Seilrolle | Steering pulley | | | |
| 15 | 2 | | | | 1134-0041-01 Hülse | Bushing..... | | | |
| X 16 | 2 | | | | 1134-0046-00 Drahthalter..... | Wire clamp..... | | | |
| 17 | 2 | | | | 9997-1030-16 Schraube | Screw | | | |
| 18 | 2 | | | | 9739-1031-22 Mutter | Nut | | | |
| 19 | 1 | | | | 1134-5349-05 Lenkkonsole- grau | Steering console- grey | | | |
| 20 | 4 | | | | 9897-0820-16 Schraube | Screw | | | |
| 21 | 4 | | | | 9739-0831-22 Mutter | Nut | | | |
| 22 | 1 | | | | 1134-1305-05 Lenkrohr- untere | Steering column- lower | | | |
| 23 | 2 | | | | 1134-1901-01 Lager | Bearing..... | | | |
| 24 | 2 | | | | 9893-0616-16 Schraube | Screw | | | |
| 25 | 1 | | | | 1134-2821-03 Lenkstange | Steering rod | | | |
| 26 | 1 | | | | 1134-2837-01 Distanz..... | Spacer | | | |
| 27 | 1 | | | | 1134-5496-01 Lenkrad | Steering wheel | | | |

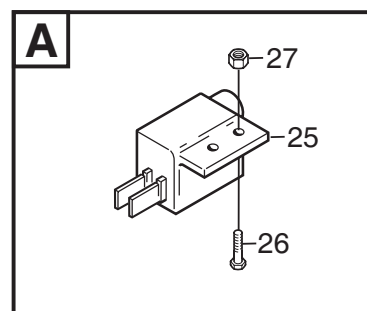
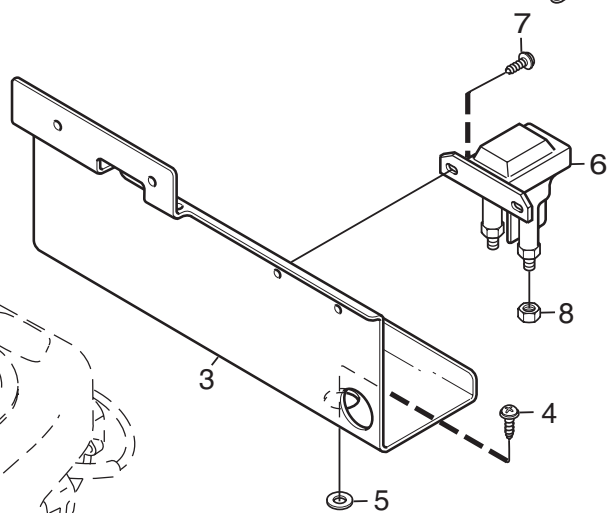
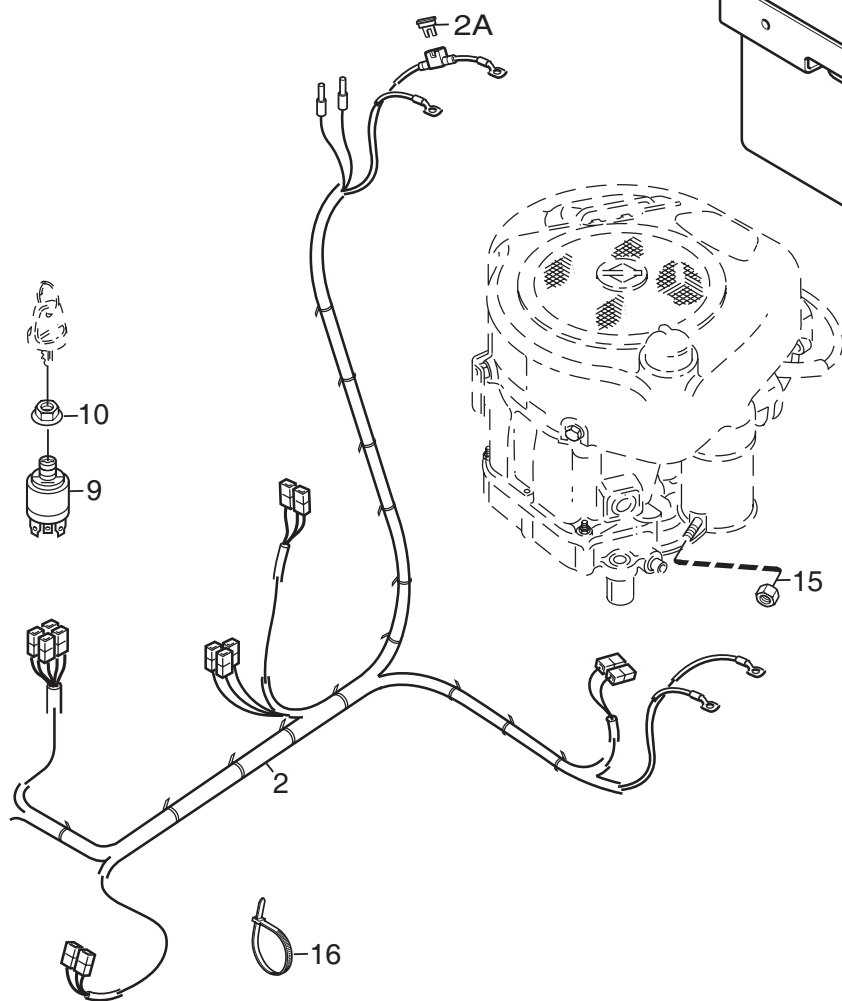
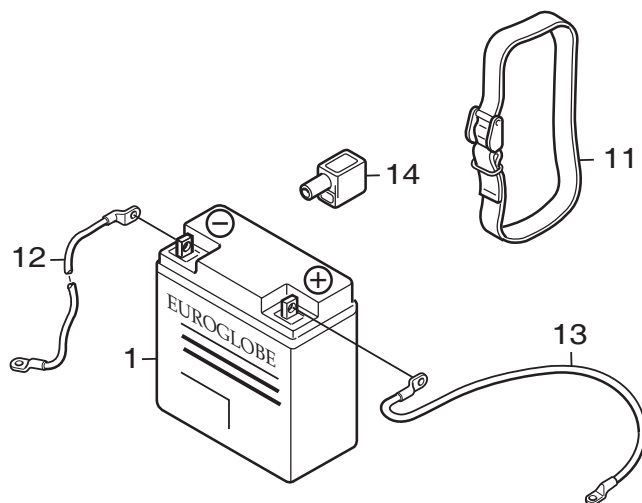
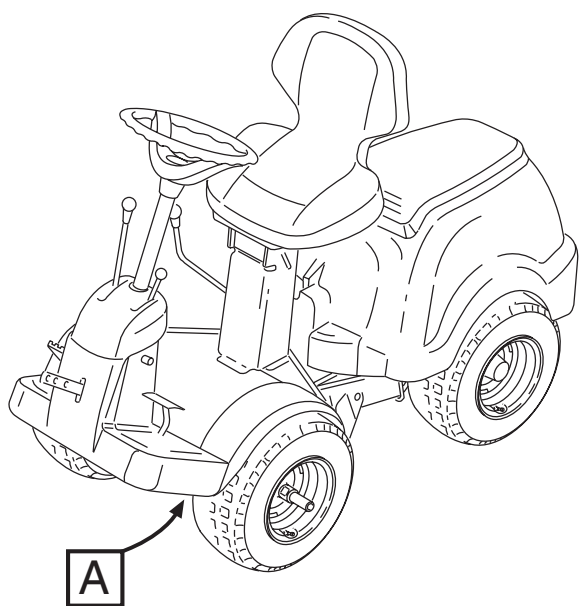


C146A

| Ausgabe Issue 2008-31 | | Bild Nr Picture No C146A | | XK 140HD- XK 160HD- XK4 160HD HANDREGULIERUNG | | XK 140HD- XK 160HD- XK4 160HD HAND CONTROLS | | Seite Page 92 | |
|-----------------------------|-----------------|--------------------------------|------|---|------------------------|---|------------------------|---------------------|--------------------|
| Pos. Fig. | Anzahl/Quantity | | | | Artikel Nr. Part No | Bezeichnung | Description | Satz Kit | Anmerkung Notes |
| | 6102 | 6103 | 6104 | | | | | | |
| 1 | 1 | | | | 1134-6301-01 | Einkupplungshebel | Engagement lever | | |
| 2 | 1 | | | | 1134-2551-01 | Knopf | Knob | | |
| 3 | 1 | | | | 1134-3790-02 | Lager | Bearing | | |
| 4 | 1 | | | | 9699-0090-02 | Scheibe | Flat washer | | |
| 5 | 1 | | | | 4231-0013-00 | Feder | Spring | | |
| 6 | 1 | | | | 1134-5368-01 | Panel | Dashboard | | |
| 7 | 1 | | | | 9400-0312-01 | Schalter | Micro switch | | |
| 8 | 4 | | | | 9946-0525-16 | Schraube | Screw | | |
| 9 | 1 | | | | 1134-3573-05 | Regulierdraht | Control cable | | |
| 20 | 1 | | | | 1134-5465-01 | Gasregulierung | Throttle lever | | |
| 21 | 1 | | | | 1134-4078-01 | Knopf | Knob | | |
| 22 | 1 | | | | 1134-5464-01 | Halterung | Bracket | | |
| 23 | 1 | | | | 1134-0240-00 | Ansatzbolzen | Shoulder screw | | |
| 24 | 2 | | | | 1134-4242-01 | Distanzscheibe | Spacer washer | | |
| 25 | 1 | | | | 9694-0001-00 | Scheibe | Washer | | |
| 26 | 1 | | | | 9747-0831-02 | Mutter | Lock nut | | |
| 27 | 1 | | | | 1134-4197-03 | Gasdraht | Throttle cable | | |
| 28 | 1 | | | | 9500-9991-00 | Drahtklemme | Cable clamp | | |
| 29 | 1 | | | | 9943-0516-16 | Schraube | Screw | | |

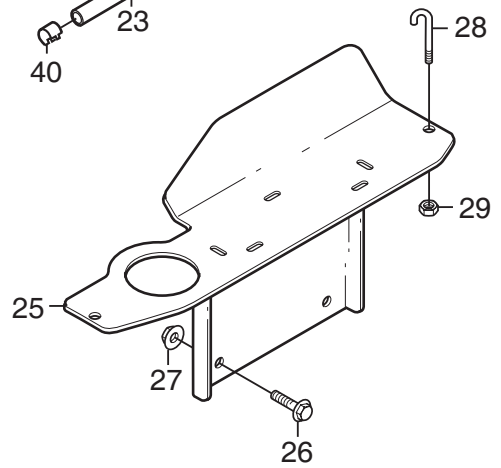
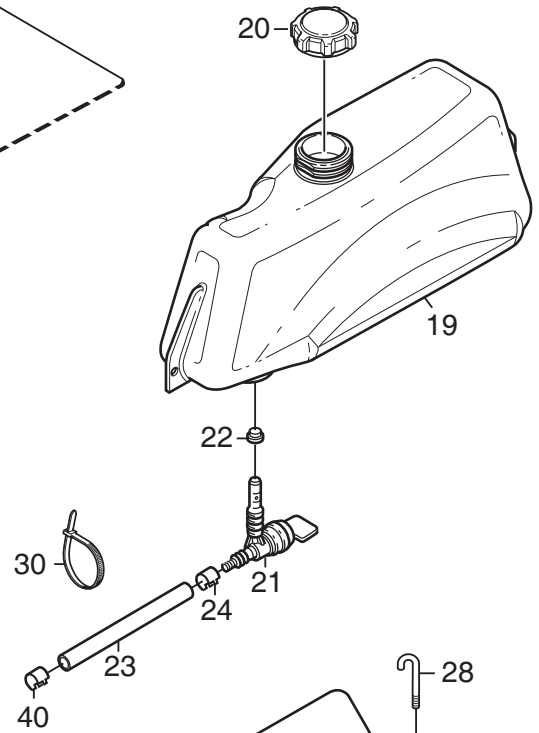
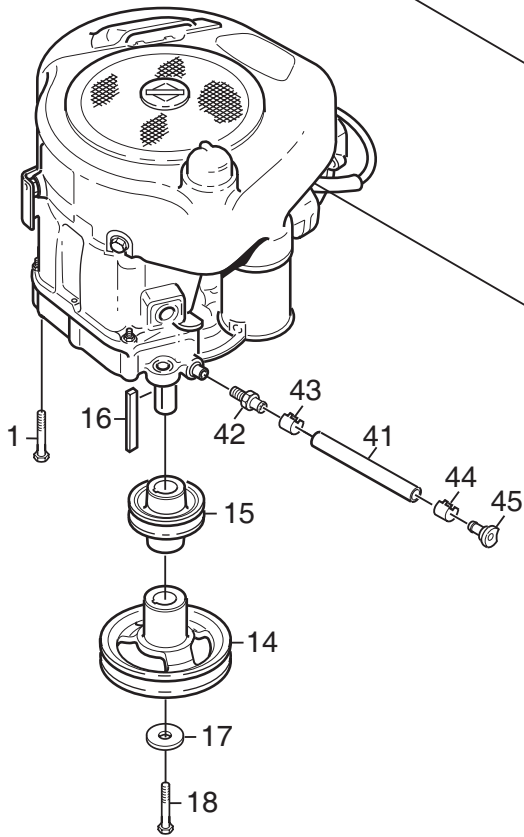
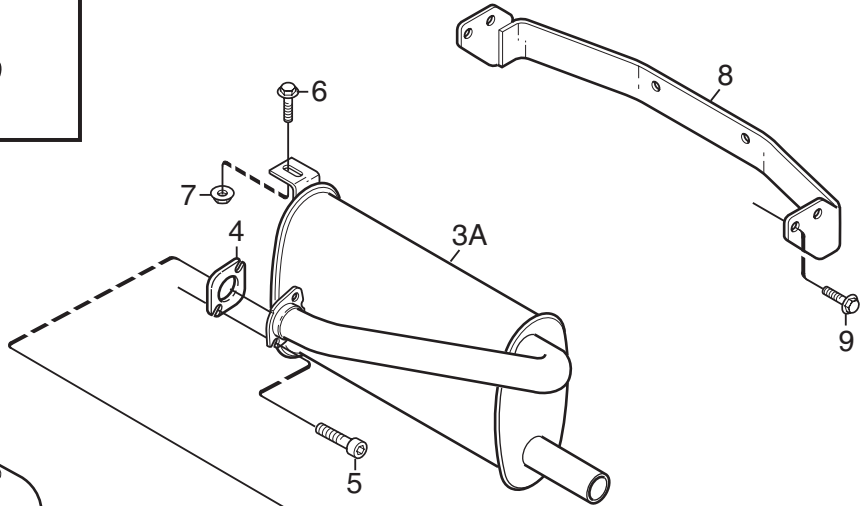
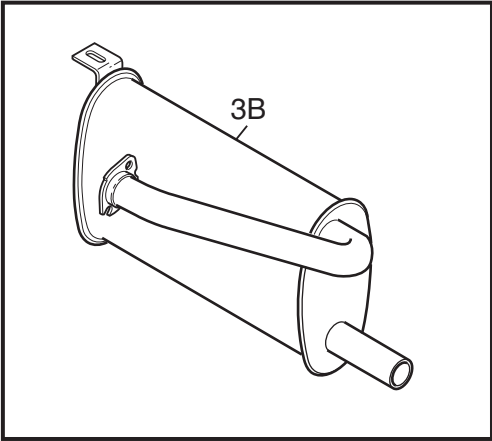


| Ausgabe Issue 2008-31 | | Bild Nr Picture No C148 | | XK 140HD- XK 160HD FUßBEDIENELEMENTE 2WD | | XK 140HD- XK 160HD FOOT CONTROLS 2WD | | Seite Page 94 | |
|-----------------------------|-----------------|-------------------------------|--|---|------------------------|---|---------------------------|---------------------|--------------------|
| Pos. Fig. | Anzahl/Quantity | | | | Artikel Nr. Part No | Bezeichnung | Description | Satz Kit | Anmerkung Notes |
| | 6102 6103 | | | | | | | | |
| X | 1 | 1 | | | 1134-4247-01 | Brems/Kupplungspedal | Brake/clutch pedal..... | | |
| | 2 | 2 | | | 1134-0068-00 | • Lager | • Bearing | | |
| | 3 | 1 | | | 1134-3584-03 | Brems/Kupplungsdraht..... | Brake/clutch cable | | |
| | 4A | 1 | | | 1134-6467-01 | Drahhalter..... | Cable holder | | |
| | 5 | 2 | | | 9959-0820-16 | Schraube | Screw | | |
| | 6 | 2 | | | 9739-0831-22 | Mutter | Nut | | |
| | 7 | 1 | | | 1134-3974-01 | Feder | Spring | | |
| | 8 | 1 | | | 1134-6353-01 | Fahrpedal..... | Drive pedal | | |
| | 9 | 2 | | | 1134-6313-01 | Lager | Bearing..... | | |
| | 10 | 2 | | | 1134-2700-01 | Halter..... | Bracket..... | | |
| | 11 | 2 | | | 9959-0820-16 | Schraube | Screw..... | | |
| | 12 | 2 | | | 9739-0831-22 | Mutter | Nut | | |
| | 13 | 1 | | | 9997-0870-16 | Schraube | Screw..... | | |
| | 14 | 1 | | | 9959-0820-16 | Schraube | Screw..... | | |
| | 15 | 3 | | | 9739-0831-22 | Mutter | Nut | | |
| | 16 | 1 | | | 1134-2766-05 | Fahrtregulierdraht..... | Speed control cable | | |
| | 17 | 2 | | | 9570-0001-00 | Winkelgelenk | Elbow link | | |
| | 18 | 2 | | | 9739-0531-22 | Mutter | Nut | | |
| | 19 | 2 | | | 9747-0531-02 | Mutter | Nut | | |
| | 20 | 1 | | | 1134-6317-01 | Drahhalter..... | Cable holder | | |
| | 21 | 2 | | | 9959-0620-16 | Schraube | Screw..... | | |
| | 22 | 2 | | | 9739-0631-22 | Mutter | Nut | | |
| | 23 | 1 | | | 1134-3395-01 | Halterung..... | Attachment..... | | |
| | 24 | 2 | | | 9959-0820-16 | Schraube | Screw..... | | |
| | 25 | 2 | | | 9739-0831-22 | Mutter | Nut | | |
| | 26 | 1 | | | 1134-2021-01 | Klemme | Clamp..... | | |
| | 48 | 1 | | | 1134-5353-01 | Bremsstange | Brake rod | | |
| | 49 | 1 | | | 1134-2786-01 | Plastikknopf..... | Plastic knob | | |
| | 50 | 1 | | | 1131-1497-01 | Feder | Spring | | |
| | 51 | 1 | | | 1134-4002-01 | Halterung..... | Brake rod attachment..... | | |
| | 52 | 3 | | | 9838-9516-12 | Schraube | Screw | | |



C150A

| Ausgabe Issue 2008-31 | | Bild Nr Picture No C150A | | XK 140HD- XK 160HD- XK4 160HD EL. AUSSTATTUNG | | XK 140HD- XK 160HD- XK4 160HD EL. EQUIPMENT | | Seite Page 98 | |
|-----------------------------|-----------------|--------------------------------|--|---|---------------------------|---|-------------|---------------------|--|
| Pos. Fig. | Anzahl/Quantity | | | Artikel Nr. Part No | Bezeichnung | Description | Satz Kit | Anmerkung Notes | |
| | 6102 6103 | 6104 | | | | | | | |
| 1 | 1 | 1 | | 1134-4804-01 | Batterie | Battery | | 20A | |
| 2 | 1 | 1 | | 1134-5769-01 | Kabelbündel | Harness | | | |
| 2A | 1 | 1 | | 1134-3496-06 | • Sicherung | • Fuse | | | |
| 3 | 1 | 1 | | 1134-5343-01 | Batteriekonsole | Battery bracket | | | |
| 4 | 3 | 3 | | 9852-8013-16 | Schraube | Screw | | | |
| 5 | 2 | 2 | | 9699-0060-02 | Scheibe | Flat washer | | | |
| 6 | 1 | 1 | | 1134-3901-01 | Magnetschalter | Solenoid | | | |
| 7 | 2 | 2 | | 9852-8013-16 | Schraube | Screw | | | |
| 8 | 2 | 2 | | 9794-5131-02 | Mutter | Nut | | | |
| 9 | 1 | 1 | | 1134-4093-01 | Zündschloß | Ignition switch | | | |
| 10 | 1 | 1 | | 1134-4749-01 | Mutter | Nut | | | |
| 11 | 1 | 1 | | 1134-5245-01 | Batterieriemen | Battery strap | | | |
| 12 | 1 | 1 | | 1134-2167-01 | Kabel | Cable | | | |
| 13 | 1 | 1 | | 1134-0234-02 | Batteriekabel (+) | Battery cable (+) | | | |
| 14 | 1 | 1 | | 1134-2310-01 | Schutzkappe | Guard cap | | | |
| 15 | 1 | 1 | | 9795-3531-02 | Mutter | Nut | | | |
| 16 | 15 | 15 | | 9579-0003-00 | Kabelhalter | Cable holder | | | |
| 25 | 1 | 1 | | 1134-3399-02 | Schalter | Switch | | | |
| 26 | | 2 | | 9943-0516-16 | Schraube | Screw | | | |
| 26 | 2 | | | 9997-0520-16 | Schraube | Screw | | | |
| 27 | 2 | | | 9747-0531-02 | Mutter | Nut | | | |

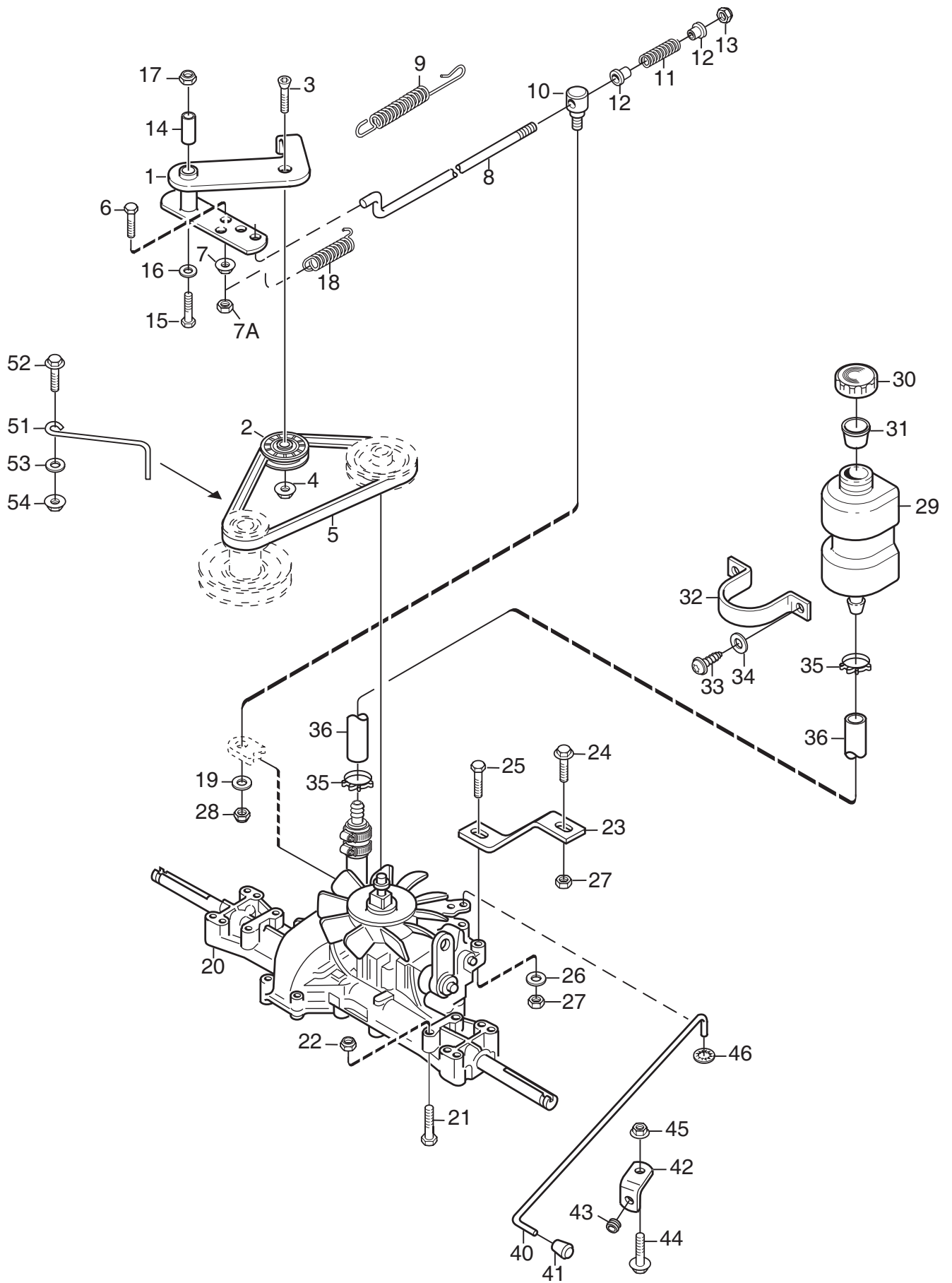


C151A

| Ausgabe Issue 2008-31 | | Bild Nr Picture No C151A | | XK 140HD- XK 160HD- XK4 160HD MOTOR | | XK 140HD- XK 160HD- XK4 160HD ENGINE | | Seite Page 100 | |
|-----------------------------|-----------------|--------------------------------|------|---|----------------------------|--|--------------------------|----------------------|--|
| Pos. Fig. | Anzahl/Quantity | | | Artikel Nr. Part No | Bezeichnung | Description | Satz Kit | Anmerkung Notes | |
| | 6102 | 6103 | 6104 | | | | | | |
| 1 | 4 | 4 | 4 | 9955-3725-16 | Schraube | Screw | | 3/8" UNC x 25 mm | |
| 3A | 1 | | | 1134-5370-01 | Schalldämpfer | Muffler | | | |
| 3B | | 1 | 1 | 1134-5369-01 | Schalldämpfer | Muffler | | | |
| 4 | 1 | 1 | 1 | 1134-0433-00 | Schalldämpferdichtung..... | Muffler gasket..... | | | |
| 5 | 2 | 2 | 2 | 1134-4930-01 | Schraube | Screw | | | |
| 6 | 1 | 1 | 1 | 9959-0820-16 | Schraube | Screw | | | |
| 7 | 1 | 1 | 1 | 9739-0831-22 | Mutter | Nut | | | |
| 8 | 1 | 1 | 1 | 1134-5390-01 | Anhängeralterung | Tow bar bracket..... | | | |
| 9 | 4 | 4 | 4 | 9945-0816-16 | Schraube | Screw | | | |
| 14 | 1 | 1 | 1 | 1134-6419-01 | Motorriemenscheibe..... | Engine pulley..... | | | |
| 15 | 1 | 1 | 1 | 1134-6137-01 | Motorriemenscheibe..... | Engine pulley..... | | | |
| 16 | 1 | 1 | 1 | 9600-0251-01 | Keil | Key | L = 2 1/2" | | |
| 17 | 1 | 1 | 1 | 1134-5017-01 | Scheibe..... | Washer | | | |
| 18 | 1 | 1 | 1 | 9987-5332-16 | Schraube | Screw | | | |
| 19 | 1 | 1 | 1 | 1134-6618-01 | Kraftstofftank..... | Fuel tank | | | |
| 20 | 1 | 1 | 1 | 1134-5532-01 | Tankdeckel..... | Fuel tank cap..... | | | |
| 21 | 1 | 1 | 1 | 1134-3224-01 | Benzinhahn | Fuel shut-off valve | | | |
| 22 | 1 | 1 | 1 | 1134-3225-01 | Gummibuchse | Grommet..... | | | |
| 23 | 1 | 1 | | 1134-2975-01 | Benzinschlauch..... | Fuel hose..... | L = 520 mm L = 350 mm | | |
| 23 | | | 1 | 1134-2975-07 | Benzinschlauch..... | Fuel hose..... | | | |
| 24 | 1 | 1 | 1 | 9578-0023-02 | Schlauchklemme | Hose clamp | | | |
| 25 | 1 | 1 | 1 | 1134-6627-01 | Tankkonsole..... | Fuel tank bracket | | | |
| 26 | 2 | 2 | 2 | 9959-0820-16 | Schraube | Screw | | | |
| 27 | 2 | 2 | 2 | 9739-0831-22 | Mutter | Nut | | | |
| 28 | 2 | 2 | 2 | 1134-5346-01 | Tankbügel | Fuel tank loop..... | | | |
| 29 | 2 | 2 | 2 | 9747-0631-02 | Mutter | Lock nut | | | |
| 30 | 1 | 1 | 1 | 9579-0003-00 | Kabelhalter..... | Cable holder | | | |
| 40 | 1 | 1 | 1 | 9578-0023-02 | Schlauchklemme | Hose clamp | | | |
| 41 | 1 | 1 | 1 | 1134-5827-01 | Ölablaß kpl..... | Oil drain assy | Pos 42 - 45 incl. | | |
| 42 | 1 | 1 | 1 | 1134-5825-01 | • Nippel | • Nipple..... | | | |
| 43 | 1 | 1 | 1 | 9578-0023-04 | • Schlauchklemme | • Hose clamp | | | |
| 44 | 1 | 1 | 1 | 1134-3499-02 | • Schlauchklemme | • Hose clamp | | | |
| 45 | 1 | 1 | 1 | 1134-5826-01 | • Propfen..... | • Plug..... | | | |

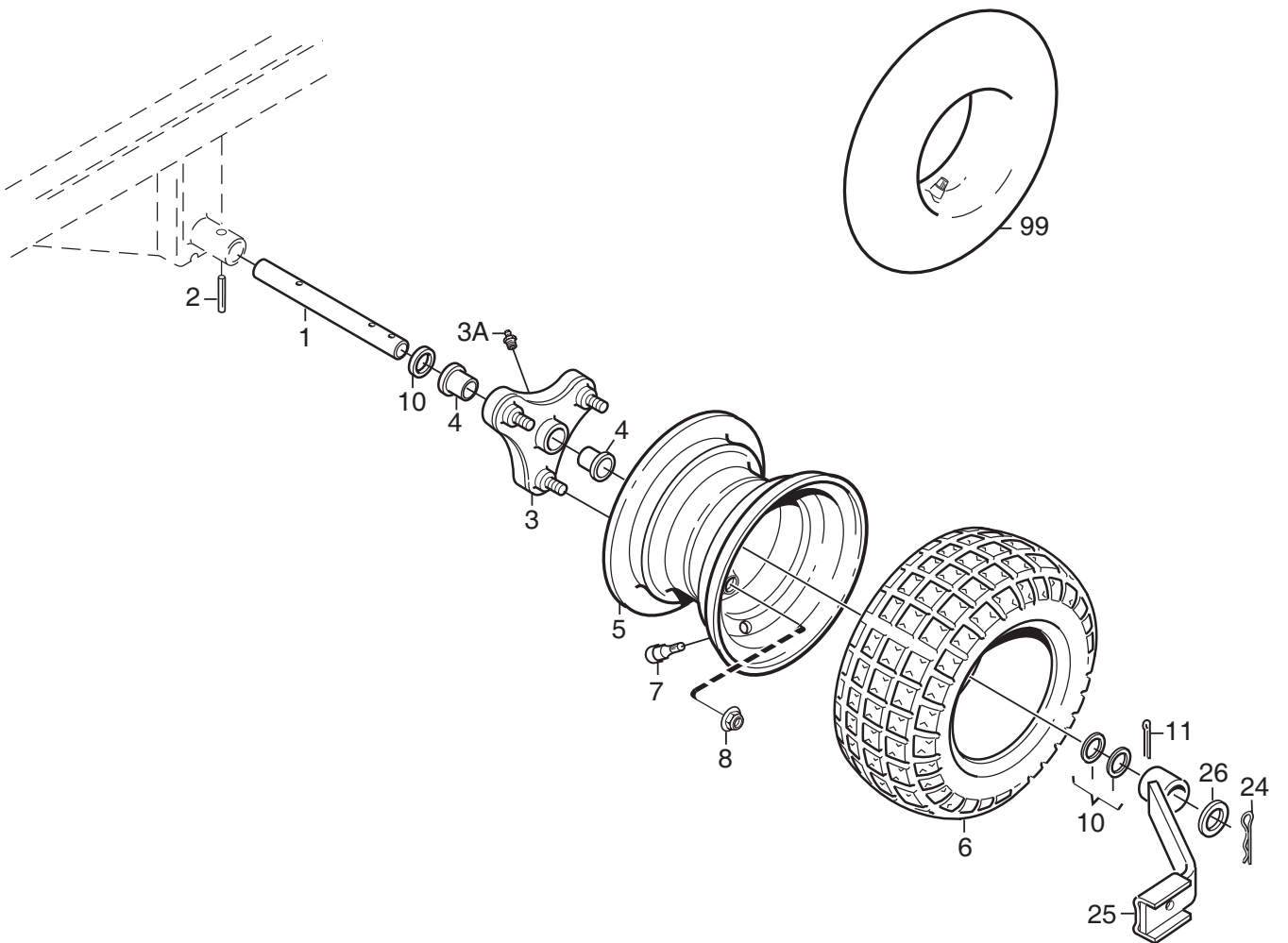
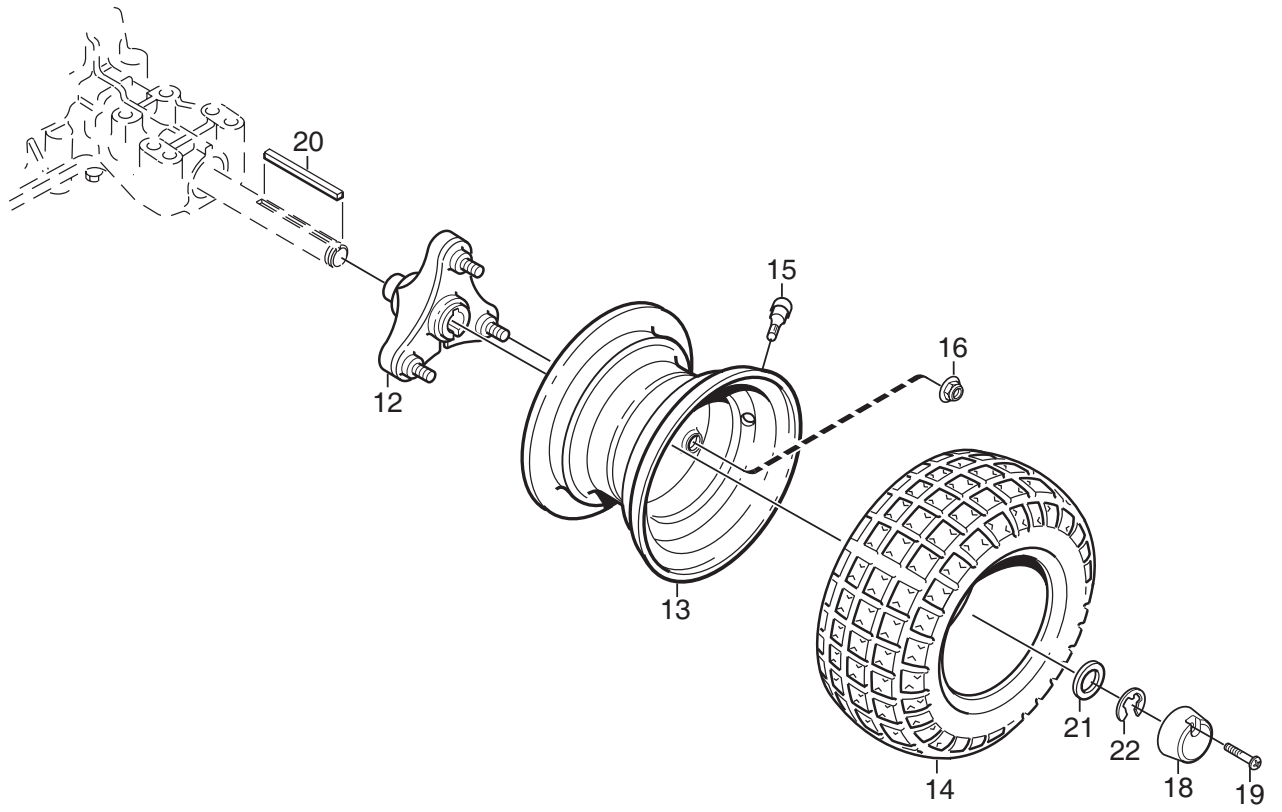
X

X

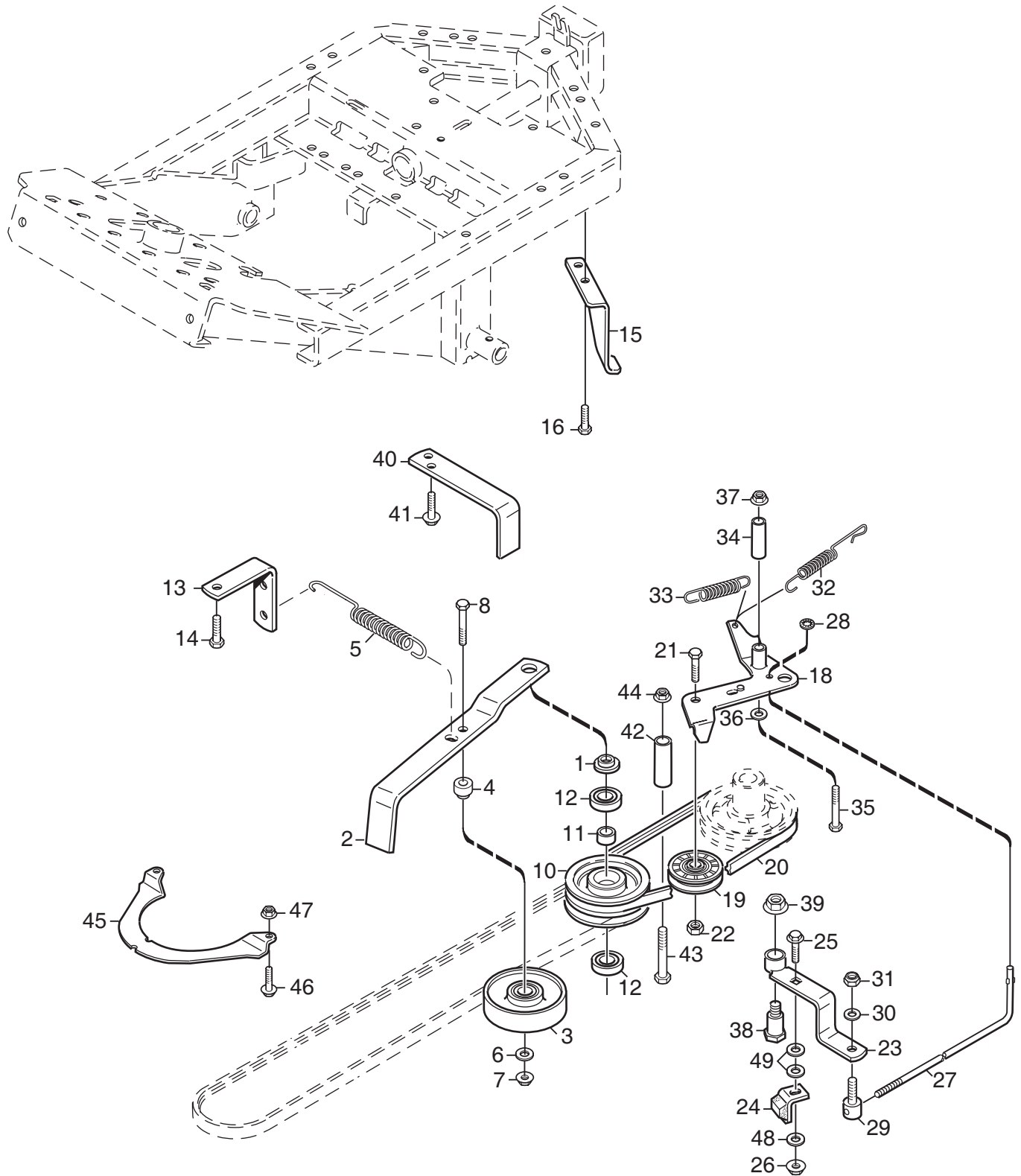


| Ausgabe Issue | | Bild Nr Picture No | | XK 140HD-XK 160HD TRANSMISSION 2WD | | XK 140HD-XK 160HD TRANSMISSION 2WD | | Seite Page | |
|------------------|-----------------|-----------------------|--|---------------------------------------|---|---------------------------------------|-------------|---------------|--------------------|
| 2008-31 | | C153 | | | | | | 102 | |
| Pos. Fig. | Anzahl/Quantity | | | | Artikel Nr. Part No | Bezeichnung | Description | Satz Kit | Anmerkung Notes |
| | 6102 | | | | | | | | |
| 1 | 1 | | | | 1134-4000-02 Spannarm | Tension arm | | | |
| 2 | 1 | | | | 1134-3459-01 Spannrolle | Tension roller | | | |
| 3 | 1 | | | | 9924-1035-16 Schraube | Screw | | | |
| 4 | 1 | | | | 9799-1031-02 Mutter | Nut | | | |
| 5 | 1 | | | | 9585-0091-01 Keilriemen | V- belt..... | | | |
| 6 | 1 | | | | 9997-0625-16 Schraube | Screw | | | |
| 7 | 1 | | | | 9739-0631-22 Mutter | Nut | | | |
| 7A | 1 | | | | 9747-0631-02 Mutter | Lock nut | | | |
| 8 | 1 | | | | 1134-3377-02 Regulierstange..... | Control rod..... | | | |
| 9 | 1 | | | | 4231-0013-00 Feder | Spring | | | |
| 10 | 1 | | | | 1134-4171-01 Gelenkzapfen | Pivot pin..... | | | |
| 11 | 1 | | | | 1134-4183-01 Druckfeder..... | Compression spring..... | | | |
| 12 | 2 | | | | 1134-3456-01 Buchse..... | Bushing..... | | | |
| 13 | 1 | | | | 9747-0631-02 Mutter | Lock nut | | | |
| 14 | 1 | | | | 1134-1565-08 Distanz..... | Spacer..... | | | |
| 15 | 1 | | | | 9997-0870-16 Schraube | Screw | | | |
| 16 | 1 | | | | 9699-0056-02 Scheibe..... | Flat washer..... | | | |
| 17 | 1 | | | | 9747-0831-02 Mutter..... | Lock nut..... | | | |
| 18 | 1 | | | | 1134-6414-01 Feder | Spring | | | |
| 19 | 1 | | | | 9699-0060-02 Scheibe..... | Flat washer..... | | | |
| 20 | 1 | | | | 1134-4848-01 Getriebe kpl | Transaxle assy..... | | Kanzaki K46G | |
| 21 | 4 | | | | 9960-0860-12 Schraube | Screw | | | |
| 22 | 4 | | | | 9747-0831-02 Mutter..... | Lock nut..... | | | |
| 23 | 1 | | | | 1134-3913-01 Strebe | Strut..... | | | |
| 24 | 1 | | | | 9959-0825-16 Schraube | Screw | | | |
| 25 | 1 | | | | 9997-0845-12 Schraube | Screw | | | |
| 26 | 1 | | | | 9699-0090-02 Scheibe..... | Flat washer..... | | | |
| 27 | 2 | | | | 9747-0831-02 Mutter..... | Lock nut..... | | | |
| 28 | 1 | | | | 9747-0631-02 Mutter | Lock nut..... | | | |
| 29 | 1 | | | | 1134-2765-02 Öltank | Oil tank..... | | | |
| 30 | 1 | | | | 1134-2777-02 Tankdeckel..... | Filler cap | | | |
| 31 | 1 | | | | 1134-3734-01 Entlüftungspropfen..... | Vent plug..... | | | |
| 32 | 1 | | | | 1134-2778-01 Band | Retainer strap | | | |
| 33 | 2 | | | | 9852-8013-16 Schraube | Screw | | | |
| 34 | 2 | | | | 9699-0099-02 Scheibe..... | Washer..... | | | |
| 35 | 2 | | | | 9578-0023-04 Schlauchklemme | Hose clamp | | | |
| 36 | 1 | | | | 1134-2779-07 Schlauch..... | Tube | | L = 140 mm | |
| 40 | 1 | | | | 1134-4015-01 Zugstange..... | Pull rod | | | |
| 41 | 1 | | | | 1134-4014-01 Plastikknopf..... | Plastic button..... | | | |
| 42 | 1 | | | | 1134-4713-01 Winkel | Bracket..... | | | |
| 43 | 1 | | | | 1134-2790-01 Gummihülse | Rubber grommet..... | | | |
| 44 | 1 | | | | 9959-0820-16 Schraube | Screw | | | |
| 45 | 1 | | | | 9739-0831-22 Mutter | Nut | | | |
| 46 | 1 | | | | 9675-0009-02 Verriegelungsscheibe | Starlock | | | |
| 51 | 1 | | | | 1134-3289-02 Riemenführung..... | Belt guide..... | | | |
| 52 | 1 | | | | 9959-0820-16 Schraube | Screw | | | |
| 53 | 1 | | | | 9699-0056-02 Scheibe..... | Flat washer..... | | | |
| 54 | 1 | | | | 9739-0831-22 Mutter | Nut..... | | | |

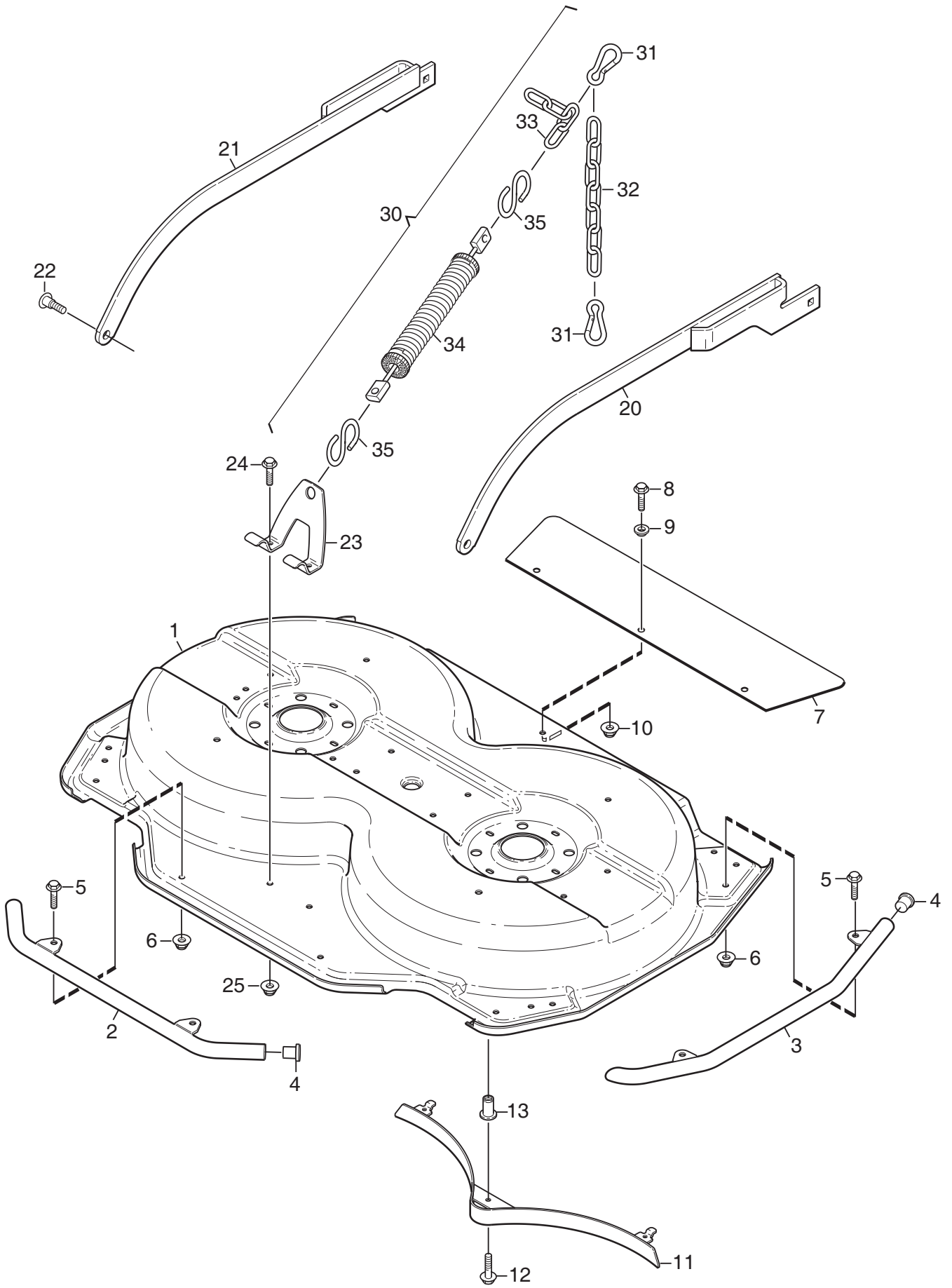
X



| Ausgabe Issue 2008-31 | | Bild Nr Picture No C156 | | XK 140HD- XK 160HD RÄDER 2WD | | XK 140HD- XK 160HD WHEELS 2WD | | Seite Page 108 | |
|-----------------------------|-----------------|-------------------------------|--|---------------------------------|----------------------|----------------------------------|-------------|----------------------|--|
| Pos. Fig. | Anzahl/Quantity | | | Artikel Nr. Part No | Bezeichnung | Description | Satz Kit | Anmerkung Notes | |
| | 6102 | 6103 | | | | | | | |
| 1 | 2 | 2 | | 1134-0075-01 | Vorderachse | Front axle | | | |
| 2 | 2 | 2 | | 9595-0258-00 | Spannstift | Locating pin | | | |
| 3 | 2 | 2 | | 1134-4844-05 | Radnabe Kpl | Wheel hub assy | | | |
| 3A | 1 | 1 | | 9501-0500-00 | • Schmiernippel..... | • Grease joint..... | | | |
| 4 | 2 | 2 | | 1134-1319-01 | • Lagerbuchse..... | • Bearing bush..... | | | |
| 5 | | 2 | | 1134-4558-01 | Felge..... | Rim | | | |
| 5 | 2 | | | 1134-5255-01 | Felge..... | Rim | | | |
| 6 | | 2 | | 9545-0116-00 | Reifen | Tyre | | 16 x 7.50 - 8 | |
| 6 | 2 | | | 9545-0126-01 | Reifen | Tyre | | 16 x 6.00 - 8 | |
| 7 | 2 | 2 | | 9545-0500-00 | Ventil | Valve | | | |
| 8 | 6 | 6 | | 9731-1031-22 | Mutter..... | Nut | | | |
| 10 | 8 | 8 | | 1134-0341-01 | Scheibe..... | Washer..... | | | |
| 11 | 2 | 2 | | 9599-0080-02 | Splint..... | Cotter pin | | | |
| 12 | 2 | 2 | | 1134-4844-02 | Radnabe | Wheel hub | | | |
| 13 | | 2 | | 1134-4558-01 | Felge..... | Rim | | | |
| 13 | 2 | | | 1134-5255-01 | Felge..... | Rim | | | |
| 14 | | 2 | | 9545-0116-00 | Reifen | Tyre | | 16 x 7.50 - 8 | |
| 14 | 2 | | | 9545-0126-01 | Reifen | Tyre | | 16 x 6.00 - 8 | |
| 15 | 2 | 2 | | 9545-0500-00 | Ventil | Valve | | | |
| 16 | 6 | 6 | | 9731-1031-22 | Mutter..... | Nut | | | |
| 18 | 2 | 2 | | 1134-4796-01 | Nabenkapsel..... | Hub cap..... | | | |
| 19 | 2 | 2 | | 9947-0540-19 | Schraube | Screw..... | | | |
| 20 | 2 | 2 | | 1134-2471-01 | Keil | Key | | L = 58 mm | |
| 21 | 2 | 2 | | 9699-0042-02 | Scheibe..... | Flat washer..... | | | |
| 22 | 2 | 2 | | 9653-0001-04 | Schließring | Lock ring | | | |
| 24 | 2 | 2 | | 9598-0003-02 | Schließnadel | Spring pin | | | |
| 25 | 2 | 2 | | 1134-3710-01 | Geräthalter..... | Tool attachment | | | |
| 26 | 2 | 2 | | 9699-0042-02 | Scheibe..... | Flat washer..... | | | |
| 99 | | | | 9545-0203-00 | Innenschlauch | Inner tube | | Only as spare part | |

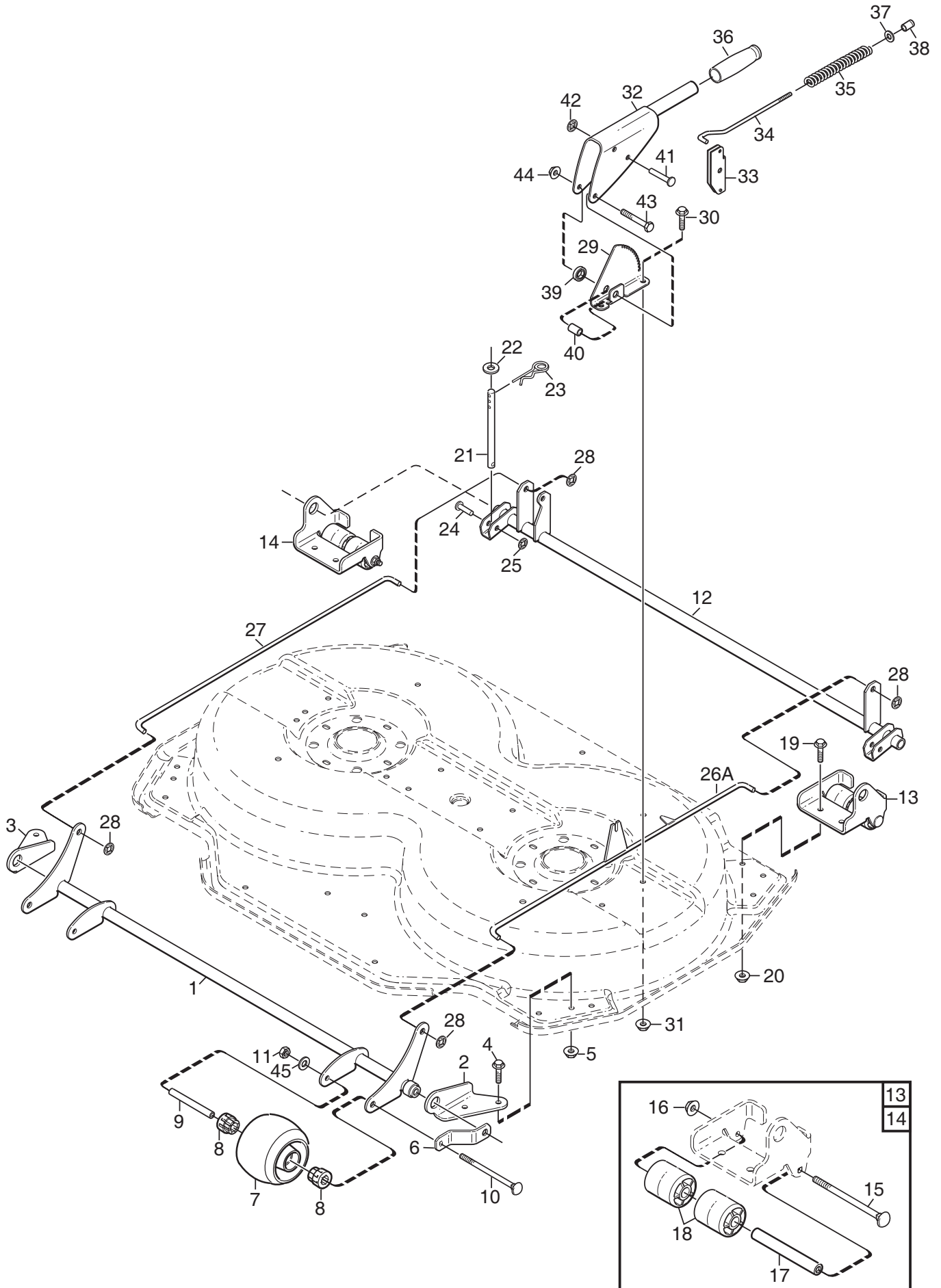


| Ausgabe Issue 2008-31 | | Bild Nr Picture No C158 | | XK 140HD- XK 160HD NEBENANTRIEB 2WD | | XK 140HD- XK 160HD POWER TAKE- OFF 2WD | | Seite Page 112 | |
|-----------------------------|-----------------|-------------------------------|--|--|------------------------|---|---------------------------|----------------------|--------------------|
| Pos. Fig. | Anzahl/Quantity | | | | Artikel Nr. Part No | Bezeichnung | Description | Satz Kit | Anmerkung Notes |
| | 6102 | | | | | | | | |
| 1 | 1 | | | | 1134-5548-01 | Distanz..... | Spacer..... | | |
| 2 | 1 | | | | 1134-5109-01 | Spannradarm..... | Tension wheel arm..... | | |
| 3 | 1 | | | | 1134-1770-01 | Spannrolle..... | Tension roller..... | | |
| 4 | 1 | | | | 1134-1888-04 | Distanz..... | Spacer..... | | |
| 5 | 1 | | | | 1134-5111-01 | Feder..... | Spring..... | | |
| 6 | 1 | | | | 9699-0056-02 | Scheibe..... | Flat washer..... | | |
| 7 | 1 | | | | 9739-0831-22 | Mutter..... | Nut..... | | |
| 8 | 1 | | | | 9997-0855-12 | Schraube..... | Screw..... | | |
| 10 | 1 | | | | 1134-1769-03 | Riemenscheibe Kpl..... | Centre pulley assy..... | | |
| 11 | 1 | | | | 1134-0051-09 | • Distanz..... | • Spacer..... | | |
| 12 | 2 | | | | 9549-0019-00 | • Kugellager..... | • Ball bearing..... | | |
| 13 | 1 | | | | 1134-5112-01 | Federhalterung..... | Spring attachment..... | | |
| 14 | 2 | | | | 9945-0816-16 | Schraube..... | Screw..... | | |
| 15 | 1 | | | | 1134-5110-01 | Haken..... | Hook..... | | |
| 16 | 2 | | | | 9893-0616-16 | Schraube..... | Screw..... | | |
| 18 | 1 | | | | 1134-2018-02 | Spannarm..... | Tension arm..... | | |
| 19 | 1 | | | | 1134-2989-02 | Spannrolle- grau..... | Tension roller- grey..... | | |
| 20 | 1 | | | | 9585-0129-01 | Keilriemen..... | V- belt..... | | |
| 21 | 1 | | | | 9997-1030-16 | Schraube..... | Screw..... | | |
| 22 | 1 | | | | 9799-1031-02 | Mutter..... | Nut..... | | |
| 23 | 1 | | | | 1134-4111-01 | Bremsarm..... | Brake arm..... | | |
| 24 | 1 | | | | 1134-4164-03 | Bremsklotz..... | Brake pad..... | | |
| 25 | 1 | | | | 9897-0825-16 | Schraube..... | Screw..... | | |
| 26 | 1 | | | | 9747-0831-02 | Mutter..... | Lock nut..... | | |
| 27 | 1 | | | | 1134-4162-01 | Bremsstange..... | Brake rod..... | | |
| 28 | 1 | | | | 9675-0008-02 | Verriegelungsscheibe..... | Locking washer..... | | |
| 29 | 1 | | | | 1134-4170-01 | Nippel..... | Nipple..... | | |
| 30 | 1 | | | | 9699-0025-02 | Scheibe..... | Washer..... | | |
| 31 | 1 | | | | 9747-0631-02 | Mutter..... | Lock nut..... | | |
| 32 | 1 | | | | 4231-0013-00 | Feder..... | Spring..... | | |
| 33 | 1 | | | | 1134-4231-01 | Zugfeder..... | Spring..... | | |
| 34 | 1 | | | | 1134-1565-10 | Distanz..... | Spacer..... | | |
| 35 | 1 | | | | 9997-0860-16 | Schraube..... | Screw..... | | |
| 36 | 1 | | | | 9699-0056-02 | Scheibe..... | Flat washer..... | | |
| 37 | 1 | | | | 9739-0831-22 | Mutter..... | Nut..... | | |
| 38 | 1 | | | | 1134-4163-01 | Ansatzschraube..... | Shoulder bolt..... | | |
| 39 | 1 | | | | 9731-1031-22 | Mutter..... | Nut..... | | |
| 40 | 1 | | | | 1134-3958-01 | Riemenführung..... | Belt guide..... | | |
| 41 | 2 | | | | 9893-0616-16 | Schraube..... | Screw..... | | |
| 42 | 1 | | | | 1134-0041-03 | Hülse..... | Collar..... | | |
| 43 | 1 | | | | 9997-1070-12 | Schraube..... | Screw..... | | |
| 44 | 1 | | | | 9739-1031-22 | Mutter..... | Nut..... | | |
| 45 | 1 | | | | 1134-3654-01 | Fingerschutz..... | Finger guard..... | | |
| 46 | 2 | | | | 9959-0612-16 | Schraube..... | Screw..... | | |
| 47 | 2 | | | | 9739-0631-22 | Mutter..... | Nut..... | | |
| 48 | 1 | | | | 9699-0090-02 | Scheibe..... | Flat washer..... | | |
| 49 | 2 | | | | 9699-0035-02 | Scheibe..... | Flat washer..... | | |



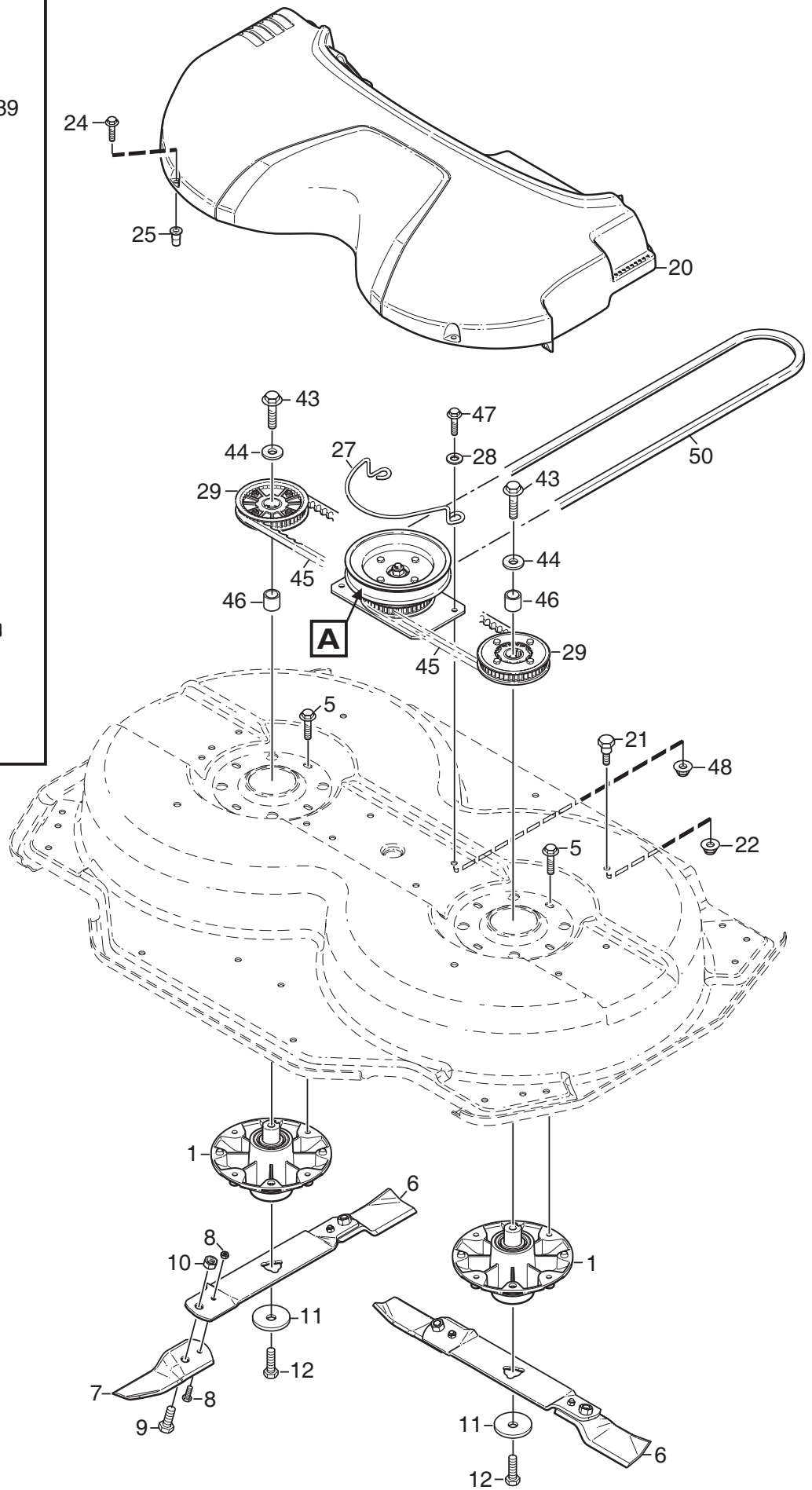
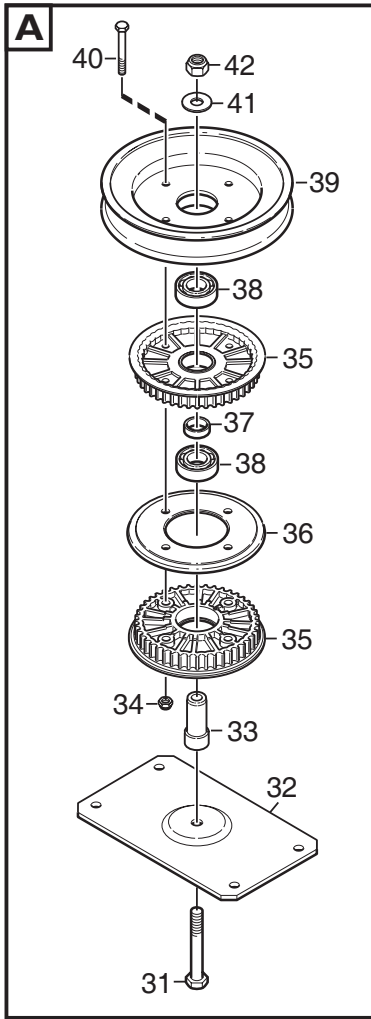
| Ausgabe Issue 2008-31 | | Bild Nr Picture No C130 | | XK MÄHWERK 105C RAHMEN | | XK MOWER DECK 105C FRAME | | Seite Page 124 | | |
|-----------------------------|-----------------|-------------------------------|--|------------------------------|------------------------|--------------------------------|------------------------------|----------------------|--------------------|--------------------|
| Pos. Fig. | Anzahl/Quantity | | | | Artikel Nr. Part No | Bezeichnung | Description | Satz Kit | Anmerkung Notes | |
| | 2972 | | | | | | | | | |
| 1 | 1 | | | | 1134-6191-03 | Haube- rot..... | Casing- red..... | | Pos 13 incl. | |
| 2 | 1 | | | | 1134-6208-02 | Frontschutz- schwarz..... | Front guard tube- bl. | | | |
| 3 | 2 | | | | 1134-6223-02 | Seitenschutz- schwarz | Side guard tube- black | | | |
| 4 | 4 | | | | 9403-0025-70 | Propfen- schwarz..... | End cap- black..... | | | |
| 5 | 6 | | | | 9959-0816-16 | Schraube | Screw | | | |
| 6 | 6 | | | | 9739-0831-22 | Mutter | Nut | | | |
| 7 | 1 | | | | 1134-6281-03 | Gummischutz | Rubber guard | | | |
| 8 | 3 | | | | 9959-0816-16 | Schraube | Screw | | | |
| 9 | 3 | | | | 1134-4185-01 | Flanschscheibe | Flange washer | | | |
| 10 | 3 | | | | 9739-0831-22 | Mutter | Nut | | | |
| 11 | 1 | | | | 1134-6231-01 | Mulchpropfen | Mulching plug | | | |
| 12 | 1 | | | | 9959-0816-16 | Schraube | Screw | | | |
| 13 | 1 | | | | 1134-5595-01 | • Nietmutter..... | • Riveting nut..... | | | |
| 20 | 1 | | | | 1134-6237-07 | Mähwerkarm- L, schw | Deck arm- LH, black..... | | | |
| 21 | 1 | | | | 1134-6237-08 | Mähwerkarm- R, schw..... | Deck arm- RH, black | | | |
| 22 | 2 | | | | 1134-6279-01 | Schulter-schraube..... | Shoulder bolt | | | |
| 23 | 1 | | | | 1134-6315-02 | Hebehalter- schw | Lift bracket- black..... | | | |
| 24 | 2 | | | | 9959-0816-16 | Schraube | Screw | | | |
| 25 | 2 | | | | 9739-0831-22 | Mutter | Nut | | | |
| 30 | 1 | | | | 1134-6362-01 | Hebefeder kpl | Lift spring assy | | | |
| 31 | 2 | | | | 1134-5528-01 | • Karabinerhaken..... | • Snap hook..... | | | |
| 32 | 1 | | | | 1134-6368-02 | • Kette | • Chain | | | |
| 33 | 1 | | | | 1134-6368-01 | • Kette | • Chain | | | |
| 34 | 1 | | | | 1134-6365-03 | • Hebefeder | • Lift spring..... | | | |
| 35 | 2 | | | | 1134-4623-01 | • S- Haken | • S- hook..... | | | |
| 99 | 1 | | | | 8211-7080-81 | Bedienungsanleitung | Owner's manual | | | |
| | | | | | | | | | | Pos 31 - 35 incl. |
| | | | | | | | | | | 7 links 4 links |
| | | | | | | | | | | Not ill. |

X



C131

| Ausgabe Issue 2008-31 | | Bild Nr Picture No C131 | | XK MÄHWERK 105C REGULIERUNGEN | | XK MOWER DECK 105C CONTROLS | | Seite Page 126 | |
|-----------------------------|-----------------|-------------------------------|--|-------------------------------------|------------------------|-----------------------------------|-----------------------------|----------------------|--------------------|
| Pos. Fig. | Anzahl/Quantity | | | | Artikel Nr. Part No | Bezeichnung | Description | Satz Kit | Anmerkung Notes |
| | 2972 | | | | | | | | |
| 1 | 1 | | | | 1134-6275-02 | Vorderachse- schwarz | Front axle- black..... | | |
| 2 | 1 | | | | 1134-6215-03 | Halter- L, schwarz..... | Bracket fr- LH, black..... | | |
| 3 | 1 | | | | 1134-6215-04 | Halter- R, schwarz | Bracket fr- RH, black | | |
| 4 | 4 | | | | 9959-0816-16 | Schraube | Screw..... | | |
| 5 | 4 | | | | 9739-0831-22 | Mutter | Nut | | |
| 6 | 2 | | | | 1134-6278-02 | Leitblech- schwarz..... | Guide- black | | |
| 7 | 2 | | | | 1134-4284-01 | Rad | Wheel..... | | |
| 8 | 4 | | | | 1134-4319-01 | Lager | Bearing..... | | |
| 9 | 2 | | | | 1134-4318-01 | Radachse..... | Wheel axle..... | | |
| 10 | 2 | | | | 9897-0813-02 | Schraube | Screw..... | | |
| 11 | 2 | | | | 9747-0831-02 | Mutter..... | Lock nut..... | | |
| 12 | 1 | | | | 1134-6197-02 | Hinterachse- schwarz | Rear axle- black..... | | |
| 13 | 1 | | | | 1134-6282-01 | Rollen- L, m.Halter..... | Roller- LH, w/bracket | | Pos 15 - 18 incl. |
| 14 | 1 | | | | 1134-6282-02 | Rollen- R, m.Halter | Roller- RH, w/bracket..... | | Pos 15 - 18 incl. |
| 15 | 1 | | | | 9897-0813-02 | • Schraube | • Screw | | |
| 16 | 1 | | | | 9739-0831-22 | • Mutter | • Nut | | |
| 17 | 1 | | | | 1134-4318-01 | • Radachse..... | • Wheel axle..... | | |
| 18 | 2 | | | | 1134-6206-01 | • Rollen | • Roller | | |
| 19 | 4 | | | | 9959-0816-16 | Schraube | Screw..... | | |
| 20 | 4 | | | | 9739-0831-22 | Mutter | Nut | | |
| 21 | 2 | | | | 1134-6198-01 | Stange | Stud | | |
| 22 | 2 | | | | 9699-0104-02 | Scheibe..... | Washer..... | | |
| 23 | 2 | | | | 9598-2001-02 | Schließnadel | Spring pin | | |
| 24 | 2 | | | | 9646-0098-22 | Niet..... | Rivet..... | | |
| 25 | 2 | | | | 9675-0012-02 | Verriegelungsscheibe | Locking washer..... | | |
| 26 A | 1 | | | | 1134-6249-01 | Druckstange- L | Push rod- LH..... | | |
| 27 | 1 | | | | 1134-6246-01 | Druckstange- R..... | Push rod- RH | | |
| 28 | 4 | | | | 9675-0015-02 | Verriegelungsscheibe | Lock washer..... | | |
| 29 | 1 | | | | 1134-6255-01 | Höhenverstellsektor..... | Height adj. quadrant..... | | |
| 30 | 2 | | | | 9959-0816-16 | Schraube | Screw..... | | |
| 31 | 2 | | | | 9739-0831-22 | Mutter | Nut | | |
| 32 | 1 | | | | 1134-6244-02 | Höhenverst.hebel- schw | Height adj.lever- bl. | | |
| 33 | 1 | | | | 1134-6254-01 | Sperre..... | Catch..... | | |
| 34 | 1 | | | | 1134-5444-01 | Druckstange | Push rod | | |
| 35 | 1 | | | | 1134-5445-01 | Feder | Spring | | |
| 36 | 1 | | | | 1134-5503-01 | Griff | Handle..... | | |
| 37 | 1 | | | | 9699-0087-02 | Scheibe..... | Flat washer..... | | |
| 38 | 1 | | | | 1134-3051-01 | Sperrknopf..... | Locking knob | | |
| 39 | 1 | | | | 1134-6286-03 | Distanz..... | Spacer..... | | |
| 40 | 1 | | | | 1134-1565-16 | Distanz..... | Spacer..... | | |
| 41 | 2 | | | | 9646-0105-22 | Niet..... | Rivet..... | | |
| 42 | 2 | | | | 9672-0006-02 | Verriegelungsscheibe | Lock washer | | |
| 43 | 1 | | | | 9997-0850-16 | Schraube | Screw..... | | |
| 44 | 1 | | | | 9747-0831-02 | Mutter..... | Lock nut..... | | |
| 45 | 2 | | | | 9699-0028-02 | Scheibe..... | Flat washer..... | | |



| Ausgabe Issue 2008-31 | | Bild Nr Picture No C132 | | XK MÄHWERK 105C TRANSMISSION | | XK MOWER DECK 105C TRANSMISSION | | Seite Page 128 | |
|-----------------------------|--------------------|-------------------------------|--|------------------------------------|-------------------------|---------------------------------------|-------------|----------------------|--|
| Pos. Fig. | Anzahl/Quantity | | | Artikel Nr. Part No | Bezeichnung | Description | Satz Kit | Anmerkung Notes | |
| | 2972 -42 -82 | 2972 -52 -72 | | | | | | | |
| 1 | 2 | 2 | | 1134-5831-01 | Lagerbuchse kpl | Bearing box assy..... | | | |
| 5 | 8 | 8 | | 9945-0825-16 | Schraube | Screw | | | |
| 6 | 2 | 2 | | 1134-6240-03 | Messer kpl..... | Blade bar assy..... | | Pos 7 incl. | |
| 7 | 1 | 1 | | 1134-9119-01 | • Messersatz | • Blade kit | | Pos 8 - 10 incl. | |
| 8 | 1 | 1 | | 1134-9054-01 | •• Scherbolzensatz..... | •• Shear bolt kit..... | | | |
| 9 | 2 | 2 | | 1134-6311-01 | •• Bolt | •• Bolt..... | | 7/16" UNF | |
| 10 | 2 | 2 | | 1134-6312-01 | •• Schloßmutter | •• Lock nut | | 7/16" UNF | |
| 11 | 2 | 2 | | 1134-6211-01 | Messerscheibe..... | Blade washer..... | | | |
| 12 | 2 | 2 | | 9997-1060-12 | Schraube | Screw..... | | | |
| 20 | 1 | 1 | | 1134-6280-03 | Deckel- grau..... | Transm.cover- grey | | | |
| 21 | 2 | 2 | | 1134-0240-01 | Schulter-schraube..... | Shoulder screw | | | |
| 22 | 2 | 2 | | 9739-0831-22 | Mutter | Nut | | | |
| 24 | 2 | 2 | | 9945-0825-16 | Schraube | Screw | | | |
| 25 | 2 | 2 | | 1134-5595-01 | Nietmutter | Riveting nut..... | | | |
| 27 | 1 | 1 | | 1134-6431-01 | Riemenführung..... | Belt guide | | | |
| 28 | 2 | 2 | | 9699-0090-02 | Scheibe..... | Flat washer..... | | | |
| 29 | 2 | 2 | | 1134-6287-01 | Zahnriemenscheibe | Toothed belt pulley | | | |
| 31 | 1 | 1 | | 9997-1065-12 | Schraube | Screw | | | |
| 32 | 1 | 1 | | 1134-6209-01 | Halterung..... | Bracket | | | |
| 33 | 1 | 1 | | 1134-6205-01 | Achse..... | Shaft | | | |
| 34 | 4 | 4 | | 9747-0631-02 | Mutter | Lock nut | | | |
| 35 | 2 | 2 | | 1134-6186-01 | Zahnriemenscheibe | Toothed belt pulley | | | |
| 36 | 1 | 1 | | 1134-6188-01 | Distanzplatte..... | Spacer plate | | | |
| 37 | 1 | 1 | | 1134-3725-05 | Distanz..... | Spacer..... | | | |
| 38 | 2 | 2 | | 9549-0019-00 | Kugellager | Ball bearing | | | |
| 39 | 1 | 1 | | 1134-6204-01 | Riemenscheibe | Belt pulley | | Ø = 168 mm | |
| 40 | 4 | 4 | | 9997-0650-12 | Schraube | Screw | | | |
| 41 | 1 | 1 | | 9699-0030-02 | Scheibe..... | Flat washer..... | | | |
| 42 | 1 | 1 | | 9747-1031-02 | Mutter | Lock nut | | | |
| 43 | 2 | 2 | | 9997-1060-12 | Schraube | Screw | | | |
| 44 | 2 | 2 | | 1134-5406-01 | Scheibe..... | Washer..... | | | |
| 45 | 2 | 2 | | 9585-0165-01 | Zahnriemen | Toothed belt | | | |
| 46 | 2 | 2 | | 1134-5400-04 | Distanz..... | Spacer..... | | | |
| 47 | 4 | 4 | | 9959-0820-16 | Schraube | Screw | | | |
| 48 | 4 | 4 | | 9739-0831-22 | Mutter | Nut | | | |
| 50 | 1 | | | 9585-0170-01 | Keilriemen | V- belt..... | | | |
| 50 | | 1 | | 9585-0172-01 | Keilriemen | V- belt..... | | | |