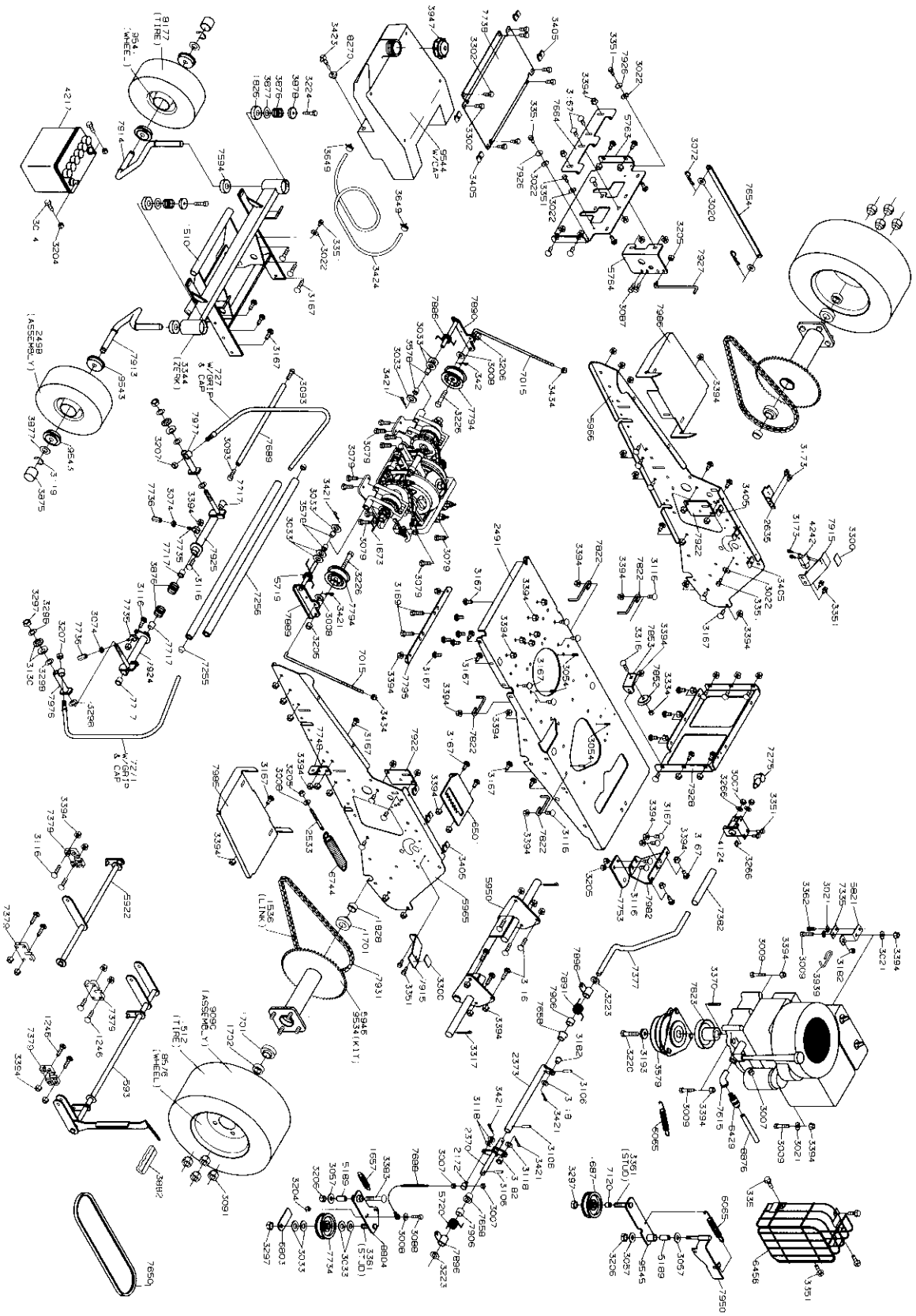


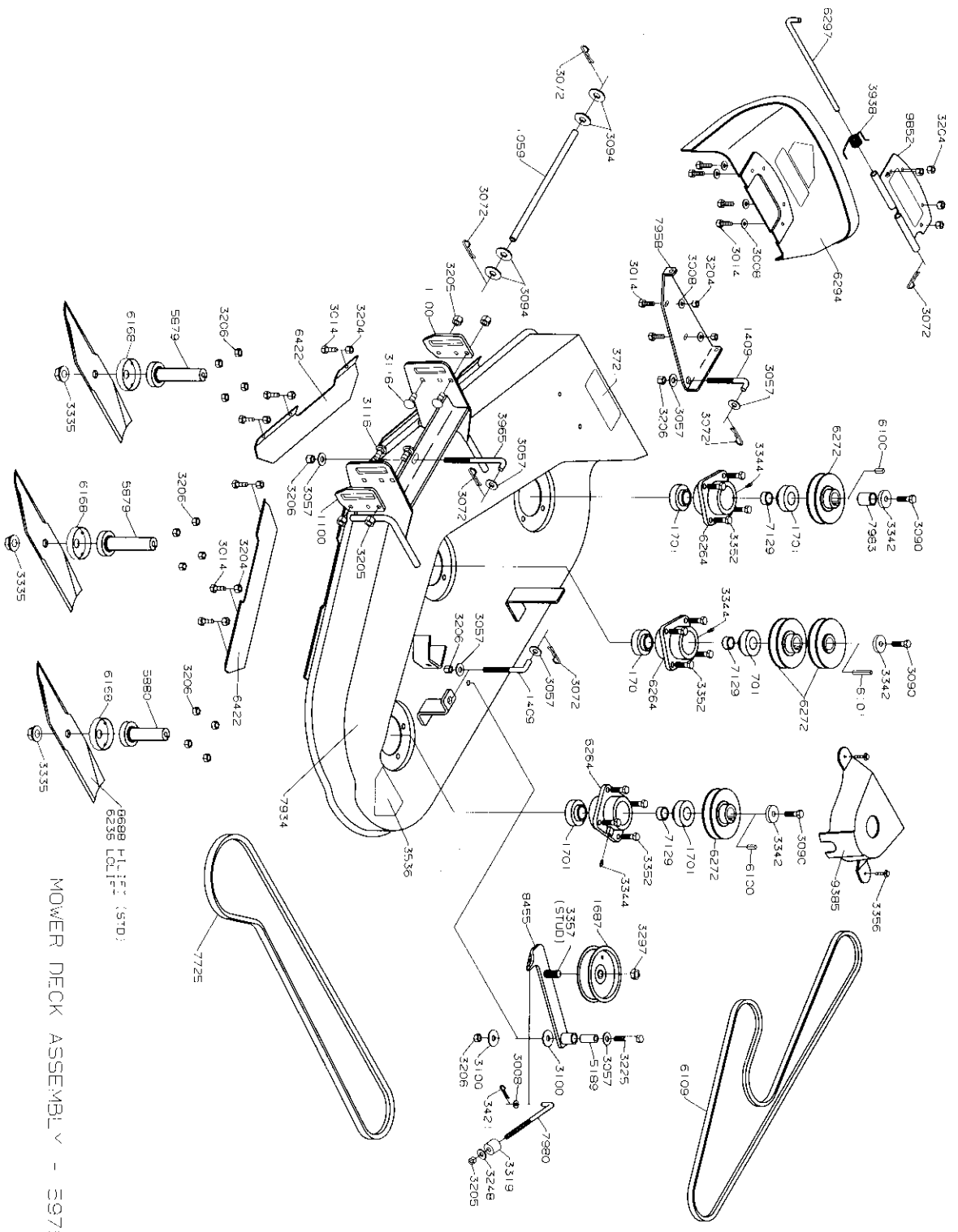
MODEL YEAR 2000

4000 SERIES TRANSAXLE

MODEL YEAR 2000

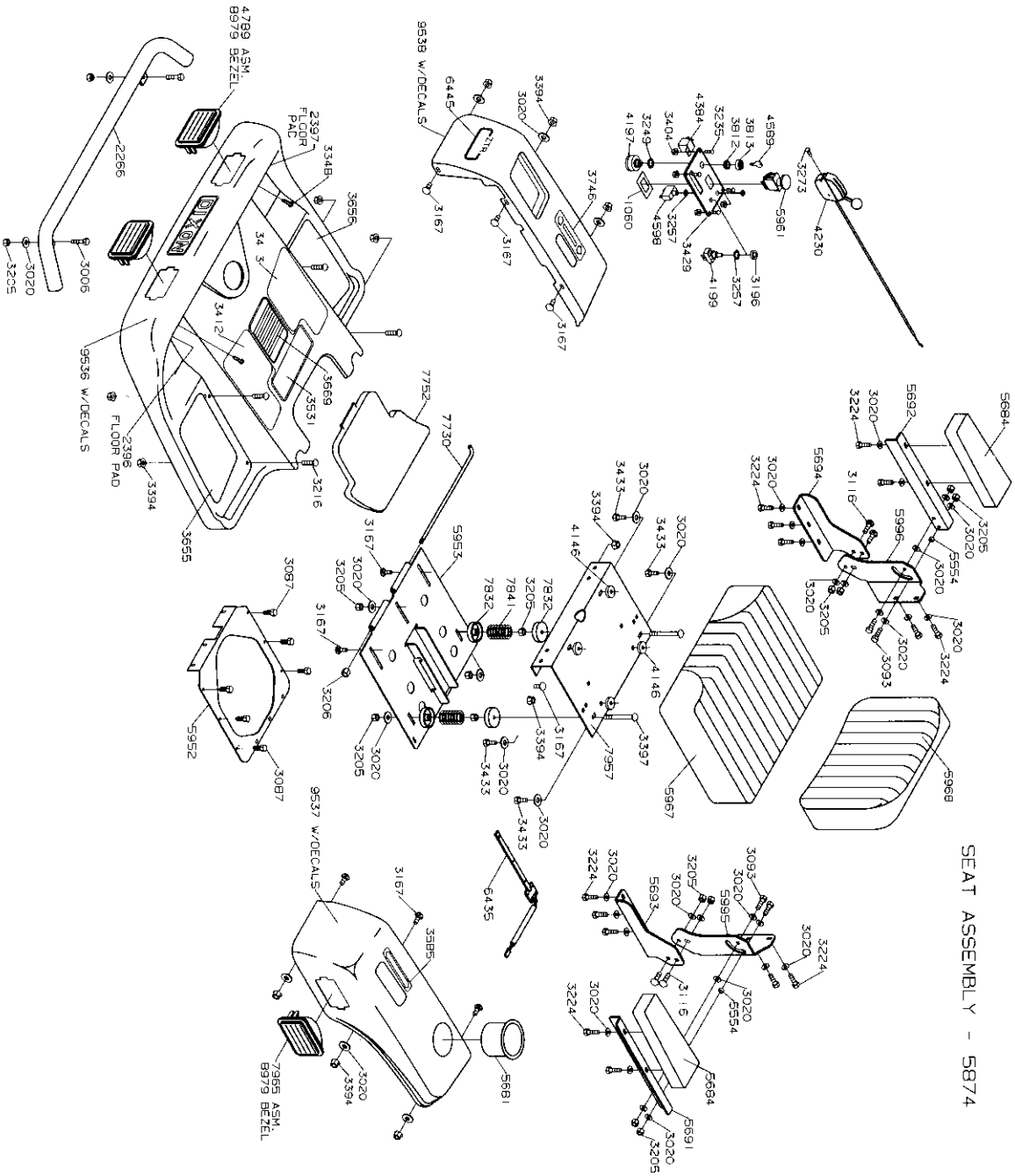
4423 CHASSIS

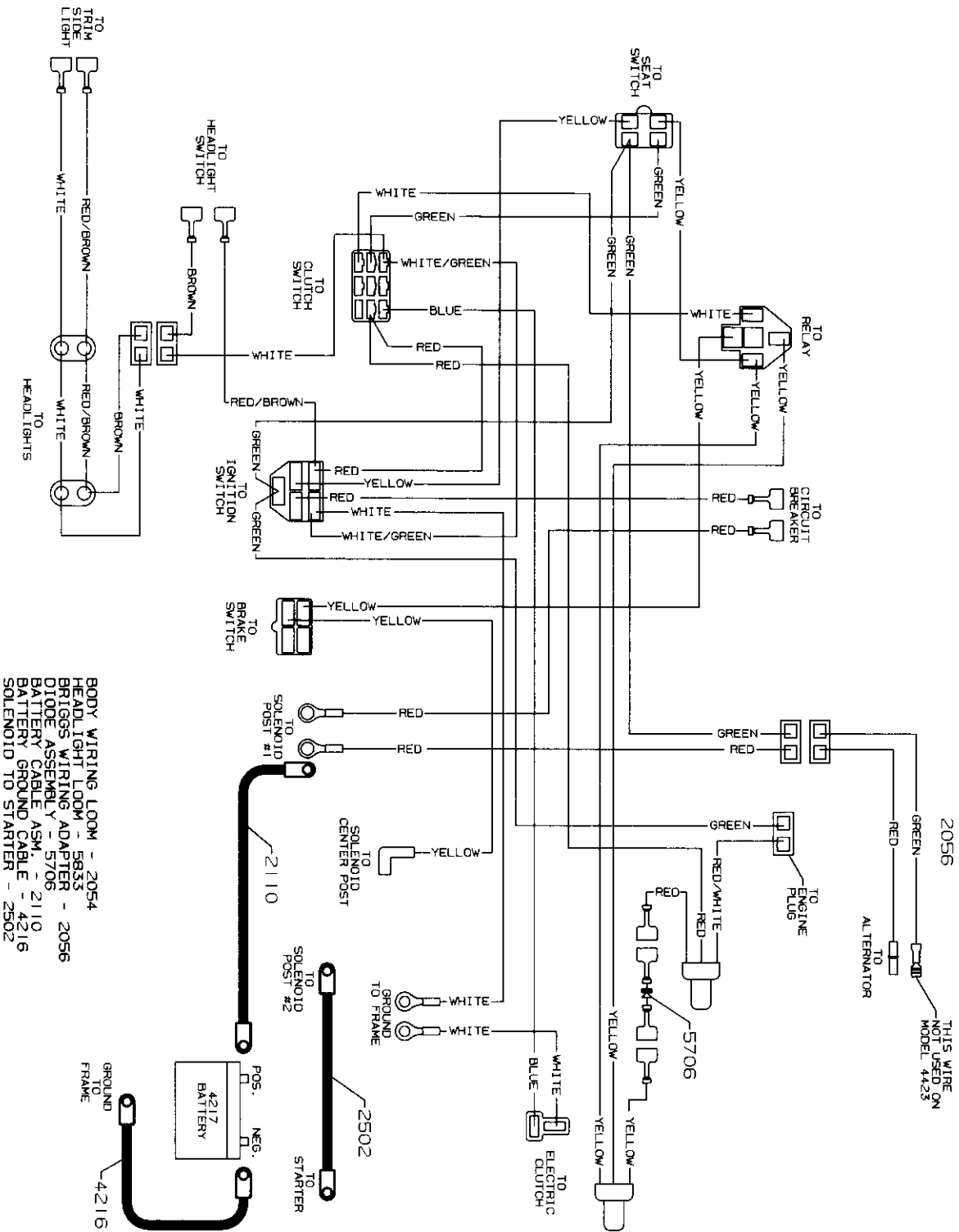




MOWER DECK ASSEMBLY - 5979

SEAT ASSEMBLY - 5874





- BODY WIRING LOOM - 2054
- HEADLIGHT LOOM - 5833
- BRIGGS WIRING ADAPTER - 2056
- DIODE ASSEMBLY - 5706
- BATTERY CABLE ASM - 2110
- BATTERY GROUND CABLE - 4216
- SOLENOID TO STARTER - 2502

WIRING KIT - 2814