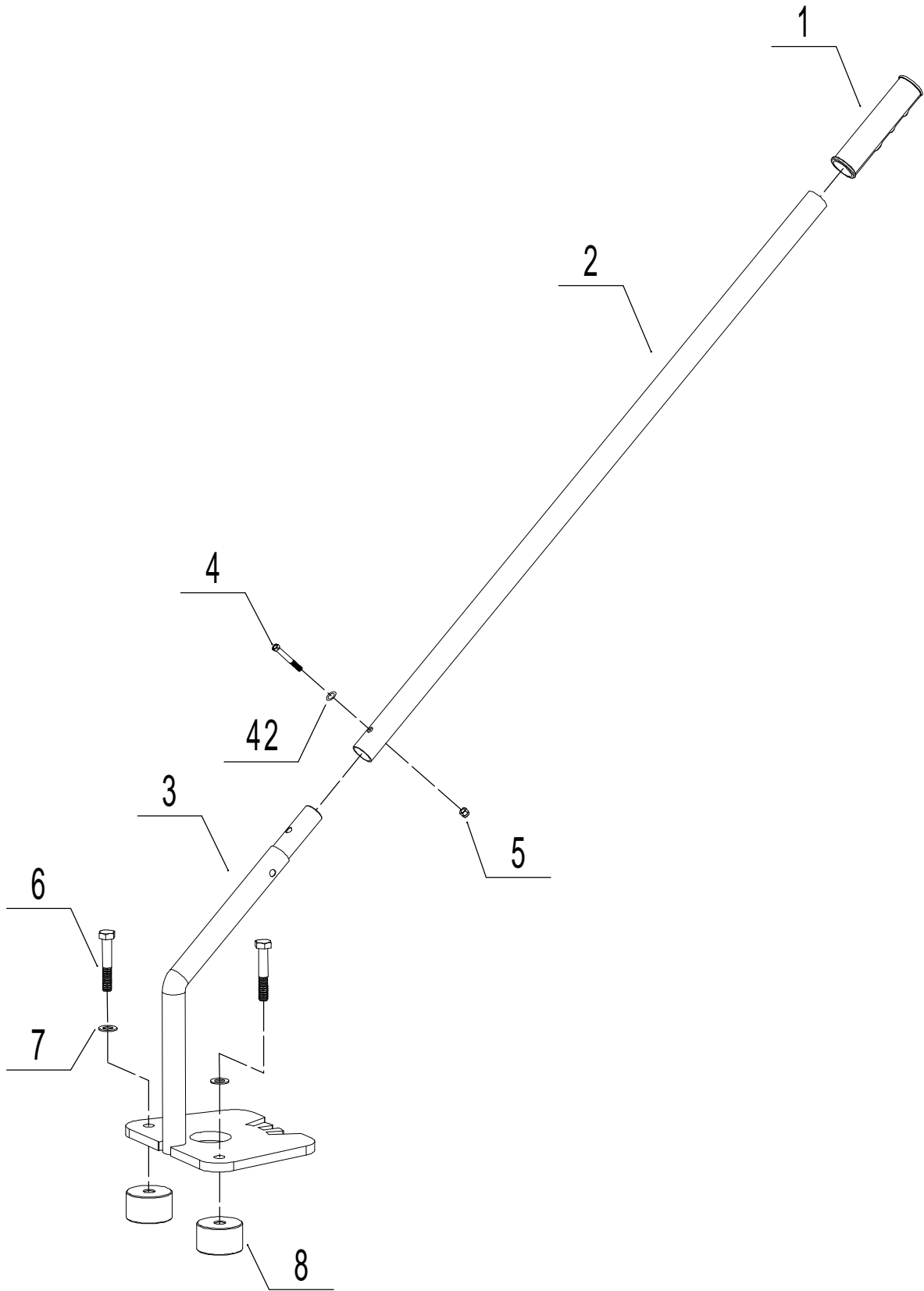


* PN.WHEELS PAIR
CODE 917012

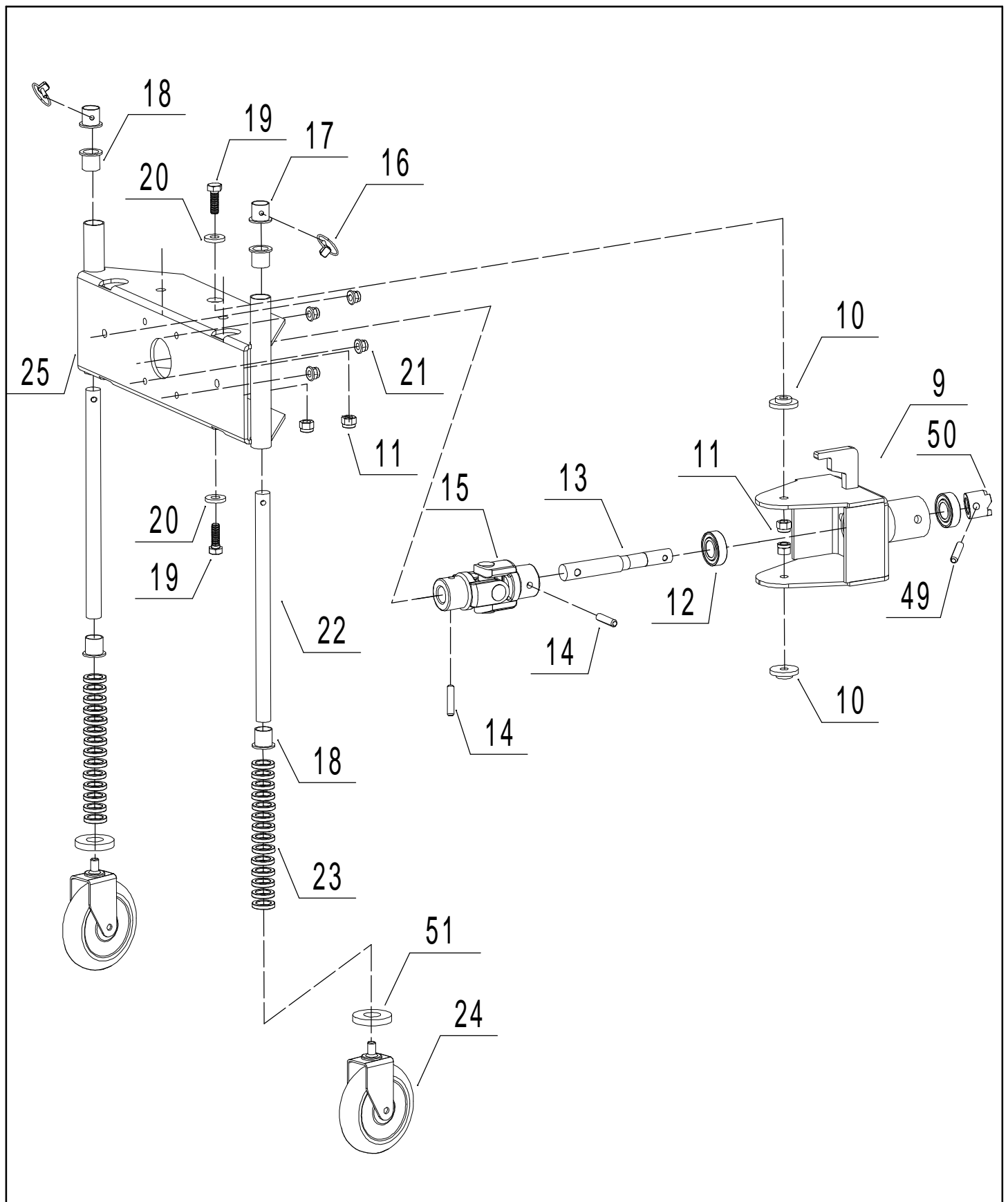
* COPPIA RUOTE GOMMA
CODICE 917012



POS	QTY	PARTNUMBER	BESKRIVELSE	DESCRIPTION
1	1	414303	SKUMGREB	HANDLE
2	1	414888	SVINGRØR	TUBE
3	1	414889	HOLDER SVINGRØR	BRACKET
4	1	90102885	STÅLBOLT 8.8 M6X30 FZ	STEEL BOLT M6X30 FZ
5	1	90100691	LÅSEMØTRIK 8.8 M6	LOCKING NUT M6
6	2	90102946	STÅLBOLT 8.8 M10X60 FZ	STEEL BOLT M10X60 FZ
7	2	90102311	PLANSKIVE M10.X21.X5.	FACE PLATE M10.X21.X5.
8	2	93300048	GUMMIBØS TIL SVINGSTANG	RUBBER GLAND
42	1	90102309	PLANSKIVE M6 - 6.5X16.0X1 FZ	FACE PLATE M6 - 6.5X16.0X1 FZ

Illustration B

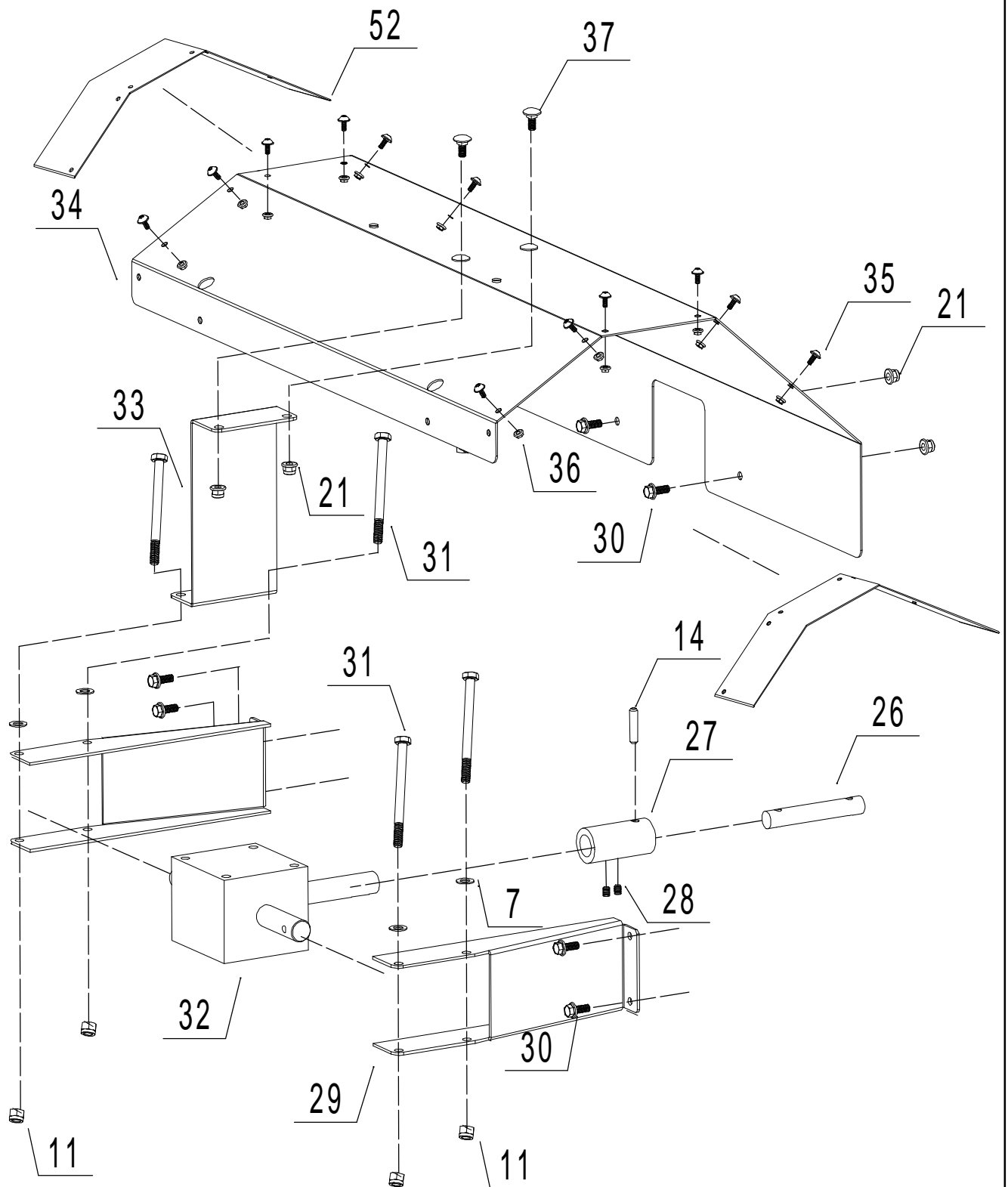
connecting part



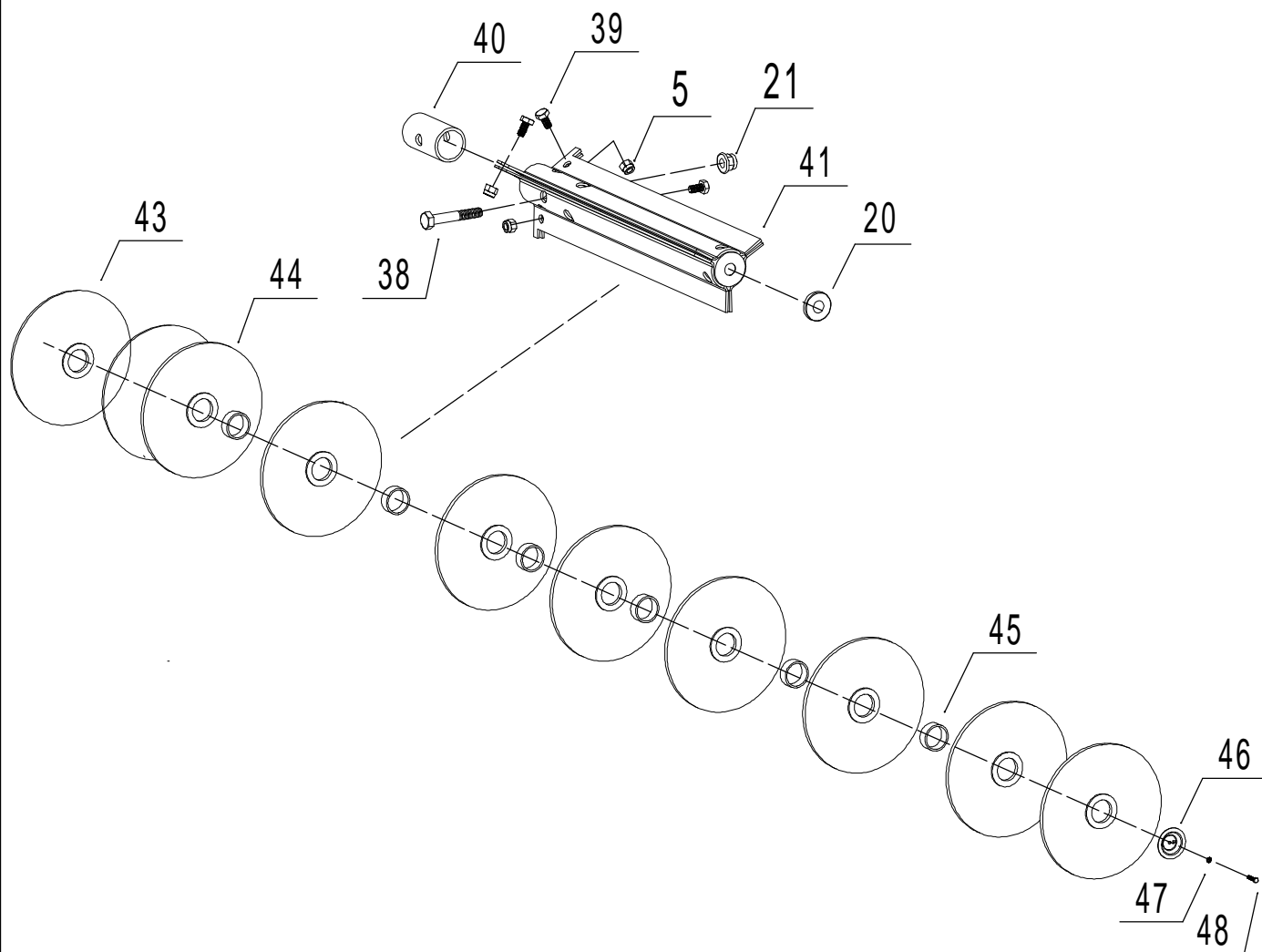
POS	QTY	PARTNUMBER	BESKRIVELSE	DESCRIPTION
9	1	414891	KONSOL	CONSOLE
10	2	414892	SKIVE FOR SVING	WASHER FOR SWING
11	4	90100693	LÅSEMØTRIK 8.8 M10 FZ	LOCKING NUT M10 FZ
12	2	90200222	KUGLELEJE 6003 2RS 35X17X10	BALL BEARING 6003 2RS 35X17X10
13	1	414893	AKSEL	SHAFT
14	2	90104496	RØRSTIFT 8.0X40	PIPE PIN 8.0X40
15	1	414894	KARDANLED	JOINT
16	2	90113800	RINGSPLIT GUL 4.5X32 FZ	RING COTTER 4.5X32 FZ
17	2	92500104	PLASTBØS	BUSHING
18	4	92500103	PLASTBØS M. HUL	BUSHING
19	2	90122197	FLANGEBOLT M10X30	COLLAR BOLT M10X30
20	2	90120059	PLANSKIVE M25X10.5X4 FZ	FACE PLATE M25X10.5X4 FZ
21	4	90180952	FLANGEMØTRIK M8 FZ	COLLAR NUT M8 FZ
22	2	414899	AKSEL FOR HJUL	SHAFT
23	28	90307950	PLASTSKIVE Ø18.5/Ø28/5 MM	PLASTIC DISC
24	2	93300060	HJUL	WHEEL
25	1	414907	SVINGKONSOL	SWINGCONSOLE
49	1	90104492	RØRSTIFT 6.0X30	PIPE PIN 6.0X30
50	1	93300001	KOBLINGSBØS	CLUTCH GLAND
51	2	90102312	PLANSKIVE M12 FZ	FACE PLATE M12 FZ

Illustration C

Gearbox



POS	QTY	PARTNUMBER	BESKRIVELSE	DESCRIPTION
14	1	90104496	RØRSTIFT 8.0X40	PIPE PIN 8.0X40
26	1	414903	AKSEL	SHAFT
27	1	414904	AKSELBØSNING	BUSH
28	2	90100284	PINOLSKRUE 8X10 MSP	TAILSTOCK SCREW 8X10 MSP
29	2	414905	GEARHOLDER	BRACHET FOR GEAR
30	6	90122150	FLANGEBOLT 8.8 M8X20 FZ	COLLAR BOLT M8X20 FZ
31	4	90102954	STÅLBOLT 8.8 M10X120 FZ	STEEL BOLT M10X120 FZ
7	4	90102311	PLANSKIVE M10.X21.X5.	FACE PLATE M10.X21.X5.
11	4	90100693	LÅSEMØTRIK 8.8 M10 FZ	LOCKING NUT M10 FZ
21	4	90180952	FLANGEMØTRIK M8 FZ	COLLAR NUT M8 FZ
32	1	414906	TRANSMISSION KOST	TRANSMISSION
33	1	414895	SKÆRMHOLDER	BRACKET
34	1	414908	KOSTESKRÆM	GUARD
35	12	90101846	PLADESKRUE M4.8X13	PLATE SCREW M4.8X13
36	12	90180950	FLANGEMØTRIK M5	COLLAR NUT M5
37	2	90100085	BRÆDDEBOLT 8.8 M8X20 FZ	CARRIAGE BOLT M8X20 FZ
52	2	414909	PLAST FORLÆNGER	EXTENSION



POS	QTY	PARTNUMBER	BESKRIVELSE	DESCRIPTION
5	6	90100691	LÅSEMØTRIK 8.8 M6	LOCKING NUT M6
38	2	90152101	STÅLBOLT 8.8 M8X50 FZ	STEEL BOLT M8X50 FZ
39	6	90102881	STÅLBOLT 8.8 M6X12 FZ	STEEL BOLT M6X12 FZ
40	2	414910	RØRBØS	BUSH
21	2	90180952	FLANGEMØTRIK M8 FZ	COLLAR NUT M8 FZ
41	2	414911	BØRSTERØR	TUBE FOR SWEEPER
20	2	414912	SKIVE	WASHER
43	4	414913	VEJFEJERING KUPPET 450 X 3" 1.5	BRUSH ANGLE
44	16	414914	VEJFEJERING LIGE 450 X 3" 1.5	BRUSH STRAIGHT
45	12	916003	AFSTANDSRØR	SPACER TUBE
46	2	414916	ENDESKÅL	SOCKET
47	2	90102199	TANDSKIVE M10	TOOTHED DISC M10
48	2	90102941	STÅLBOLT 8.8 M10X35 FZ	STEEL BOLT M10X35 FZ