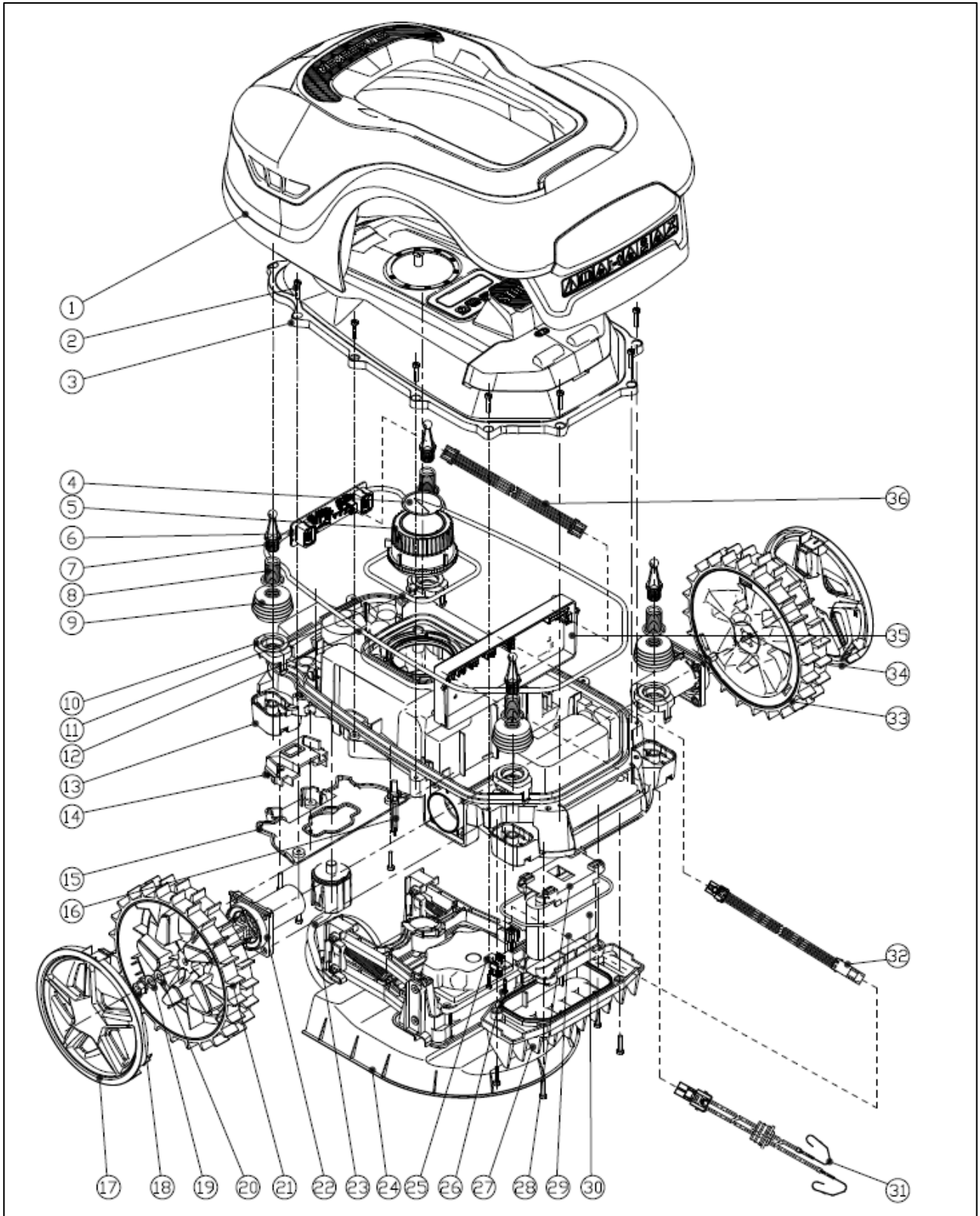


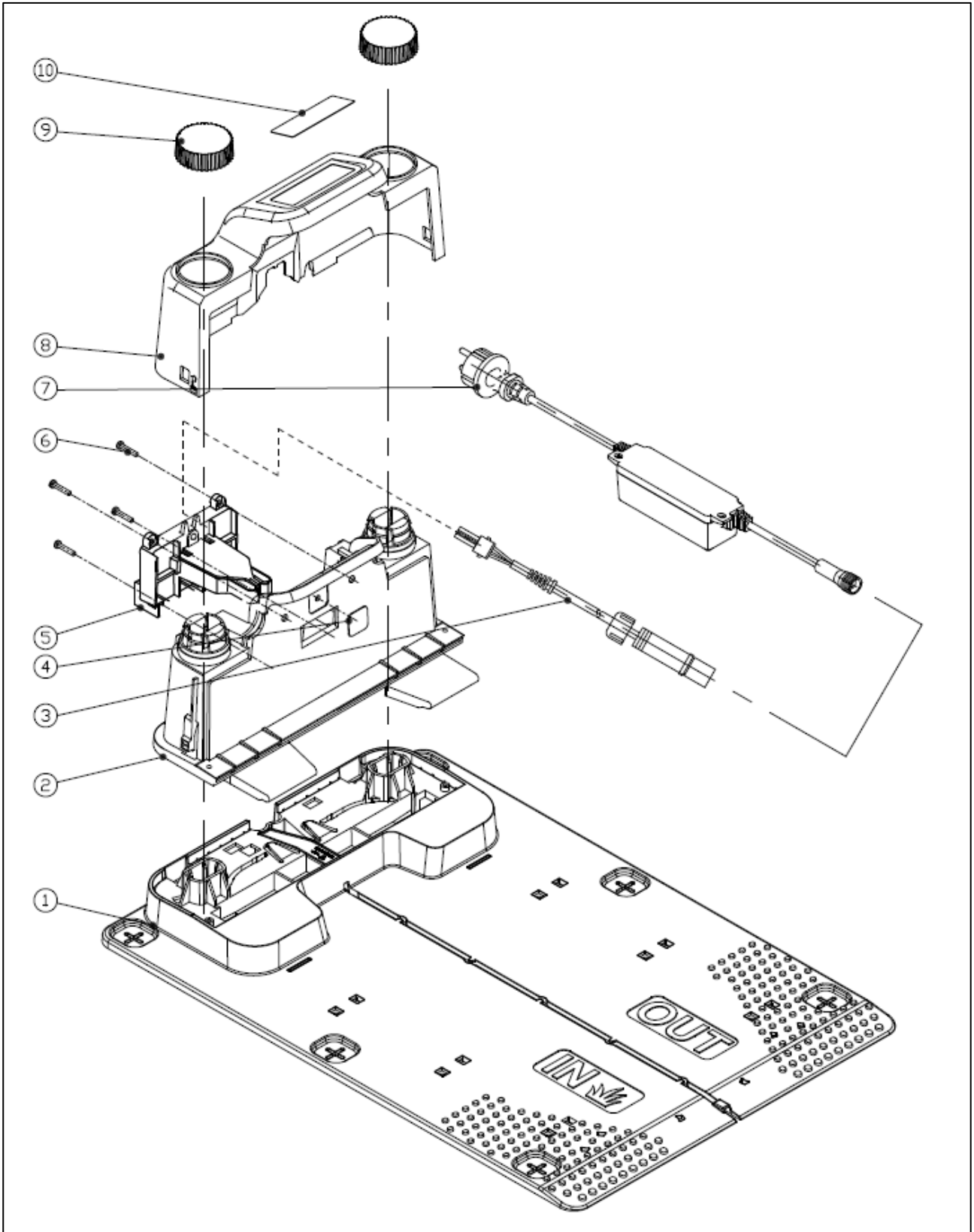
Model: RMX800

Part number: 90070212

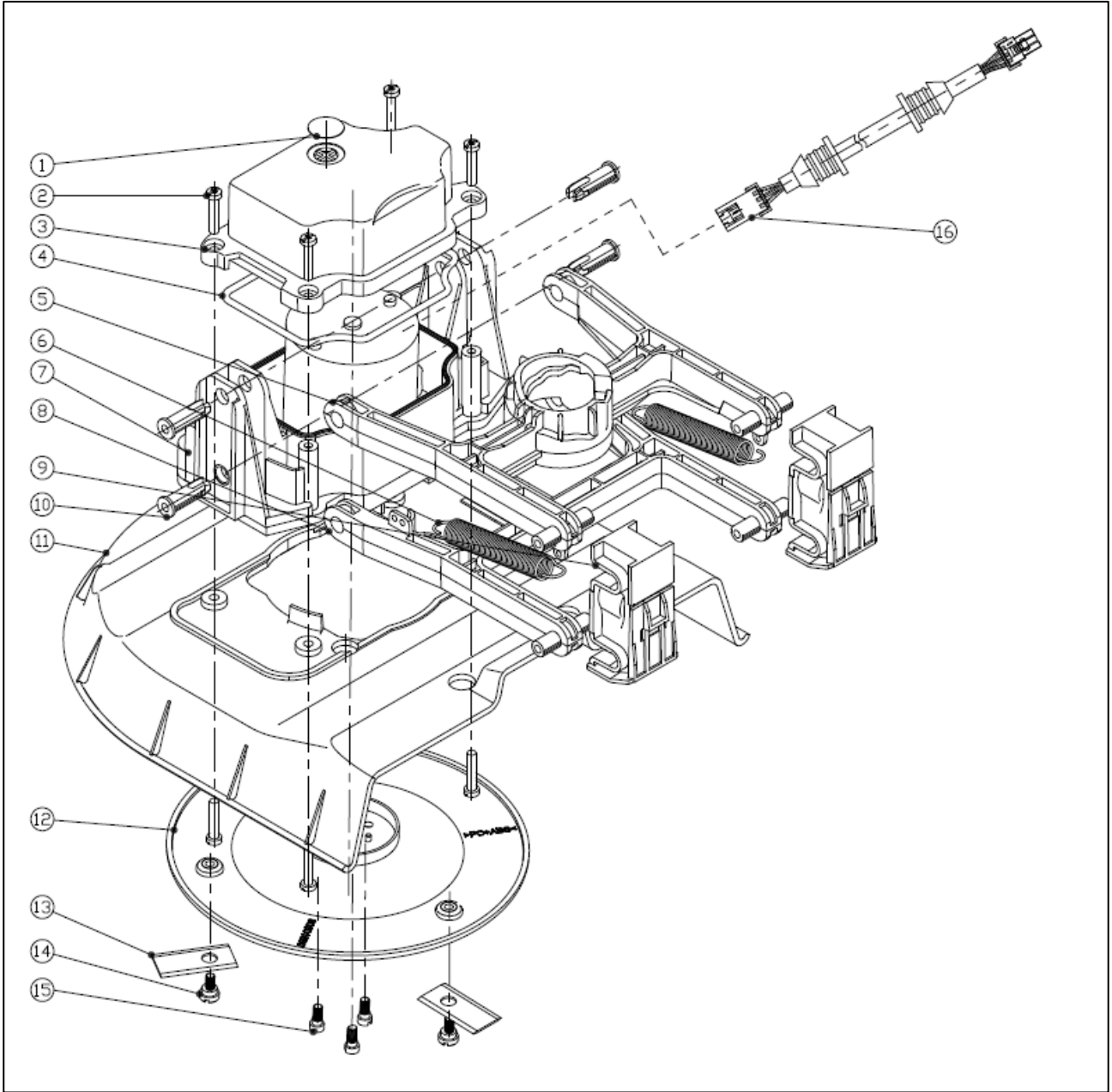
Year: 2022



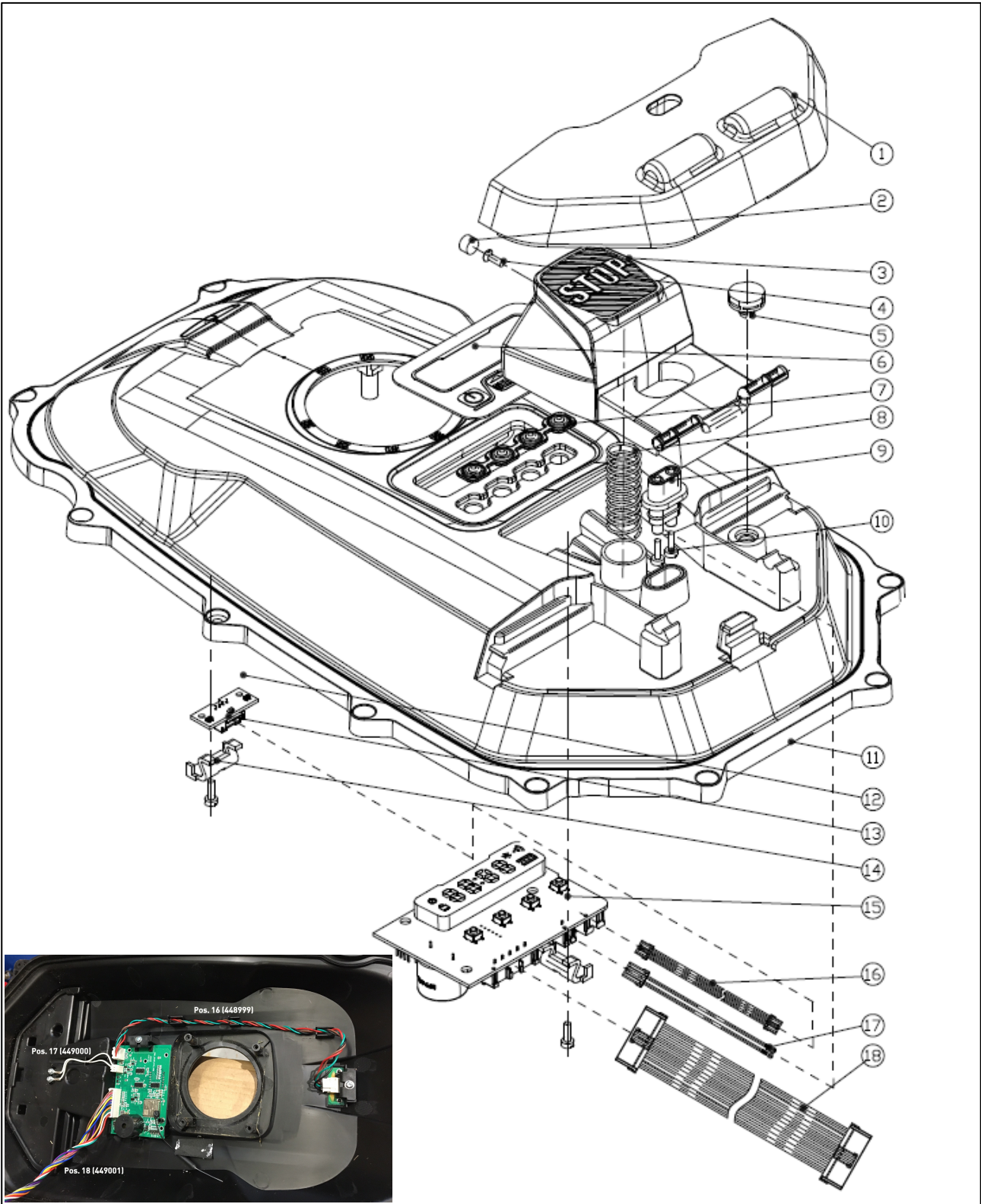
POS	QTY	PARTNUMBER	BESKRIVELSE	DESCRIPTION
1	1	448938	COVER	FLOAT COVER ASSEMBLY
2	20	448939	SKRUE ST3.9X18	SCREW (SUS304)
3	1	448940	DÆKSEL KPL.	TOP COVER ASSEMBLY
4	1	448941	LABEL (HØJDEJUSTERING)	HEIGHT INDICATOR STICKER
5	1	448942	HØJDEJUSTERINGSKNAP	HEIGHT KNOB
6	1	448943	SENSORPLADE	BOUNDARY SENSOR BOARD
7	4	448944	PIND	SWING ROD
8	4	448945	FJEDER	SWING SPRING
9	4	448946	BESKYTTER	SWING SPRING PROTECTOR
10	4	448947	HOLDER	SWING COVER
11	1	448948	PAKNING/FORSEGLING Ø5MM	SEALING STRIP 2
12	1	448949	PAKNING/FORSEGLING Ø5MM	SEALING STRIP 1
13	1	448950	CHASSIS	CHASSIS
14	1	448951	DÆKSEL	CHARGING POLE PLATE
15	1	448952	PLADE	BOARD 2
16	1	448953	STOPKLODS TIL HØJDEJUSTERING	HEIGHT KNOB STOP BLOCK
17	1	450021	VENSTRE HJULKAPSEL	LEFT WHEEL COVER
18	2	438274	LÅSEMØTRIK M6	M6 NON-METALLIC INSERT LOCKNUTS
19	2	448954	SKIVE ELASTISK	ELASTIC WASHER 6
20	2	423131	SKIVE 6.1X15.2	WASHER
21	1	450022	VENSTRE BAGHJUL	LEFT REAR WHEEL
22	2	450023	HJULMOTOR	WHEEL MOTOR ASSEMBLY
23	1	448955	FORHJUL KPL.	FRONT WHEEL COMPONENT
24	1	448956	KLIPPESKJOLD KPL.	CUTTING SYSTEM COMPONENT
25	1	448957	USB PORT	USB BOARD
26	2	448958	SKRUE ST2.9*12	SCREW (SUS304)
27	1	448959	DÆKSEL TIL BATTERI	BATTERY PACK COVER
28	2	449004	HOLDER FOR BATTERI	
29	1	449002	BATTERI 20V/5.0AH	BATTERY PACK (SAMSUNG)
30	1	448962	PAKNING TIL BATTERI	BATTERY PACK COVER SEALING
31	1	450028	LADEKABEL	CHARGING WIRE ASSEMBLY
32	1	450029	BATTERILEDNING	BATTERY CONNECT MAINBOARD CABLE
33	1	450024	HØJRE BAGHJUL	RIGHT REAR WHEEL
34	1	450025	HØJRE HJULKAPSEL	RIGHT WHEEL COVER
35	1	448963	PRINTPLADE	MAINBOARD ASSEMBLY
36	1	450031	SENSOR KABEL	BOUNDARY SENSOR CABLE



POS	QTY	PARTNUMBER	BESKRIVELSE	DESCRIPTION
1	1	448964	BUNDPLADE TIL LADESTATION	CHARGING BASE
2	1	448965	BAGPLADE TIL LADESTATION	CHARGING STATION REAR PLATE
3	1	448966	STRØMKABEL	POWER SUPPLY CABLE
4	1	448967	LYSPANEL	INDICATOR LIGHT PANEL
5	1	448968	LADEPOLE INKL. PRINTKORT	CHARGING POLE ASSEMBLY
6	4	448939	SKRUE ST3.9X18	SCREW (SUS304)
7	1	449003	STRØMFORSYNING 3A	POWER SUPPLY 3A
8	1	448969	DÆKSEL TIL BAGPLADE	CHARGING STATION COVER
9	2	448970	LÅG	LOCKING COVER
10	1	448971	LABEL TEXAS LOGO	CHARGING STATION LOGO LABEL



POS	QTY	PARTNUMBER	BESKRIVELSE	DESCRIPTION
1	1	450035	LUFTFILTER	AIR FILTER
2	8	448939	SKRUE ST3.9X18	SCREW (SUS304)
3	1	448972	MOTORDÆKSEL	MOTOR COVER
4	1	448973	PAKNING/FORSEGLING	MOTOR COVER SEALING RING
5	1	448974	ØVRE HOLDER	UPPER CONNECTING ROD
6	2	448975	FJEDER	DRAG SPRING
7	1	448976	KLIPPEMOTOR	CUTTING MOTOR BASE
8	1	448977	NEDRE HOLDER	LOWER CONNECTING ROD
9	2	448978	BESLAG	CONNECTING ROD BASE
10	4	448979	AKSEL	ROTATION AXIS
11	1	448980	KLIPPESKJOLD	SHIELD
12	1	450034	KNIVHOLDER	CUTTING DISC
13	3	448981	KNIVBLAD	BLADE
14	3	448982	KNIVSKRUE M4X10	SCREW FOR BLADE
15	3	448983	SKRUE M4X12	SCREW
16	1	448984	LEDNING TIL KLIPPEMOTOR	CUTTING MOTOR CONNECTION WIRE



POS	QTY	PARTNUMBER	BESKRIVELSE	DESCRIPTION
1	1	448985	BAGDÆKSEL	BACK COVER
2	1	448986	MAGNET	MAGNET
3	1	448987	STOPKNAP	STOP BUTTON
4	1	448988	SKRUE ST2.9X8	SCREW
5	1	448989	UDLUFTNINGSVENTIL	VENT VALVE
6	1	448990	DISPLAY COVER	FILM KEY
7	1	448991	KNAPPER	FILM KEY RUBBER
8	1	448992	FJEDER	STOP SPRING
9	1	448993	REGNSENSOR	RAIN SENSOR
10	1	448994	SKRUE M3X8	SCREW
11	1	448995	ØVRE DÆKSEL	UPPER COVER
12	1	448996	SENSOR	COLLISION SENSOR PCBA
13	2	448997	SENSORPLADE	SENSOR PRESSING PLATE
14	2	448958	SKRUE ST2.9*12	SCREW (SUS304)
15	1	448998	PRINTPLADE TIL DISPLAY	PCBA ASSEMBLY OF DISPLAY BOARD
16	1	448999	SENSORKABEL	COLLISION SENSOR WIRE
17	1	449000	REGNSENSOR KABEL	RAIN SENSOR WIRE
18	1	449001	DISPLAY KABEL	DISPLAY BOARD CONNECTION WIRE