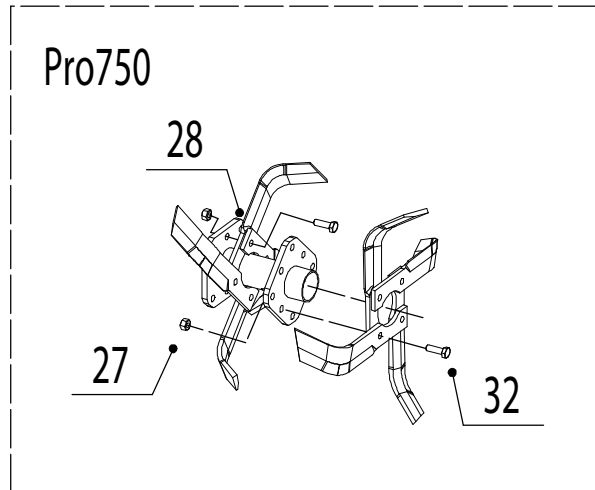
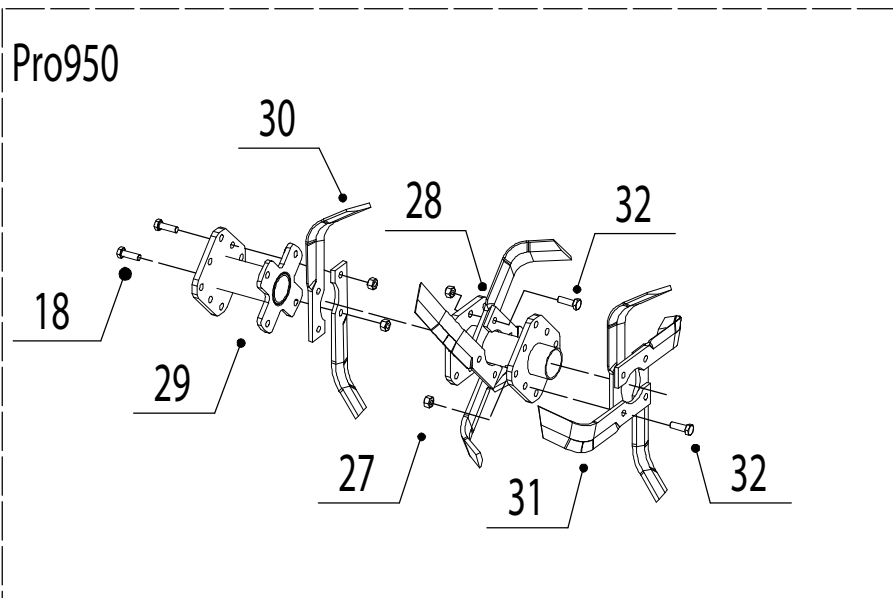
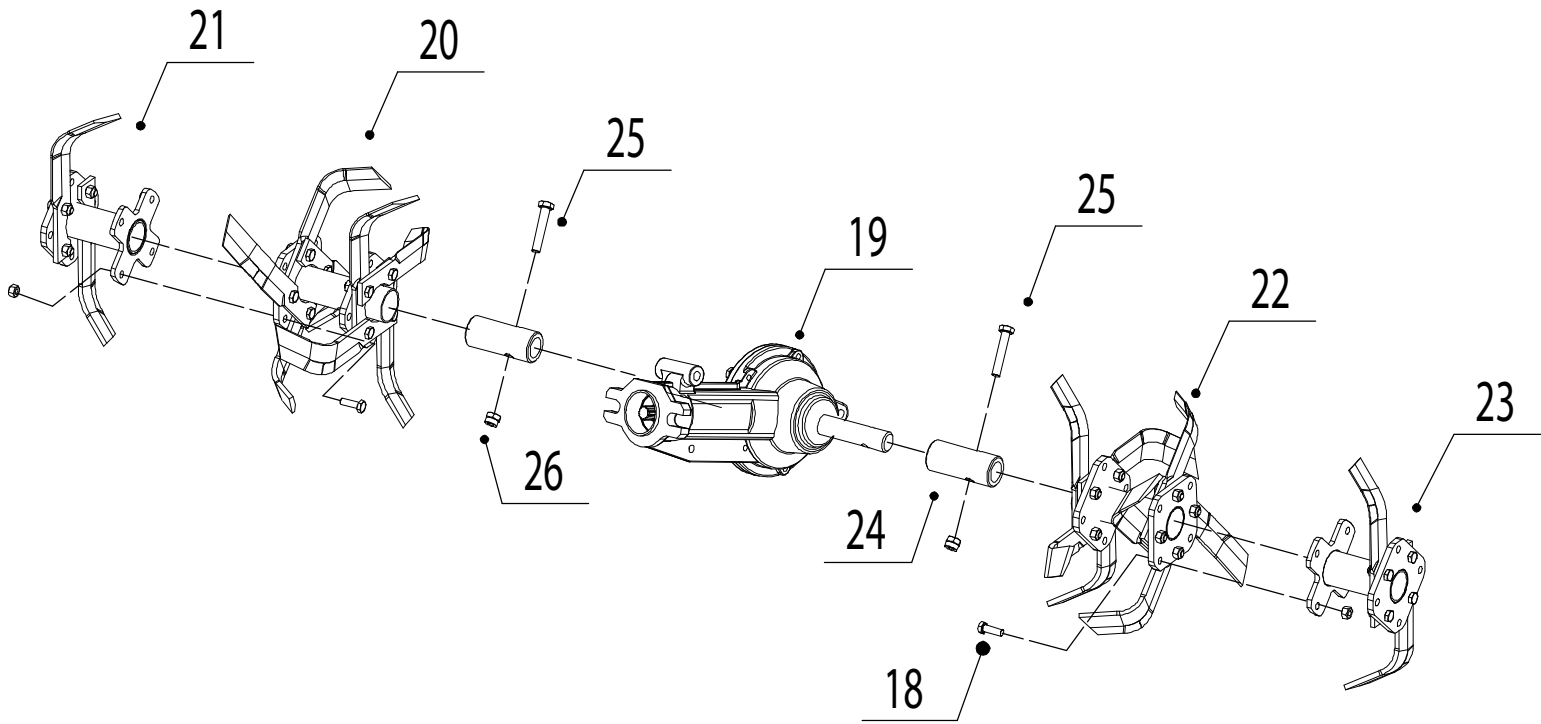
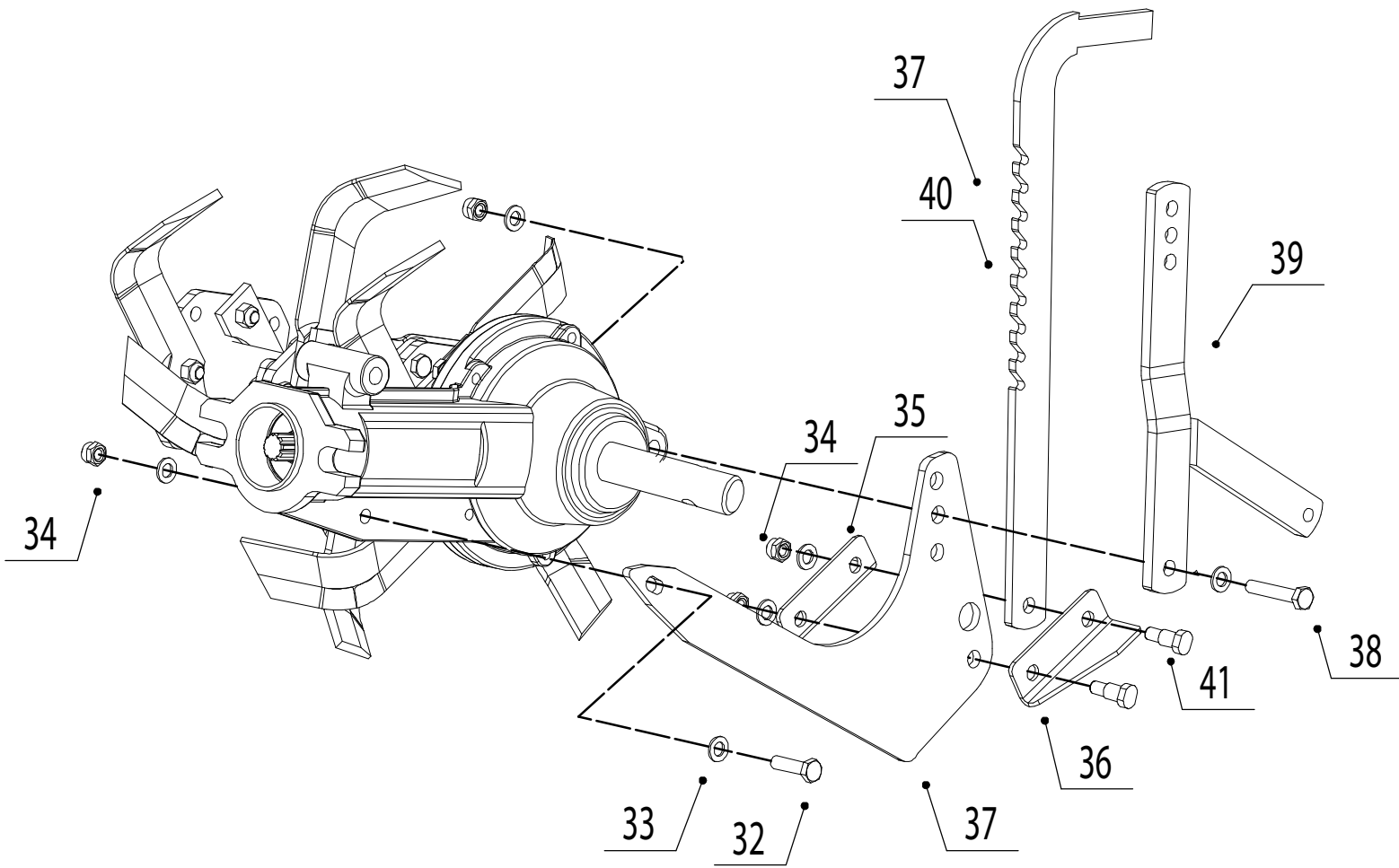


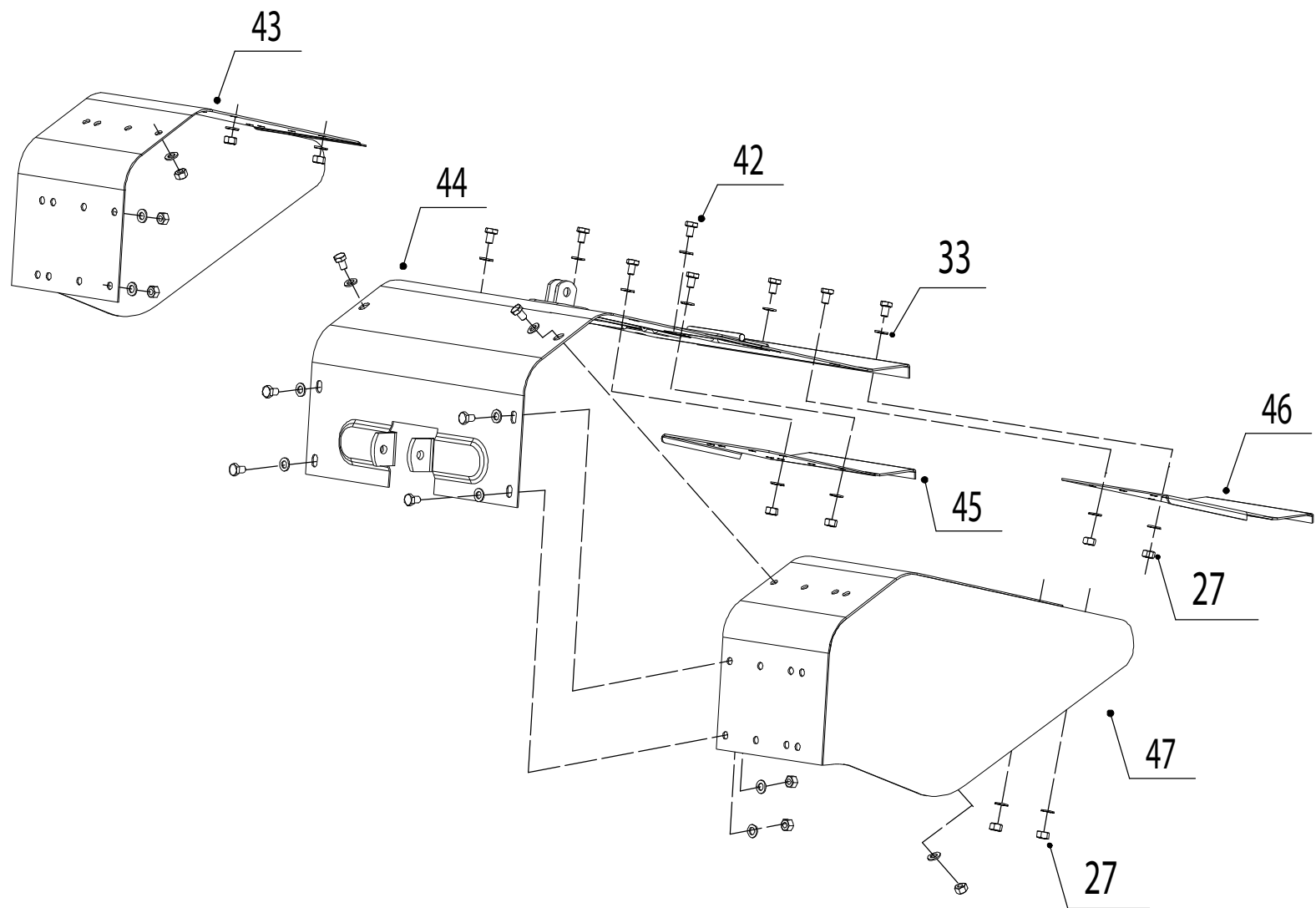
POS	QTY	PARTNUMBER	BESKRIVELSE	DESCRIPTION
1	1	422539	GEARHUS VENSTRE	LEFT COVER OF GEARBOX
2	1	422540	SEEGERRING 47	CIRCLIP FOR HOLE 47
3	1	422541	PAKDÅSE 10*47*8	SEALING 10*47*8
4	2	422542	PAKDÅSE 25*52*8	SEALING 25*52*8
5	2	422543	LEJE 6305	BEARING 6305
6	1	422544	BØS	BUSHING FOR THE BIG GEAR
7	1	422545	AKSEL GEAR	BIG BEVEL GEAR AXIS
8	1	422546	KRONHJUL GEAR	BEVEL GEAR
9	1	422547	KRONHJUL AKSEL	SMALL BEVEL GEAR AXIS
10	1	422548	LEJE NKI25-20	BEARING NKI25-20
11	1	422549	SKIVE	WASHER FOR SMALL BEVEL GEAR AXIS
12	1	422550	SEEGERRING 25	CIRCLIP FOR SHAFT 25
13	1	422551	LEJE 6204	BEARING 6204
14	1	422552	SEEGERRING 65MN	CIRCLIP FOR SHAFT 20
15	1	422553	GEARHUS HØJRE	RIGHT COVER OF GEARBOX
16	1	422554	BOLT M8X12	HEXAGON BOLT M8*12
17	5	422555	FJEDERSKIVE 8	SPRING WASHER 8
18	5	422556	BOLT M8X25	HEXAGON BOLT M8*25



POS	QTY	PARTNUMBER	BESKRIVELSE	DESCRIPTION
19	1	422557	GEARHUS KOMPLET	GEARBOX ASSEMBLING
20	1	422558	KNIVSÆT INDRE HØJRE	RIGHT INNER KNIFE ASSEMBLING
21	1	422559	KNIVSÆT YDRE HØJRE	RIGHT OUTSIDE KNIFE ASSEMBLING
22	1	422560	KNIVSÆT INDRE VENSTRE	LEFT INNER KNIFE ASSEMBLING
23	1	422561	KNIVSÆT YDRE VENSTRE	LEFT OUTSIDE KNIFE ASSEMBLING
25	2	422562	BOLT M10*55	HEXAGON BOLT M10*55
26	2	422563	LÅSEMØTRIK M10*55	SELF-LOCKING NUT M10
27	32	422564	MØTRIK M8	NUT M8
28	2	422565	KNIVRØR INDRE	INNER KNIFE BRAKET
29	2	422566	KNIVRØR YDRE	OUTSIDE KNIFE BRAKET
30	10	422567	KNIVBLAD HØJRE	RIGHT BLADE
31	10	422568	KNIVBLAD VENSTRE	LEFT BLADE
32	24	422569	BOLT M8*30	HEXAGON BOLT M8*30
18	8	422556	BOLT M8X25	HEXAGON BOLT M8*25

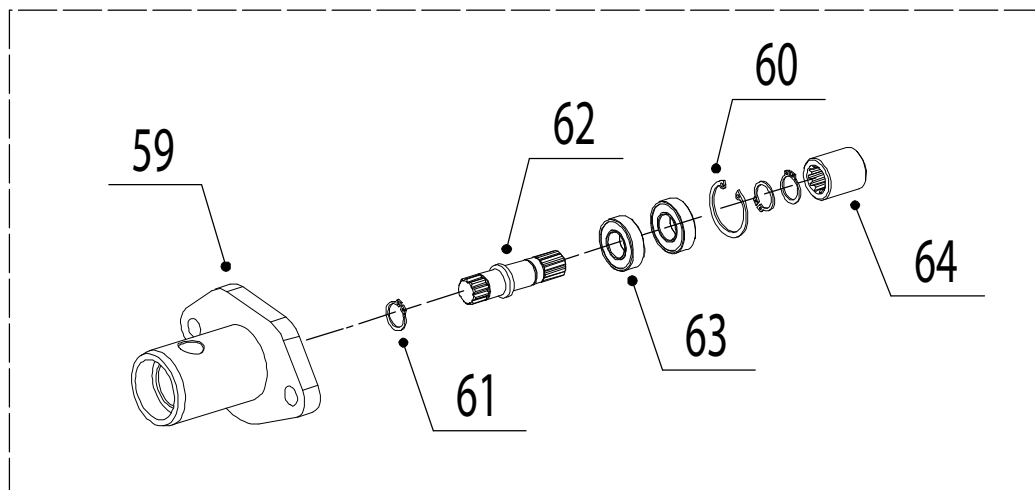
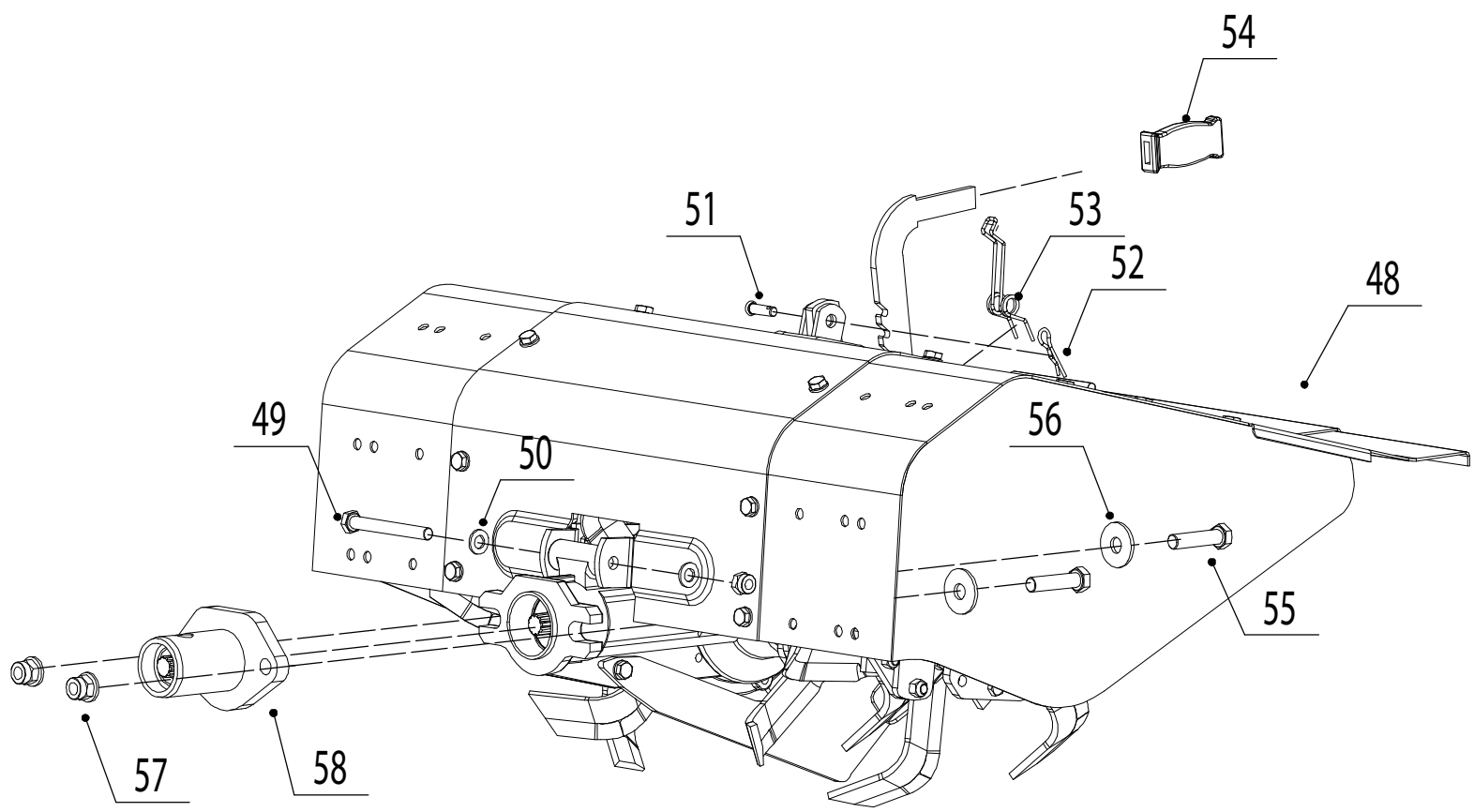


POS	QTY	PARTNUMBER	BESKRIVELSE	DESCRIPTION
32	1	422569	BOLT M8*30	HEXAGON BOLT M8*30
33	6	422570	SKIVE M8	WSAHER 8
34	4	422571	LÅSEMØTRIK M8	SELF-LICKING NUT M8
35	1	422572	BESLAG A	CONNECT PART A
36	1	422573	BESLAG B	CONNECT PART B
37	2	422574	JORDSPYD	DEPTH SKID KNIFE
38	1	422575	BOLT M8X45	HEXAGON BOLT M8*45
39	1	422576	BESLAG FOR JORDSPYD	DEPTH SKID HANDLE
40	1	422577	JORDSPYD	DEPTH SKID ADJUSTING PART
41	2	422578	BOLT	BOLT MACHINED



POS	QTY	PARTNUMBER	BESKRIVELSE	DESCRIPTION
42	14	422579	BOLT M8X16	HEXAGON BOLT M8*16
43	1	422580	SIDESKÆRM HØJRE	RIGHT KNIFE GUARD
44	1	422581	SKÆRM MIDT	MAIN KNIFE GUARD
45	1	422582	FORLÆNGERSKÆRM HØJRE	RIGHT ADJUSTING GUARD
46	1	422583	FORLÆNGERSKÆRM VENSTRE	LEFT ADJUSTING GUARD
47	1	422584	SIDESKÆRM VENSTRE	LEFT KNIFE GUARD
27	14	422564	MØTRIK M8	NUT M8
33	28	422570	SKIVE M8	WSAHER 8





POS	QTY	PARTNUMBER	BESKRIVELSE	DESCRIPTION
48	1	422585	SKÆRM KOMPLET	COVER ASSEMBLING
49	1	422586	BOLT M10X90	HEXAGON BOLT M10*90
50	2	422587	SKIVE 10	WSAHER 10
26	1	422563	LÅSEMØTRIK M10*55	SELF-LOCKING NUT M10
51	1	422588	PIN 8X25	PIN 8X25
52	1	422589	FJEDERSPLIT	CRAMB
53	1	422590	FJEDER	SPRING FOR PRO TILLER
54	1	422591	HÅNDTAG 20X4	RUBBER HANDLEBAR
55	2	422592	BOLT M20X50	HEXAGON BOLT M12*50
56	2	422593	SKIVE 12*24*3	BIG WASHER 12*24*3
57	2	422594	LÅSEMØTRIK M12	HEX FLANGE FACE LOCKING NUT M12
58	1	422595	QVIKKOBLING KPL. KOMPLET	QUICKJOINT ASSEMBLY
59	1	422596	QVIKKOBLINGSHUS	INNER SLEEVE FOR QUICKJOINT
60	1	422597	SEEGERRING ?35	CIRCLIP FOR HOLE 35
61	3	422598	SEEGERRING 17	CIRCLIP FOR SHAFT 17
62	1	422599	AKSEL	SPLINE SHAFT
63	2	422600	LEJE 6003	BEARING 6003
64	1	422601	SPLINEBØS	SPLINE SLEEVE