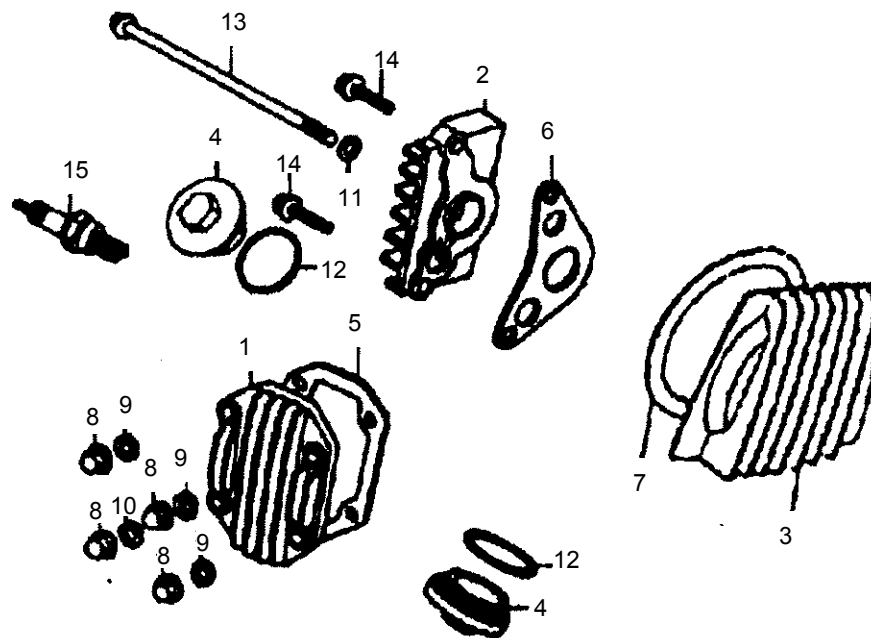
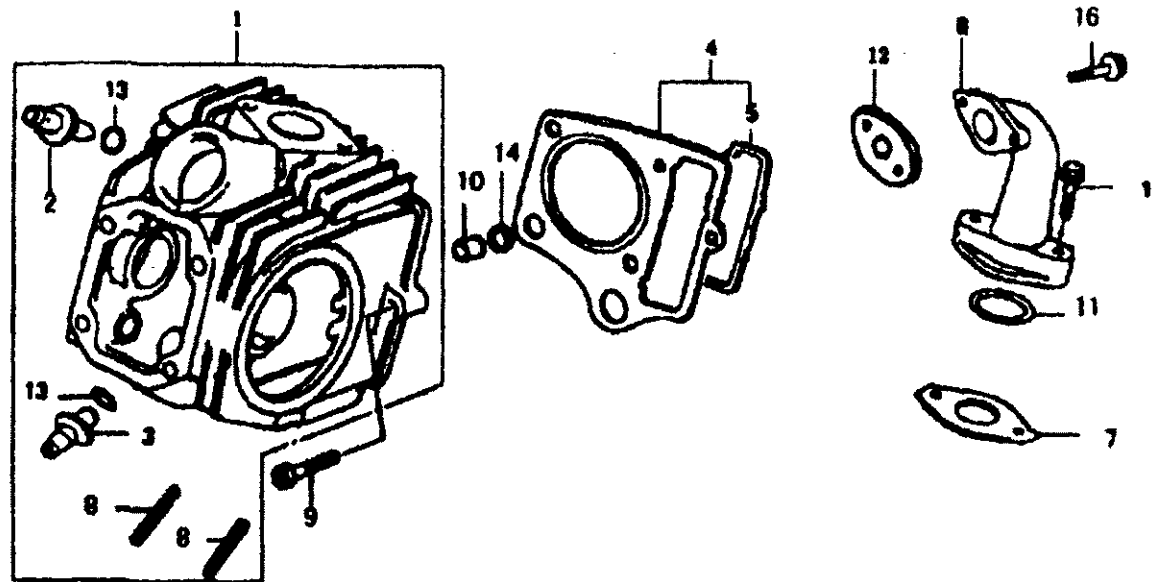


E-1

Cover Of Cylinder Head



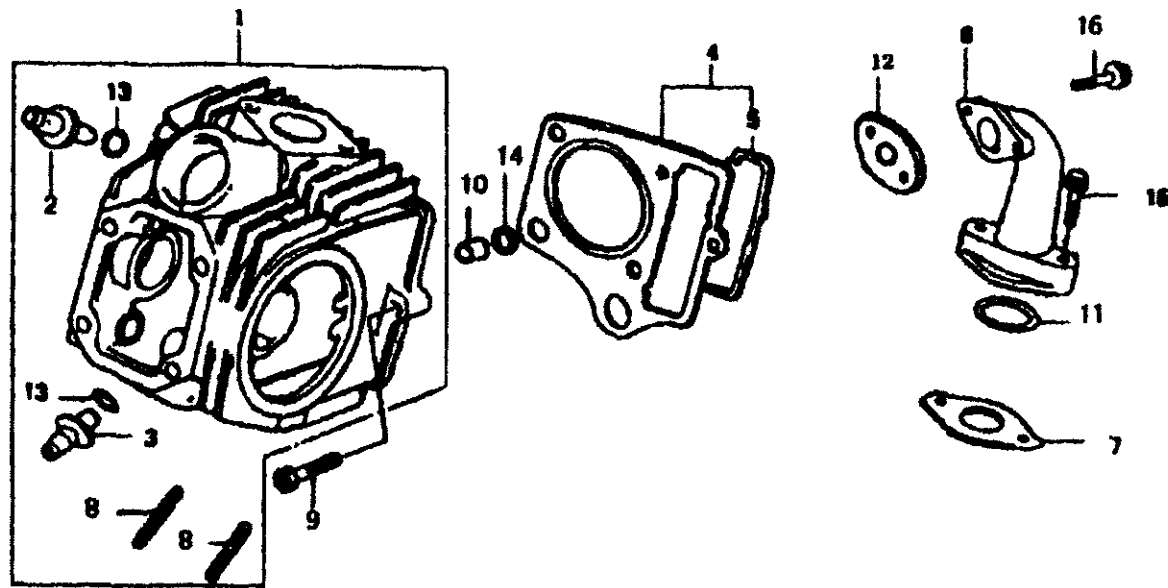
Ref.No.	Part No.	Description	Quantity	Remark
1	12311	Cylinder head	1	
2	12221	Right cover of cylinder head	1	
3	12222	left cover of cylinder head	1	
4	12223	Checking valve cover	2	
5	12312	Cylinder head gasket	1	
6	12224	Gasket	1	
7	12225	Gasket	1	
8	12346	M7 Grown nut M7	4	
9	12347	7 Washer 7	3	
10	12348	A7 Washer A7	1	
11	12228	6.5 Washer 6.5	1	
12	12226	30. 8X3. 2 "O" sealing ring	2	
13	12227	M6X110 Crown stud	1	
14	GB5787-86	M6X20 Crown stud	2	
15	10011455	Plug	1	



Ref.No.	Part No.		Description	Quantity	Remark
1	12210		Cylinder set	1	
2	12214		Inlet valve guide	1	
3	12215		Exhaust valve guide	1	
4	12250		Sealing gasket set	1	
5	12259		Roller chain seal ring	1	
6	17311		Inlet pipe	1	
7	17312		Sealing washer	1	
8	GB5783-86	M6x32	Stud M6x32	2	
9	GB5783-86	M6x23	Stud M6x23	1	
10	12344	9.5	Sleeve 9.5	1	
11	17313	27x2.0	O-ring 27x2.0	1	
12	17314		Sealing gasket	1	
13	12216	9x1.6	O- washer 9x1.6	2	
14	12345	9x1.35	O- ring 9x1.35	1	
15	GB5783-86	M6x28	Stud M6x28	2	

E-2

Cylinder Head



Ref.No.

Part No.

Description

Quantity

Remark

16

GB5783-86

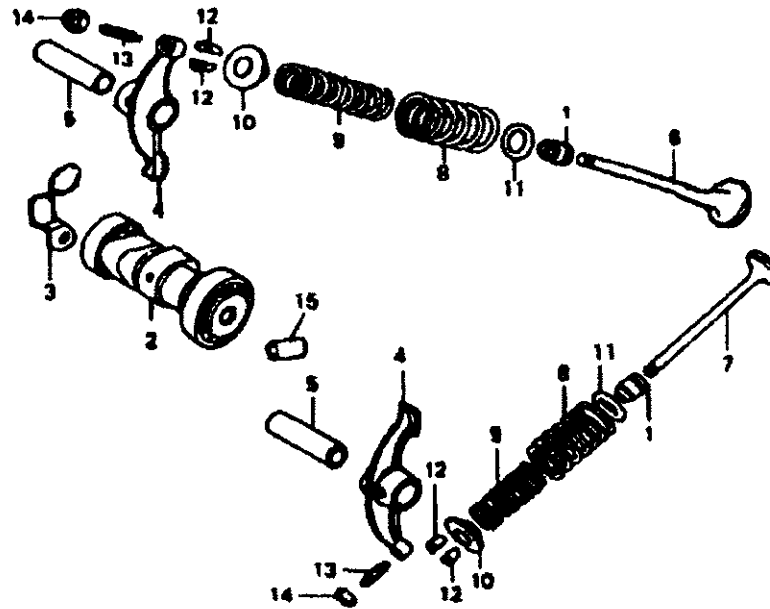
M6x22

Stud M6x22

2

E-3

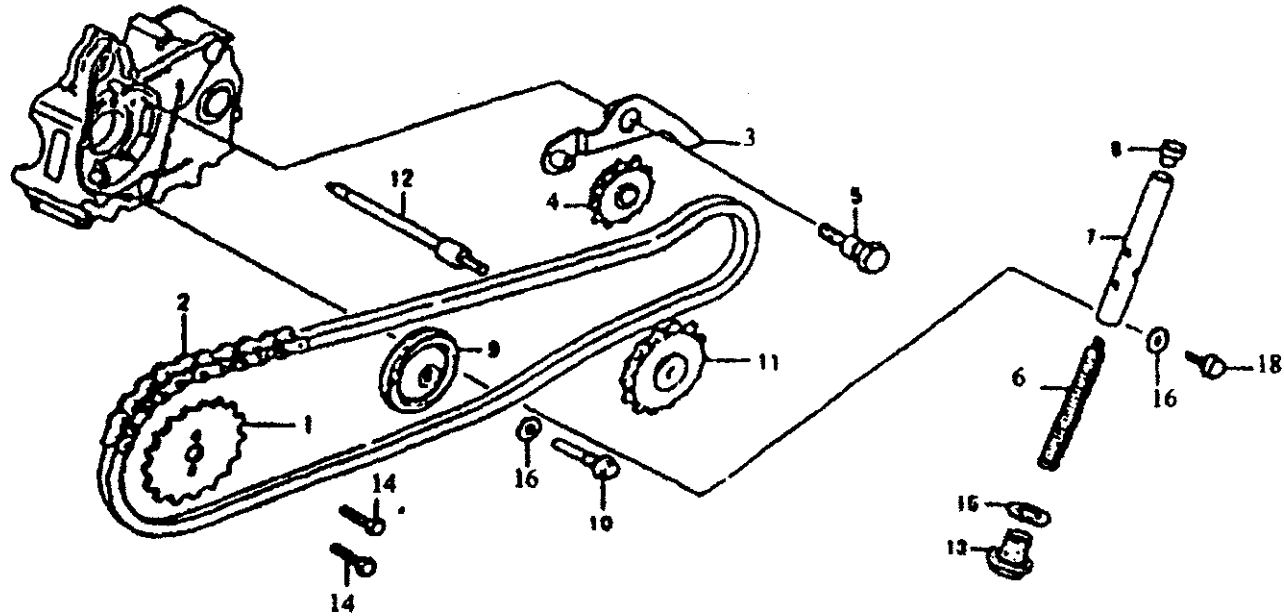
Camshaft & Valve



Ref.No.	Part No.		Description	Quantity	Remark
1	14730		Seal, valve stem	2	
2	14100		Camshaft comp	1	
3	14150		Caging plate comp	1	
4	14411		Valve arm rocker	2	
5	14413		Rocker Shaft	2	
6	14710		Inlet valve	1	
7	14720		Exhaust valve	1	
8	14755		Outer valve spring	2	
9	14756		Inner valve spring	2	
10	14751		Spring seat	2	
11	14753		Outer spring seat	2	
12	14752		Valve cotter	4	
13	14415		Valve adjusting screw	2	
14	14416		Valve adjusting nut	2	
15	14141	8x12	Pin 8x12	1	

E-4

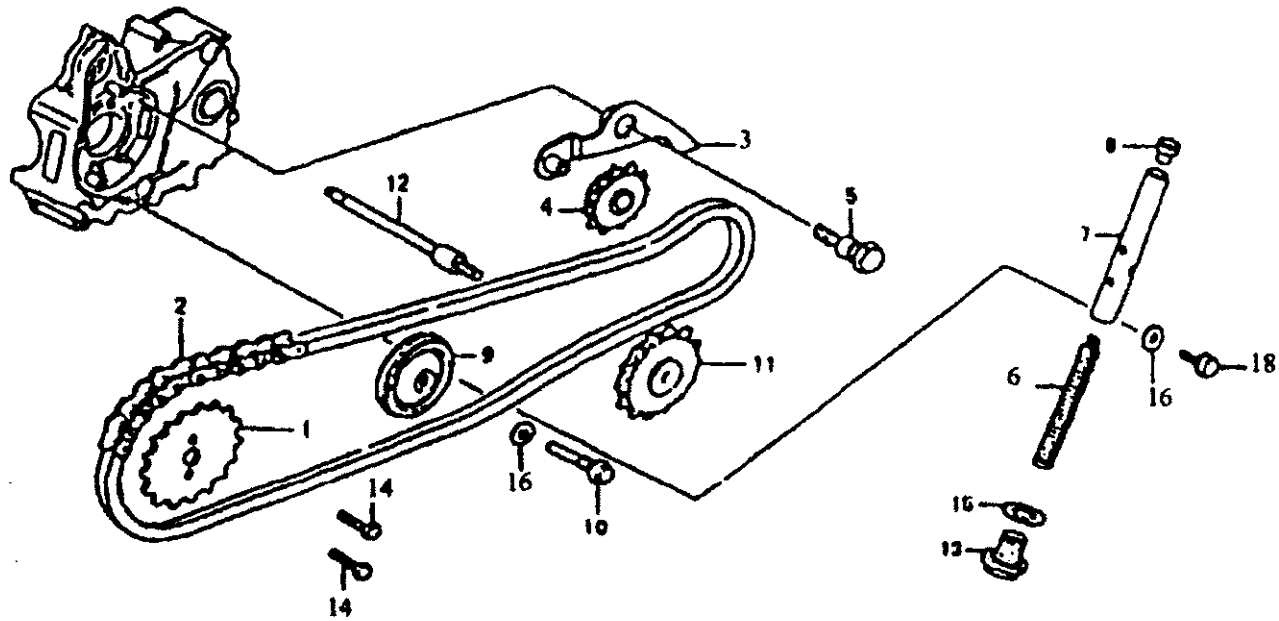
Cam Chain • Tensioner



Ref.No.	Part No.		Description	Quantity	Remark
1	14321	28T	Sprocket (28T)	1	
2	14330		Sprocket chain	1	
3	14510		Chain adjusting set	1	
4	14520		Chain roller	1	
5	14541		Pin	1	
6	14542		Spring	1	
7	14530		Chain tyht set	1	
8	14543		Cap, dust	1	
9	14610		Guide chain roller set	1	
10	14621		Guide chain roller pin	1	
11	15210		Hub dump chain sprocket	1	
12	15221		Hub dump shaft	1	
13	11212	M14x1.5	Sealing plug M14x1.5	1	
14	GB5783-86	M5x12	Bolt, M5x12	2	
15	11213	14	Washer 14	1	

E-4

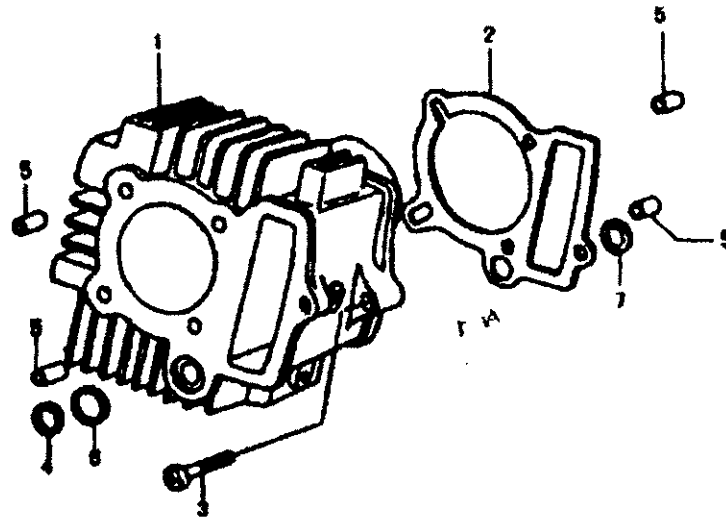
Cam Chain • Tensioner



Ref.No.	Part No.		Description	Quantity	Remark
16	14544	6	Washer 6	1	
17	14622	8	Washer 6	1	
18	GB5783-86	M6x18	Bolt, M6x18	1	

E-5

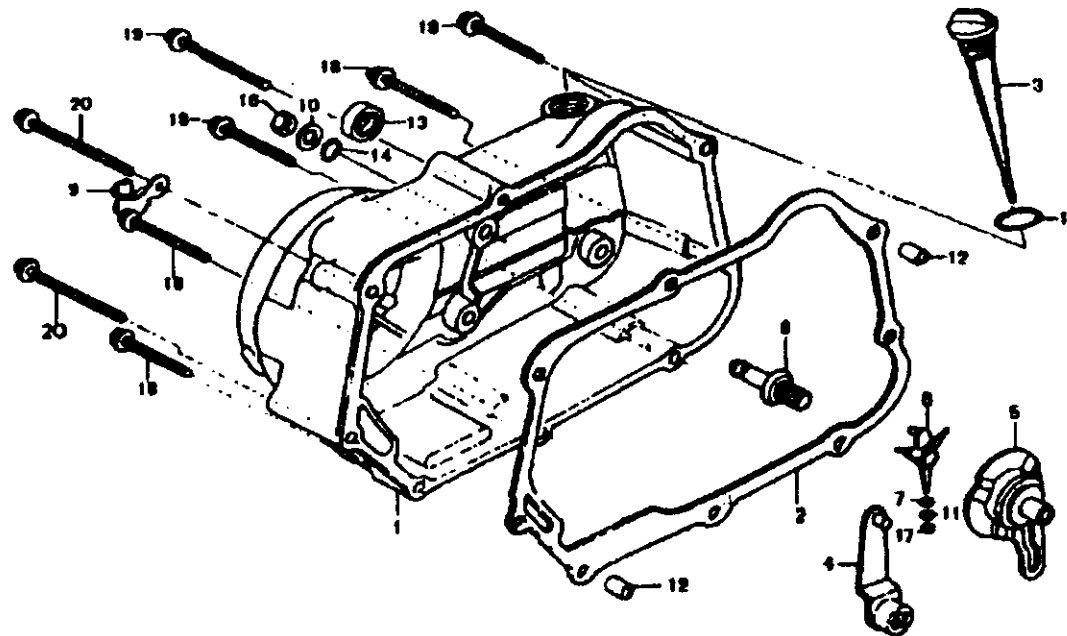
Cylinder



Ref.No.	Part No.		Description	Quantity	Remark
1	12112		Cylinder block	1	
2	12131		Cylinder casket	1	
3	GB5783-86	M6x23	Bolt M6x23	1	
4	12135		Washer	1	
5	12132	8x14	Pin 8x10	4	
6	12133	14.5x2	Sealing washer 14.5x2	1	
7	12134	11.5x2.1	Sealing washer 11.5x2.1	1	

E-6

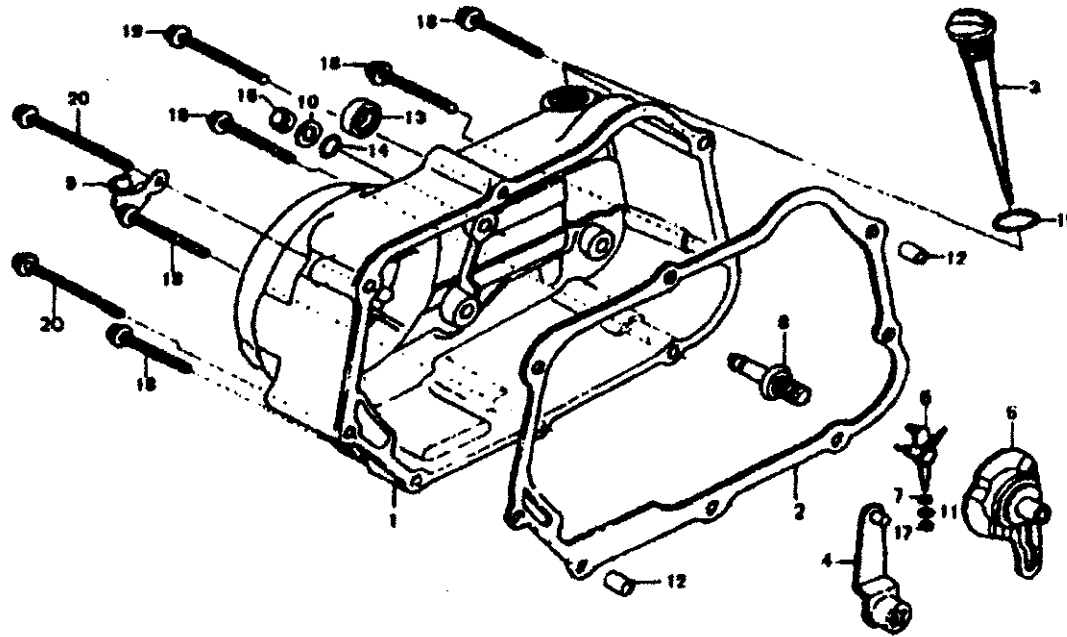
Right crankcase cover



Ref.No.	Part No.		Description	Quantity	Remark
1	11311		Cover comp, R. crankcase	1	
2	11319		Gasket, R. cover	1	
3	15611		Oil level meter	1	
4	22810		Clutch operating set	1	
5	21810		Clutch parts set	1	
6	21820		Tappet	1	
7	21831		Roller	3	
8	21834		Adjust screw	1	
9	34951		Damp	1	
10	21835	8	Washer 8	1	
11	21832		Washer	3	
12	11318	8x12	Pin 8x12	2	
13	27140	13.8x24x5	Oil seal 13.8x24x5	1	
14	21836	8x1.6	O-ring 8x1.6	1	
15	15612	18x3	O-ring 18x3	1	

E-6

Right crankcase cover

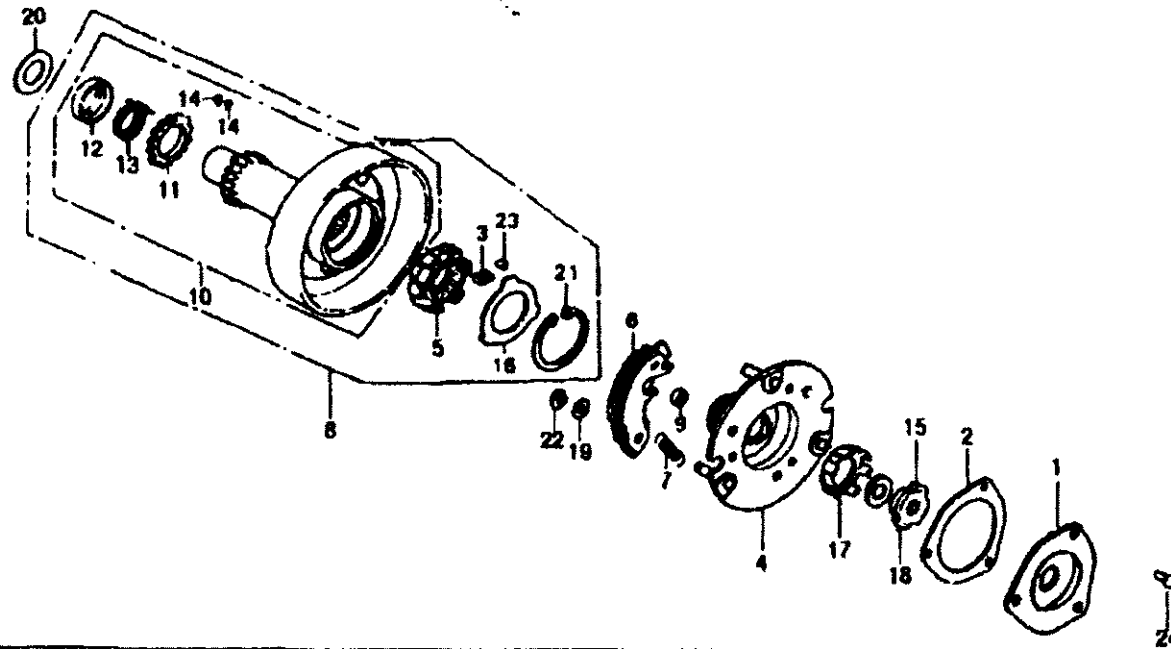


Ref.No.	Part No.		Description	Quantity	Remark
16	21837	M8	Nut M8	1	
17	21833	3	Collar 3	3	
18	GB5783-86	M6x40	Bolt M6x40	5	
19	GB5783-86	M6x65	Bolt M6x65	1	
20	GB5783-86	M6x80	Bolt M6x80	2	

E-7

Primary clutch

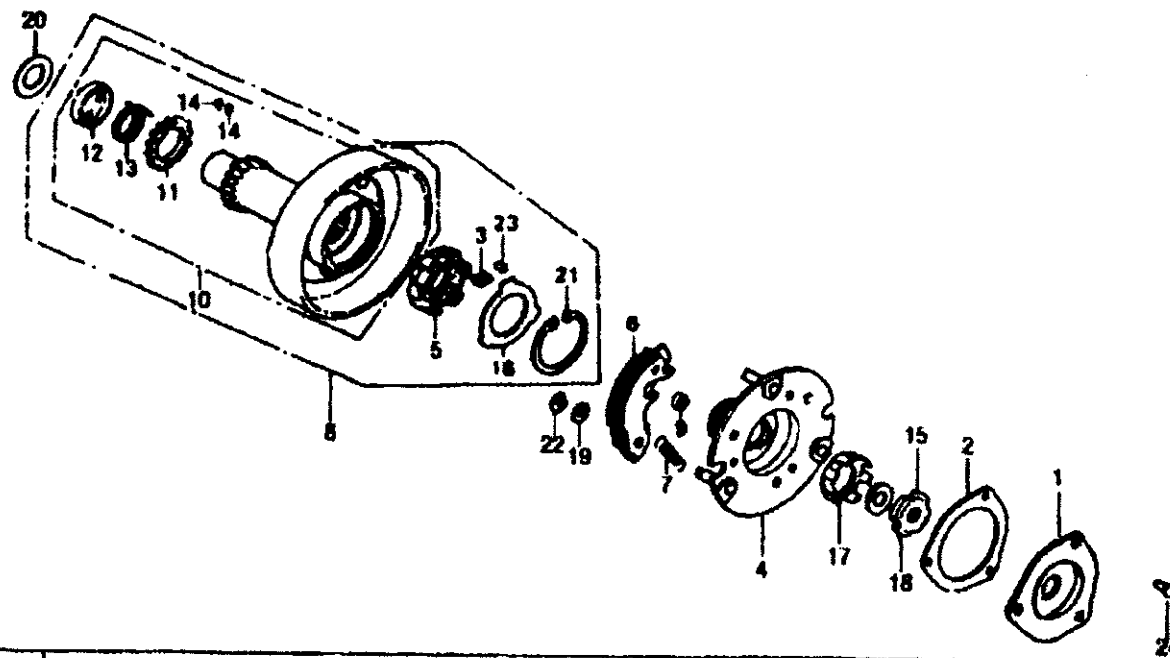
komplet kobling : 292952



Ref.No.	Part No.		Description	Quantity	Remark
1	21151		Clutch cover	1	
2	21152		Gasket	1	
3	21352		Spring	6	
4	21110		Driving part	1	
5	21351		Clutch inner set	1	
6	21120		Clutch block	3	
7	21153		Spring	3	
8	21300		Clutch cover set	1	
9	21154		Damper washer	3	
10	21310		Driving gear set	1	
11	21331	(17T)	Gear (17T)	1	
12	21332		Sleeve	1	
13	21333		Spring	1	
14	21334		Pin	2	
15	21155	BM14x1	Nut BM14 x1	1	

E-7

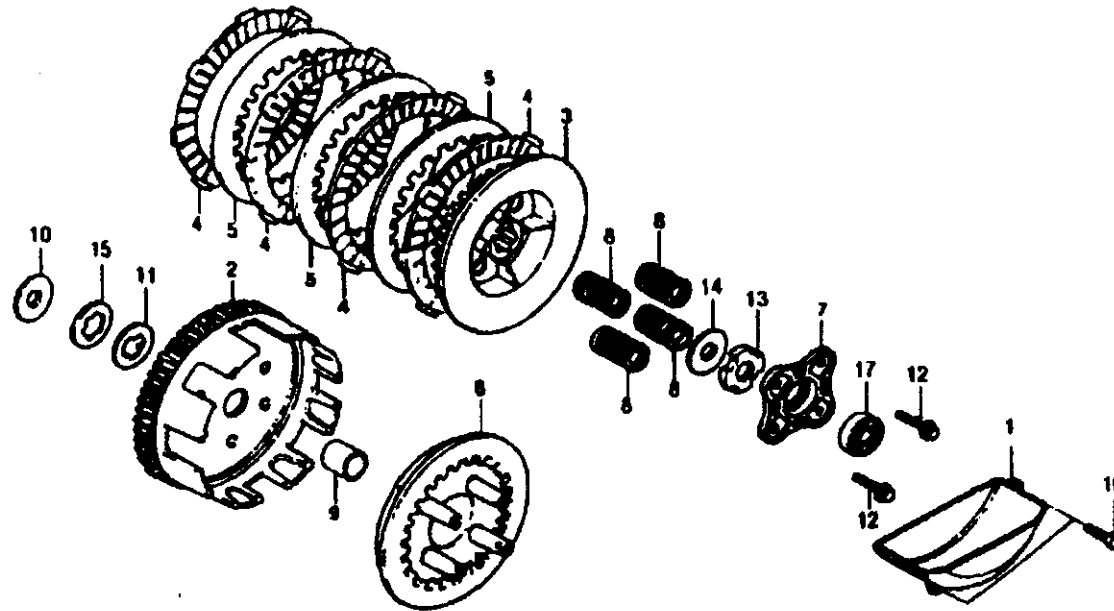
Primary clutch



Ref.No.	Part No.		Description	Quantity	Remark
16	21353	30	Washer 30	1	
17	21156		Washer	1	
18	21159		Washer B	1	
19	21161	8	Washer 8	3	
20	21162	19	Washer 19	1	
21	21354	45	Collar 45	1	
22	21163	7	Collar 7	3	
23	21355	5x8	Roller 5x8	6	
24	GB818-85	M5x6	Screw M5x6	3	

E-8

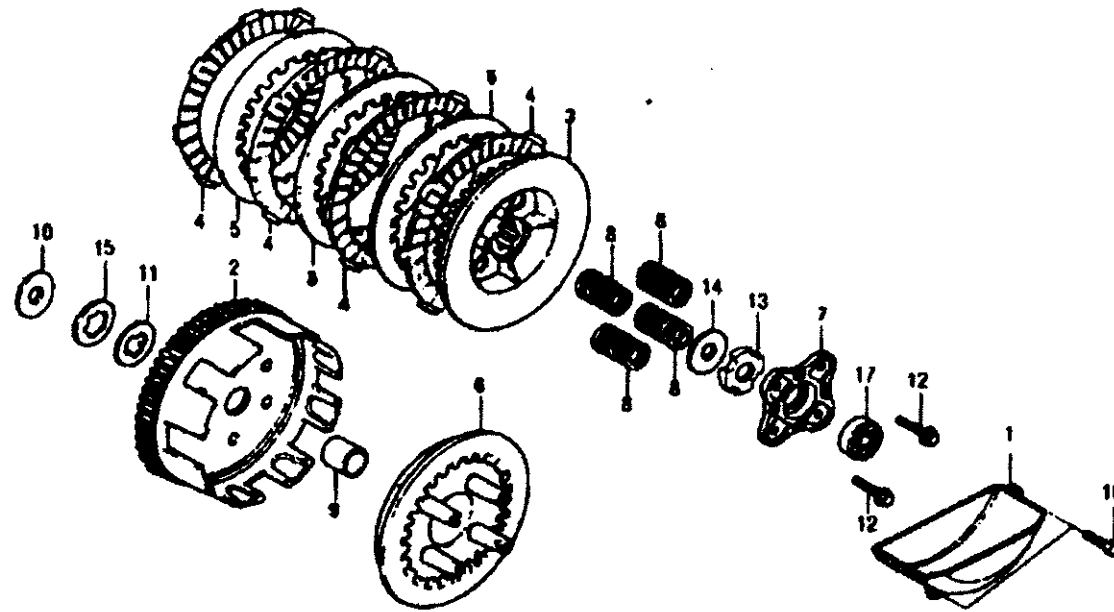
Clutch



Ref.No.	Part No.		Description	Quantity	Remark
1	22378		Defending oil cover	1	
2	22100		Driving gear comp	1	
3	22320		Driving gear comp	1	
4	22330		Friction plate	4	
5	22341		Friction plate	3	
6	22351		Friction pressure plate,	1	
7	22361		Friction lifter plate,	1	
8	22371		Clutch spring	4	
9	22373		Clutch bush	1	
10	22374		Spacer	1	
11	22375		Dowel ring	1	
12	GB5783-86	M6x22	Bolt M6x22	4	
13	22376	M14	Lock nut M14	1	
14	22377	B	Clutch locking washer,	1	
15	22372	B17	Washer	1	

E-8

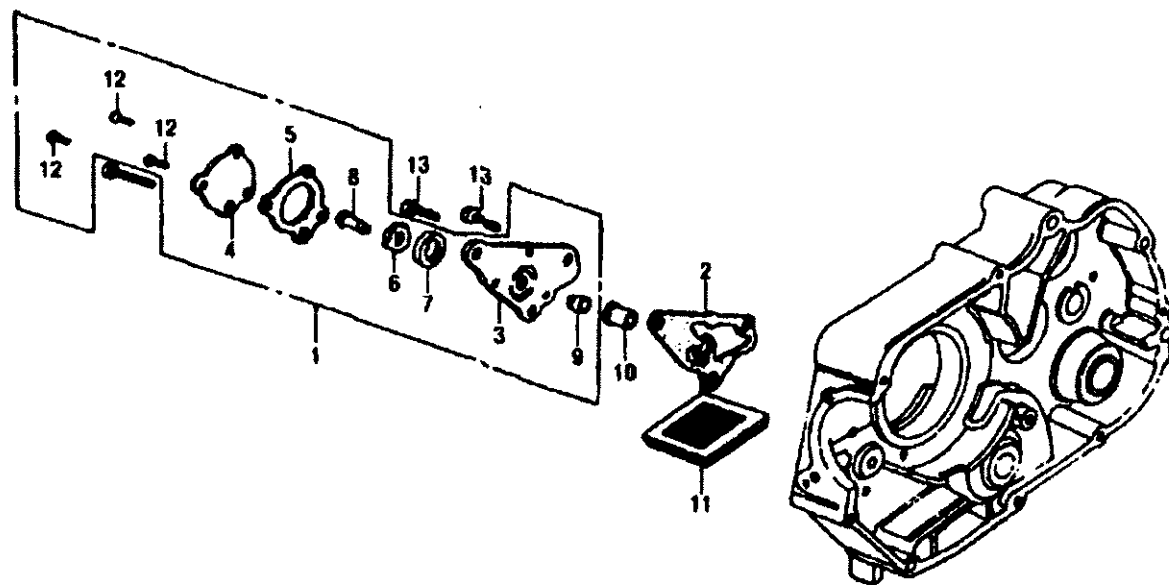
Clutch



Ref.No.	Part No.		Description	Quantity	Remark
16	GB5783-86	M6x20	Bolt M6x20	2	
17	GB276-64	100	Bearing 100	1	

E-9

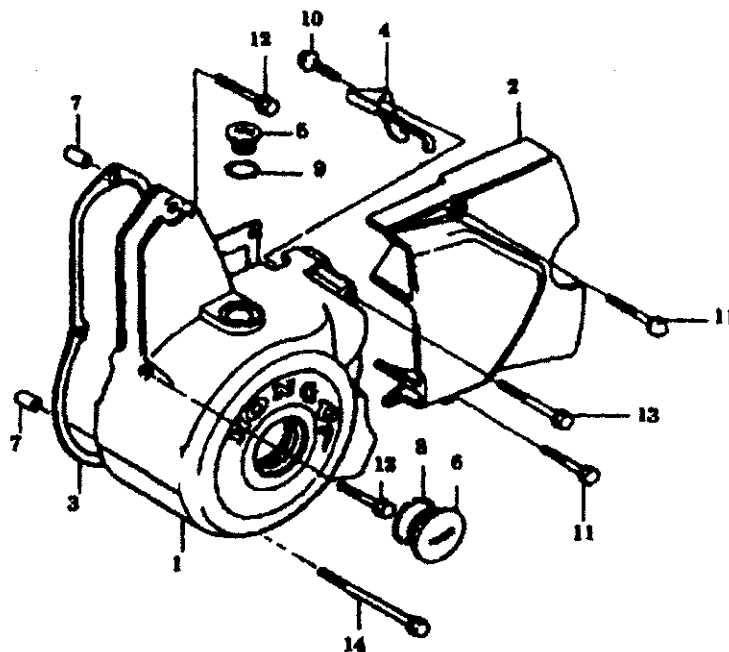
Oil pump



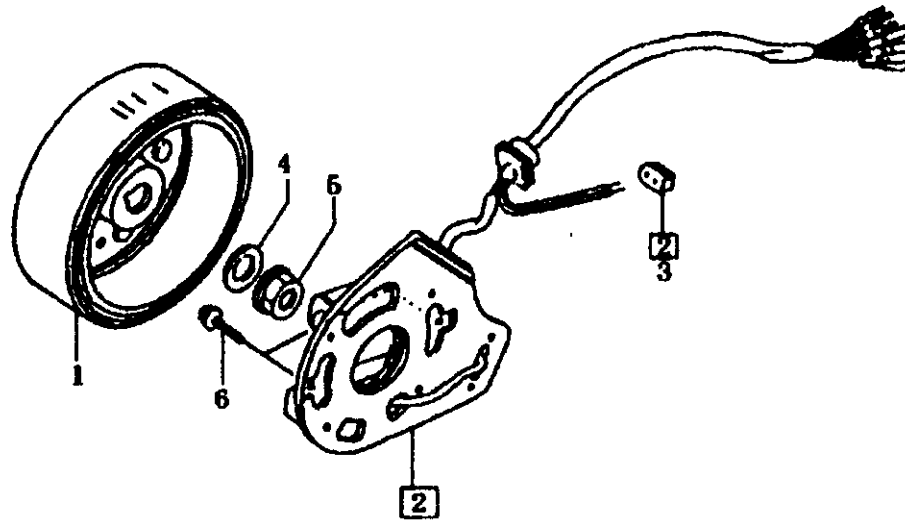
Ref.No.	Part No.		Description	Quantity	Remark
1	15100		Oil pump Assy.	1	
2	15131		Oil pump gasket	1	
3	15111		Oil pump body	1	
4	15112		Oil pump cover,	1	
5	15113		Oil pump cover gasket,	1	
6	15114		Oil pump inner rotor	1	
7	15115		Oil pump outer rotor	1	
8	15116		oil pump shaft	1	
9	15117		Sleeve	1	
10	15132		Sleeve	1	
11	15450		Oil set	1	
12	GB818-85	M5x10	Screw M5x10	3	
13	GB818-85	M6x16	Screw M6x16	2	
14	GB818-85	M6x22	Screw M6x22	1	

E-10

Left crankcase cover

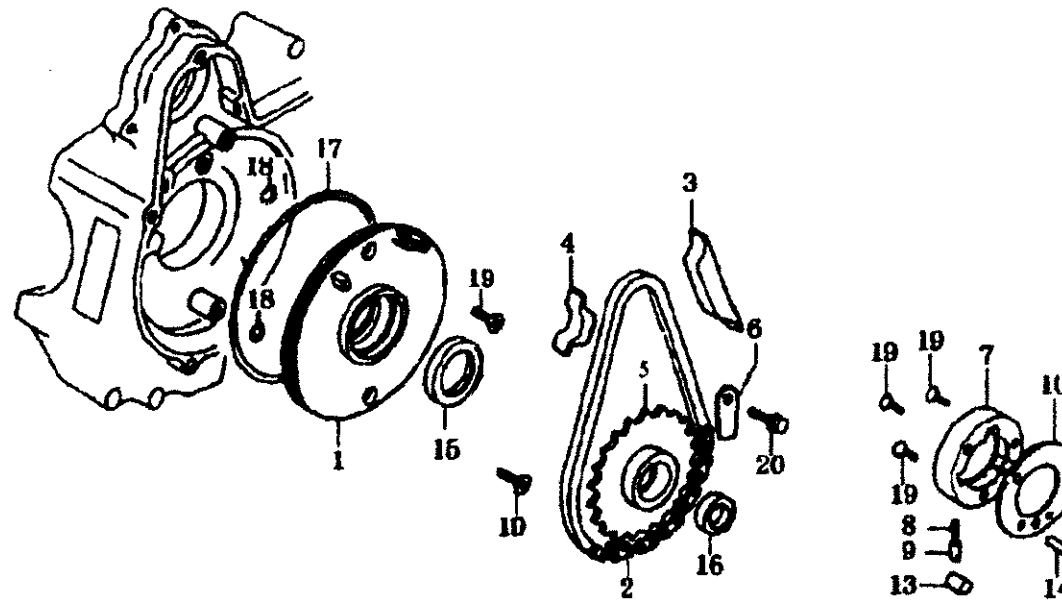


Ref.No.	Part No.		Description	Quantity	Remark
1	11411		Front L. crankcase cover	1	
2	11451		Rear L. crankcase cover ,	1	
3		Use liquide gasket.	Left cover gasket,	1	
4	32918		Clamp	1	
5	11412		Cap	1	
6	11413		Cap	1	
7	11418	8x12	Dowel pin 8x12	2	
8	11415	27x2.0	O-ring 27x2.0	1	
9	11414	13.8x2.5	O-ring 13.8x2.5	1	
10	GB5783-86	M6x16	Flange bolt M6x16	1	
11	GB5783-86	M6x28	Flange bolt M6x28	2	
12	GB5783-86	M6x32	Flange bolt M6x32	2	
13	GB5783-86	M6x50	Flange bolt M6x50	1	
14	GB5783-86	M6x70	Flange bolt M6x70	1	

E-11**Magnetic motor**

Ref.No.	Part No.		Description	Quantity	Remark
1	31100		Rotor Assy.	1	
2	31200		Base Assy.	1	
3	35725		Neutral switch ring	1	
4	31196	10	Gasket 10	1	
5	31197	M10	Flange nut M10	1	
6	GB5783-86	M6x10	Flange bolt M5x16	2	

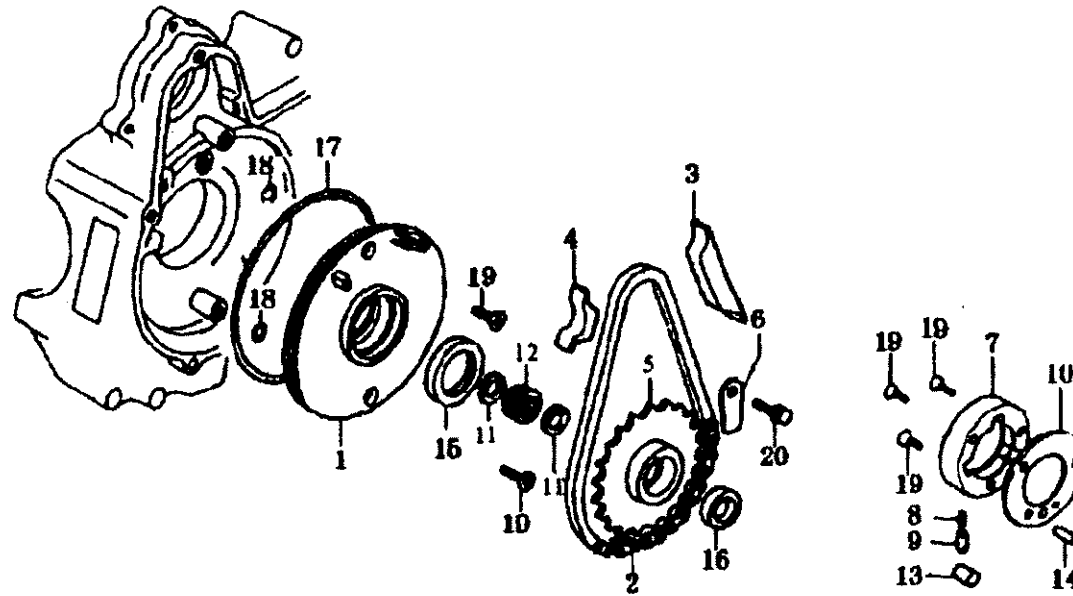
Starting clutch



Ref.No.	Part No.		Description	Quantity	Remark
1	28173		Disk insulator	1	
2	28410	62T	Chain, start 62T	1	
3	28421		Guide, start chain	1	
4	28422		Guard, start chain	1	
5	28150		Plate, start chain	1	
6	28171		Sprocket, start clutch	1	
7	28110		Case comp. start clutch	1	
8	28121		Spring	3	
9	28122		Cap, spring	3	
10	28124		Side plate, start clutch	1	
11	28172	23	Collar 23	2	
12	28180	19x23x13	Needle bearing 19x23x13	1	
13	28123	10x10	Roller 10x10	3	
14	28124	5x11.8	Roller 5x11.8	1	
15	28250	30x42x4.5	Seal ring 30x42x4.5	1	

E-12

Starting clutch



Ref.No.

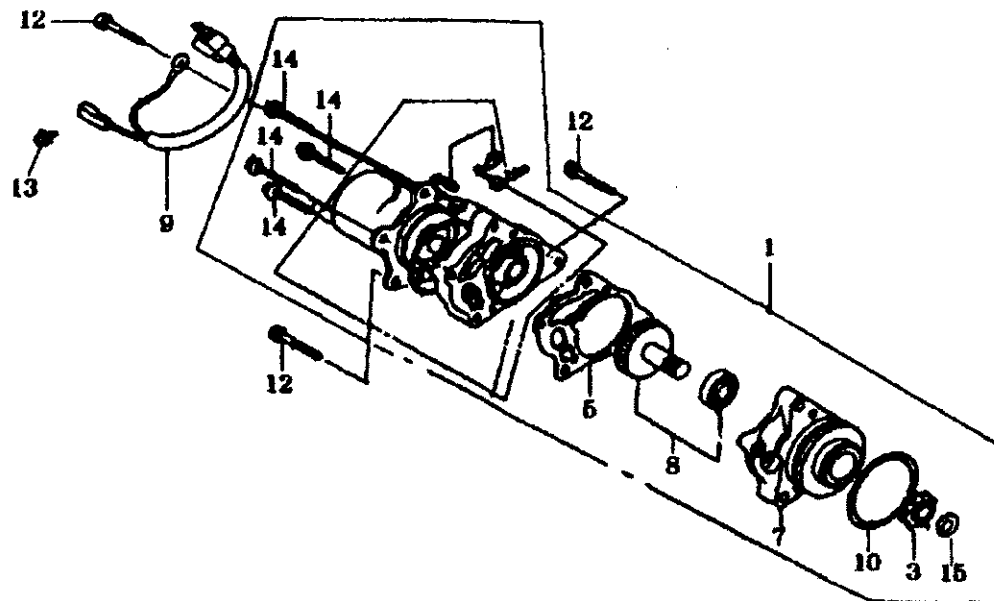
Part No.

Description

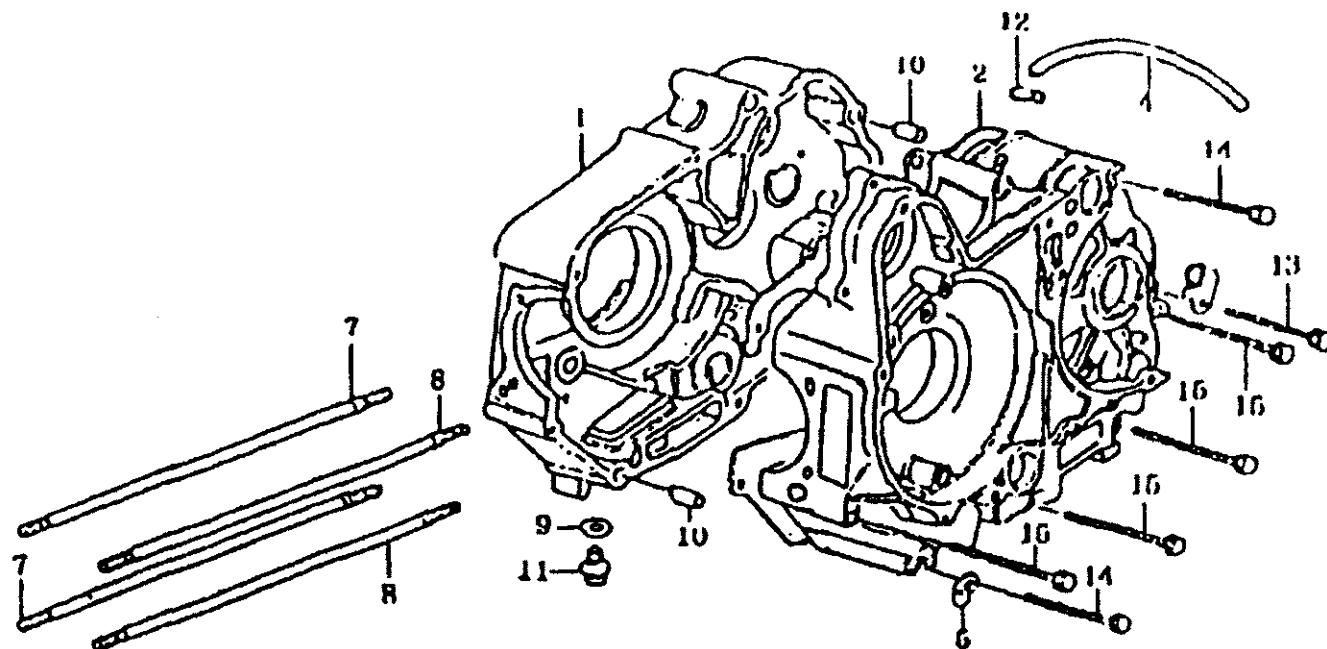
Quantity

Remark

16	28260	18.9x28x5	Seal ring 18.9x28x5	1	
17	28174	107x2	O-ring 107x2	1	
18	28175	6x1.7	O-ring 6x1.7	2	
19	GB819-85	M6x16	Screw M6x16	5	
20	GB5783-86	M6x10	Screw M6x10	1	



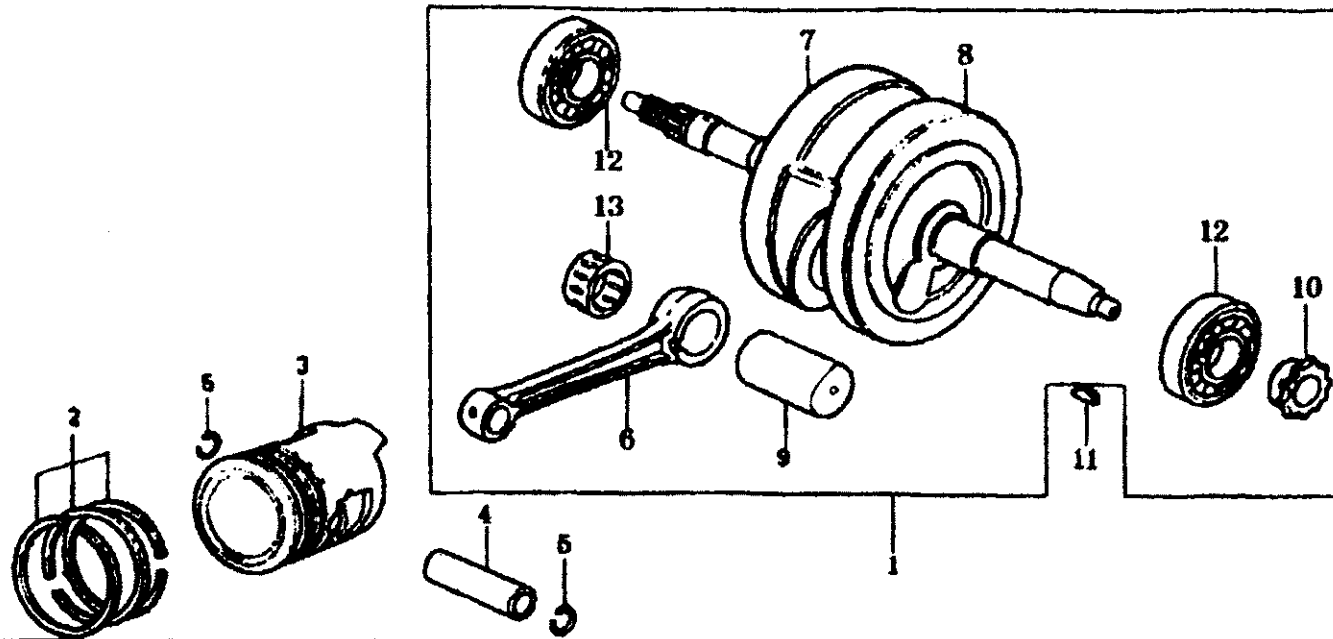
Ref.No.	Part No.		Description	Quantity	Remark
1	34700		Starting motor Assy.	1	
3	34701		Small sprocket	1	
5	34702		Seal washer	1	
6	34703		Motor comp	1	
7	34704		Front block	1	
8	34705		Gear comp	1	
9	34706	A	Cable A	1	
10	34707	A	O-ring A	1	
12	GB5783-86	M6x45	Bolt M6x45	3	
13	34708	M4x6	Screw with washer M4x6	1	
14	34709	M5x30	Screw with washer M5x30	4	
15	GB894.1-86	12	Collar 12	1	



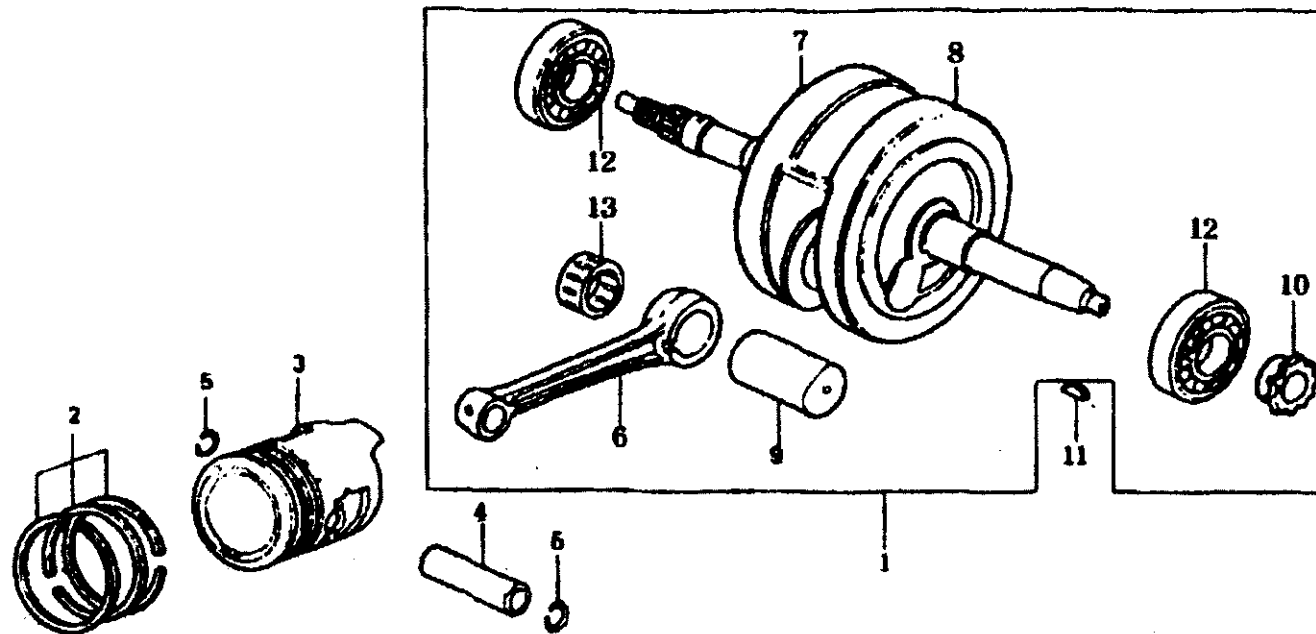
Ref.No.	Part No.		Description	Quantity	Remark
1	11210		Right crankcase block	1	
2	11012		Gasket crankcase	1	
3	11110		Left crankcase block	1	
4	20152		Air pipe	1	
5	20154		Clamp	1	
6	20153		Clamp	1	
7	12342	A	Bolt A, cylinder stud	2	
8	12343	B	Bolt B, cylinder stud	2	
9	11261		Washer	1	
10	11218	10x14	Dower pin 10x14	2	
11	11262	M12x1.5	Drain plug M12x1.5	1	
12	20155	C9	Lock ring C9	1	
13	GB5783-86	M6x50	Crown bolt M6x50	1	
14	GB5783-86	M6x60	Crown bolt M6x60	2	
15	GB5783-86	M6x65	Crown bolt M6x65	4	

E-15

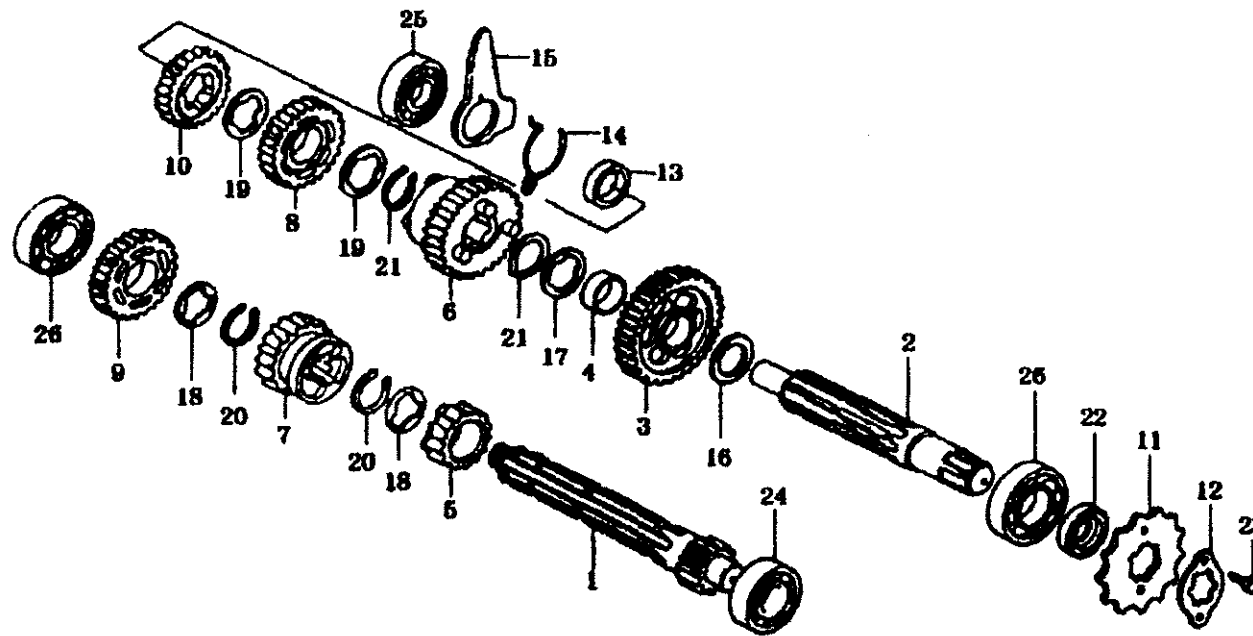
Crankshaft . Piston



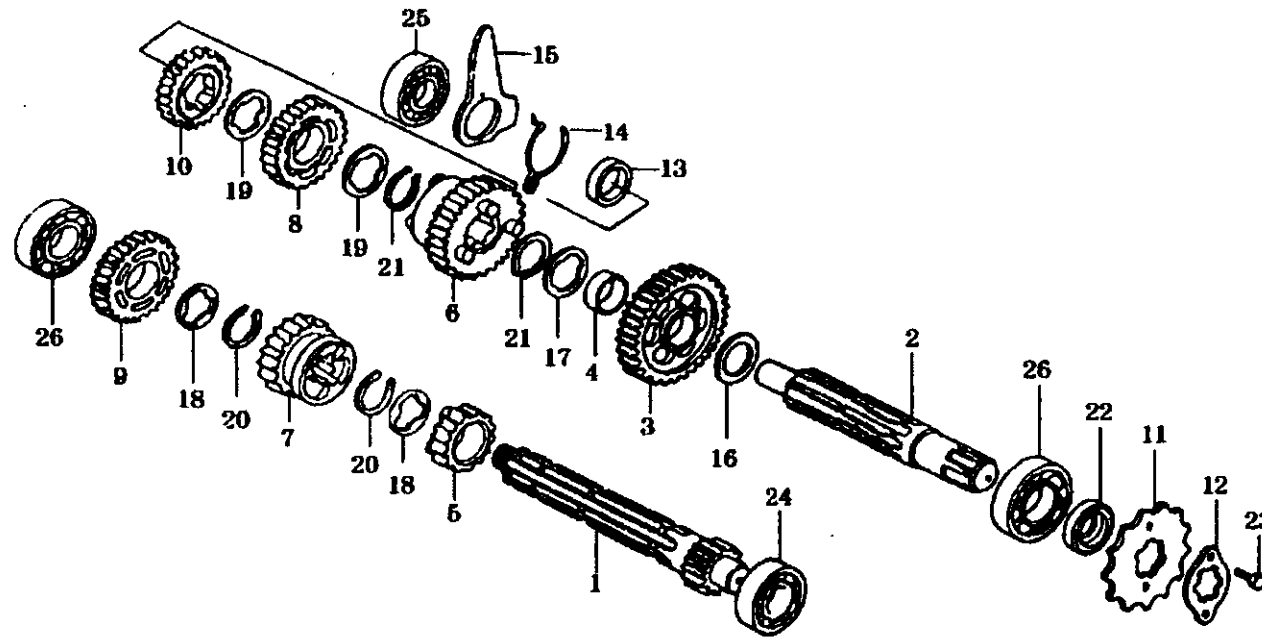
Ref.No.	Part No.	Description	Quantity	Remark
1	13100	Crankshaft comp	1	
2	13311	Ring set, piston	1	
	13312	Ring set (first)	1	
	13220	Ring set (second)	1	
	13220	Ring set (oil)	1	
3	13211	Piston	1	
4	13221	Pin piston	1	
5	13222	Clip, piston pin	2	
6	13131	Rod, connecting	1	
7	13120	Right crankshaft set	1	
8	13111	Left crankshaft	1	
9	13140	Shaft pin	1	
10	14311	Sprocket , timing	1	
11	13118	Key	1	
12	GB276-	Bearing 304	2	



Ref.No.	Part No.		Description	Quantity	Remark
13	13150 13150 13150		Pin roller bearing (red) Pin roller bearing (blue) Pin roller bearing (white)	1 1 1	

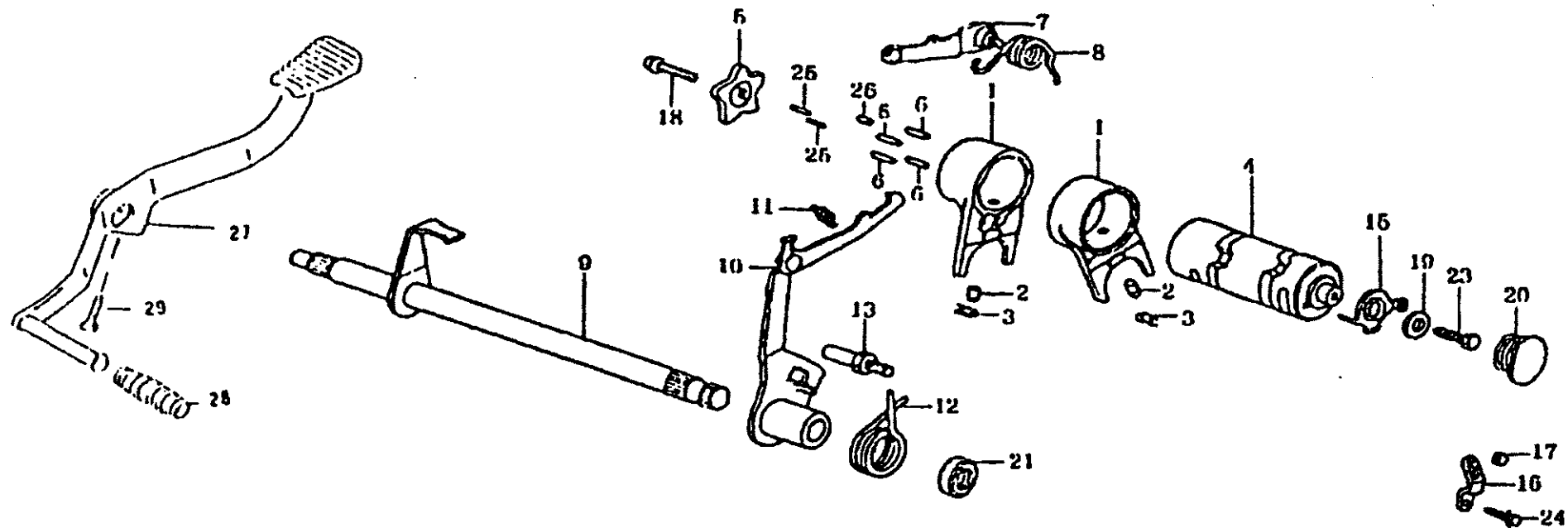


Ref.No.	Part No.		Description	Quantity	Remark
1	23611	12T	Main shaft, transmission 12T	1	
2	23771		Countershaft transmission	1	
3	23711	34T	Gear, countershaft, first sleeve	1	
4	23712	20x9	Sleeve 20x9	1	
5	23621	17T	Gear, main shaft second 17T	1	
6	23721	29T	Gear, countershaft second 29T	1	
7	23631	21T	Gear, main shaft third 21T	1	
8	23731	26T	Gear, countershaft third 26T	1	
9	23641	24T	Gear, main shaft fourth 24T	1	
10	23741	23T	Gear, countershaft fourth 23T	1	
11	22711		Driving sprocket	1	
12	22712		Fix plate	1	
13	23776		Sleeve	1	
14	23777		Damper spring	1	
15	23778		Drum locate plate	1	



Ref.No.	Part No.		Description	Quantity	Remark
16	23772	17	Thrust washer 17	1	
17	23773	20	Spline washer 20	1	
18	23672	17	Spline washer 17	2	
19	23774	20	Spline washer 20	2	
20	23673	17	Collar 17	2	
21	23775	20	Collar 20	2	
22	23790	17x29x5	Oil seal 17x29x5	1	
23	GB5783-86	M6x8	Bolt M6x8	2	
24		6001	Bearing 6001 (Needle bearing)	1	
25		6201	Bearing 6201	1	
26		6203	Bearing 6203	2	

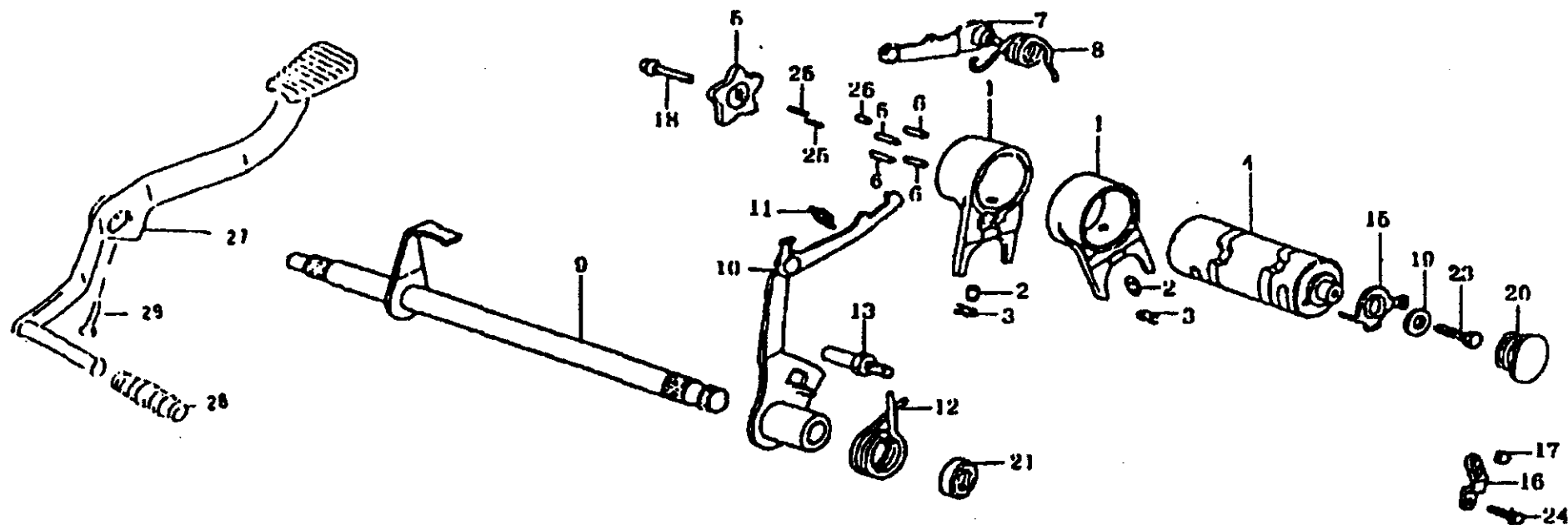
Transmission drum



Ref.No.	Part No.	Description	Quantity	Remark
1	24411	Transmission fork	2	
2	24414	Guide pin	2	
3	24415	Clamp	2	
4	24211	Drum, gearshift	1	
5	24221	Cam, gearshift	1	
6	24416	Pin, gearshift drum	4	
7	24310	Plate, gearshift	1	
8	24331	Spring ,gearshift plate return	1	
9	24110	Spindle comp, gearshift	1	
10	24120	Arm comp, gearshift	1	
11	24125	Spring gearshift arm	1	
12	24131	Spring gearshift arm return	1	
13	24133	Bolt, spring return	1	
14	35710	Switch, gearshift	2	
15	35721	Rotor, neutral switch	1	

E-17

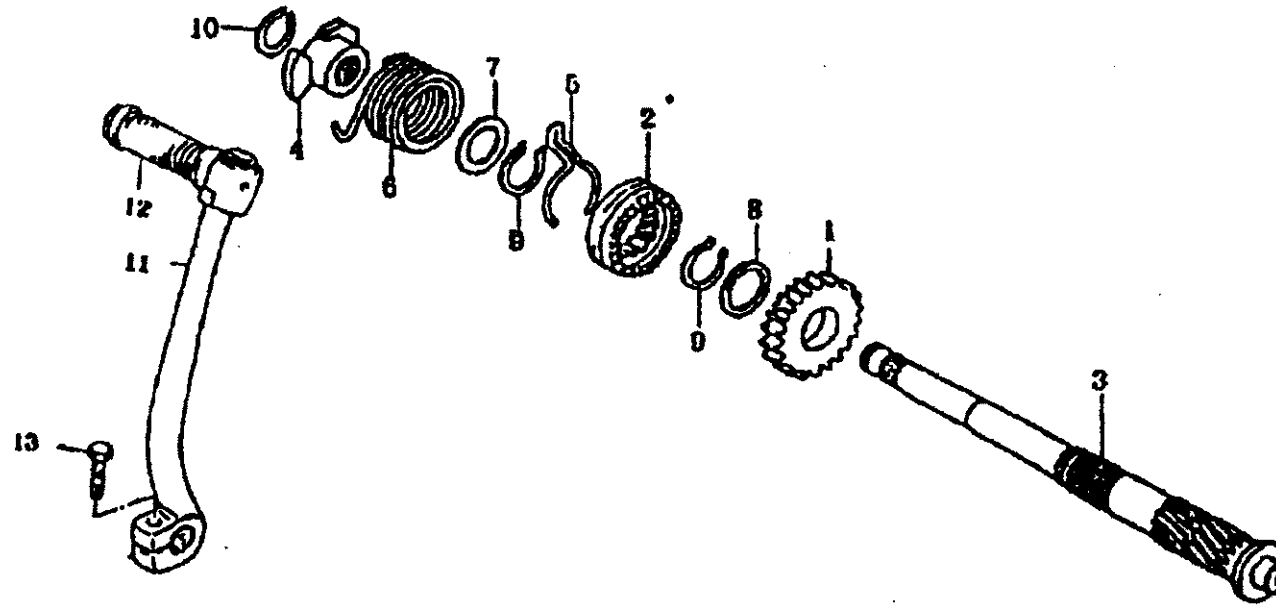
Transmission drum



Ref.No.	Part No.		Description	Quantity	Remark
16	35722		Locate plate	1	
17	35723		Cap, gearshift switch	1	
18	GB5783-86	M6x16	Bolt M6x16	1	
19	24417		Washer, gearshift switch	1	
20	24418		Rubber cap	1	
21	24150	11.6x24x10	Oil seal 11.6x24x10	1	
22	35724	7x1.7	O-ring 7x1.7	2	
23	GB5783-86	M6x16	Bolt M6x16	1	
24	GB5787-86	M6x12	Bolt M6x12	1	
25	GB119-86	φ3x8.5	Needle φ3x8.5	2	
26	GB119-86	φ4x10	Needle φ4x10	1	
27	24510		Lever Assy, Gear Shift	1	
28	24511		Rubber	1	
29	GB5783-86	M6 x 20	Bolt M6 x 20	1	

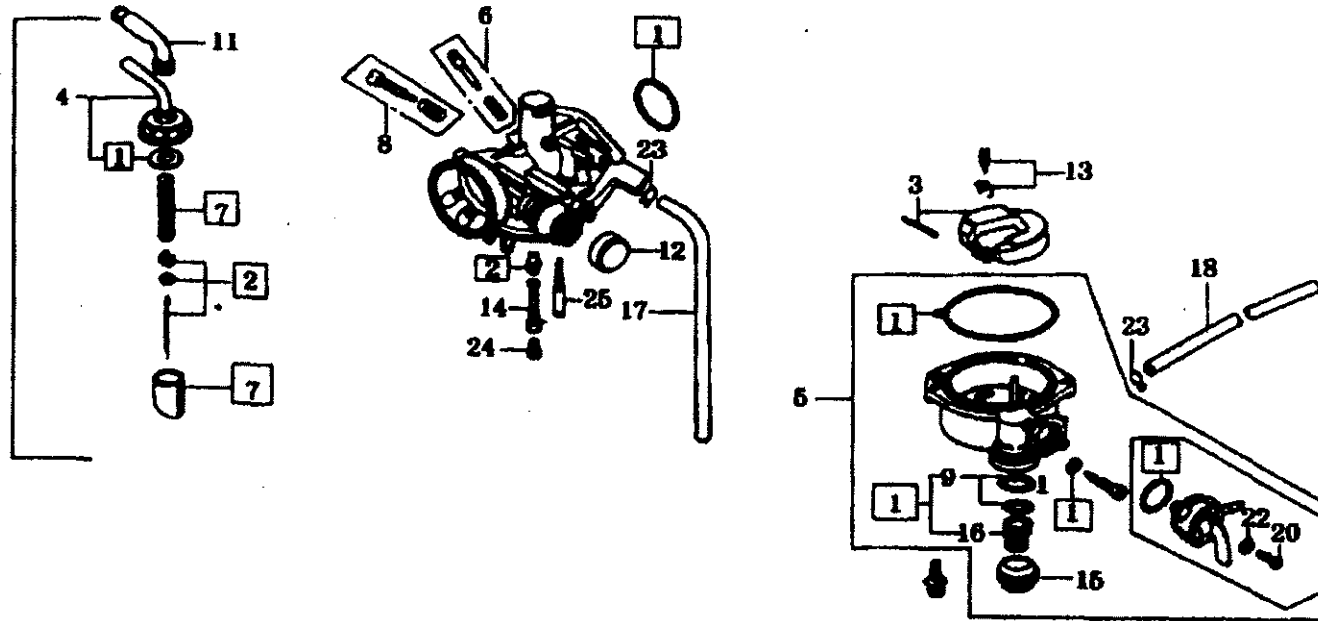
E-18

Kick starter spindle



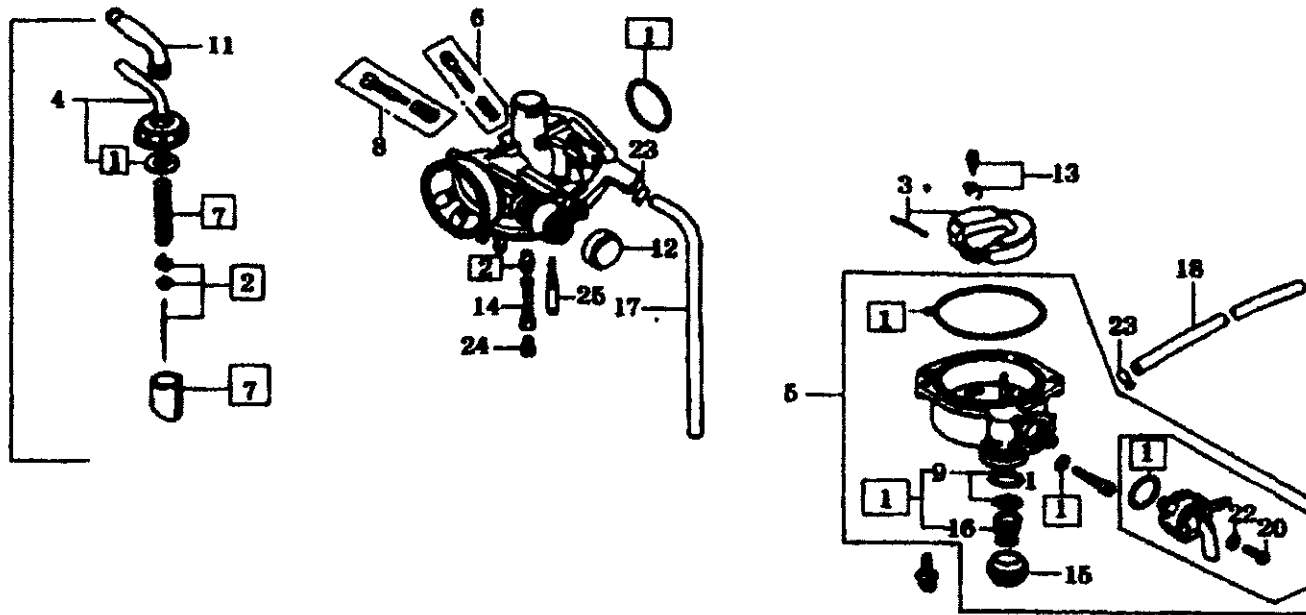
Ref.No.	Part No.		Description	Quantity	Remark
1	27112	22T	Pinion, kick starter 22T	1	
2	27113		Ratchet kick starter	1	
3	27111		Spindle kick starter	1	
4	27117		Base comp. spring	1	
5	27114		Spring, kick starter pinion	1	
6	27118		Spring, spindle return	1	
7	27115	17	Washer 17	1	
8	27116	20	Thrust washer 20	1	
9	27119	20	Collar 20	2	
10	27121	16	Collar 16	1	
11	27122		Arm	1	
12	27123		Pedal	1	
13	27124		Bolt	1	

Carburetor



Ref.No.	Part No.	Description	Quantity	Remark
1	16100	Gasket comp	1	
2		Needle set	1	
3		Float set	1	
4		Cap, valve set	1	
5		Chamber set, float	1	
6		Screw A	1	
7		Valve set	1	
8		Screw B	1	
9		Gasket B	1	
10		Carburetor Assy.	1	
11		Cap, cable sealing	1	
12		Dust seal	1	
13		Pin, float	1	
14		Holder, needle jet	1	
15		Cap, filter	1	

Carburetor



Ref.No.	Part No.	Description	Quantity	Remark
16		Filter, fuel	1	
17		Tube, breather	1	
18		Tube overflow	1	
19		Cock fuel	1	
20	M3x12	Bolt M3x12	1	
21	M4x18	Screw with washer M4x18	1	
22	3	Washer 3	1	
23	B6.5	Lock ring (B6.5)	1	
24	#75	Main fuel hole #75	1	
25	#40	Idle spray tube #40	1	

1



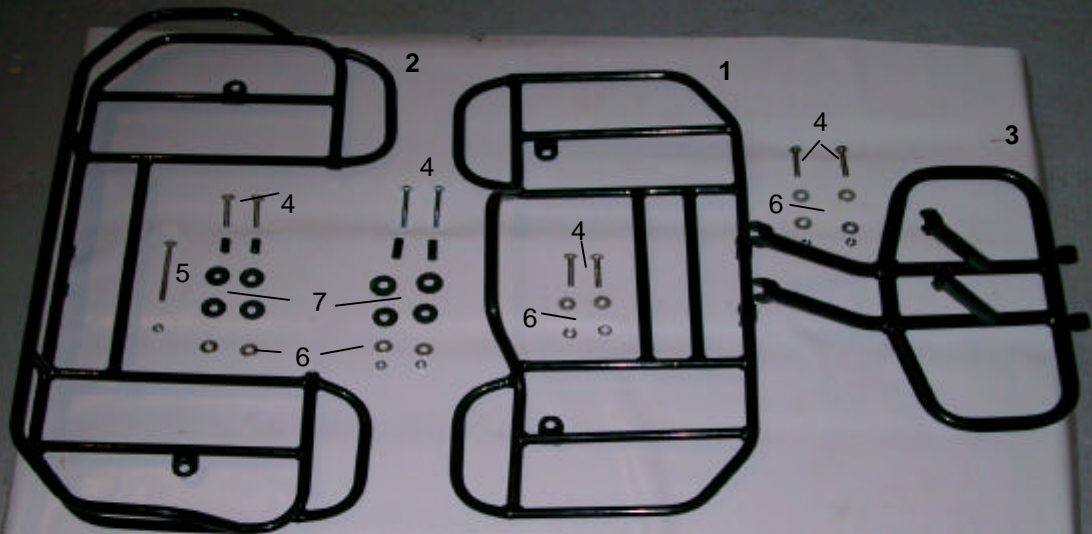
2



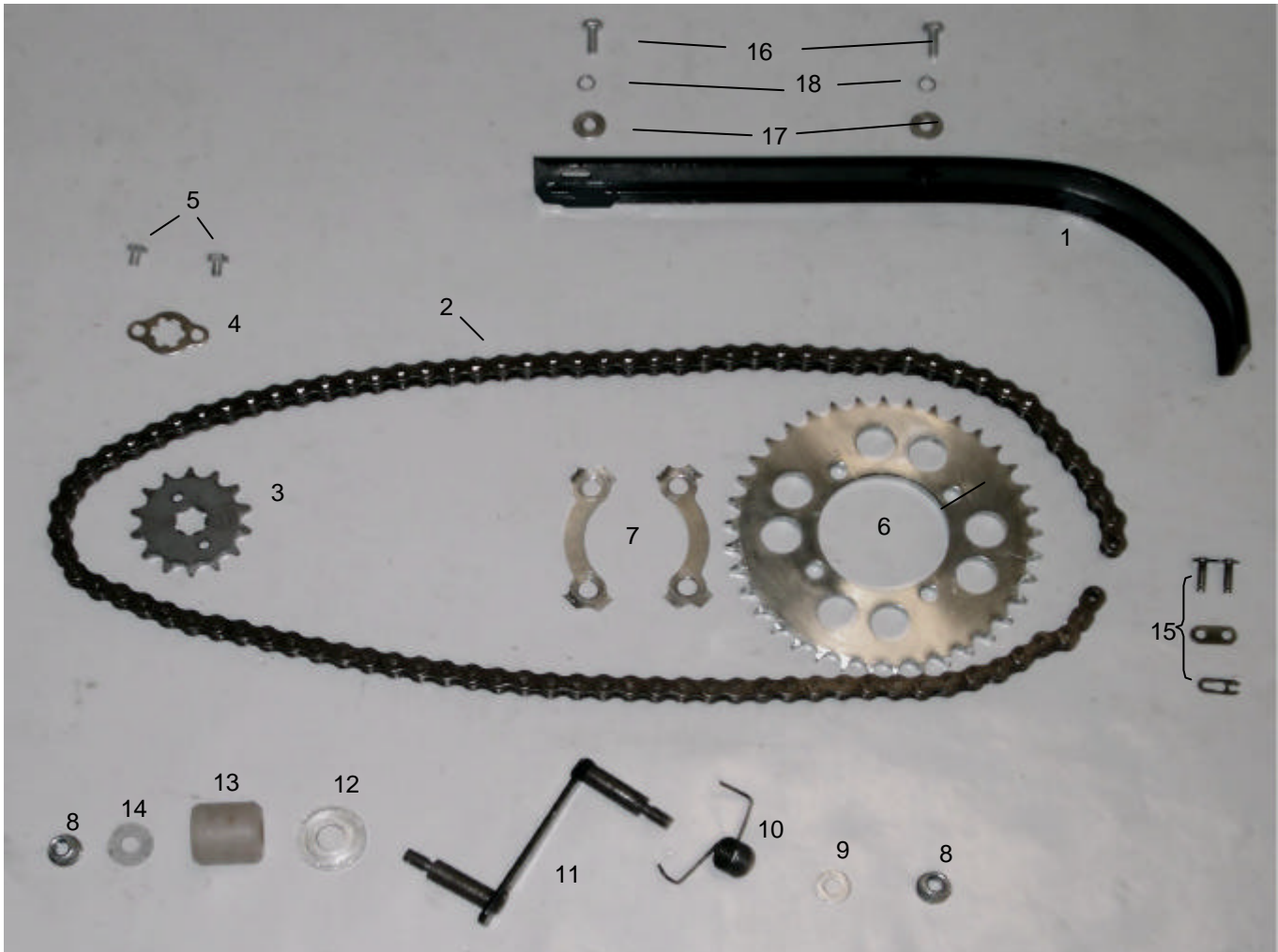
No	Part.nr	Description	Q`ty	Remarks
1	C91-33005	Air cleaner	1	Assy
2	C91-33006	Air Filter	1	



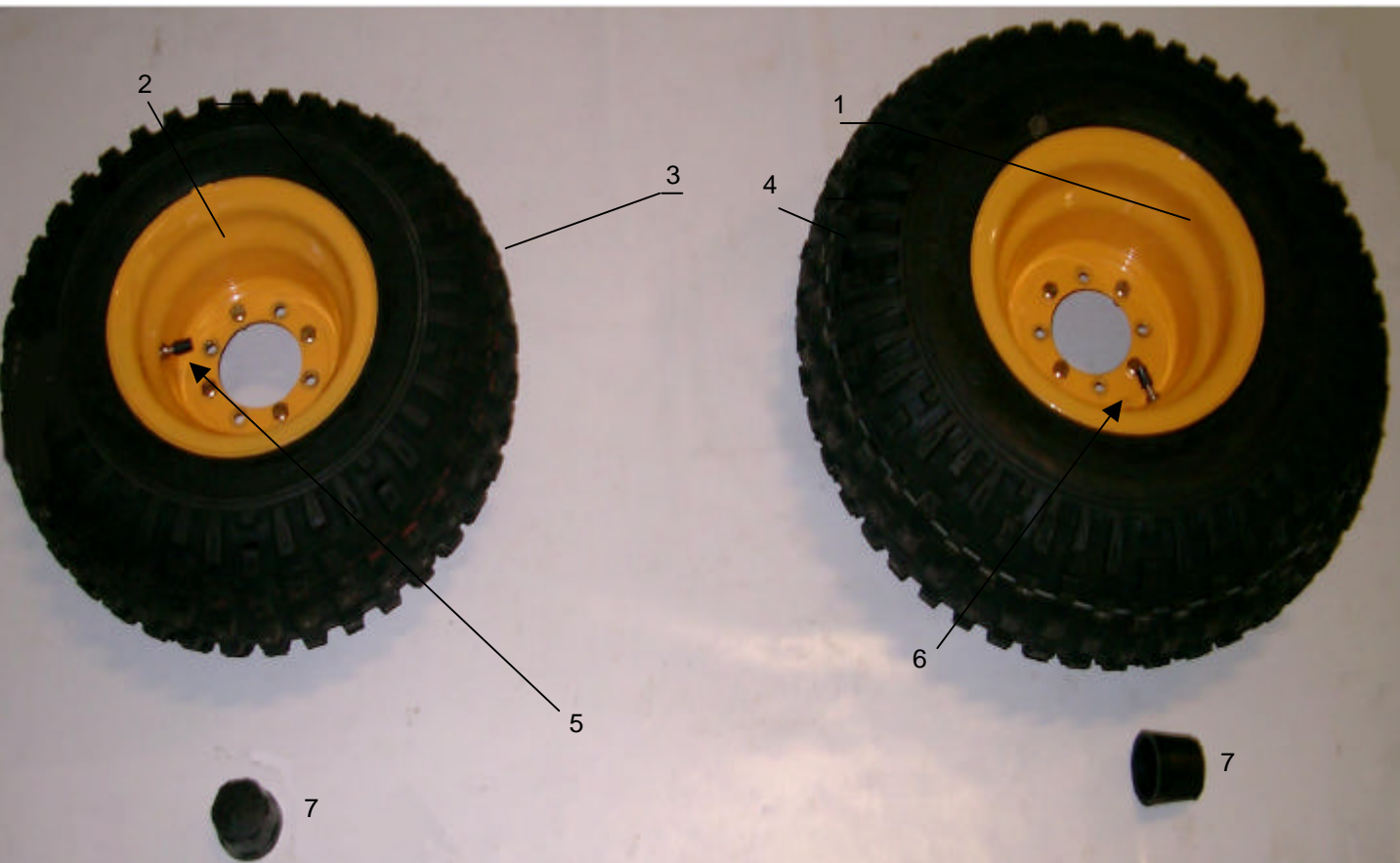
No.	Part,No	Description	Q'ty	Remarks	No.	Part,No	Description	Q'ty	Remarks
1	C90-10000	Front cover	1		3	90102746	Bolt	4	M8x30
2	C90-20000	Rear cover	1		4	C91-2000	Rubber washer	4	
2A	90102730	Bolt	4	M6x35	5	90102198	Lock Washer	4	Ø8
2B	90102309	Washer	4	Ø6	6	90102310	Washer	4	Ø8



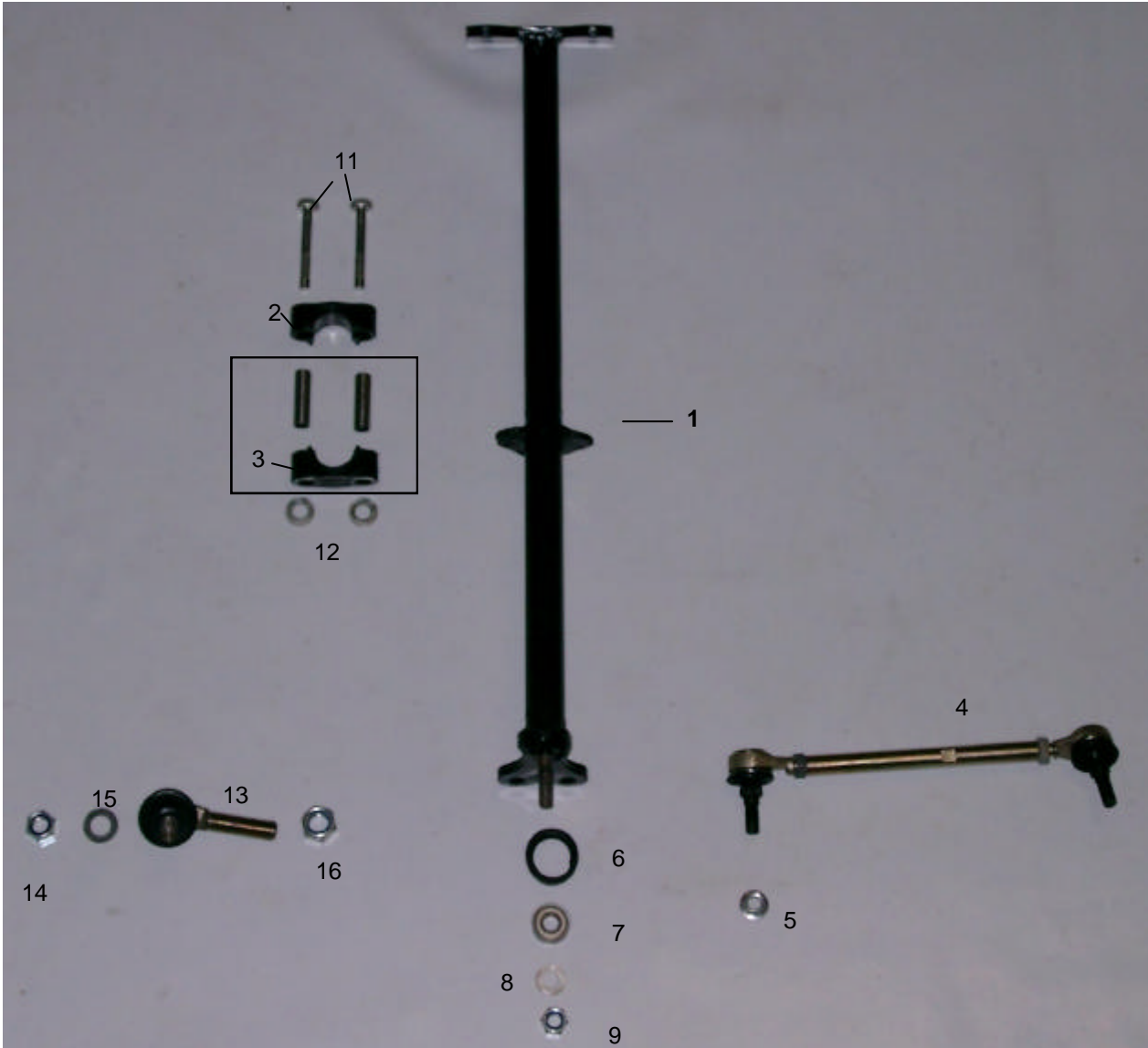
No.	Part,No	Description	Q'ty	Remarks	No.	Part,No	Description	Q'ty	Remarks
1	C48-001000	Front carrier	1		5	90102925	Bolt	1	M8x90mm
2	C48-002000	Rear carrier	1		6	90102310	Washer	16	Ø8
3	C58-000100	Bumper	1		7	C91-2000	Rubber washer	8	
4	90102916	Bolt	8	M8x45mm	8				



No.	Part,No	Description	Q'ty	Remarks	No.	Part,No	Description	Q'ty	Remarks
1	C58-390001	Guard	1		11	C90-40002	Arm	1	
2	420	Chain	1		12	C90-40003	Washer	1	
3	22711	Front Gear wheel	1	14t	13	F521-380003	Roller	1	
4	22712	Fix plate	1		14	90102310	Washer	1	
5	C90-40000	Bolt m6x8	2		15	428 S	Link	1	
6	F521-320006	Rear Gear wheel	1	37t	16	90102729	Bolt	2	M6x20
7	C90-40004	Fix plate	2		17	GB96-6	Washer	2	Ø6
8	C90-40005	Lock nut	2	M8	18	050903	Lock Washer	2	
9	90102310	Washer	1	Ø8					
10	C90-40001	Spring	1						



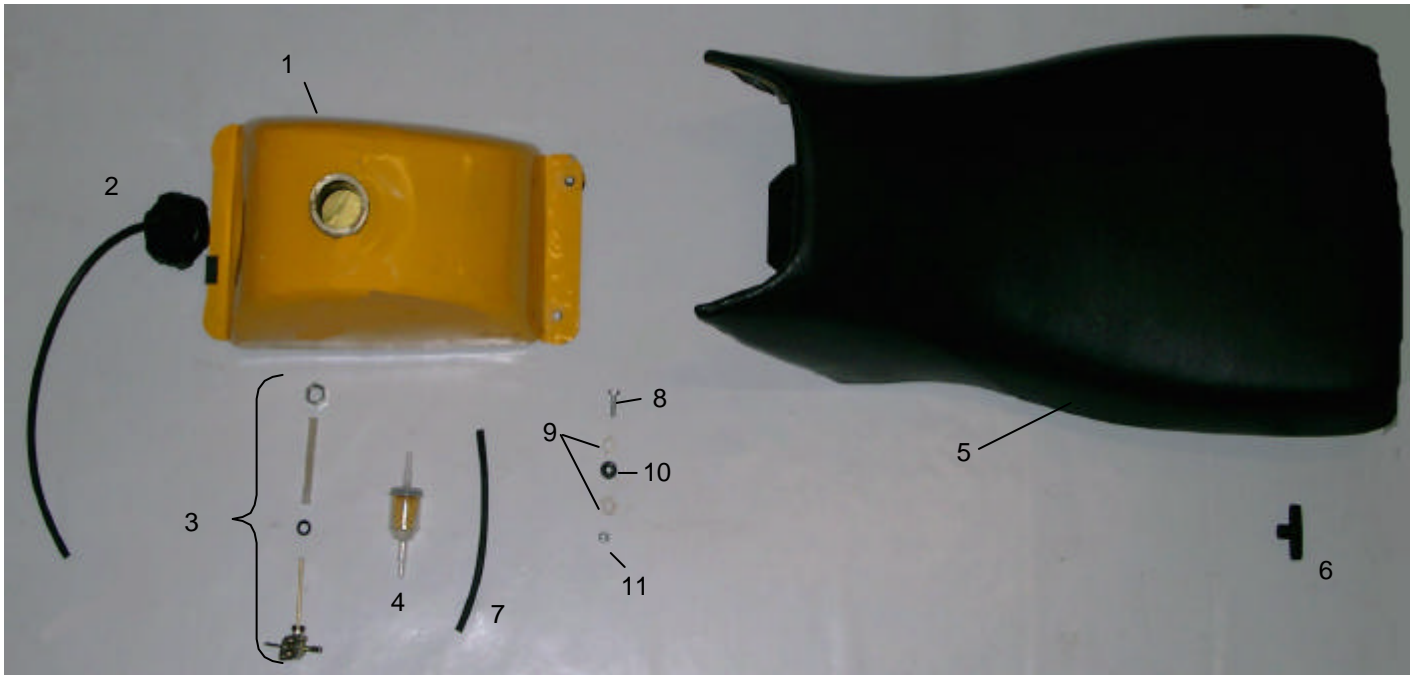
No.	Part.No.	Description	Q`ty	Remarks	No.	Part.No.	Description	Q`ty	Remarks
1	F521-240003	Rear rim	2		5	ATV052412	Tube front	2	16x8,0-7
2	C58-060001	Front rim	2		6	ATV20x7-8	Tube rear	2	20x7,0-8
3	ATV052407	Tire front	2	16x8,0-7	7	C88-080011	Cover	4	
4	20x7.00-8	Tire rear	2	20x7,0-8	8				



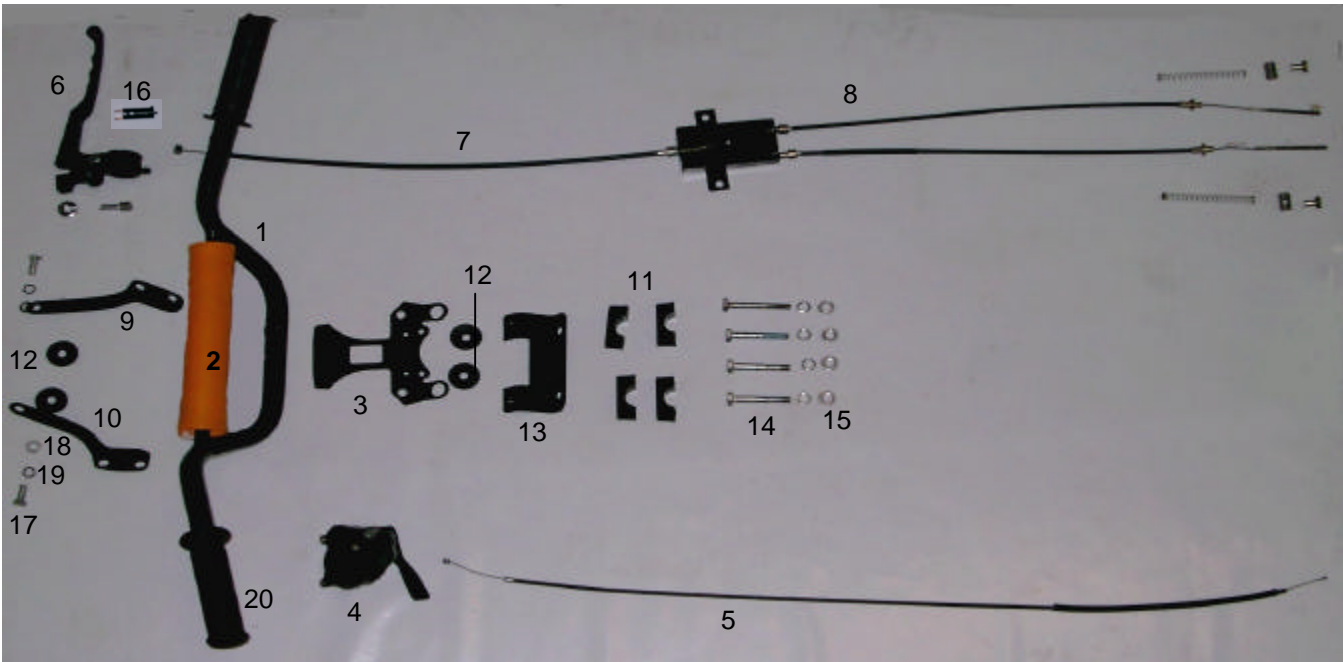
No.	Part,No	Description	Q'ty	Remarks	No.	Part,No	Description	Q'ty	Remarks
1	C58-081000	Steering stem assy	1		9	F521-330004	Lock not	1	M10
2	C78-080002	Steering stem holder	1		10				
3	C78-080003	Steering stem holder	1		11	C90-50003	Bolt		
4	C90-50000	L+R Steering rot kpl.	2		12	C90-50004	Washer		
5	C90-50001	Nut	2	M8	13	F521-350016	Bear ball	4	
6	F521-250017	Dust seal	1		14	GB6170-M12	Nut	4	M12
7	90200216	Bearing	1	6000-ZZ	15	C90-100200	Washer	4	adjust
8	90102311	Washer	1		16	F521-350010	Nut	4	M14



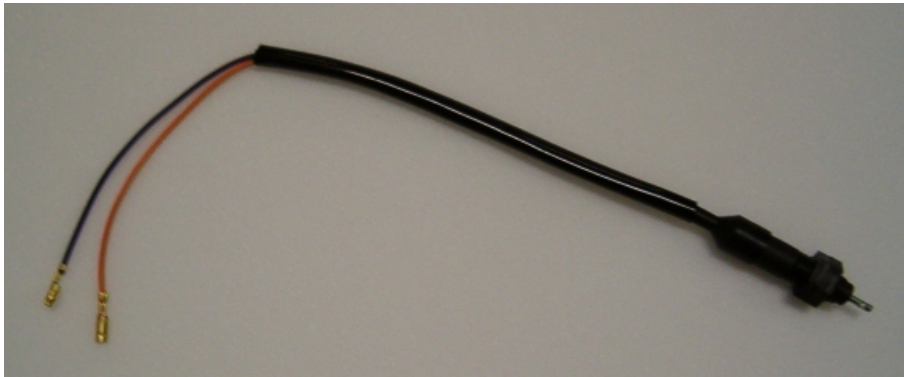
No,	Part,No.	Description	Q'ty	Remarks	No,	Part,No.	Description	Q'ty	Remarks
1	C58-091000	Frame	1		3	C58-090030	Battery case	1	
2	C58-090010	Bracket	1						



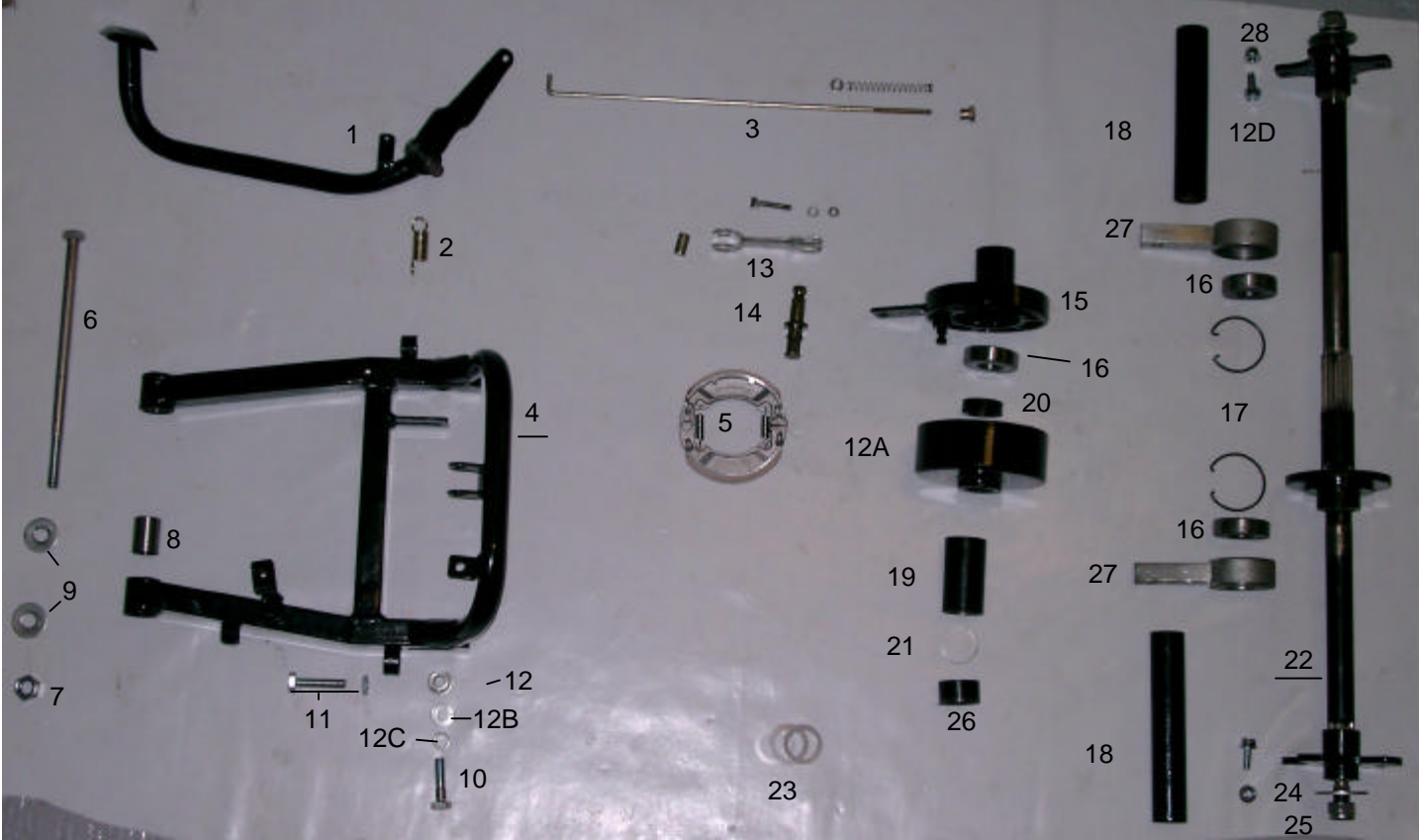
No.	Part.No.	Description	Q'ty	Remarks	No.	Part.No.	Description	Q'ty	Remarks
1	C58-100000	Fuel tank	1		7	C90-60000	Fuel tube	2	
2	C90-60004	Cap fuel tank	1		8	C90-60001	Bolt	2	
3	F521--270005	Fuel switch kpl.	1		9	C90-60002	Washer	4	
4	051704	Filter	1		10	C91-10000	Washer rubber	2	
5	C58-130000	Seat	1		11	C90-60003	Nut M6	2	
6	90307530	Nut M6	1						



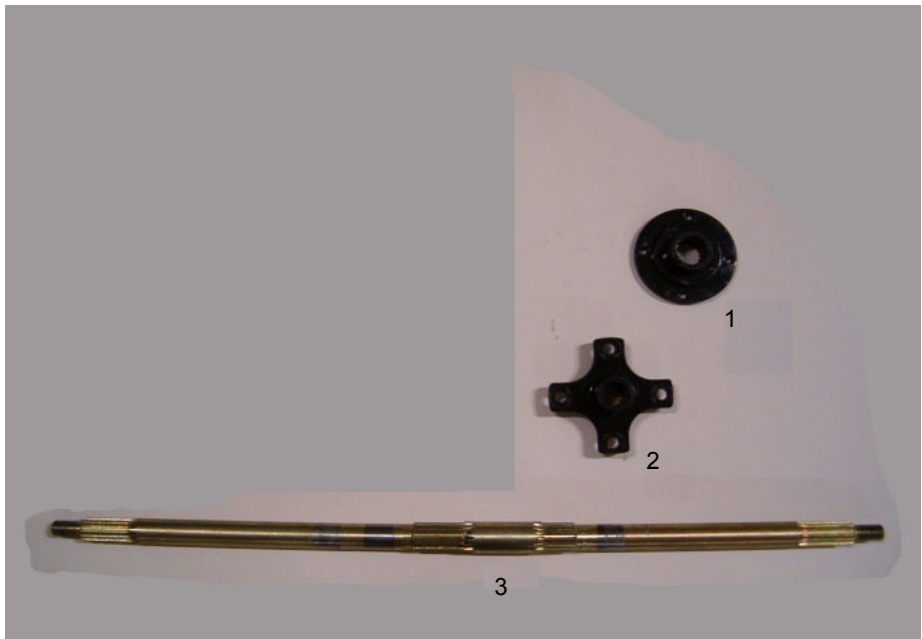
No.	Part,No	Description	Q'ty	Remarks	No.	Part,No	Description	Q'ty	Remarks
1	C78-110001	Handel bar	1		11	C88-080004	Handel holder	4	
2	F521-280010	Pad	1		12	C91-2000	Rubber washer	4	
3	C90-10031	Bracket	1		13	C90-10034	Bracket	1	
4	C78-110600	Throttle gripe	1		14	GB5780-M8x60	Bolt	4	8x60
5	C90-10033	Throttle cable	1		15	GB971-8	Washer	8	
6	C90-10032	Brakehandle	1		16	F521-280005	Switch	2	
7	F521-280003	Upper brake cabel	1		17	90102743	Bolt	2	8x20
8	F521-280009	Lower brake cabel	2		18	90102310	Washer	2	Ø8
9	C78-180010	Head light holder (R)	1		19	GB93-8	Lockwasher	2	Ø8
10	C78-180011	Head light holder(L)	1		20	F521-280008	Grib	2	



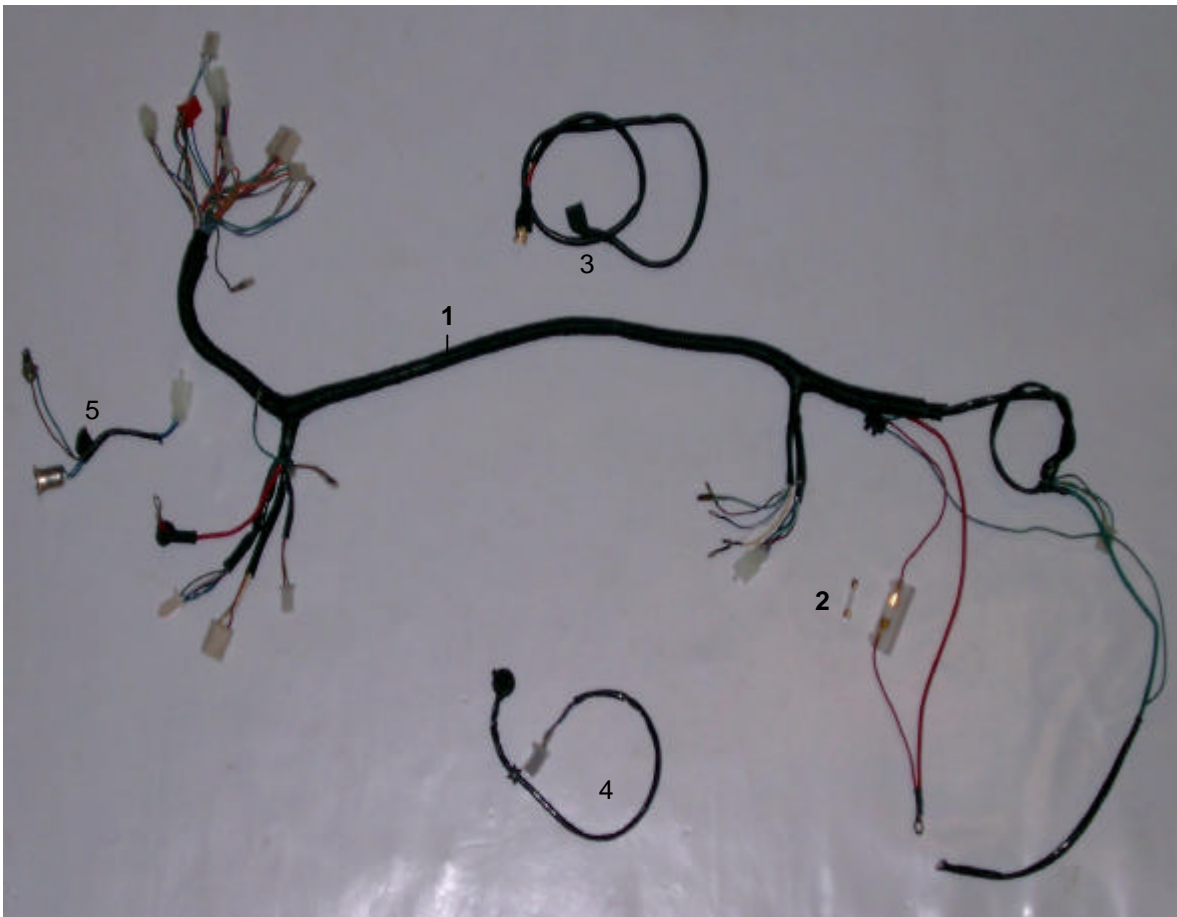
No.	Part No.	Description	Q'ty	Remarks
1	F521-280006	Switch rear brake	1	



No.	Part No.	Description	Q'ty	Remarks	No.	Part No.	Description	Q'ty	Remarks
1	C58-340300	Rear brake padal	1		13	C90-10009	Brake arm	1	
2	C90-10002	Spring	1		14	C90-10010	Pin	1	
3	C90-10003	Rod, Brake	1	Assy	15	C58-340200	Brake Holder	1	
4	C58-391000	Rear arm	1		16	205	Bearing	2	6205
5	F521-300008	Brake shoe	1		17	C90-10012	Tensiener	2	
6	C90-10250	Bolt M12x250	1		18	C58-360001	Long spacer	2	
7	C90-10001	Nut M12	1		19	C58-360004	Middel Specer	1	
8	F521-340017	Bush	2		20	C58-340001	Short spacer	1	
9	C90-10004	Washer	2		21	C90-10016	spacer	1	
10	C90-10005	Bolt	2		22	C58-360005	Rear axle	1	
11	C90-10006	Bolt	2	Assy	23	C90-10017	Shim		
12	C90-10007	Bush	2		24	C90-10018	Washer	2	
12A	C58-340100	Brake drum	1		25	C90-10019	lock nut	2	
12B	GB971-10	Washer	2	Ø10	26	C58-360002	Spacer	1	
12C	GB93-10	Lock Washer	2	Ø10	27	062510	Holder	2	
12D	F521-240012	Bolt	8	M8x35	28	F521-240011	Nut	8	



No.	Part No.	Description	Q'ty	Remarks
1	C58-360006	Sprocket hub	1	
2	C58-360007	Rear axle hub	2	
3	C58-360005	Rear axle	1	

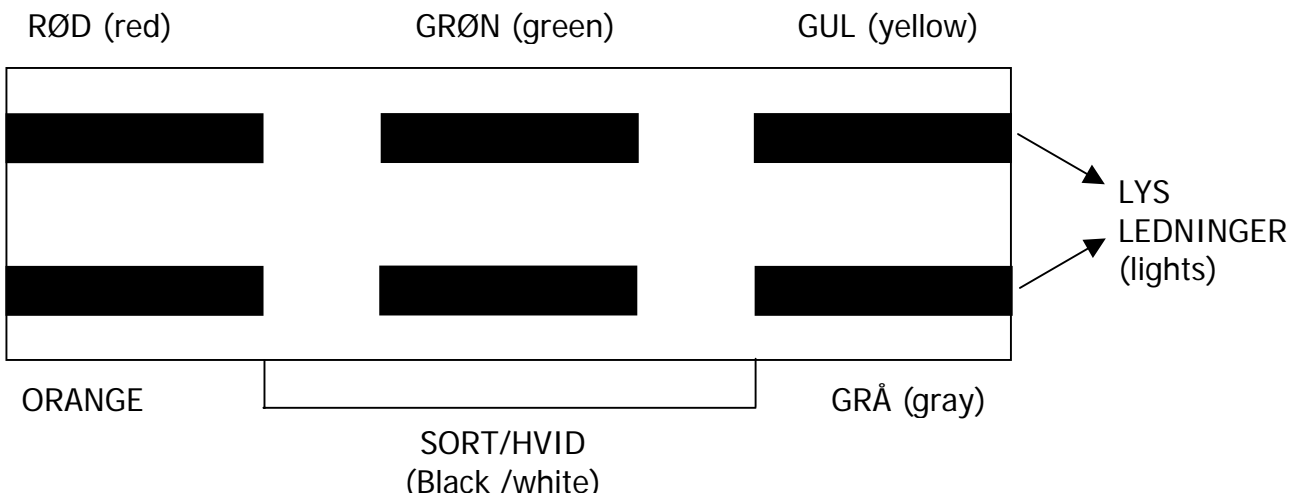


No.	Part,No	Description	Q'ty	Remarks	No.	Part,No	Description	Q'ty	Remarks
1	C58-181000	Main wire	1		4	C90-8001	Gear Wire	1	
2	052214	Fuse 15A	1		5	C90-8002	Wire light	1	
3	C90-8000	Start Wire	1		6				



No.	Part No.	Description	Q'ty	Remarks	No.	Part No.	Description	Q'ty	Remarks
1	F521-310007	Ignition switch	1		6	F521-310017	Head light bulb small	1	12V-3W
1B	F521-310007B	Ignition switch	1		7	F521-310018	Head light bulb big	1	12V-35W
3	F521-310008	Head light	1		8	F521-310019	Tail light bulb	1	12V-10-30W
4	C78-181001	Tail light	1		9	C78-110500	Switch comp.	1	
5	052200	Battery	1		10	C90-21000	Dashboard	1	
5A	F521-310016	Fuse	1	15A	10A	C90-21000A	Gear display	1	

Udskiftning af tændingskontakter



Start med at samle grå og gul ledning på maskinen.
De er til lyset, som vil være tændt konstant når motoren er startet.

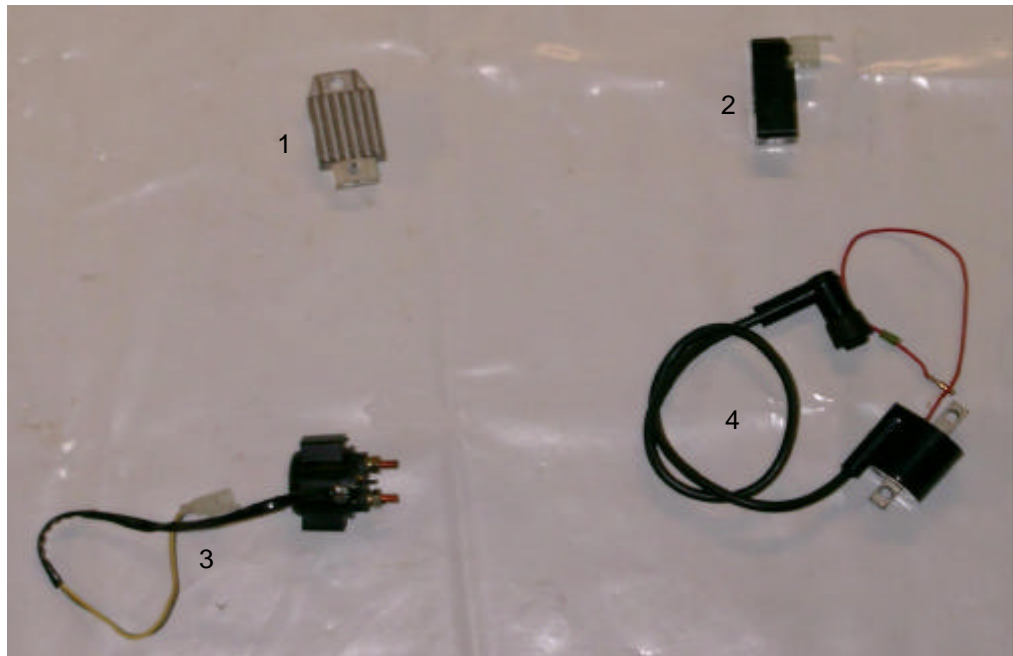
Monter kabelsko på ledningerne.
Monter så ledningerne i stikholderen.
Ledningsfarverne skal monteres som følger :

RØD til RØD LEDNING
SORT til ORANGE LEDNING
GRØN til GRØN LEDNING
SORT/HVID til SORT/HVID

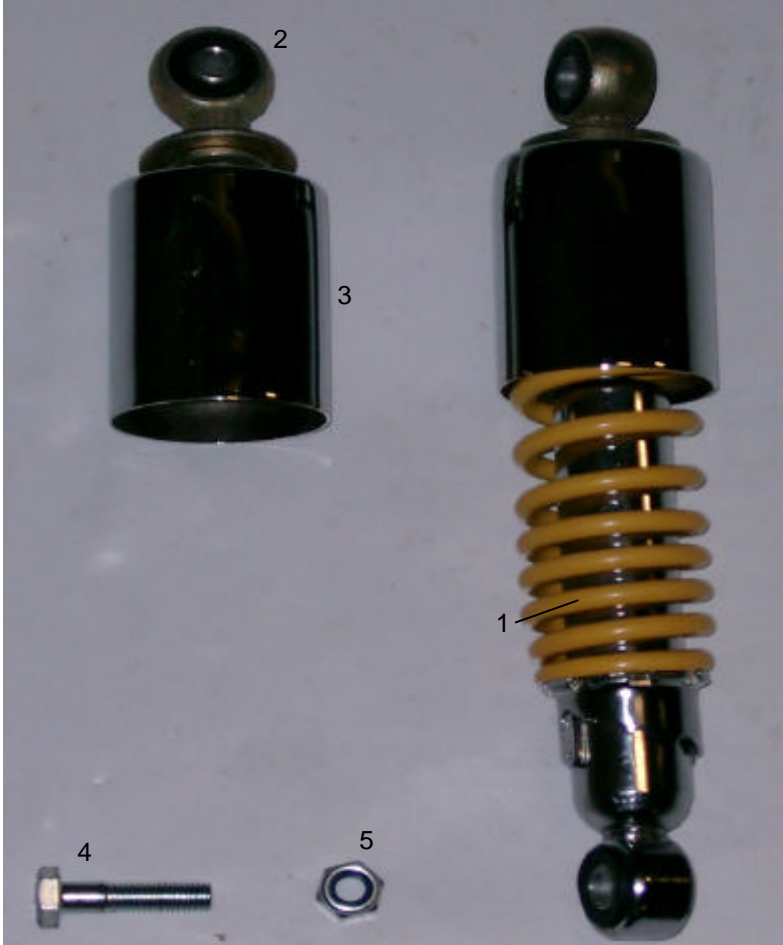
Start by connecting gray and yellow wire on the machine.
They are for the lights, which will be turned on constant when the engine is started.

Mount cabelshoes on the wires.
Mount the wires in the holder.
The colours must be mounted as this :

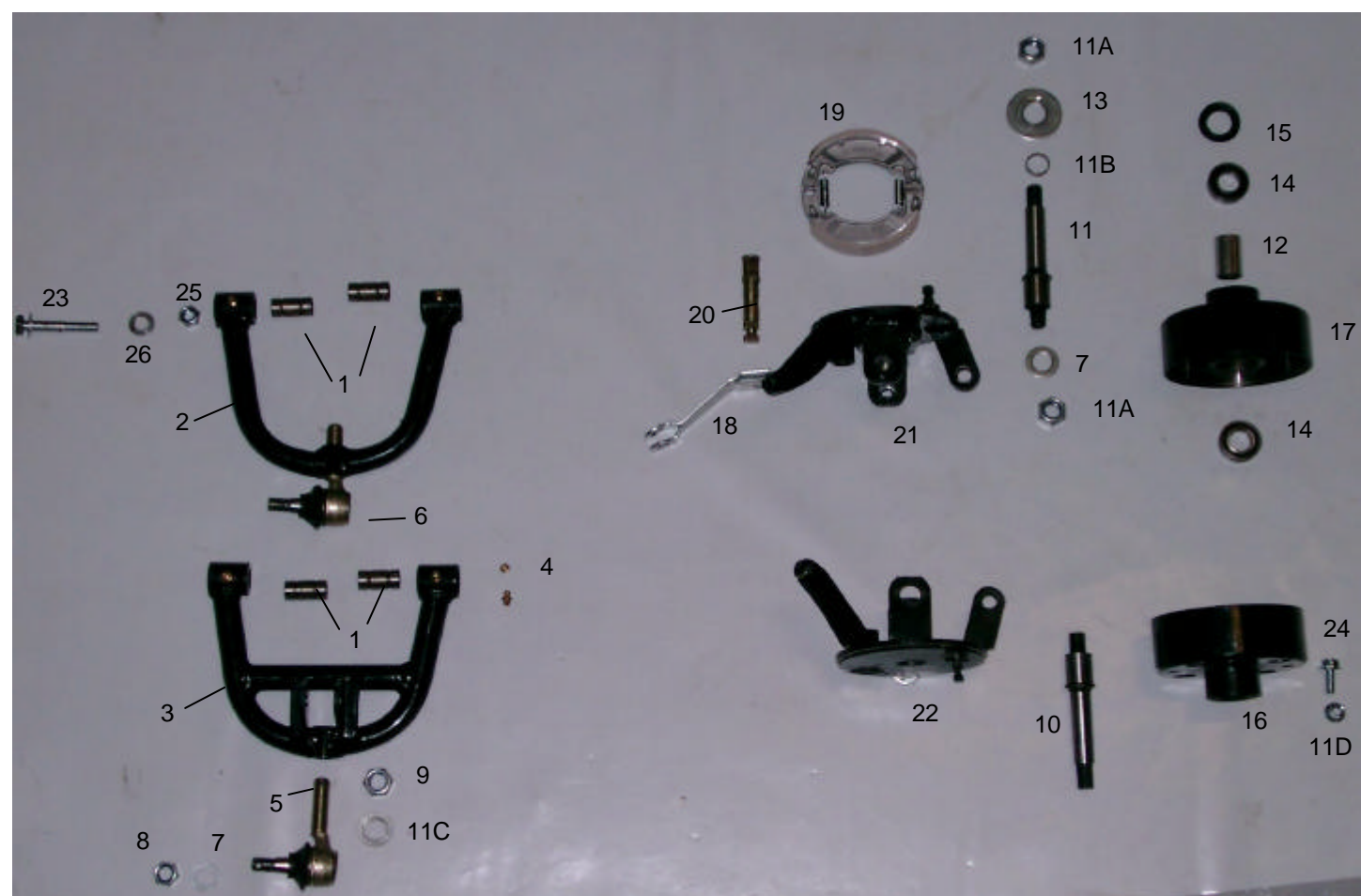
RED to RED WIRE
BLACK to ORANGE WIRE
GREEN to GREEN WIRE
BLACK/WHITE to BLACK/WHITE



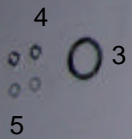
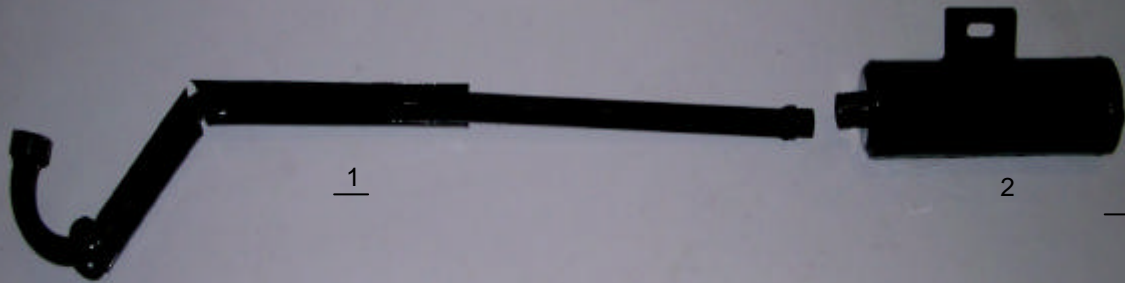
NO.	Part.nr	Description	Q`ty	Remarks	NO.	Part.nr	Description	Q`ty	Remarks
1	C91-33000	Rectifier	1		3	C91-33002	Relay	1	
2	C91-33001	C.D.I	1		4	C91-33003	Ignition coil	1	



No	Part, No.	Description	Q'ty	Remarks
1	C78-370000	Shock absorber kpl.	1	
2	F521-330005	Top	1	
3	F521-330006	Protection	1	
4	GB5781-M10x40	Bolt M10x40	2	
5	F521-330004	Lock Nut M10	2	



NO.	PART,NO	DESCRIPTION	Q'TY	REMARKS	NO.	PART,NO	DESCRIPTION	Q'TY	REMARKS
1	C78-400001	Bush	8		12	C78-060003	Spacer	2	
2	C78-401000	Front upper arm assy	2		13	C88-360004	Washer	2	
3	C78-402000	Front lower arm assy	2		14	90200222	Bearing	4	6003
4	F521-350017	Grease entrance	8		15	F521-300006	Seal	4	
5	F521-350016	Rod ball assy	2		16	C78-140100	Fr,brake Drum L	1	
6	F521-350016	Rod ball assy	2		17	C90-30001	Fr,brake Drum R	1	
7	C90-100200	Washer	4	adjust	18	C78-140002	Front Brake arm	2	
8	GB6170-M12	Lock nut	4	M12 (1,25)	19	F521-300008	Brake shoe comp	2	
9	F521-350010	Lock nut	4	M14 (1,50)	20	C90-30000	Cam brake	2	
10	C78-060002	Axle front L	1		21	C90-30006	Brake panel (R)	1	
11	C90-30002	Axle front R	1		22	C90-30007	Brake panel (L)	1	
11A	C90-30004	Lock nut	4	M12	23	GB28-M10x60	Bolt	8	M10x60
11B	C90-30005	Spacer	2	Ø17,5x8x1,5	24	90102744	Bolt	8	M8x25
11C	GB97.1-14	Washer	4	Ø14	25	GB97.1-10	Washer	4	Ø10
11D	F521-240011	Locknut	8	M8	26	GB9457-M10	Lock nut	8	M10



No.	Part,no	Description	Q'ty	Remarks	No.	Part,no	Description	Q'ty	Remarks
1	C58-792000	Exhaust	1		4	90102195	Washer	2	Ø6
2	C58-791000	Muffler	1		5	90100691	Nut	2	Ø6
3	C90-70000	Seal	1						