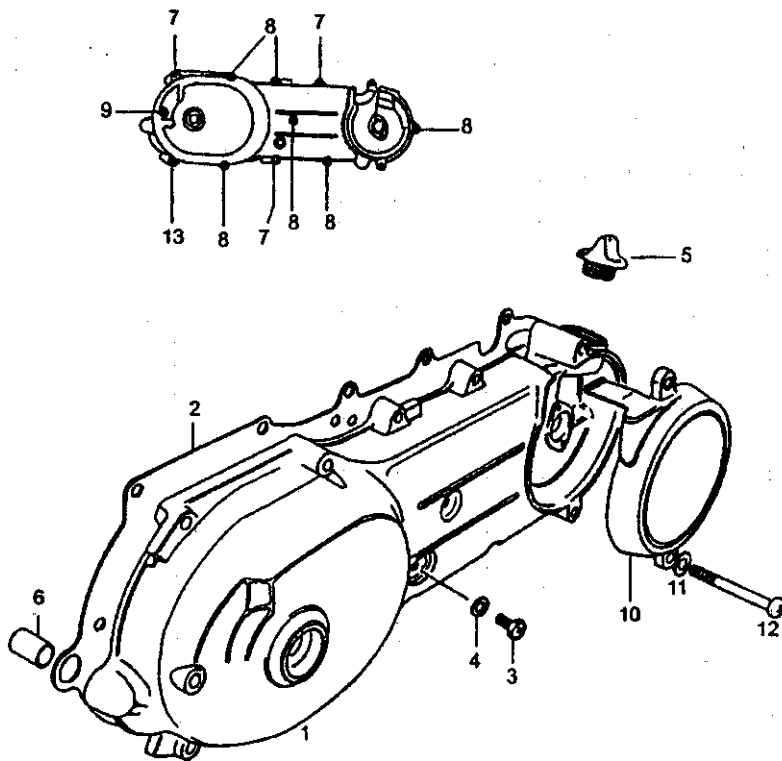


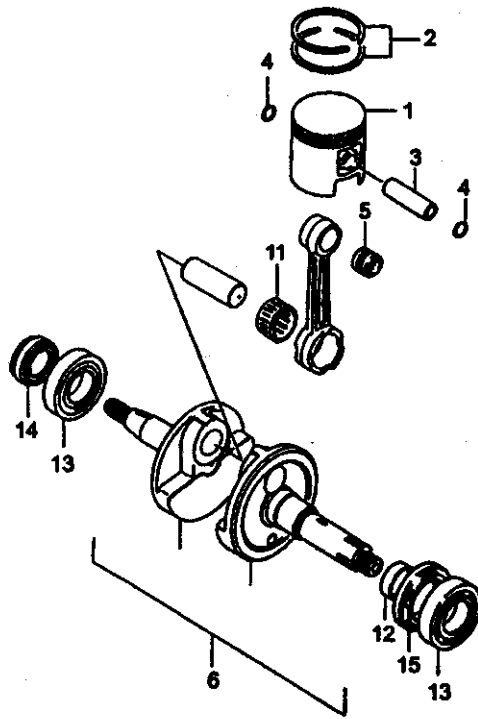
D-2

| No. | Part No. | Description | Q'ty | Remarks | No. | Part No. | Description | Q'ty | Remarks |
|-----|----------|-----------------------|------|---------|-----|----------|----------------------|------|---------|
| 1 | 050201 | Crankcase, right | | | 12 | 050212 | Screw M5 x 12 | | |
| 2 | 050202 | Bushing, engine mount | | | 13 | 050213 | Plug, drain | | |
| 3 | 050203 | One - Way Valve | | | 14 | 050214 | Gasket, drain plug | | |
| 4 | 050204 | Crankcase, left | | | 15 | 050215 | Bolt M10 x 1.25 | | |
| 5 | 050205 | Bushing | | | 16 | 050216 | Nut M10 x 1.25 | | |
| 6 | 050206 | Pin, location | | | 17 | 050217 | Reed Valve Assembly | | |
| 7 | 050207 | Screw, M6 x 40 | | | 18 | 050218 | Screw M6 x 20 | | |
| 8 | 050208 | Screw, M6 x 50 | | | 19 | 050219 | Gasket, spacer plate | | |
| 9 | 050209 | Screw, M6 x 65 | | | 20 | 050220 | Spacer Plate | | |
| 10 | 050210 | Clamp, oil hose | | | 21 | 050221 | Pin | | |
| 11 | 050211 | Hollow Bolt | | | 22 | 050222 | Ball 5 | | |



D-3

| No. | Part No. | Description | Q'ty | Remarks | No. | Part No. | Description | Q'ty | Remarks |
|-----|----------|---|------|---------|-----|----------|--|------|---------|
| 1 | 050301 | Crankcase Cover | | | 12 | 050312 | Screw M6 x 50 | | |
| 2 | 050302 | Gasket, transmission cover | | | 13 | 050313 | Fixed Screw, starter motor (6 x 85) | | |
| 3 | 050303 | Oil Check Screw M6 x 10 | | | | | | | |
| 4 | 050304 | Gasket | | | | | | | |
| 5 | 050305 | Plug | | | | | | | |
| 6 | 050306 | Pin, location | | | | | | | |
| 7 | 050307 | Screw M6 x 25 | | | | | | | |
| 8 | 050308 | Screw M6 x 35 | | | | | | | |
| 9 | 050309 | Fixed Screw, starter motor (6 x 105) | | | | | | | |
| 10 | 050310 | Oil Pump Cover | | | | | | | |
| 11 | 050311 | Washer 6 | | | | | | | |

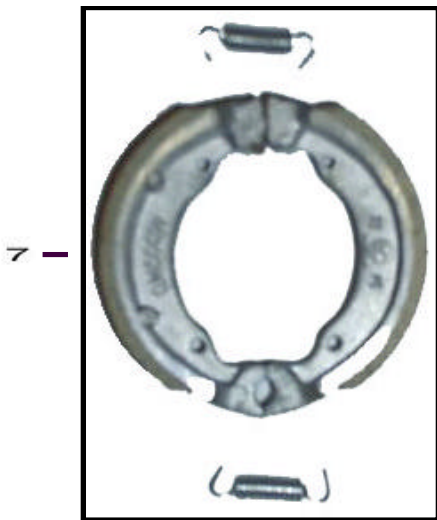


D-4

| No. | Part No. | Description | Q' ty | Remarks | No. | Part No. | Description | Q' ty | Remarks |
|-----|----------|----------------------------|-------|---------|-----|----------|-----------------|-------|---------|
| 1 | 050401 | Piston | | | 12 | 050412 | Spacer | | |
| 2 | 050402 | Ring Set | | | 13 | 050413 | Bearing D104 | | |
| 3 | 050403 | Pin, piston | | | 14 | 050414 | Oil Seal, right | | |
| 4 | 050404 | Circlip | | | 15 | 050415 | Oil Seal, left | | |
| 5 | 050405 | Bearing 10, connecting rod | | | | | | | |
| 6 | 050406 | Crankshaft Assembly | | | | | | | |
| | | • Rod, connecting | | | | | | | |
| | | • Pin, crank | | | | | | | |
| | | • Crankshaft, right | | | | | | | |
| | | • Crankshaft, left | | | | | | | |
| 11 | 050411 | Bearing 16 | | | | | | | |



| No | Part no. | Description | Q'ty | Remarks | No | Part no. | Description | Q'ty | Remarks |
|----|----------|---------------------|------|---------|----|----------|-------------|------|---------|
| 1 | 050604-1 | Filter, air cleaner | 1 | | 3 | 050601-1 | Air cleaner | 1 | Assy |
| 2 | 050603-1 | Tube, inlet | 1 | | | | | | |

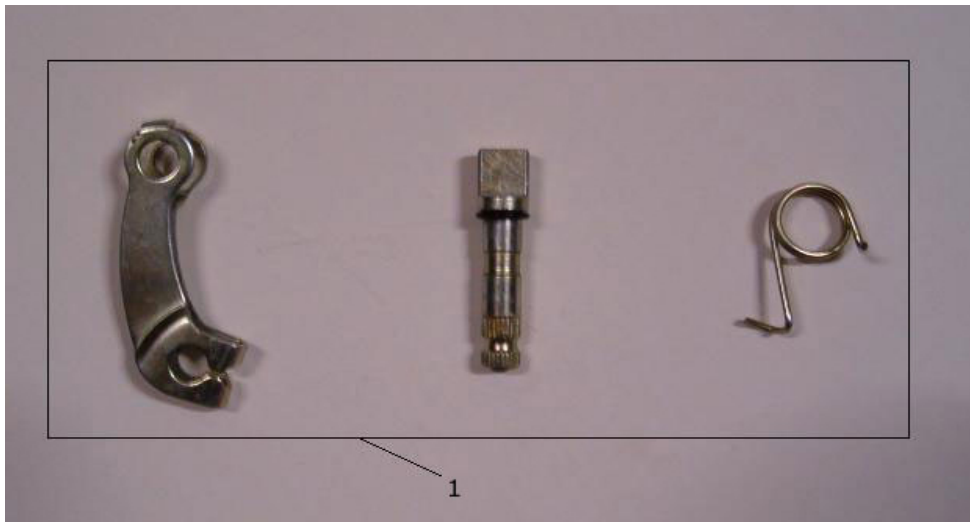


D-7

| No. | Part No. | Description | Q'ty | Remarks |
|-----|----------|----------------------|------|---------|
| 1 | 050701 | Gasket, exhaust pipe | | |
| 3 | 050703 | Screw M6 x 18 | | |
| 7 | 050707 | Brake Shoes kpl. | | |



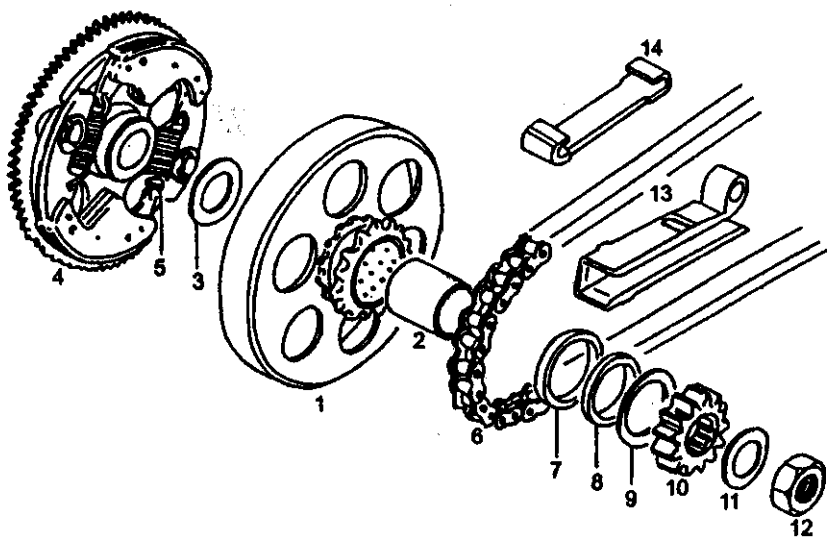
| No. | Part No. | Description | Q'ty | Remarks |
|-----|----------|------------------------|------|---------|
| 1 | 050708 | Brake Arm Assy (front) | 2 | |



| No. | Part No. | Description | Q'ty | Remarks |
|-----|----------|-----------------------|------|---------|
| 1 | 050709 | Brake Arm Assy (back) | 1 | |

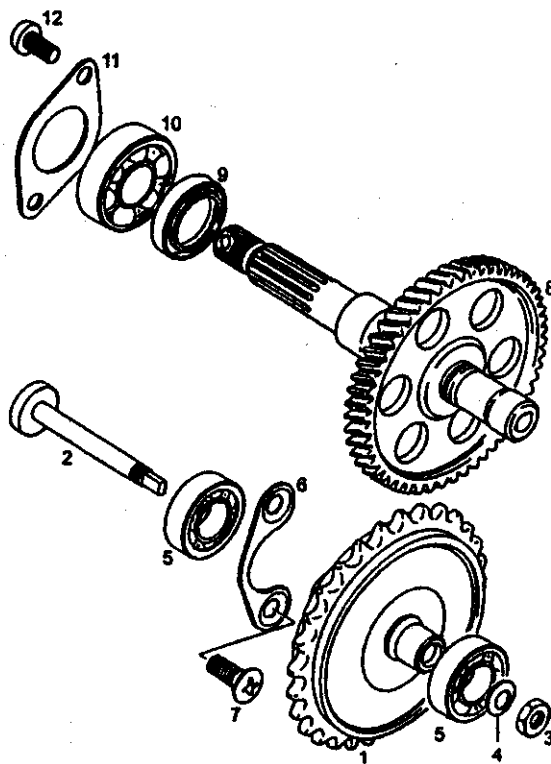


| No, | Part No. | Description | Q'ty |
|-----|----------|-------------|------|
| 1 | 050909 | Cover top | 1 |



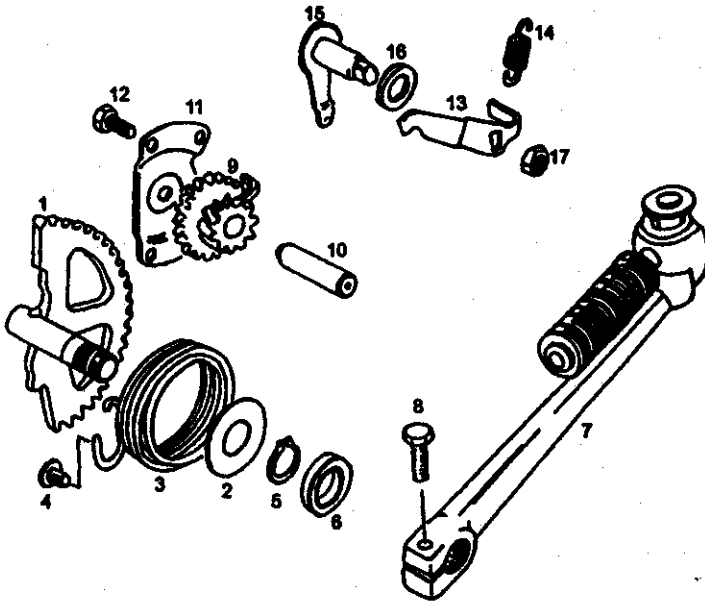
D-10

| No. | Part No. | Description | Q' ty | Remarks | No. | Part No. | Description | Q' ty | Remarks |
|-----|----------|-----------------------------------|-------|---------|-----|----------|--------------------------|-------|---------|
| 1 | 051001 | Hub | | | 12 | 051012 | Nut M12 × 1.25 | | |
| 2 | 051002 | Spacer | | | 13 | 051013 | Guide, lower drive chain | | |
| 3 | 051003 | Clutch Shim | | | 14 | 051014 | Guide, upper drive chain | | |
| 4 | 051004 | Starter Gear Assembly & Clutch | | | | | | | |
| 5 | 051005 | Key 3 × 13 | | | | | | | |
| 6 | 051006 | Chain T0858.5 × 5 | | | | | | | |
| 7 | 051007 | Washer, shock absorbing | | | | | | | |
| 8 | 051008 | Spacer | | | | | | | |
| 9 | 051009 | Shim | | | | | | | |
| 10 | 051010 | Gear, starter | | | | | | | |
| 11 | 051011 | Washer | | | | | | | |



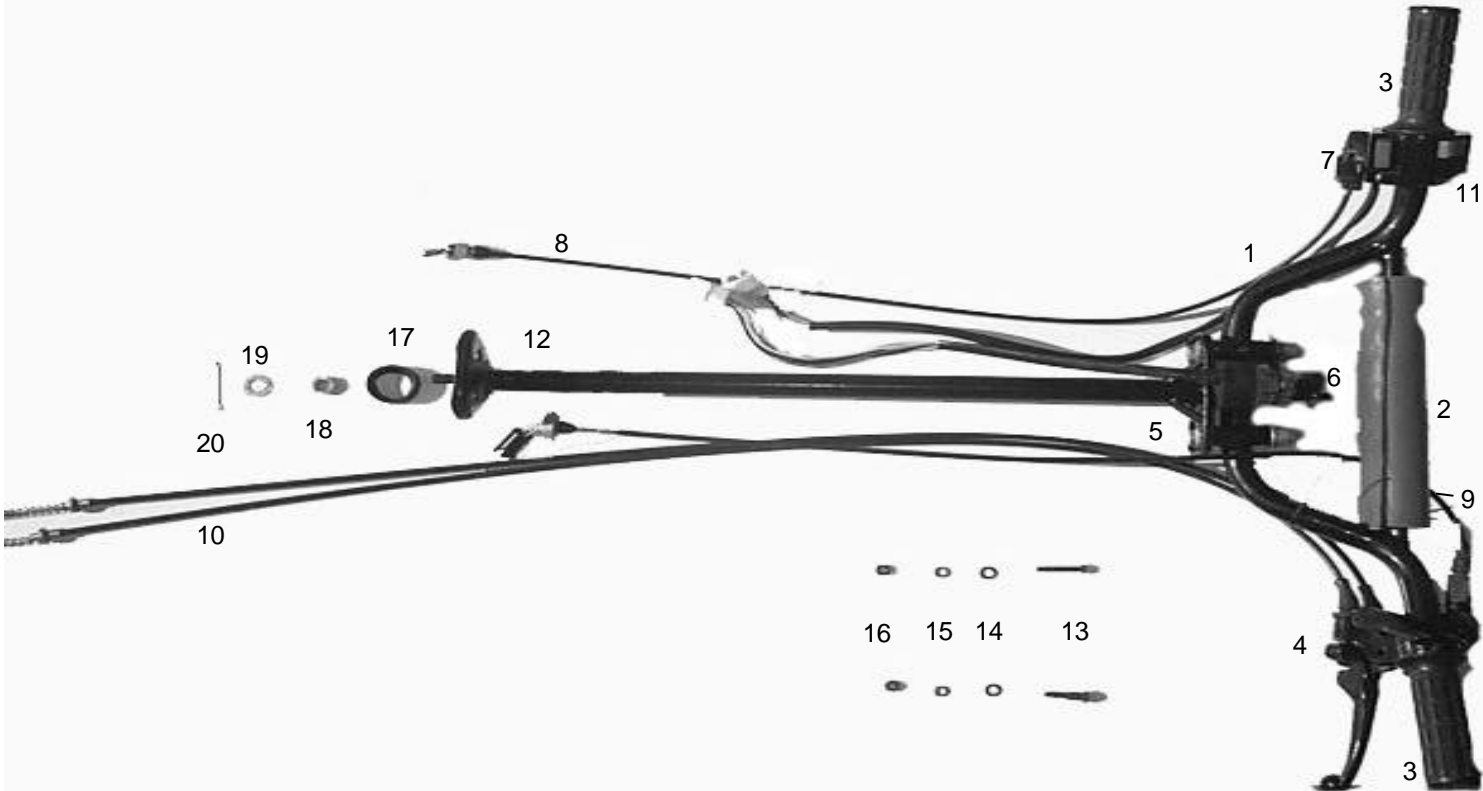
D-11

| No. | Part No. | Description | Q' ty | Remarks | No. | Part No. | Description | Q' ty | Remarks |
|-----|----------|-------------------------------|-------|---------|-----|----------|--------------|-------|---------|
| 1 | 051101 | Sprocket Assembly, rear | | | 12 | 051112 | Bolt M6 x 10 | | |
| 2 | 051102 | Pull Rod, rear sprocket | | | | | | | |
| 3 | 051103 | Nut M6 | | | | | | | |
| 4 | 051104 | Washer 6 | | | | | | | |
| 5 | 051105 | Bearing 6001 | | | | | | | |
| 6 | 051106 | Retainer, drive shaft bearing | | | | | | | |
| 7 | 051107 | Screw M6 x 10 | | | | | | | |
| 8 | 051108 | Rear Axle and Gear | | | | | | | |
| 9 | 051109 | Oil Seal SD 25 x 40 x 10 | | | | | | | |
| 10 | 051110 | Bearing P/60204 | | | | | | | |
| 11 | 051111 | Retainer, drive shaft bearing | | | | | | | |



D-12

| No. | Part No. | Description | Q' ty | Remarks | No. | Part No. | Description | Q' ty | Remarks |
|-----|----------|-----------------------------------|-------|---------|-----|----------|-------------------------|-------|---------|
| 1 | 051201 | Shaft Assembly, kick starter | | | 12 | 051212 | Bolt M6 x 16 | | |
| 2 | 051202 | Washer | | | 13 | 051213 | Pawl, kick starter | | |
| 3 | 051203 | Spring | | | 14 | 0511214 | Pull Spring A1 x 7 x 24 | | |
| 4 | 051204 | Screw M6 x 12 | | | 15 | 051215 | Brake Rod | | |
| 5 | 051205 | Circlip | | | 16 | 051216 | Oil Seal SD 12 x 14 x 7 | | |
| 6 | 051206 | Oil Seal | | | 17 | 051217 | Nut M10 x 1 | | |
| 7 | 051207 | Lever Assembly, kick starter | | | | | | | |
| 8 | 051208 | Bolt M6 x 25 | | | | | | | |
| 9 | 051209 | Gear Assembly, kick starter drive | | | | | | | |
| 10 | 051210 | Shaft, kick starter idle | | | | | | | |
| 11 | 051211 | Cover, stopper | | | | | | | |



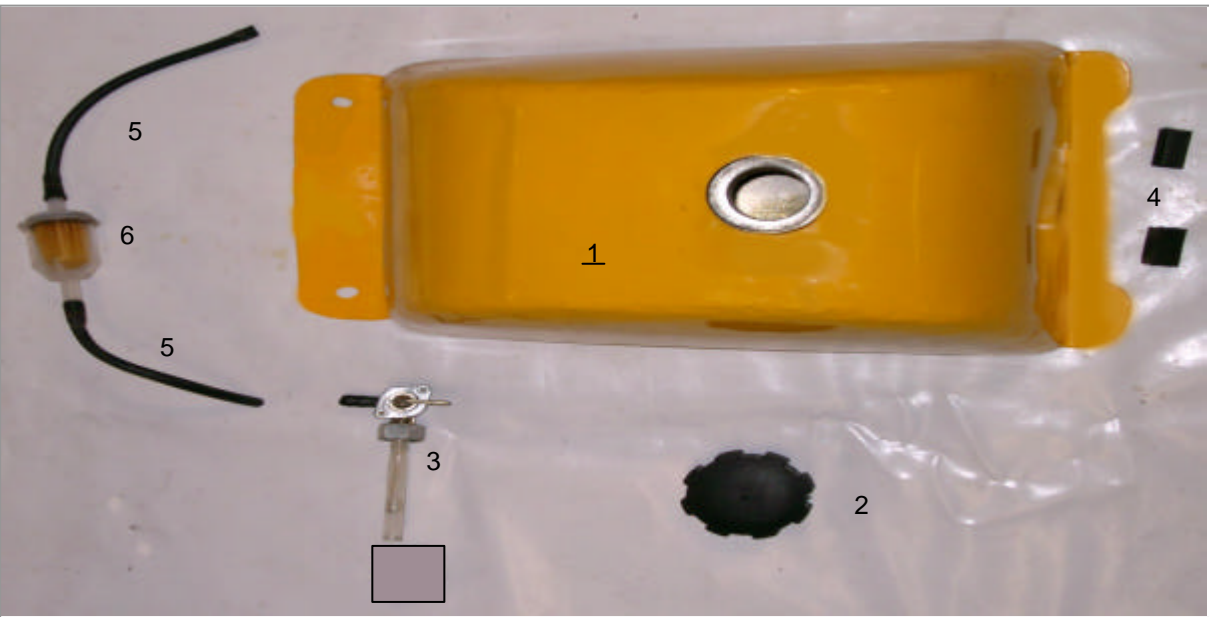
| No. | Part No. | Description | Q'ty | Remarks | No. | Part No. | Description | Q'ty | Remarks |
|-----|----------|---------------------------------|------|---------|-----|----------|------------------|------|---------|
| 1 | 051501 | Handle Bar | 1 | | 12 | 051512 | Steering Stem | 1 | |
| 2 | 051502 | Pad | 1 | | 13 | 051513 | Bolt | 2 | |
| 3 | 051503 | Grip (L,R) | 2 | | 14 | 051514 | Lockwasher | 2 | |
| 4 | 051504 | Front Brake / Throttle Controls | 1 | | 15 | 051515 | Washer | 2 | |
| 5 | 051505 | Handle Bar Clamp | 4 | | 16 | 051516 | Nut | 2 | |
| 6 | 051506 | Ignition Assembly | 1 | | 17 | 051517 | Bushing | 1 | |
| 7 | 051507 | Choke Lever | 1 | | 18 | 051518 | Nut | 1 | |
| 8 | 051508 | Choke Cable | 1 | | 19 | 051519 | Washer | 1 | |
| 9 | 051509 | Throttle Cable | 1 | | 20 | 051520 | Cotter Pin | 1 | |
| 10 | 051510 | Front Brake Cable (L,R) | 2 | | 21 | 051521 | Bracket Ignition | 1 | |
| 11 | 051511 | Starter/Kill Switch | 1 | | 22 | | | | |



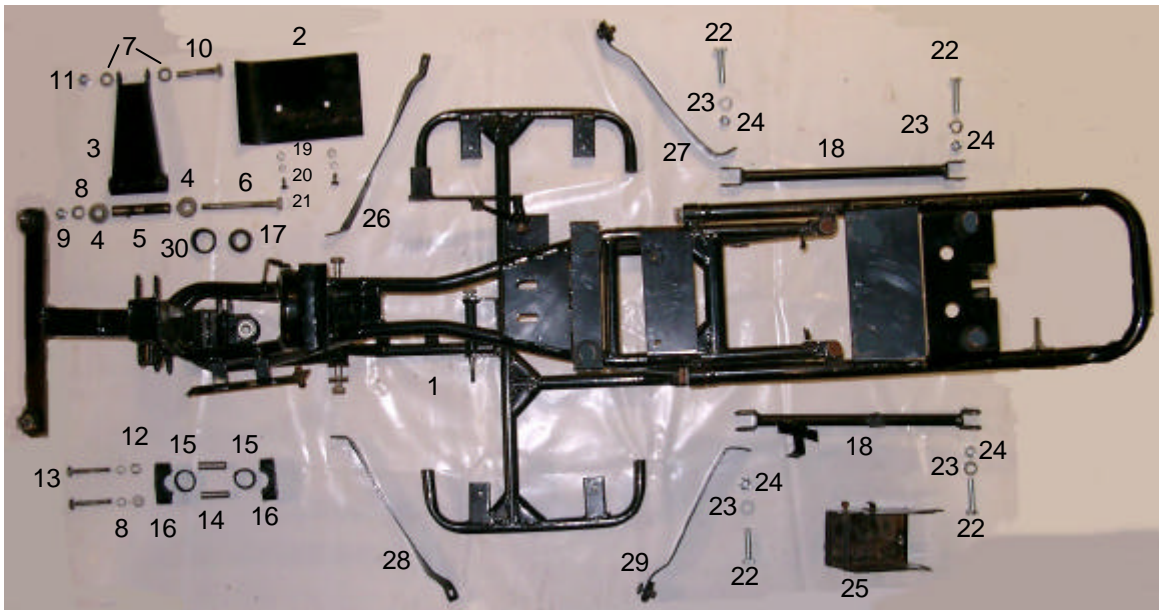
| No. | Part No | Description | Q'ty | Remarks |
|-----|----------|-------------|------|---------|
| 1 | C90-1000 | Front cover | 1 | |



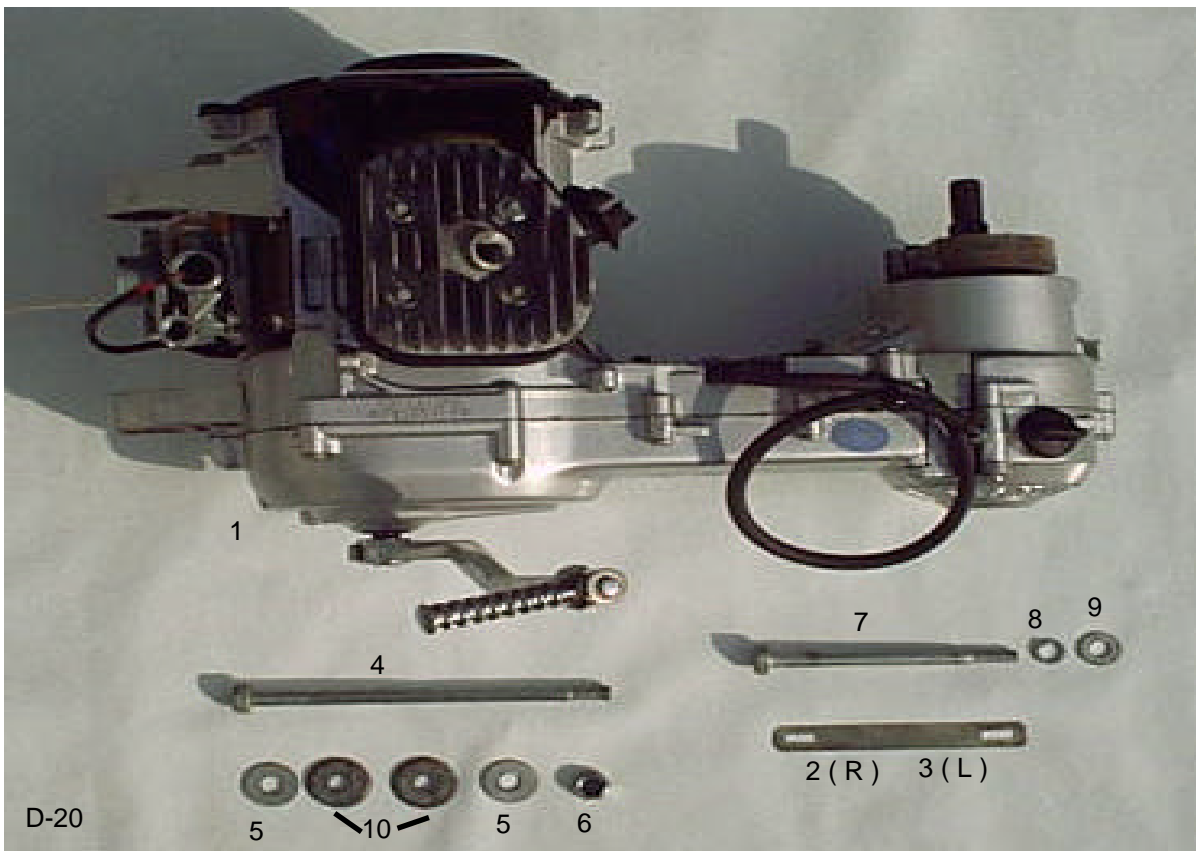
| No. | Part,No | Description | Q`ty | Remarks | No. | Part,No | Description | Q`ty | Remarks |
|-----|------------|-------------|------|---------|-----|---------|-------------|------|---------|
| 1 | C90-20000 | Rear cover | 1 | | 3 | 051724 | Nut | 1 | M6 |
| 2 | C58-130000 | Seat | 1 | | 4 | 051725 | Washer | 2 | Ø6 |



| No | Part no. | Description | Q'ty | Remarks | No | Part no. | Description | Q'ty | Remarks |
|----|-------------|-------------|------|---------|----|-------------|-------------|------|---------|
| 1 | 051701-1 | Fuel tank | 1 | | 4 | 051715-1 | Rubber Pad | 2 | |
| 2 | 051702 | Fuel cap | 1 | | 5 | F521-270006 | Fuel tube | 2 | Ø5 |
| 3 | F521-270005 | Fuel switch | 1 | | 6 | 051704 | Fuel filter | 1 | |



| No | Part no. | Description | Q'ty | Remarks | No | Part no. | Description | Q'ty | Remarks |
|----|----------|-------------|------|---------|----|----------|---------------------|------|---------|
| 1 | 061901-1 | Frame | 1 | | 16 | 061916 | Bracket | 2 | |
| 2 | 061902 | Skid plate | 1 | | 17 | 061917 | Bearing | 1 | 6000 RS |
| 3 | 061903 | A-Arm (L,R) | 4 | | 18 | 062701-1 | Support | 1 | Set |
| 4 | 061904 | Cap | 8 | | 19 | 061919 | Washer | 2 | |
| 5 | 061905 | Bushing | 4 | | 20 | 061920 | Lockwasher | 2 | |
| 6 | 061906 | Bolt | 4 | | 21 | 061921 | Bolt | 2 | |
| 7 | 061907 | Washer | 2 | | 22 | 90102776 | Bolt | 4 | 10x45 |
| 8 | 061908 | Lockwasher | 6 | | 23 | 90102311 | Washer | 4 | Ø10 |
| 9 | 061909 | Nut | 4 | | 24 | 90100693 | Lockwasher | 4 | M10 |
| 10 | 061910 | Bolt | 4 | | 25 | 061925-1 | Battery case | 1 | |
| 11 | 061911 | Locknut | 4 | | 26 | 061926-1 | Right support front | 1 | |
| 12 | 061912 | Washer | 2 | | 27 | 061927-1 | Right support rear | 1 | |
| 13 | 061913 | Bolt | 2 | | 28 | 061928-1 | Left support front | 1 | |
| 14 | 061914 | Bushing | 2 | | 29 | 061929-1 | Left support rear | 1 | |
| 15 | 061915 | Bushing | 2 | | 30 | 051517 | Bushing | 1 | |



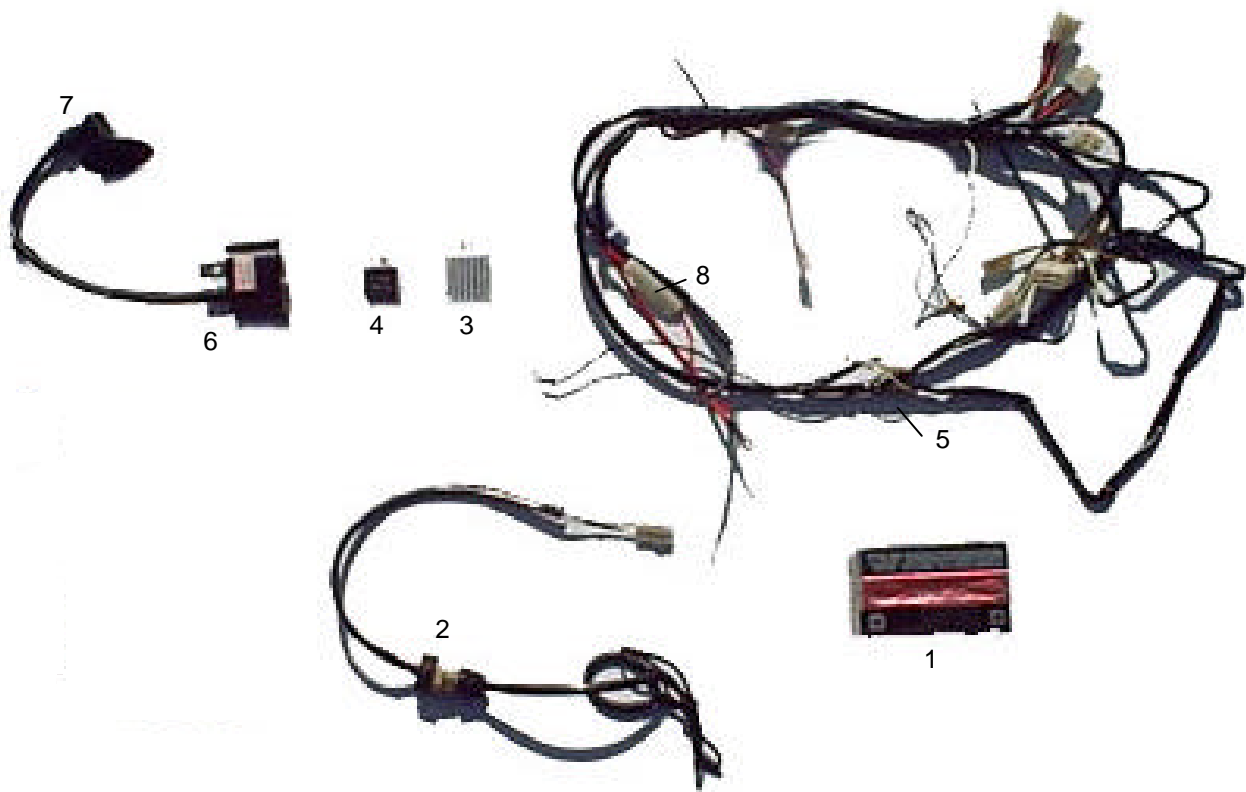
| No. | Part No. | Description | Q'ty | Remarks | No. | Part No. | Description | Q'ty | Remarks |
|-----|----------|---------------|------|---------|-----|----------|-------------|------|---------|
| 1 | 062001 | Engine | | | 6 | 062006 | Lock Nut | | |
| 2 | 062002 | Right Bracket | | | 7 | 062007 | Bolt | | |
| 3 | 062003 | Left Bracket | | | 8 | 062008 | Lockwasher | | |
| 4 | 062004 | Bolt | | | 9 | 062009 | Washer | | |
| 5 | 062005 | Washer | 2 | | 10 | 062010 | Cap | 2 | |



| No. | Part No. | Description | Q'ty | Remarks | No. | Part No. | Description | Q'ty | Remarks |
|-----|----------|-----------------|------|----------|-----|----------|-------------|------|----------|
| 1 | 062101 | Shock Bracket | | | 13 | 062113 | Axel | | |
| 2 | 062102 | Front Shock | | | 14 | 062114 | Washer | | |
| 3 | 062103 | Washer | | | 15 | 062115 | Washer | | |
| 5 | 062105 | Locknut | | | 16 | 062116 | Nut | | |
| 6 | 062106 | Bolt | | | 17 | 062117 | Tie Rod | | |
| 7 | 062107 | Front Hub (L,R) | | | 21 | 062121 | Locknut | | |
| 8 | 062108 | Tire | | 16-800-7 | 22 | 052412 | Inner Tube | | 16-800-7 |
| 9 | 062109-1 | Rim | | | 23 | 062123 | Hub Cap | | |
| 10 | 062110 | Panel (R) | | | 24 | 062124 | Spacer | | |
| 11 | 062111 | Spacer | | | 25 | 062113R | Axel | | |
| 12 | 062112 | Panel (L) | | | | | | | |

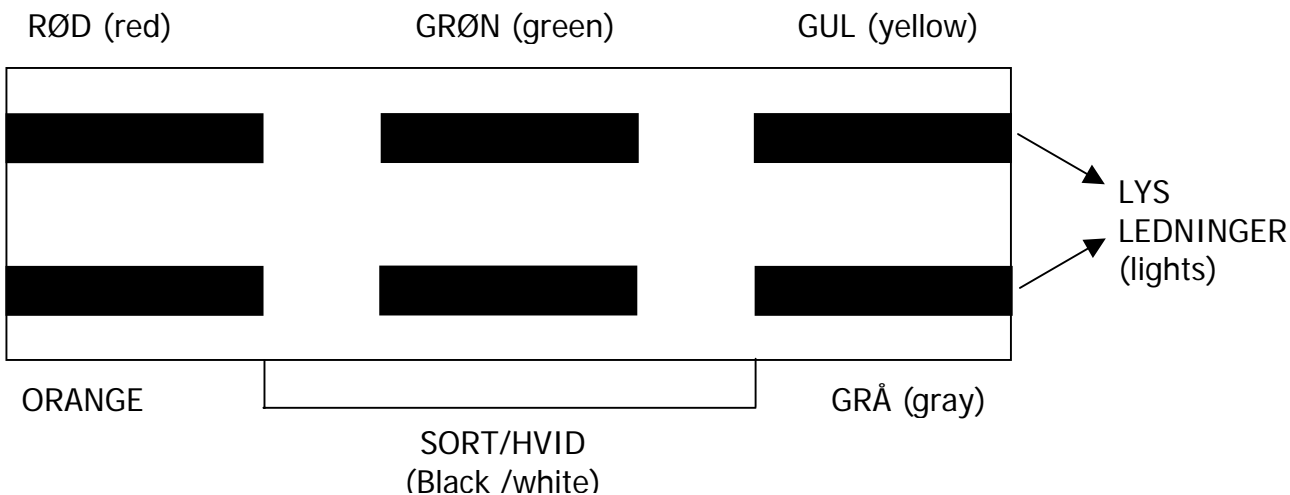


| Item no: | Part no: | Description: |
|----------|----------------|--------------|
| 1 | 90200218 | Bearing |
| 2 | ATVF521-080004 | Oil seal |



| No. | Part No. | Description | Q'ty | Remarks | No. | Part No. | Description | Q'ty | Remarks |
|-----|----------|---------------|------|---------|-----|----------|-------------------------|------|---------|
| 1 | 052201 | Battery | 1 | 12v | 5 | 052205 | Wiring Harness | 1 | |
| 2 | 052202 | Tether Switch | 1 | | 6 | 052207 | Ignition Coil | 1 | |
| 3 | 052203 | Rectifier | 1 | | 7 | 052208 | Spark Plug Cap and Seal | 1 | |
| 4 | 052204 | Starter Relay | 1 | | 8 | 052214 | Fuse | 1 | 5A |

Udskiftning af tændingskontakter



Start med at samle grå og gul ledning på maskinen.
De er til lyset, som vil være tændt konstant når motoren er startet.

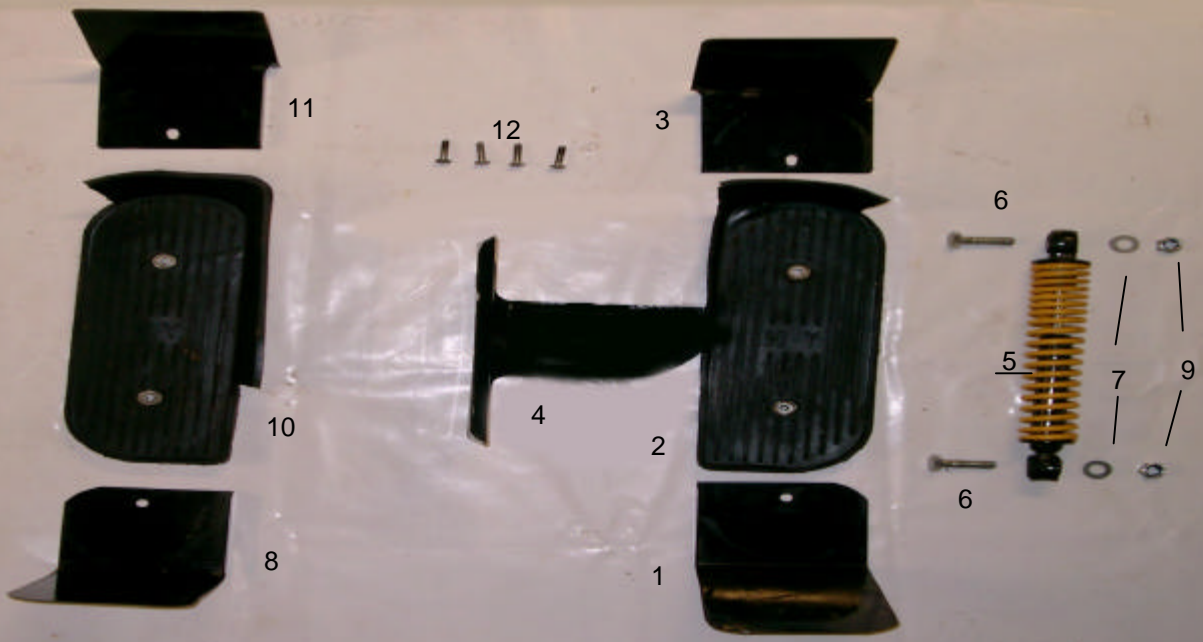
Monter kabelsko på ledningerne.
Monter så ledningerne i stikholderen.
Ledningsfarverne skal monteres som følger :

RØD til RØD LEDNING
SORT til ORANGE LEDNING
GRØN til GRØN LEDNING
SORT/HVID til SORT/HVID

Start by connecting gray and yellow wire on the machine.
They are for the lights, which will be turned on constant when the engine is started.

Mount cabelshoes on the wires.
Mount the wires in the holder.
The colours must be mounted as this :

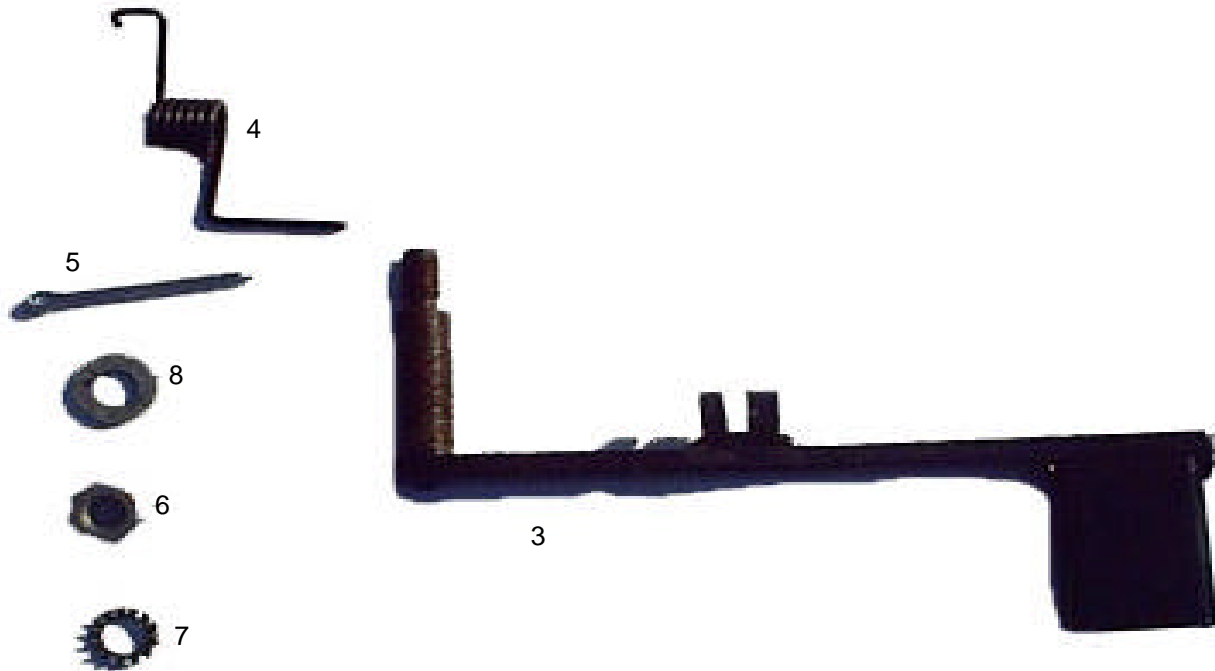
RED to RED WIRE
BLACK to ORANGE WIRE
GREEN to GREEN WIRE
BLACK/WHITE to BLACK/WHITE



| No. | Part,no | Description | Q`ty | Remarks | No. | Part,no | Description | Q`ty | Remarks |
|-----|----------|-------------------|------|---------|-----|----------|------------------|------|---------|
| 1 | 052301-1 | Right end plate | 1 | | 7 | 052307 | Washer | 2 | |
| 2 | 052302-1 | Right footplate | 1 | | 8 | 052305-1 | Left end plate | 1 | |
| 3 | 052303-1 | Right front plate | 1 | | 9 | 052309 | Lock nut | 2 | |
| 4 | 052304-1 | Gart plate | 1 | | 10 | 052306-1 | Left footplate | 1 | |
| 5 | 052305 | Rear Shock | 1 | | 11 | 052307-1 | Left front plate | 1 | |
| 6 | 052306 | Bolt | 2 | | 12 | 052310 | Bolt | 4 | |



| No. | Part No. | Description | Q'ty | Remarks |
|-----|----------|-------------------------|------|---------|
| 1 | 052312 | Side protection (right) | 1 | |

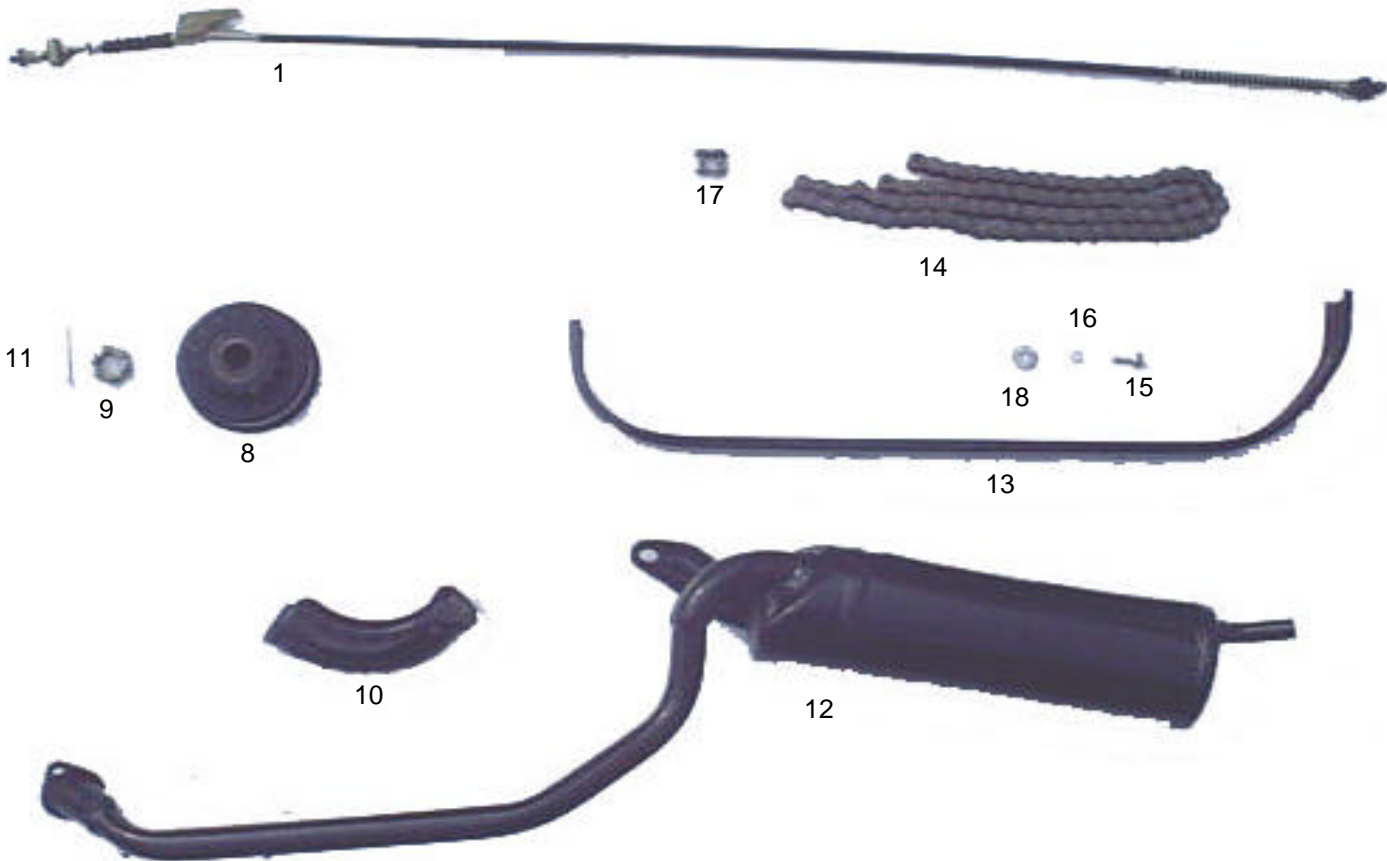


D-24

| No. | Part No. | Description | Q'ty | Remarks | No. | Part No. | Description | Q'ty | Remarks |
|-----|----------|------------------|------|---------|-----|----------|-------------|------|---------|
| 3 | 052603 | Foot Brake Pedal | | | 6 | 052606 | Nut | | |
| 4 | 052604 | Spring | | | 7 | 052607 | Lockwasher | | |
| 5 | 052605 | Cotterpin | | | 8 | 052608 | Washer | | |



| No. | Part No. | Description | Q'ty | Remarks | No. | Part No. | Description | Q'ty | Remarks |
|-----|----------|---------------|------|---------|-----|----------|-------------------|------|----------|
| 1 | 062501 | Washer | | | 16 | 062516 | Washer | | |
| 2 | 062502 | Spacer | | | 17 | 062517 | Adjustment Sleeve | | |
| 3 | 062503 | Spacer | | | 18 | 062518 | Sprocket Mount | | |
| 4 | 062504 | Spacer | | | 19 | 062519 | Spacer | | |
| 5 | 062505 | Hub | | | 20 | 062520 | Bracket | | |
| 6 | 052408-1 | Rim | | | 21 | 062521 | Bolt | | |
| 7 | 052407 | Tire | | | 22 | 062522 | Cotter Pin | | |
| 8 | 062508 | Rear Axle | | | 23 | 062523 | Axle Nut | | |
| 9 | 062509 | Clip Axle | | | 24 | 062524 | Lockwasher | | |
| 10 | 062510 | Bearing Mount | | | 25 | 062525 | Bearing | | 6205 RS |
| 11 | 062511 | Swingarm | | | 26 | 062526 | Sprocket | | |
| 12 | 062512 | Bolt | | | 27 | 052412 | Inner Tube | | 16-800-7 |
| 13 | 062513 | Nut | | | 28 | 062528 | Bolt | | |
| 14 | 062514 | Bolt | | | 29 | 062529 | Washer | 2 | |
| 15 | 062515 | Lockwasher | | | 30 | 062530 | Locknut | | |
| | | | | | 31 | 062123 | Hub Cap | | |



| No. | Part No. | Description | Q'ty | Remarks | No. | Part No. | Description | Q'ty | Remarks |
|-----|----------|------------------|------|---------|-----|----------|-------------|------|---------|
| 1 | 062601 | Rear Brake Cable | | | 13 | 062613 | Chain Guard | | |
| 8 | 062608 | Sprocket/Hub | | | 14 | 062614 | Chain | | |
| 9 | 062609 | Nut | | | 15 | 062615 | Bolt | | |
| 10 | 062610 | Exhaust Mount | | | 16 | 062516 | Lockwasher | | |
| 11 | 062522 | Cotterpin | | | 17 | 062517 | Masterlink | | |
| 12 | 062612-1 | Silencer | | | 18 | 062518 | Washer | | |



1



| No | Part No | Description | Q'ty | Remarks | No | Part No | Description | Q'ty | Remarks |
|----|----------|-------------|------|---------|----|----------|-------------|------|---------|
| 1 | 062702-1 | Bumper | 1 | | 4 | 90100693 | Lock nut | 2 | M10 |
| 2 | 90102779 | Bolt | 1 | M10x60 | 5 | 90102792 | Bolt | 1 | M10x150 |
| 3 | GB971-10 | Washer | 4 | Ø10 | 6 | | | | |