

PARTS LIST

CHAIN SAWS

**G561AVS
G621AVS**

APPLICABLE SERIAL NUMBERS:

G561AVS ——— 513501 and up
G621AVS ——— 517601 and up

JANUARY 1995

Fig. 1

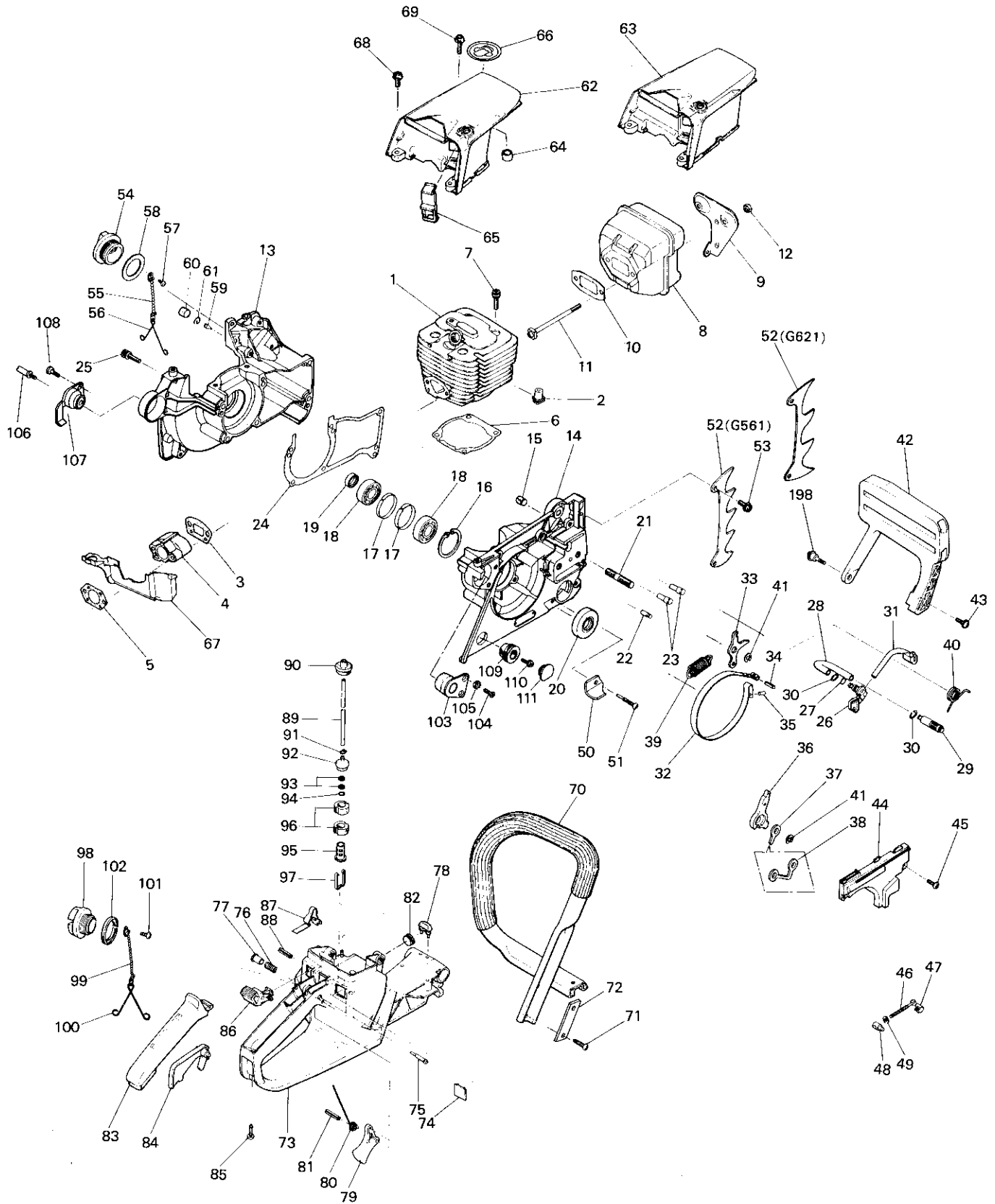
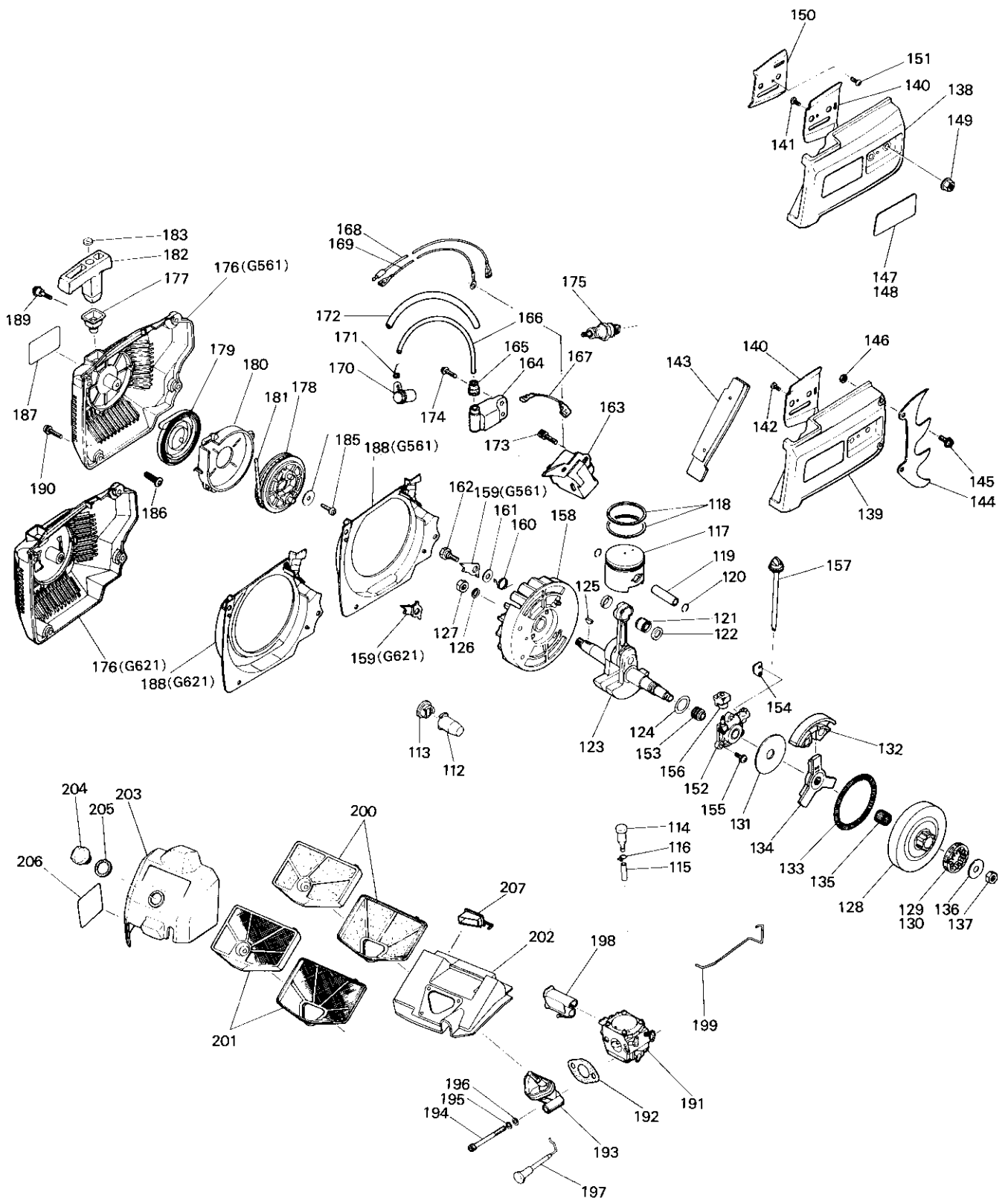


Fig.2



Key No.	Part Number		Description	Q'ty /Unit	Remarks
	G561	G621			
1 - 1	2616-12112	2616-12115	CYLINDER	1	K4
- 2	3356-12141		GROMMET	1	K4
- 3	2616-14110		GASKET, insulator	1	K1
- 4	2616-14120	2616-14120	INSULATOR	1	
- 5	2616-14130	2618-14130	GASKET, carburetor	1	K1
- 6	2616-14210		GASKET, cylinder base	1	K1, K4
- 7	3310-12281		BOLT	4	K4
	3356-15103		MUFFLER ASSEMBLY	1	Incl. 8 & 9
- 8	3356-15110		MUFFLER	1	
- 9	3356-15123		STAY	1	
- 10	3356-15210		GASKET, muffler	1	K1
- 11	3356-15220		BOLT	2	
- 12	3356-15230		NUT	2	
	2616-21002		CRANKCASE ASSEMBLY	1	Incl. 13 thru 24
- 13	☆		CRANKCASE MAG	1	☆2616-21002 K4
- 14	☆		CRANKCASE PTO	1	☆2616-21002 K4
- 15	3356-21130		PIN	3	K4
- 16	04065-03515		SNAP RING	1	K4
- 17	2616-21250		RING	2	
- 18	06030-06202		BEARING	2	K4
- 19	3350-21210		OIL SEAL, MAG	1	K4
- 20	1400-21220		OIL SEAL, PTO	1	K4
- 21	2616-21230		STUD	2	K4
- 22	3350-21250		SPRING PIN	1	K4
- 23	3356-21270		PIN, brake arm	2	K4
- 24	3356-21310		GASKET, crankcase	1	K1, K4
- 25	3310-12281		BOLT	6	K4
	3356-23100		OIL PIPE COMPLETE	1	Incl. 26 thru 30
- 26	3356-23110		PIPE, oil	1	
- 27	07000-01008		O-RING	1	
- 28	3310-57312		PIPE	1	
- 29	3310-57412		WEIGHT	1	
- 30	3310-57511		CLIP	2	
- 31	3356-23211		PIPE, oil	1	
	3356-24101		BRAKE BAND COMPLETE	1	Incl. 32 thru 34
- 32	3356-24111		BAND, brake	1	
- 33	3356-24120		ARM, brake	1	
- 34	04025-00408		SPRING PIN	1	
- 35	3356-24140		ROLLER	1	
- 36	3356-24210		LEVER	1	
- 37	3356-24220		STOPPER, brake	1	
- 38					
- 39	2622-24600		SPRING, brake	1	
- 40	3356-24240		SPRING	1	
- 41	0308-00060		SNAP RING	2	
- 42	3356-24313		GUARD	1	
- 43	2616-24320		SCREW	1	
- 44	3356-24412		COVER, brake	1	
- 45	0263-60514		SCREW	2	
- 46	3350-25111		SCREW, chain adjust	1	
- 47	3350-25121		STOPPER, adjust screw	1	
- 48	3320-21191		NUT (A)	1	
- 49	01641-20508		WASHER	1	
- 50	2616-25210		CATCHER, chain	1	
- 51	2616-25230		SCREW	1	
- 52	3350-25310	2623-25310	SPIKE	1	
- 53	2616-25320		SCREW	2	
	3356-26100		CAP ASSEMBLY, oil tank	1	Incl. 54 thru 58
- 54	☆		CAP, oil tank	1	☆3356-26100
- 55	☆		CHAIN, cap	1	☆3356-26100
- 56	☆		STOPPER	1	☆3356-26100
- 57	☆		SCREW	1	☆3356-26100

Key No.	Part Number		Description	Q'ty /Unit	Remarks
	G561	G621			
1 - 58		3317-57220	GASKET	1	
- 59		3330-23121	VALVE	1	
- 60		3350-26220	SEAL, breather	1	
- 61		3350-26230	CLIP	1	
		2616-31103	COVER COMPLETE, cylinder	1	Incl. 62 thru 65
- 62		2616-31110	COVER, cylinder	1	
- 63		2626-31110	COVER, cylinder	1	OP K5
- 64		3356-31120	CAP, cylinder cover	1	K5
- 65		3356-31152	GROMMET	1	K5
- 66		3356-31160	LABEL	1	
- 67		3356-31212	SEAL, cylinder cover	1	
- 68		0263-90514	SCREW	2	
- 69		0263-90520	SCREW	1	
- 70		2620-32100	FRONT HANDLE COMPLATE	1	
- 71		2671-32210	SCREW	4	
- 72		2851-32180	PLATE	2	
		2622-33006	REAR HANDLE ASSEMBLY	1	Incl. 73 thru 82
- 73		2622-33105	REAR HANDLE COMPLETE	1	
- 74		3350-33220	PLATE	1	
- 75		3330-33250	STOPPER	1	
- 76		3310-33262	SPRING	1	
- 77		3310-33271	KNOB	1	
- 78		2810-33280	DAMPER (A)	1	
- 79		3356-33311	LEVER, throttle	1	
- 80		3356-33321	SPRING, throttle	1	
- 81		04025-00524	SPRING PIN	1	
- 82		2616-33412	DAMPER (B)	1	
- 83		3356-34111	COVER, grip	1	
- 84		3356-33351	ARM	1	
- 85		3356-32210	SCREW	1	
- 86		3350-34210	LEVER, switch	1	
- 87		3356-34221	SPRING, switch	1	
- 88		2616-34230	SPRING PIN	1	
		3356-34301	FUEL PIPE ASSEMBLY	1	Incl. 89 thru 97
- 89		3356-34310	PIPE	1	
- 90		3356-34320	GROMMET	1	
- 91		1260-85460	CLIP	1	
		3302-85400	FILTER ASSEMBLY	1	Incl. 94 thru 97
- 92		☆	BODY	1	☆3302-85400
- 93		3302-85420	SCREEN	2	
- 94		☆	RING	1	☆3302-85400
- 95		☆	SLEEVE	1	☆3302-85400
- 96		3306-85450	FILTER	2	
- 97		☆	CLIP	1	☆3302-85400
		3350-34400	CAP ASSEMBLY, fuel tank	1	Incl. 98 thru 102
- 98		☆	CAP, fuel tank	1	☆3350-34400
- 99		☆	CHAIN, cap	1	☆3350-34400
- 100		☆	STOPPER	1	☆3350-34400
- 101		☆	SCREW	1	☆3350-34400
- 102		3350-34450	GASKET	1	
- 103		2616-35151	DAMPER, rear right	1	
- 104		0262-10514	SCREW	2	
- 105		3320-14140	WASHER	2	
- 106		2616-35170	BOLT	2	
- 107		2616-35132	DAMPER, rear left	1	
- 108		2616-25320	SCREW	2	
- 109		2616-35141	DAMPER, rear right bottom	1	
- 110		1490-32120	SCREW	1	
- 111		2616-35181	CAP	1	

Key No.	Part Number		Description	Q'ty /Unit	Remarks
	G561	G621			
2 - 112		2616-35112	DAMPER, front	2	
- 113		3356-35121	CAP	2	
		3350-34501	BREATHER ASSEMBLY	1	Incl. 114 thru 116
- 114		3317-86100	BREATHER	1	
- 115		3350-34540	PIPE	1	
- 116		1260-85460	CLIP	1	
- 117	2616-41112	2618-41112	PISTON	1	K4
- 118	2616-41210	2618-41210	RING, piston	2	K4
- 119	3360-41310	3366-41310	PIN, piston	1	K4
- 120		3350-41320	SNAP RING	2	K4
- 121		1400-41410	NEEDLE BEARING	1	K4
- 122		2616-41510	THRUST WASHER	2	K4
- 123		2616-42007	CRANKSHAFT COMPLETE	1	K4
- 124		1300-42410	SHIM	0~2	K4
- 125		1000-43240	KEY	1	
- 126		0290-21025	WASHER	1	
- 127		1300-43231	NUT	1	
- 128		3350-51110	DRUM, clutch	1	
- 129	3350-51121	3360-51120	RIM, sprocket	1	325P X 7T 3/8P X 7T
- 130		3350-98810	RIM, sprocket	1	OP 325P X 8T
- 131		2616-51202	CLUTCH ASSEMBLY	1	Incl. 131 thru 134
- 132		2616-51210	PLATE, clutch	1	
- 133		☆	SHOE, clutch	1	☆2616-51202
- 133		3350-51231	SPRING, clutch	1	
- 134		☆	BOSS, clutch	1	☆2616-51202
- 135		3320-41410	NEEDLE BEARING	1	
- 136		3350-51320	WASHER	1	
- 137		3310-43220	NUT	1	
- 138		3356-53003	CHAIN COVER ASSEMBLY	1	Incl. 138 thru 141
- 138		----- 2618-53002	CHAIN COVER ASSEMBLY	1	OP Incl. 139 thru 143
- 139		☆	CHAIN COVER	1	☆3356-26100
- 139		----- ☆	CHAIN COVER	1	OP ☆2618-53002 K6
- 140		3356-53220	PLATE, outer	1	K6
- 141		0277-10410	SCREW	1	
- 142		----- 0261-00410	SCREW	1	OP K6
- 143		----- 2616-53300	PROTECTOR COMPLETE	1	OP K6
- 144		----- 2618-53510	SPIKE	1	OP K6
- 145		----- 2670-14320	SCREW	2	OP K6
- 146		----- 3310-53331	NUT	2	OP K6
- 147		-----			
- 148	2622-53121	2623-53120	LABEL	1	
- 149		3350-53410	NUT, chain cover	2	
- 150		3356-53210	PLATE, inner	1	
- 151		0261-00410	SCREW	1	
- 152		3356-55102	OIL PUMP ASSEMBLY	1	Incl. 152 & 153
- 152		3356-55112	BODY	1	
- 153		3356-55120	WORM	1	
- 154		3356-55310	GASKET, oil pump	1	
- 155		0263-90520	SCREW	3	
- 156		3356-55450	GROMMET, oil pump	1	
- 157		3356-55511	SHAFT, oil adjust	1	
- 158	2616-71102	2618-71102	ROTOR COMPLETE	1	Incl. 158 thru 162
- 158		2616-71112	ROTOR	1	
- 159	3320-71120	3366-71120	RATCHET	2	
- 160		3350-71131	SPRING	2	
- 161		3388-71150	WASHER	2	
- 162		3310-71142	BOLT	2	
- 163		2616-71210	SOURCE COIL	1	

Key No.	Part Number		Description	Qty /Unit	Remarks
	G561	G621			
2 - 164	2616-71301		IGNITION COIL COMPLETE	1	Incl. 164 thru 166
- 165	☆		COIL, ignition	1	☆2616-71301
- 166	2616-71320		GROMMET	1	
- 167	2616-71331		CORD, high tension	1	
- 168	2616-71410		CORD, primary	1	
- 169	2616-71420		CORD, switch	1	
- 170	2616-71430		CORD, earth	1	
- 171	2850-72110		CAP, spark plug	1	
- 172	1400-72121		SPRING, plug cap	1	
- 173	2850-71320		TUBE, high tension	1	
- 174	3350-15250		BOLT	2	
- 175	0263-30416		SCREW	2	
	3356-73110		SPARK PLUG	1	Champion CJ-7Y
	2616-75002	2618-75002	STARTER ASSEMBLY	1	Incl. 176 thru 186
	2616-75104	2618-75103	STARTER CASE COMPLETE	1	Incl. 176 & 177
- 176	☆	☆	CASE, STARTER	1	☆2616-75104/☆2618-75103
- 177	2616-75120		GUIDE, rope	1	
- 178	3350-75213		REEL	1	
	3356-75302		SPIRAL SPRING COMPLETE	1	Incl. 179 & 180
- 179	☆		SPRING, spiral	1	☆3356-75302
- 180	☆		HOLDER, spring	1	☆3356-75302
- 181	3356-75410		ROPE	1	
- 182	3350-75420		KNOB, starter	1	
- 183	3310-75431		WASHER	1	
- 184	3320-75350		WASHER	1	
- 185	1490-32120		SCREW	1	
- 186	2630-82550		SCREW	2	
- 187	2622-75130	2623-75130	LABEL	1	
- 188	3356-75612	3366-75612	COVER, fan	1	
- 189	2616-75710		SCREW	1	
- 190	2616-75720		SCREW	3	
- 191	2616-81002	2618-81005	CARBURETOR ASSEMBLY	1	Ref. Fig. 3
- 192	2616-82220		GASKET, manifold	1	K1
- 193	3356-82114		MANIFOLD	1	
- 194	3356-82210		BOLT	2	
- 195	01601-20513		WASHER	2	
- 196	01641-20508		WASHER	2	
- 197	2616-82310		ROD, choke	1	
- 198	3356-82321		GUIDE, adjuster	1	
- 199	2616-82410		ROD, throttle	1	
- 200	3356-83104		AIR CLEANER COMPLETE	1	Felt type
- 201	3356-98200		AIR CLEANER COMPLETE	1	OP Nylon net type
- 202	2616-83200		SILENCER COMPLETE	1	
	2622-83302		CLEANER COVER COMPLETE	1	Incl. 203 thru 205
- 203	☆		COVER, air cleaner	1	☆2622-83302
- 204	3356-83322		KNOB	1	
- 205	3388-83340		GASKET, knob	1	
- 206	3356-83351		LABEL	1	
- 207	2610-83220		CAP, silencer	1	OP K5

Fig. 3

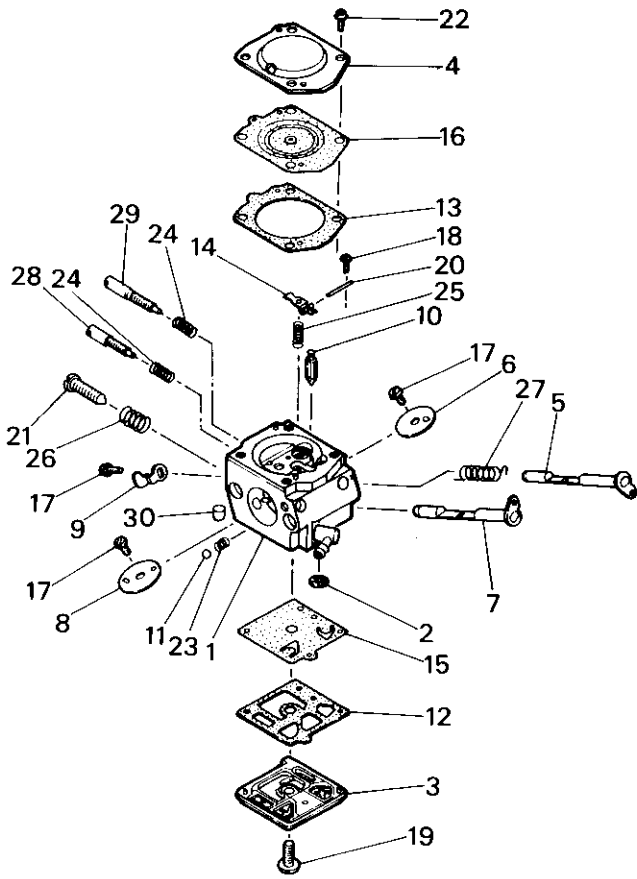


Fig. 4

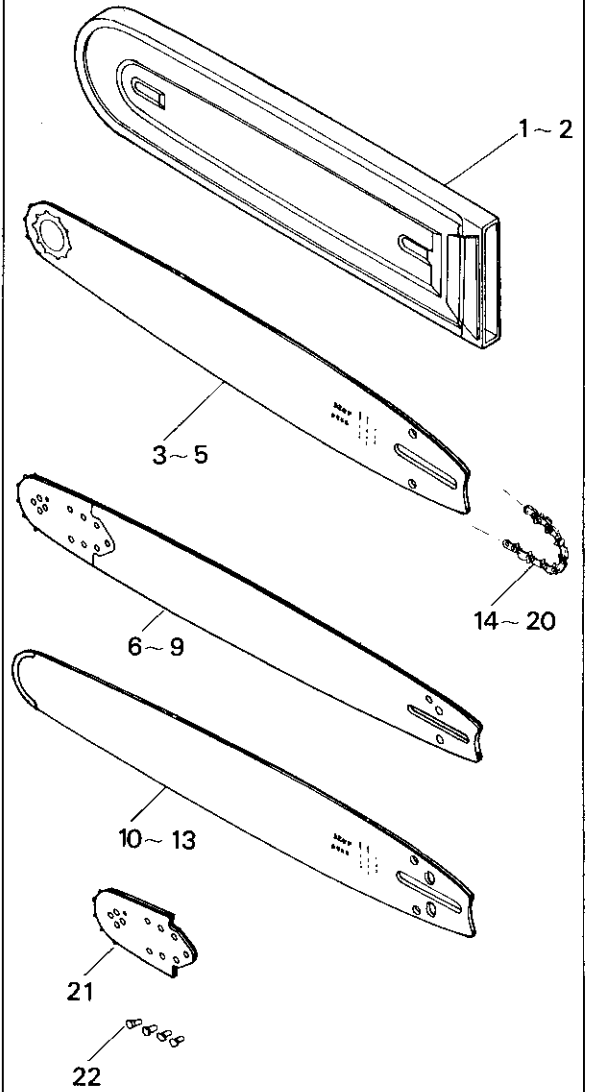


Fig. 5

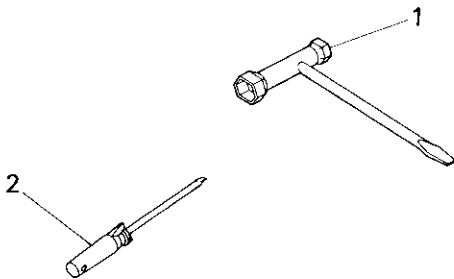
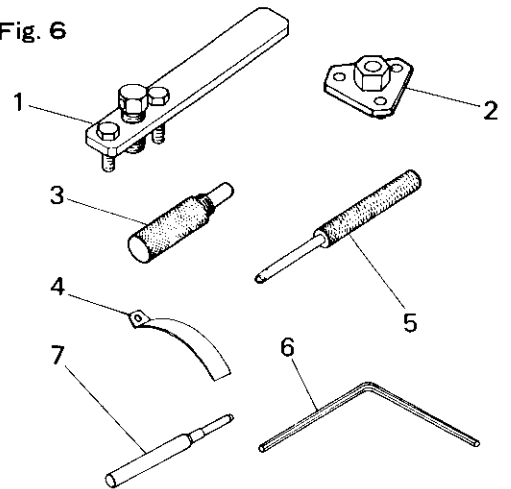


Fig. 6



Key No.	Part Number		Description	Qty /Unit	Remarks	
	G561	G621				
3 - 1	2616-81002 ☆	2618-81005 ☆	CARBURETOR ASSEMBLY	1	☆2616-81002 ☆2618-81005	
- 2			BODY ASSEMBLY	1		
- 3	3306-81380		SCREEN, inlet	1		
- 4	3350-81130		COVER, pump	1		
- 5	3350-81140		COVER, diaphragm	1		
- 6	3388-81150	3366-81151	SHAFT ASSEMBLY, throttle	1		
- 7	2616-81340	3366-81340	VALVE, throttle	1		
- 8	3356-81171		SHAFT ASSEMBLY, choke	1		
- 9	2616-81180		VALVE, choke	1		
- 10	3350-81190		STOP, throttle	1		
- 11	3356-81310		VALVE, inlet	1		
- 12	3350-81220		BALL, friction	1		
- 13	3350-81230		GASKET, pump	1		K2
- 14	3350-81240		GASKET, diaphragm	1		K2
- 15	3350-81250		LEVER, metering	1		
- 16	3350-81260		DIAPHRAGM, pump	1		K3
- 17	3350-81270		DIAPHRAGM ASSEMBLY	1		K3
- 18	3310-81360		SCREW, valve	3		
- 19	3310-81240		SCREW, metering lever	1		
- 20	3310-81130 1491-81130		SCREW, pump cover	1		
- 21	3310-81250		PIN, metering lever	1		
- 22	2630-81330 2670-81430		SCREW, idle speed	1		
- 23	3310-81351		SCREW ASSEMBLY	4		
- 24	3350-81350		SPRING, friction	1		
- 25	1491-81161		SPRING, needle adjust	2		
- 26	3350-81370		SPRING, metering lever	1		
- 27	3350-81380		SPRING, idle speed	1		
- 28	3350-81391		SPRING, throttle return	1		
- 29	2616-81411		NEEDLE, high speed	1		
- 30	3366-81421 3356-81420		NEEDLE, idle	1		
	3356-81430		PLUG, friction	1		
4 - 1	3637-97110		PROTECTOR, guide bar	1	OP for 16"~18" bar	
- 2	3369-97110		PROTECTOR, guide bar	1	OP for 20"~24" bar	
- 3	3663-52113 3670-52112		BAR 16", sprocket nose	1	OP 325P 3/8P	
- 4	3664-52113 3673-52113		BAR 18", sprocket nose	1	OP 325P 3/8P	
- 5	3674-52113		BAR 20", sprocket nose	1	OP 3/8P	
- 6	3678-52100		BAR 16", replaceable nose	1	OP 3/8P	
- 7	3677-52101		BAR 18", replaceable nose	1	OP 3/8P	
- 8	3678-52101		BAR 20", replaceable nose	1	OP 3/8P	
- 9	3679-52102		BAR 24", replaceable nose	1	OP 3/8P	
- 10	3680-52120		BAR 16", hard nose	1	OP	
- 11	3681-52122		BAR 18", hard nose	1	OP	
- 12	3692-52121		BAR 20", hard nose	1	OP	
- 13	2948-52110		BAR 24", hard nose	1	OP	
- 14	3670-52220		CHAIN, for 16" bar	1	OP 73LG-60E	
- 15	3673-52220		CHAIN, for 18" bar	1	OP 73LG-66E	
- 16	3674-52220		CHAIN, for 20" bar	1	OP 73LG-72E	
- 17	3679-52230		CHAIN, for 24" bar	1	OP 73LG-84E	
- 18	3663-52210	——	CHAIN, for 16" bar	1	OP 218P-68E	
- 19	3664-52210	——	CHAIN, for 18" bar	1	OP 218P-74E	
- 20	3665-52210	——	CHAIN, for 20" bar	1	OP 218P-81E	
- 21	3679-06010		NOSE KIT	1	OP Incl. 21 & 22	
- 22	☆ 3679-52130 ☆		NOSE COMP.	1	OP ☆3679-06010	
			RIVET	4	OP	
5 - 1	3320-91140		PLUG WRENCH	1		
- 2	2670-91150		SCREWDRIVER	1		

Key No.	Part Number		Description	Qty /Unit	Remarks
	G561	G621			
		2616-96000	SPECIAL TOOL KIT	1	OP Incl. 1 thru 7
6 - 1		2890-96100	PULLER ASSEMBLY, rotor	1	OP
- 2		2616-96210	WRENCH, clutch	1	OP
- 3		3350-96220	STOPPER, piston	1	OP
- 4		3350-96240	GAUGE, air gap	1	OP
- 5		3350-96510	GUIDE, brake spring	1	OP
- 6		3330-97210	WRENCH	1	OP
- 7		3356-96230	GUIDE, piston pin	1	OP
K1	2616-06010	2618-06010	GASKET KIT	1	OP for ENGINE
K2		3350-06020	GASKET KIT	1	OP for CARBURETOR
K3		3350-06030	DIAPHRAGM KIT	1	OP for CARBURETOR
K4	2622-06053	2623-06054	SHORT BLOCK	1	OP
K5		2616-06081	INTAKE PREHEAT KIT	1	OP
K6	———	2623-06011	DOUBLE SPIKE KIT	1	OP