



**KOMATSU
ZENOH**

G300AV/G300AVS

PARTS LIST

CHAIN SAWS

**G300AV
G300AVS**

KOMATSU ZENOH CO.

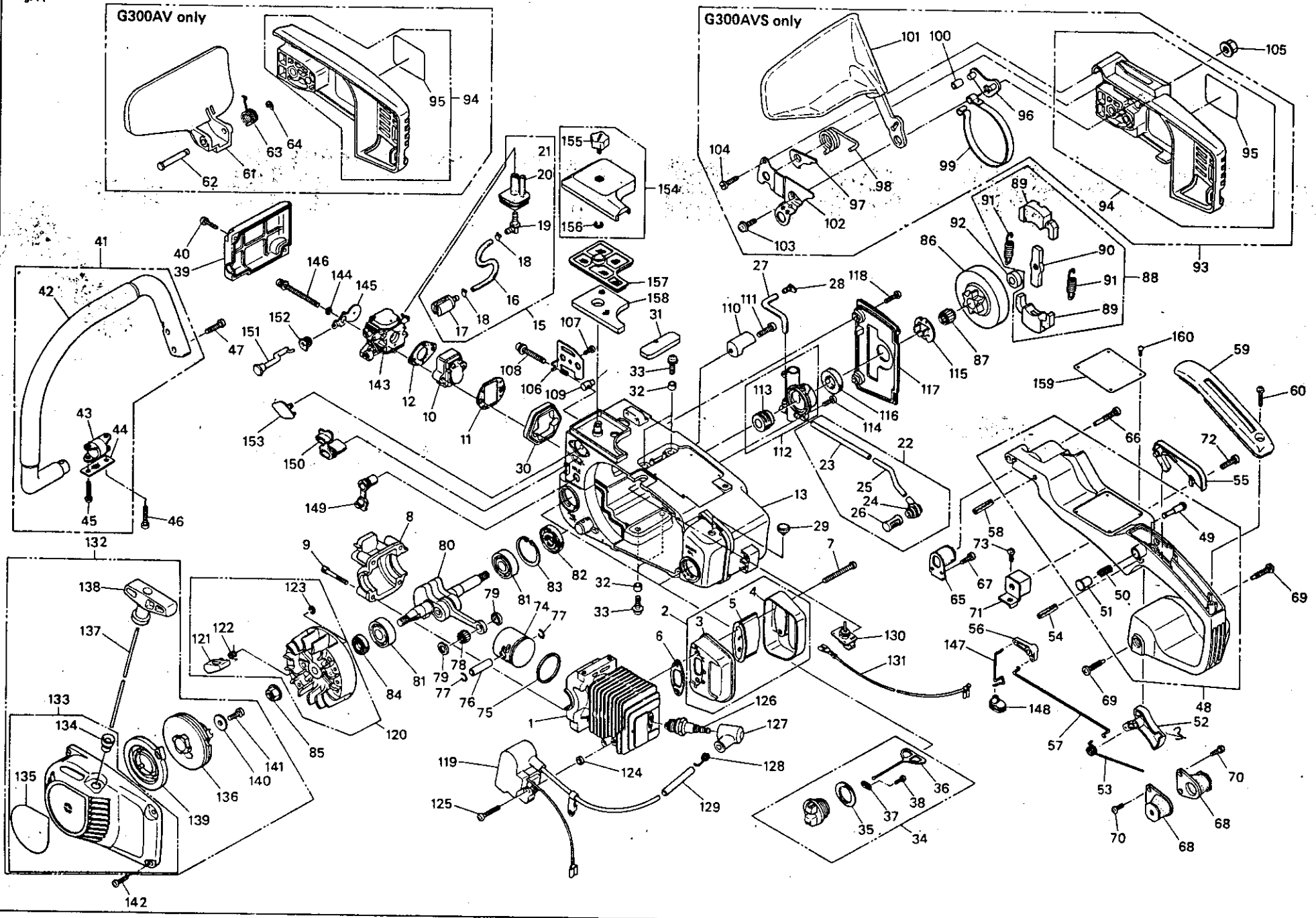
2-142-1, Sakuragaoka, Higashiyama.

Tokyo 189 Japan

Phone 0425-61-2141 Telex 2842-243

Form.No.22B-1002-06010-00

Fig. A

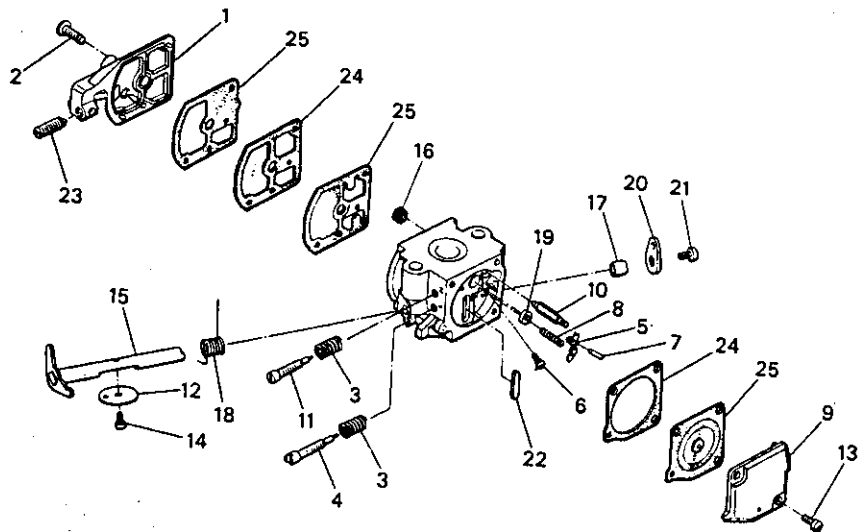


| Fig. No. | Parts Number | | Description | Q'ty /Unit | Remarks |
|----------|--------------|---------|--------------------|------------|---------|
| | Q300AV | Q300AVS | | | |
| A-1 | 2630-12110 | | CYLINDER | 1 | |
| 2 | 2630-15100 | | MUFFLER ASS'Y | 1 | |
| 3 | 2630-15110 | | BASE | 1 | |
| 4 | 2630-15120 | | COVER | 1 | |
| 5 | 2630-15130 | | BAFFLE | 1 | |
| 6 | 2630-15210 | | GASKET | 1 | |
| 7 | 3330-15220 | | BOLT | 2 | |
| 8 | 2630-21111 | | CRANCKCASE | 1 | |
| 9 | 01252-30630 | | BOLT | 4 | |
| 10 | 2630-22100 | | VALVE ASS'Y | 1 | |
| 11 | 2630-22210 | | GASKET | 1 | |
| 12 | 3330-14120 | | GASKET | 1 | |
| 13 | 2640-31100 | | ENGINE CASE COMP. | 1 | |
| 15 | 2631-31201 | | FUEL PIPE ASS'Y | 1 | |
| 16 | 1492-85410 | | PIPE | 1 | |
| 17 | 1750-85300 | | FILTER ASS'Y | 1 | |
| 18 | 1260-85460 | | CLIP | 2 | |
| 19 | 3350-34320 | | ELBOW | 1 | |
| 20 | 2631-31250 | | GROMMET | 1 | |
| 21 | 3317-86100 | | BREATHER ASS'Y | 1 | |
| 22 | 2630-31300 | | OIL PIPE ASS'Y | 1 | |
| 23 | 1492-85410 | | PIPE | 1 | |
| 24 | 2630-31320 | | GROMMET | 1 | |
| 25 | 2630-31330 | | JOINT | 1 | |
| 26 | 2630-31350 | | FILTER | 1 | |
| 27 | 1492-85410 | | PIPE | 1 | |
| 28 | 3370-31210 | | PIN | 1 | |
| 29 | 2630-31510 | | VALVE ASS'Y | 1 | |
| 30 | 2630-31610 | | SEAL | 1 | |
| 31 | 2630-31650 | | CAP | 1 | |
| 32 | 3370-31710 | | PIPE | 4 | |
| 33 | 2630-31750 | | SCREW | 4 | |
| 34 | 2630-31800 | | CAP ASS'Y | 2 | |
| 35 | 2630-31820 | | GASKET | 2 | |
| 36 | 2630-31830 | | STOPPER | 2 | |
| 37 | 2630-31840 | | CLIP | 2 | |
| 38 | 2630-82550 | | SCREW | 2 | |
| 39 | 2630-31910 | | COVER | 1 | |
| 40 | 2630-31960 | | SCREW | 2 | |
| 41 | 2641-32100 | | FRONT HANDLE ASS'Y | 1 | |
| 42 | 2641-32110 | | HANDLE | 1 | |
| 43 | 2630-32120 | | JOINT (A) | 1 | |
| 44 | 2630-32150 | | STOPPER | 1 | |
| 45 | 2630-32170 | | SCREW | 1 | |
| 46 | 2630-32170 | | SCREW | 1 | |
| 47 | 2630-32610 | | SCREW | 2 | |
| 48 | 2640-33100 | | REAR HANDLE COMP. | 1 | |
| 49 | 3330-33250 | | STOPPER | 1 | |
| 50 | 3310-33262 | | SPRING | 1 | |
| 51 | 3310-33271 | | KNOB | 1 | |
| 52 | 2640-33310 | | THROTTLE LEVER | 1 | |
| 53 | 3358-33321 | | SPRING | 1 | |
| 54 | 04025-00524 | | SPRING PIN | 1 | |
| 55 | 3358-33350 | | ARM | 1 | |
| 56 | 2640-33210 | | LINK | 1 | |
| 57 | 2640-33250 | | ROD | 1 | |
| 58 | 04025-00524 | | SPRING PIN | 1 | |
| 59 | 2640-33410 | | COVER | 1 | |
| 60 | 2630-31950 | | SCREW | 1 | |
| 61 | 2640-33450 | | GUARD | 1 | |

| Fig. No. | Parts Number | | Description | Q'ty /Unit | Remarks |
|----------|--------------|------------|-------------------|------------|---------|
| | Q300AV | Q300AVS | | | |
| A-82 | 3317-33621 | | PIN | 1 | |
| 83 | 3310-33631 | | SPRING | 1 | |
| 84 | 0308-00040 | | RING | 1 | |
| 85 | 2640-33510 | | JOINT (B) | 1 | |
| 86 | 2640-33530 | | BOLT | 1 | |
| 87 | 2630-33610 | | SCREW | 2 | |
| 88 | 2640-33710 | | JOINT (C) | 2 | |
| 89 | 2640-33630 | | BOLT | 2 | |
| 70 | 2630-75510 | | SCREW | 2 | |
| 71 | 2640-33810 | | JOINT (D) | 1 | |
| 72 | 0263-80612 | | SCREW | 1 | |
| 73 | 2630-75510 | | SCREW | 1 | |
| 74 | 2630-41110 | | PISTON | 1 | |
| 75 | 2630-41210 | | RING | 1 | |
| 76 | 2630-41310 | | PIN | 1 | |
| 77 | 1260-41320 | | SNAP RING | 2 | |
| 78 | 1101-41331 | | BEARING | 1 | |
| 79 | 2630-41340 | | WASHER | 2 | |
| 80 | 2630-42001 | | CRANKSHAFT COMP. | 1 | |
| 81 | 06030-06201 | | BEARING | 2 | |
| 82 | 2630-43160 | | OIL SEAL | 1 | |
| 83 | 04065-03212 | | SNAP RING | 1 | |
| 84 | 1100-21210 | | OIL SEAL | 1 | |
| 85 | 1650-43230 | | NUT | 1 | |
| 86 | 2631-51110 | | CLUTCH DRUM | 1 | |
| 87 | 3310-51310 | | BEARING | 1 | |
| 88 | 2630-51200 | | CLUTCH ASS'Y | 1 | |
| 89 | 2630-51210 | | SHOE | 2 | |
| 90 | 3330-51220 | | BOSS | 1 | |
| 91 | 2630-51230 | | SPRING | 2 | |
| 92 | 2630-51410 | | SPACER | 1 | |
| 93 | — 2642-54000 | | CHAIN BRAKE ASS'Y | 1 | |
| 94 | 2640-53100 | 2642-54100 | COVER COMPLETE | 1 | |
| 95 | 2640-53120 | 2642-54120 | LABEL | 1 | |
| 96 | — 2632-54210 | | ARM (A) | 1 | |
| 97 | — 3330-96221 | | ARM (B) | 1 | |
| 98 | — 3330-96231 | | SPRING | 1 | |
| 99 | — 3330-96251 | | BAND | 1 | |
| 100 | — 3330-96260 | | ROLLER | 1 | |
| 101 | — 3330-96311 | | GUARD | 1 | |
| 102 | — 2632-54410 | | PLATE | 1 | |
| 103 | — 2630-31750 | | SCREW | 1 | |
| 104 | — 2630-31950 | | SCREW | 1 | |
| 105 | 3350-53410 | | NUT | 1 | |
| 106 | 2630-53310 | | PLATE | 1 | |
| 107 | 1600-33130 | | SCREW | 1 | |
| 108 | 0263-20535 | | SCREW | 1 | |
| 109 | 3310-53320 | | NUT (A) | 1 | |
| 110 | 2630-53410 | | CATCHER | 1 | |
| 111 | 2630-32170 | | SCREW | 1 | |
| 112 | 2630-55100 | | OIL PUMP ASS'Y | 1 | |
| 113 | 2630-55180 | | GEAR | 1 | |
| 114 | 0261-00416 | | SCREW | 2 | |
| 115 | 2630-55210 | | PLATE | 1 | |
| 116 | 2630-55250 | | SEAL | 1 | |
| 117 | 2630-55310 | | COVER | 1 | |
| 118 | 2630-31950 | | SCREW | 2 | |
| 119 | 2631-71110 | | MODULE | 1 | |
| 120 | 2631-71200 | | ROTOR ASS'Y | 1 | |
| 121 | 2630-71220 | | PAWL | 2 | |

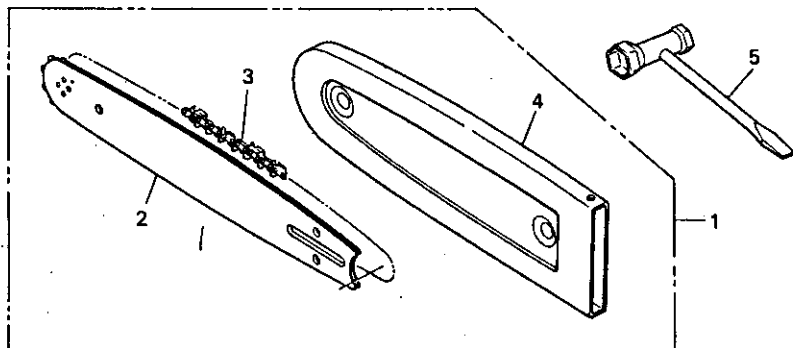
| Fig. No. | Parts Number | | Description | Q'ty /Unit | Remarks |
|----------|--------------|------------|-------------------------|------------|---------|
| | Q300AV | Q300AVS | | | |
| A-122 | 2630-71230 | | SPRING | 2 | |
| 123 | 0308-00040 | | SNAP RING | 2 | |
| 124 | 1260-71260 | | SPACER | 2 | |
| 125 | 0263-30425 | | SCREW | 2 | |
| 126 | 3330-71410 | | SPARK PLUG | 1 | |
| 127 | 1400-72111 | | CAP | 1 | |
| 128 | 1400-72121 | | SPRING | 1 | |
| 129 | 2630-72210 | | TUBE | 1 | |
| 130 | 2630-72600 | | SWITCH ASS'Y | 1 | |
| 131 | 2630-72610 | | LEAD | 1 | |
| 132 | 2631-75000 | | STARTER ASS'Y | 1 | |
| 133 | 2631-75100 | | CASE COMP. | 1 | |
| 134 | 3330-75121 | | GUIDE | 1 | |
| 135 | 2631-75130 | | LABEL | 1 | |
| 136 | 2630-75210 | | REEL | 1 | |
| 137 | 1260-75151 | | ROPE | 1 | |
| 138 | 3330-75420 | | KNOB | 1 | |
| 139 | 3330-75201 | | HOLDER COMP. | 1 | |
| 140 | 2630-75410 | | WASHER | 1 | |
| 141 | 2630-75510 | | SCREW | 1 | |
| 142 | 2630-31950 | | SCREW | 4 | |
| 143 | 2631-81000 | | CARBURETOR ASS'Y | 1 | |
| 144 | 3310-82110 | | WASHER | 1 | |
| 145 | 2630-82120 | | CHOKE PLATE | 1 | |
| 146 | 2630-82140 | | SCREW | 2 | |
| 147 | 2640-82150 | | THROTTLE ROD | 1 | |
| 148 | 2630-82160 | | GROMMET | 1 | |
| 149 | 2630-82210 | | GROMMET (A) | 1 | |
| 150 | 2630-82220 | | GROMMET (B) | 1 | |
| 151 | 2630-82310 | | CHOKE ROD | 1 | |
| 152 | 3320-33310 | | GROMMET | 1 | |
| 153 | 2631-82550 | | CAP | 1 | |
| 154 | 2630-83100 | | CLEANER COVER SUB ASS'Y | 1 | |
| 155 | 2630-83120 | | KNOB | 1 | |
| 156 | 0308-00040 | | SNAP RING | 1 | |
| 157 | 2630-83610 | | CLEANER | 1 | |
| 158 | 2630-83610 | | ELEMENT | 1 | |
| 159 | 2641-33610 | 2642-33610 | LABEL | 1 | |
| 160 | 0304-02040 | | RIVET | 4 | |

Fig. B CARBURETOR



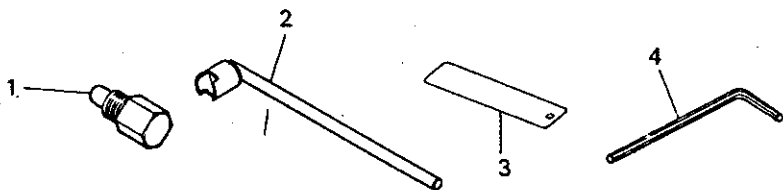
| Fig. No. | Parts Number | | Description | Q'ty/Unit | Remarks |
|----------|--------------|---------|-----------------------|-----------|---------|
| | G300AV | G300AVS | | | |
| B-1 | 2631-81120 | | PUMP COVER | 1 | |
| 2 | 2631-81130 | | SCREW | 1 | |
| 3 | 2631-81160 | | SPRING | 2 | |
| 4 | 2631-81170 | | SLOW ADJUST SCREW | 1 | |
| 5 | 2631-81230 | | METERING LEVER | 1 | |
| 6 | 2631-81240 | | SCREW | 1 | |
| 7 | 2631-81250 | | PIN | 1 | |
| 8 | 2631-81270 | | SPRING | 1 | |
| 9 | 2631-81280 | | COVER | 1 | |
| 10 | 2631-81310 | | NEEDLE VALVE | 1 | |
| 11 | 2631-81330 | | MAIN ADJUST SCREW | 1 | |
| 12 | 2631-81340 | | THROTTLE VALVE | 1 | |
| 13 | 2631-81350 | | SCREW | 2 | |
| 14 | 2631-81360 | | SCREW | 1 | |
| 15 | 2631-81370 | | SHAFT ASS'Y | 1 | |
| 16 | 2631-81380 | | STRAINER | 1 | |
| 17 | 2631-81390 | | COLLAR | 1 | |
| 18 | 2631-81410 | | SPRING | 1 | |
| 19 | 2631-81420 | | PLUG | 1 | |
| 20 | 2631-81440 | | LEVER | 1 | |
| 21 | 2631-81450 | | SCREW | 1 | |
| 22 | 2631-81460 | | FRICTION PIECE | 1 | |
| 23 | 2631-81470 | | THROTTLE ADJUST SCREW | 1 | |
| 24 | 2631-06010 | | GASKET KIT | 1 | |
| 25 | 2631-06020 | | DIAPHRAGM KIT | | |

Fig. C ACCESSORIES



| Fig. No. | Parts Number | | Description | Q'ty/Unit | Remarks |
|----------|--------------|---------|-------------|-----------|---------|
| | G300AV | G300AVS | | | |
| C-1 | 3606-00001 | | BAR SET | 1 | |
| 2 | 3606-52111 | | BAR 12" | 1 | |
| 3 | 3600-52210 | | CHAIN | 1 | |
| 4 | 3310-97112 | | PROTECTOR | 1 | |
| 5 | 3320-91140 | | WRENCH | 1 | |

Fig. D SPECIAL TOOLS



| Fig. No. | Parts Number | | Description | Q'ty/Unit | Remarks |
|----------|--------------|---------|-------------|-----------|---------|
| | G300AV | G300AVS | | | |
| D-1 | 3320-96410 | | STOPPER | - | OP. |
| 2 | 3330-97110 | | WRENCH | - | OP. |
| 3 | 3330-97310 | | GAUGE | - | OP. |
| 4 | 09007-00425 | | WRENCH | - | OP. |