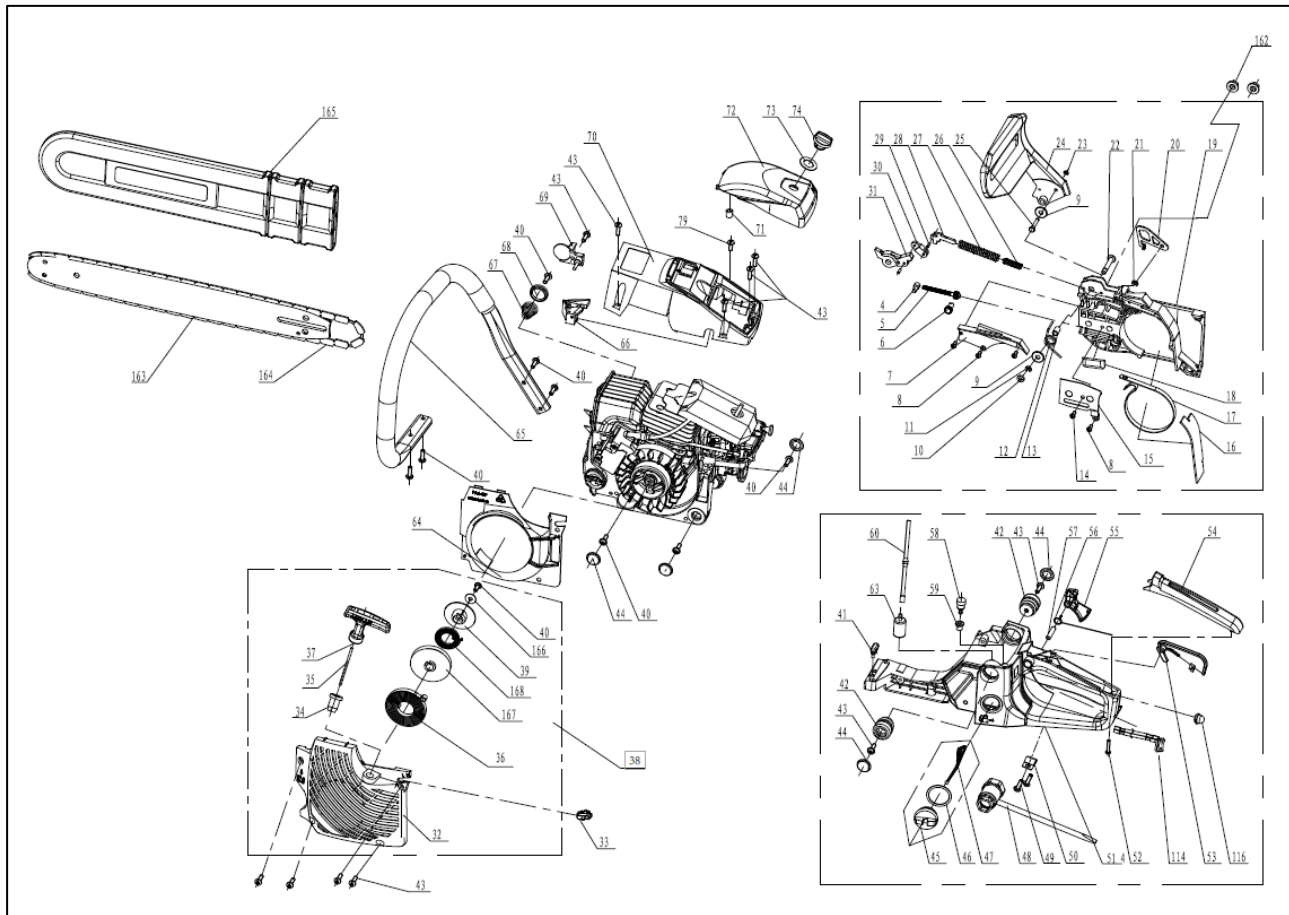


Model: CSP52500

Part Number: 90067019

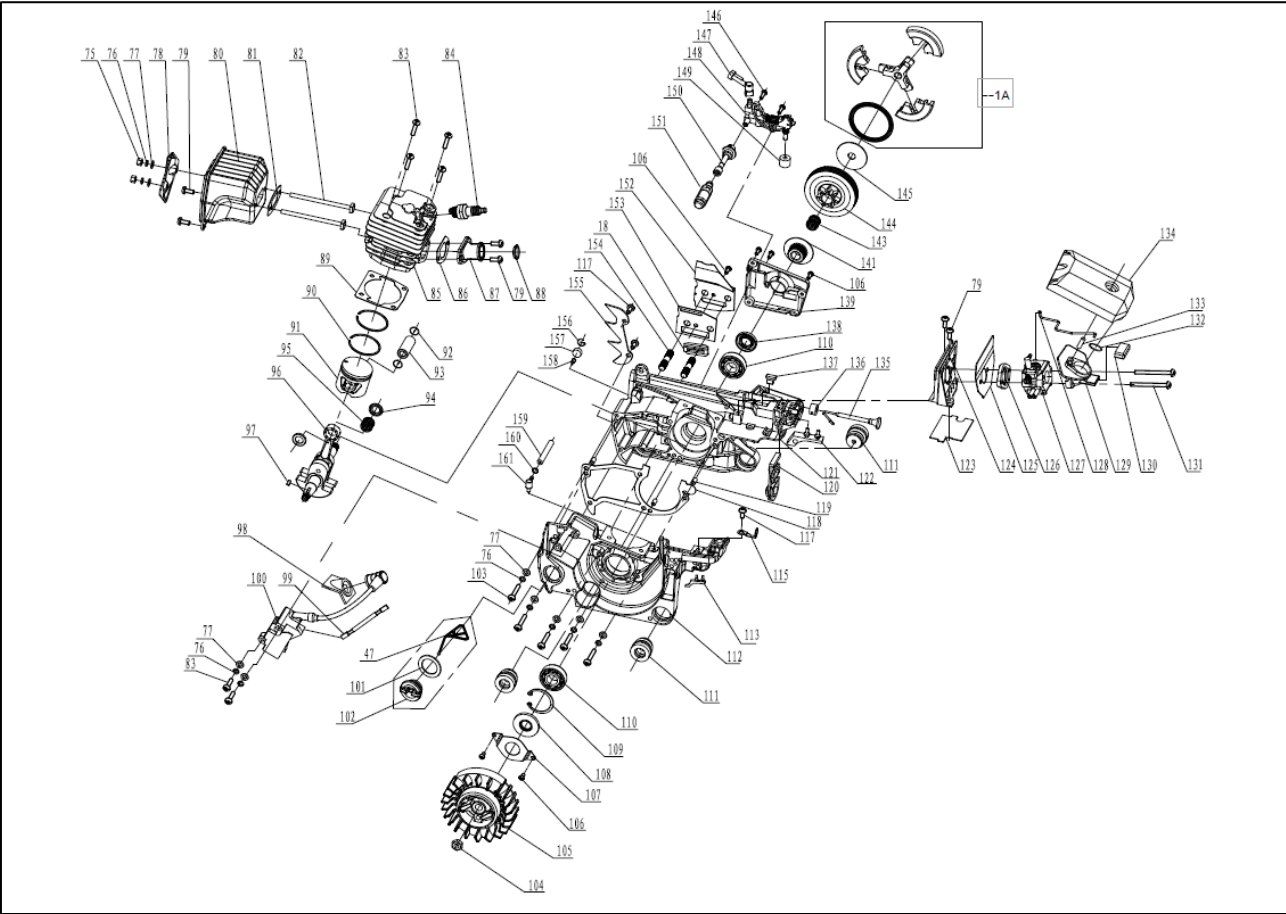
Year: 2018



Model: CSP52500

Part Number: 90067019

Year: 2018



| POS | QTY | PARTNUMBER | BESKRIVELSE | DESCRIPTION |
|-----|-----|------------|--------------------|-----------------------------------|
| 1A | 1 | 443420 | KOBLING | CLUTCH ASSY |
| 4 | 1 | 443261 | PIND | TIGHTENER |
| 5 | 1 | 443262 | SKRUE | TIGHTENER SCREW |
| 6 | 1 | 443263 | HOLDER | TIGHTENER GEAR WHEEL |
| 7 | 1 | 443264 | SKRUE | BRAKE SPRING COVER |
| 8 | 4 | 438279 | SKRUE ST4.2X10-H-F | ST4.2X10-H-F SCREW |
| 9 | 1 | 443265 | SKIVE | WASHER 6 |
| 10 | 1 | 443266 | SKIVE | SHOCK ABSORPTION RUBBER WASHER |
| 11 | 1 | 443267 | LÅS | CLIP 5 |
| 12 | 1 | 443268 | FJEDER | BRAKE GUARD TORSION ROD SPRING |
| 13 | 1 | 443269 | BØS | FRONT GUARD TUBE |
| 14 | 1 | 438226 | SKRUE M5X30 | M5X30 SCREW |
| 15 | 1 | 443270 | BREMSEFJEDER | GUIDE BAR OUTER PLATE |
| 16 | 1 | 443271 | DÆKSEL | DUST SHIELD |
| 17 | 1 | 443272 | BREMSE | BRAKE SPRING BELT |
| 18 | 2 | 443273 | DÆKSEL | CHAIN GUIDE BLOCK |
| 19 | 1 | 443274 | DÆKSEL | GUIDE BAR COVER |
| 20 | 1 | 443275 | BESLAG | LIMIT BOARD |
| 21 | 2 | 443276 | E-RING | CLIP 4 |
| 22 | 1 | 443277 | PINBOLT | BAFFLE PIN |
| 23 | 1 | 443278 | LÅS | CLIP 3 |
| 24 | 1 | 443279 | KÆDEBREMSE HÅNDTAG | BRAKE GUARD |
| 25 | 1 | 443280 | PINBOLT | LIMIT PIN |
| 26 | 1 | 443281 | BØS | ASSISTANT BRAKE SPRING |
| 27 | 1 | 443282 | FJEDER | BRAKE SPRING |
| 28 | 1 | 443283 | ARM | BRAKE CONTROL ROD |
| 29 | 2 | 438229 | SKRUE B4X10 | ROUND PIN B4X10 |
| 30 | 1 | 443284 | ARM | ASSISTANT LEVER |
| 31 | 1 | 443285 | BESLAG | MAIN LEVER |
| 32 | 1 | 443286 | REKYLSTARTER HUS | STARTER COVER |
| 33 | 1 | 443287 | BESLAG | L H JACKET |
| 34 | 1 | 443288 | GUMMIBØS | ROPE GUIDE COVER |
| 35 | 1 | 443289 | SNOR | STARTER ROPE |
| 36 | 1 | 443290 | FJEDER | STARTER COIL SPRING |
| 37 | 1 | 443291 | HÅNDTAG | STARTER HANDLE |
| 38 | 1 | 443292 | REKYLSTARTER KPL. | RECOIL STARTER ASSY |
| 39 | 1 | 443293 | SKIVE | STARTER WHEEL A |
| 40 | 2 | 443294 | SKRUE | SCREW ST4.8*16-H-F |
| 41 | 1 | 443295 | LÅG | OIL TANK SHOCK ABSORPTION RUBBER |
| 42 | 2 | 443296 | PROP | LONG ANTI-VIBARATION CUSHION BASE |
| 43 | 7 | 443297 | BOLT | SCREW M5*14 |
| 44 | 5 | 443298 | SKIVE | SHOCK ABSORPTION DUST SHIELD |
| 45 | 1 | 443299 | TANKLÅG | FUEL TANK CAP |
| 46 | 1 | 443299 | TANKLÅG | FUEL TANK CAP |
| 47 | 2 | 443300 | SKIVE | FUEL TANK CAP WASHER |
| 48 | 1 | 443302 | TÆNDRØRSNØGLE | SOCKET SPANNER |
| 49 | 1 | 443303 | SKRUE | SCREW ST2.9X5-H-C |

| POS | QTY | PARTNUMBER | BESKRIVELSE | DESCRIPTION |
|-----|-----|------------|-----------------|------------------------------------|
| 50 | 1 | 443304 | BESLAG | SOCKET SPANNER CLAMPING PIECE |
| 51 | 1 | 443305 | HÅNDTAG | FUEL TANK |
| 52 | 2 | 443306 | SKRUE | SCREW ST4.8*15-H-F |
| 53 | 1 | 443307 | TRIGGER | THORTTLE TRIGGER A |
| 54 | 1 | 443308 | LÅG | HANDLE COVER |
| 55 | 1 | 443309 | TRIGGER | THORTTLE TRIGGER B |
| 56 | 1 | 443310 | SKIVE | RESET SPRING |
| 57 | 1 | 443311 | BØS | PIN 6*25 |
| 58 | 1 | 443312 | PROP | BALANCER |
| 59 | 1 | 443313 | BØS | BALANCER BLOCK |
| 60 | 1 | 443314 | ÅNDERØR | FUEL PIPE |
| 63 | 1 | 443315 | BRÆNDSTOFFILTER | FUEL FILTER |
| 64 | 1 | 443316 | SKÆRM | COVER FAN |
| 65 | 1 | 443317 | BØJLE | FRONT HANDLE |
| 66 | 1 | 443318 | BESLAG | IDLE ADJUSTMENT GUIDE SLEEVE |
| 67 | 1 | 443319 | PROP | TAPER SPRING |
| 68 | 1 | 443320 | PROP | TAPER SPRING BLOCK |
| 69 | 1 | 443321 | BESLAG | CHAIN SAFEGUARD |
| 70 | 1 | 443322 | DÆKSEL | CYLINDER COVER |
| 71 | 1 | 443266 | SKIVE | SHOCK ABSORPTION RUBBER WASHER |
| 72 | 1 | 443323 | DÆKSEL | AIR FILTER COVER |
| 73 | 1 | 443324 | PAKNING | NUT WASHER |
| 74 | 1 | 443325 | FINGERSKRUE | AIR FILTER NUT |
| 75 | 2 | 443326 | MØTRIK | M5 NUT |
| 76 | 9 | 438251 | SKIVE 5 | FLAT WASHER 5 |
| 77 | 9 | 438250 | FJEDERSKIVE 5 | SPRING WASHER 5 |
| 78 | 1 | 443327 | DÆKSEL | MUFFLE COVER |
| 79 | 7 | 443328 | BOLT | SCREW M5*12 |
| 80 | 1 | 443410 | UDSTØDNING | MUFFLE ASSY |
| 81 | 1 | 443330 | PAKNING | MUFFLE SEAL WASHER |
| 82 | 2 | 443331 | STANG | MUFFLE BOLT |
| 83 | 6 | 438295 | SKRUE M5X30 | M5X30 SCREW |
| 84 | 1 | 438255 | TÆNDRØR BM6A | SPARK PLUG |
| 85 | 1 | 443332 | CYLINDER | CYLINDER |
| 86 | 1 | 443333 | PAKNING | IN PIPE SEAL WASHER |
| 87 | 1 | 443334 | ISOLATOR | IN PIPE |
| 88 | 1 | 443335 | O-RING | RETAINER |
| 89 | 1 | 443336 | PAKNING | CYLINDER SEAL WASHER |
| 90 | 2 | 443411 | STEMPELRING | PISTON RING 52CC |
| 91 | 1 | 443338 | STEMPEL | PISTON 45CC |
| 92 | 2 | 443339 | LÅSERING | PISTON PIN CIRCLIP 45CC |
| 93 | 1 | 443340 | KRYDSPIND | PISTON PIN 45CC |
| 94 | 2 | 443341 | LÅSERING | NEEDLE BEARING CLIP |
| 95 | 1 | 443342 | LEJE | NEEDLE BEARING NA11*15*12.5 |
| 96 | 1 | 443343 | PEJLSTANG | CRANKSHAFT CONNECTING ROD ASS'Y |
| 97 | 1 | 443344 | NOT | SEMICIRCULAR KEY 2.9*10 X3.7 |

| POS | QTY | PARTNUMBER | BESKRIVELSE | DESCRIPTION |
|-----|-----|------------|------------------------|--------------------------------|
| 98 | 1 | 443345 | DÆKSEL GUMMI | IGNITION COIL PROTECTIVE COVER |
| 99 | 1 | 443346 | LEDNING | FLAMEOUT WIRE |
| 100 | 1 | 443412 | TÆNDSPOLE | IGNITION COIL |
| 101 | 1 | 443348 | SKIVE | OIL CAP WASHER |
| 102 | 1 | 443349 | OLIEPROP | OIL CAP |
| 103 | 5 | 443413 | BOLT | SCREW M5*30 |
| 104 | 1 | 423136 | MØTRIK M8X1 | NUT M8X1 |
| 105 | 1 | 443414 | SVINGHJUL | FLY WHEEL |
| 106 | 6 | 443351 | SKRUE | SCREW M4*8 |
| 107 | 1 | 443352 | PLADE | OIL SEAL PLATE |
| 108 | 1 | 443353 | PAKDÅSE | OIL SEAL 15*35*4.5 |
| 109 | 1 | 443354 | E-RING | CIRCLIP 35 |
| 110 | 2 | 443355 | LEJE | BEARING 6202 |
| 111 | 3 | 443356 | PROP | SHORT SHOCK ABSORPTION BLOCK |
| 112 | 1 | 443357 | KRUMTAPHUS VENSTRE | LEFT CRANKSHAFT CASE |
| 113 | 1 | 443358 | BESLAG | LEFT SHOCK ABSORPTION RUBBER |
| 114 | 1 | 443359 | KONTAKT | SWITCH |
| 116 | 1 | 443360 | PRIMER | PRIMER BULB |
| 117 | 3 | 443361 | SKRUE | SCREW M5X12 |
| 118 | 1 | 443362 | PAKNING | CRANKSHAFT CASE GASKET |
| 119 | 3 | 443363 | BØS | PIN 6*10 |
| 120 | 1 | 443364 | BESLAG | DUST PLATE |
| 121 | 1 | 443365 | KRUMTAPHUS HØJRE | RIGHT CRANKSHAFT CASE |
| 122 | 1 | 443366 | BESLAG | RIGHT SHOCK ABSORPTION RUBBER |
| 123 | 1 | 443367 | PAKNING | AIR INTAKE WASHER |
| 124 | 1 | 443368 | ISOLATOR | AIR INTAKE TUBE SUPPORT |
| 125 | 1 | 443369 | PAKNING | AIR INTAKE TUBE SUPPORT GASKET |
| 126 | 1 | 443370 | PAKNING | AIR INTAKE FLANGE |
| 127 | 1 | 443371 | KARBURATOR | WALBRO CARBURETOR |
| 128 | 1 | 443372 | STANG | ACCELERATOR ROD |
| 129 | 1 | 443373 | DÆKSEL | AIR INTAKE |
| 130 | 1 | 443374 | KNAP | AIR INTAKE CUSHION |
| 131 | 2 | 443375 | BOLT | SCREW M5X52 |
| 132 | 1 | 443376 | PAKNING FOR LUFTFILTER | GASKET, AIR FILTER |
| 133 | 1 | 443377 | BØS | SCREW GM5-M5*30 |
| 134 | 1 | 443378 | LUFTFILTER | AIR FILTER |
| 135 | 1 | 443379 | CHOKER | CHOKE ROD |
| 136 | 1 | 443380 | BØS | CHOKE ROD SEAT |
| 137 | 1 | 443381 | KNAP | SHOCK ABSORPTION BLOCK |
| 138 | 1 | 443382 | PAKDÅSE | OIL SEAL 15*28*4.5 |
| 139 | 1 | 443383 | DÆKSEL | OIL PUMP COVER PLATE |
| 141 | 1 | 443384 | BØS | WORM |
| 143 | 1 | 443385 | FJEDER | NEEDLE BEARING 12*15*14.5 |
| 144 | 1 | 443386 | KOBLINGSTROMLE | CLUTCH SHELL |
| 145 | 1 | 443387 | SKIVE | CLUTCH WASHER |
| 146 | 2 | 443388 | BOLT | SCREW M4X14 |
| 147 | 1 | 443389 | OLIEDYSE | OIL OUTLET NOZZLE |

| POS | QTY | PARTNUMBER | BESKRIVELSE | DESCRIPTION |
|-----|-----|------------|----------------------|------------------------------|
| 148 | 1 | 443390 | OLIEPUMPE | OIL PUMP |
| 149 | 1 | 443391 | FILTER | SPONGE FILTER |
| 150 | 1 | 443392 | SLANGE | OIL TUBE |
| 151 | 1 | 443393 | OLIEFILTER | OIL FILTER |
| 152 | 1 | 443394 | PLADE | GUIDE BAR INNER PLATE |
| 153 | 1 | 443395 | PLADE | GUIDE BAR INNER PLATE GASKET |
| 154 | 2 | 443396 | PINBOLT | SCREW M8X28 |
| 155 | 1 | 443397 | BARKSTED | SPIKED BUMPER KIT |
| 156 | 1 | 443398 | LÅSERING | AERATION NOZZLE CIRCLIP |
| 157 | 1 | 443399 | SKIVE | SPONGE FILTER BLOCK |
| 158 | 1 | 443400 | BØS | AERATION NOZZLE |
| 159 | 2 | 443401 | BØS | VACUUM TUBE |
| 160 | 1 | 443402 | LÅSERING | VACUUM TUBE CIRCLIP |
| 161 | 1 | 443403 | DYSE | VACUUM NOZZLE |
| 162 | 2 | 443404 | MØTRIK | NUT M8 |
| 163 | 1 | 443415 | SVÆRD 20"/45CM | OREGON BAR 20" |
| 164 | 1 | 443416 | SAVKÆDE 20BPX078X | OREGON CHAIN 20" |
| 165 | 1 | 443417 | BESKYTTELSE 20"/50CM | GUIDE COVER |
| 166 | 1 | 438286 | SKIVE 5X15X1 | FLAT WASHER 5X15X1 |
| 167 | 1 | 443418 | SNORRULLE | STARTER WHEEL B |
| 168 | 1 | 443419 | FJEDER | STARTER TORSION SPRING |