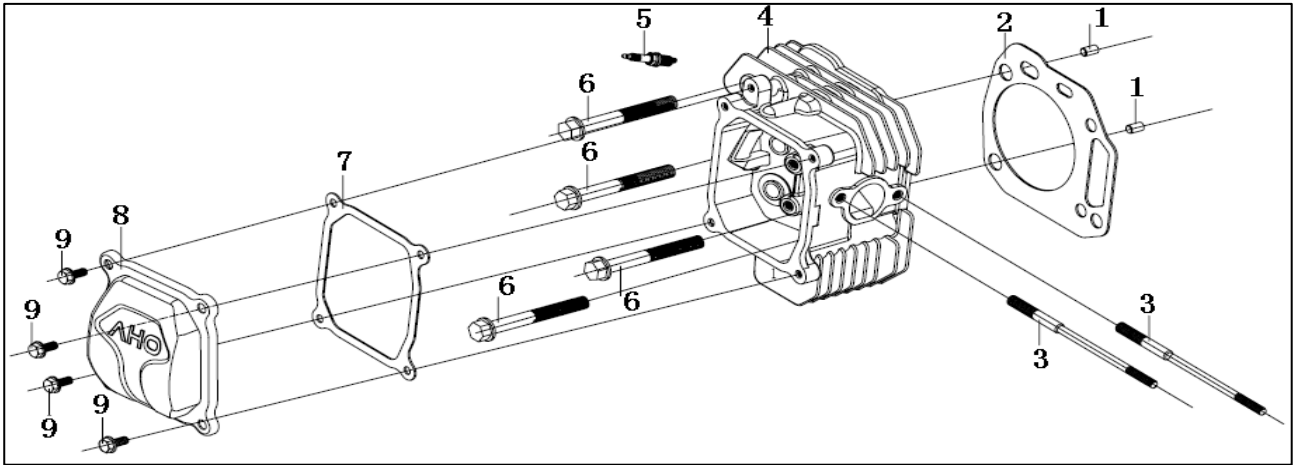


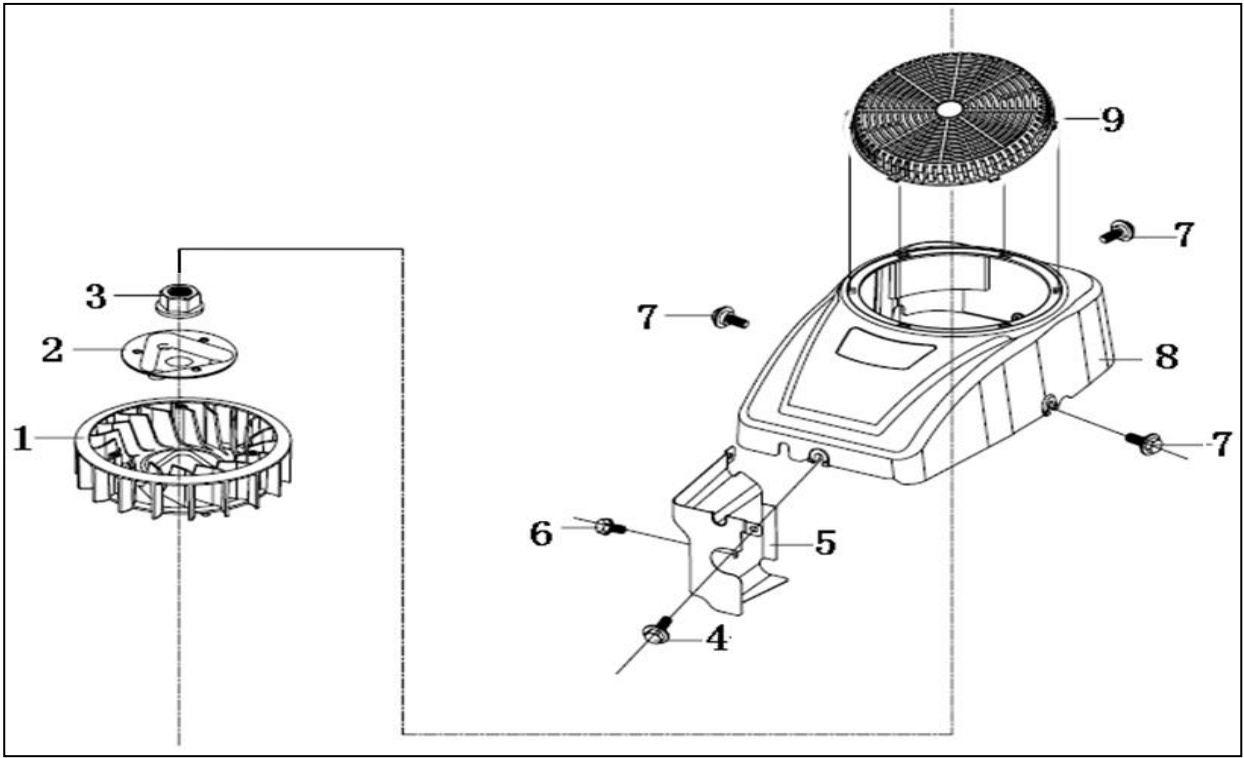
Model: LC1P92F-1 / 452cc

Part Number: LC1P92F-1

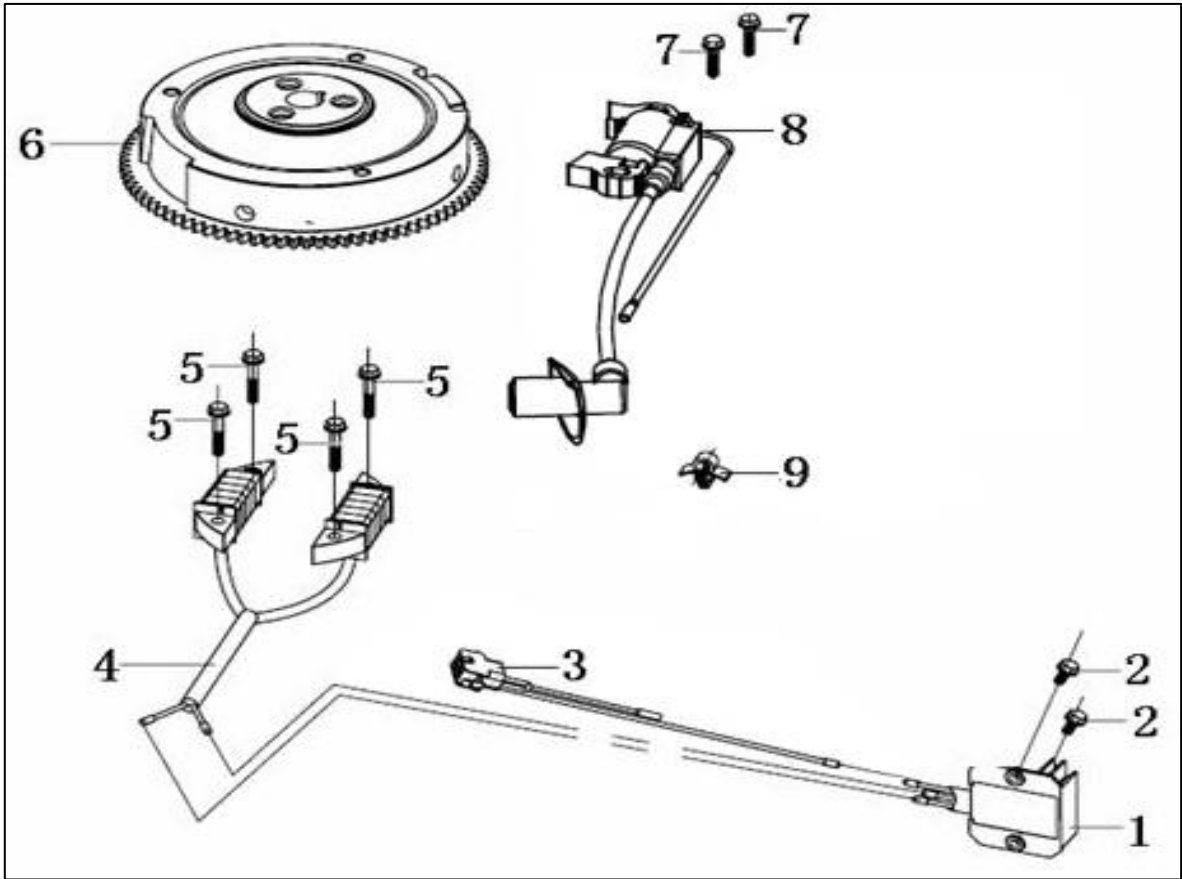
År: 2019



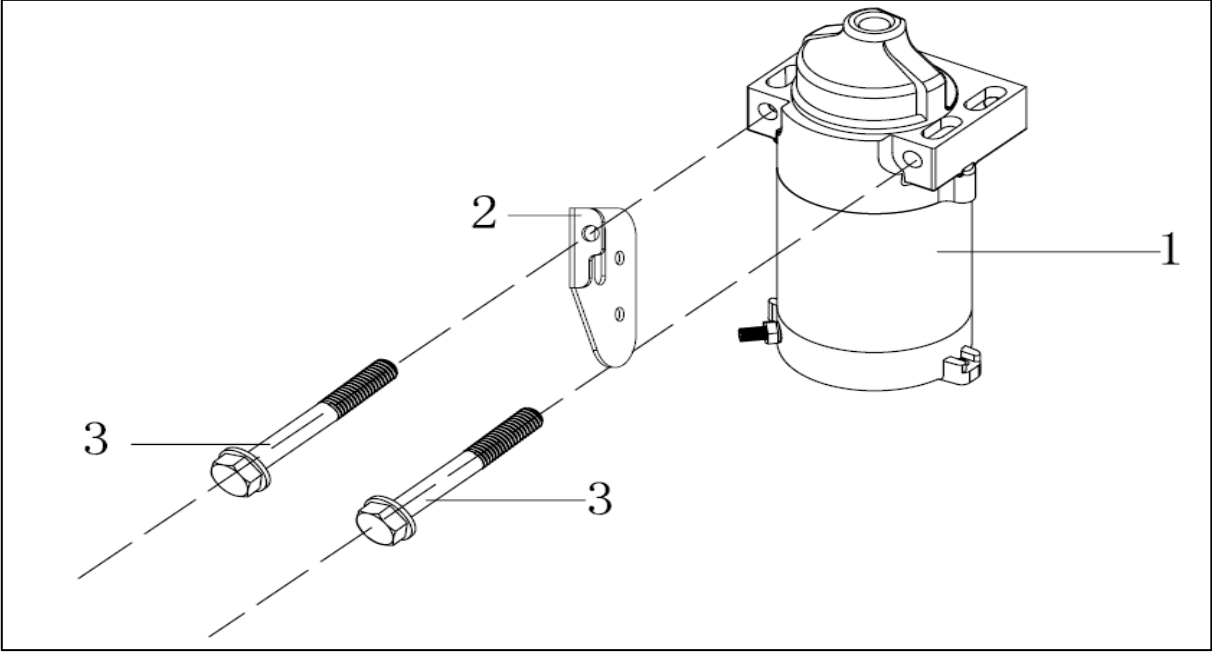
POS	QTY	PARTNUMBER	BESKRIVELSE	DESCRIPTION
1	2	420250	STIFT 12X20	PIN 12X20
2	1	445002	PAKNING	GASKET FOR CYLINDER HEAD
3	2	445003	STANG	STUD
4	1	445004	CYLINDERHOVED	CYLINDER HEAD
5	1	445005	TÆNDRØR	SPARK PLUG
6	4	445006	FLANGEBOLT	HEXAGON BOLT WITH FLANGE
7	1	445007	PAKNING	GASKET FOR CYLINDER HEAD COVER
8	1	445008	CYLINDERDÆKSEL	CYLINDER HEAD COVER ASSY
9	4	428008	FLANGEBOLT M6×16	COLLAR BOLT M6×16



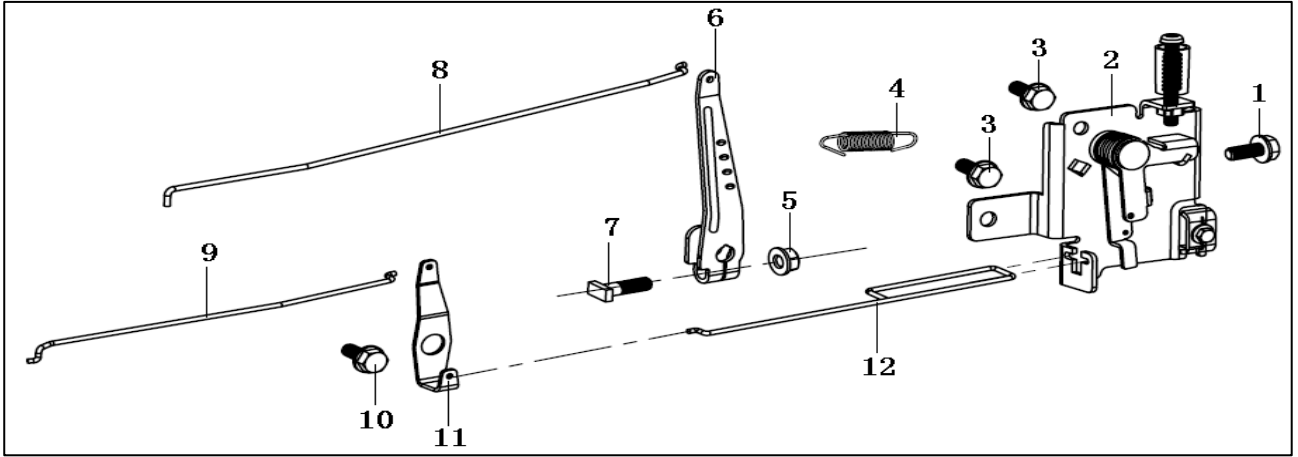
POS	QTY	PARTNUMBER	BESKRIVELSE	DESCRIPTION
1	1	445009	BLÆSEHJUL	IMPELLER
2	1	445010	STARTSKIVE	STARTING DISC
3	1	420316	MØTRIK M16	NUT M16
4	1	445011	BOLT	HEXAGON SHAFT SHOULDER BOLT
5	1	445035	LUFT DEFLEKTOR	AIR DEFLECTOR
6	1	428087	FLANGEBOLT M6X12	COLLAR BOLT M6X12
7	3	428008	FLANGEBOLT M6×16	COLLAR BOLT M6×16
8	1	445036	STARTERHUS	FAN COVER COMP.
9	1	445037	SKJOLD	STARTER OUTER COVER



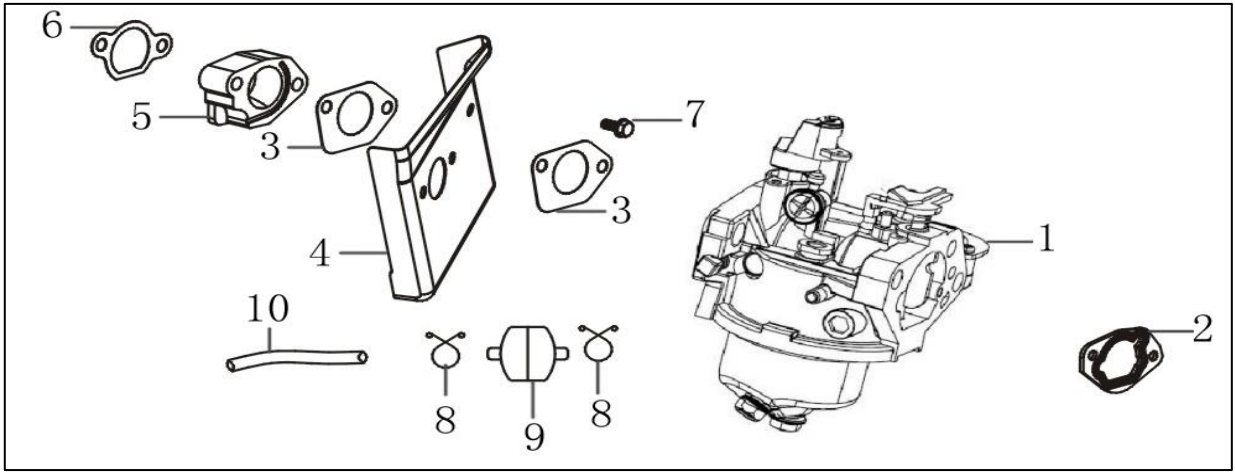
POS	QTY	PARTNUMBER	BESKRIVELSE	DESCRIPTION
1	1	445038	ENSRETTER	RECTIFIERVARIABLE VOLTAGE RECTIFIER
2	2	428087	FLANGEBOLT M6X12	COLLAR BOLT M6X12
3	1	445039	FORBINDELSSESLEDNING	CONNECTING WIRE
4	1	445040	OPLADNINGSKOMPONENT	COMPONENTS OF CHARGING CURRENT ARMATURE
5	4	420269	FLANGEBOLT M6X30	COLLAR BOLT M6X30
6	1	445041	SVINGHJUL	FLYWHEEL COMP
7	2	445042	FLANGEBOLT	HEXAGON BOLT WITH FLANGE
8	1	445043	TÆNDSPOLE	COIL ASSY.,IGNNTION
9	1	445044	KABELHOLDER	LOCATION WIRE NAIL



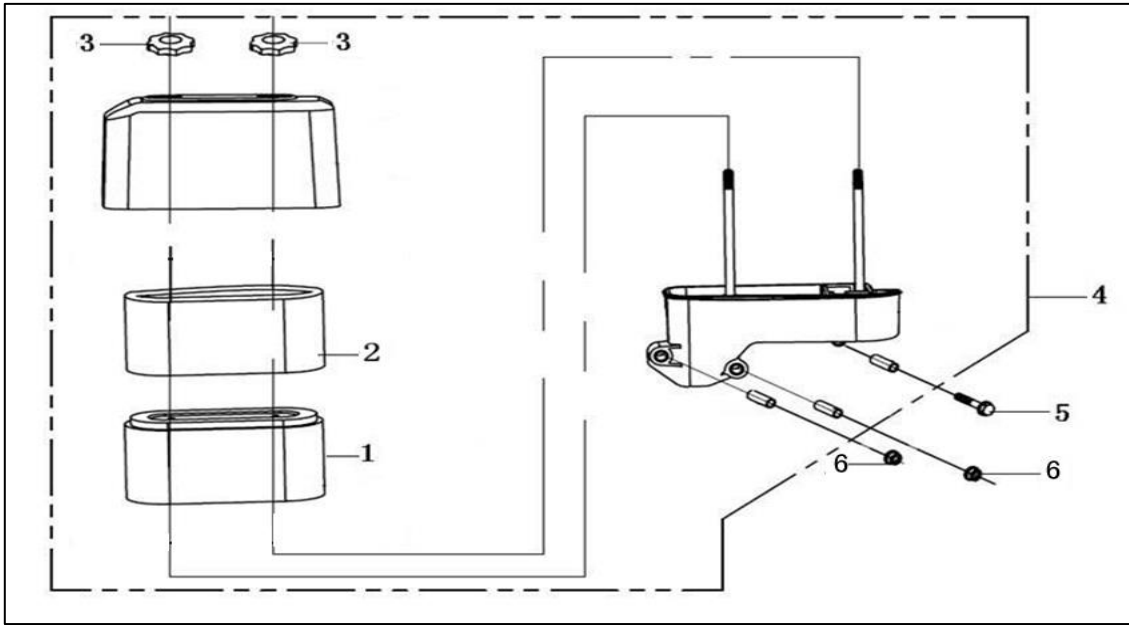
POS	QTY	PARTNUMBER	BESKRIVELSE	DESCRIPTION
1	1	445045	STARTER	COMPONENTS OF STARTING MOTOR
2	1	445046	BESLAG	RECTIFIER VOLTAGE REGULATOR SUPPORT
3	2	445047	FLANGEBOLT	HEXAGON BOLT WITH FLANGE



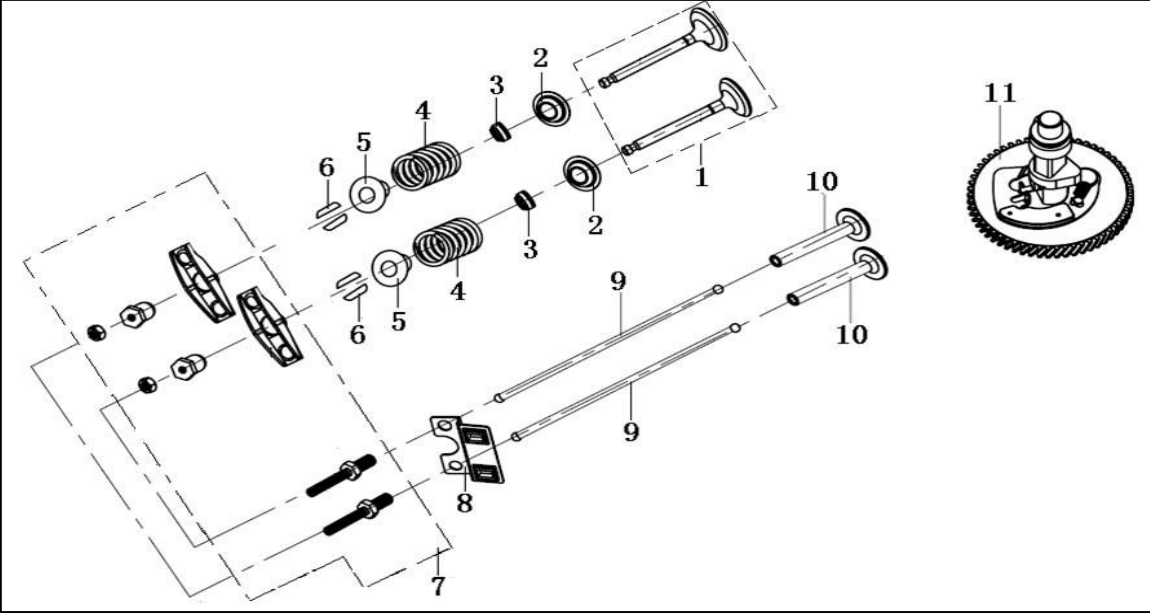
POS	QTY	PARTNUMBER	BESKRIVELSE	DESCRIPTION
1	1	428081	FLANGEBOLT M6X16	COLLAR BOLT M6X16
2	1	445048	GASBESLAG	THROTTLE HANDLE COMBINATION
3	2	445049	FLANGEBOLT	HEXAGON BOLT WITH FLANGE
4	1	445050	FJEDER	GOVERNING SPRING
5	1	427799	FLANGEMØTRIK M6	COLLAR NUT M6
6	1	445051	BESLAG	SPEED REGULATING BRACKET
7	1	420337	BOLT (SPECIEL) M6X25	BOLT M6X25
8	1	445052	GASSTANG	THROTTLE ROD
9	1	445053	STANG	CHOKE VALVE BAR
10	1	445054	BOLT	HEXAGON SHAFT SHOULDER BOLT
11	1	445055	BESLAG	CHOKE VALVE BRACKET
12	1	445056	FORBINDELSSESSTANG	CHOKE VALVE PULL ROD



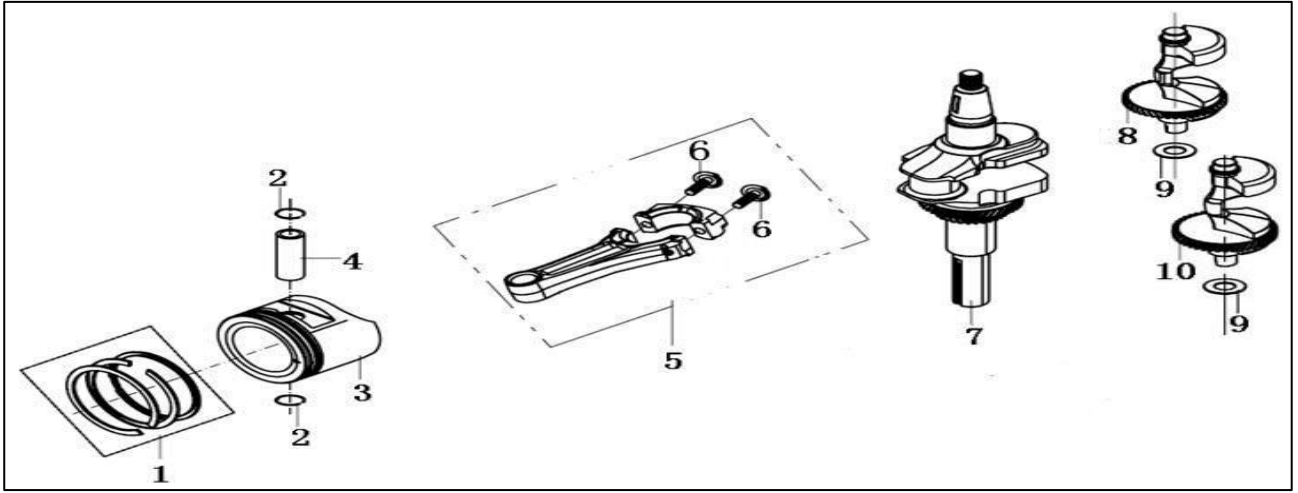
POS	QTY	PARTNUMBER	BESKRIVELSE	DESCRIPTION
1	1	445057	KARBURATOR	CARBURETOR
2	1	445058	PAKNING	CARBURETOR GASKET
3	2	445059	PAKNING	CARBURETOR GASKET
4	1	445060	LUFT DEFLEKTOR	AIR DEFLECTOR
5	1	445061	MELLEMSTYKKE	HEAT INSULATING PAD FOR CARBURETOR
6	1	445062	PAKNING	CARBURETOR GASKET
7	1	428087	FLANGEBOLT M6X12	COLLAR BOLT M6X12
8	5	445063	KLEMME	PIPE CLIP
9	1	445064	BRÆNDSTOFFILTER	FUEL FILTER
10	1	445065	OLIESLANGE	OIL TUBE



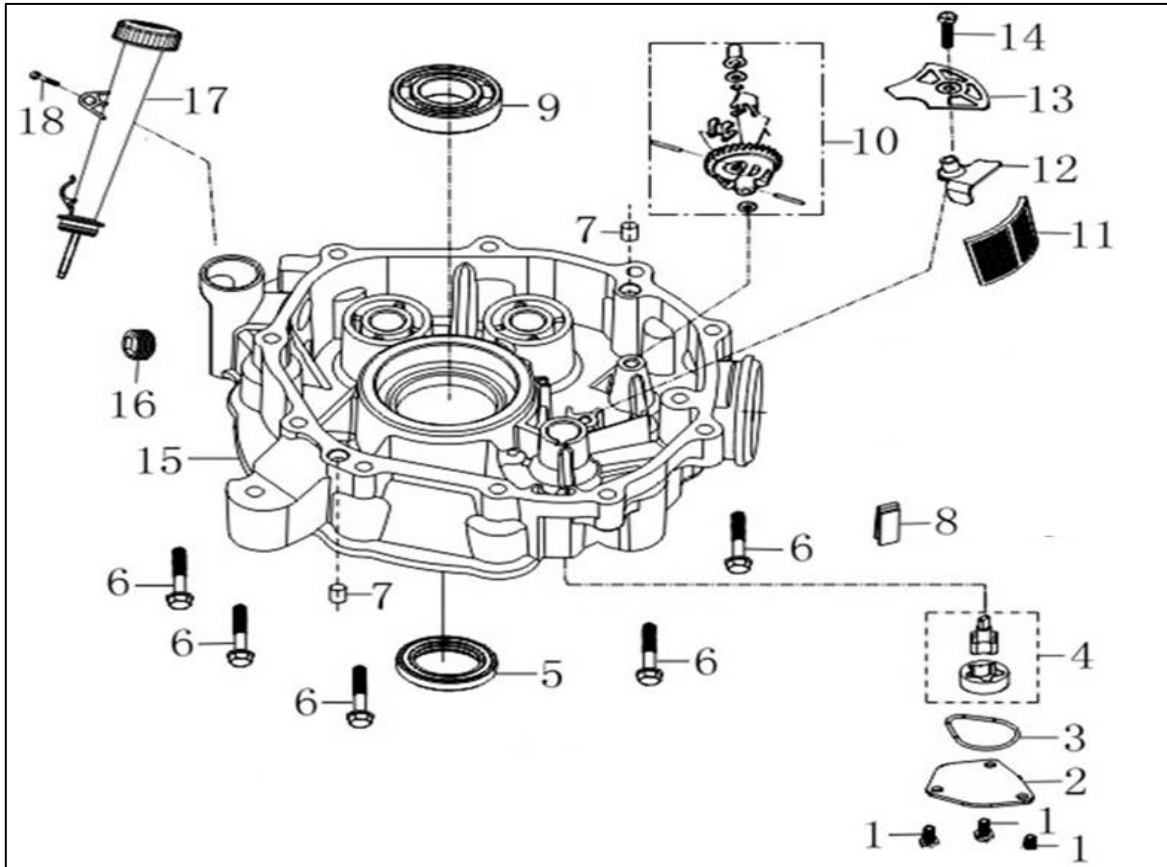
POS	QTY	PARTNUMBER	BESKRIVELSE	DESCRIPTION
1&2	1	445071	LUFTFILTER ELEMENT	AIR FILTER ELEMENT
3	2	445072	MØTRIK	BOLT HANDLE
4	1	445073	LUFTFILTER KPL.	AIR FILTER
5	1	428041	FLANGEBOLT M6X35	COLLAR BOLT M6X35
6	2	427799	FLANGEMØTRIK M6	COLLAR NUT M6



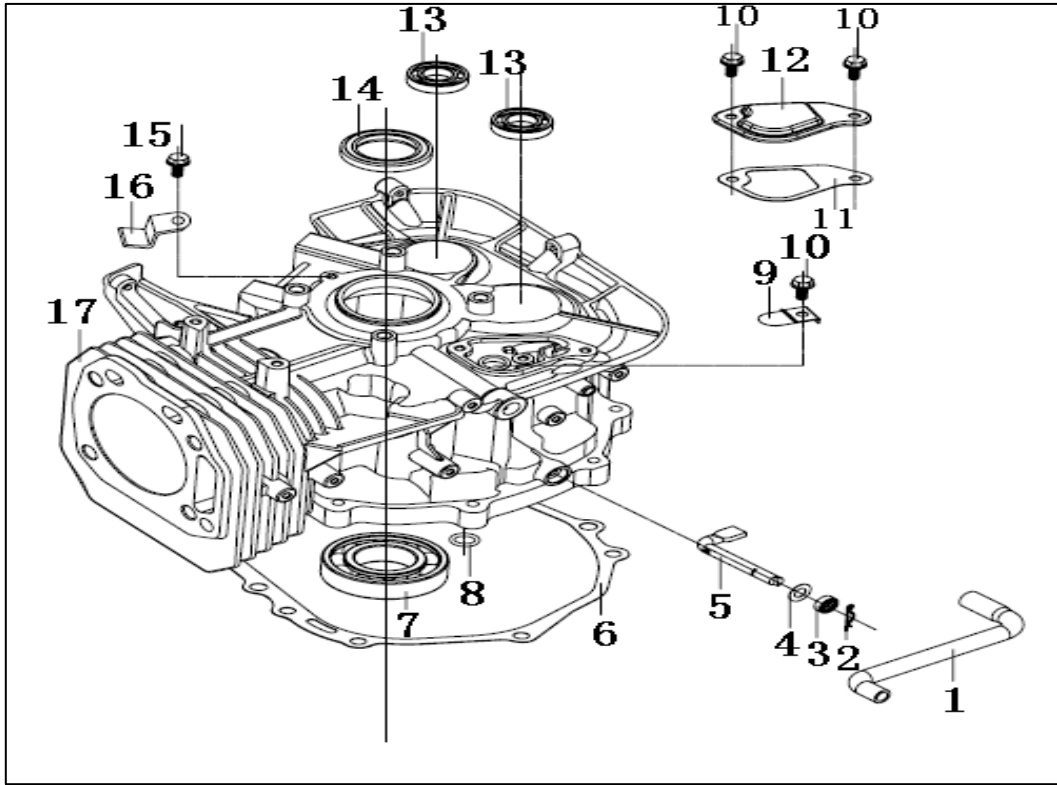
POS	QTY	PARTNUMBER	BESKRIVELSE	DESCRIPTION
1	1	445074	VENTIL	VALVE KIT
2	1	420301	SÆDE	SEAT
3	2	420302	SÆDE	SEAT
4	2	420300	VENTILFJEDER	VALVE SPRING
5	2	420299	SÆDE	SEAT
6	2	420298	VENTILLÅS	VALVE LOCK
7	4	445075	VENTIL KOMBINATION	VALVE ROCKER COMBINATION
8	2	445076	PLADE	PLATE, PUSH ROD GUIDE
9	2	445077	STANG	PUSH ROD
10	2	420295	STØDSTANGSFOD	VALVE
11	2	445078	KNASTAKSEL	CAMSHAFT ASSY



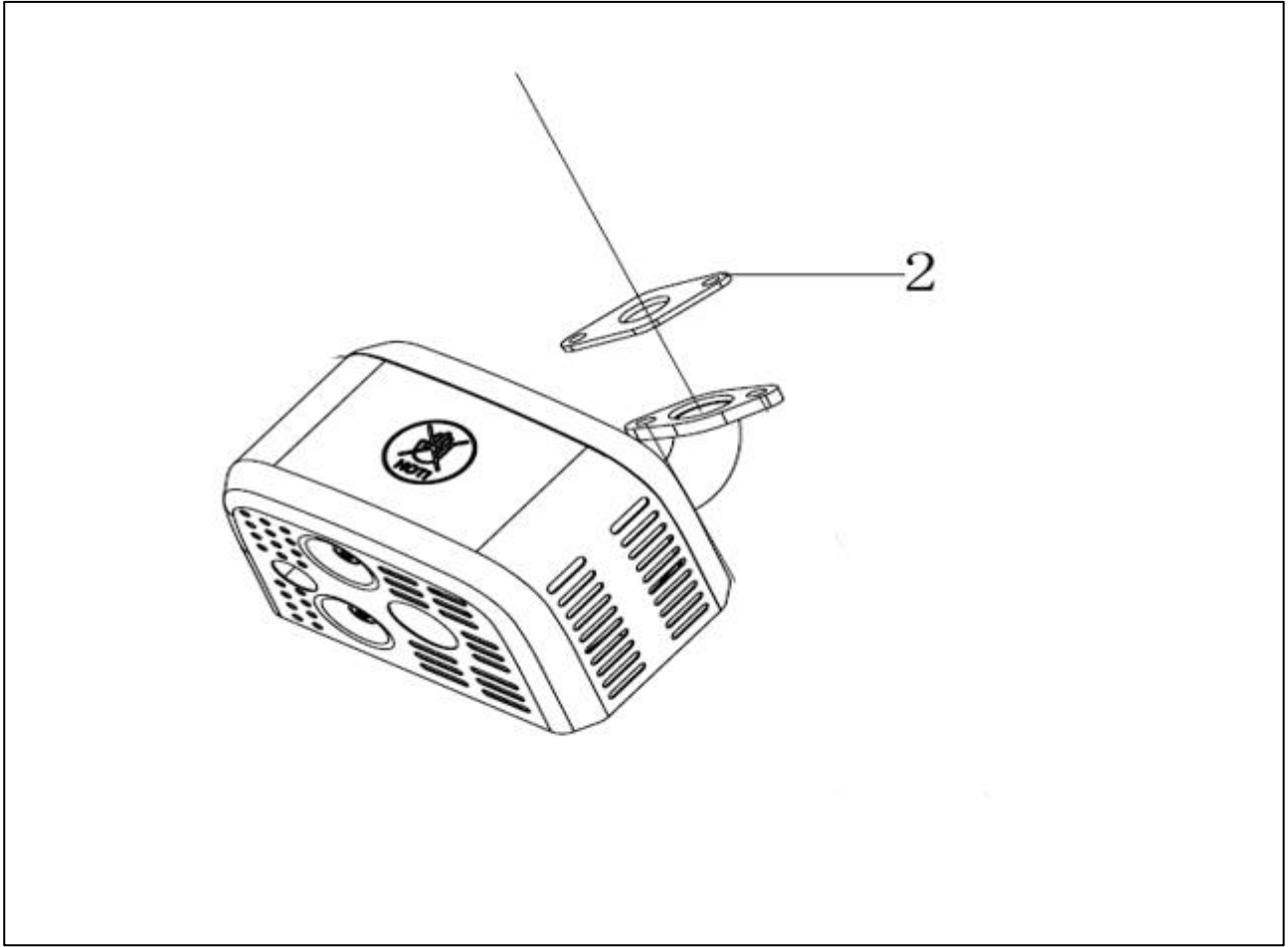
POS	QTY	PARTNUMBER	BESKRIVELSE	DESCRIPTION
1	1	445079	STEMPELRINGE	PISTON RING COMBINATION
2	2	420284	LÅSERING	LOCKING RING
3	1	445080	STEMPEL	PISTON
4	1	420283	KRYDSPIND	CROSSHEAD TUBE
5	1	445081	FORBINDELSSESSTANG	CONNECTING ROD
6	2	445082	BOLT	CONNECTING ROD BOLT
7	1	445083	KRUMTAPAKSEL	CRANKSHAFT
8	1	445084	BALANCEAKSEL	BALANCING SHAFT
9	2	445085	SKIVE	FLAT WASHER
10	1	445086	BALANCEAKSEL	BALANCING SHAFT



POS	QTY	PARTNUMBER	BESKRIVELSE	DESCRIPTION
1	3	428081	FLANGEBOLT M6X16	COLLAR BOLT M6X16
2	1	445088	OLIEDÆKSEL	OIL PUMP COVER
3	1	445089	TÆTNINGSRING	SEAL RING
4	1	445090	OLIEPUMPE KOMPONENTER	COMPONENTS OF OIL PUMP
5	1	445091	TÆTNINGSRING	OIL SEAL
6	10	445092	FLANGEBOLT	HEXAGON BOLT WITH FLANGE
7	2	445093	STIFT	OCATION PIN
8	1	445094	OLIEPLADE	ENGINE OIL RETURN BLOCK
9	1	420275	KUGLELEJE 35X72X17	BALL BEARING 35X72X17
10	1	445095	GEAR	COMPONENTS OF GOVERNOR GEAR
11	1	445096	OLIEFILTER	ENGINE OIL STRAINER
12	1	445097	PLADE	PRESSING PLATE FOR OIL GROOVE
13	1	445098	OLIEDÆKSEL	COVER,OIL STRAINER
14	1	445042	FLANGEBOLT	HEXAGON BOLT WITH FLANGE
15	1	445099	KRUMTAPHUS	CRANKCASE COVER
16	1	445100	TÆTNINGSSKRUE	SEALING PLUG SCREW
17	1	445101	OLIERØR	OIL RULE COMBINATION
18	1	428041	FLANGEBOLT M6X35	COLLAR BOLT M6X35



POS	QTY	PARTNUMBER	BESKRIVELSE	DESCRIPTION
1	1	445102	LUFTRØR	BREATHER TUBE
2	1	420260	STIFT	PIN
3	1	420258	PAKDÅSE	OIL SEAL
4	1	445103	SKIVE	FLAT WASHER
5	1	445104	REGULATORARM	SPEED REGULATING ARM
6	1	445105	PAKNING	CRANKCASE COVER GASKET
7	1	420275	KUGLELEJE 35X72X17	BALL BEARING 35X72X17
8	1	445106	SKIVE	SEAL RING
9	1	428022	VENTIL (LAMEL)	VALVE
10	3	428087	FLANGEBOLT M6X12	COLLAR BOLT M6X12
11	1	445107	PAKNING	PACKING?BREATHER CHAMBER
12	1	445108	LUFTDÆKSEL	CAP,BREATHER CHAMBER
13	2	445109	LEJE	BEARING
14	1	445091	TÆTNINGSRING	OIL SEAL
15	1	445049	FLANGEBOLT	HEXAGON BOLT WITH FLANGE
16	1	445110	PLADE	PRESSING PLATE
17	1	445111	KRUMTAPHUS	CRANKCASE BODY



POS	QTY	PARTNUMBER	BESKRIVELSE	DESCRIPTION
2	1	445112	UDSTØDNINGSPAKNING	OUTLET GASKET