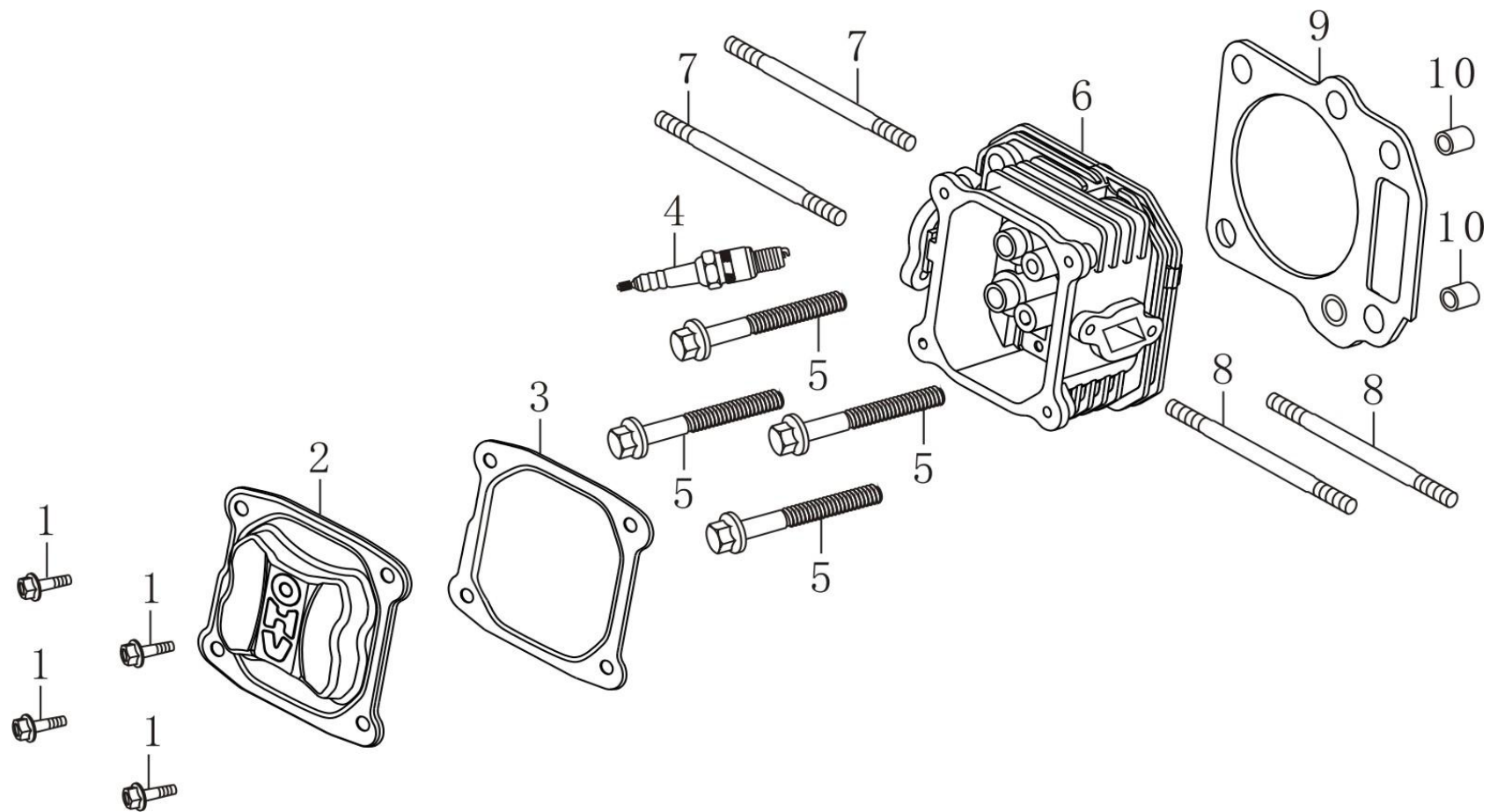


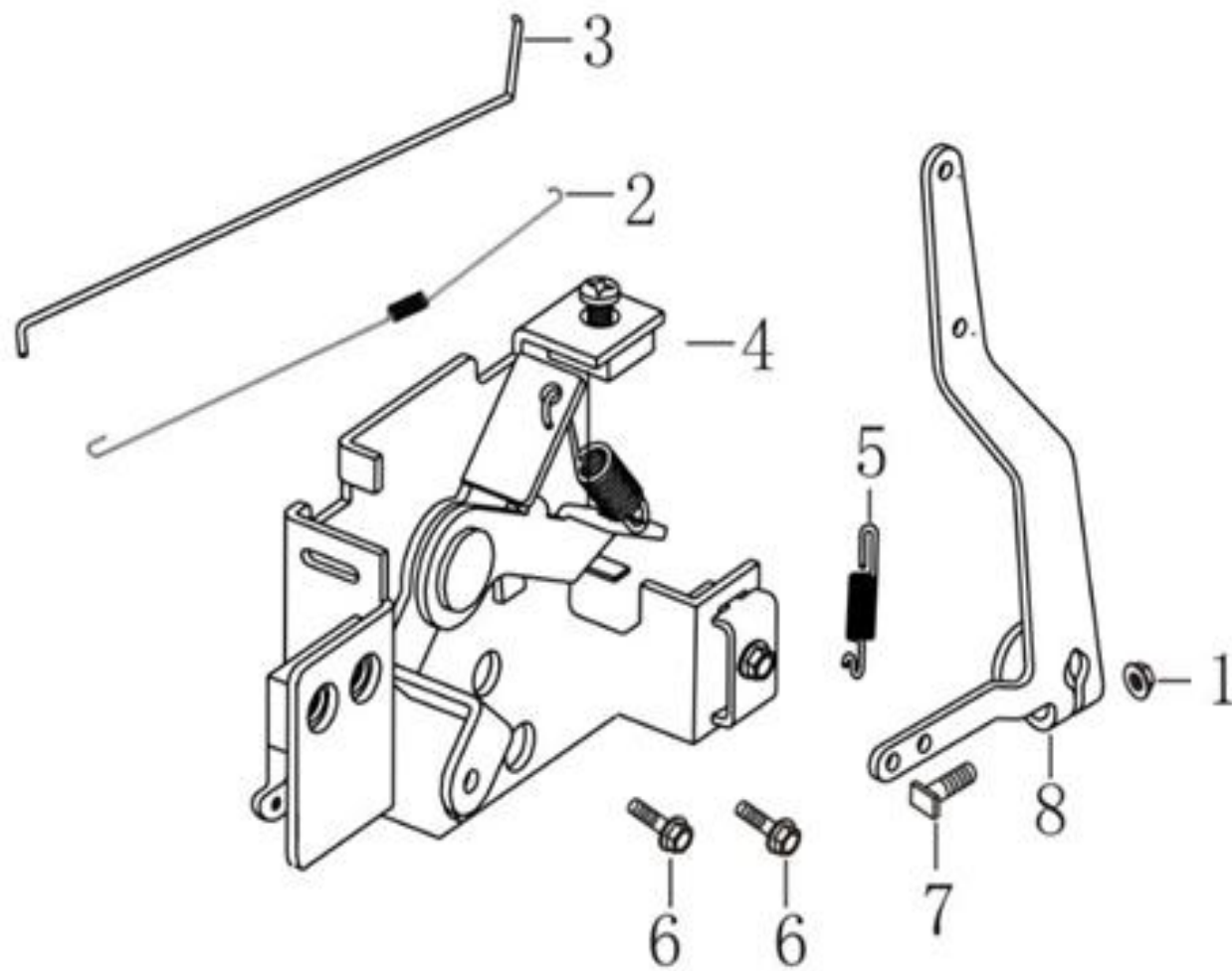
Model: LCIP70FA

Art no: 443443

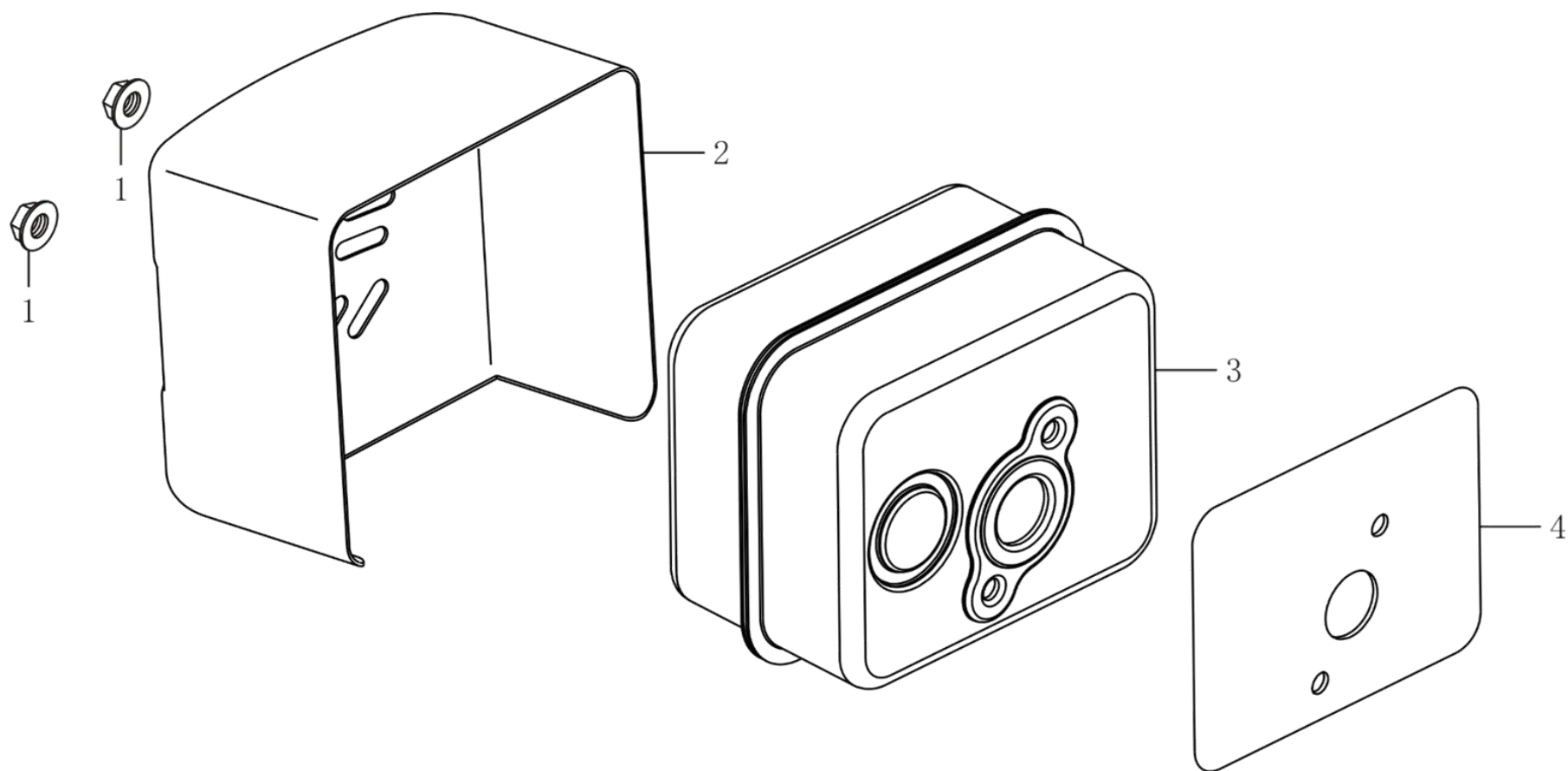
Year: 2026



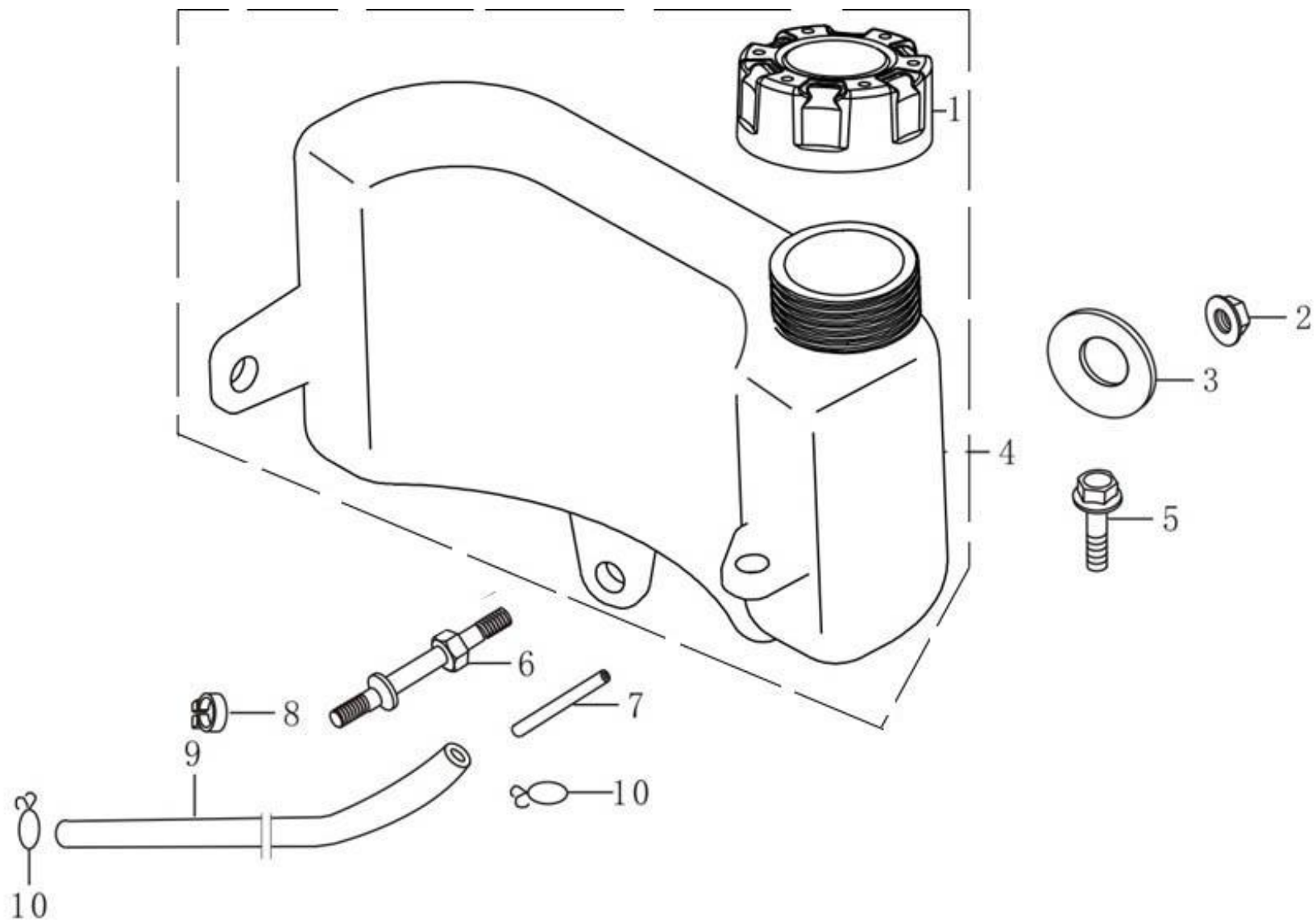
POS	QTY	PARTNUMBER	BESKRIVELSE	DESCRIPTION
1	4	435999	BOLT	HEXAGON BOLT WITH FLANGE
2	1	428009	VENTILDÆKSEL	VALVE COVER
3	1	436001	VENTIL PAKNING	GASKET FOR CYLINDER HEAD COVER
4	1	424279	TÆNDRØR	SPARK PLUGS F7RTC
5	4	436002	BOLT	HEXAGON BOLT WITH FLANGE
6	1	436003	TOPSTYKKE	CYLINDER HEAD
7	2	436004	PINBOLT	STUD
8	2	428016	PINBOLT	PIN BOLT M6X103
9	1	436006	TOPSTYKKE PAKNING	GASKET FOR CYLINDER HEAD
10	2	436007	STYRETAP	OCATION PIN



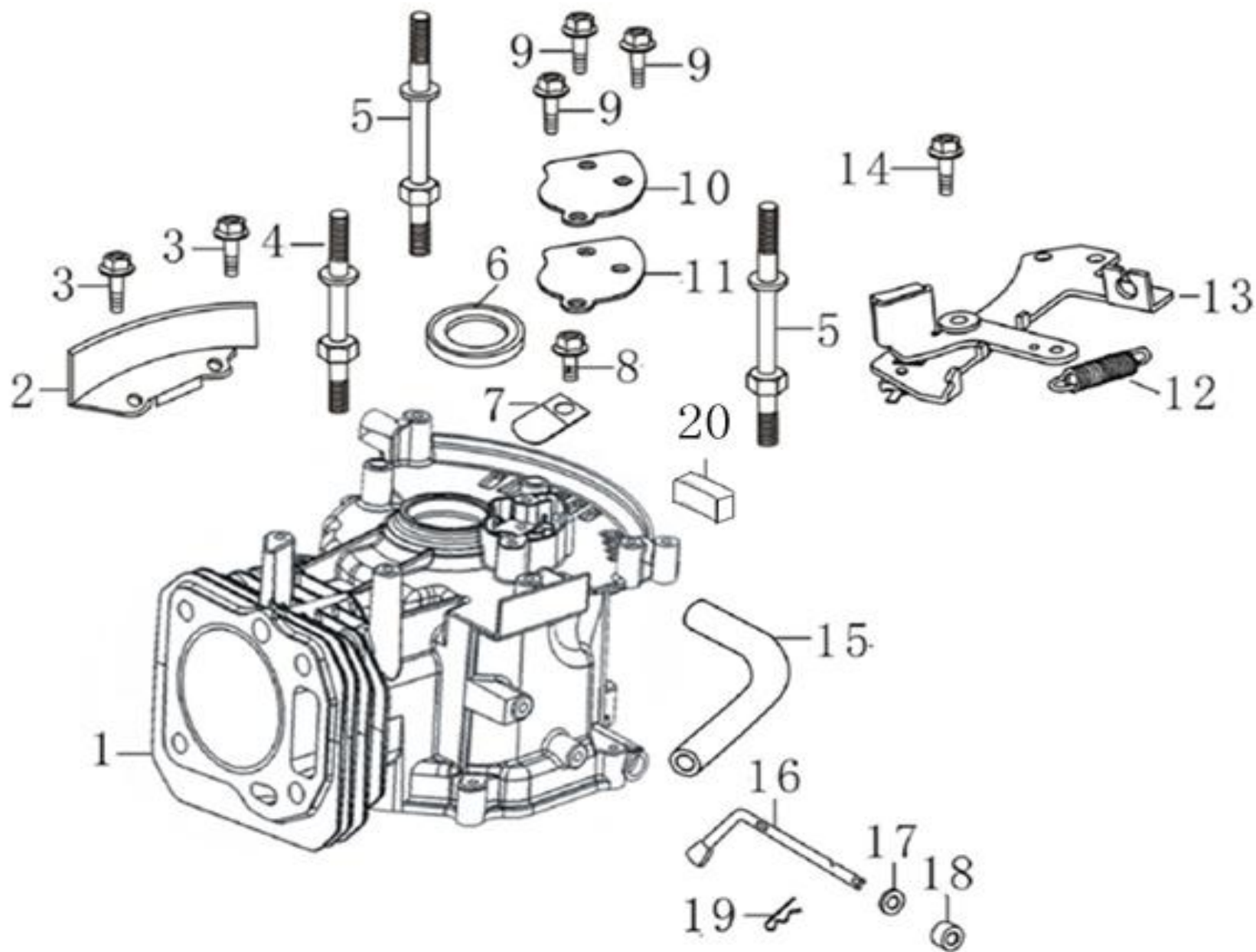
POS	QTY	PARTNUMBER	BESKRIVELSE	DESCRIPTION
1	1	436093	FLANGEBOLT	HEXAGON NUT WITH FLANGE
2	1	436086	REGULATORFJEDER	THROTTLE RETURN SPRING
3	1	428084	FORBINDELSSESSTANG	FILLING ROD
4	1	447771	VENTILLØFTER	THROTTLE HANDLE COMBINATION
5	1	428086	FJEDER	SPRING
6	2	436090	FLANGEBOLT	HEXAGON BOLT WITH FLANGE
7	1	436091	SKRUE FIRKANTHOVED	SQUARE HEAD SET SCREW WITH FLA
8	1	436092	REGULATORARM	SPEED REGULATING BRACKET



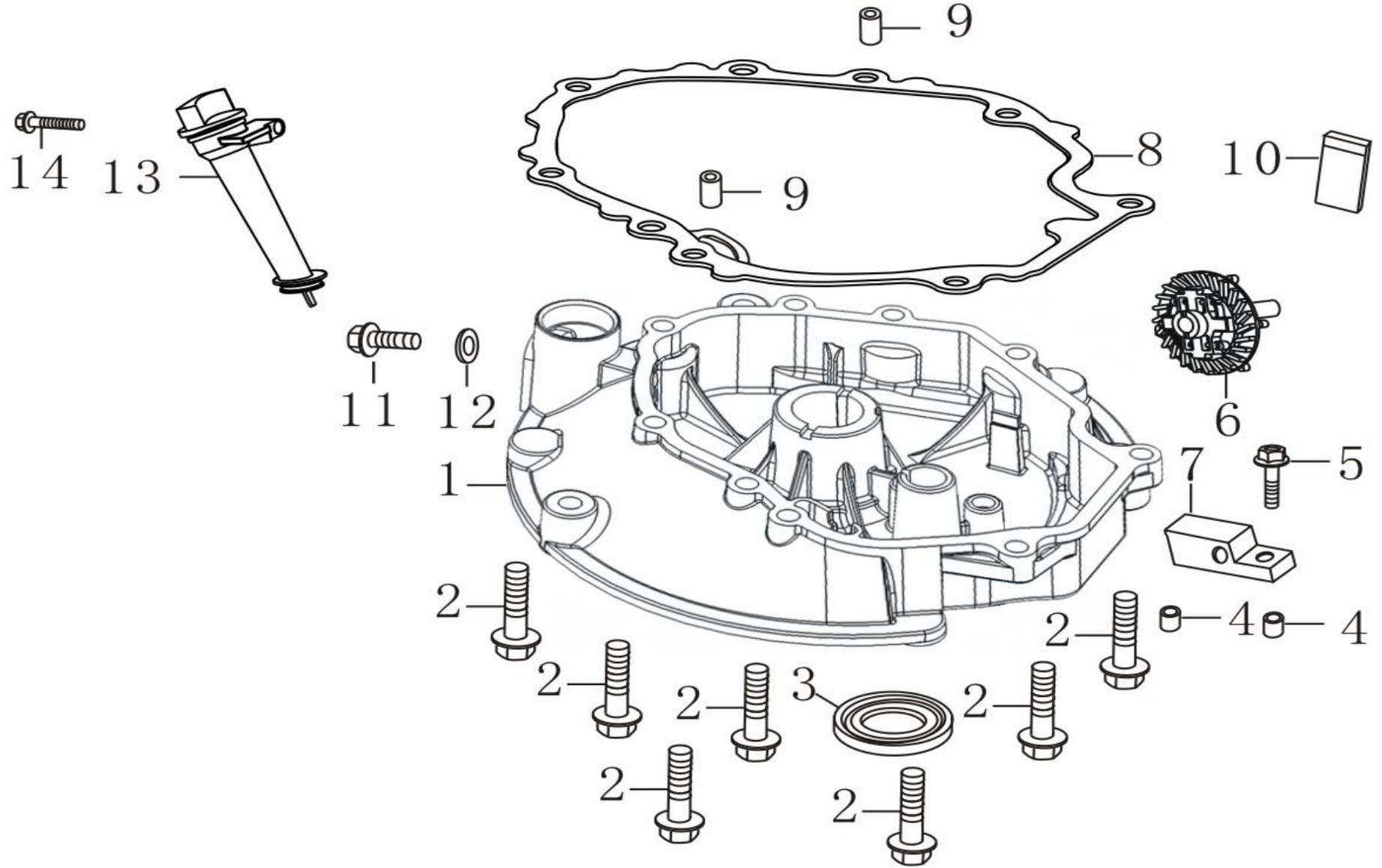
POS	QTY	PARTNUMBER	BESKRIVELSE	DESCRIPTION
1	2	436093	FLANGEBOLT	HEXAGON NUT WITH FLANGE
2	1	436095	SKÆRM FOR UDSTØDNING	MUFFLER GUARD SHIELD
3	1	436096	UDSTØDNING	MUFFLER
4	1	436097	UDSTØDNINGSPAKNING	MUFFLER GASKET



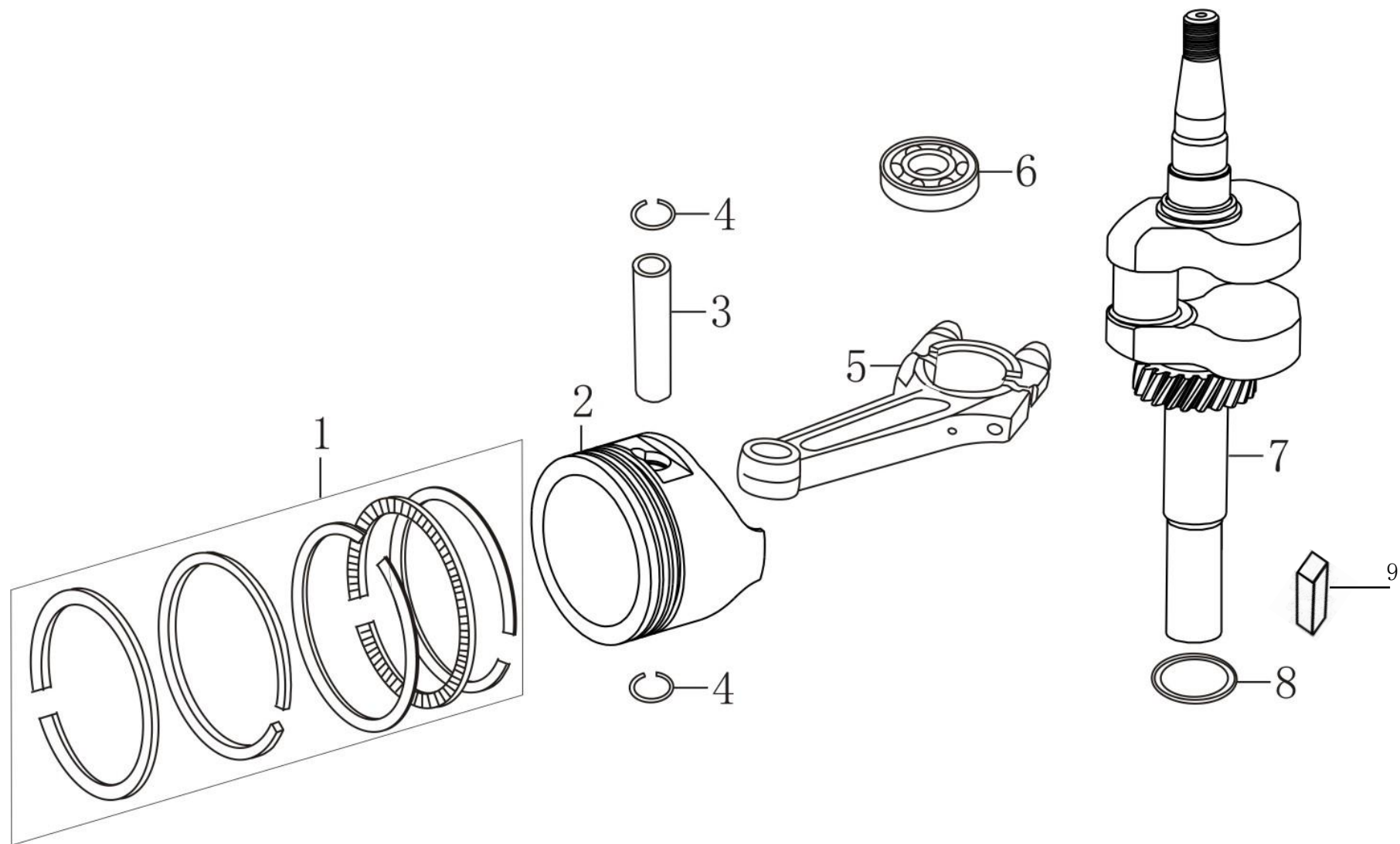
POS	QTY	PARTNUMBER	BESKRIVELSE	DESCRIPTION
1	1	436098	TANKLÅG	TANK COVER
2	1	436093	FLANGEBOLT	HEXAGON NUT WITH FLANGE
3	1	436099	SKIVE	FLAT WASHER
4	1	428094	BRÆNDSTOFTANK	FUEL TANK
5	1	436010	FLANGEBOLT	HEXAGON BOLT WITH FLANGE
6	1	428095	PINBOLT	PIN BOLT M6X60
7	1	436148	BRÆNDSTOFFILTER	FUEL FILTER
8	1	436149	SPÆNDEBÅND	LOCATION WIRE NAIL
9	1	451858	BENZINSLANGE	OIL TUBE
10	2	436151	CLIPS	PIPE CLIP



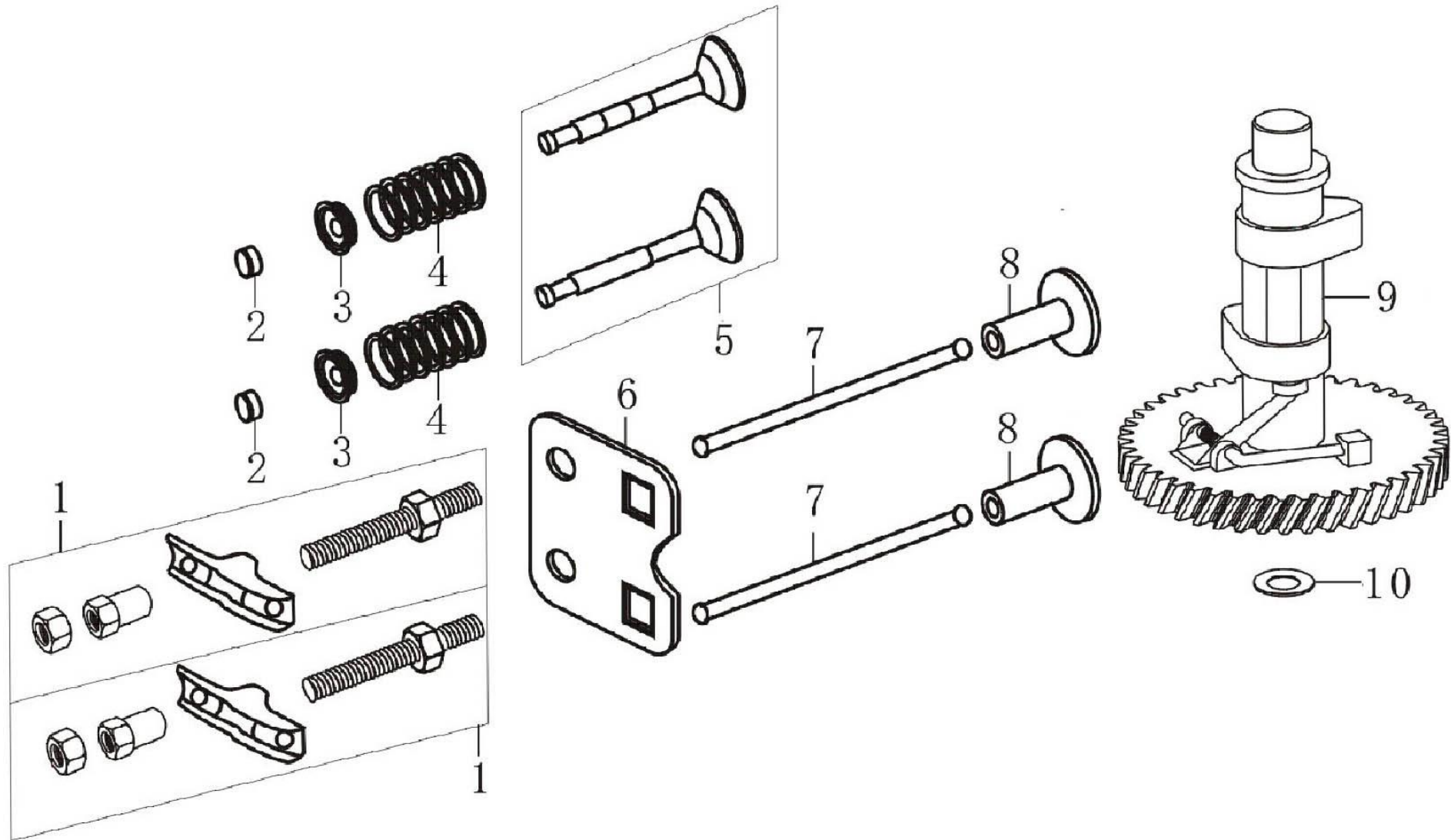
POS	QTY	PARTNUMBER	BESKRIVELSE	DESCRIPTION
1	1	447721	CYLINDER	CRANKCASE BODY
2	1	436009	PLADE	SIDE PLATE
3	2	436010	FLANGEBOLT	HEXAGON BOLT WITH FLANGE
4	1	428019	PINBOLT	PIN BOLT M6X78,5
5	2	428020	PINBOLT	PIN BOLT M6X85
6	1	436013	PAKDÅSE	OIL SEAL
7	1	436014	BLAD VENTIL	LEAF VALVE
8	1	436015	FLANGEBOLT	HEXAGON BOLT WITH FLANGE
9	3	436016	FLANGEBOLT	HEXAGON BOLT WITH FLANGE
10	1	436017	DÆKSEL	CAP,BREATHER CHAMBER
11	1	436018	PAKNING	PACKING?BREATHER CHAMBER
12	1	436019	FJEDER	TENSION SPRING
13	1	443475	MOTOR BREMSE	ENGINE BRAKE
14	1	436021	FLANGEBOLT	HEXAGON BOLT WITH FLANGE
15	1	447730	ÅNDERØR	BREATHER TUBE
16	1	436023	REGULATOR ARM	SPEED REGULATING ARM
17	1	436024	SKIVE	FLAT WASHER
18	1	436025	PAKDÅSE	OIL SEAL
19	1	436026	FJEDERSPILT	PIN CLIP
20	1	447722	OLIE SI	ENGINE OIL STRAINER



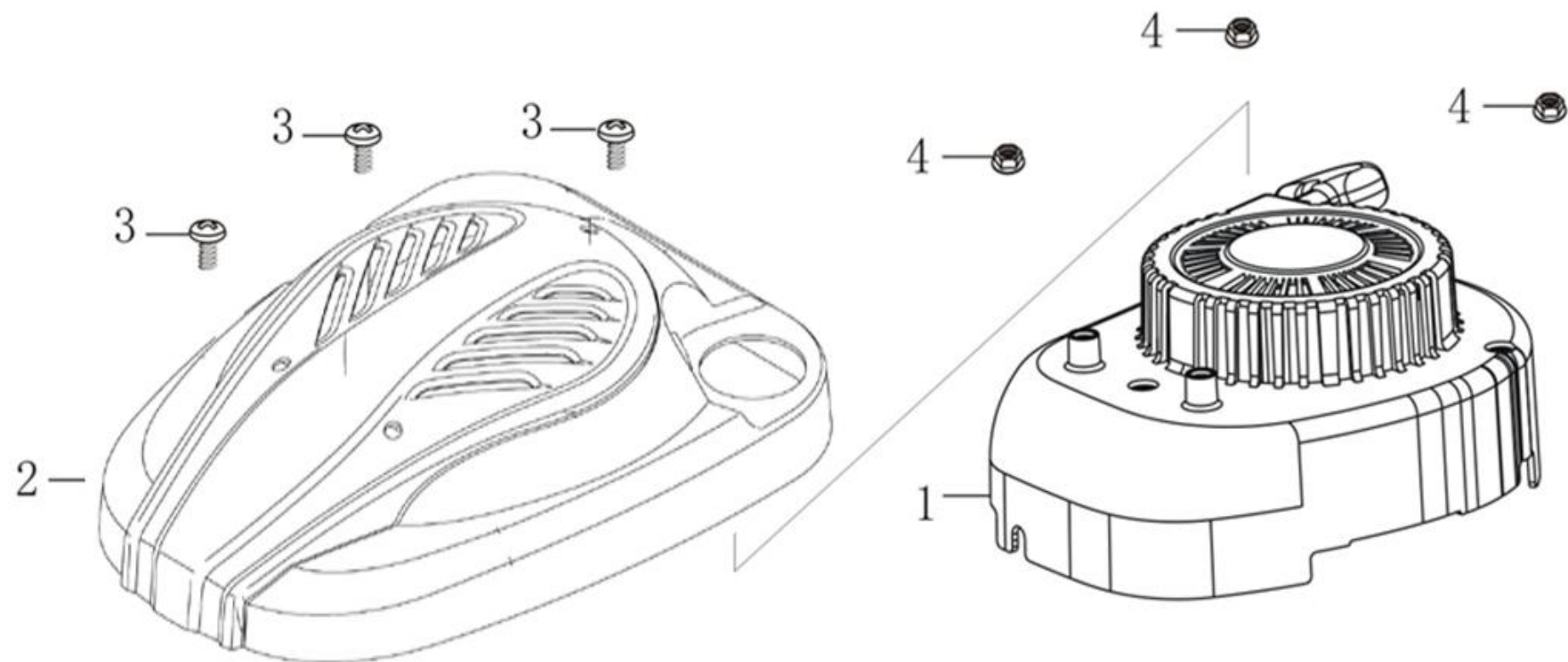
POS	QTY	PARTNUMBER	BESKRIVELSE	DESCRIPTION
1	1	428033	BUNDKAR	OIL PAN
2	6	436027	FLANGEBOLT	HEXAGON BOLT WITH FLANGE
3	1	436028	PAKDÅSE	OIL SEAL
4	2	436038	STYRETAP	OCATION PIN
5	1	436040	FLANGEBOLT	HEXAGON BOLT WITH FLANGE
6	1	456401	GEAR	COMPONENTS OF GOVERNOR GEAR
7	1	428036	PLADE FOR ARM	PLATE
8	1	436041	PAKNING	CRANKCASE COVER GASKET
9	2	436042	STYRETAP	OCATION PIN
10	1	436043	MOTOROLIE RETUR BLOK	ENGINE OIL RETURN BLOCK
11	1	436036	BUNDPROP	SEALING PLUG SCREW
12	1	436037	SKIVE	FLAT WASHER
13	1	436044	OLIERØR	OIL RULE COMBINATION
14	1	436045	FLANGEBOLT	HEXAGON BOLT WITH FLANGE



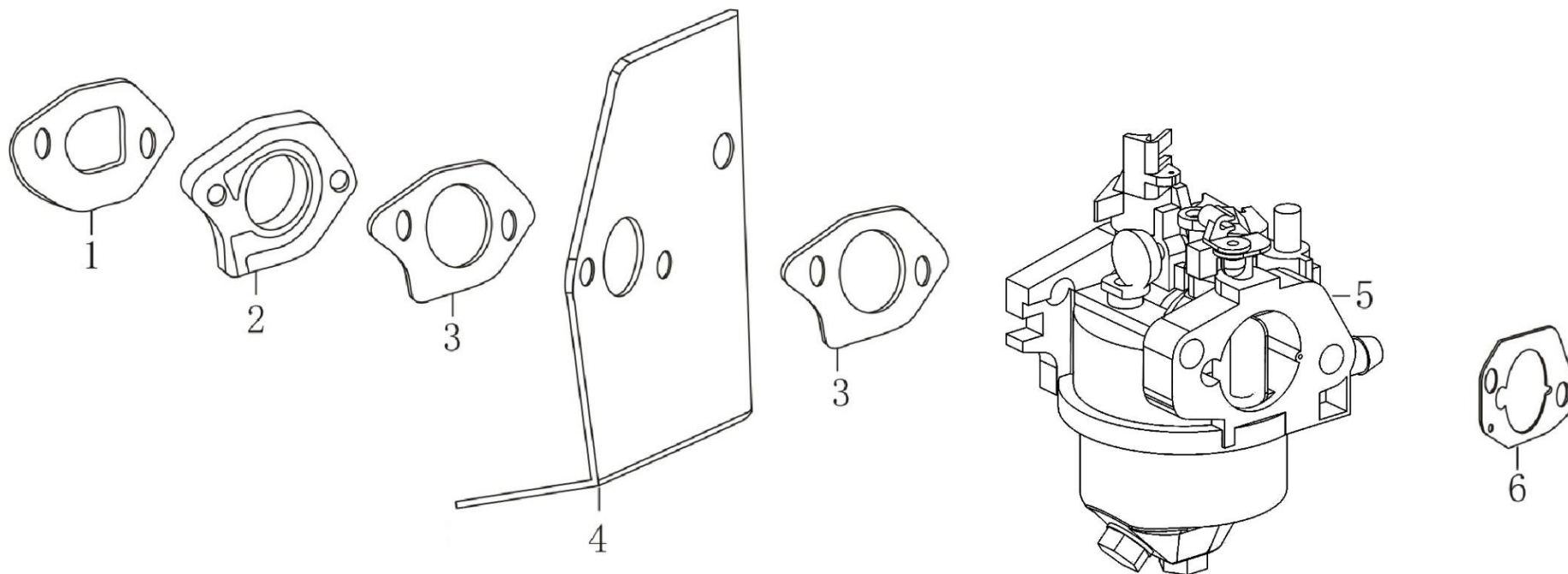
POS	QTY	PARTNUMBER	BESKRIVELSE	DESCRIPTION
1	1	436046	STEMPELRINGSSÆT	PISTON RING COMBINATION
2	1	425869	STEMPEL	PISTON
3	1	425870	KRYDSPIND	CROSSHEAD TUBE
4	2	425874	LÅSERING	LOCKING RING
5	1	428044	PLEJLSTANG MED SKRUER	PISTON ROD
6	1	436052	LEJE	BEARING
7	1	443496	KRUMTAP	CRANKSHAFT
8	1	436054	SKIVE	FLAT WASHER
9	1	453594	NOT	KEY



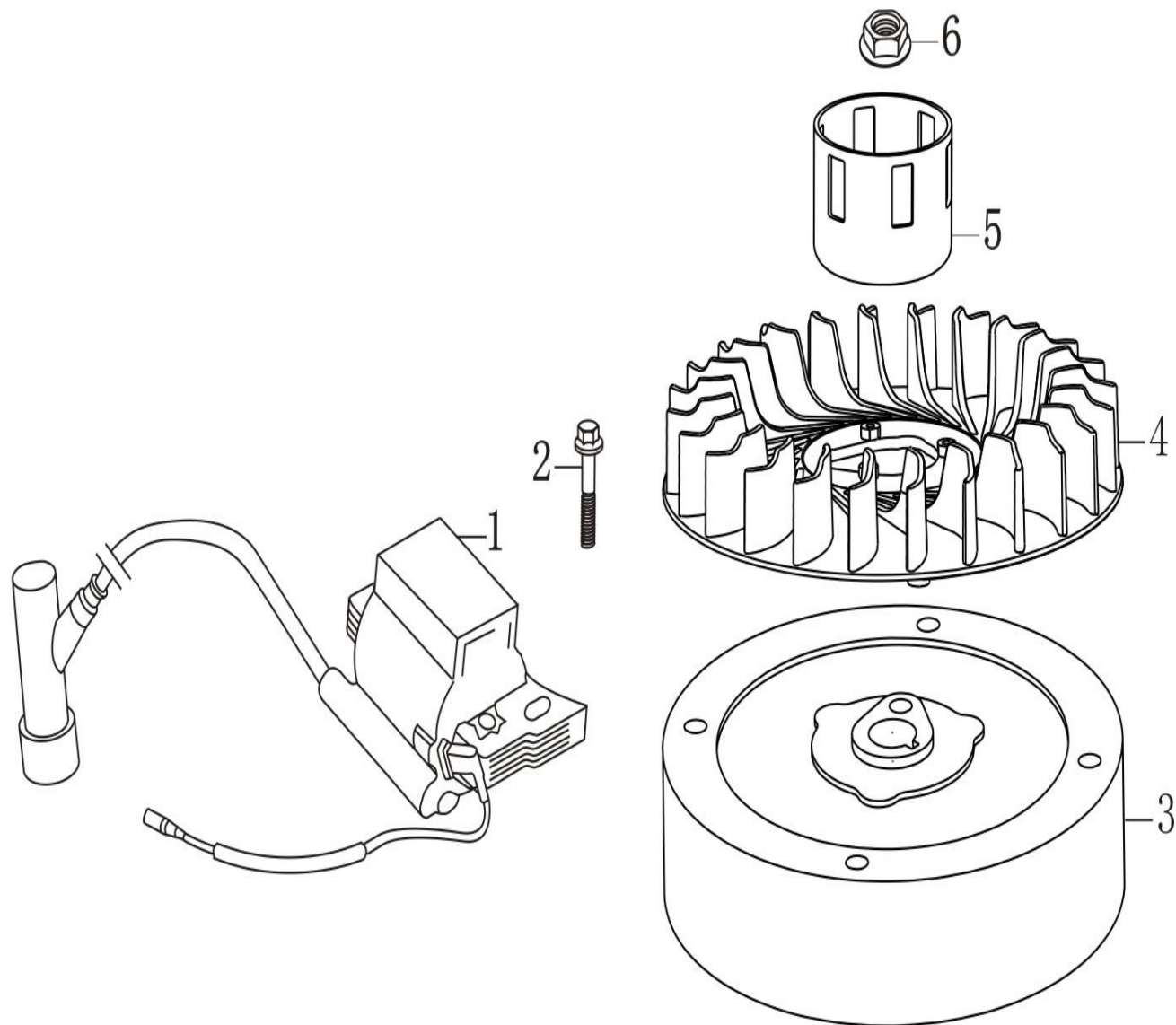
POS	QTY	PARTNUMBER	BESKRIVELSE	DESCRIPTION
1	2	436055	VENTIL VIPPESÆT	VALVE ROCKER COMBINATION
2	2	436056	PLUG	VALVE ADJUSTMENT CAP
3	2	436057	VENTIL FJEDER	RETAINER, VALVE SPRING
4	2	436058	VENTIL FJEDER	INNER SPRING OF VALVE
5	1	436059	VENTIL KIT	VALVE KIT
6	1	456402	PLADE	PLATE, PUSH ROD GUIDE
7	2	428051	FORBINDELSSESSTANG	FILLING ROD
8	2	436063	VENTILLØFTER	LIFTER, VALVE
9	1	428053	KNASTAKSEL KOMPLET	CAMSHAFT
10	1	428054	SKIVE	WASHER Ø14.2X20X1



POS	QTY	PARTNUMBER	BESKRIVELSE	DESCRIPTION
1	1	428055	REKYLSTARTER	RECOILSTARTER
2	1	456403	MOTOR COVER	STARTER DECORATION COVER
3	3	436157	SKRUE	CROSS RECESSED PAN HEAD SCREW
4	3	436066	MØTRIK	HEXAGON NUT WITH FLANGE



POS	QTY	PARTNUMBER	BESKRIVELSE	DESCRIPTION
1	1	436068	PAKNING	CARBURETOR GASKET
2	1	436069	ISOLERINGSPLADE	HEAT INSULATING PAD FOR CARBUR
3	2	436070	PAKNING	CARBURETOR GASKET
4	1	436071	VARMEISOLATOR	HEAT INSULATING PLATE FOR CARB
5	1	456404	KARBURATOR	CARBURETOR
6	1	456405	PAKNING	CARBURETOR GASKET

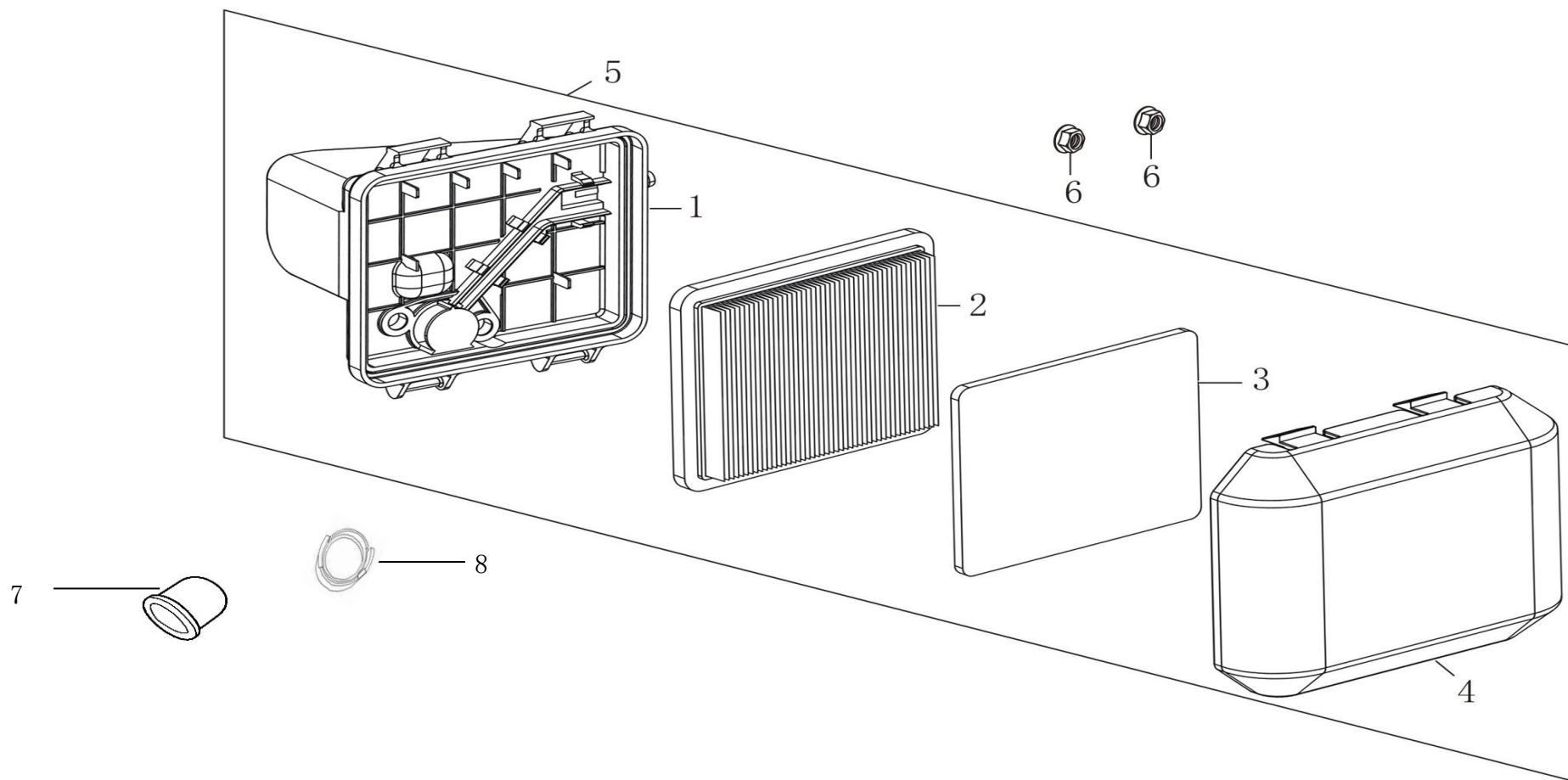


POS	QTY	PARTNUMBER	BESKRIVELSE	DESCRIPTION
1	1	436074	TÆNDSPOLE	COIL ASSY.,IGNTION
2	1	436021	FLANGEBOLT	HEXAGON BOLT WITH FLANGE
3	1	436075	SVINGHJUL	FLYWHEEL COMP
4	1	436076	BLÆSEHJUL	IMPELLER
5	1	436077	STARTDREV	STARTING DISC
6	1	436078	MØTRIK	HEXAGON NUT WITH FLANGE

Model: LCIP70FA

Art no: 443443

Year: 2026



POS	QTY	PARTNUMBER	BESKRIVELSE	DESCRIPTION
1	1	456406	LUFTFILTERHUS	AIR FILTER SEAT
2	1	447767	LUFTFILTER ELEMENT	AIR FILTER ELEMENT
3	1	447768	LUFTFILTER SKUM ELEMENT	AIR FILTER ELEMENT
4	1	447769	LUFTFILTER DÆKSEL	AIR FILTER CASING COVER
5	1	456407	LUFTFILTER KOMPLET	AIR FILTER
6	2	436066	MØTRIK	HEXAGON NUT WITH FLANGE
7	1	456408	PRIMER	PRIMER VALVE
8	1	456409	PRIMER HOLDER	STARTING VALVE FIXTURE