

This catalog covers:

FA210D— S54

GRID NO.

A-1

This grid covers:

FA210DX

FRA 1992

PARTS CATALOG

4-STROKE AIR-COOLED ENGINE

FA210D

| PRODUCT CODE | NOTE |
|--------------|------|
| FA210D—ES54 | |
| | |
| | |
| | |
| | |
| | |

This catalog covers:

FA210D- S54

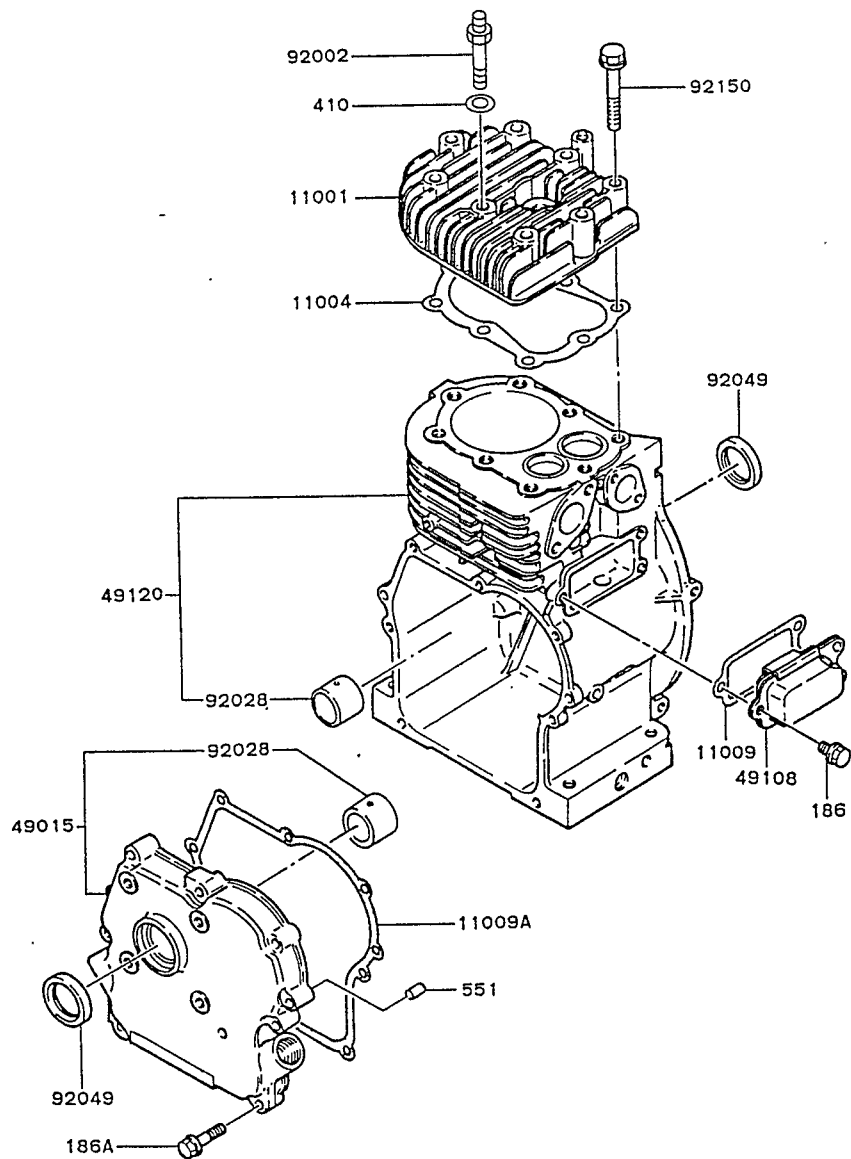
GRID NO.

B-03

This grid covers:

CYLINDER/CRANKCASE

E0110-2110B



| Ref. No. | Parts No. | Description | Quantity | E |
|----------|--------------|---------------------|----------|---|
| 11001 | 11001-2100 | HEAD-CYLINDER | 1 | |
| 11004 | 315501-1121A | GASKET-HEAD | 1 | |
| 11009 | 315501-1232A | GASKET | 1 | |
| 11009A | 315501-4124A | GASKET | 1 | |
| 49015 | 315501-4120B | COVER-CRANKCASE | 1 | |
| 49108 | 49108-2086 | COVER-VALVE CHAMBER | 1 | |
| 49120 | 49120-6003 | CRANKCASE-COMP | 1 | |
| 92002 | 315504-1181A | BOLT | 2 | |
| 92028 | 315501-4211A | BUSHING | 2 | |
| 92049 | 92049-2199 | SEAL-OIL | 2 | |
| 92150 | 92150-2203 | BOLT, 8X55 | 6 | |
| 186 | 186B0612 | BOLT-UPSET-WP | 3 | |
| 186A | 186B0630 | BOLT-UPSET-WP | 7 | |
| 410 | 410B0800 | W-PLAIN-S | 2 | |
| 551 | 551A0612 | PIN-DOWEL | 2 | |

This catalog covers:

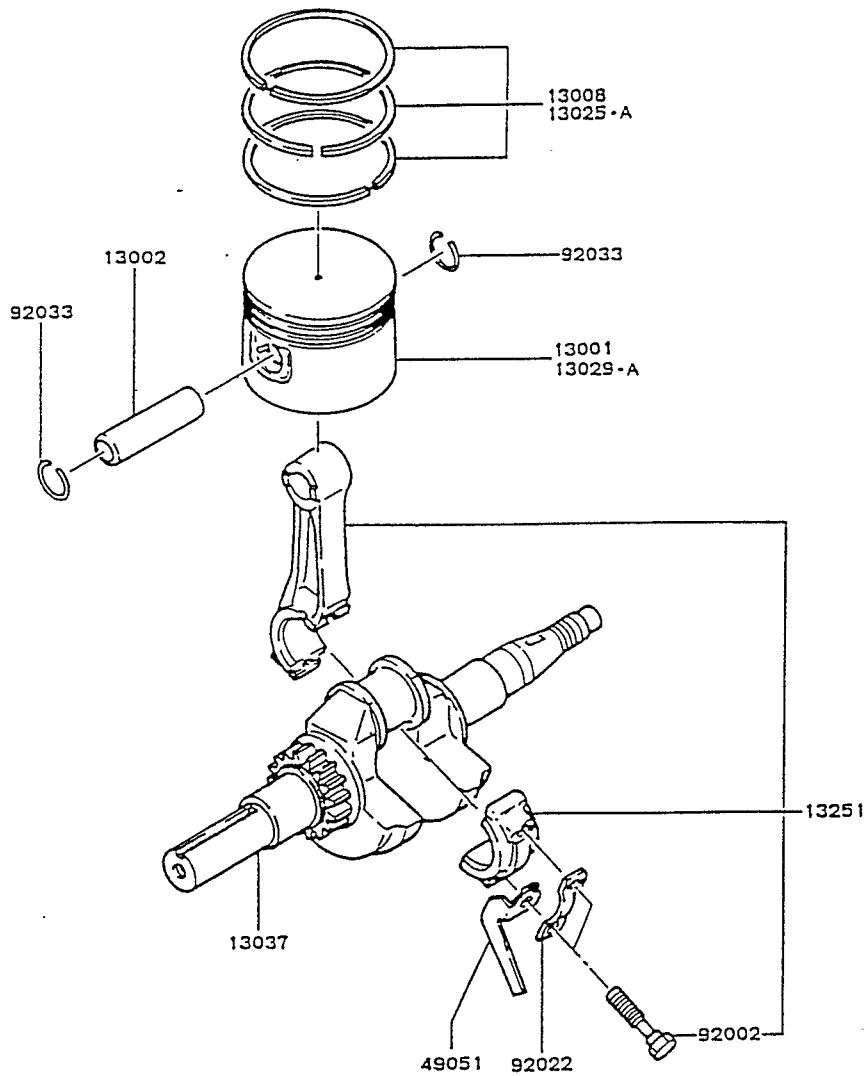
FA210D- S54

B-04

This grid covers:

PISTON/CRANKSHAFT

E0120-2074A



| Ref. No. | Parts No. | Description | E | Quantity |
|----------|--------------|------------------------|----|----------|
| 13001 | 315501-3111A | PISTON-ENGINE | 1 | |
| 13002 | 315501-3121A | PIN-PISTON | 1 | |
| 13008 | 315501-3010A | RING-SET-PISTON | 1 | |
| 13025 | 315500-3020A | RING-SET-PISTON L,0.25 | AR | |
| 13025A | 315500-3030A | RING-SET-PISTON L,0.50 | AR | |
| 13029 | 315500-3131A | PISTON-ENGINE L,0.25 | AR | |
| 13029A | 315500-3132A | PISTON-ENGINE L,0.50 | AR | |
| 13037 | 315528-3211A | CRANKSHAFT | 1 | |
| 13251 | 13251-6013 | ROD-ASSY-CONNECTING | 1 | |
| 49051 | 315501-3249A | SPLASHER | 1 | |
| 92002 | 315501-3245A | BOLT | 2 | |
| 92022 | 315501-3248A | WASHER | 1 | |
| 92033 | 92033-2157 | RING-SNAP | 2 | |

This catalog covers:

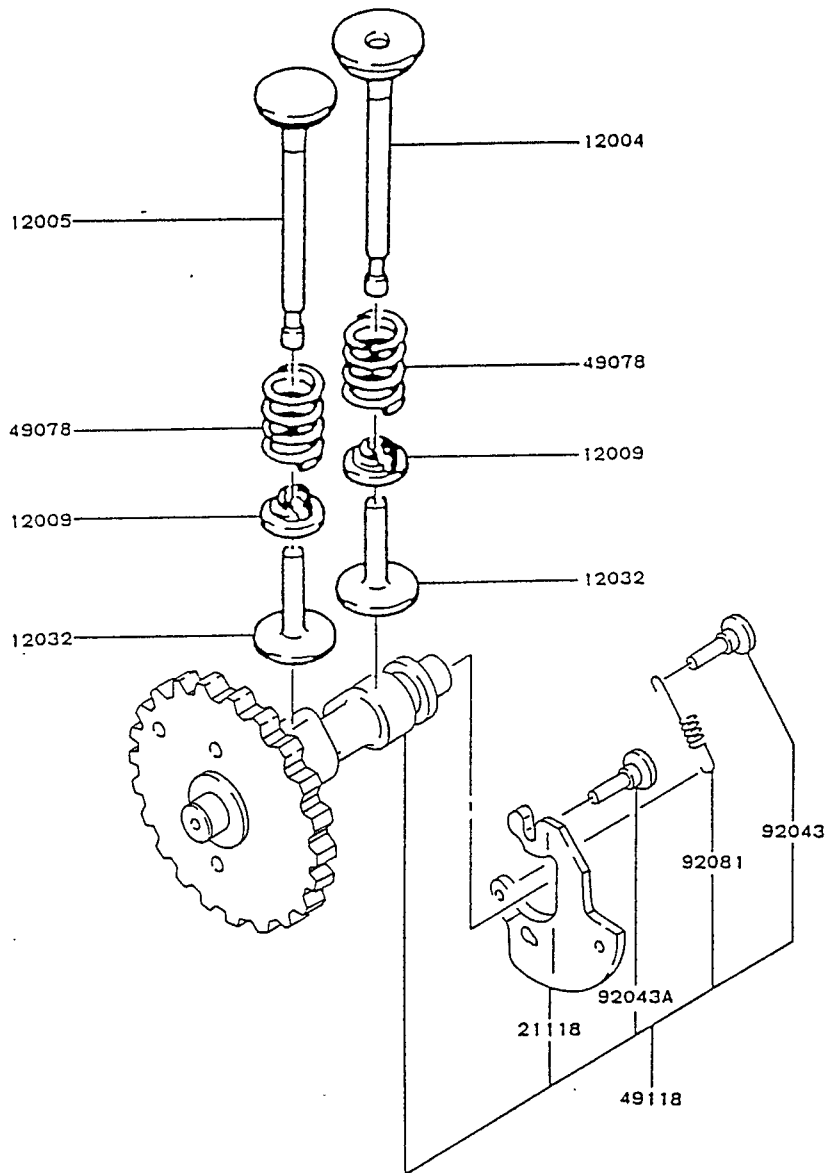
FA210D- S54

B-05

This grid covers:

VALVE/CAMSHAFT

E0130-2017A



| Ref. No. | Parts No. | Description | E | Quantity |
|----------|--------------|-----------------------|---|----------|
| 12004 | 315500-2111A | VALVE-INTAKE | 1 | |
| 12005 | 315501-2112A | VALVE-EXHAUST | 1 | |
| 12009 | 314401-2116B | RETAINER-VALVE SPRING | 2 | |
| 12032 | 315501-2211A | TAPPET | 2 | |
| 21118 | 21118-2062 | DECOMPRESSOR | 1 | |
| 49078 | 314401-2113A | SPRING-ENGINE VALVE | 2 | |
| 49118 | 49118-2059 | CAMSHAFT-COMP | 1 | |
| 92043 | 92043-2123 | PIN | 1 | |
| 92043A | 92043-2126 | PIN | 2 | |
| 92081 | 92081-2342 | SPRING | 1 | |

This catalog covers:

FA210D- S54

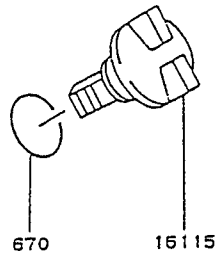
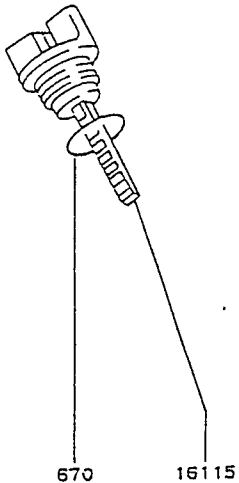
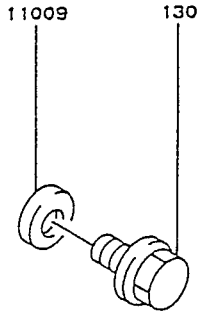
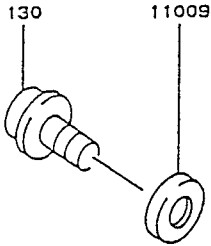
B-06

This grid covers:

LUBRICATION-EQUIPMENT

E0140-2009A

| Ref. No. | Parts No. | Description | Quantity |
|----------|------------|----------------|----------|
| 11009 | 11009-2432 | GASKET | 2 |
| 16115 | 16115-2069 | CAP-OIL FILLER | 2 |
| 130 | 130D1014 | BOLT-FLANGED | 2 |
| 670 | 670B2015 | RING-O | 2 |



This catalog covers:

FA210D- S54

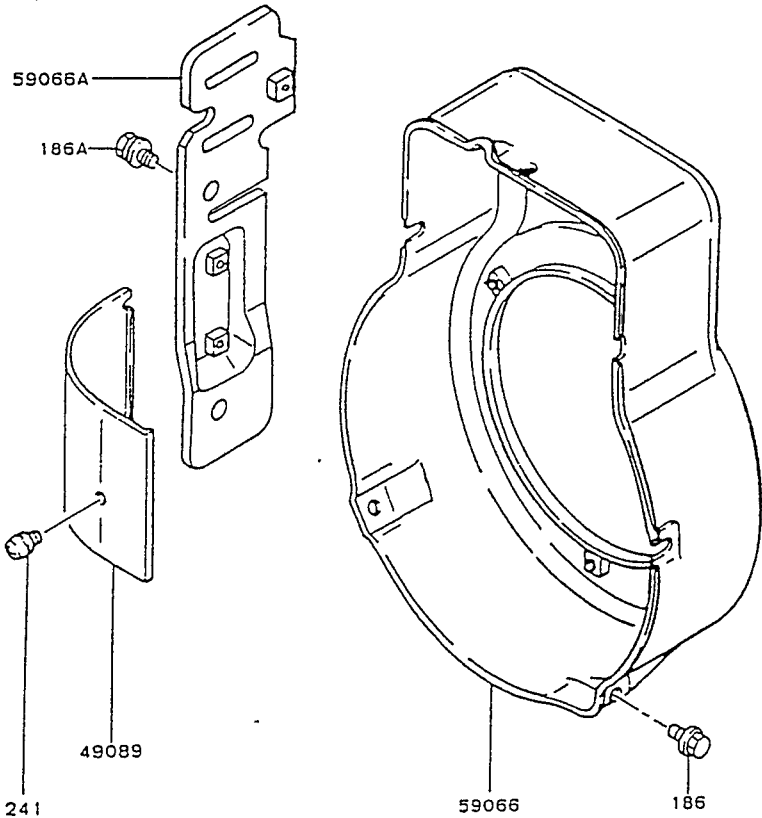
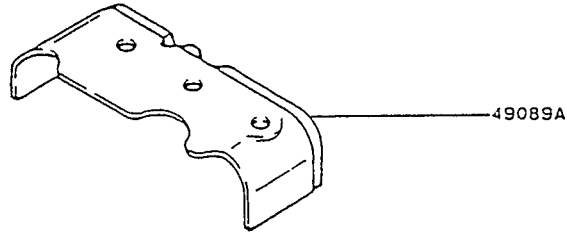
B-07

This grid covers:

COOLING-EQUIPMENT

E0150-2115A

| Ref. No. | Parts No. | Description | Quantity |
|----------|---------------|----------------|----------|
| 49089 | 315501-1632A | SHROUD-ENGINE | 1 |
| 49089A | 49089-2066-9H | SHROUD-ENGINE | 1 |
| 59066 | 59066-2096-9H | HOUSING-FAN | 1 |
| 59066A | 59066-2288-9H | HOUSING-FAN | 1 |
| 186 | 186B0610 | BOLT-UPSET-WP | 5 |
| 186A | 186B0612 | BOLT-UPSET-WP | 2 |
| 241 | 241B0510 | SCREW-PAN-WP+- | 1 |



This catalog covers:

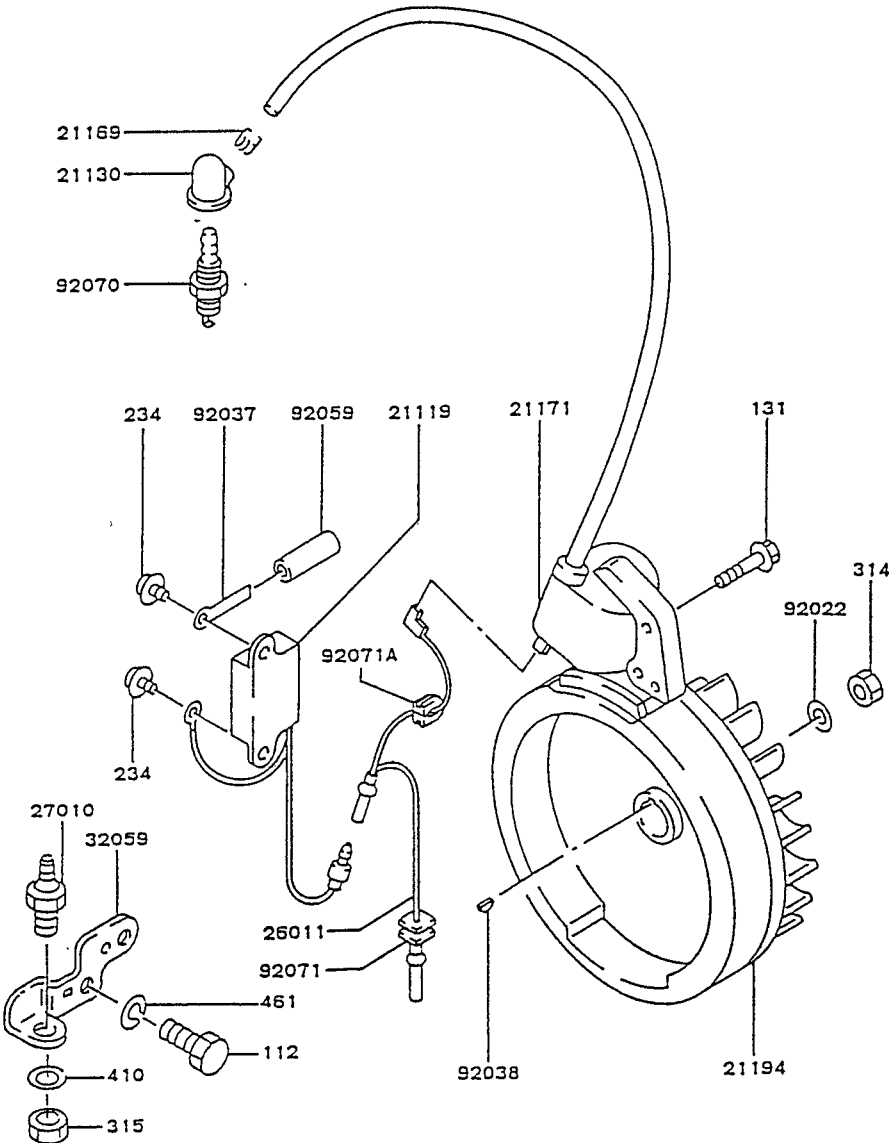
FA210D- S54

B-08

This grid covers:

ELECTRIC-EQUIPMENT

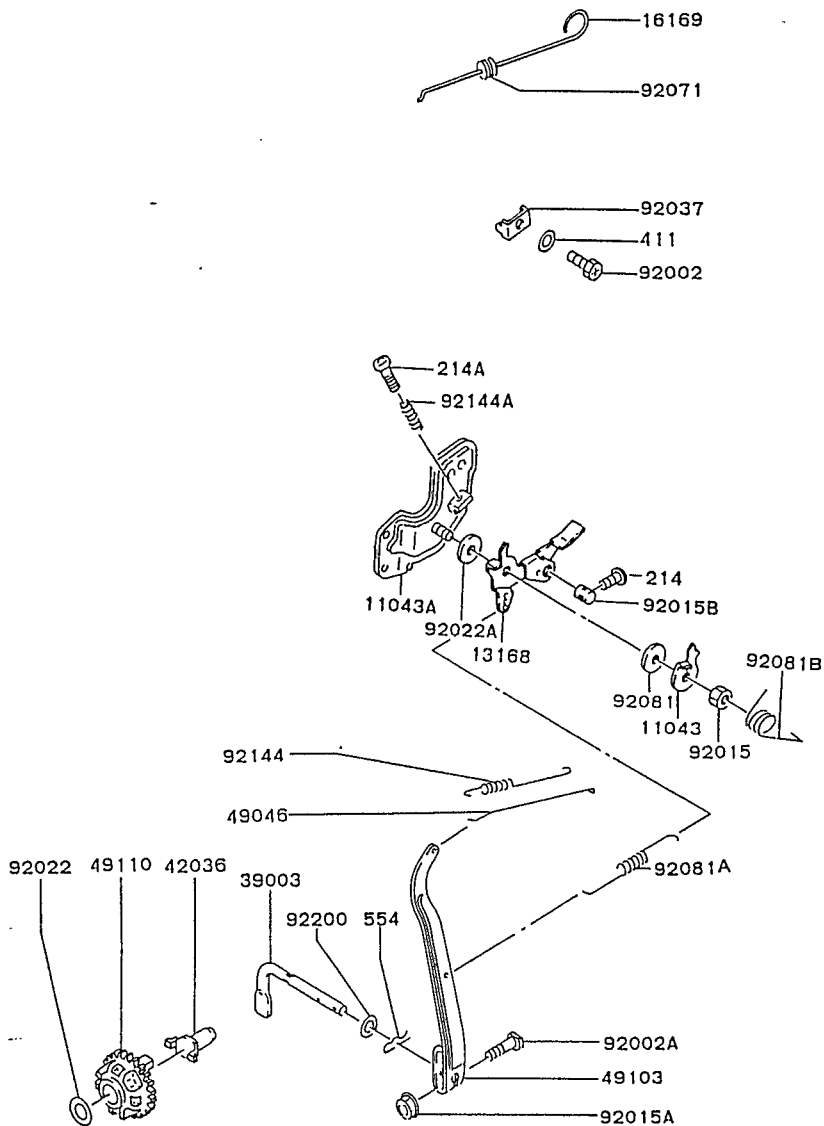
E0160-2184A



| Ref. No. | Parts No. | Description | Quantity |
|----------|---------------|------------------------|----------|
| 21119 | 3144AA-8465A | IGNITER | 1 |
| 21130 | 21130-2066 | CAP-SPARK PLUG | 1 |
| 21169 | 317270-8419A | TERMINAL | 1 |
| 21171 | 21171-2167 | COIL-ASSY-IGNITION | 1 |
| 21194 | 21194-2114 | FLYWHEEL-COMP | 1 |
| 26011 | 26011-2080 | WIRE-LEAD | 1 |
| 27010 | 315515-8511A | SWITCH | 1 |
| 32059 | 315515-8514B | BRACKET-SWITCH | 1 |
| 92022 | 314401-3482A | WASHER | 1 |
| 92037 | 92037-2165 | CLAMP | 1 |
| 92038 | 92038-2077 | KEY | 1 |
| 92059 | 92059-2156 | TUBE, 5X6X35 | 1 |
| 92070 | 92070-2051 | PLUG-SPARK, BM6A (NGK) | 1 |
| 92071 | 314401-8164B* | GROMMET | 1 |
| 92071A | 92071-2113 | GROMMET | 1 |
| 112 | 112B0508 | BOLT-UPSET | 1 |
| 131 | 131B0520 | BOLT-FLANGED | 2 |
| 234 | 234B0514 | SCREW-PAN-WSP+- | 2 |
| 314 | 314G1400 | NUT-HEX-FINE | 1 |
| 315 | 315B1000 | NUT-HEX-FINE | 1 |
| 410 | 410B1000 | W-PLAIN-S | 1 |
| 461 | 461F0500 | WASHER-SPRING | 1 |

E0170-2486A

| Ref. No. | Parts No. | Description | Quantity |
|----------|--------------|----------------------|----------|
| 11043 | 315501-5337A | BRACKET | 1 |
| 11043A | 315515-5335A | BRACKET | 1 |
| 13168 | 13168-2347 | LEVER | 1 |
| 16169 | 16169-2099 | LINK-CHOKE | 1 |
| 39003 | 39003-2069 | ARM-PIVOT | 1 |
| 42036 | 314401-5121B | SLEEVE | 1 |
| 49046 | 314412-5231A | ROD-GOVERNOR | 1 |
| 49103 | 315501-5211B | ARM-GOVERNOR | 1 |
| 49110 | 314401-5110A | GOVERNOR-ASSY | 1 |
| 92002 | 315501-5381A | BOLT | 1 |
| 92002A | 92002-2269 | BOLT | 1 |
| 92015 | 314401-5385A | NUT | 1 |
| 92015A | 92015-1193 | NUT | 1 |
| 92015B | 92015-2120 | NUT | 1 |
| 92022 | 314401-5135A | WASHER | 1 |
| 92022A | 314401-5383A | WASHER | 1 |
| 92037 | 92037-2020 | CLAMP | 1 |
| 92071 | 92071-2126 | GROMMET | 1 |
| 92081 | 314401-5388A | SPRING | 1 |
| 92081A | 315501-5314D | SPRING | 1 |
| 92081B | 315601-5317A | SPRING | 1 |
| 92144 | 92144-2244 | SPRING | 1 |
| 92144A | 92144-2266 | SPRING | 1 |
| 92200 | 92200-2029 | WASHER, 6.5X11.5X2.0 | 1 |
| 214 | 214B0408 | SCREW-PAN+- | 1 |
| 214A | 214B0420 | SCREW-PAN+- | 1 |
| 411 | 411B0500 | WASHER-PLAIN | 1 |
| 554 | 554A0600 | PIN-SNAP | 1 |



This catalog covers:

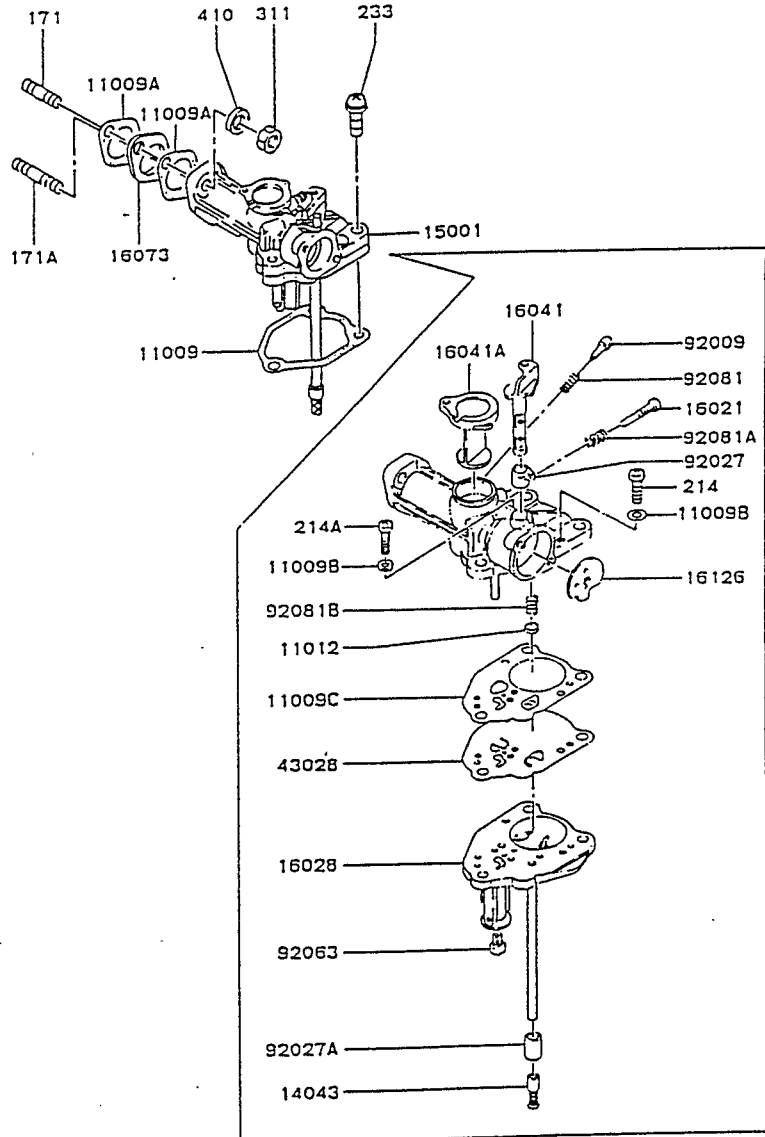
FA210D- S54

B-10

This grid covers:

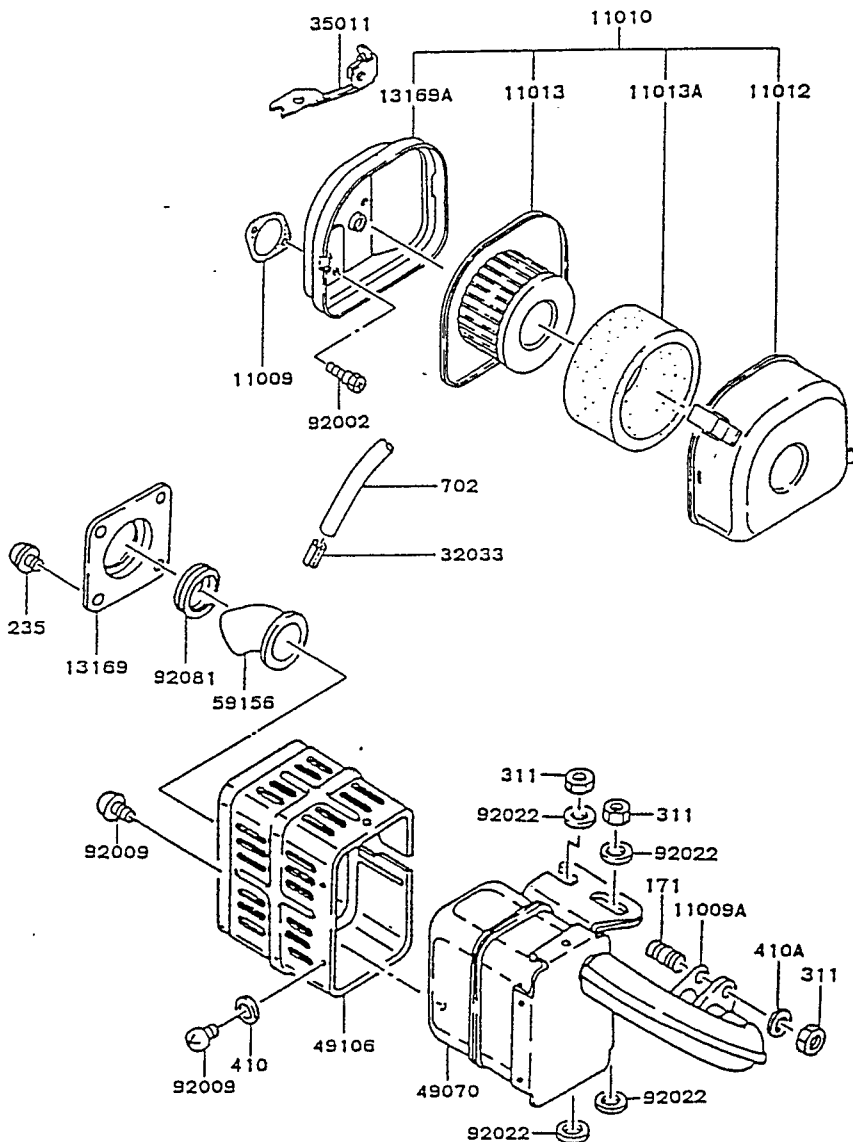
CARBURETOR

E0180-2242A



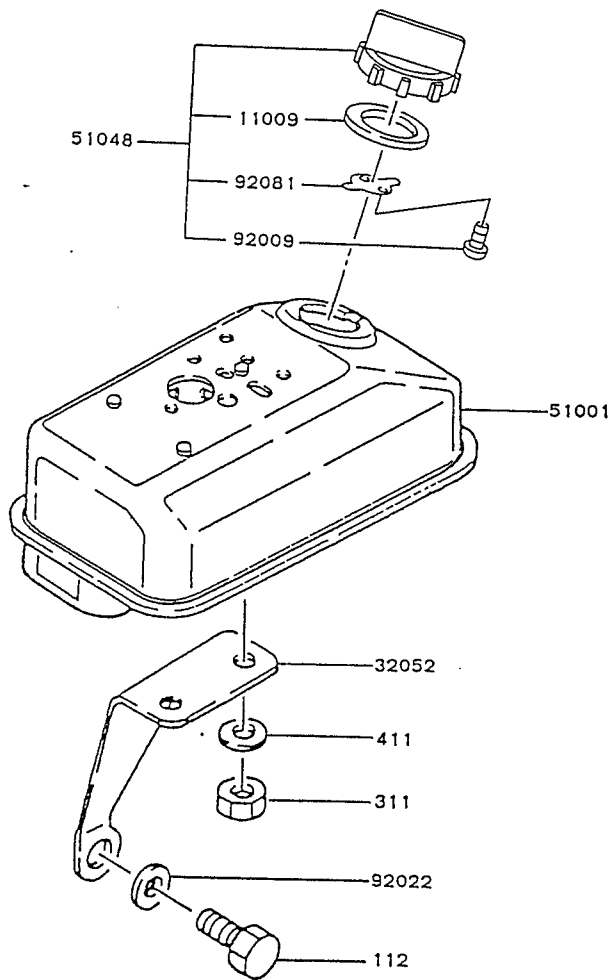
| Ref. No. | Parts No. | Description | E | Quantity |
|----------|----------------|---------------------|---|----------|
| 11009 | 314401-6131B | GASKET | 1 | |
| 11009A | 314401-6184A | GASKET | 2 | |
| 11009B | 314419-6174A | GASKET | 3 | |
| 11009C | 315501-6171A | GASKET | 1 | |
| 11012 | 314401-6167A | CAP | 1 | |
| 14043 | 312801-6168A | FILTER | 1 | |
| 15001 | 15001-2542 | CARBURETOR-ASSY | 1 | |
| 16021 | 314401-6114A | SCREW-THROTTLE STOP | 1 | |
| 16028 | 16028-2057 | CHAMBER-MIXING | 1 | |
| 16041 | 314401-6142A | SHAFT-CARBURETOR | 1 | |
| 16041A | 315501-6139B | SHAFT-CARBURETOR | 1 | |
| 16073 | 16073-2056 | INSULATOR | 1 | |
| 16126 | 315501-6102A | VALVE | 1 | |
| 43028 | 315501-6160A | DIAPHRAGM | 1 | |
| 92009 | 315504-6115A | SCREW | 1 | |
| 92027 | 314401-6144A | COLLAR | 1 | |
| 92027A | 315507-6144A | COLLAR | 1 | |
| 92063 | 3155AB-6063A | JET-MAIN, #86 | 1 | |
| 92081 | 311509-6117-00 | SPRING | 1 | |
| 92081A | 314401-6116A | SPRING | 1 | |
| 92081B | 314401-6164A | SPRING | 1 | |
| 171 | 171G0625 | BOLT-STUD | 1 | |
| 171A | 171G0640 | BOLT-STUD | 1 | |
| 214 | 214B0414 | SCREW-PAN+- | 2 | |
| 214A | 214B0430 | SCREW-PAN+- | 1 | |
| 233 | 233B0625 | SCREW-PAN-WP+- | 3 | |
| 311 | 311B0600 | NUT-HEX | 2 | |
| 410 | 410B0600 | W-PLAIN-S | 2 | |

E0190-2094A



| Ref. No. | Parts No. | Description | E | Quantity |
|----------|---------------|---------------------|---|----------|
| 11009 | 314401-1332A | GASKET | 1 | |
| 11009A | 315501-1442A | GASKET | 1 | |
| 11010 | 11010-2074-9H | FILTER-ASSY-AIR | 1 | |
| 11012 | 315510-1316B | CAP | 1 | |
| 11013 | 3144AA-1312A | ELEMENT-AIR FILTER | 1 | |
| 11013A | 315510-1313A | ELEMENT-AIR FILTER | 1 | |
| 13169 | 13169-2144-9Z | PLATE | 1 | |
| 13169A | 315510-1311B | PLATE | 1 | |
| 32033 | 314401-1341A | PIPE | 1 | |
| 35011 | 315501-1351A | STAY | 1 | |
| 49070 | 49070-2085-9Z | MUFFLER-COMP | 1 | |
| 49106 | 49106-2095-9X | COVER-MUFFLER | 1 | |
| 59156 | 59156-2064-9Z | PIPE-TAIL | 1 | |
| 92002 | 314413-1316A | BOLT | 3 | |
| 92009 | 314405-3091B | SCREW | 9 | |
| 92022 | 314401-6681A | WASHER | 4 | |
| 92081 | 314406-1455A | SPRING | 1 | |
| 171 | 171G0816 | BOLT-STUD | 2 | |
| 235 | 235B0508 | SCREW-PAN-WP-CROS | 4 | |
| *311 | 311B0800 | NUT-HEX | 4 | |
| 410 | 410B0400 | W-PLAIN-S | 5 | |
| 410A | 410B0800 | W-PLAIN-S | 2 | |
| 702 | 702A071000 | TUBE-RUBBER, L155MM | 1 | |

E0200-2419A



| Ref. No. | Parts No. | Description | Quantity |
|----------|---------------|----------------|----------|
| 11009 | 314401-6643F | GASKET | 1 |
| 32052 | 32052-2077-9H | BRACKET-TANK | 1 |
| 51001 | 51001-2063-9H | TANK-COMP-FUEL | 1 |
| 51048 | 51048-2062 | CAP-ASSY-TANK | 1 |
| 92009 | 314401-6732A | SCREW | 2 |
| 92022 | 314401-6681A | WASHER | 1 |
| 92081 | 314401-6644A | SPRING | 1 |
| 112 | 112B0816 | BOLT-UPSET | 1 |
| 311 | 311B0800 | NUT-HEX | 2 |
| 411 | 411B0800 | WASHER-PLAIN | 2 |

This catalog covers:

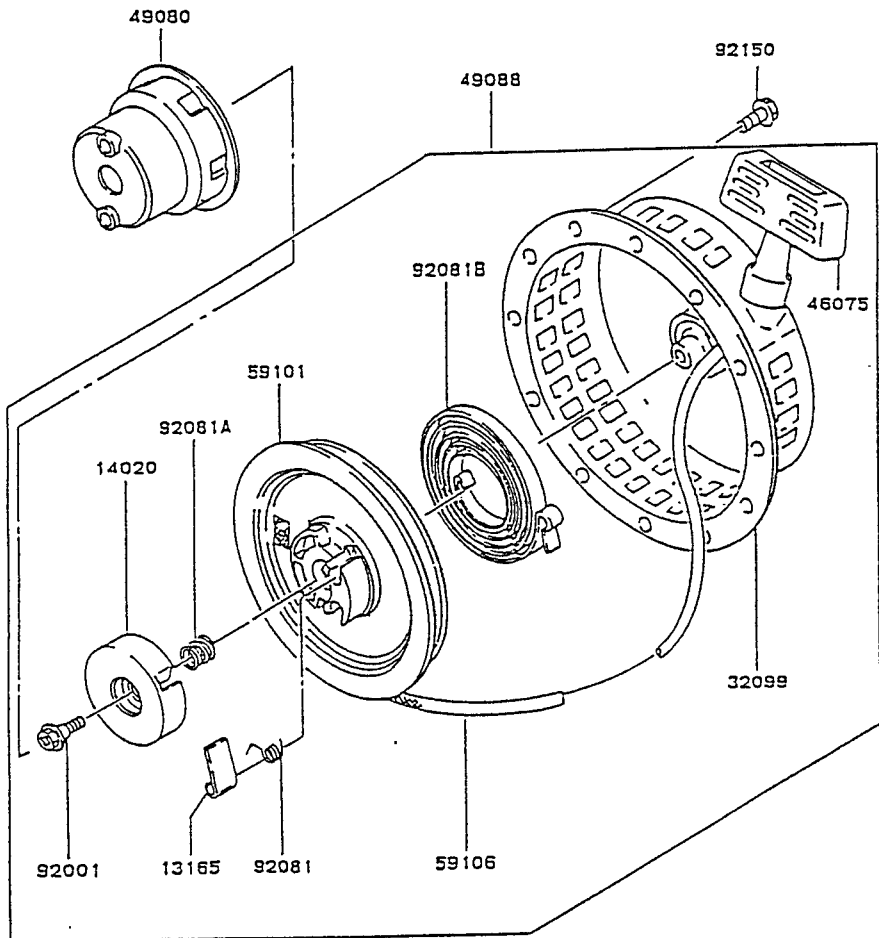
FA210D- S54

B-13

This grid covers:

STARTER

E0210-2097F



| Ref. No. | Parts No. | Description | Quantity |
|----------|---------------|----------------------|----------|
| 13165 | 314401-3445A | PAWL | 1 |
| 14020 | 314401-3449A | RETAINER | 1 |
| 32099 | 32099-2150-YK | CASE, RECOIL STARTER | 1 |
| 46075 | 46075-2059 | GRIP, RECOIL STARTER | 1 |
| 49080 | 49080-2165 | PULLEY-STARTING | 1 |
| 49088 | 49088-2320-YK | STARTER-RECOIL | 1 |
| 59101 | 59101-2076 | REEL, RECOIL STARTER | 1 |
| 59106 | 59106-2099 | ROPE, 4.5X1550 | 1 |
| 92001 | 314501-3447A | BOLT | 1 |
| 92081 | 314401-3444A | SPRING | 1 |
| 92081A | 314401-3446A | SPRING | 1 |
| 92081B | 314401-3452A | SPRING, RECOIL | 1 |
| 92150 | 92150-2211 | BOLT, 6X8 | 3 |

This catalog covers:

FA210D- S54

C-03

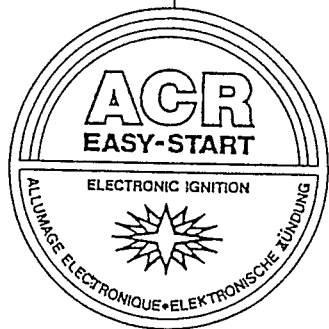
This grid covers:

LABEL

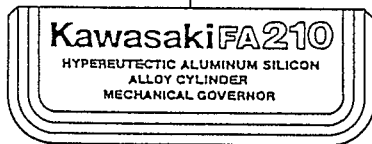
F0290-2805A

| Ref. No. | Parts No. | Description | Quantity |
|----------|------------|-------------|----------|
| 56030 | 56030-2179 | LABEL | 1 |
| 56038 | 56038-2459 | LABEL-BRAND | 1 |

56030



56038



| Parts No. | Grid No. | Parts No. | Grid No. | Parts No. | Grid No. | Parts No. | Grid No. | Parts No. | Grid No. |
|----------------|----------|--------------|----------|---------------|----------|-----------|----------|-----------|----------|
| 11001-2100 | B-03 | 314401-6116A | B-10 | 315601-5317A | B-09 | | | | |
| 11009-2432 | B-06 | 314401-6131B | B-10 | 317270-8419A | B-08 | | | | |
| 11010-2074-9H | B-11 | 314401-6142A | B-10 | 32052-2077-9H | B-12 | | | | |
| 112B0508 | B-08 | 314401-6144A | B-10 | 32099-2150-YK | B-13 | | | | |
| 112B0816 | B-12 | 314401-6164A | B-10 | 39003-2069 | B-09 | | | | |
| 130D1014 | B-06 | 314401-6167A | B-10 | 410B0400 | B-11 | | | | |
| 131B0520 | B-08 | 314401-6184A | B-10 | 410B0600 | B-10 | | | | |
| 13168-2347 | B-09 | 314401-6643F | B-12 | 410B0800 | B-03 | | | | |
| 13169-2144-9Z | B-11 | 314401-6644A | B-12 | 410B0800 | B-11 | | | | |
| 13251-6013 | B-04 | 314401-6681A | B-11 | 410B1000 | B-08 | | | | |
| | | | | | | | | | |
| 15001-2542 | B-10 | 314401-6681A | B-12 | 411B0500 | B-09 | | | | |
| 16028-2057 | B-10 | 314401-6732A | B-12 | 411B0800 | B-12 | | | | |
| 16073-2056 | B-10 | 314401-8164B | B-08 | 46075-2059 | B-13 | | | | |
| 16115-2069 | B-06 | 314405-3091B | B-11 | 461F0500 | B-08 | | | | |
| 16169-2099 | B-09 | 314406-1455A | B-11 | 49070-2085-9Z | B-11 | | | | |
| 171G0625 | B-10 | 314412-5231A | B-09 | 49080-2165 | B-13 | | | | |
| 171G0640 | B-10 | 314413-1316A | B-11 | 49088-2320-YK | B-13 | | | | |
| 171G0816 | B-11 | 314419-6174A | B-10 | 49089-2066-9H | B-07 | | | | |
| 186B0610 | B-07 | 314501-3447A | B-13 | 49106-2095-9X | B-11 | | | | |
| 186B0612 | B-03 | 315B1000 | B-08 | 49108-2086 | B-03 | | | | |
| | | | | | | | | | |
| 186B0612 | B-07 | 3155AB-6063A | B-10 | 49118-2059 | B-05 | | | | |
| 186B0630 | B-03 | 315500-2111A | B-05 | 49120-6003 | B-03 | | | | |
| 21118-2062 | B-05 | 315500-3020A | B-04 | 51001-2063-9H | B-12 | | | | |
| 21130-2066 | B-08 | 315500-3030A | B-04 | 51048-2062 | B-12 | | | | |
| 21171-2167 | B-08 | 315500-3131A | B-04 | 551A0612 | B-03 | | | | |
| 21194-2114 | B-08 | 315500-3132A | B-04 | 554A0600 | B-09 | | | | |
| 214B0408 | B-09 | 315501-1121A | B-03 | 56030-2179 | C-03 | | | | |
| 214B0414 | B-10 | 315501-1232A | B-03 | 56038-2459 | C-03 | | | | |
| 214B0420 | B-09 | 315501-1351A | B-11 | 59066-2096-9H | B-07 | | | | |
| 214B0430 | B-10 | 315501-1442A | B-11 | 59066-2288-9H | B-07 | | | | |
| | | | | | | | | | |
| 233B0625 | B-10 | 315501-1632A | B-07 | 59101-2076 | B-13 | | | | |
| 234B0514 | B-08 | 315501-2112A | B-05 | 59106-2099 | B-13 | | | | |
| 235B0508 | B-11 | 315501-2211A | B-05 | 59156-2064-9Z | B-11 | | | | |
| 241B0510 | B-07 | 315501-3010A | B-04 | 670B2015 | B-06 | | | | |
| 26011-2080 | B-08 | 315501-3111A | B-04 | 702A071000 | B-11 | | | | |
| 311B0600 | B-10 | 315501-3121A | B-04 | 92002-2269 | B-09 | | | | |
| 311B0800 | B-11 | 315501-3245A | B-04 | 92015-1193 | B-09 | | | | |
| 311B0800 | B-12 | 315501-3248A | B-04 | 92015-2120 | B-09 | | | | |
| 311509-6117-00 | B-10 | 315501-3249A | B-04 | 92033-2157 | B-04 | | | | |
| 312801-6168A | B-10 | 315501-4120B | B-03 | 92037-2020 | B-09 | | | | |
| | | | | | | | | | |
| 314G1400 | B-08 | 315501-4124A | B-03 | 92037-2165 | B-08 | | | | |
| 3144AA-1312A | B-11 | 315501-4211A | B-03 | 92038-2077 | B-08 | | | | |
| 3144AA-8465A | B-08 | 315501-5211B | B-09 | 92043-2123 | B-05 | | | | |
| 314401-1332A | B-11 | 315501-5314D | B-09 | 92043-2126 | B-05 | | | | |
| 314401-1341A | B-11 | 315501-5337A | B-09 | 92049-2199 | B-03 | | | | |
| 314401-2113A | B-05 | 315501-5381A | B-09 | 92059-2156 | B-08 | | | | |
| 314401-2116B | B-06 | 315501-6102A | B-10 | 92070-2051 | B-08 | | | | |
| 314401-3444A | B-13 | 315501-6139B | B-10 | 92071-2113 | B-08 | | | | |
| 314401-3445A | B-13 | 315501-6150A | B-10 | 92071-2126 | B-09 | | | | |
| 314401-3446A | B-13 | 315501-6171A | B-10 | 92081-2342 | B-05 | | | | |
| | | | | | | | | | |
| 314401-3449A | B-13 | 315504-1181A | B-03 | 92144-2244 | B-09 | | | | |
| 314401-3452A | B-13 | 315504-6115A | B-10 | 92144-2266 | B-09 | | | | |
| 314401-3482A | B-08 | 315507-6144A | B-10 | 92150-2203 | B-03 | | | | |
| 314401-5110A | B-09 | 315510-1311B | B-11 | 92150-2211 | B-13 | | | | |
| 314401-5121B | B-09 | 315510-1313A | B-11 | 92200-2029 | B-09 | | | | |
| 314401-5135A | B-09 | 315510-1316B | B-11 | | | | | | |
| 314401-5383A | B-09 | 315515-5335A | B-09 | | | | | | |
| 314401-5385A | B-09 | 315515-8511A | B-08 | | | | | | |
| 314401-5388A | B-09 | 315515-8514B | B-08 | | | | | | |
| 314401-6114A | B-10 | 315528-3211A | B-04 | | | | | | |