

This catalog covers:

FA210A — S51

GRID NO.

A-1

This grid covers:

FA210DSX

FRA 1992

PARTS CATALOG

4-STROKE AIR-COOLED ENGINE

FA210A

PRODUCT CODE	NOTE
FA210A-ES51	



Generation No. 1

This catalog covers:

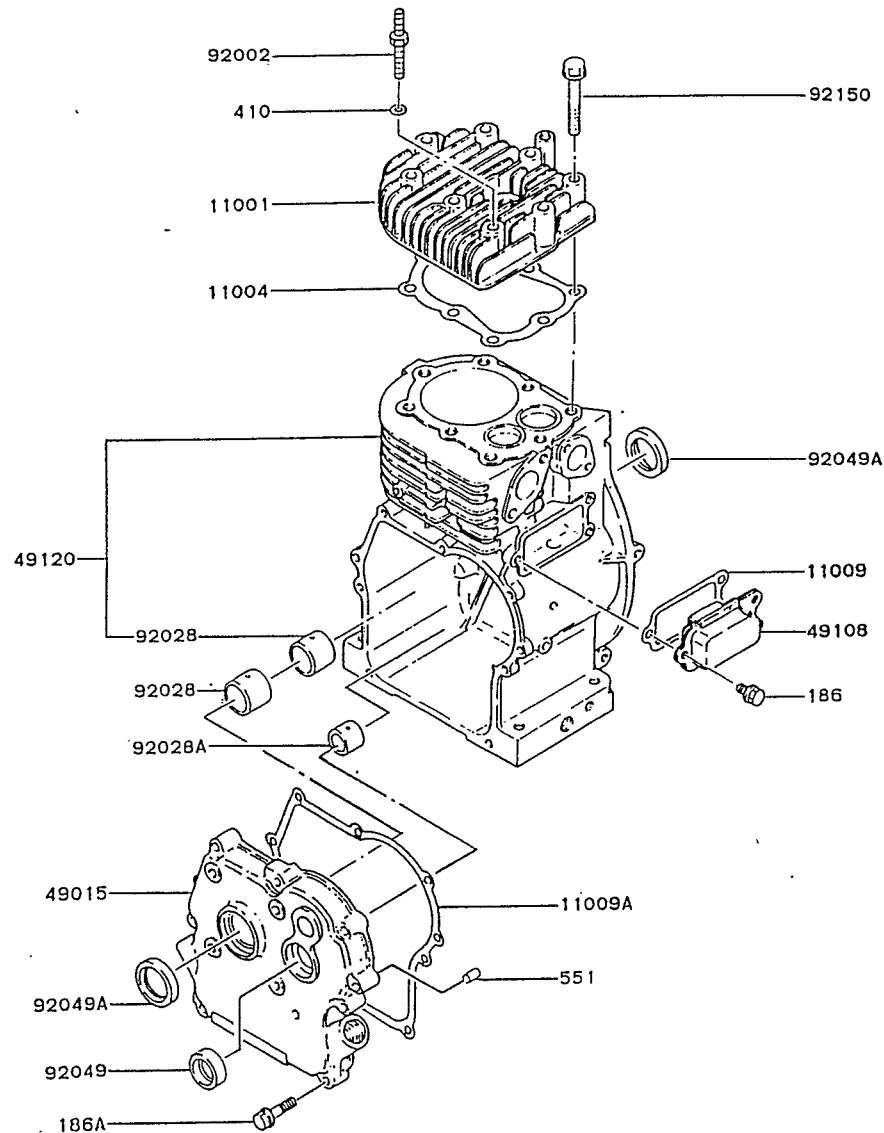
FA210A- S51

B-03

This grid covers:

CYLINDER/CRANKCASE

E0110-2070B



Ref. No.	Parts No.	Description	Quantity
11001	11001-2100	HEAD-CYLINDER	1
11004	315501-1121A	GASKET-HEAD	1
11009	315501-1232A	GASKET	1
11009A	315501-4124A	GASKET	1
49015	315513-4120A	COVER-CRANKCASE	1
49108	49108-2086	COVER-VALVE CHAMBER	1
49120	49120-6003	CRANKCASE-COMP	1
92002	315504-1181A	BOLT	2
92028	315501-4211A	BUSHING	2
92028A	315513-4211A	BUSHING	1
92049	315513-4231A	SEAL-OIL	1
92049A	92049-2199	SEAL-OIL	2
92150	92150-2203	BOLT, 8X55	6
186	186B0612	BOLT-UPSET-WP	3
186A	186B0630	BOLT-UPSET-WP	7
410	410B0800	W-PLAIN-S	2
551	551A0612	PIN-DOWEL	2

This catalog covers:

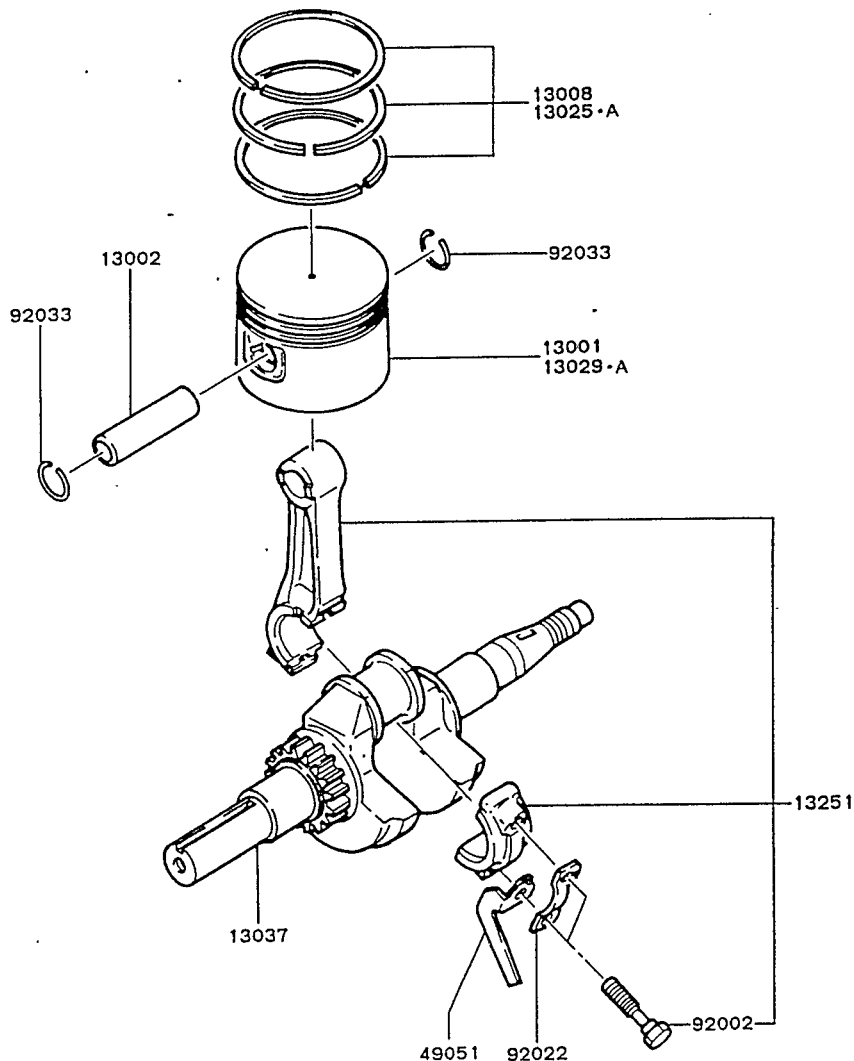
FA210A - S51

B-04

This grid covers:

PISTON/CRANKSHAFT

E0120-2074A



Ref. No.	Parts No.	Description	Quantity
13001	315501-3111A	PISTON-ENGINE	1
13002	315501-3121A	PIN-PISTON	1
13008	315501-3010A	RING-SET-PISTON	1
13025	315500-3020A	RING-SET-PISTON L,0.25	AR
13025A	315500-3030A	RING-SET-PISTON L,0.50	AR
13029	315500-3131A	PISTON-ENGINE L,0.25	AR
13029A	315500-3132A	PISTON-ENGINE L,0.50	AR
13037	315529-3211A	CRANKSHAFT	1
13251	13251-6013	ROD-ASSY-CONNECTING	1
49051	315501-3249A	SPLASHER	1
92002	315501-3245A	BOLT	2
92022	315501-3248A	WASHER	1
92033	92033-2157	RING-SNAP	2

This catalog covers:

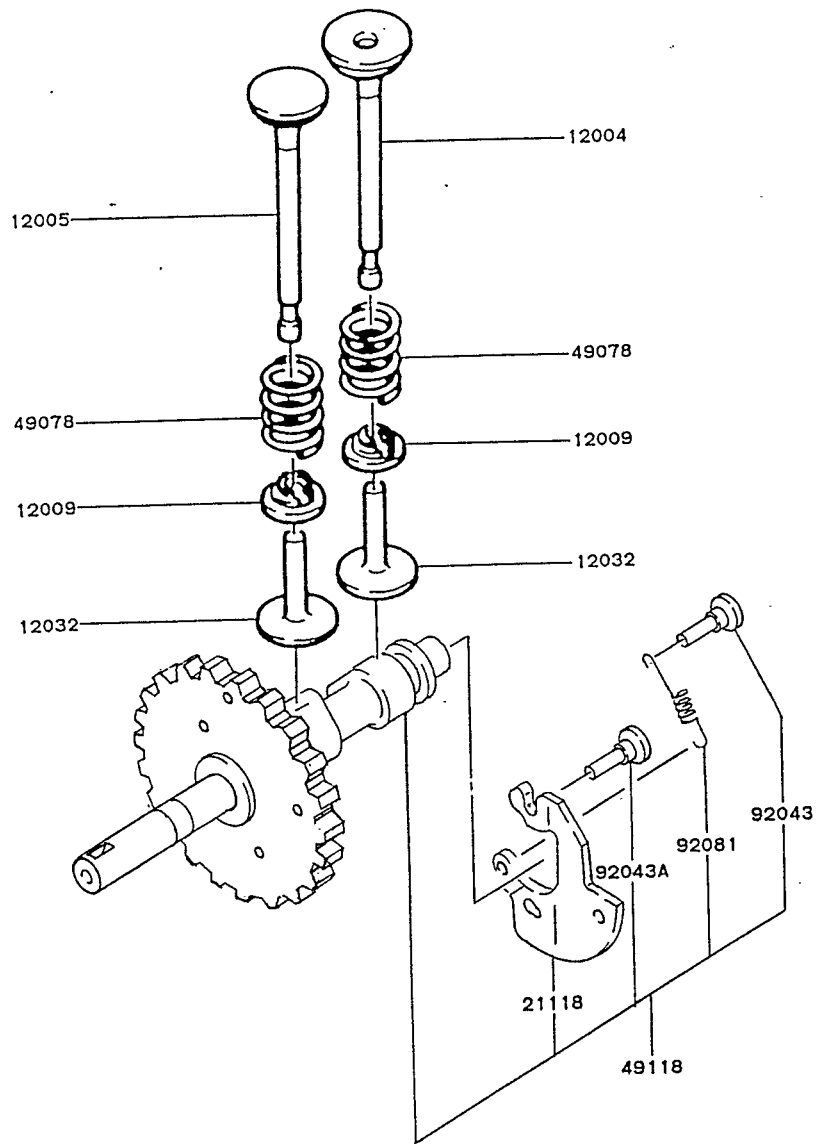
FA210A- S51

B-05

This grid covers:

VALVE/CAMSHAFT

E0130-2019A



Ref. No.	Parts No.	Description	E	Quantity
12004	315500-2111A	VALVE-INTAKE	1	
12005	315501-2112A	VALVE-EXHAUST	1	
12009	314401-2116B	RETAINER-VALVE SPRING	2	
12032	315501-2211A	TAPPET	2	
21118	21118-2062	DECOMPRESSOR	1	
49078	314401-2113A	SPRING-ENGINE VALVE	2	
49118	49118-2056	CAMSHAFT-COMP	1	
92043	92043-2123	PIN	1	
92043A	92043-2126	PIN	2	
92081	92081-2342	SPRING	1	

This catalog covers:

FA210A- S51

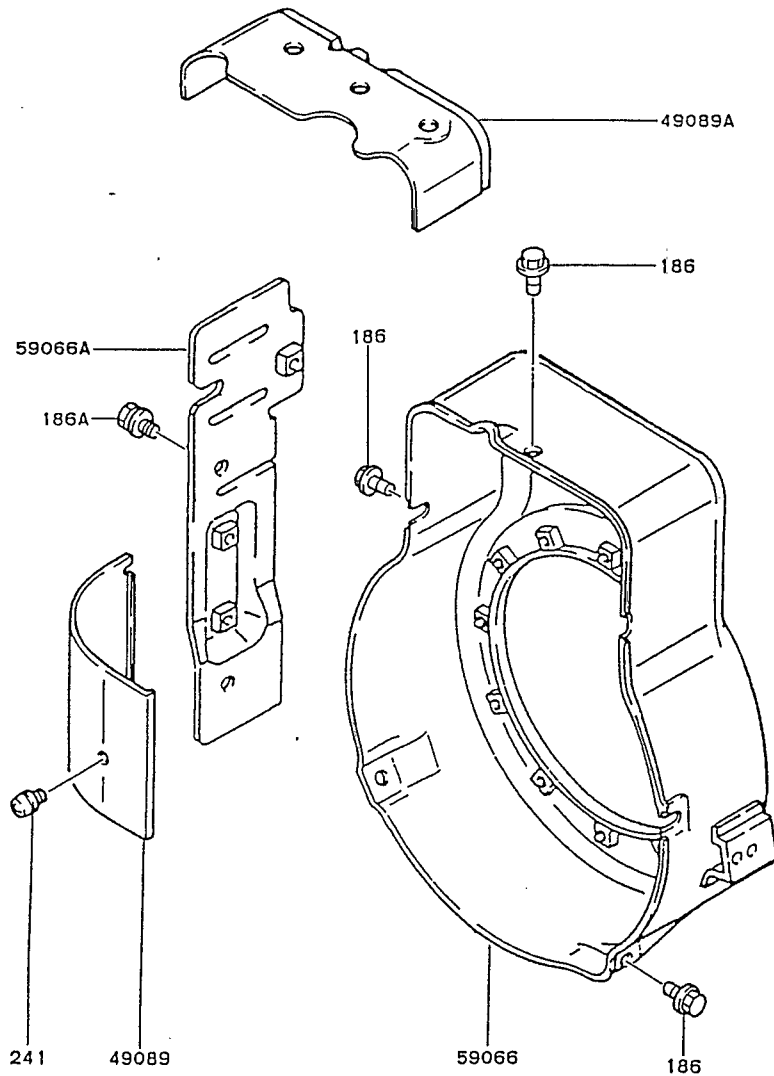
B-07

This grid covers:

COOLING-EQUIPMENT

E0150-2086A

Ref. No.	Parts No.	Description	Quantity
49089	315501-1632A	SHROUD-ENGINE	1
49089A	49089-2066-9H	SHROUD-ENGINE	1
59066	59066-2096-9H	HOUSING-FAN	1
59066A	59066-2288-9H	HOUSING-FAN	1
186	18680610	BOLT-UPSET-WP	5
186A	18680612	BOLT-UPSET-WP	2
241	241B0510	SCREW-PAN-WP+-	1



This catalog covers:

FA210A- S51

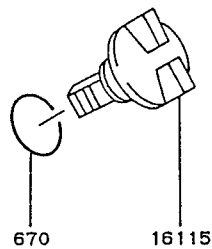
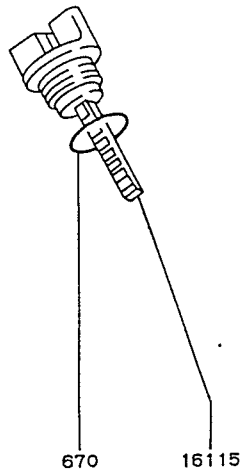
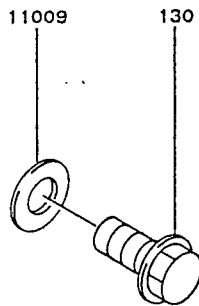
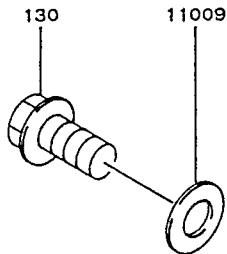
B-06

This grid covers:

LUBRICATION-EQUIPMENT

E0140-2009A

Ref. No.	Parts No.	Description	Quantity
11009	11009-2432	GASKET	2
16115	16115-2069	CAP-OIL FILLER	2
130	130D1014	BOLT-FLANGED	2
670	670B2015	RING-O	2



This catalog covers:

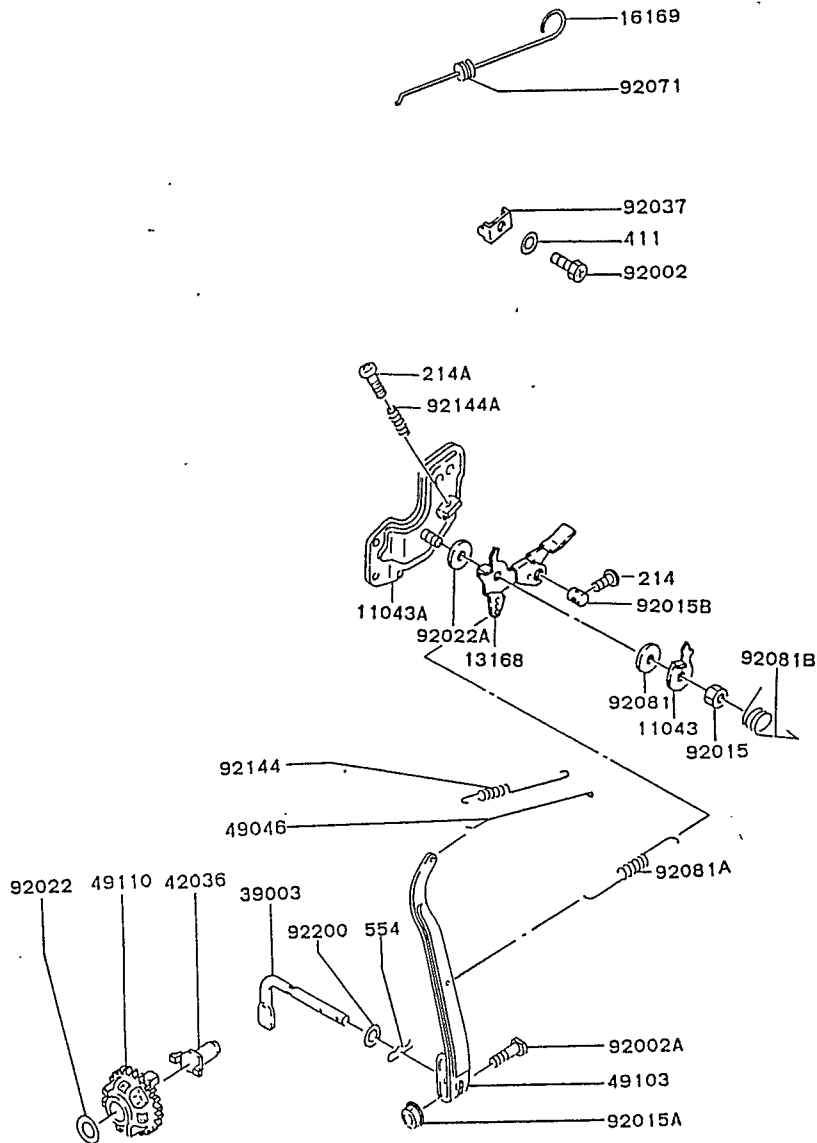
FA210A - S51

B-09

This grid covers:

CONTROL-EQUIPMENT

E0170-2486A



Ref. No.	Parts No.	Description	Quantity	E
11043	315501-5337A	BRACKET	1	
11043A	315515-5335A	BRACKET	1	
13168	13168-2347	LEVER	1	
16169	16169-2099	LINK-CHOKE	1	
39003	39003-2069	ARM-PIVOT	1	
42036	314401-5121B	SLEEVE	1	
49046	314412-5231A	ROD-GOVERNOR	1	
49103	315501-5211B	ARM-GOVERNOR	1	
49110	314401-5110A	GOVERNOR-ASSY	1	
92002	315501-5381A	BOLT	1	
92002A	92002-2269	BOLT	1	
92015	314401-5385A	NUT	1	
92015A	92015-1193	NUT	1	
92015B	92015-2120	NUT	1	
92022	314401-5135A	WASHER	1	
92022A	314401-5383A	WASHER	1	
92037	92037-2020	CLAMP	1	
92071	92071-2126	GROMMET	1	
92081	314401-5388A	SPRING	1	
92081A	315501-5314D	SPRING	1	
92081B	315601-5317A	SPRING	1	
92144	92144-2244	SPRING	1	
92144A	92144-2266	SPRING	1	
92200	92200-2029	WASHER, 6.5X11.5X2.0	1	
214	214B0408	SCREW-PAN+-	1	
214A	214B0420	SCREW-PAN+-	1	
411	411B0500	WASHER-PLAIN	1	
554	554A0600	PIN-SNAP	1	

This catalog covers:

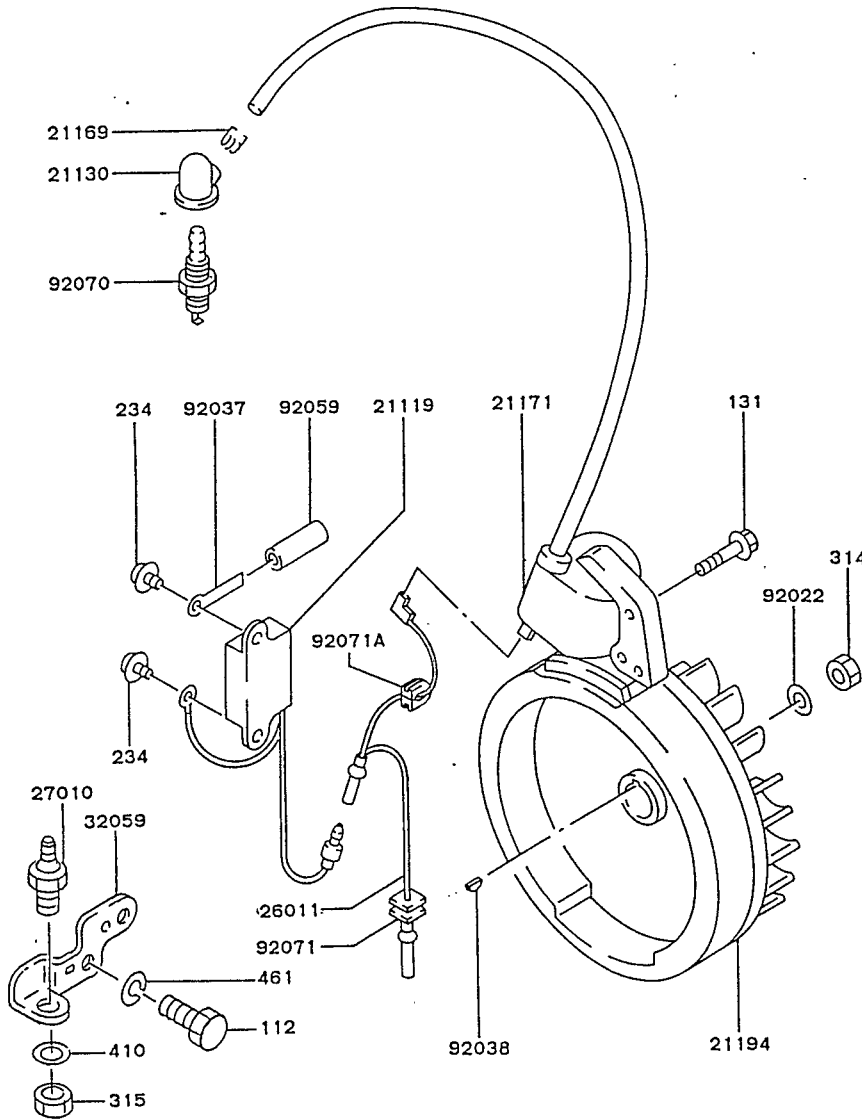
FA210A- S51

B-08

This grid covers:

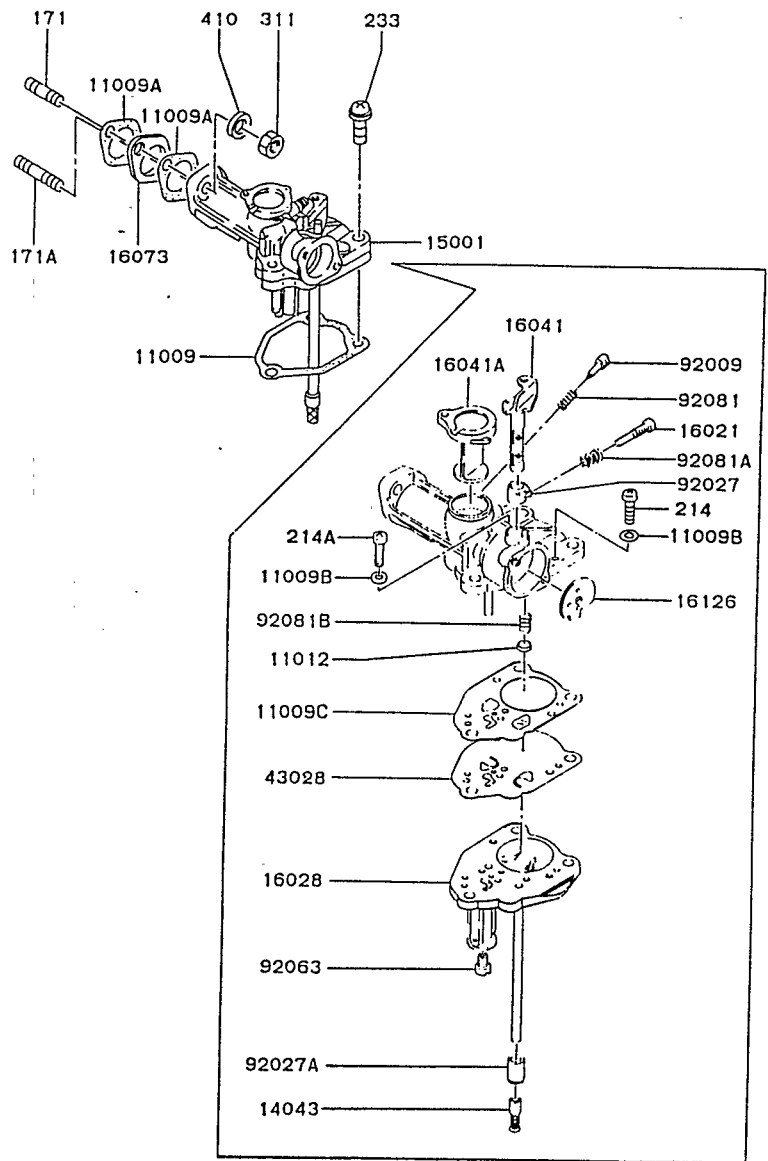
ELECTRIC-EQUIPMENT

E0160-2184A



Ref. No.	Parts No.	Description	E	Quantity
21119	3144AA-8465A	IGNITER	1	
21130	21130-2066	CAP-SPARK PLUG	1	
21169	317270-8419A	TERMINAL	1	
21171	21171-2167	COIL-ASSY-IGNITION	1	
21194	21194-2114	FLYWHEEL-COMP	1	
26011	26011-2080	WIRE-LEAD	1	
27010	315515-8511A	SWITCH	1	
32059	315515-8514B	BRACKET-SWITCH	1	
92022	314401-3482A	WASHER	1	
92037	92037-2165	CLAMP	1	
92038	92038-2077	KEY	1	
92059	92059-2156	TUBE, 5X6X35	1	
92070	92070-2051	PLUG-SPARK, BM6A(NGK)	1	
92071	314401-8164B	GROMMET	1	
92071A	92071-2113	GROMMET	1	
112	112B0508	BOLT-UPSET	1	
131	131B0520	BOLT-FLANGED	2	
234	234B0514	SCREW-PAN-WSP+-	2	
314	314G1400	NUT-HEX-FINE	1	
315	315B1000	NUT-HEX-FINE	1	
410	410B1000	W-PLAIN-S	1	
461	461F0500	WASHER-SPRING	1	

E0180-2242A



Ref. No.	Parts No.	Description	Quantity
11009	314401-6131B	GASKET	1
11009A	314401-6184A	GASKET	2
11009B	314419-6174A	GASKET	3
11009C	315501-6171A	GASKET	1
11012	314401-6167A	CAP	1
14043	312801-6168A	FILTER	1
15001	15001-2542	CARBURETOR-ASSY	1
16021	314401-6114A	SCREW-THROTTLE STOP	1
16028	16028-2057	CHAMBER-MIXING	1
16041	314401-6142A	SHAFT-CARBURETOR	1
16041A	315501-6139B	SHAFT-CARBURETOR	1
16073	16073-2056	INSULATOR	1
16126	315501-6102A	VALVE	1
43028	315501-6160A	DIAPHRAGM	1
92009	315504-6115A	SCREW	1
92027	314401-6144A	COLLAR	1
92027A	315507-6144A	COLLAR	1
92063	3155AB-6063A	JET-MAIN, #86	1
92081	311509-6117-00	SPRING	1
92081A	314401-6116A	SPRING	1
92081B	314401-6164A	SPRING	1
171	171G0625	BOLT-STUD	1
171A	171G0640	BOLT-STUD	1
214	214B0414	SCREW-PAN+-	2
214A	214B0430	SCREW-PAN+-	1
233	233B0625	SCREW-PAN-WP+-	3
311	311B0600	NUT-HEX	2
410	410B0600	W-PLAIN-S	2

This catalog covers:

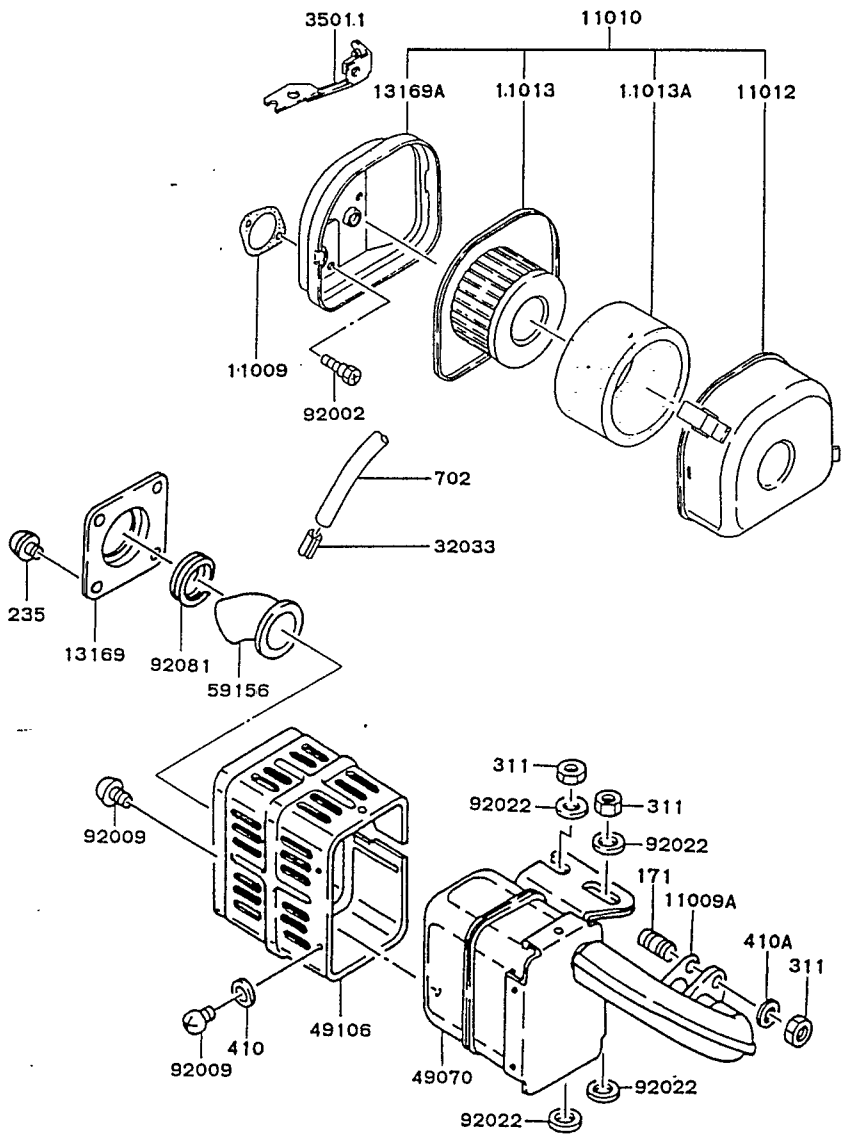
FA210A- S51

B-11

This grid covers:

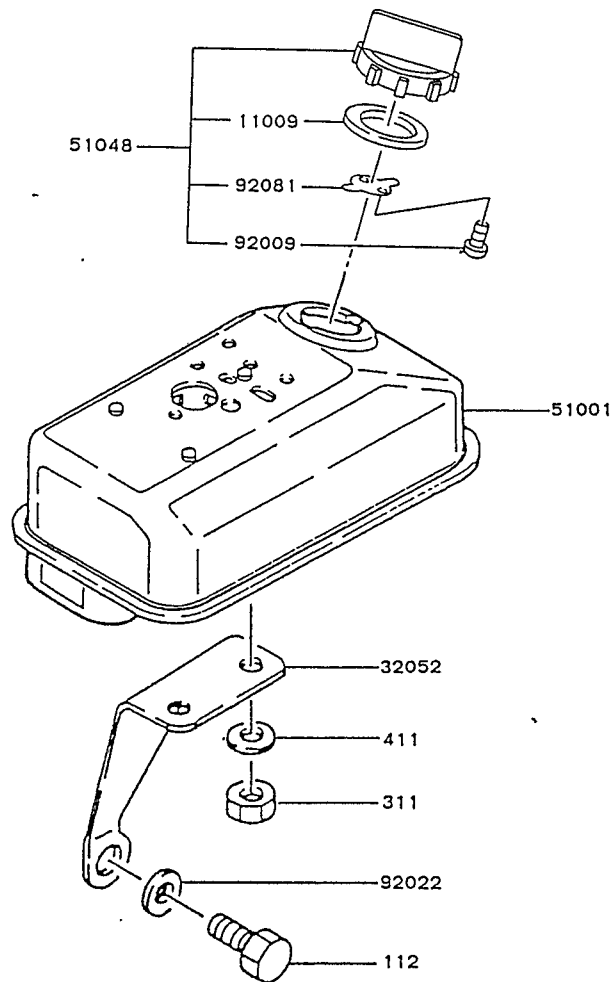
AIR-FILTER/MUFFLER

E0190-2094A



Ref. No.	Parts No.	Description	Quantity
11009	314401-1332A	GASKET	1
11009A	315501-1442A	GASKET	1
11010	11010-2074-9H	FILTER-ASSY-AIR	1
11012	315510-1316B	CAP	1
11013	3144AA-1312A	ELEMENT-AIR FILTER	1
11013A	315510-1313A	ELEMENT-AIR FILTER	1
13169	13169-2144-9Z	PLATE	1
13169A	315510-1311B	PLATE	1
32033	314401-1341A	PIPE	1
35011	315501-1351A	STAY	1
49070	49070-2085-9Z	MUFFLER-COMP	1
49106	49106-2095-9X	COVER-MUFFLER	1
59156	59156-2064-9Z	PIPE-TAIL	1
92002	314413-1316A	BOLT	3
92009	314405-3091B	SCREW	9
92022	314401-6681A	WASHER	4
92081	314406-1455A	SPRING	1
171	171G0816	BOLT-STUD	2
235	235B0508	SCREW-PAN-WP-CROS	4
311	311B0800	NUT-HEX	4
410	410B0400	W-PLAIN-S	5
410A	410B0800	W-PLAIN-S	2
702	702A071000	TUBE-RUBBER, L155MM	1

E0200-2419A



Ref. No.	Parts No.	Description	Quantity
11009	314401-6643F	GASKET	1
32052	32052-2077-9H	BRACKET-TANK	1
51001	51001-2063-9H	TANK-COMP-FUEL	1
51048	51048-2062	CAP-ASSY-TANK	1
92009	314401-6732A	SCREW	2
92022	314401-6681A	WASHER	1
92081	314401-6644A	SPRING	1
112	112B0816	BOLT-UPSET	1
311	311B0800	NUT-HEX	2
411	411B0800	WASHER-PLAIN	2

This catalog covers:

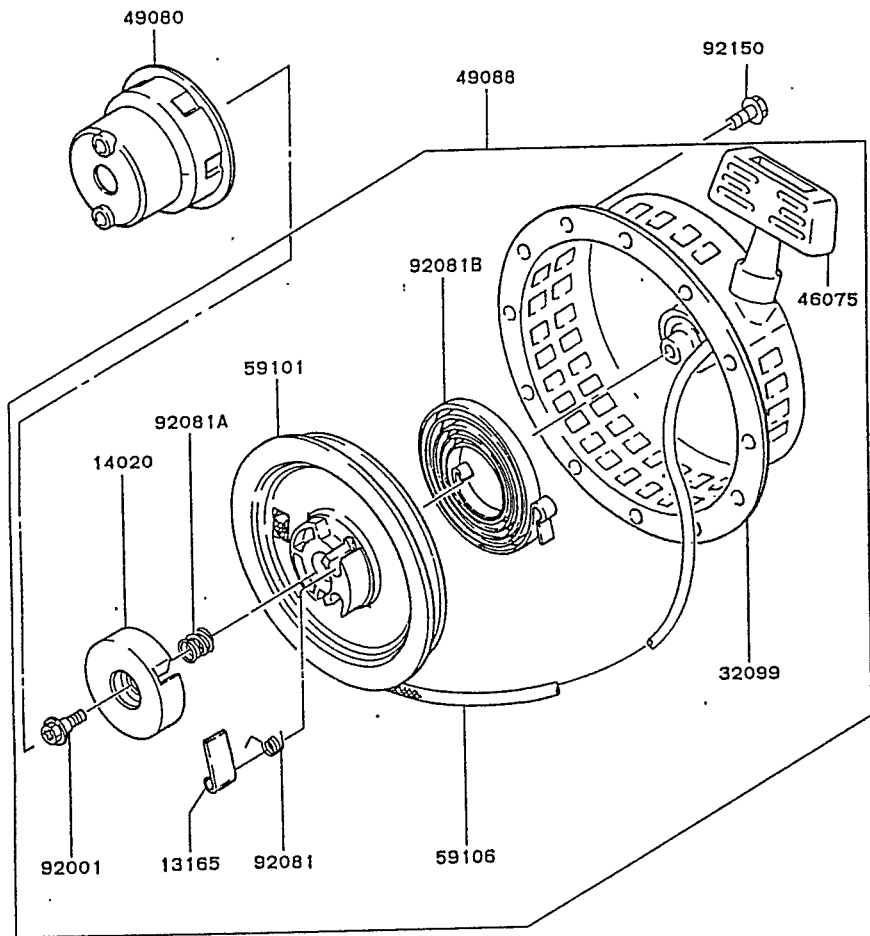
FA210A- S51

B-13

This grid covers:

STARTER

E0210-2097F



Ref. No.	Parts No.	Description	E	Quantity
13165	314401-3445A	PAWL	1	
14020	314401-3449A	RETAINER	1	
32099	32099-2150-YK	CASE, RECOIL STARTER	1	
46075	46075-2059	GRIP, RECOIL STARTER	1	
49080	49080-2165	PULLEY-STARTING	1	
49088	49088-2320-YK	STARTER-RECOIL	1	
59101	59101-2076	REEL, RECOIL STARTER	1	
59106	59106-2099	ROPE, 4.5X1550	1	
92001	314501-3447A	BOLT	1	
92081	314401-3444A	SPRING	1	
92081A	314401-3446A	SPRING	1	
92081B	314401-3452A	SPRING, RECOIL	1	
92150	92150-2211	BOLT, 6X8	3	

Parts No.	Grid No.	Parts No.	Grid No.	Parts No.	Grid No.	Parts No.	Grid No.	Parts No.	Grid No.
11001-2100	B-03	314401-6116A	B-10	315515-8514B	B-08				
11009-2432	B-06	314401-6131B	B-10	315529-3211A	B-04				
11010-2074-9H	B-11	314401-6142A	B-10	315601-5317A	B-09				
112B0508	B-08	314401-6144A	B-10	317270-8419A	B-08				
112B0816	B-12	314401-6164A	B-10	32052-2077-9H	B-12				
130D1014	B-06	314401-6167A	B-10	32099-2150-YK	B-13				
131B0520	B-08	314401-6184A	B-10	39003-2069	B-09				
13168-2347	B-09	314401-6643F	B-12	410B0400	B-11				
13169-2144-9Z	B-11	314401-6644A	B-12	410B0600	B-10				
13251-6013	B-04	314401-6681A	B-11	410B0800	B-03				
15001-2542	B-10	314401-6681A	B-12	410B0800	B-11				
16028-2057	B-10	314401-6732A	B-12	410B1000	B-08				
16073-2056	B-10	314401-8164B	B-08	411B0500	B-09				
16115-2069	B-06	314405-3091B	B-11	411B0800	B-12				
16169-2099	B-09	314406-1455A	B-11	46075-2059	B-13				
171G0625	B-10	314412-5231A	B-09	461F0500	B-08				
171G0640	B-10	314413-1316A	B-11	49070-2085-9Z	B-11				
171G0816	B-11	314419-6174A	B-10	49080-2165	B-13				
186B0610	B-07	314501-3447A	B-13	49088-2320-YK	B-13				
186B0612	B-03	315B1000	B-08	49089-2066-9H	B-07				
186B0612	B-07	3155AB-6063A	B-10	49106-2095-9X	B-11				
186B0630	B-03	315500-2111A	B-05	49108-2086	B-03				
21118-2062	B-05	315500-3020A	B-04	49118-2056	B-05				
21130-2066	B-08	315500-3030A	B-04	49120-6003	B-03				
21171-2167	B-08	315500-3131A	B-04	51001-2063-9H	B-12				
21194-2114	B-08	315500-3132A	B-04	51048-2062	B-12				
214B0408	B-09	315501-1121A	B-03	551A0612	B-03				
214B0414	B-10	315501-1232A	B-03	554A0600	B-09				
214B0420	B-09	315501-1351A	B-11	56030-2179	C-03				
214B0430	B-10	315501-1442A	B-11	56038-2459	C-03				
233B0625	B-10	315501-1632A	B-07	59066-2096-9H	B-07				
234B0514	B-08	315501-2112A	B-05	59066-2288-9H	B-07				
235B0508	B-11	315501-2211A	B-05	59101-2076	B-13				
241B0510	B-07	315501-3010A	B-04	59106-2099	B-13				
26011-2080	B-08	315501-3111A	B-04	59156-2064-9Z	B-11				
311B0600	B-10	315501-3121A	B-04	670B2015	B-06				
311B0800	B-11	315501-3245A	B-04	702A071000	B-11				
311B0800	B-12	315501-3248A	B-04	92002-2269	B-09				
311509-6117-00	B-10	315501-3249A	B-04	92015-1193	B-09				
312801-6168A	B-10	315501-4124A	B-03	92015-2120	B-09				
314G1400	B-08	315501-4211A	B-03	92033-2157	B-04				
3144AA-1312A	B-11	315501-5211B	B-09	92037-2020	B-09				
3144AA-8465A	B-08	315501-5314D	B-09	92037-2165	B-08				
314401-1332A	B-11	315501-5337A	B-09	92038-2077	B-08				
314401-1341A	B-11	315501-5381A	B-09	92043-2123	B-05				
314401-2113A	B-05	315501-6102A	B-10	92043-2126	B-05				
314401-2116B	B-05	315501-6139B	B-10	92049-2199	B-03				
314401-3444A	B-13	315501-6160A	B-10	92059-2156	B-08				
314401-3445A	B-13	315501-6171A	B-10	92070-2051	B-08				
314401-3446A	B-13	315504-1181A	B-03	92071-2113	B-08				
314401-3449A	B-13	315504-6115A	B-10	92071-2126	B-09				
314401-3452A	B-13	315507-6144A	B-10	92081-2342	B-05				
314401-3482A	B-08	315510-1311B	B-11	92144-2244	B-09				
314401-5110A	B-09	315510-1313A	B-11	92144-2266	B-09				
314401-5121B	B-09	315510-1316B	B-11	92150-2203	B-03				
314401-5135A	B-09	315513-4120A	B-03	92150-2211	B-13				
314401-5383A	B-09	315513-4211A	B-03	92200-2029	B-09				
314401-5385A	B-09	315513-4231A	B-03						
314401-5388A	B-09	315515-5335A	B-09						
314401-6114A	B-10	315515-8511A	B-08						

This catalog covers:

FA210A- S51

C-03

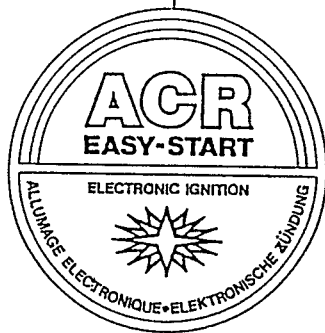
This grid covers:

LABEL

F0290-2805A

Ref. No.	Parts No.	Description	Quantity
56030	56030-2179	LABEL	1
56038	56038-2459	LABEL-BRAND	1

56030



56038

