

Parts Catalog

MODEL

FA210A-246X

PRODUCT CODE

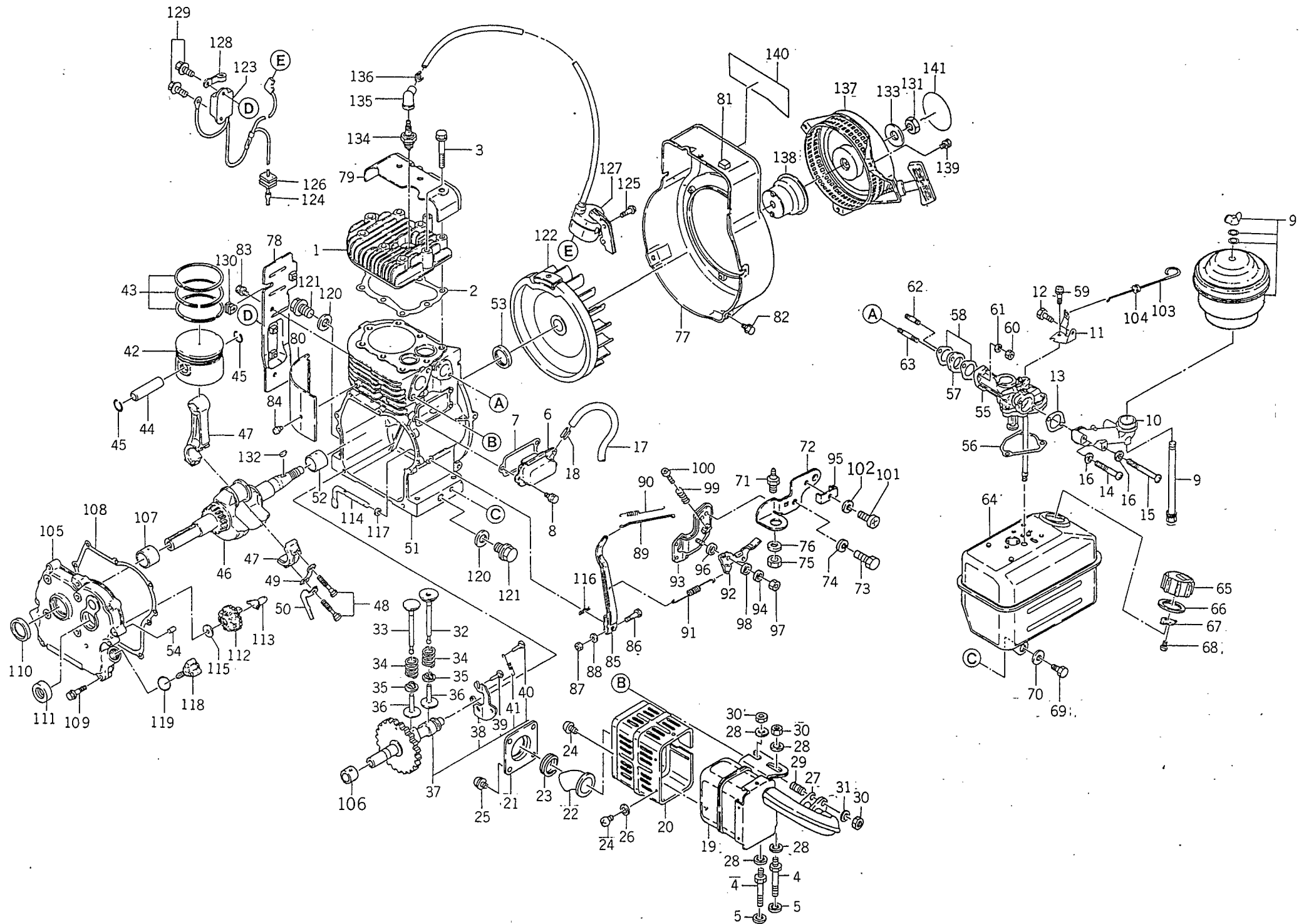
FA210A-AS58

OLIEBADSFILTER, STOR TANK, 2 AKSLET



© KAWASAKI HEAVY INDUSTRIES, LTD.
ENGINE DIVISION

861120 Printed in Japan



FA210A-246X

FA210A-AS58

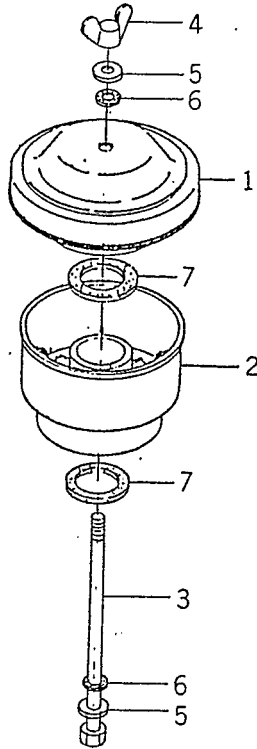
Ref.No.	Part No.	Part Name	Quantity					Remarks
			A					
1	315501-1111A	HEAD, cylinder	1					
2	315501-1121A	GASKET, head	1					
3	181G0855	BOLT (8x55)	6					
4	315504-1181A	BOLT	2					
5	410B0800	WASHER	2					
6	49108-2073	COVER, valve chamber	1					
7	315501-1232A	GASKET	1					
8	186B0612	BOLT (6x12)	3					
9	313652-1310-00	AIR CLEANER ASSY	1					Fig. A-1
10	16060-2125	PIPE, intake	1					
11	314419-1351A	STAY, air cleaner	1					
12	186B0612	BOLT (6x12)	1					
13	314401-1332A	GASKET	1					
14	112B0535	BOLT	1					
15	112B0560	BOLT	1					
16	316442-1381-00	WASHER	2					
17	702A071000	TUBE, rubber	1					ℓ=160mm
18	314401-1341A	PIPE	1					
19	315504-1400A	MUFFLER ASSY	1					
20	315510-1431A	•COVER, muffler	1					
21	314406-1447A	•PLATE	1					
22	314406-1449A	•PIPE, tail	1					
23	314406-1455A	•SPRING	1					
24	314405-3091B	•SCREW	9					
25	235B0508	•SCREW (5x8)	4					
26	410B0400	•WASHER	5					
27	315501-1442A	GASKET	1					
28	314401-6681A	WASHER	4					
29	171G0816	STUD	2					
30	311B0800A	NUT (8mm)	4					
31	410B0800	WASHER	2					
32	315500-2111A	VALVE, inlet	1					
33	315501-2112A	VALVE, exhaust	1					
34	314401-2113A	SPRING, valve	2					
35	314401-2116B	SEAT, spring	2					
36	315501-2211A	TAPPET	2					
37	49118-2056	CAM SHAFT COMP	1					
38	21118-2062	•DECOMPRESSOR	1					
39	92043-2126	•PIN	2					
40	92043-2123	•PIN	1					
41	92081-2342	•SPRING	1					
42	315501-3111A	PISTON	1					S.T.D

Ref.No.	Part No.	Part Name	Quantity					Remarks
			A					
42	315500-3131A	PISTON	AR					O/S 0.25mm
	315500-3132A	PISTON	AR					O/S 0.50mm
43	315501-3010A	PISTON RING SET	1					S.T.D
	315500-3020A	PISTON RING SET	AR					O/S 0.25mm
	315500-3030A	PISTON RING SET	AR					O/S 0.50mm
44	315501-3121A	PIN, piston	1					
45	315501-3122A	RING, snap	2					
46	315504-3211A	SHAFT, crank	1					
47	13251-6013	CONNECTING ROD ASSY	1					
48	315501-3245A	•BOLT, connecting rod	2					
49	315501-3248A	WASHER	1					
50	315501-3249A	ARM, splasher	1					
51	49120-6003	CRANK CASE ASSY	1					
52	315501-4211A	•BEARING, plain	1					
53	315801-4231A	SEAL, oil	1					
54	551A0612	PIN, dowel	2					
55	15001-2535	CARBURETOR ASSY	1					Fig. C-1
56	314401-6131B	GASKET	1					
57	314412-6181A	INSULATOR	1					
58	314401-6184A	GASKET	2					
59	233B0625	SCREW (6x25)	3					
60	311B0600	NUT (6mm)	2					
61	410B0600	WASHER	2					
62	171G0625	STUD	1					
63	171G0640	STUD	1					
64	51002-6046-YY	FUEL TANK ASSY	1					
65	315515-6640B	•TANK CAP ASSY	1					
66	314401-6643F	••GASKET	1					
67	314401-6644A	••SPRING	1					
68	314401-6732A	••SCREW	2					
69	112B0816	BOLT (8x16)	1					
70	314401-6681A	WASHER	1					
71	315515-8511A	SWITCH, stop	1					
72	315515-8514B	BRACKET, stop switch	1					
73	112B0508	BOLT (5x8)	1					
74	461F0500A	WASHER, spring	1					
75	315B1000	NUT (10mm)	1					
76	410B1000	WASHER	1					
77	315513-1611A	CASE, spiral	1					
78	59066-2288-YY	HOUSING, fan	1					
79	315513-1631A	COVER, cylinder head	1					
80	315501-1632A	COVER, cylinder	1					

Ref.No.	Part No.	Part Name	Quantity					Remarks
			A					
81	314496-1627A	PLATE, switch	1					
82	186B0610	BOLT (6x10)	5					
83	186B0612	BOLT (6x12)	2					
84	241B0510	SCREW (5x10)	1					
85	315501-5211B	GOVERNOR ARM ASSY	1					
86	92002-2269	BOLT (6x25)	1					
87	311B0600	NUT (6mm)	1					
88	411B0600	WASHER	1					
89	314412-5231A	LINK, governor	1					
90	313650-5232-00	SPRING, link	1					
91	315501-5314D	SPRING, governor	1					
92	315515-5311A	LEVER, control	1					
93	315515-5335A	BRACKET	1					
94	311702-3591-00	WASHER	1					
95	92037-2020	CLAMP	1					
96	314401-5383A	WASHER	1					
97	314401-5385A	NUT	1					
98	314401-5388A	SPRING	1					
99	314401-5321B	SPRING	1					
100	214B0420A	SCREW (4x20)	1					
101	315501-5381A	BOLT	1					
102	411B0500	WASHER	1					
103	315529-5513A	LINK, choke	1					
104	317196-5515-00	GROMMET	1					
105	315513-4120A	SIDE BASE	1					
106	315513-4211A	•BEARING, plain	1					
107	315501-4211A	•BEARING, plain	1					
108	315501-4124A	GASKET	1					
109	186B0630	BOLT (6x30)	7					
110	315801-4231A	SEAL, oil	1					
111	315513-4231A	SEAL, oil	1					
112	314401-5110A	GOVERNOR ASSY	1					
113	314401-5121B	SLEEVE, governor	1					
114	315501-5122C	TIP, governor	1					
115	314401-5135A	WASHER	1					
116	554A0600	PIN, snap	1					
117	410B0600	WASHER	1					
118	16115-2069	CAP, oil filler	2					
119	670B2015	O-RING	2					
120	11009-2432	GASKET	2					
121	130D1014	BOLT	2					
122	21194-2114	FLYWHEEL COMP	1					

Ref. No.	Part No.	Part Name	Quantity					Remarks
			A					
123	3144AA-8465A	IGNITER	1					
124	26011-2080	WIRE, lead	1					
125	131B0520	BOLT (5x20)	2					
126	314401-8164B	GROMMET	1					
127	21171-2112	COIL, ignition	1					
128	92037-2171	CLAMP	1					
129	234B0514A	SCREW (5x14)	2					
130	92071-2113	GROMMET	1					
131	314G1400	NUT (14mm)	1					
132	313650-2371-00	KEY	1					
133	314401-3482A	WASHER	1					
134	314401-8410A	PLUG, spark (NGK BM6A)	1					
135	317270-8418B	CAP, plug	1					
136	317270-8419A	SPRING	1					
137	49088-2284-YK	RECOIL STARTER ASSY	1					Fig. R-1
138	315501-3432A	PULLEY	1					
139	187B0610	BOLT (6x10)	3					
140	315529-0811A	LABEL, mark	1					★★
141	56030-2179	LABEL	1					★★

Fig. A-1 AIR CLEANER



Ref.No.	Part No.	Part Name	Quantity					Remarks
			A					
	313652-1310-00	AIR CLEANER ASSY	1					
A-1- 1	315489-1316A	•COVER, air cleaner	1					
A-1- 2	315489-1321A	•PAN, oil	1					
A-1- 3	313652-1317-00	•BOLT, center	1					
A-1- 4	315489-1325A	•NUT, wing	1					
A-1- 5	315489-1322A	•WASHER	2					
A-1- 6	315489-1323A	•GASKET	2					
A-1- 7	315489-1324A	•GASKET	2					

Fig. C-1 CARBURETOR

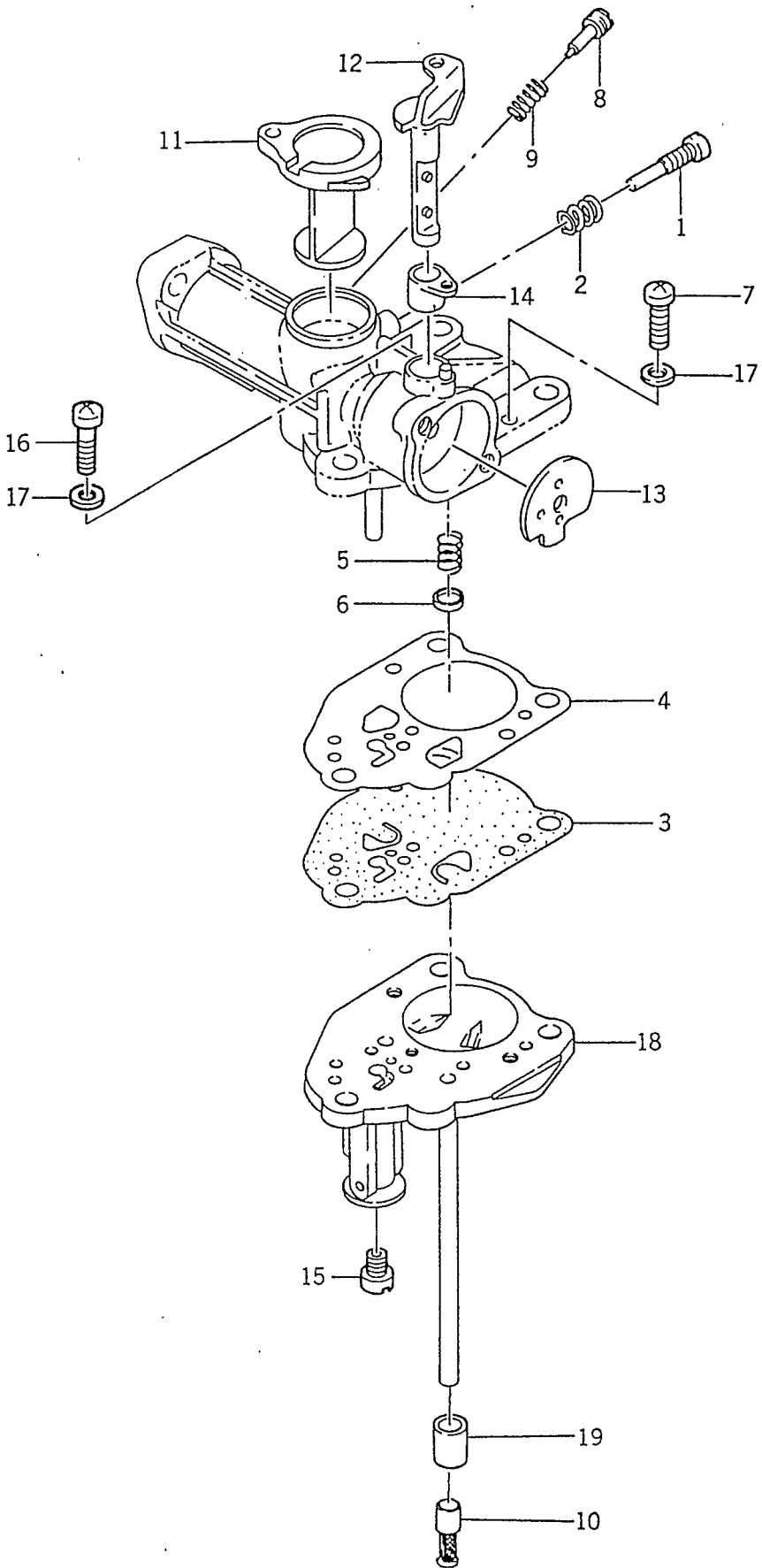
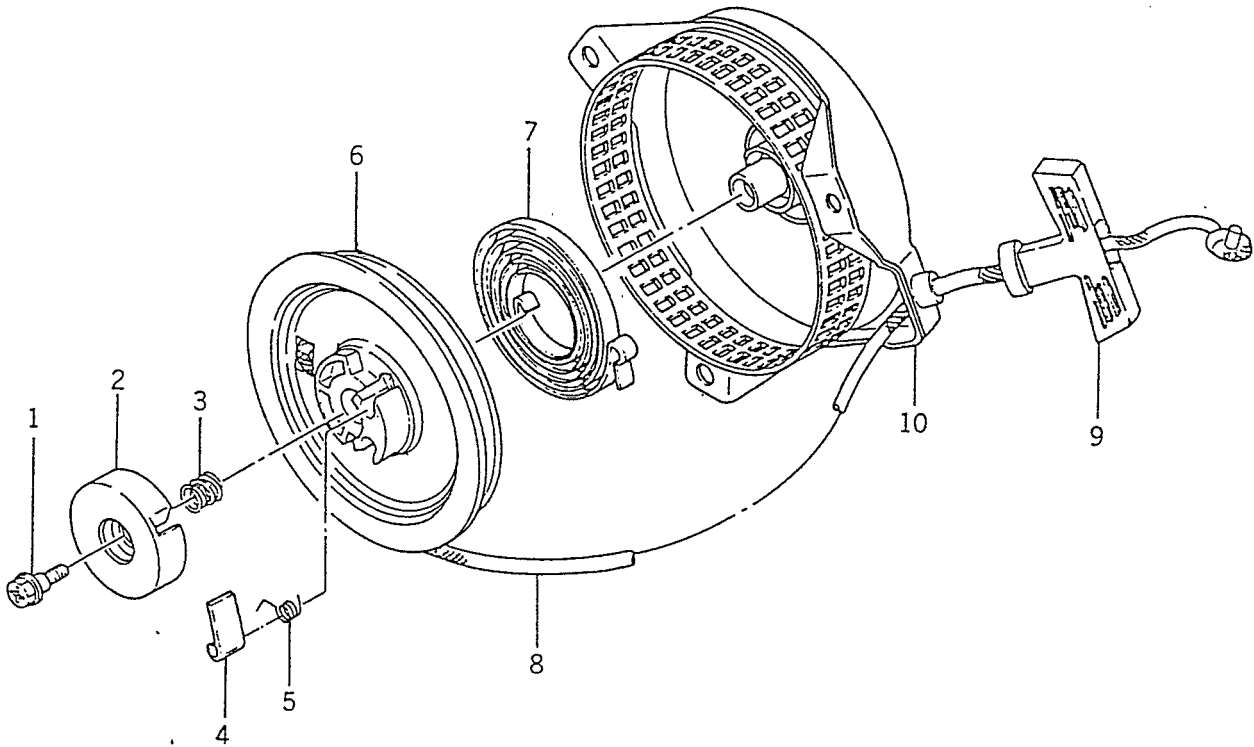


Fig. C-1 CARBURETOR

Ref.No.	Part No.	Part Name	Quantity					Remarks
			A					
	15001-2535	CARBURETOR ASSY	1					
C-1- 1	314401-6114A	•SCREW, slow stop	1					
C-1- 2	314401-6116A	•SPRING	1					
C-1- 3	315501-6160A	•DIAPHRAGM	1					
C-1- 4	315501-6171A	•GASKET	1					
C-1- 5	314401-6164A	•SPRING	1					
C-1- 6	314401-6167A	•CAP, spring	1					
C-1- 7	214B0414	•SCREW (4x14)	2					
C-1- 8	315504-6115A	•SCREW, adjust	1					
C-1- 9	311509-6117-00	•SPRING	1					
C-1-10	312801-6168A	•STRAINER	1					
C-1-11	315501-6139B	•SHAFT, throttle	1					
C-1-12	314401-6142A	•SHAFT, choke	1					
C-1-13	315501-6102A	•VALVE, choke	1					
C-1-14	314401-6144A	•COLLAR	1					
C-1-15	3155AB-6066A	•JET, main (#92)	1					
C-1-16	214B0428	•SCREW (4x28)	1					
C-1-17	314419-6174A	•GASKET	3					
C-1-18	315501-6170B	•LOWER BODY ASSY	1					
C-1-19	315507-6144A	•COLLAR	1					

Fig. R-1 RECOIL STARTER



Ref.No.	Part No.	Part Name	Quantity					Remarks
			A					
	49088-2284-YK	RECOIL STARTER ASSY	1					
R-1- 1	314501-3447A	•BOLT	1					
R-1- 2	314401-3449A	•RETAINER	1					
R-1- 3	314401-3446A	•SPRING	1					
R-1- 4	314401-3445A	•PAWL, recoil	1					
R-1- 5	314401-3444A	•SPRING, return	1					
R-1- 6	315501-3441A	•REEL, recoil	1					
R-1- 7	315501-3452A	•SPRING, recoil	1					
R-1- 8	315501-3453A	•ROPE (4.5x1520)	1					
R-1- 9	314401-3460A	•HANDLE, recoil starter	1					
R-1-10	315502-3437A	•CASE, recoil	1					