

**KAWASAKI**  
**AIRCOOLED ENGINE**

**PARTS LIST**

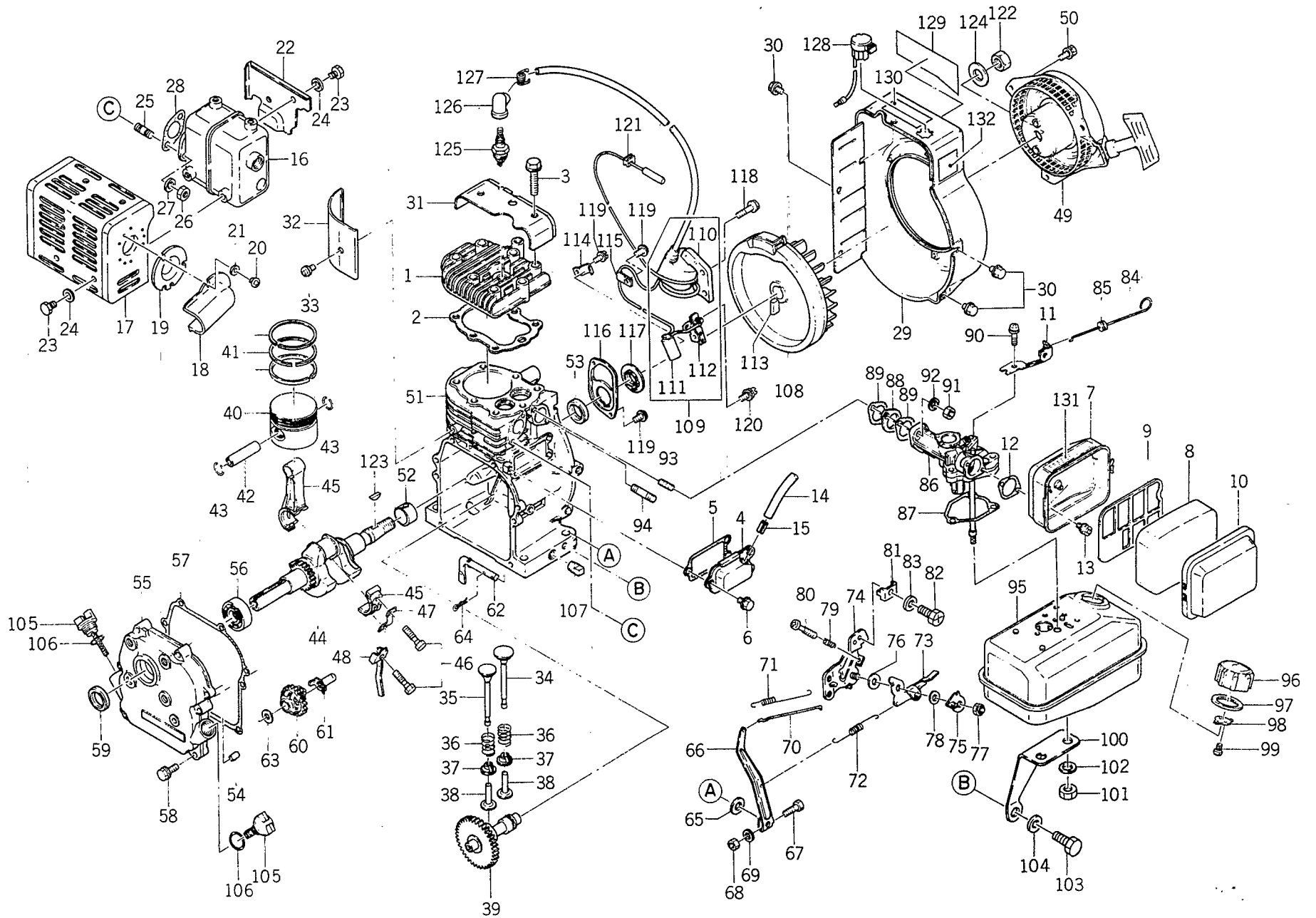
FOR PETERSEN

FA. 130D



**KAWASAKI**  
**HEAVY INDUSTRIES, LTD.**

ENGINE AND MOTORCYCLE GROUP

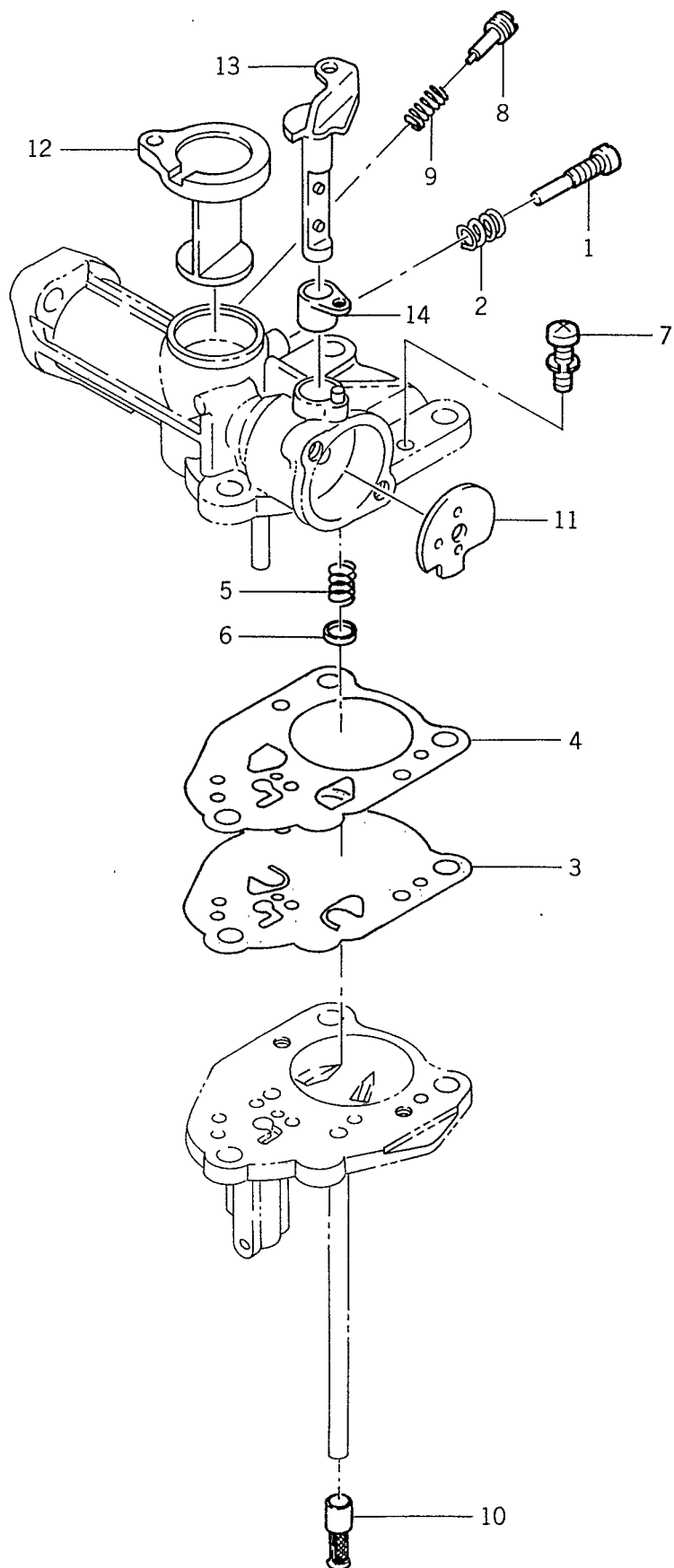


Ref. No.	Part No.	Part Name	Quantity	Remarks
1	314401-1111A	HEAD, cylinder	1	
2	314401-1121B	GASKET, head	1	
3	151G0850	BOLT (8x50)	7	
4	314401-1231A	COVER, inspection	1	
5	314401-1232A	GASKET	1	
6	186B0612	BOLT (6x12)	3	
7	315501-1311C	CASE, air cleaner	1	
8	315501-1312A	ELEMENT	1	
9	315501-1313A	PLATE, air cleaner	1	
10	315501-1321B	COVER, air cleaner	1	
11	315501-1351A	STAY, air cleaner	1	
12	314401-1332A	GASKET	1	
13	314413-1316A	BOLT	3	
14	702A071000	TUBE, rubber	1	ø=160mm
15	314401-1341A	PIPE	1	
16	314405-1410E	MUFFLER ASS'Y	1	
17	314424-1431A	COVER, muffler	1	
18	314420-1433A	COVER, exhaust	1	
19	314420-1425A	CAP	1	
20	314405-3092A	SCREW, tapping	3	
21	311501-1683-00	WASHER	3	
22	314424-1432A	COVER, muffler	1	
23	110R0608	BOLT (6x8)	6	
24	411B0600	WASHER	6	
25	171G0616	STUD	2	
26	311B0600	NUT (6mm)	2	
27	410B0600	WASHER	2	
28	314496-1442B	GASKET	1	
29	314424-1611A	CASE, spiral	1	
30	186B0610	BOLT (6x10)	5	
31	314424-1631A	COVER, cylinder head	1	
32	314401-1632A	COVER, cylinder	1	
33	241B0510	SCREW (5x10)	1	
34	314400-2111A	VALVE, inlet	1	
35	314401-2112A	VALVE, exhaust	1	
36	314401-2113A	SPRING	2	
37	314401-2116B	RETAINER	2	
38	314401-2211A	TAPPET	2	
39	314401-2311C	GEAR, cam	1	
40	314401-3111A	PISTON	1	
41	314401-3010A	PISTON RING SET	1	
42	314401-3121A	PIN, piston	1	
43	314401-3122A	RING, snap	2	
44	314404-3211B	SHAFT, crank	1	
45	314401-3240A	CONNECTING ROD ASS'Y	1	
46	314401-3245A	BOLT, connecting rod	2	
47	314401-3248A	WASHER, lock	1	

Ref. No.	Part No.	Part Name	Quantity	Remarks
48	314401-3249C	ARM, splasher	1	
49	314402-3430A	RECOIL STARTER ASS'Y	1	See Fig. R-1
50	187B0610	BOLT (6x10)	3	
51	314401-4110A	CRANK CASE ASS'Y	1	
52	314401-4211A	•BEARING, plain	1	
53	314401-4231B	SEAL, oil	1	
54	551A0612	PIN, dowel	2	
55	314404-4120A	SIDE BASE ASS'Y	1	
56	601A6204	BEARING, ball (6204)	1	
57	314401-4124A	GASKET	1	
58	186B0628	BOLT (6x28)	6	
59	314404-4231A	SEAL, oil	1	
60	314401-5110A	GOVERNOR ASS'Y	1	
61	314401-5121A	SLEEVE, governor	1	
62	314401-5122B	ARM, governor shaft	1	
63	314401-5135A	WASHER	1	
64	554A0600	PIN, snap	1	
65	410B0600	WASHER	1	
66	314401-5210C	ARM, governor	1	
67	112B0625	•BOLT (6x25)	1	
68	311B0600	•NUT (6mm)	1	
69	411B0600	•WASHER	1	
70	314412-5231A	LINK, governor	1	
71	313650-5232-00	SPRING, link	1	
72	314401-5314B	SPRING	1	
73	314401-5311D	LEVER, control	1	
74	314424-5335A	BRACKET	1	
75	314401-5337B	BRACKET	1	
76	314401-5383A	WASHER	1	
77	314401-5385A	NUT	1	
78	314401-5388A	SPRING	1	
79	314401-5321B	SPRING	2	
80	214B0420A	SCREW (4x20)	2	
81	315501-5338A	CLAMP	1	
82	315501-5381A	BOLT	1	
83	411B0500	WASHER	1	
84	314405-5513A	LINK, choke	1	
85	317196-5515-00	GROMMET	1	
86	314424-6100A	CARBURETOR ASS'Y	1	See Fig. C-1
87	314401-6131B	GASKET	1	
88	314412-6181A	INSULATOR	1	
89	314401-6184A	GASKET	2	
90	233B0625	SCREW (6x25)	3	
91	312B0600	NUT (6mm)	2	
92	411B0600	WASHER	2	
93	171G0625	STUD	1	
94	171G0640	STUD	1	

Ref. No.	Part No.	Part Name	Quantity	Remarks
95	315513-6610A	FUEL TANK ASS'Y	1	
96	314401-6640B	•CAP, tank	1	
97	314401-6643E	••GASKET, tank cap	1	
98	314401-6644A	••SPRING	1	
99	314401-6732A	••SCREW	2	
100	314424-6711A	BRACKET, tank	1	
101	311B0800A	NUT (8mm)	2	
102	411B0800	WASHER	2	
103	112B0816	BOLT (8x16)	1	
104	314401-6681A	WASHER	1	
105	314401-7411A	GAUGE, oil	2	
106	670B2015	O-RING	2	
107	314401-7441B	PLUG, drain	2	
108	314401-8111A	FLY WHEEL	1	
109	314401-8103C	IGNITION COIL ASS'Y	1	
110	314401-8123C	•COIL, ignition	1	
111	314401-8436A	•CONDENSER	1	
112	315501-8440A	•BREAKER, contact	1	
113	314401-8142A	BRUSH	1	
114	314401-8129A	CLAMP	1	
115	314401-8161A	CLAMP	1	
116	314401-8172B	COVER, breaker	1	
117	314401-8414B	RING	1	
118	131B0520	BOLT (5x20)	2	
119	241B0408	SCREW (4x8)	4	
120	242B0410A	SCREW (4x10)	1	
121	314401-8164A	GROMMET	1	
122	314G1400	NUT (14mm)	1	
123	313650-2371-00	KEY	1	
124	314401-3482A	WASHER	1	
125	314401-8410A	PLUG, spark (NGK BM6A)	1	
126	317270-8418A	CAP, plug	1	
127	317270-8419A	SPRING	1	
128	314401-8511B	SWITCH, stop	1	
129	314401-0811A	LABEL	1	★★
130	315514-0817A	LABEL	1	★★
131	315514-0827A	LABEL	1	★★
132	315514-0831A	LABEL	1	★★

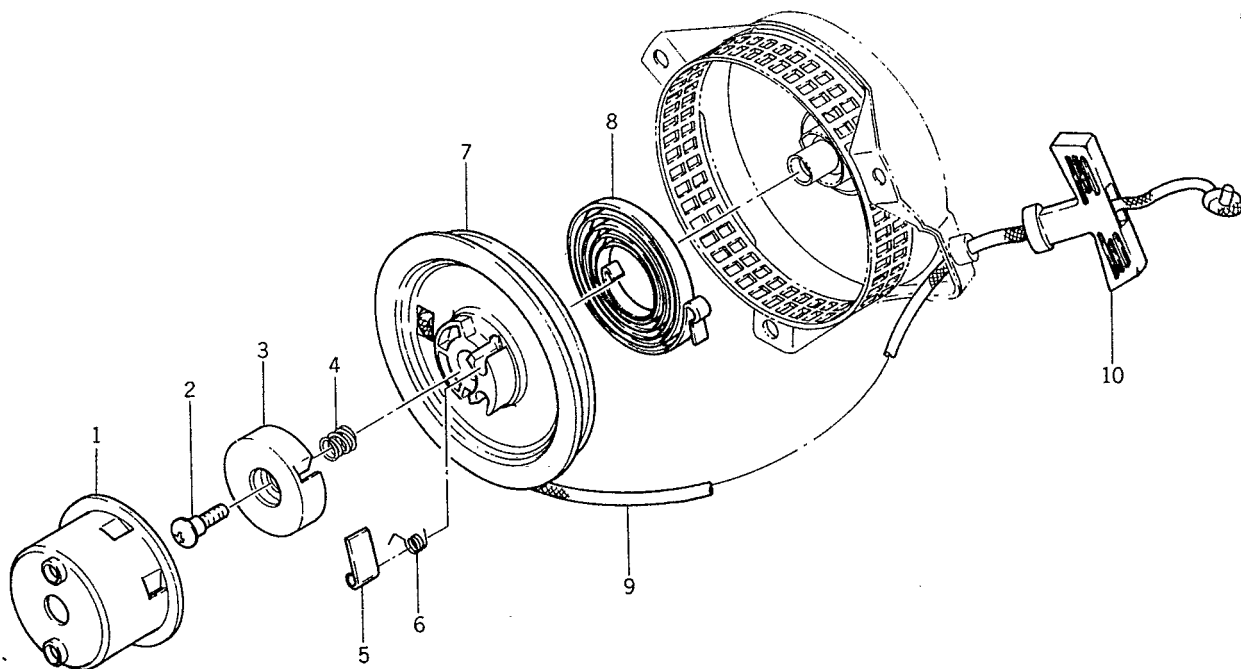
Fig. C-1 CARBURETOR



## C-1 CARBURETOR

Ref. No.	Part No.	Part Name	Quantity	Remarks
	314424-6100A	CARBURETOR ASS'Y	1	
C-1- 1	314401-6114A	•SCREW, slow stop	1	
C-1- 2	314401-6116A	•SPRING	1	
C-1- 3	314401-6160A	•DIAPHRAGM	1	
C-1- 4	314401-6171B	•GASKET	1	
C-1- 5	314401-6164A	•SPRING	1	
C-1- 6	314401-6167A	•CAP, spring	1	
C-1- 7	314401-6143A	•SCREW	2	
C-1- 8	314401-6115A	•SCREW, adjust	1	
C-1- 9	311509-6117-00	•SPRING	1	
C-1-10	312801-6168A	•STRAINER	1	
C-1-11	314401-6102A	•VALVE, choke	1	
C-1-12	314401-6139A	•SHAFT, throttle	1	
C-1-13	314401-6142A	•SHAFT, choke	1	
C-1-14	314401-6144A	•COLLAR	1	

Fig. R-1 RECOIL STARTER



R-1 RECOIL STARTER

Ref. No.	Part No.	Part Name	Quantity	Remarks
	314402-3430A	RECOIL STARTER ASS'Y	1	
R-1- 1	314401-3432A	•PULLEY	1	
R-1- 2	314401-3447A	•SCREW	1	
R-1- 3	314401-3449A	•RETAINER	1	
R-1- 4	314401-3446A	•SPRING	1	
R-1- 5	314401-3445A	•PAWL, recoil	1	
R-1- 6	314401-3444A	•SPRING, return	1	
R-1- 7	314401-3441A	•REEL, recoil	1	
R-1- 8	314401-3452A	•SPRING, recoil	1	
R-1- 9	314412-3453A	•ROPE (4x1320)	1	
R-1-10	314401-3460A	•HANDLE, recoil starter	1	