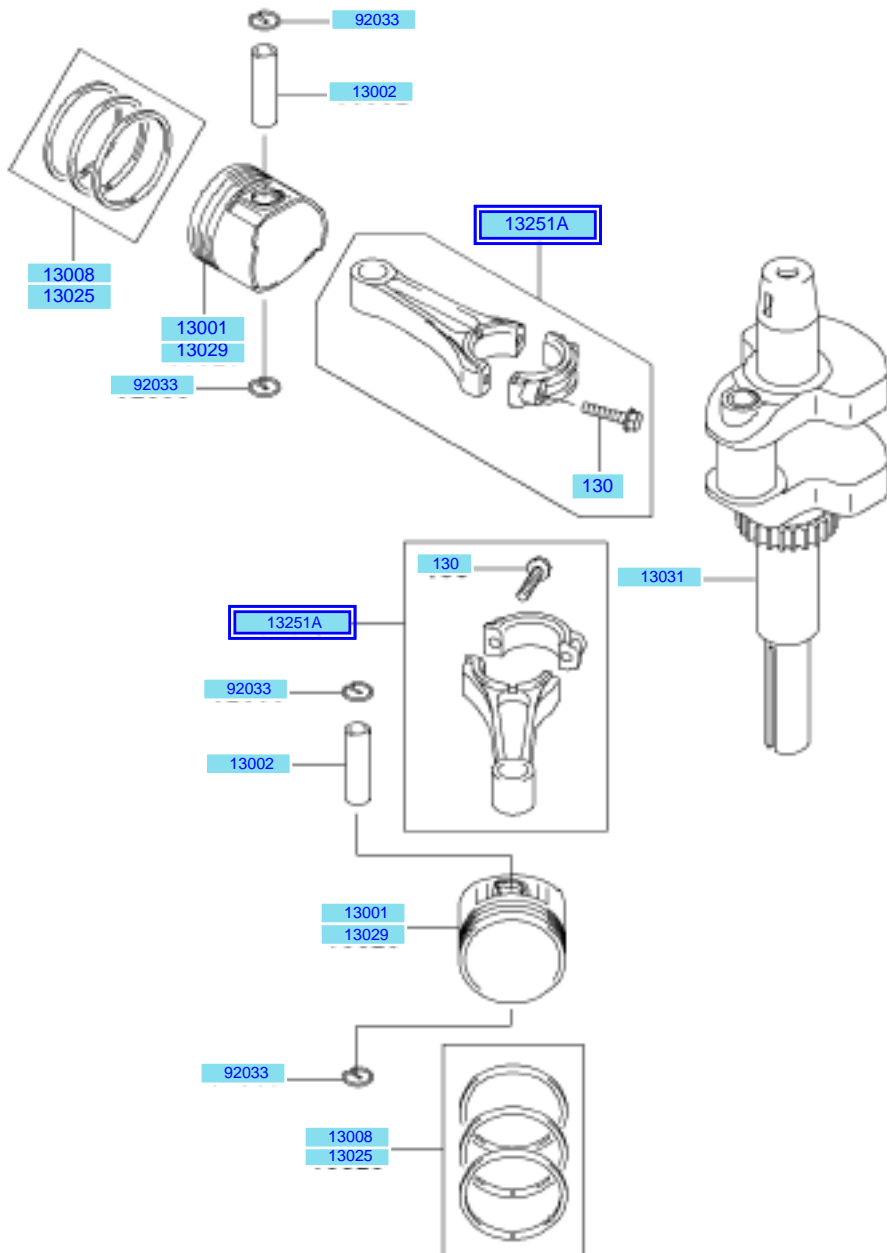
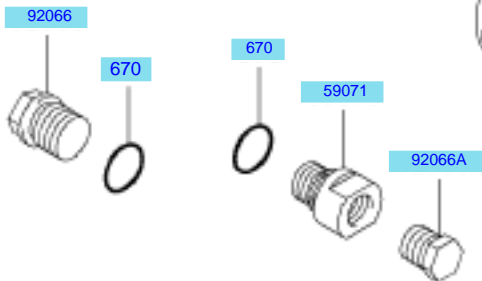
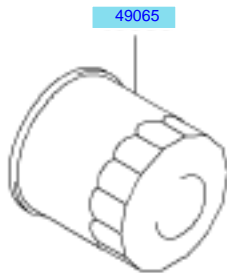
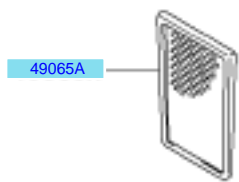
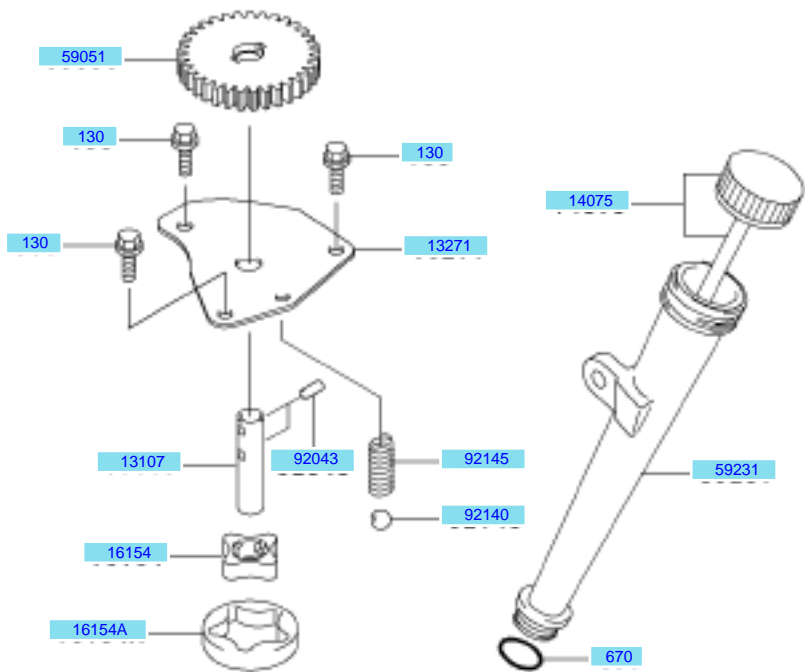


Ref.No	Part.No	+	Designation	Qty.
130	130B0612		BOLT-FLANGED	4
130A	130B0640		BOLT-FLANGED	4
130B	130T0850		BOLT-FLANGED	17
130C	130T0875		BOLT-FLANGED	2
172	172G0818		BOLT-STUD	4
11004	11004-7005		GASKET-HEAD	*
11004A	11004-7015		GASKET-HEAD	2
11008	11008-6042		HEAD-COMP-CYLINDER	*
11008A	11008-6043		HEAD-COMP-CYLINDER,#1	1
11008B	11008-7009		HEAD-COMP-CYLINDER	*
11008C	11008-7020		HEAD-COMP-CYLINDER,#2	1
11022	11022-7003		CASE-ROCKER	2
11060	11060-7001		GASKET,ROCKER CASE	2
11060A	11060-7008		GASKET,CRANKCASE COVER	1
11061	11061-7001		GASKET,BREATHER	1
13271	13271-7016		PLATE	1
14091	14091-7006		COVER	1
49015	49015-6226		COVER-CRANKCASE	*
49015A	49015-6253		COVER-CRANKCASE	1
49109	49109-7002		ELEMENT-BREATHER	1
49120	49120-7021		CRANKCASE-COMP	1
59071	59071-2079		JOINT	1
92033	92033-7003		RING-SNAP	2
92043	92043-7001		PIN	6
92049	92049-7001		SEAL-OIL,RVC2 6X11X10.2	4
92049A	92049-7002		SEAL-OIL,35-48-8 TC	*
92049B	92049-7004		SEAL-OIL,35-62-8 TC	*
92049C	92049-7005		SEAL-OIL,SO 8X14X5 HS	1
92049D	92049-7009		SEAL-OIL,6X11X10.4	*
92049E	92049-7010		SEAL-OIL,SD 35X48X8 R HS	1
92049F	92049-7011		SEAL-OIL,SD 35X62X8 L HS	1

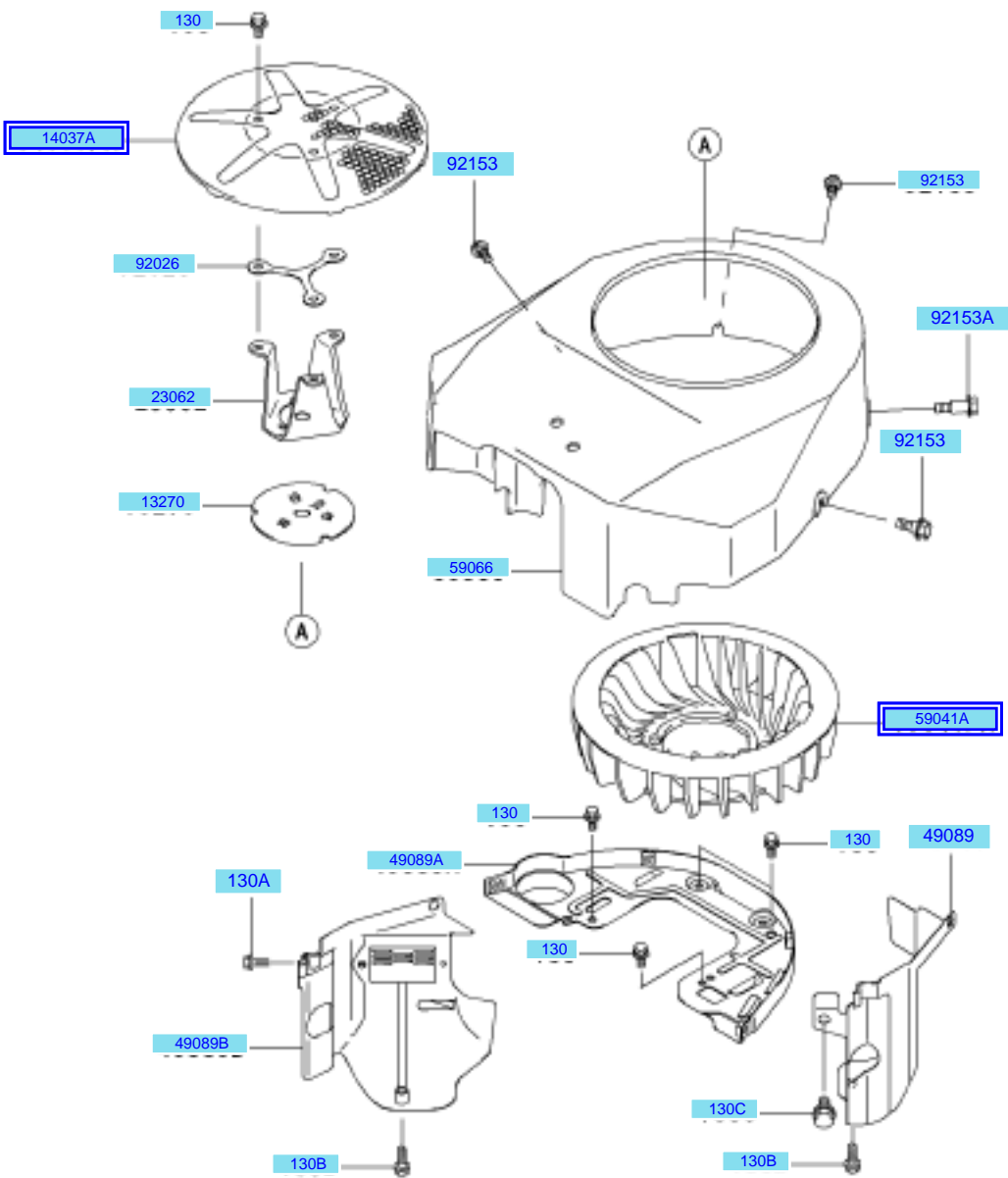


Ref.No	Part.No	+	Designation	Qty.
130	130G0630		BOLT-FLANGED	4
13001	13001-7008		PISTON-ENGINE	2
13002	13002-7001		PIN-PISTON	2
13008	13008-6055		RING-SET-PISTON	2
13025	13025-7001		RING-SET-PISTON L,0.50	AR
13029	13029-7004		PISTON-ENGINE L,0.50	AR
13031	13031-7001		CRANKSHAFT-COMP	1
13251	13251-7003		ROD-ASSY-CONNECTING,U/S=0.50	AR
13251A	13251-7004		ROD-ASSY-CONNECTING	2
92033	92033-7005		RING-SNAP	4

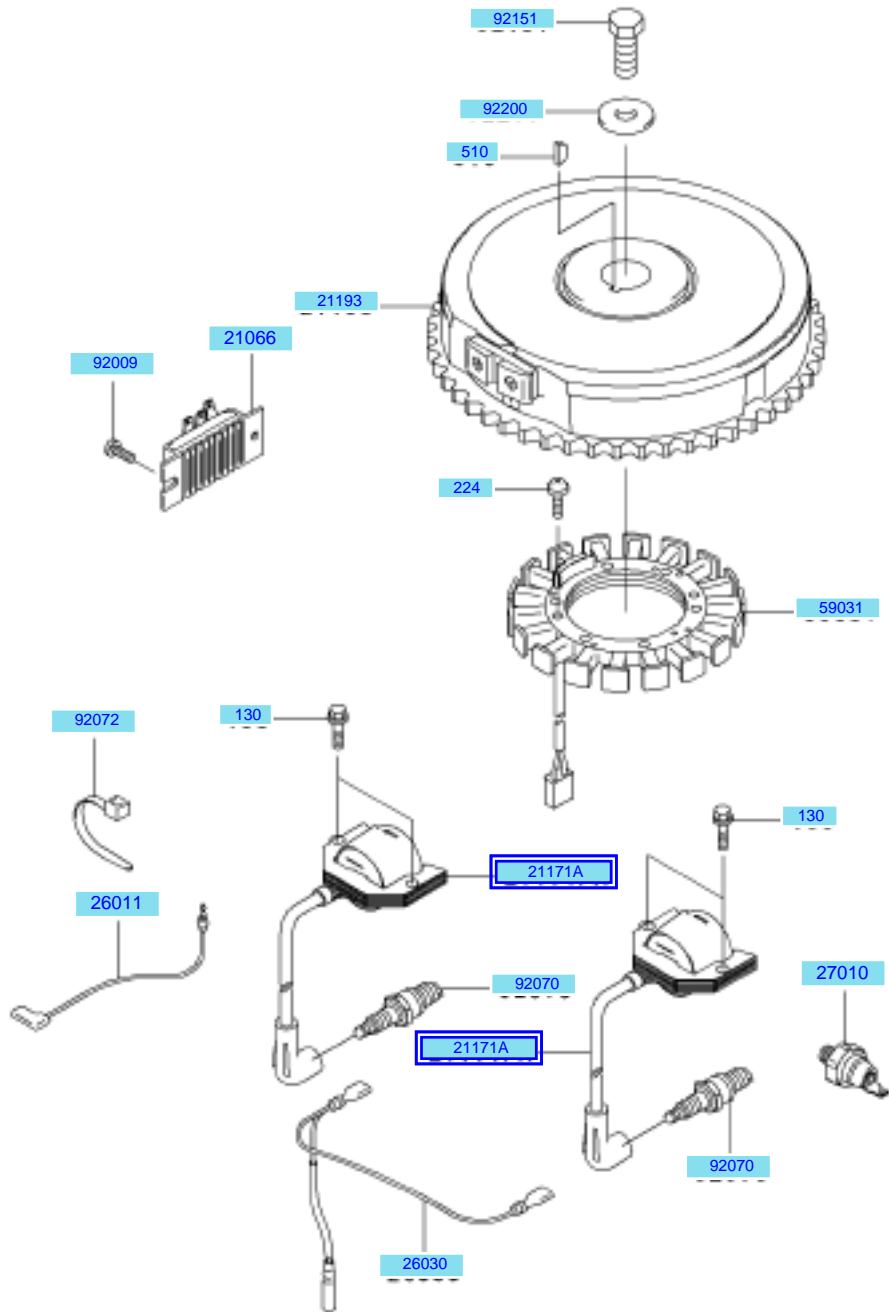
Ref.No	Part.No	+	Designation	Qty.
12004	12004-7003		VALVE-INTAKE	2
12005	12005-7003		VALVE-EXHAUST	2
12009	12009-7001		RETAINER-VALVE SPRING	4
12011	12011-2056		COLLET	8
12016	12016-7001		ARM-ROCKER	4
12032	12032-7001		TAPPET	4
13070	13070-7001		GUIDE	2
13070A	13070-7004		GUIDE	1
13116	13116-2057		ROD-PUSH	4
13271	13271-7007		PLATE	1
13271A	13271-7021		PLATE,GOVERNOR	1
42036	42036-7001		SLEEVE	*
42036A	42036-7009		SLEEVE	1
49078	49078-7001		SPRING-ENGINE VALVE	4
49118	49118-7002		CAMSHAFT-COMP	1
92009	92009-2341		SCREW	4
92015	92015-2253		NUT	4
92033	92033-7001		RING-SNAP	2
92140	92140-7002		BALL	6
92145	92145-7001		SPRING	1
92151	92151-7019		BOLT	*
92153	92153-7019		BOLT	4
92200	92200-7001		WASHER	1



Ref.No	Part.No	+	Designation	Qty.
130	130B0612		BOLT-FLANGED	3
670	670D2016		O RING,16MM	3
13107	13107-7009		SHAFT	1
13271	13271-7017		PLATE	1
14075	14075-7009		CAP-ASSY	1
16154	16154-2053		ROTOR-PUMP,IN	1
16154A	16154-2054		ROTOR-PUMP,OUT	1
49065	49065-2078		FILTER-OIL	1
49065A	49065-7004		FILTER-OIL	1
59051	59051-7011		GEAR-SPUR	1
59071	59071-7004		JOINT	1
59231	59231-7005		FILLER	1
92043	92043-7003		PIN	2
92066	92066-7003		PLUG	1
92066A	92066-7006		PLUG	1
92140	92140-7003		BALL	1
92145	92145-7002		SPRING	1



Ref.No	Part.No	+	Designation	Qty.
130	130B0612		BOLT-FLANGED	7
130A	130B0616		BOLT-FLANGED	2
130B	130B0625		BOLT-FLANGED	2
130C	130B0816		BOLT-FLANGED	1
13270	13270-7007		PLATE	1
14037	14037-7010-9H		SCREEN	*
14037A	14037-7020-9H		SCREEN	1
23062	23062-7010		BRACKET-COMP	1
49089	49089-7002		SHROUD-ENGINE	1
49089A	49089-7032		SHROUD-ENGINE	1
49089B	49089-7034		SHROUD-ENGINE	1
59041	59041-7001		FAN	*
59041A	59041-7010		FAN	1
59066	59066-7011		HOUSING-FAN	1
92026	92026-7007		SPACER	AR
92153	92153-7007		BOLT	3
92153A	92153-7008		BOLT	1



Ref.No	Part.No	+	Designation	Qty.
130	130B0620		BOLT-FLANGED	4
224	224B0520		SCREW-PAN-WP-CROS	4
510	510A5100		KEY-WOODRUFF	1
21066	21066-7011		REGULATOR-VOLTAGE	1
21171	21171-7007		COIL-ASSY-IGNITION	*
21171A	21171-7013		COIL-ASSY-IGNITION	2
21193	21193-7007		FLYWHEEL-ASSY	1
26011	26011-7001		WIRE-LEAD	1
26030	26030-7001		HARNESS	1
27010	27010-7002		SWITCH	1
59031	59031-7001		COIL-CHARGING	1
92009	92009-2308		SCREW	1
92070	92070-7003		PLUG-SPARK,RCJ8Y,SOLID	2
92072	92072-7003		BAND	2
92151	92151-2097		BOLT,12X30	1
92200	92200-7002		WASHER	1

49113

11051

92145A

16169

130

92170

92145B

92150

92009

214

16171

13271

92145

39129

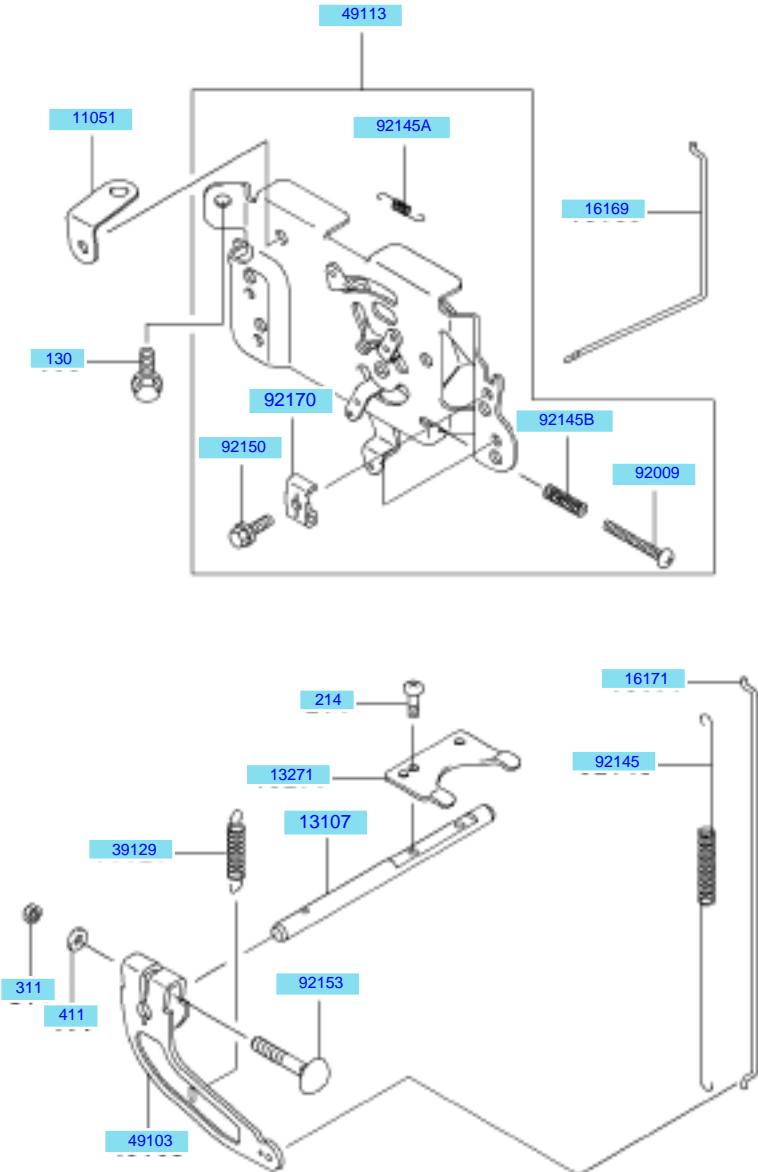
13107

311

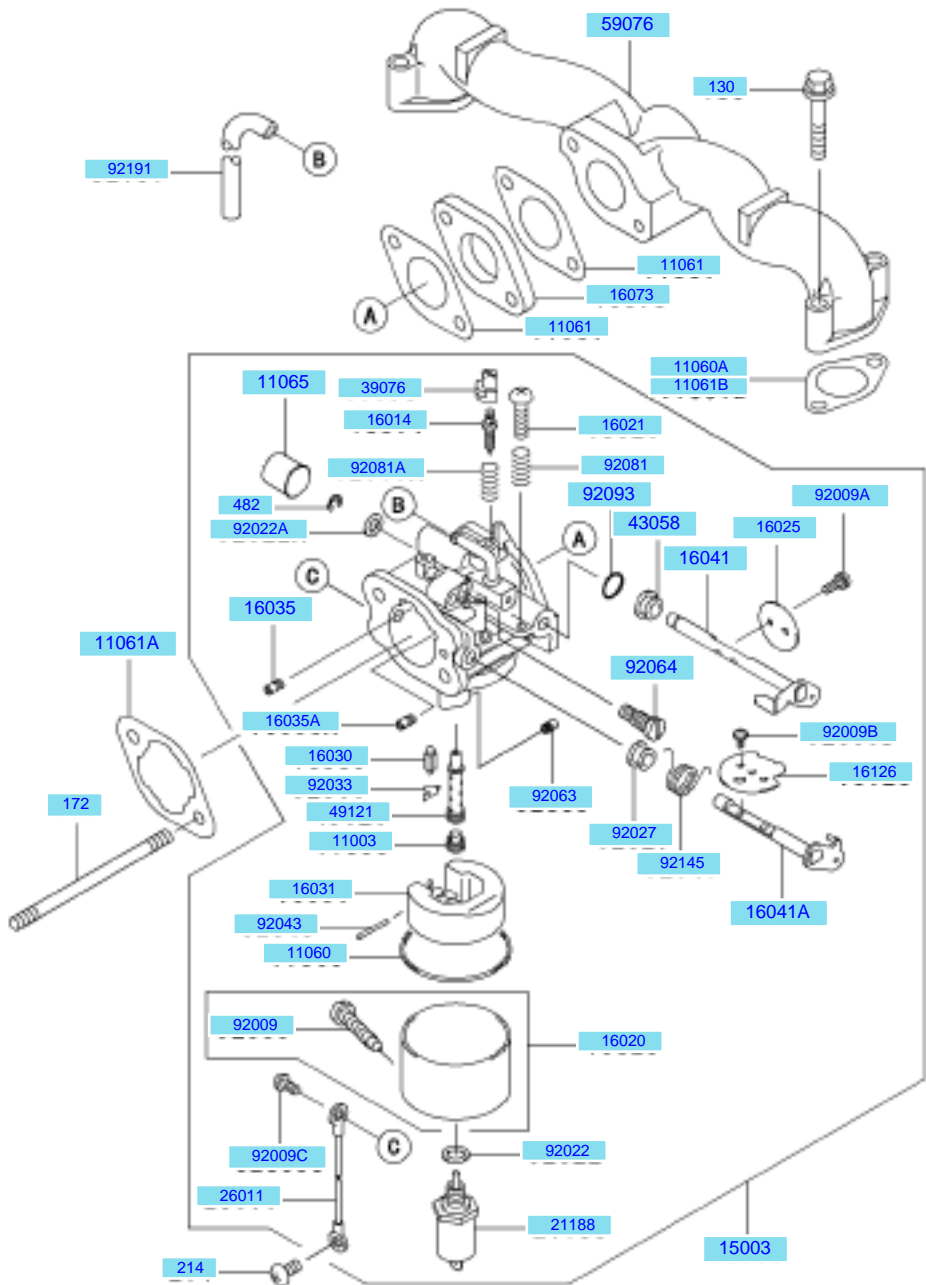
411

92153

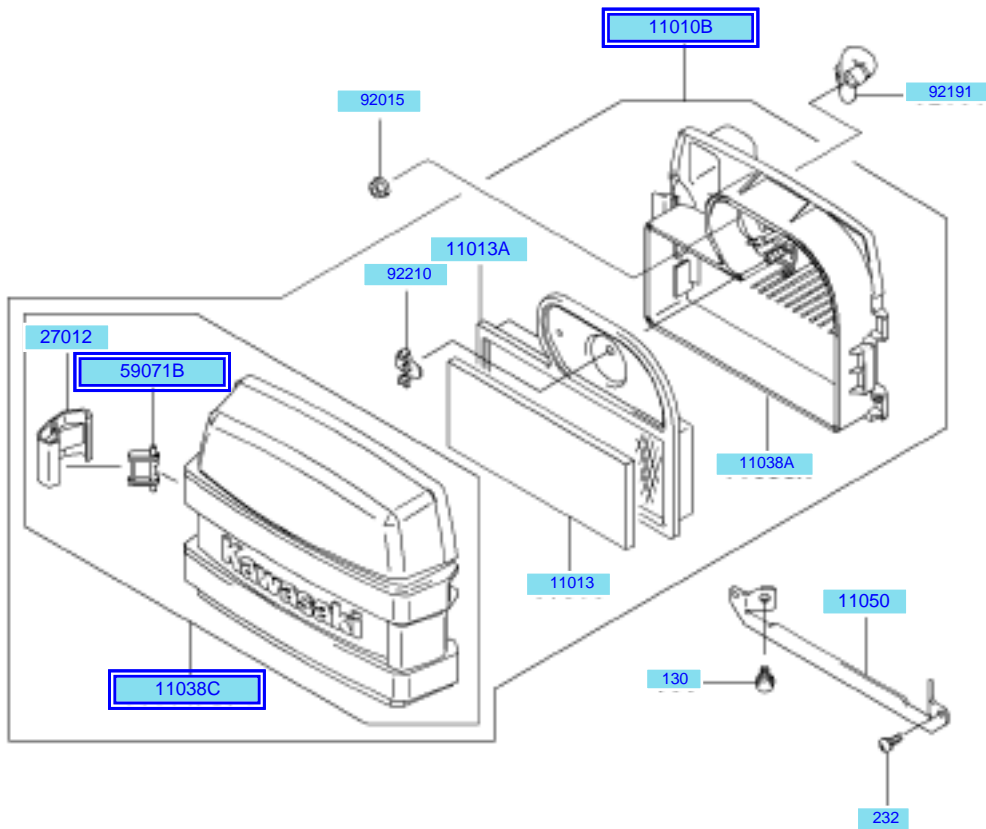
49103



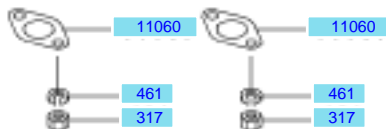
Ref.No	Part.No	+	Designation	Qty.
130	130B0612		BOLT-FLANGED	2
214	214B0408		SCREW-PAN+-	2
311	311B0600		NUT-HEX	1
411	411B0600		WASHER-PLAIN	1
11051	11051-7008		BRACKET	1
13107	13107-7010		SHAFT	1
13271	13271-7018		PLATE	1
16169	16169-7010		LINK-CHOKE	1
16171	16171-7001		LINK	1
39129	39129-7003		SPRING-GOVERNOR	1
49103	49103-7004		ARM-GOVERNOR	1
49113	49113-7011		PANEL-COMP-CONTROL	1
92009	92009-7007		SCREW,4X35	1
92145	92145-7003		SPRING	1
92145A	92145-7004		SPRING	1
92145B	92145-7005		SPRING	1
92150	92150-2182		BOLT,5X18	2
92153	92153-7005		BOLT,6X35	1
92170	92170-7001		CLAMP	2



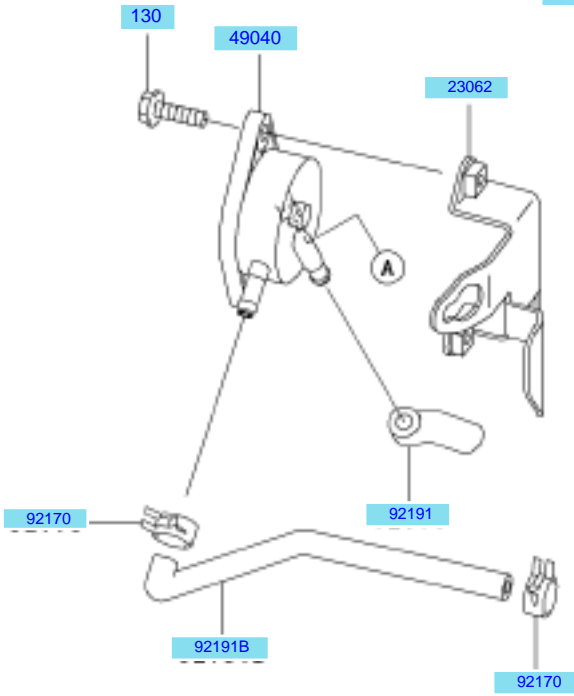
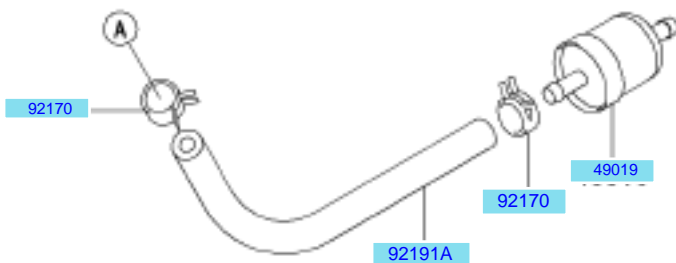
Ref.No	Part.No	+	Designation	Qty.
11003	11003-2105		SEAT-VALVE	1
11060	11060-2406		GASKET,CHAMBER	1
11060A	11060-7005		GASKET,MANIFOLD	*
11061	11061-7004		GASKET,INSULATOR	2
11061A	11061-7018		GASKET,AIR CLEANER	1
11061B	11061-7019		GASKET	2
11065	11065-2061		CAP	1
15003	15003-7037		CARBURETOR-ASSY	1
16014	16014-2080		SCREW-PILOT AIR	1
16020	16020-2141		CHAMBER-FLOAT	1
16021	16021-2060		SCREW-THROTTLE STOP	1
16025	16025-2195		VALVE-THROTTLE,#135	1
16030	16030-2067		VALVE-FLOAT	1
16031	16031-2066		FLOAT	1
16035	16035-2077		JET-AIR,#0.8	1
16035A	16035-2081		JET-AIR,#2.0	1
16041	16041-2253		SHAFT-CARBURETOR,THROTTLE	1
16041A	16041-7006		SHAFT-CARBURETOR	1
16073	16073-7007		INSULATOR	1
16126	16126-7008		VALVE	1
21188	21188-2011		SOLENOID	1
26011	26011-2281		WIRE-LEAD	1
39076	39076-2053		LIMITER	1
43058	43058-3716		RING	1
49121	49121-2231		NOZZLE-MAIN,#112B	1
59076	59076-7001		MANIFOLD-INTAKE	1
92009	92009-2015		SCREW	1
92009A	92009-2024		SCREW	2
92009B	92009-2081		SCREW	2
92009C	92009-2400		SCREW	1
92022	92022-2231		WASHER	1
92022A	92022-2239		WASHER	1
92027	92027-2025		COLLAR	1
92033	92033-2067		RING-SNAP	1
92043	92043-2226		PIN	1
92063	92063-2380		JET-MAIN,#106.3	1
92064	92064-2127		JET-PILOT,#42.5	1
92081	92081-2009		SPRING	1
92081A	92081-2256		SPRING	1
92093	92093-2002		SEAL	1
130	130B0635		BOLT-FLANGED	4
172	172G0685		BOLT-STUD	2
214	214B0510		SCREW-PAN+-	1
482	482L4000		CIRCLIP-TYPE-E	1
92145	92145-2061		SPRING	1
92191	92191-7016		TUBE,4.76X7.94X225	1



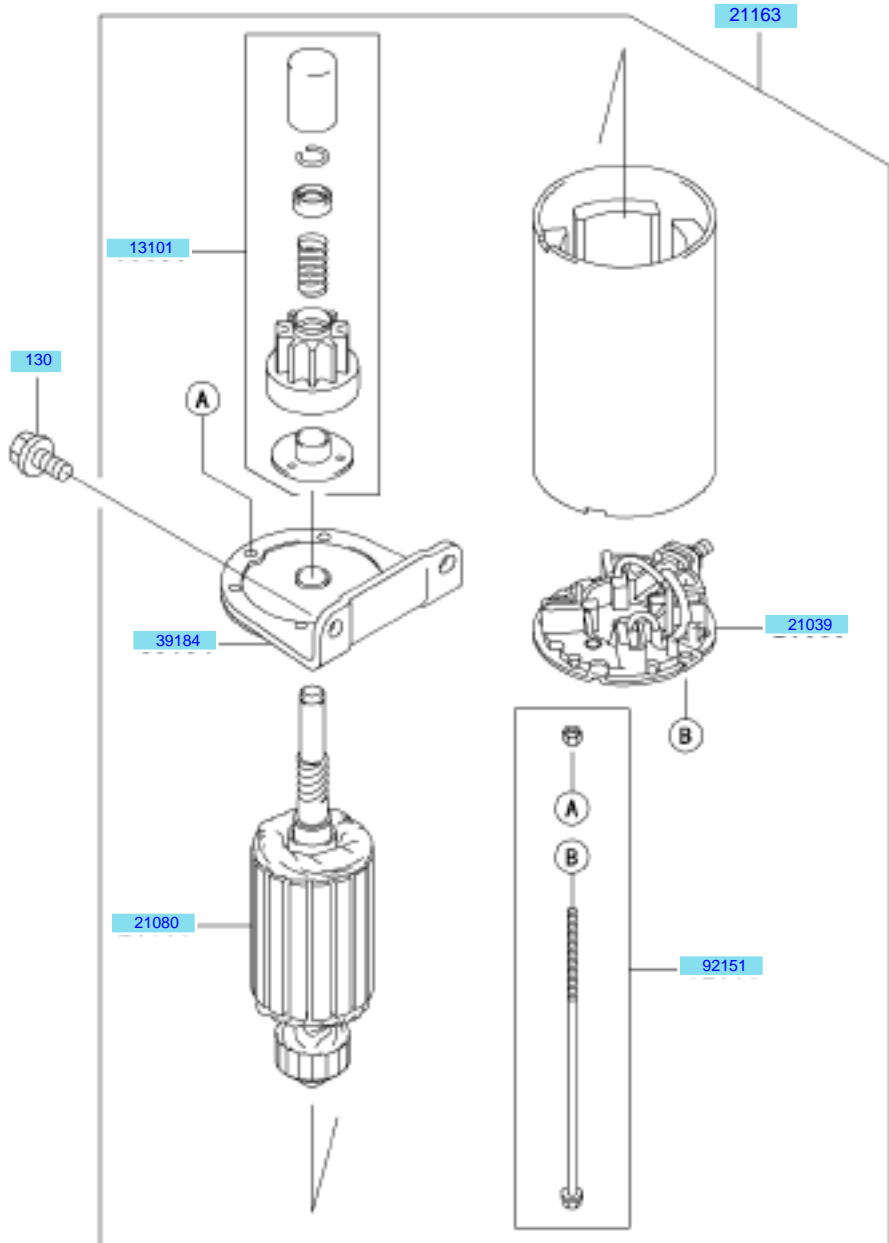
PARTS SHIPPED LOOSE



Ref.No	Part.No	+	Designation	Qty.
130	130B0612		BOLT-FLANGED	2
232	232B0514		SCREW-PAN-WS+-	2
317	317R0800		NUT-HEX-SMALL	4
461	461F0800		WASHER-SPRING	4
11010	11010-7007		FILTER-ASSY-AIR	*
11010A	11010-7012		FILTER-ASSY-AIR	*
11010B	11010-7013		FILTER-ASSY-AIR	1
11013	11013-7001		ELEMENT-AIR FILTER	1
11013A	11013-7002		ELEMENT-AIR FILTER	1
11038	11038-7001		CASE-ASSY-AIR FILTER	*
11038A	11038-7006		CASE-ASSY-AIR FILTER	1
11038B	11038-7009		CASE-ASSY-AIR FILTER	*
11038C	11038-7011		CASE-ASSY-AIR FILTER	1
11050	11050-7006		BRACKET	1
11060	11060-7021		GASKET,MUFFLER	2
27012	27012-7001		HOOK,AIR FILTER	2
59071	59071-7001		JOINT	*
59071A	59071-7013		JOINT	*
59071B	59071-7014		JOINT	2
92015	92015-1193		NUT	2
92191	92191-7001		TUBE	1
92210	92210-7004		NUT	1



Ref.No	Part.No	+	Designation	Qty.
130	130B0620		BOLT-FLANGED	2
23062	23062-7004-9H		BRACKET-COMP	1
49019	49019-7001		FILTER-FUEL	1
49040	49040-7001		PUMP-FUEL	1
92170	92170-2088		CLAMP	4
92191	92191-7002		TUBE	1
92191A	92191-7003		TUBE,6.35X12.7X160	1
92191B	92191-7004		TUBE	1

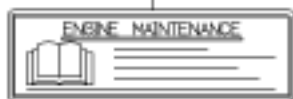


Ref.No	Part.No	+	Designation	Qty.
130	130B0816		BOLT-FLANGED	2
13101	13101-7003		GEAR-ASSY	1
21039	21039-7004		BRUSH	1
21080	21080-7001		ARMATURE	1
21163	21163-7010		STARTER-ELECTRIC	1
39184	39184-7004		BRACKET-ASSY	1
92151	92151-7013		BOLT	1

56070



56033



56080



Ref.No	Part.No	+	Designation	Qty.
56033	56033-7001		LABEL-MANUAL	1
56070	56070-7001		LABEL-WARNING	1
56080	56080-7011		LABEL-BRAND	1