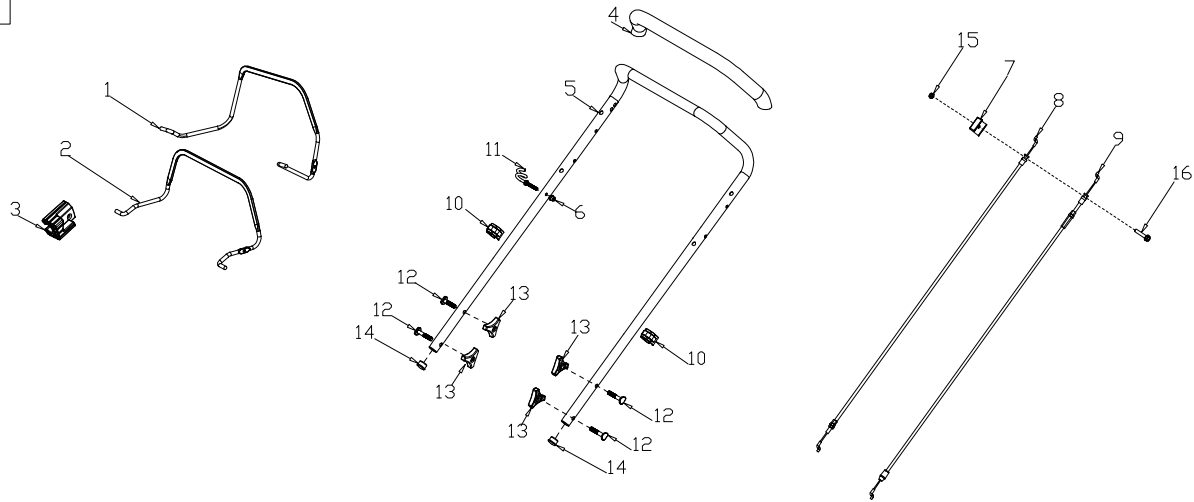
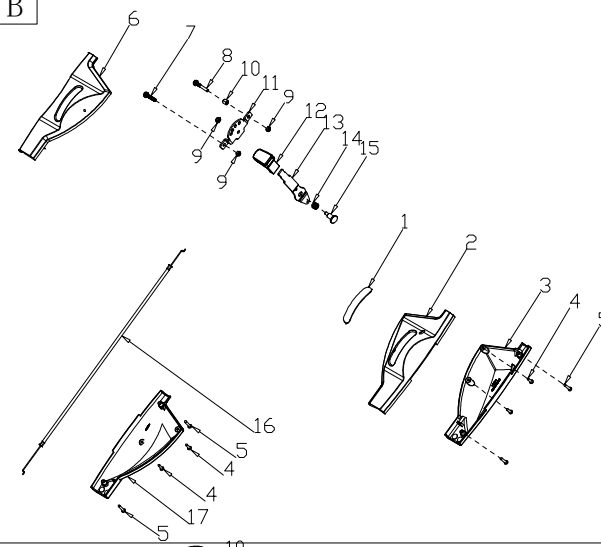


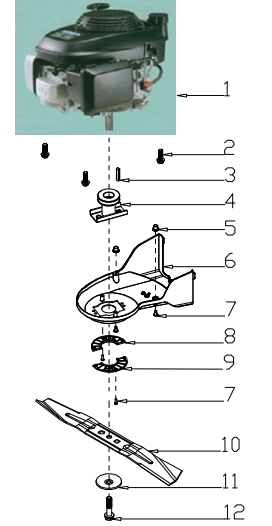
A



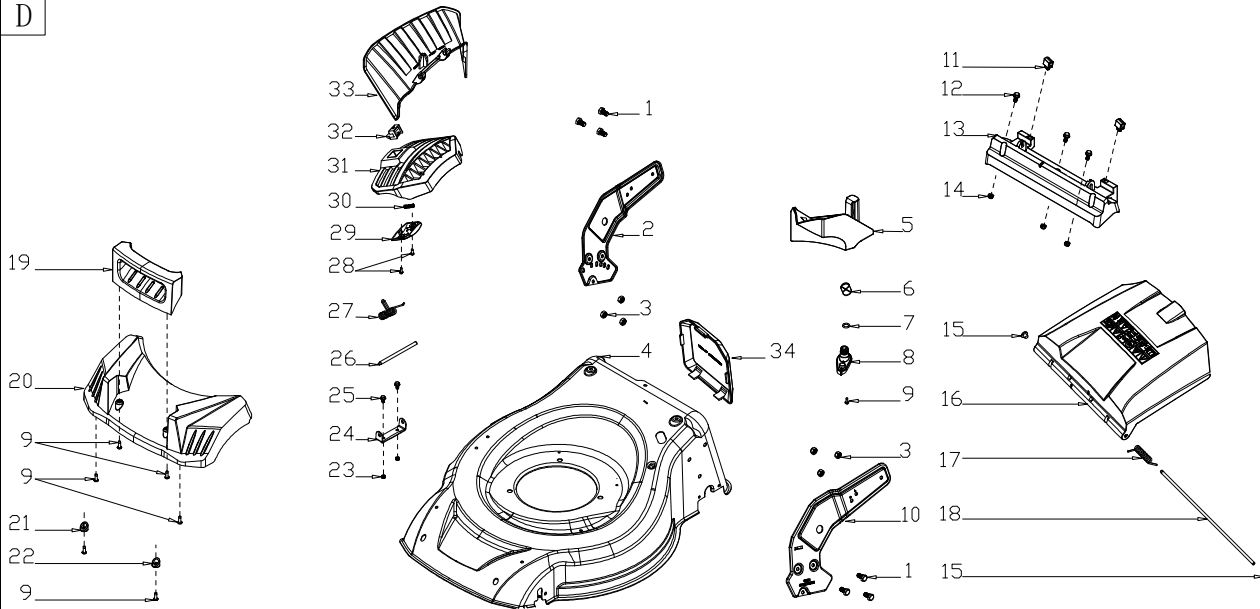
B



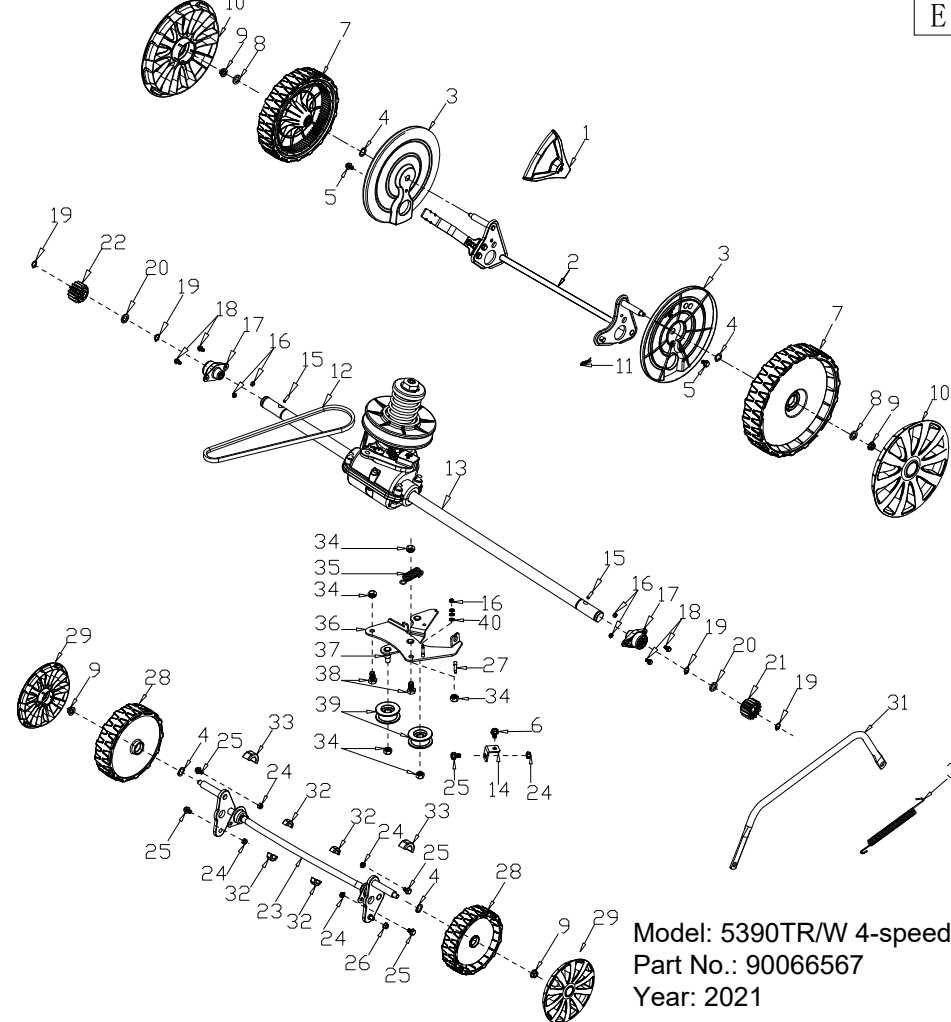
C



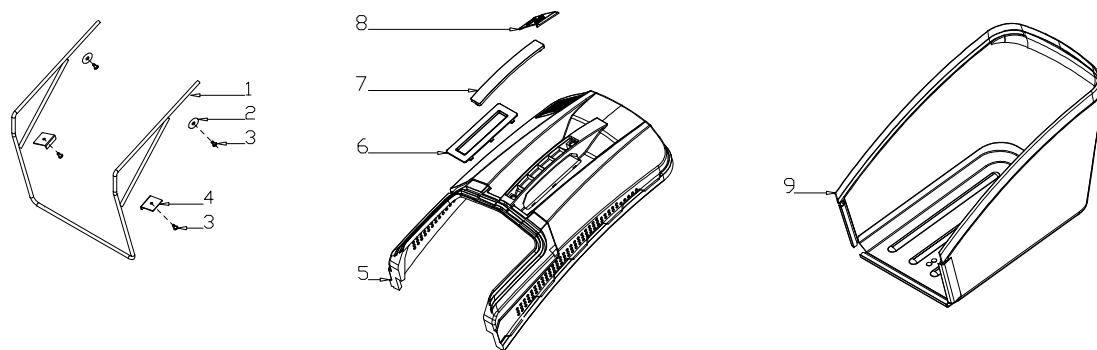
D



E



F



Model: 5390TR/W 4-speed  
 Part No.: 90066567  
 Year: 2021

POS	QTY	PARTNUMBER	BESKRIVELSE	DESCRIPTION
A-1	1	433243	KOBLINGSHÅNDTAG	CLUTCH LEVER
A-2	1	448463	STOP HÅNDTAG	BRAKE LEVER
A-3	1	428853	BESLAG MED STOP FOR BØJLER	BRACKET
A-4	1	419232	SOFTGRIP	HANDLE
A-5	1	435487	ØVERSTE HÅNDTAG	LONGER ER HANDLE
A-6	1	419337	LÅSEMØTRIK M6	LOCKING NUT M6
A-7	1	428856	KABELHOLDER	CABLE HOLDER
A-8	1	448023	STOPKABEL	CABLE
A-9	1	442130	KOBLINGSKABEL	CLUTCH CABLE
A-10	2	428883	KABELHOLDER/CLIPS PLAST	CABLE HOLDER
A-11	1	419237	HOLDER FOR STARTSNOR	HOLDER
A-12	4	439416	BOLT M8X40	BOLT
A-13	4	439369	FINGERSKRUE MØRK SØLV	KNOB
A-14	2	419247	PROP	PLUG
A-15	1	419273	MØTRIK M6	NUT M6
A-16	1	421778	BOLT M6X32	BOLT M6X32
B-1	1	435665	LABEL	#I/T
B-2	1	433266	PANEL VENSTRE/ØVRE	UPPER COVER OF LEFT PANEL
B-3	1	433267	PANEL VENSTRE/NEDRE	LOWER COVER OF LEFT PANEL
B-4	4	428877	SKRUE ST4,2X15	SCREW ST4,2X15
B-5	4	419332	SKRUE ST4,2X25	SCREW ST4,2X25
B-6	1	435488	PANEL HØJRE/ØVRE	UPPER COVER OF RIGHT PANEL
B-7	1	421779	BOLT M6X30	BOLT M6X30
B-8	1	419320	BOLT M6X40	BOLT M6X40
B-9	3	419273	MØTRIK M6	NUT M6
B-10	1	419321	BØS	BUSHING
B-11	1	422941	BESLAG	BRACKET
B-12	1	432453	GREB PLASTIK	PLASTIC GRIP
B-13	1	439396	STANG FOR HASTIGHEDSVÆLGER	OPERATING GRIP
B-14	1	428880	FJEDER FOR HÅNDTAG	SPRING
B-15	1	419325	BOLT SPECIEL	BOLT
B-16	1	422939	KABEL TIL VARIO GEAR	THROTTLE CABLE
B-17	1	435666	PANEL	LOWER COVER OF RIGHT PANEL
C-1	1	448464	MOTOR	ENGINE
C-2	3	421743	BOLT	BOLT
C-3	1	435669	NOT	FLAT KEY
C-4	1	439403	KNIVHOLDER	BLADE ADAPTER
C-5	2	419286	HÆTTE	HOOD
C-6	1	435495	REMSKÆRM	BELT COVER
C-7	4	419288	SKRUE ST4,8X12	SCREW ST4,8X12
C-8	1	435496	AFDÆKNING	BELT COVER PLATE
C-9	1	435497	AFDÆKNING	BELT COVER PLATE
C-10	1	436481	VINGEKNIIV STANDARD 53CM	WING BLADE 21"
C-11	1	419292	SKIVE FOR KNIV	WASHER
C-12	1	419293	STÅLBOLT FOR KNIVHOLDER 3/8-24UNFX35	STEEL BOLT

POS	QTY	PARTNUMBER	BESKRIVELSE	DESCRIPTION
D-1	6	419276	BOLT M8X15	BOLT M8X15
D-2	1	435499	BESLAG HØJRE	RIGHT BRACKET
D-3	6	439963	MØTRIK	NUT
D-4	1	435500	KLIPPESKJOLD	DECK
D-5	1	435501	BIOPLUG	MULCHING PLUG
D-6	1	419278	KRAVE	SLEEVE
D-7	1	419279	O-RING 11X2.5	O-RING 11X2.5
D-8	1	435502	VASKESTUDS	WASHING LINKER
D-9	7	439373	SKRUE	SCREW
D-10	1	435503	BESLAG VENSTRE	LEFT BRACKET
D-11	2	419271	BESLAG FOR BAGSKÆRM	BRACKET
D-12	3	419270	BOLT M6X14	BOLT M6X14
D-13	1	435678	HOLDER FOR OPSAMLER	REAR COVER PEDESTAL
D-14	3	419273	MØTRIK M6	NUT M6
D-15	2	421741	HÆTTE	HOOD
D-16	1	435505	UDKASTERKLAP	REAR COVER
D-17	1	419302	FJEDER	SPRING
D-18	1	419301	AKSEL	SHAFT
D-19	1	435506	PLASTHÅNDTAG	FRONT PLASTIC FACE HANDLE
D-20	1	435507	FORSKÆRM	FRONT PLASTIC FACE
D-21	1	419317	SKIVE HØJRE HØJRE	WASHER HØJRE
D-22	1	419318	SKIVE VENSTRE	WASHER VENSTRE
D-23	2	419263	MØTRIK M5	NUT M5
D-24	1	435508	BESLAG	SIDE DISCHARGE BRACKET
D-25	2	421982	BOLT M5X12	BOLT M5X12
D-26	1	421770	AKSEL	SHAFT
D-27	1	432575	FJEDER FOR UDKASTSKÆRM	SIDE DISCHARGE COVER SPRING
D-28	2	434588	SKRUE ST4.2X12	SCREW ST4.2X12
D-29	1	439391	PLADE	COVER PLATE
D-30	1	439375	FJEDER	SPRING
D-31	1	439418	SKÆRM FOR BIOKLIP	SIDE DISCHARGE COVER
D-32	1	439377	LÅS	LOCK
D-33	1	435510	UDKASTERSKÆRM	SIDE-DISCHARGE GUIDING BOARD
D-34	1	436544	DÆKSEL	COVER
E-1	1	435511	HÅNDTAG FOR HØJDEJUSTERING	HEIGHT ADJUSTMENT HANDLE
E-2	1	419249	BAGAKSEL	REAR AXLE
E-3	2	419250	STØVDÆKSEL 11"	DUST CAP 11"
E-4	4	419251	FJEDERSKIVE	SPRING COLLAR
E-5	2	419350	STÅLBOLT M6X12	STEEL BOLT M6X12
E-6	1	439399	BOLT M6X18	BOLT
E-7	2	435513	HJUL 11"	"11" WHEEL"
E-8	2	419255	SKIVE 13.2X24.3	WASHER 13.2X24.3
E-9	4	419256	MØTRIK M8	NUT M8
E-10	2	443437	HJULKAPSEL 11"	OUTER WHEEL COVER
E-11	1	419258	PIN	PIN
E-12	1	435679	KILEREM	BELT
E-13	1	442595	GEARBOKS M/REMSKIVESÆT	GEARBOX W/BELT WHEEL ASSY

POS	QTY	PARTNUMBER	BESKRIVELSE	DESCRIPTION
E-14	1	442596	BESLAG	FIXED PLATE
E-15	2	419262	STIFT Ø5 MM / L 17 MM	PIN
E-16	5	419263	MØTRIK M5	NUT M5
E-17	2	435515	KRAVE	SHAFT SLEEVE
E-18	4	421982	BOLT M5X12	BOLT M5X12
E-19	4	419266	SEEGERRING U12	RETAINER RING U12
E-20	2	419267	SKIVE 12.5X24X1.5	WASHER 12.5X24X1.5
E-21	1	419268	PALHJUL VENSTRE 15 TÆNDER	RATCHET WHEEL 15 TÆNDER
E-22	1	419269	PALHJUL HØJRE 15 TÆNDER	RATCHET WHEEL 15 TÆNDER
E-23	1	443438	AKSEL	FRONT WHEEL SHAFT
E-24	5	419273	MØTRIK M6	NUT M6
E-25	5	419350	STÅLBOLT M6X12	STEEL BOLT M6X12
E-26	1	419295	MØTRIK M6	NUT M6
E-27	1	448465	BOLT	BOLT
E-28	2	435517	FORHJUL 8"	8" WHEEL
E-29	2	443439	HJULKAPSEL 8"	OUTER WHEEL COVER
E-30	1	427159	FJEDER TIL HØJDEJUSTERING	SPRING
E-31	1	435519	STANG FOR HØJDEJUSTERING	HEIGHT ADJUSTMENT CONNECTING ROD
E-32	4	432580	GLIDEBØS FOR FORAKSEL	SHAFT SLEEVE
E-33	2	440223	AFSTANDSBØS	SHAFT SLEEVE
E-34	5	419246	MØTRIK M8	NUT M8
E-35	1	422947	FJEDER	SPRING
E-36	1	444382	PLADE	FIXED PLATE
E-37	1	444383	BESLAG	FIXED PLATE
E-38	2	419276	BOLT M8X15	BOLT M8X15
E-39	2	422949	REMHJUL	BELT WHEEL
E-40	3	442600	LEJE	BEARING
F-1	1	435520	BØJLE	METAL BRACKET
F-2	2	419335	SKIVE 5X32X1,2	WASHER 5X32X1,2
F-3	4	419288	SKRUE ST4,8X12	SCREW ST4,8X12
F-4	2	435522	BESLAG	FIXED PLATE
F-5	1	435523	OPSAMLER TOP	PLASTIC COVER
F-6	1	433256	COVER	COVER PLATE
F-7	1	435524	COVER	HAND COVER
F-8	1	435525	INDIKATOR FOR FYLDE OPSAMLER	INDICATED BOARD
F-9	1	432583	OPSAMLERPOSE	FABRIC BAG