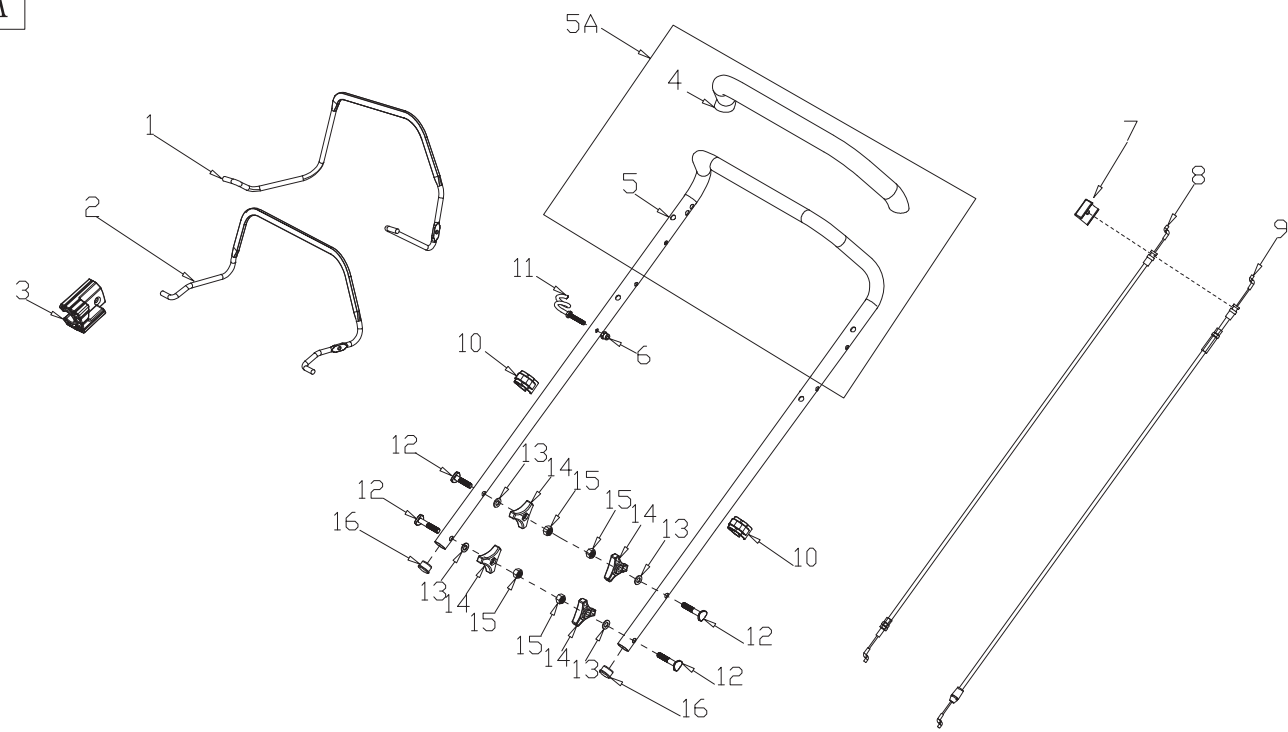
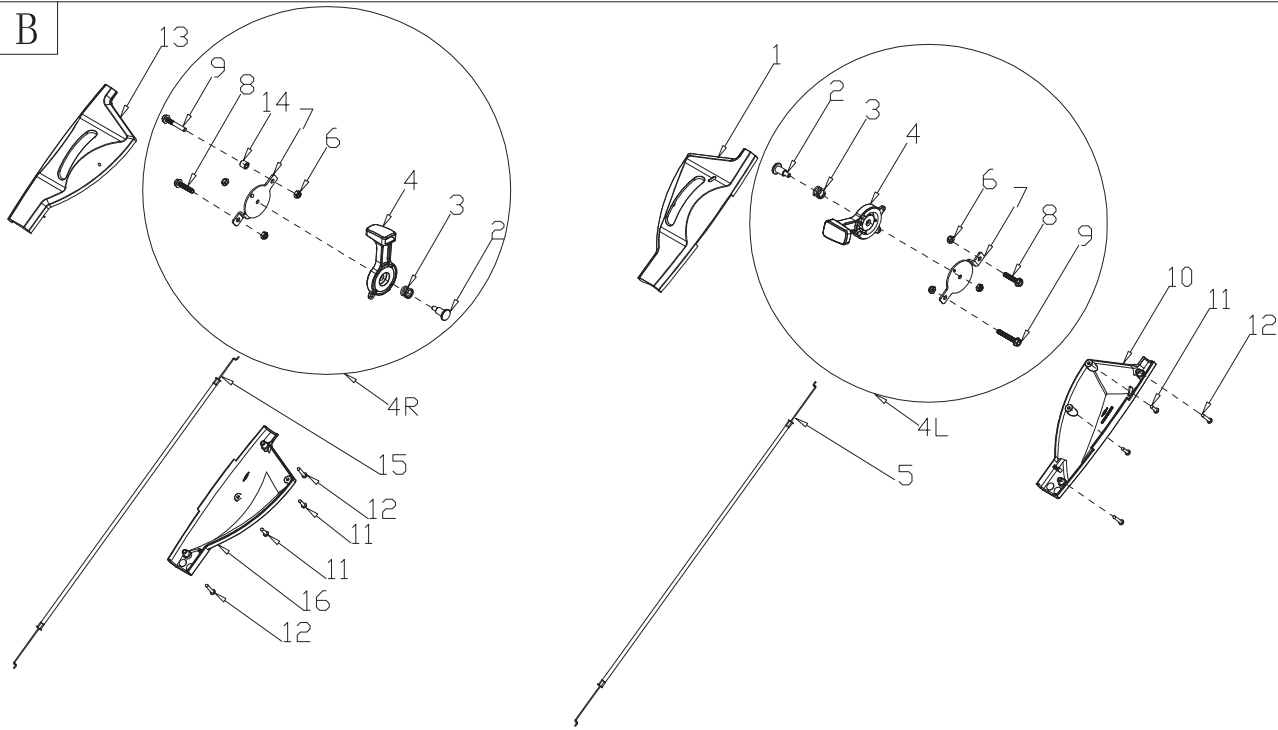
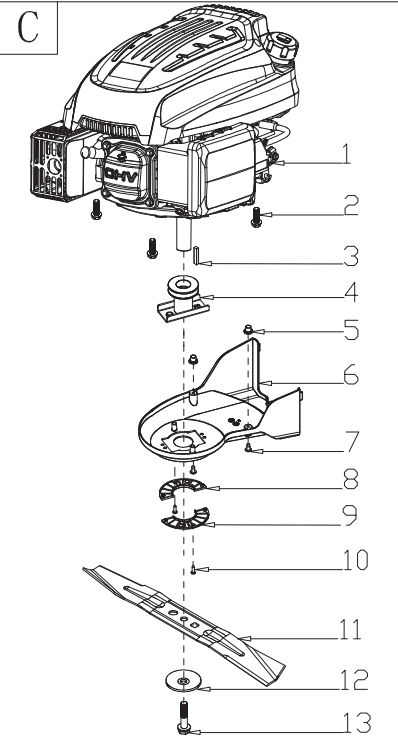
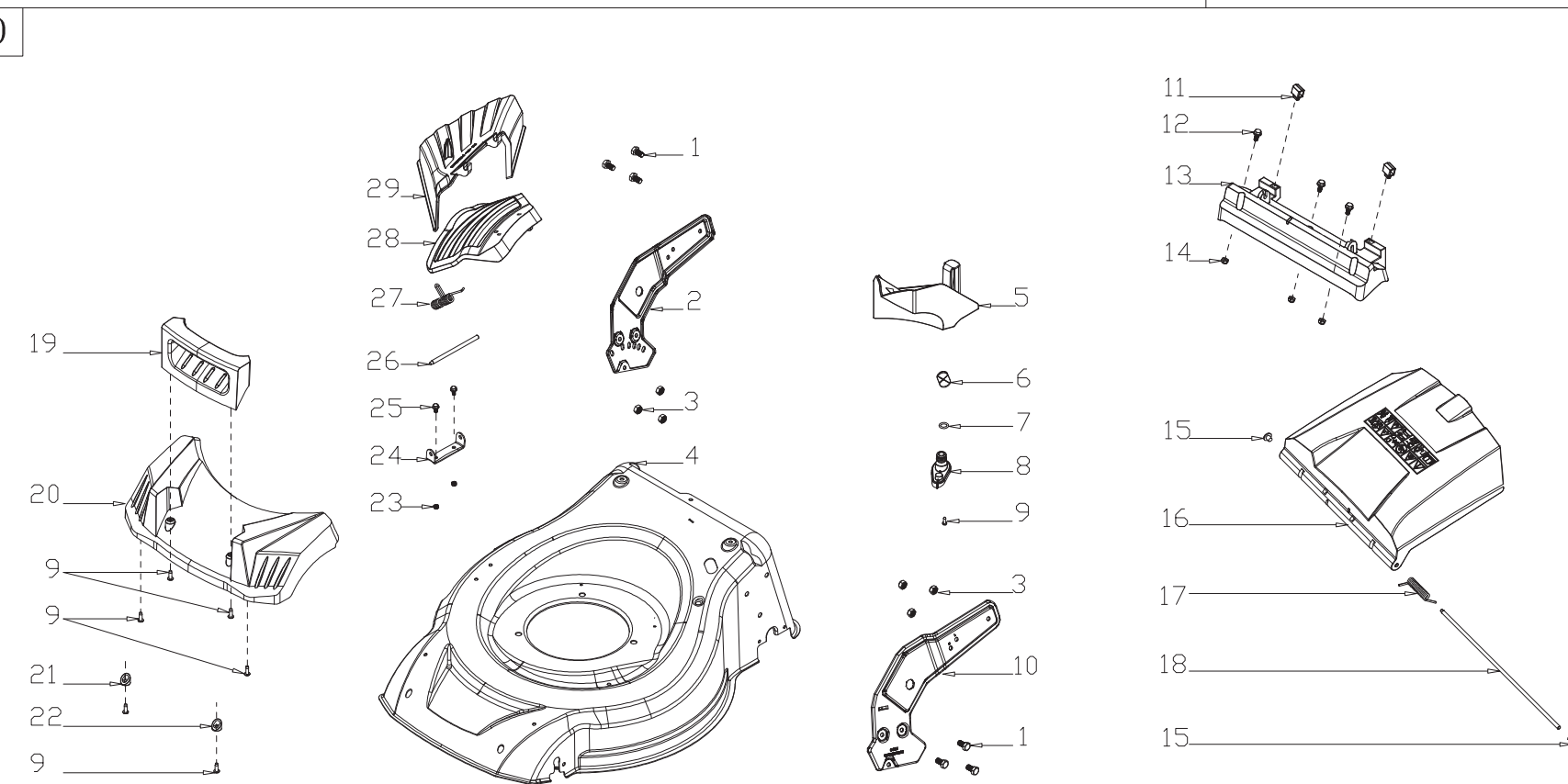
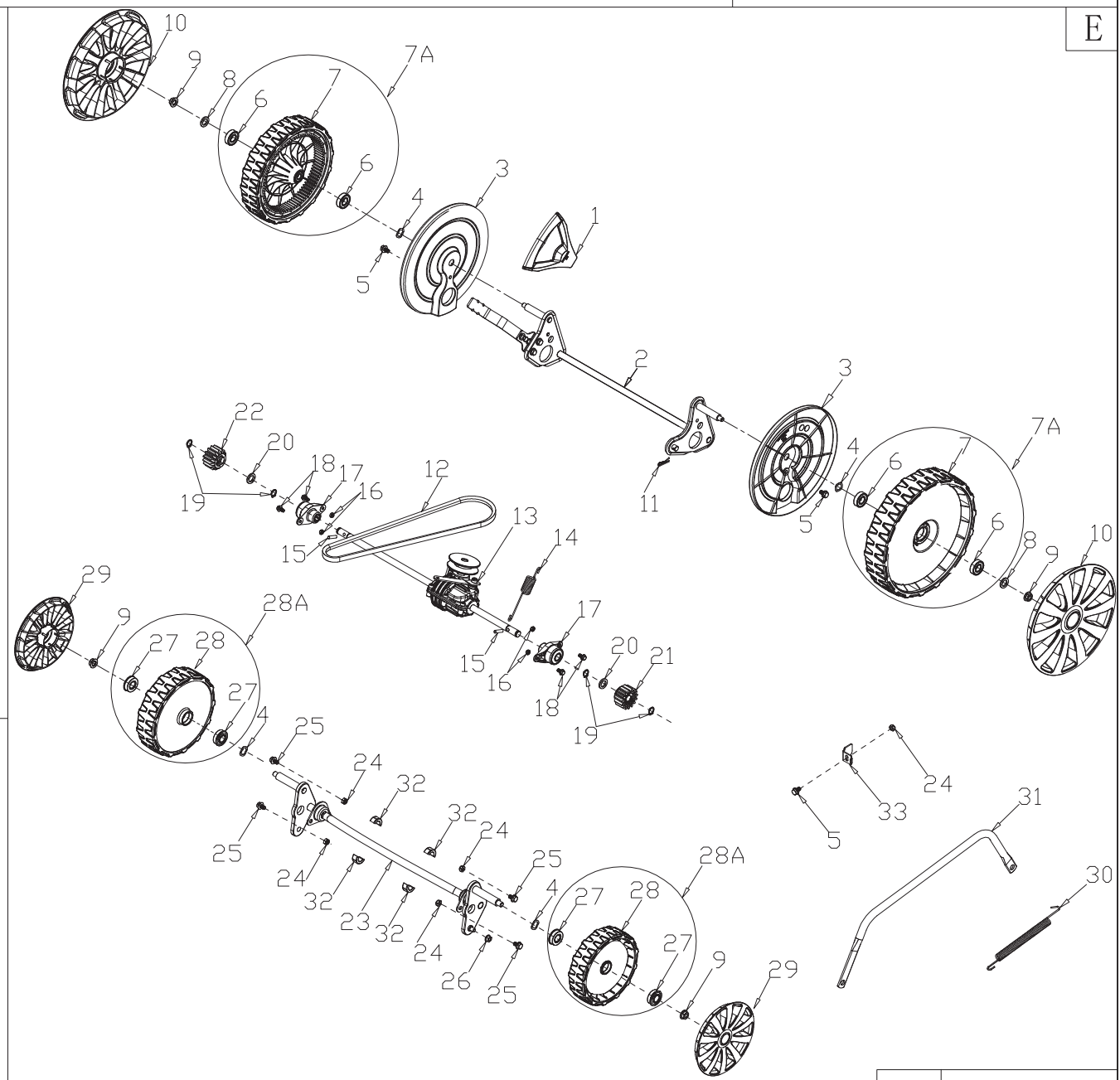
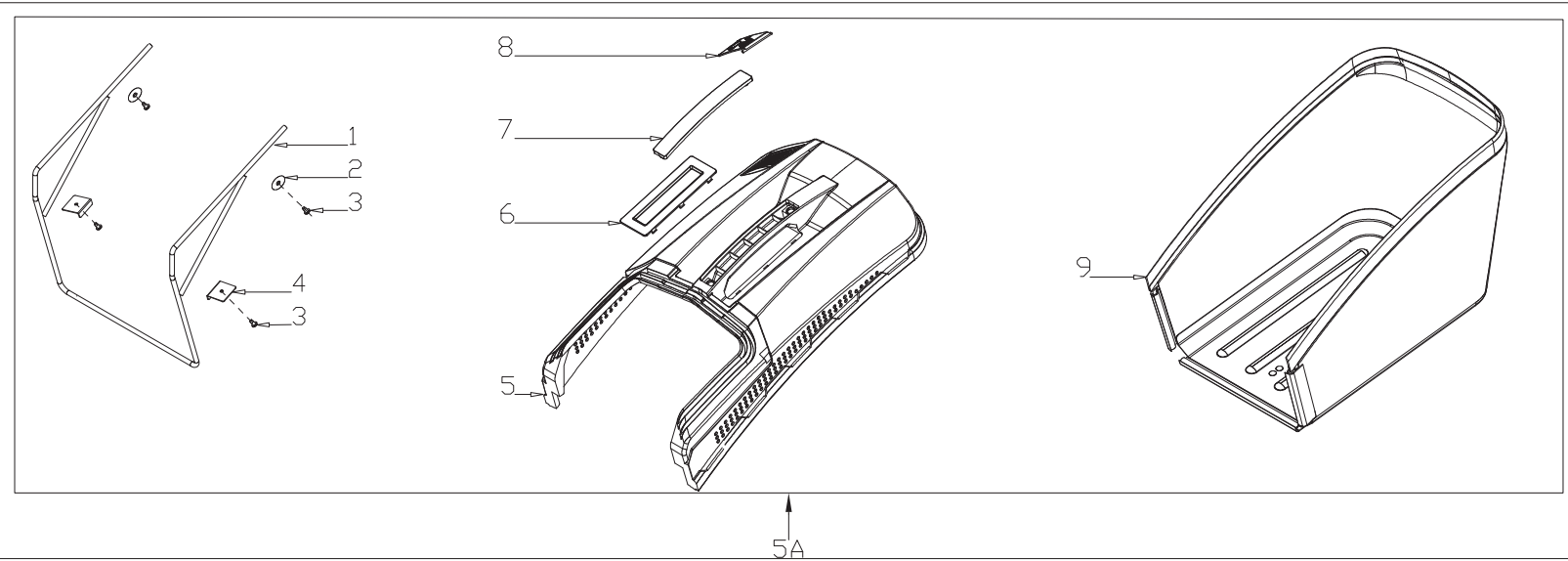


A**B****C****D****E****F**

Model:	Premium 4820 TR/W
Year:	2017
Part Number:	90066554

POS	QTY	PARTNUMBER	BESKRIVELSE	DESCRIPTION
A-1	1	433243	KOBLINGSHÅNDTAG	CLUTCH LEVER
A-2	1	433228	STOP HÅNDTAG	BRAKE LEVER
A-3	1	428853	BESLAG MED STOP FOR BØJLER	BRACKET
A-4	1	419232	SOFTGRIP	HANDLE
A-5A	1	435486	ØVERSTE HÅNDTAG KPL.	UPPER HANDLE ASSY
A-5	1	435487	ØVERSTE HÅNDTAG	LONGER ER HANDLE
A-6	1	419337	LÅSEMØTRIK M6	LOCKING NUT M6
A-7	1	428856	KABELHOLDER	CABLE HOLDER
A-8	1	428857	STOPKABEL	STOP CABLE
A-9	1	432571	KABEL KOBLING	CLUTCH CABLE
A-10	2	419244	KABELHOLDER	CABLE HOLDER
A-11	1	419237	HOLDER FOR STARTSNOR	HOLDER
A-12	4	419239	BOLT M8X45	BOLT M8X45
A-13	4	419242	SKIVE 8.5X16X1.54	WASHER 8.5X16X1.54
A-14	4	433232	KNOP	KNOB
A-15	4	419240	MØTRIK M8	NUT M8
A-16	2	419247	PROP	PLUG
B-1	1	433266	PANEL VENSTRE/ØVRE	UPPER COVER OF LEFT PANEL
B-2	2	419325	BOLT SPECIEL	BOLT
B-3	2	419324	FJEDER	SPRING
B-4	2	432461	GREB PLASTIK	PLASTIC GRIP
B-5	1	419331	KABEL CHOKER	CHOKE CABLE
B-6	6	419273	MØTRIK M6	NUT M6
B-7	2	419322	PLADE	PLATE
B-8	2	419236	FLANGEBOLT M6X30	COLLAR BOLT M6X30
B-9	2	419320	BOLT M6X40	BOLT M6X40
B-10	1	433267	PANEL VENSTRE/NEDRE	LOWER COVER OF LEFT PANEL
B-11	4	428877	SKRUE ST4,2X15	SCREW ST4,2X15
B-12	6	419332	SKRUE ST4,2X25	SCREW ST4,2X25
B-13	1	435670	PANEL HØJRE/ØVRE	UPPER COVER OF RIGHT PANEL
B-14	1	419321	BØS	BUSHING
B-15	1	432459	KABEL GAS	CABLE
B-16	1	435682	PANEL	LOWER COVER OF RIGHT PANEL
C-1	1	TG470V	TG470V	
C-2	3	419284	BOLT M8X25	BOLT M8X25
C-3	1	419289	NOT	NOT
C-4	1	435494	KNIVHOLDER	BLADE ADAPTER
C-5	2	419286	HÆTTE	HOOD
C-6	1	435684	REMSKÆRM	BELT COVER
C-7	2	419288	SKRUE ST4,8X12	SCREW ST4,8X12
C-8	1	435496	AFDÆKNING	BELT COVER PLATE
C-9	1	435497	AFDÆKNING	BELT COVER PLATE
C-10	2	428877	SKRUE ST4,2X15	SCREW ST4,2X15
C-11	1	438510	KNIV 48CM	
C-12	1	419292	SKIVE FOR KNIV	WASHER
C-13	1	428885	KNIVBOLT 3/8X24UNF	KNIFE BOLT 3/8X24UNF

POS	QTY	PARTNUMBER	BESKRIVELSE	DESCRIPTION
D-1	6	419276	BOLT M8X15	BOLT M8X15
D-2	1	435685	BESLAG HØJRE	RIGHT BRACKET
D-3	6	419246	MØTRIK M8	NUT M8
D-4	1	435686	SKJOLD	DECK
D-5	1	435501	BIOPLUG	MULCHING PLUG
D-6	1	419278	KRAVE	SLEEVE
D-7	1	419279	O-RING 11X2.5	O-RING 11X2.5
D-8	1	435502	VASKESTUDS	WASHING LINKER
D-9	7	419316	SKRUE 4X15	SCREW 4X15
D-10	1	435503	BESLAG VENSTRE	LEFT BRACKET
D-11	2	419271	BESLAG FOR BAGSKÆRM	BRACKET
D-12	3	419270	BOLT M6X14	BOLT M6X14
D-13	1	435678	HOLDER FOR OPSAMLER	REAR COVER PEDESTAL
D-14	3	419273	MØTRIK M6	NUT M6
D-15	2	421741	HÆTTE	HOOD
D-16	1	435505	UDKASTERKLAP	REAR COVER
D-17	1	419302	FJEDER	SPRING
D-18	1	419301	AKSEL	SHAFT
D-19	1	435506	PLASTHÅNDTAG	FRONT PLASTIC FACE HANDLE
D-20	1	435507	FORSKÆRM	FRONT PLASTIC FACE
D-21	1	419317	SKIVE HØJRE HØJRE	WASHER HØJRE
D-22	1	419318	SKIVE VENSTRE	WASHER VENSTRE
D-23	2	419263	MØTRIK M5	NUT M5
D-24	1	435687	BESLAG	SIDE DISCHARGE BRACKET
D-25	2	419265	BOLT M5X10	BOLT M5X10
D-26	1	421770	AKSEL	SHAFT
D-27	1	432575	FJEDER FOR UDKASTSKÆRM	SIDE DISCHARGE COVER SPRING
D-28	1	435509	SKÆRM TIL BIOPLUG	SIDE DISCHARGE COVER
D-29	1	435510	UDKASTERSKÆRM	SIDE-DISCHARGE GUIDING BOARD
E-1	1	435511	HÅNDTAG FOR HØJDEJUSTERING	HEIGHT ADJUSTMENT HANDLE
E-2	1	421754	BAGAKSEL	SHAFT
E-3	2	421755	STØVDÆKSEL 10"	DUST CAP 10"
E-4	6	419251	FJEDERSKIVE	SPRING COLLAR
E-5	2	419252	SÆTBOLT M6X10	SET BOLT M6X10
E-7A	2	435688	BAGHJUL KPL.	"11"" WHEEL ASSY WITH BEARINGS"
E-6	4	419253	KUGLELEJE 12,7X28,575X7,9	BALL BEARING 12,7X28,575X7,9
E-7	2	435689	BAGHJUL 10"	"10"" WHEEL"
E-8	2	419255	SKIVE 13.2X24.3	WASHER 13.2X24.3
E-9	4	419256	MØTRIK M8	NUT M8
E-10	2	435690	NAVKAPSEL 10"	"10"" OUTER WHEEL COVER"
E-11	1	419258	PIN	PIN
E-12	1	435691	KILEREM	BELT
E-13	1	432577	TRANSMISSION	GEARBOX
E-14	1	432578	FJEDER FOR GEAR	SPRING
E-15	2	419262	STIFT	PIN
E-16	6	419263	MØTRIK M5	NUT M5

POS	QTY	PARTNUMBER	BESKRIVELSE	DESCRIPTION
E-17	2	435515	KRAVE	SHAFT SLEEVE
E-18	4	421982	BOLT M5X12	BOLT M5X12
E-19	4	419266	SEEGERRING U12	RETAINER RING U12
E-20	2	419267	SKIVE 12.5X24X1.5	WASHER 12.5X24X1.5
E-21	1	419268	PALHJUL VENSTRE 15 TÆNDER	RATCHET WHEEL 15 TÆNDER
E-22	1	419269	PALHJUL HØJRE 15 TÆNDER	RATCHET WHEEL 15 TÆNDER
E-23	1	435692	FORAKSEL	FRONT WHEEL SHAFT
E-24	2	419273	MØTRIK M6	NUT M6
E-25	2	419350	STÅLBOLT M6X12	STEEL BOLT M6X12
E-26	1	419295	MØTRIK M6	NUT M6
E-28A	2	435693	FORHJUL KPL. 7"	"7"" WHEEL ASSY WITH BEARINGS"
E-27	4	419296	HJULLEJE 12,6X28,6X8	WHEEL BEARING 12,6X28,6X11
E-28	2	435694	FORHJUL 7"	"7"" WHEEL"
E-29	2	435695	NAVKAPSEL 7"	"7"" OUTER WHEEL COVER"
E-30	1	427159	FJEDER TIL HØJDEJUSTERING	SPRING
E-31	1	435696	STANG HØJDEJUSTERING	HEIGHT ADJUSTMENT CONNECTING ROD
E-32	4	432580	GLIDEBØS FOR FORAKSEL	SHAFT SLEEVE
E-33	1	432581	MONTERINGSPLADE	LIMITING PLATE
F-1	1	435520	BØJLE	METAL BRACKET
F-2	4	419335	SKIVE 5X32X1,2	WASHER 5X32X1,2
F-3	4	419288	SKRUE ST4,8X12	SCREW ST4,8X12
F-5A	1	435521	OPSAMLER KPL	GRASS COLLECTOR
F-4	2	435522	BESLAG	FIXED PLATE
F-5	1	435523	OPSAMLER TOP	PLASTIC COVER
F-6	1	433256	COVER	COVER PLATE
F-7	1	435524	COVER	HAND COVER
F-8	1	435525	INDIKATOR FOR FYLDE OPSAMLER	INDICATED BOARD
F-9	1	432583	OPSAMLERPOSE	FABRIC BAG