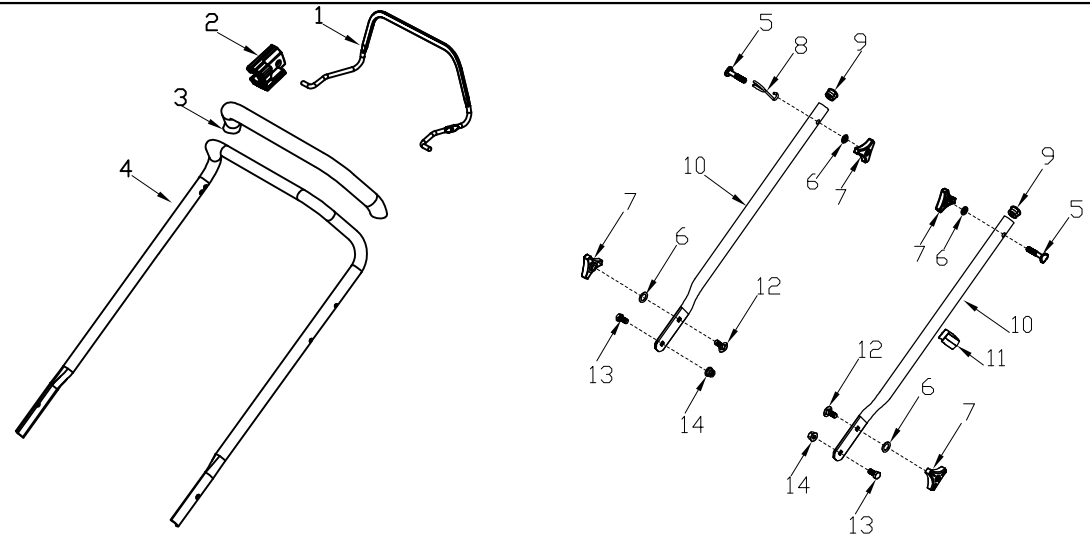
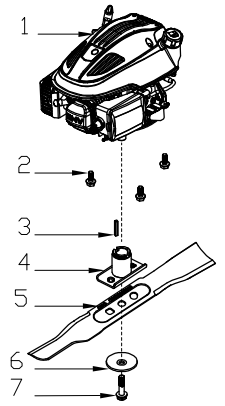


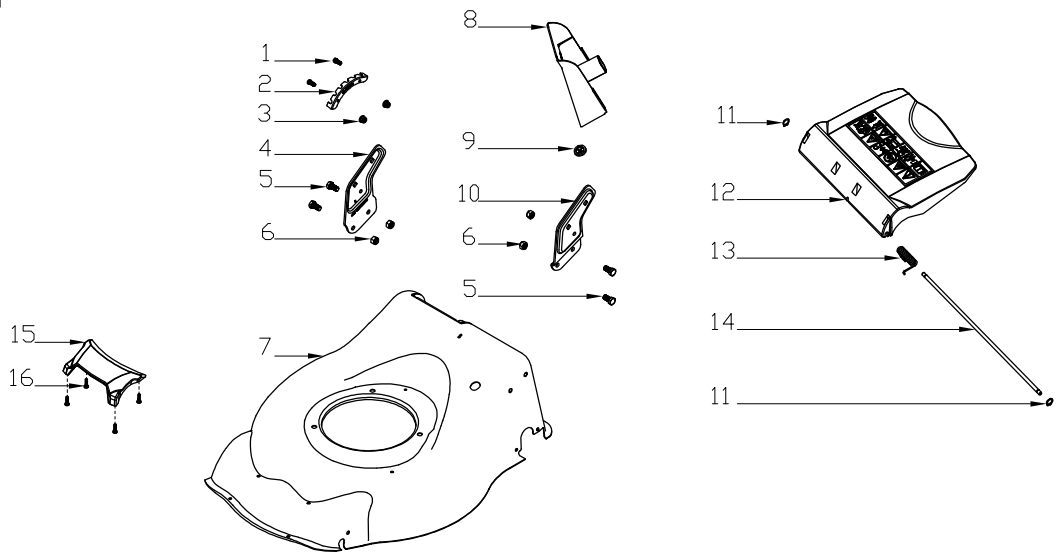
A



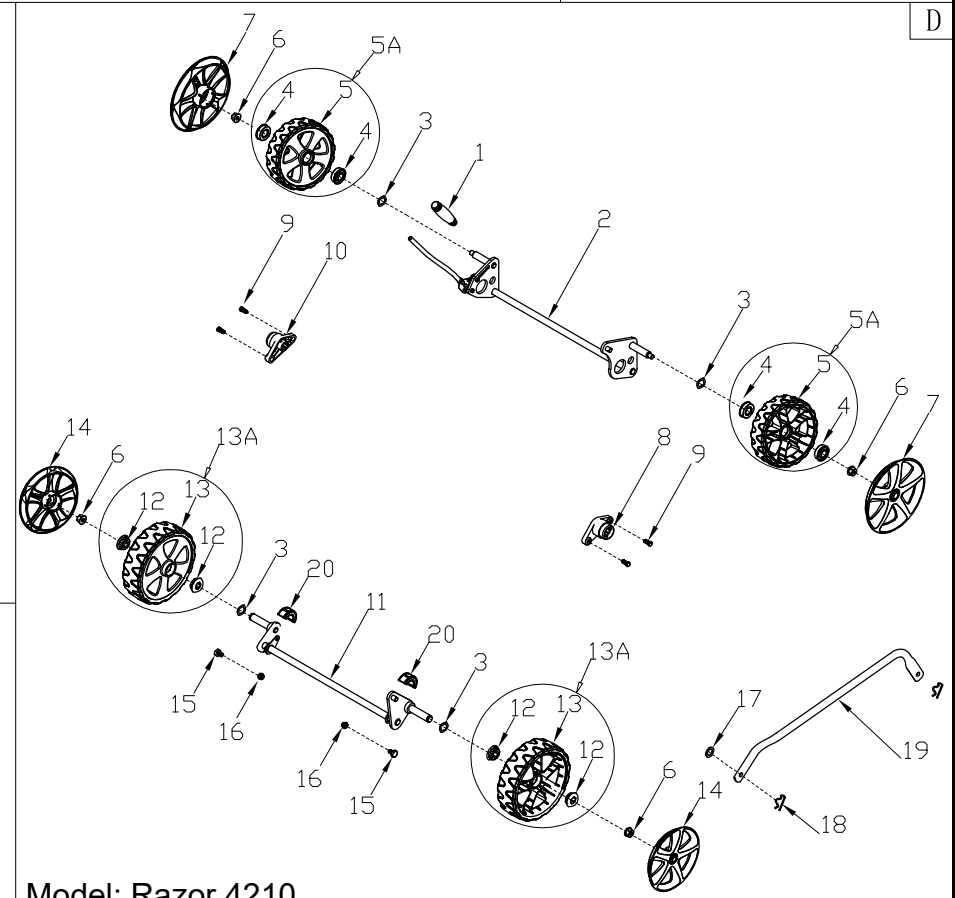
B



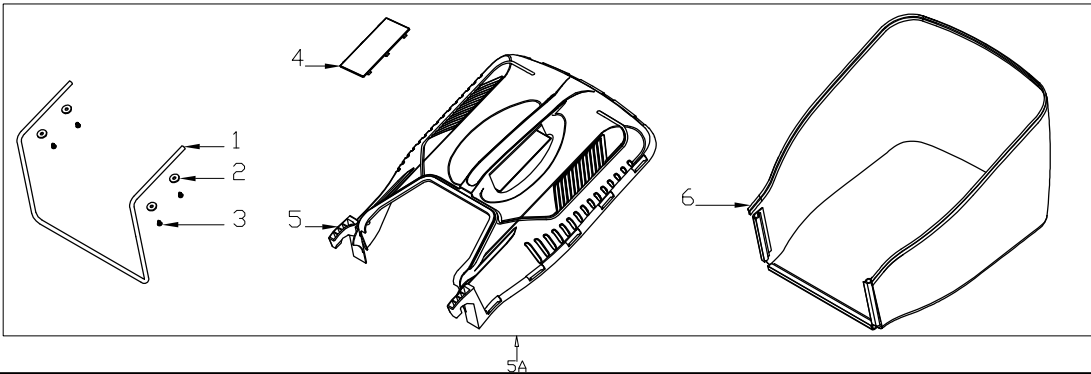
C



D



E



Model: Razor 4210
 Part Number: 90066518
 Year: 2021

POS	QTY	PARTNUMBER	BESKRIVELSE	DESCRIPTION
A-1	1	433228	STOP HÅNDTAG	BRAKE LEVER
A-2	1	428853	BESLAG MED STOP FOR BØJLER	BRACKET
A-3	1	435622	SOFTGRIP	FOAM PIPE
A-4	1	433259	ØVRE STYR	UPPER HANDLE
A-5	2	427152	BRÆDDEBOLT M8X50	BOLT M8X50
A-6	4	419242	SKIVE 8.5X16X1.54	WASHER 8.5X16X1.54
A-7	4	439369	FINGERSKRUE MØRK SØLV	KNOB
A-8	1	435623	HOLDER FOR STARTSNOR	ROPE GUIDE
A-9	2	435624	PROP	HANDLE PLUG
A-10	2	435625	STYR UNDER	LOWER HANDLE
A-11	1	428883	KABELHOLDER/CLIPS PLAST	CABLE HOLDER
A-12	2	435626	BRÆDDEBOLT M8X25	BOLT
A-13	2	419276	BOLT M8X15	BOLT M8X15
A-14	2	419246	MØTRIK M8	NUT M8
A-15	1	419235	MØTRIK M6	NUT M6
A-16	1	428856	KABELHOLDER	CABLE HOLDER
A-17	1	435627	KABEL STOP	BRAKE CABLE
A-18	1	421778	BOLT M6X32	BOLT M6X32
B-1	1	TG150	MOTOR TG150	ENGINE TG150
B-2	3	419284	BOLT M8X25	BOLT M8X25
B-3	1	419289	NOT	NOT
B-4	1	435703	KNIVHOLDER	BLADE ADAPTER
B-5	1	435631	KNIV 42CM	17" BLADE
B-6	1	419292	SKIVE FOR KNIV	WASHER
B-7	1	419293	STÅLBOLT FOR KNIVHOLDER 3/8-24UNFX35	STEEL BOLT
C-1	2	419252	SÆTBOLT M6X10	SET BOLT M6X10
C-2	1	435632	HØJDEJUSTERING PLADE	HEIGHT ADJUSTMENT PLATE
C-3	2	419273	MØTRIK M6	NUT M6
C-4	1	439379	STYRHOLDER HØJRE	RIGHT BRACKET
C-5	4	419276	BOLT M8X15	BOLT M8X15
C-6	4	439963	MØTRIK	NUT
C-7	1	439380	KLIPPESKJOLD	DECK
C-8	1	435635	BIOPLUG	MULCHING PLUG
C-9	1	421761	KRAVE	SLEEVE
C-10	1	439381	STYRHOLDER VENSTRE	LEFT BRACKET
C-11	2	435637	LÅSERING	LOCK RING
C-12	1	435638	UDKASTERKLAP	REAR COVER
C-13	1	435639	FJEDER	REAR COVER SPRING
C-14	1	435640	AKSEL	REAR COVER SHAFT
C-15	1	435663	FORSKÆRM	CLUTCH LEVER
C-16	4	434556	SKRUE ST4.2X9.5	SCREW ST4.2X9.5
D-1	1	435641	HÅNDTAG	HEIGHT ADJUSTMENT HANDLE
D-2	1	435642	BAGAKSEL	REAR WHEEL SHAFT ASSY
D-3	4	419251	FJEDERSKIVE	SPRING COLLAR
D-4	4	419296	HJULLEJE 12,6X28,6X8	WHEEL BEARING 12,6X28,6X11
D-5	2	421766	HJUL UDEN LEJER 175X50X12	WHEEL 175X50X12
D-6	4	419256	MØTRIK M8	NUT M8

POS	QTY	PARTNUMBER	BESKRIVELSE	DESCRIPTION
D-7	2	433253	HJULKAPSEL 7"	7" WHEEL COVER
D-8	1	439383	KRAVE	SHAFT SLEEVE
D-9	4	421982	BOLT M5X12	BOLT M5X12
D-10	1	439384	KRAVE	SHAFT SLEEVE
D-11	1	435652	FORAKSEL	FRONT WHEEL SHAFT
D-12	4	435654	LEJE	PRECURSOR AXLE
D-13	2	435655	FORHJUL 6"	6" WHEEL
D-14	2	435656	HJULKAPSEL 6"	6" OUTER WHEEL COVER
D-15	2	419350	STÅLBOLT M6X12	STEEL BOLT M6X12
D-16	2	419273	MØTRIK M6	NUT M6
D-17	1	435630	SKIVE	FLAT WASHER
D-18	2	419258	PIN	PIN
D-19	1	435657	STANG HØJDEJUSTERING	HEIGHT ADJUSTMENT CONNECTING ROD
D-20	2	440223	AFSTANDBØS	SHAFT SLEEVE
E-1	1	435658	BØJLE	METAL BRACKET
E-2	4	419335	SKIVE 5X32X1,2	WASHER 5X32X1,2
E-3	4	434556	SKRUE ST4.2X9.5	SCREW ST4.2X9.5
E-4	1	435659	PLADE	COVER PLATE
E-5	1	435661	OPSAMLER TOP	PLASTIC COVER
E-6	1	439385	OPSAMLER POSE	FABRIC BAG