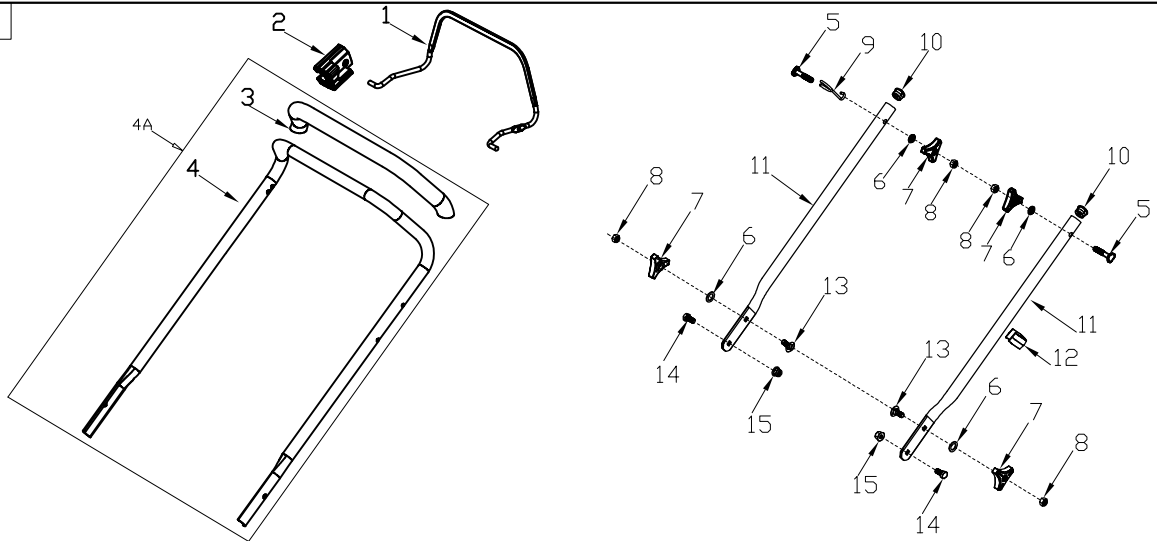
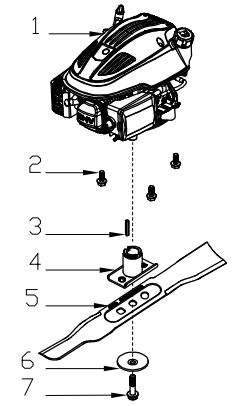


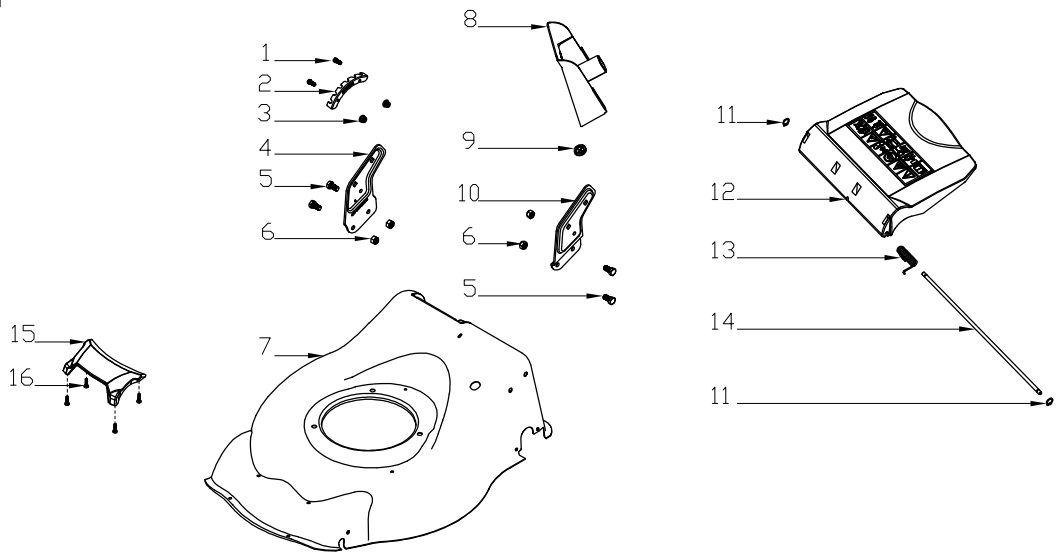
A



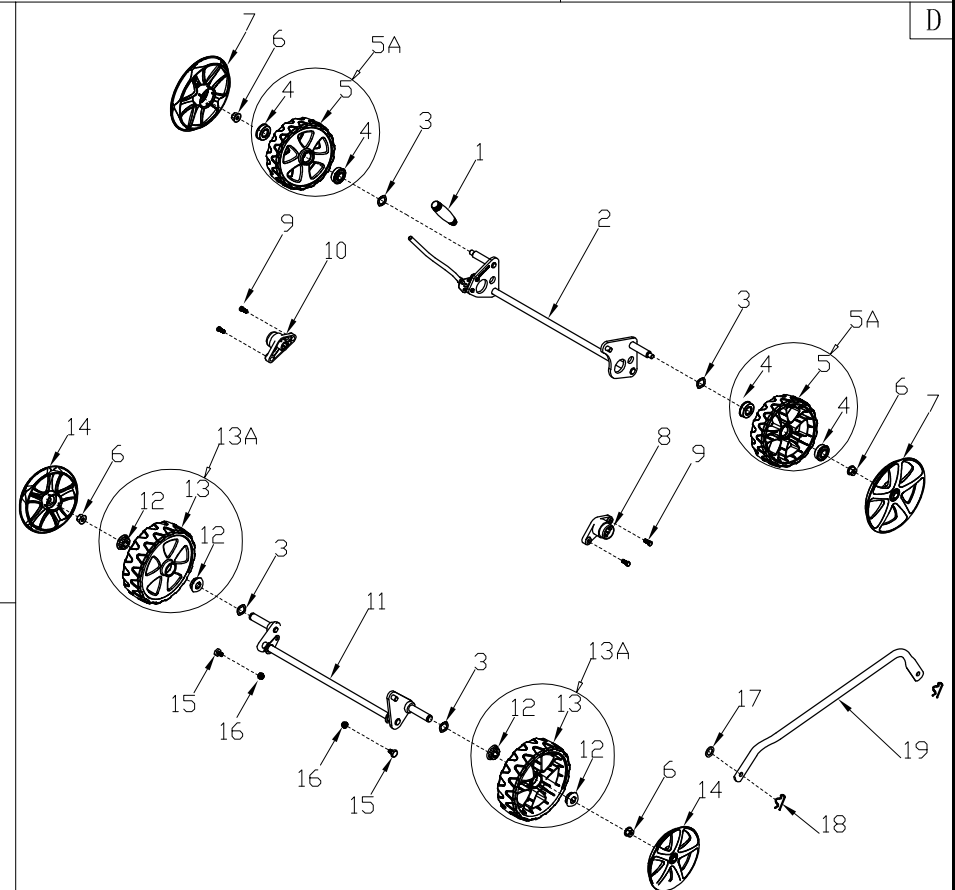
B



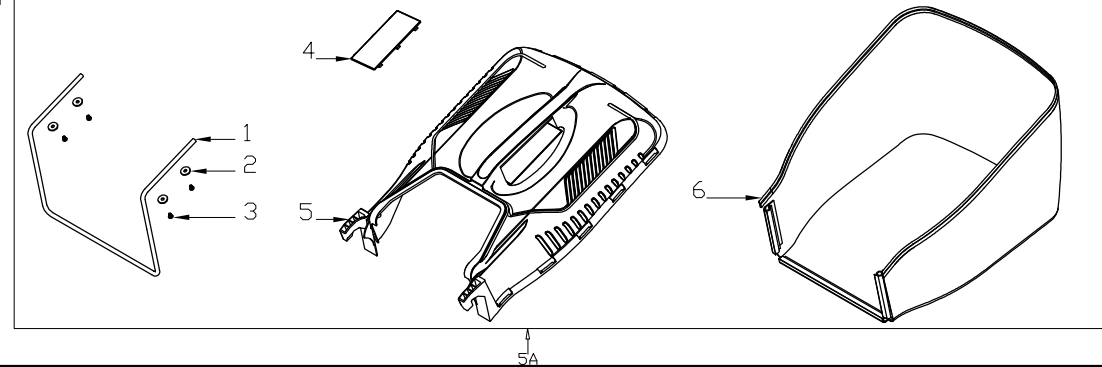
C



D



E



Model: Razor 4210
 Part Number: 90066504
 Year: 2018

| POS | QTY | PARTNUMBER | BESKRIVELSE | DESCRIPTION |
|------|-----|------------|----------------------------|-----------------------------|
| A-1 | 1 | 435622 | SOFTGRIP | FOAM PIPE |
| A-2 | 1 | 433228 | STOP HÅNDTAG | BRAKE LEVER |
| A-4A | 1 | 433258 | ØVERSTE HÅNDTAG KPL. | UPPER HANDLE ASSY |
| A-3 | 1 | 428853 | BESLAG MED STOP FOR BØJLER | BRACKET |
| A-4 | 1 | 433259 | ØVRE STYR KPL. | UPPER HANDLE |
| A-5 | 2 | 427152 | BOLT M8X50 | BOLT M8X50 |
| A-6 | 4 | 419242 | SKIVE 8.5X16X1.54 | WASHER 8.5X16X1.54 |
| A-7 | 4 | 433232 | KNOP | KNOB |
| A-8 | 4 | 419240 | MØTRIK M8 | NUT M8 |
| A-9 | 1 | 435623 | HOLDER FOR STARTSNOR | ROPE GUIDE |
| A-10 | 2 | 435624 | PROP | HANDLE PLUG |
| A-11 | 2 | 435625 | STYR UNDER | LOWER HANDLE |
| A-12 | 1 | 428883 | KABELHOLDER/CLIPS PLAST | CABLE HOLDER |
| A-13 | 2 | 435626 | BRÆDEBOLT | BOLT |
| A-14 | 2 | 419276 | BOLT M8X15 | BOLT M8X15 |
| A-15 | 2 | 419246 | MØTRIK M8 | NUT M8 |
| A-16 | 1 | 419235 | MØTRIK M6 | NUT M6 |
| A-17 | 1 | 428856 | KABELHOLDER | CABLE HOLDER |
| A-18 | 1 | 435627 | KABEL STOP | BRAKE CABLE |
| A-19 | 1 | 421778 | BOLT M6X32 | BOLT M6X32 |
| B-1 | 1 | TG170 | TG170 | |
| B-2 | 3 | 419284 | BOLT M8X25 | BOLT M8X25 |
| B-3 | 1 | 419289 | NOT | NOT |
| B-4 | 1 | 435703 | KNIVHOLDER | BLADE ADAPTER |
| B-5 | 1 | 435631 | KNIV 42CM | 17" BLADE |
| B-6 | 1 | 419292 | SKIVE FOR KNIV | WASHER |
| B-7 | 1 | 428885 | KNIVBOLT 3/8X24UNF | KNIFE BOLT 3/8X24UNF |
| C-1 | 1 | 419252 | SÆTBOLT M6X10 | SET BOLT M6X10 |
| C-2 | 3 | 435632 | HØJDEJUSTERING PLADE | HEIGHT ADJUSTMENT PLATE |
| C-3 | 1 | 419273 | MØTRIK M6 | NUT M6 |
| C-4 | 1 | 439379 | STYRHOLDER HØJRE | RIGHT BRACKET |
| C-5 | 1 | 419276 | BOLT M8X15 | BOLT M8X15 |
| C-6 | 1 | 419246 | MØTRIK M8 | NUT M8 |
| C-7 | 1 | 439380 | KLIPPESKJOLD | DECK |
| C-8 | 1 | 435635 | BIOPLUG | MULCHING PLUG |
| C-9 | 1 | 421761 | KRAVE | SLEEVE |
| C-10 | 1 | 439381 | STYRHOLDER VENSTRE | LEFT BRACKET |
| C-11 | 2 | 435637 | LÅSERING | LOCK RING |
| C-12 | 1 | 435638 | UDKASTERKLAP | REAR COVER |
| C-13 | 1 | 435639 | FJEDER | REAR COVER SPRING |
| C-14 | 1 | 435640 | AKSEL | REAR COVER SHAFT |
| C-15 | 1 | 435663 | FORSKÆRM | CLUTCH LEVER |
| C-16 | 4 | 434556 | SKRUE ST4.2X9.5 | SCREW ST4.2X9.5 |
| D-1 | 1 | 435641 | HÅNDTAG | HEIGHT ADJUSTMENT HANDLE |
| D-2 | 1 | 435642 | BAGAKSEL | REAR WHEEL SHAFT ASSY |
| D-3 | 4 | 419251 | FJEDERSKIVE | SPRING COLLAR |
| D-5A | 2 | 435644 | HJUL KPL. 7" | 7" WHEEL ASSY WITH BEARINGS |
| D-4 | 4 | 439382 | GLIDEBØS | SHAFT SLEEVE |

| POS | QTY | PARTNUMBER | BESKRIVELSE | DESCRIPTION |
|-------|-----|------------|---------------------------|----------------------------------|
| D-5 | 2 | 421766 | HJUL UDEN LEJER 175X50X12 | WHEEL 175X50X12 |
| D-6 | 4 | 419256 | MØTRIK M8 | NUT M8 |
| D-7 | 2 | 433239 | 7" HJULKAPSEL | 7" WHEEL COVER |
| D-8 | 1 | 439383 | KRAVE | SHAFT SLEEVE |
| D-9 | 4 | 421982 | BOLT M5X12 | BOLT M5X12 |
| D-10 | 1 | 439384 | KRAVE | SHAFT SLEEVE |
| D-11 | 1 | 435652 | FORAKSEL | FRONT WHEEL SHAFT |
| D-13A | 2 | 435653 | FORHJUL KPL. 6" | 6" WHEEL ASSY WITH BEARINGS |
| D-12 | 4 | 435654 | LEJE | PRECURSOR AXLE |
| D-13 | 2 | 435655 | FORHJUL 6" | 6" WHEEL |
| D-14 | 2 | 435656 | HJULKAPSEL | 6" OUTER WHEEL COVER |
| D-15 | 2 | 419350 | STÅLBOLT M6X12 | STEEL BOLT M6X12 |
| D-16 | 2 | 419273 | MØTRIK M6 | NUT M6 |
| D-17 | 1 | 419242 | SKIVE 8.5X16X1.54 | WASHER 8.5X16X1.54 |
| D-18 | 2 | 419258 | PIN | PIN |
| D-19 | 1 | 435657 | STANG HØJDEJUSTERING | HEIGHT ADJUSTMENT CONNECTING ROD |
| E-1 | 1 | 435658 | BØJLE | METAL BRACKET |
| E-2 | 4 | 419335 | SKIVE 5X32X1,2 | WASHER 5X32X1,2 |
| E-3 | 4 | 434556 | SKRUE ST4.2X9.5 | SCREW ST4.2X9.5 |
| E-4 | 1 | 435659 | PLADE | COVER PLATE |
| E-5A | 1 | 435660 | OPSAMLER KPL. | GRASS COLLECTOR |
| E-5 | 1 | 435661 | OPSAMLER TOP | PLASTIC COVER |
| E-6 | 1 | 439385 | OPSAMLER POSE | FABRIC BAG |