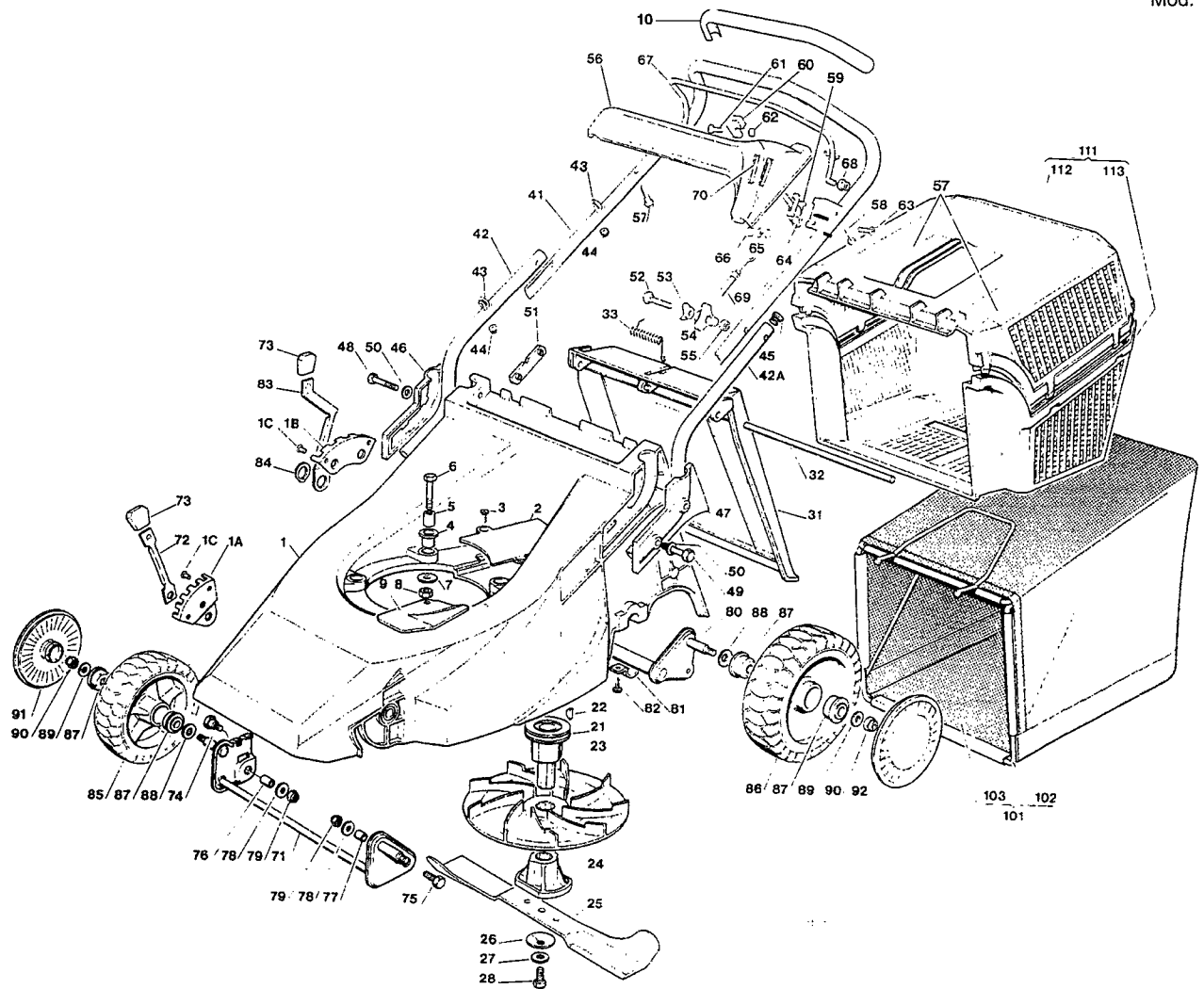


VISTE ESPLOSE
EXPLODED VIEWS

VUES ECLATEES
SPRENGZEICHNUNGEN Rapid 46 Collect

T 434
T 484

Mod. 1998



| Pos. Nr. | Codice Kodex Code | Descrizione | Description | Description | Beschreibung | Q.tà Q.té Q.té Menge |
|----------|-------------------|---------------------------|-----------------------|----------------------------|------------------------|----------------------|
| 1 | 81001415/1 | CHASSIS ROSSO T 434 | RED DECK T 434 | CHÂSSIS ROUGE T 434 | ROTES GEHÄUSE T 434 | 1 |
| — | 81001417/1 | CHASSIS GIALLO T 434 | YELLOW DECK T 434 | CHÂSSIS JAUNE T 434 | GELBES GEHÄUSE T 434 | 1 |
| — | 81001421/1 | CHASSIS VERDE T 434 | GREEN DECK T 434 | CHÂSSIS VERT T 434 | GRÜNES GEHÄUSE T 434 | 1 |
| — | 81001416/1 | CHASSIS ROSSO T 484 | RED DECK T 484 | CHÂSSIS ROUGE T 484 | ROTES GEHÄUSE T 484 | 1 |
| — | 81001418/1 | CHASSIS GIALLO T 484 | YELLOW DECK T 484 | CHÂSSIS JAUNE T 484 | GELBES GEHÄUSE T 484 | 1 |
| — | 81001422/1 | CHASSIS VERDE T 484 | GREEN DECK T 484 | CHÂSSIS VERT T 484 | GRÜNES GEHÄUSE T 484 | 1 |
| 1A | 22735535/0 | SETTORE REGOLAZIONE | ADJUSTMENT SECTOR | SECTEUR REGLAGE | VERSTELLUNGSEKTOR | 1 |
| 1B | 22735508/0 | SETTORE REGOLAZIONE | ADJUSTMENT SECTOR | SECTEUR REGLAGE | VERSTELLUNGSEKTOR | 1 |
| 1C | 12500070/0 | RIVETTO | RIVET | RIVET | NIETE | 3 |
| 2 | 22060171/0 | CARTER CINGHIA T 434 | BELT PROTECTION T 434 | PROTECTION COURROIRE T 434 | RIEMENSCHUTZ T 434 | 1 |
| — | 22060172/0 | CARTER CINGHIA T 484 | BELT PROTECTION T 484 | PROTECTION COURROIRE T 484 | RIEMENSCHUTZ T 484 | 1 |
| 3 | 12728680/0 | VITE | SCREW | VIS | SCHRAUBE | 2 |
| 4 | 22040265/0 | BUSSOLA | BUSH | DOUILLE | BUCHSE | 3 |
| 5 | 22167840/0 | DISTANZIALE | SPACER | ENTRETOISE | DISTANZRING | 3 |
| 6 | 12691800/0 | VITE | SCREW | VIS | SCHRAUBE | 3 |
| 7 | 12523070/0 | RONDELLA | WASHER | RONDELLE | SCHIBE | 3 |
| 8 | 12155000/0 | DADO | NUT | ECROU | MUTTER | 3 |
| 9 | 22484070/0 | PARACALORE | MUFFLER GUARD | GRILLE DE PROTECTION | SCHUTZABDECKUNG | 1 |
| 10 | 22291050/0 | IMPUGNATURA MANICO NEPA | BLACK HANDGRIP | POIGNÉE NOIRE | SCHWARZER HANDGRIFF | 1 |
| — | 22291051/0 | IMPUGNATURA MANICO ROSSA | RED HANDGRIP | POIGNÉE ROUGE | ROTER HANDGRIFF | 1 |
| — | 22291052/0 | IMPUGNATURA MANICO GIALLA | YELLOW HANDGRIP | POIGNÉE JAUNE | GELBER HANDGRIFF | 1 |
| 21 | 22465605/0 | MOZZO GIRANTE | HUB FAN | MOYEU VENTILATEUR | LAUFENDENABE | 1 |
| 22 | 12139100/0 | LINGUETTA | FEATHER | CLAVETTE | KEIL | 1 |
| 23 | 22245080/0 | GIRANTE | FAN | VENTILATEUR | LUEFTER | 1 |
| 24 | 22465604/0 | MOZZO | HUB | MOYEU | HALTER | 1 |
| 25 | 81004396/0 | COLTELLO ALETTATO 41 cm. | WINGED BLADE 41 cm. | LAME AILETTEE 41 cm. | FLÜGELMESSER 41 cm. | 1 |
| — | 81004341/2 | COLTELLO STANDARD 41 cm. | STANDARD BLADE 41 cm. | LAME STANDARD 41 cm. | STANDARD MESSER 41 cm. | 1 |
| — | 81004397/0 | COLTELLO ALETTATO 46 cm. | WINGED BLADE 46 cm. | LAME AILETTEE 46 cm. | FLÜGELMESSER 46 cm. | 1 |
| — | 81004346/2 | COLTELLO STANDARD 46 cm. | STANDARD BLADE 46 cm. | LAME STANDARD 46 cm. | STANDARD MESSER 46 cm. | 1 |
| 26 | 22160400/0 | DISCO ELASTICO | ELASTIC WASHER | RONDELLE ELASTIQUES | ELASTISCHE SCHEIBE | 1 |

| Pos. Nr. | Codice Kodex Code | Descrizione | Description | Description | Beschreibung | Q.tà Q.ty Q.tè Menge |
|----------|-------------------|----------------------------------|----------------------------------|----------------------------------|----------------------------------|-------------------------------|
| 27 | 12523080/0 | RONDELLA | WASHER | RONDELLE | SCHEIBE | 1 |
| 28 | 12736820/0 | VITE | SCREW | VIS | SCHRAUBE | 1 |
| 31 | 22600023/2 | PARASASSI | STONE-GUARD | PARE-PIERRES | PRALLBLECH | 1 |
| 32 | 22517907/0 | PERNO | PIN | PIVOT | BOLZEN | 1 |
| 33 | 22450270/0 | MOLLA | SPRING | RESSORT | FEDER | 1 |
| 41 | 81007020/0 | PARTE SUPERIORE MANICO | UPPER HANDLE | PARTIE SUP. MANCHERON | OBERHOLM | 1 |
| 42A | 81006917/0 | MANICO INFERIORE SX | LEFT LOWER HANDLE | PARTIE INF. MANCHERON G. | LINKER UNTERHOLM | 1 |
| 42 | 81007015/0 | MANICO INFERIORE DX | RIGHT LOWER HANDLE | PARTIE INF. MANCHERON D. | RECHTER UNTERHOLM | 1 |
| 43 | 22430309/0 | MOLLA | SPRING | RESSORT | FEDER | 2 |
| 44 | 12154330/0 | DADO | NUT | ECROU | MUTTER | 2 |
| 45 | 18566110/0 | PUNTALE | CAP | BOUCHON | GUMMISTOPFEN | 2 |
| 46 | 22600042/0 | PROTEZ. MANICO DX | RIGHT HANDLE PROT. | PROT. MANCHERON DROITE | RECHTER HOLMSCHUTZ | 1 |
| 47 | 22600043/0 | PROTEZ. MANICO SX | LEFT HANDLE PROT. | PROT. MANCHERON GAUCHE | LINKER HOLMSCHUTZ | 1 |
| 48 | 12691400/0 | VITE | SCREW | VIS | SCHRAUBE | 2 |
| 49 | 12691900/0 | VITE | SCREW | VIS | SCHRAUBE | 2 |
| 50 | 12521350/0 | RONDELLA | WASHER | RONDELLE | SCHEIBE | 4 |
| 51 | 22551632/1 | PIASTRINA FISSAGGIO MANICO | PLATE FOR HANDLE FASTENING | PLAQUETTE FIXAGE MANCHERON | HOLMBEFESTIGUNG PLÄTTCHEN | 2 |
| 52 | 12819120/0 | VITE | SCREW | VIS | SCHRAUBE | 2 |
| 53 | 22680006/1 | ROSETTA | WASHER | RONDELLE | SCHEIBE | 2 |
| 54 | 22399900/0 | MANOPOLINA | KNOB | POIGNÉE | GRIFF | 2 |
| 55 | 12293200/0 | DADO | NUT | ECROU | MUTTER | 2 |
| 56 | 22120150/0 | CRUSCOTTO ROSSO | RED DASH BOARD | CONSOLE ROUGE | ROTE KONSOLE | 1 |
| — | 22120148/0 | CRUSCOTTO GIALLO | YELLOW DASH BOARD | CONSOLE JAUNE | GELBE KONSOLE | 1 |
| — | 22120164/0 | CRUSCOTTO NERO | BLACK DASH BOARD | CONSOLE NOIRE | SCHWARZE KONSOLE | 1 |
| 57 | 22943006/0 | VITE | SCREW | VIS | SCHRAUBE | 1 |
| 58 | 12728460/0 | VITE | SCREW | VIS | SCHRAUBE | 1 |
| 59 | 81007138/0 | ASSIEME ACCELERATORE | TROTTLER UNIT ASS.Y | ENS. ACCELERATEUR | BESCHLEUNIGER SATZ | 1 |
| 60 | 22399801/0 | MANOPOLINA | KNOB | POIGNÉE | GRIFF | 1 |
| 61 | 12726388/0 | VITE | SCREW | VIS | SCHRAUBE | 1 |
| 62 | 12290800/0 | DADO | NUT | ECROU | MUTTER | 1 |
| 63 | 12788910/0 | VITE | SCREW | VIS | SCHRAUBE | 2 |
| 64 | 12523020/0 | RONDELLA | WASHER | RONDELLE | SCHEIBE | 2 |
| 65 | 12581500/0 | GROWER | GROWER | GROWER | FEDERRING | 2 |
| 66 | 12291000/0 | DADO | NUT | ECROU | MUTTER | 2 |
| 67 | 81003291/2 | ASS. LEVA FRENO MOTORE | BRAKE LEVER ASS.Y | ENS. LEVIER FREIN MOTEUR | MOTORBREMSEHEBEL | 1 |
| 68 | 22041966/0 | BUSSOLA | BUSH | DOUILLE | BUCHSE | 2 |
| 69 | — | ASS. CAVO FRENO MOTORE | THREAD MOTOR ASS.Y | CABLE FREIN MOTEUR | MOTORBREMSEKABEL | 1 |
| — | 81001106/2 | T 434 (QUANTUM XM) | T 434 (QUANTUM XM) | T 434 (QUANTUM XM) | T 434 (QUANTUM XM) | 1 |
| — | 81000638/0 | T 434 (HONDA GV 100) | T 43 (HONDA GV 100) | T 43 (HONDA GV 100) | T 43 (HONDA GV 100) | 1 |
| — | 81000622/2 | T 434-T 484 (TECUMSEH) | T 434-T 484 (TECUMSEH) | T 434-T 484 (TECUMSEH) | T 434-T 484 (TECUMSEH) | 1 |
| — | 810001105/1 | T 484 (QUANTUM XM-ES 40) | T 484 (QUANTUM XM-ES 40) | T 484 (QUANTUM XM-ES 40) | T 484 (QUANTUM XM-ES 40) | 1 |
| — | 81000639/0 | T 484 (HONDA GCV 135/160) | T 48 (HONDA GCV 135/160) | T 48 (HONDA GCV 135/160) | T 48 (HONDA GCV 135/160) | 1 |
| — | 81000621/1 | T 484 T 434 (SPRINT 375/QUATTRO) | T 484 T 434 (SPRINT 375/QUATTRO) | T 484 T 434 (SPRINT 375/QUATTRO) | T 484 T 434 (SPRINT 375/QUATTRO) | 1 |
| 70 | 14356692/0 | ETICHETTA (TECUMSEH) | LABEL (TECUMSEH) | ETIQUETTE (TECUMSEH) | ETIKETTE (TECUMSEH) | 1 |
| — | 14356693/0 | ETICHETTA (B&S) | LABEL (B&S) | ETIQUETTE (B&S) | ETIKETTE (B&S) | 1 |
| 71 | 81001408/0 | ASSE RUOTE ANT. T 434 | FRONT WHEELS AXLE T 434 | AXE ROUES AVANT T 434 | VORDERRADACHSE T 434 | 1 |
| — | 81001410/0 | ASSE RUOTE ANT. T 484 | FRONT WHEELS AXLE T 484 | AXE ROUES AVANT T 484 | VORDERRADACHSE T 484 | 1 |
| 72 | 22321502/0 | LEVA REGOLAZIONE | ADJUSTMENT LEVER | LEVIER REGLAGE | VERSTELLUNGHEBEL | 1 |
| 73 | 22400000/1 | MANOPOLINA | KNOB | POIGNÉE | GRIFF | 2 |
| 74 | 22519510/0 | PERNO | PIN | PIVOT | BOLZEN | 1 |
| 75 | 12691100/0 | VITE | SCREW | VIS | SCHRAUBE | 1 |
| 76 | 22170950/0 | DISTANZIALE DX | RIGHT SPACER | ENTRETOISE DROITE | RECHTER DISTANZRING | 1 |
| 77 | 22170940/0 | DISTANZIALE SX | LEFT SPACER | ENTRETOISE GAUCHE | LINKER DISTANZRING | 1 |
| 78 | 12523060/0 | ROSETTA | WASHER | RONDELLE | SCHEIBE | 2 |
| 79 | 12155000/0 | DADO | NUT | ECROU | MUTTER | 2 |
| 80 | 81001406/0 | ASSE RUOTE POST. | REAR WHEELS AXLE | AXE ROUES ARRIERE | HINTERRADACHSE | 1 |
| 81 | 22545152/0 | PIASTRINA | PLATE | PLAQUETTE | PLÄTTCHEN | 2 |
| 82 | 12735402/0 | VITE | SCREW | VIS | SCHRAUBE | 4 |
| 83 | 22321497/0 | LEVA REGOLAZIONE | ADJUSTMENT LEVER | LEVIER REGLAGE | VERSTELLUNGHEBEL | 1 |
| 84 | 12609260/0 | ANELLO ARRESTO | RING | ANNEAU DE TENNUE | RING | 1 |
| 85 | 81007317/0 | RUOTA SCOLPITA Ø 170 | KNOBBLY WHEEL Ø 170 | ROUE SCULPTEE Ø 170 | RAD M. STOLLENPR. Ø 170 | 2 |
| 86 | 81007318/1 | RUOTA SCOLPITA Ø 210 | KNOBBLY WHEEL Ø 210 | ROUE SCULPTEE Ø 210 | RAD M. STOLLENPR. Ø 210 | 2 |
| 87 | 22122200/0 | CUSCINETTO | BEARING | COUSSINET | KUGELLAGER | 8 |
| 88 | 12530150/0 | ROSETTA ELASTICA | ELASTIC WASHER | RONDELLE ELASTIQUE | ELASTISCHE SCHEIBE | 4 |
| 89 | 12521350/0 | ROSETTA | WASHER | RONDELLE | SCHEIBE | 4 |
| 90 | 12155000/0 | DADO | NUT | ECROU | MUTTER | 4 |
| 91 | 22110282/0 | COPRIMOZZO BIANCO | WHITE HUB CAP | COUVRE-MOYEU BLANC | WEIßE RADKAPPE | 2 |
| — | 22110288/0 | COPRIMOZZO GIALLO | YELLOW HUB CAP | COUVRE-MOYEU JAUNE | GELBE RADKAPPE | 2 |
| — | 22110290/0 | COPRIMOZZO ROSSO | RED HUB CAP | COUVRE-MOYEU ROUGE | ROTE RADKAPPE | 2 |
| 92 | 22110281/0 | COPRIMOZZO BIANCO | WHITE HUB CAP | COUVRE-MOYEU BLANC | WEIßE RADKAPPE | 2 |
| — | 22110287/0 | COPRIMOZZO GIALLO | YELLOW HUB CAP | COUVRE-MOYEU JAUNE | GELBE RADKAPPE | 2 |
| — | 22110289/0 | COPRIMOZZO ROSSO | RED HUB CAP | COUVRE-MOYEU ROUGE | ROTE RADKAPPE | 2 |
| 101 | 96400000/0 | ASS. SACCO IN TELA | CANVASS GRASSCATCHER ASS.Y | ENSEMBLE SAC EN TOILE | KOMPLETTER SACK | 1 |
| 102 | 81006430/0 | TELAIO | CHASSIS | CHÂSSIS | RAHMEN | 1 |
| 103 | 81002124/1 | TELA SACCO | FABRIC BOX | TOILE POUR SAC | TUCK FÜR SACK | 1 |
| 111 | 96500000/0 | SACCO COMPLETO | COMPLETE GRASS-BOX | SAC COMPLET | KOMPLETTER KORB | 1 |
| 112 | 22486065/0 | PARTE SUP. SACCO | UPPER GRASS-BOX | PARTIE SUP. SAC | OBERKORB | 1 |
| 113 | 22486064/0 | PARTE INF. SACCO | LOWER GRASS-BOX | PARTIE INF. SAC | UNTERKORB | 1 |
| — | 81008606/0 | DOTAZIONE VITERIA | SCREWS OUTFIT | DOTATION VISSERIE | SCHRAUBEN SATZ | 1 |
| — | 81008499/1 | DOTAZIONE CRUSCOTTO | DASH-BOARD OUTFIT | DOTATION CONSOLE | KONSOLE SATZ | 1 |