

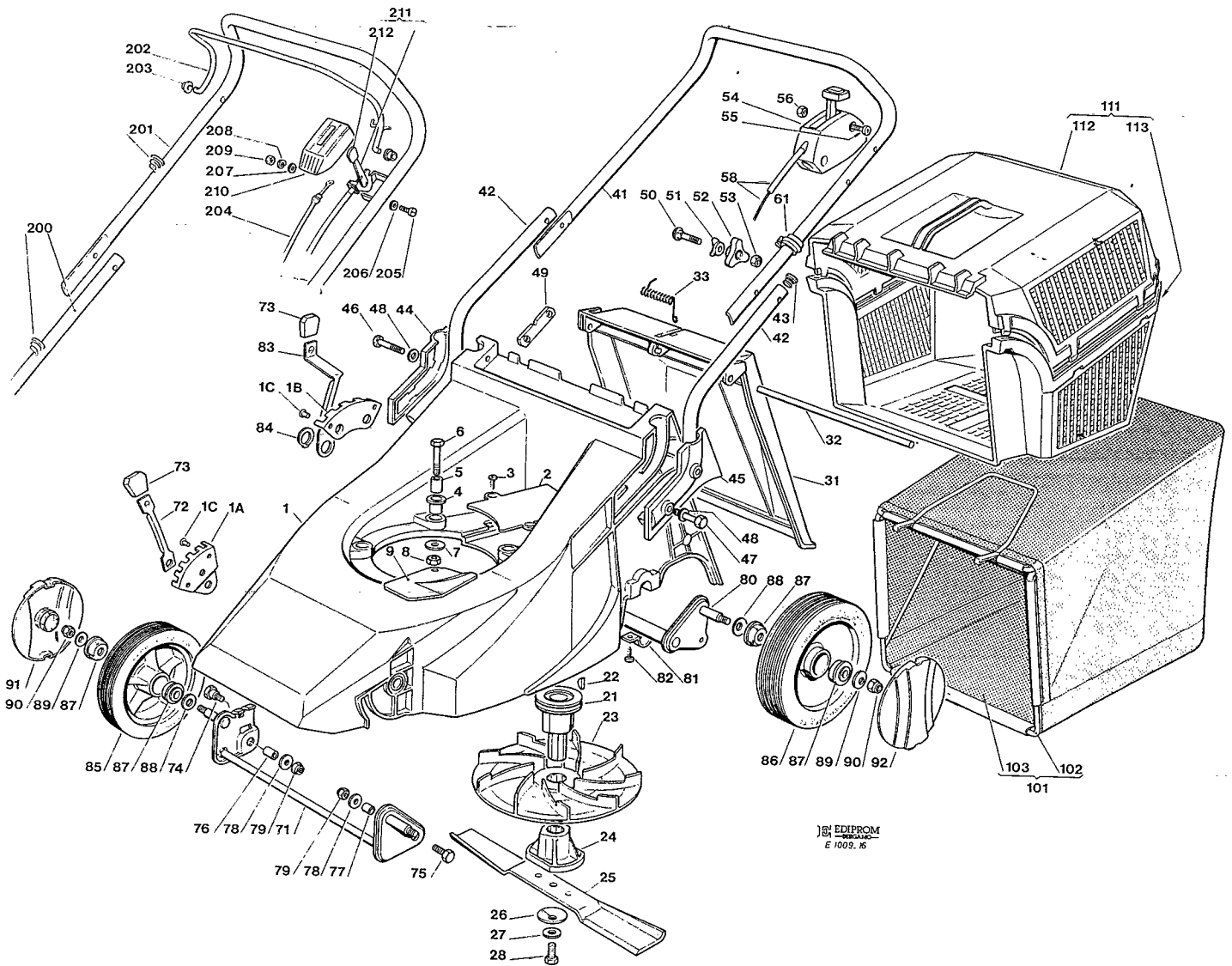
VISTE ESPLOSE  
EXPLODED VIEWS

VUES ECLATEES  
SPRENGZEICHNUNGEN  
1994

Rapid 460

T 434  
T 484

Mod. 1994



EDIPROM  
E 1009. 16

Pos. Nr.	Codice Kodex Code	Descrizione	Description	Description	Beschreibung	Q.tà Q.ty Q.tè Menge
1	81001415/0	CHASSIS ROSSO (T 434)	RED DECK (T 434)	CHASSIS ROUGE (T 434)	GEHÄUSE ROT (T 434)	1
1a	81001417/0	CHASSIS GIALLO (T 434)	YELLOW DECK (T 434)	CHASSIS JOUNE (T 434)	GEHÄUSE GELB (T 434)	1
1b	81001419/0	CHASSIS GRIGIO (T 434)	GREY DECK (T 434)	CHASSIS GRIS (T 434)	GEHÄUSE GRAU (T 434)	1
1c	81001421/0	CHASSIS VERDE (T 434)	GREEN DEK (T 434)	CHASSIS VERT (T 434)	GEHÄUSEGUEN (T434)	1
1	81001416/0	CHASSIS ROSSO (T 484)	RED DECK (T 484)	CHASSIS ROUGE (T 484)	GEHÄUSE ROT (T 484)	1
1a	81001418/0	CHASSIS GIALLO (T 484)	YELLOW DECK (T 484)	CHASSIS JOUNE (T 484)	GEHÄUSE GELB (T 484)	1
1b	81001420/0	CHASSIS GRIGIO (T 484)	GREY DECK (T 484)	CHASSIS GRIS (T 484)	GEHÄUSE GRAU (T 484)	1
1c	81001422/0	CHASSIS VERDE (T 484)	GREEN DEK (T 484)	CHASSIS VERT (T 484)	GEHÄUSE GUEN (T 484)	1
1A	22735535/0	SETTORE REGOLA.	ADJ. UNIT	SECTEUR	VERSTELLUNG SEKTOR	1
1B	22735508/0	SETTORE REGOLA.	ADJ. UNIT	SECTEUR	VERSTELLUNG SEKTOR	1
1C	12500070/0	RIVETTO	RIVET	RIVET	NIETE	3
2	22060171/0	CARTER (T 434)	DECK (T 434)	CHASSIS (T 434)	GEHÄUSE (T 484)	1
2A	22060172/0	CARTER (T 484)	DECK (T 484)	CHASSIS (T 484)	GEHÄUSE (T 484)	1
3	12728680/0	VITE	SCREW	VIS	SCHAUBE	2
4	22040265/0	BUSSOLA	BUSH	BOUILLE	HÜLSE	3
5	22167840/0	DISTANZIALE	SPACER	ENTRETOISE	ENTFERNUNGSSTÜCK	3
6	12691800/0	VITE	SCREW	VIS	SCHRAUBE	3
7	12523070/0	RONDELLA	WASHER	GROWER	SCHEIBE	3
8	12155000/0	DADO	NUT	ECROU	MUTTER	3
9	22484070/0	PARACALORE	MUFFLER GUARD	GRILLE DE PROTECTION	SCHUTZABDECKUNG	1

Pos. Nr.	Codice Kodex Code	Descrizione	Description	Description	Beschreibung	Q.tà Q.ty Q.tè Menge
21	22465605/0	MOZZO GIRANTE (PP Ø22)	HUB FAN (P.T.O. Ø22)	MOYEU VENTILATEUR (P.F. Ø22)	HALTER LUEFTER (M.W. Ø22)	1
21/A	22465606/0	MOZZO GIRANTE (PP Ø25)	HUB FAN (P.T.O. Ø25)	MOYEU VENTILATEUR (P.F. Ø25)	HALTER LUEFTER (M.W. Ø25)	1
22	12139100/0	LINGUETTA (PP Ø22)	FEATHER (P.T.O. Ø22)	CLAVETTE (P.F. Ø22)	KEIL (M.W. Ø22)	1
22A	12139150/0	LINGUETTA (PP Ø25)	FEATHER (P.T.O. Ø25)	CLAVETTE (P.F. Ø25)	KEIL (M.W. Ø25)	1
23	22245080/0	GIRANTE	FAN	VENTILATEUR	LUEFTER	1
24	22465604/0	MOZZO	HUB	MOYEU	HALTER	1
25	81004341/0	COLTELLO STANDARD 41 CM	STANDARD BLADE 41 CM	LAME STANDARD 41 CM	STANDARD MESSER 41 CM	1
25A	81004396/0	COLTELLO ALETTATO 41 CM	WINGS BLADE 41 CM	LAME À AILETTES 41 CM	FLUEGEL MESSER 41 CM	1
25B	81004346/0	COLTELLO STANDARD 46 CM	STANDARD BLADE 46 CM	LAME STANDARD 46 CM	STANDARD MESSER 46 CM	1
25C	81004397/0	COLTELLO ALETTATO 46 CM	WINGS BLADE 46 CM	LAME À AILETTES 46 CM	FLUEGEL MESSER 46 CM	1
26	22160400/0	DISCO ELASTICO	ELASTIC WASHER	RONDELLE ELASTIQUE	ELASTISCHE SCHEIBE	1
27	12523080/0	RONDELLA	WASHER	RONDELLE	SCHEIBE	1
28	12736820/0	VITE	SCREW	VIS	SCHRAUBE	1
31	22600023/1	PARASSASSI	STONE GUARD	PARE-PIERRES	PRALLBLECH	1
32	22517907/0	PERNO	PIN	PIVOT	BOLZEN	1
33	22450270/0	MOLLA	SPRING	GAUCHE	FEDER	1
41	81006950/0	MANICO SUP.	UPPER HANDLE	PARTIE SUP. MANCHERON	OVERHOLM	1
42	81006917/0	MANICO INF.	LOWER HANDLE	PARTIE INF. MANCHERON	UNTERHOLM	2
43	18566110/0	PUNTALE	CAP	BOUCHON	GUMMISTOPFEN	2
44	22600042/0	PROTEZ. MANICO DX	RIGHT HANDLE PROT.	PROT. MANCHERON DX	HOLM SCHUTZ RECHTS	1
45	22600043/0	PROTEZ. MANICO SX	LEFT HANDLE PROT.	PROT. MANCHERON SX	HOLM SCHUTZ LINKS	1
46	12691400/0	VITE	SCREW	VIS	SCHRAUBE	2
47	12691900/0	VITE	SCREW	VIS	SCHRAUBE	2
48	12521350/0	RONDELLA	WASHER	GROWER	SCHEIBE	4
49	22551632/0	PIASTRINA FISSAGGIO MANICO	PLATE FOR HANDLE FASTENING	PLAQUETTE FIXAGE MANCHERON	HOLMBEFESTIGUNG PLÄTTCHEN	2
50	12819120/0	VITE	SCREW	VIS	SCHRAUBE	2
51	22680006/1	ROSETTA	WASHER	RONDELLE	SCHEIBE	2
52	22399900/0	MANOPOLINA	KNOB	POIGNÉE	GRIFF	2
53	12293200/0	DADO	NUT	ECROU	MUTTER	2
54	81007062/0	ASS. ACCELERATORE	THROTTLE	ACCELERATEUR	BESCHLEUNIGER	1
55	12727792/0	VITE	SCREW	VIS	SCHRAUBE	2
56	12292100/0	DADO	NUT	ECROU	MUTTER	1
58	81007156/0	ASS. FILO + GUAINA	CABLE + THREAD ASSY	ENSEMBLE CABLE + GAINÉ	KABEL + MANTEL SATZ	1
61	22192000/1	FASCETTA ANCORAGGIO	ANCHOR CLAMP	COLLIER ANCRAGE	BOWEDENZUGHATER	1
71	81001408/0	ASSE RUOTE ANT. T 434	FRONT WHEEL AXLE T 434	AXE ROUES AVANT T 434	VORRAD ACHSE T 434	1
71A	81001410/0	ASSE RUOTE ANT. T 484	FRONT WHEEL AXLE T 484	AXE ROUES AVANT T 484	VORRAD ACHSE T 484	1
72	22321502/0	LEVA REGOLAZIO.	ADJ. LEVER	LEVIER REGLAGE	HEBEL	1
73	22400000/0	MANOPOLINA	KNOB	POIGNÉE	GRIFF	2
74	22519510/0	PERNO	PIN	PIVOT	BOLZEN	1
75	12668700/0	VITE	SCREW	VIS	SCHRAUBE	1
76	22170950/0	DISTANZIALE DX	SPACER DX	ENTRETOISE DX	DISTANZRING DX	1
77	22170940/0	DISTANZIALE SX	SPACER SX	ENTRETOISE SX	DISTANZRING SX	1
78	12523060/0	ROSETTA	WASHER	RONDELLE	SCHEIBE	2
79	12155000/0	DADO	NUT	ECROU	MUTTER	2
80	81001406/0	ASS. RUOTE POST.	REAR WHEEL AXLE	AXE ROUES ARRIERE	HINTERRADACHSE	1
81	22545152/0	PIASTRINA	PLATE	PLAQUETTE	PLÄTTCHEN	2
82	12735402/0	VITE	SCREW	VIS	SCHRAUBE	4
83	22321497/0	LEVA REGOLAZIONE	ADJ LEVER	LEVIER REGLAGE	HEBEL	1
84	12609260/0	ANELLO ARRESTO	RING	ANNEAU DE TENNUE	RING	1
85	81007311/0	RUOTA Ø170 NERA	BLACK Ø170 WHEEL	ROUE Ø170 NOIRE	SCHWARZE Ø170 RAD	2
86	81007313/0	RUOTA Ø210 NERA	BLACK Ø210 WHEEL	ROUE Ø210 NOIRE	SCHWARZE Ø210 RAD	2
87	22122200/0	CUSCINETTO	BEARING	COUSSINET	KUEGELLAGER	8
88	12530150/0	ROSETTA ELASTICA	ELASTIC WASHER	RONDELLE ELASTIQUE	ELASTISCHE SCHEIBE	4
89	12521350/0	ROSETTA	WASHER	RONDELLE	SCHEIBE	4
90	12155000/0	DADO	NUT	ECROU	MUTTER	4
91	22110252/0	COPRIMOZZO BIANCO	WHITE HUB CAP	COUVRE MOYEU BLANCHE	WEISSE RADKAPPE	2
91A	22110254/0	COPRIMOZZO GIALLO	YELLOW HUB CUP	COUVRE MOYEU JAUNE	GELBE RADKAPPE	2
92	22110251/0	COPRIMOZZO BIANCO	WHITE HUB CAP	COUVRE MOYEU BLANCHE	WEISSE RADKAPPE	2
92A	22110253/0	COPRIMOZZO GIALLO	YELLOW HUB CUP	COUVRE MOYEU JAUNE	GELBE RADKAPPE	2
101	96400000/0	ASS. SACC IN TELA	CANVASS GRASSCATCHER ASSY	ENSEMBLE SAC EN TOILE	KOMPLETTER SACK	1
102	81006430/0	TELAIO	CHASSIS	CHASSIS	RAHMEN	1
103	81002121/0	TELA SACCO	FABRIC BOX	TOILE POUR SAC	TUCK FUER SACK	1
111	96500000/0	SACCO COMPLETO	COMPLETE GRASS-BOX	BAC COMPLET	KOMPLETTER KORB	1
112	22486065/0	PORTE SUP. SACCO	UPPER GRASSBOX	PARTIE SUP. BAC	KORB OBERTEIL	1
113	22486064/0	PORTE INF. SACCO	LOWER GRASSBOX	PARTIE INF. BAC	KORB UNTERTEIL	1
115	12521350/0	RONDELLA	WASHER	RONDELLE	SCHEIBE	2
--	81008584/0	DOTAZIONE VITERIA	SCREWS OUTFIT	DOTATION VISSERIE	SCHRAUBEN SATZ	1

	VARIANTI FRENO MOTORE E AVVIAMENTO SU MANICO	VARIANTS FOR ENGINE BRAKE AND STARTING ON HANDLE	VARIATIONS POUR FREIN-MOTEUR ET DÉMARRAGE SUR MANCHERON	ÄNDERUNGEN FÜR MOTORBREMSE UND ANLASSEN AUF HOLM		
200	81006954/0	PARTE INF. MANICO	LOWER HANDLE	PARTIE INF. MANCHERON	UNTERHOLM	1
201	81006965/0	PARTE SUP. MANICO	UPPER HANDLE	PARTIE SUP. MANCHERON	OVERHOLM	1
202	81003289/0	ASS. LEVA FRENO MOTORE	BRAKE LEVER ASSY	LEVIER FREIN MOTEUR	MOTORBREMSEHEBEL	1
203	22041966/0	BUSSOLA	BUSH	DOUILLE	BÜCHSE	2
204	81000620/0	ASS. CAVO FRENO MOTORE T 434 (SPRINT 375)	THREAD MOTOR BRAKE ASSY T 434 (SPRINT 375)	CABLE FREIN MOTEUR T 434 (SPRINT 375)	MOTORBREMSEKABEL T 434 (SPRINT 375)	1
204A	81001106/1	ASS. CAVO FRENO MOTORE T 434 (QUANTUM XM)	THREAD MOTOR BRAKE ASSY T 434 (QUANTUM XM)	CABLE FREIN MOTEUR T 434 (QUANTUM XM)	MOTORBREMSEKABEL T 434 (QUANTUM XM)	1
204B	81000622/0	ASS. CAVO FRENO MOTORE T 434-484 (TECUMSEH)	THREAD MOTOR BRAKE ASSY T 434-484 (TECUMSEH)	CABLE FREIN MOTEUR T 434-484 (TECUMSEH)	MOTORBREMSEKABEL T 434-484 (TECUMSEH)	1
204C	81000621/0	ASS. CAVO FRENO MOTORE T 484 (SPRINT 375)	THREAD MOTOR BRAKE ASSY T 484 (SPRINT 375)	CABLE FREIN MOTEUR T 484 (SPRINT 375)	MOTORBREMSEKABEL T 484 (SPRINT 375)	1
204D	81001105/0	ASS. CAVO FRENO MOTORE T 484 (QUANTUM XM)	THREAD MOTOR BRAKE ASSY T 484 (QUANTUM XM)	CABLE FREIN MOTEUR T 484 (QUANTUM XM)	MOTORBREMSEKABEL T 484 (QUANTUM XM)	1
205	12791400/0	VITE	SCREW	VIS	SCHRAUBE	2
206	12521330/0	RONDELLA	WASHER	RONDELLE	SCHEIBE	2
207	12523040/0	RONDELLA	WASHER	RONDELLE	SCHEIBE	2
208	12582100/0	GROWER	GROWER	GROWER	MUTTER	2
209	12292100/0	DADO	NUT	ECROU	MUTTER	2
210	22120142/0	CRUSCOTTO	DASH BOARD	CONSOLE	KONSOLE	1
211	22394640/3	MANOPOLINA	KNOB	POIGNÉE	GRIFF	1
212	81007048/0	ASS. ACCELERATORE + MANOP.	THROTTLE UNIT + KNOBP	ENS. ACCELERATEUR + POIGNÉE	BESCHLEUNIGER + GRIFF	1