

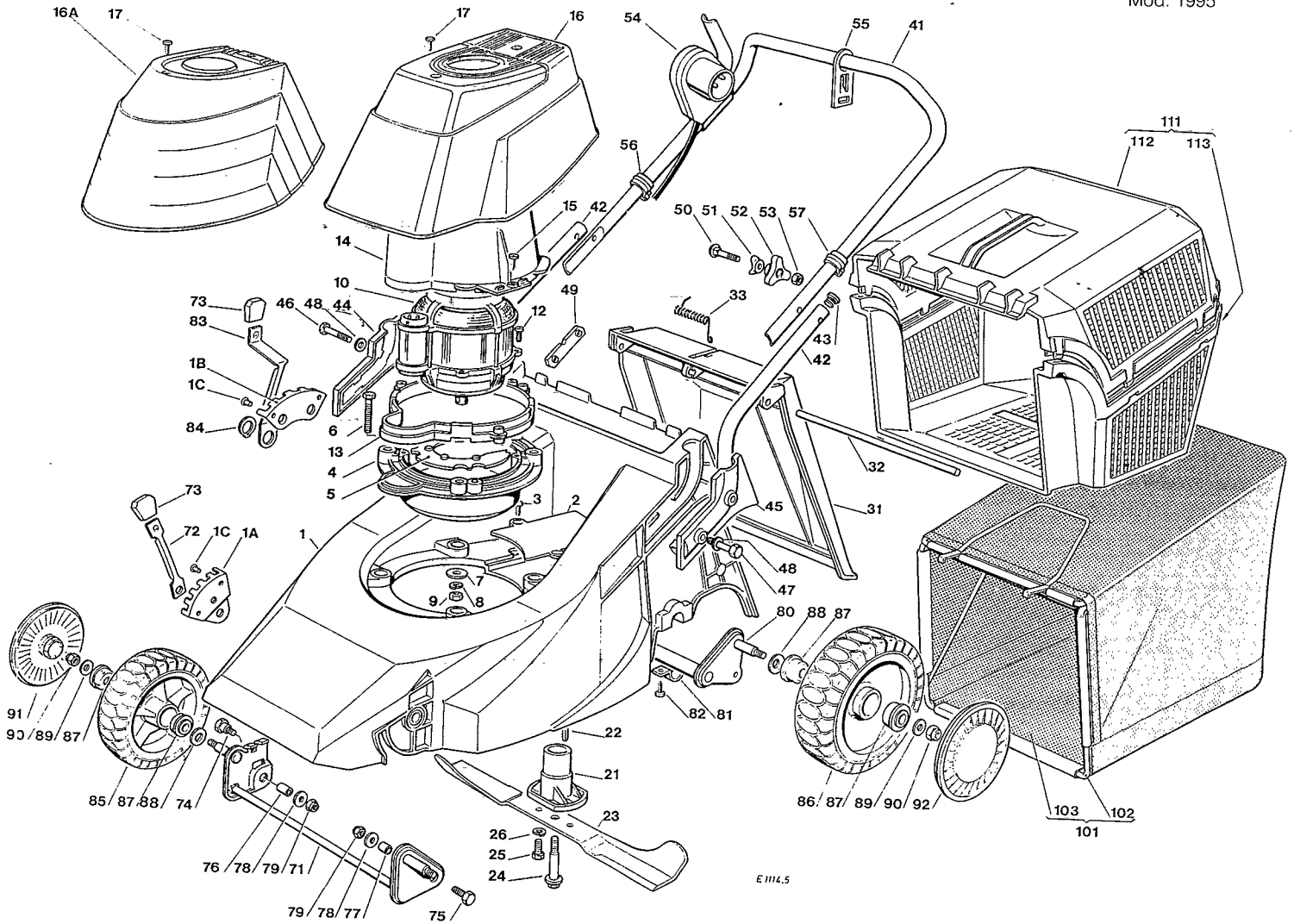
VISTE ESPLOSE  
EXPLODED VIEWS

VUES ECLATEES  
SPRENGZEICHNUNGEN

Rapid 410 E

T 430  
T 430 S  
T 480

Mod. 1995



Pos. Nr.	Codice Kodex Code	Descrizione	Description	Description	Beschreibung	Q.tà Q.ty Q.té Menge
1	81001415/0	CHASSIS ROSSO (T 430)	RED DECK (T 430)	CHASSIS ROUGE (T 430)	ROT GEHÄUSE (T 430)	1
—	81001417/0	CHASSIS GIALLO (T 430)	YELLOW DECK (T 430)	CHASSIS JAUNE (T 430)	GELB GEHÄUSE (T 430)	1
—	81001421/0	CHASSIS VERDE (T 430)	GREEN DECK (T 430)	CHASSIS VERT (T 430)	GUEN GEHÄUSE (T 430)	1
—	81001416/0	CHASSIS ROSSO (T 480)	RED DECK (T 480)	CHASSIS ROUGE (T 480)	ROT GEHÄUSE (T 480)	1
—	81001418/0	CHASSIS GIALLO (T 480)	YELLOW DECK (T 480)	CHASSIS JAUNE (T 480)	GELB GEHÄUSE (T 480)	1
—	81001422/0	CHASSIS VERDE (T 480)	GREEN DECK (T 480)	CHASSIS VERT (T 480)	GUEN GEHÄUSE (T 480)	1
1A	22735535/0	SETTORE REGOLAZIONE	ADJUSTERS SECTOR	SECTEUR REGLAGE	VERSTELLUNGSSEKTOR	1
1B	22735508/0	SETTORE REGOLAZIONE	ADJUSTERS SECTOR	SECTEUR REGLAGE	VERSTELLUNGSSEKTOR	1
1C	12500070/0	RIVETTO	RIVET	RIVET	NIETE	3
2	22060171/0	CARTER (T 430)	DECK (T 430)	CHASSIS (T 430)	CHASSIS (T 430)	1
—	22060172/0	CARTER (T 480)	DECK (T 480)	CHASSIS (T 480)	CHASSIS (T 480)	1
3	12728680/0	VITE	SCREW	VIS	SCHRAUBE	2
4	22207202/1	FLANGIA	FLANGE	BRIDE	FLANSCH	1
5	22720360/1	SCHERMO VENTILAZIONE	VENTILATION SCREEN	ECRAU VENTILATION	ÜFTUNGSSCHIRM	1
6	12691600/0	VITE	SCREW	VIS	SCHRAUBE	4
7	12523070/0	RONDELLA	WASHER	RONDELLE	SCHIBE	4
8	12583500/0	GROWER	GROWER	GROWER	FEDERRING	4
9	12293200/0	DADO	NUT	ECROU	MUTTER	4
10	18563062/0	MOTORE IBMEI 1100W (230V)	IBMEI MOTOR 1100W (230V)	MOTEUR IBMEI 1100W (230V)	MOTOR IBMEI 1100W (230V)	1
—	18563002/0	MOTORE RST 1100W (220-230V)	RST MOTOR 1100W (220-230V)	MOTEUR RST 1100W (220-230V)	MOTOR RST 1100W (220-230V)	1
—	18563042/0	MOTORE IBMEI 1100W (240V)	IBMEI MOTOR 1100W (240V)	MOTEUR IBMEI 1100W (240V)	MOTOR IBMEI 1100W (240V)	1
—	18563061/0	MOTORE IBMEI 1500W (230V)	IBMEI MOTOR 1500W (230V)	MOTEUR IBMEI 1500W (230V)	MOTOR IBMEI 1500W (230V)	1
—	18563006/0	MOTORE RST 1500W (220-230V)	RST MOTOR 1500W (220-230V)	MOTEUR RST 1500W (220-230V)	MOTOR RST 1500W (220-230V)	1
—	18563047/0	MOTORE IBMEI 1500W (240V)	IBMEI MOTOR 1500W (240V)	MOTEUR IBMEI 1500W (240V)	MOTOR IBMEI 1500W (240V)	1

Pos. Nr.	Codice Kodex Code	Descrizione	Description	Description	Beschreibung	Q.tà Q.ty Q.tè Menge
10A	18740051/0	VENTOLA	FAN	VENTILATEUR	LÜFTER	1
10B	18222036/0	CONDENSATORE 12 µF	CONDENSER 12 µF	CONDENSEUR 12 µF	KONDENSATOR 12 µF	1
—	18222037/0	CONDENSATORE 16 µF	CONDENSER 16 µF	CONDENSEUR 16 µF	KONDENSATOR 16 µF	1
—	12735410/0	VITE	SCREW	VIS	SCHRAUBE	4
13	22174006/1	DISTANZIALE	SPACER	ENTRETOISE	DISTANZRING	1
14	22785060/0	SUPPORTO CAPOTTINA	COVER SUPPORT	SUPPORT CAPOT	HAUBEHALTER	1
15	12728710/0	VITE	SCREW	VIS	SCHRAUBE	4
16	81002059/0	CAPOTTINA	COVER	CAPOT	HAUSE	1
—	81002057/0	ASS. CAPOTTINA	COVER ASS.Y	ENS. CAPOT	KOMPLETTE HAUSE	1
17	12728680/0	VITE	SCREW	VIS	SCHRAUBE	2
21	22463187/1	MOZZO	HUB	MOYEU	HALTER	1
22	12139440/0	LINGUETTA	FEATHER	CLAVETTE	KEIL	1
23	81004396/0	COLTELLO ALETTATO (41 cm.)	WINGS BLADE (41 cm.)	LAME À AILETTES (41 cm.)	FLUEGEL MESSER (41 cm.)	1
—	81004341/2	COLTELLO STANDARD (41 cm.)	STANDARD BLADE (41 cm.)	LAME STANDARD (41 cm.)	STANDARD MESSER (41 cm.)	1
—	81004397/0	COLTELLO ALETTATO (46 cm.)	WINGS BLADE (46 cm.)	LAME À AILETTES (46 cm.)	FLUEGEL MESSER (46 cm.)	1
—	81004346/2	COLTELLO STANDARD (46 cm.)	STANDARD BLADE (46 cm.)	LAME STANDARD (46 cm.)	STANDARD MESSER (46 cm.)	1
24	81004353/1	VITE	SCREW	VIS	SCHRAUBE	1
25	12793101/0	VITE	SCREW	VIS	SCHRAUBE	1
26	12583500/0	GROWER	GROWER	GROWER	FEDERRING	2
31	22600023/1	PARASASSI	STONE-GUARD	PARE-PIERRES	PRALLBLECH	1
32	22517907/0	PERNO	PIN	PIVOT	BOLZEN	1
33	22450270/0	MOLLA	SPRING	RESSORT	FEDER	1
41	81006945/0	MANICO INFERIORE	UPPER HANDLE	PARTIE SUP. MANCHERON	HOLMOBERTEIL	1
42	81006917/0	MANICO SUPERIORE	LOWER HANDLE	PARTIE INF. MANCHERON	HOLMUNTERTEIL	1
43	18566110/0	PUNTALE	CAP	BOUCHON	GUMMISTOPFEN	2
44	22600042/0	PROTEZ. MANICO DX	RIGHT HANDLE PROT.	PROT. MANCHERON DX	HOLM SCHUTZ RECHTS	1
45	22600043/0	PROTEZ. MANICO SX	LEFT HANDLE PROT.	PROT. MANCHERON SX	HOLM SCHUTZ LINFS	1
46	12691400/0	VITE	SCREW	VIS	SCHRAUBE	2
47	12691900/0	VITE	SCREW	VIS	SCHRAUBE	2
48	12521350/0	RONDELLA	WASHER	RONDELLE	SCHIBE	4
49	81005102/0	PIASTRINA FISSAGGIO MANICO	PLATE FOR HANDLE FASTENING	PLAQUETTE FIXAGE MANCHERON	HOLMBEFESTIGUNG PLÄTTCHEN	1
49A	22551632/0	PIASTRINA FISSAGGIO MANICO	PLATE FOR HANDLE FASTENING	PLAQUETTE FIXAGE MANCHERON	HOLMBEFESTIGUNG PLÄTTCHEN	1
50	12819120/0	VITE	SCREW	VIS	SCHRAUBE	2
51	22680006/0	ROSETTA	WASHER	RONDELLE	SCHIBE	2
52	22399900/0	MANOPOLINA	KNOB	POIGNÉE	GRIFT	2
53	12293200/0	DADO	NUT	ECROU	MUTTER	2
54	18710561/0	SALVAMOTORE M.M. 7 AMP. 602 MS (1100W)	DEAD HAND SWITCH 7 AMP. 602 MS (1100W)	INT. MAIN MORTE 7 AMP. 602 MS (1100W)	TOT MANSCHALTER 7 AMP. 602 MS (1100W)	1
—	18710620/0	SALVAMOTORE M.M. 7 AMP. 607 MS (1100W)	DEAD HAND SWITCH 7 AMP. 607 MS (1100W)	INT. MAIN MORTE 7 AMP. 607 MS (1100W)	TOT MANSCHALTER 7 AMP. 607 MS (1100W)	1
—	18710608/0	SALVAMOTORE M.M. 7 AMP. 603 MS (1100W)	DEAD HAND SWITCH 7 AMP. 603 MS (1100W)	INT. MAIN MORTE 7 AMP. 603 MS (1100W)	TOT MANSCHALTER 7 AMP. 603 MS (1100W)	1
—	18710604/0	SOLO PER SVIZZERA SALVAMOTORE M.M. 10 AMP. 602 MS (1500W IBMEI)	ONLY FOR SWITZERLAND DEAD HAND SWITCH 10 AMP. 602 MS (1500W IBMEI)	SEULEMENT POUR LA SUISSE INT. MAIN MORTE 10 AMP. 602 MS (1500W IBMEI)	NUR FÜR SCHWEIZ TOT MANSCHALTER 10 AMP. 602 MS (1500W IBMEI)	1
—	18710610/0	SALVAMOTORE M.M. 9,5 AMP. 602 MS (1500W RST)	DEAD HAND SWITCH 9,5 AMP. 602 MS (1500W RST)	INT. MAIN MORTE 9,5 AMP. 602 MS (1500W RST)	TOT MANSCHALTER 9,5 AMP. 602 MS (1500W RST)	1
—	18710623/0	SALVAMOTORE M.M. 9,5 607 MS (1500W)	DEAD HAND SWITCH 9,5 607 MS (1500W)	INT. MAIN MORTE 9,5 607 MS (1500W)	TOT MANSCHALTER 9,5 607 MS (1500W)	1
—	18710572/0	SALVAMOTORE M.M. 10 AMP. 603 MS (1500W IBMEI)	DEAD HAND SWITCH 10 AMP. 603 MS (1500W IBMEI)	INT. MAIN MORTE 10 AMP. 603 MS (1500W IBMEI)	TOT MANSCHALTER 10 AMP. 603 MS (1500W IBMEI)	1
—	18710609/0	SOLO PER SVIZZERA SALVAMOTORE M.M. 9,5 603 MS (1500W RST)	ONLY FOR SWITZERLAND DEAD HAND SWITCH 9,5 603 MS (1500W RST)	SEULEMENT POUR LA SUISSE INT. MAIN MORTE 9,5 603 MS (1500W RST)	NUR FÜR SCHWEIZ TOT MANSCHALTER 9,5 603 MS (1500W RST)	1
55	22195101/1	FERMACAVO	FAIR LEAD	FIXATION CABLE	KABELBEFESTIGUNG	1
56	22192000/1	FASCETTA ANCORAGGIO	ANCHOR CLAMP	COLLIER ANCRAGE	BOWDENZUGHALTER	1
57	22192150/0	FERMACAVO	FAIR LEAD	FIXATION CABLE	KABELBEFESTIGUNG	1
71	81001408/0	ASSE RUOTE ANT. (T 430)	FRONT WHEEL AXLE (T 430)	AXE ROUES AVANT (T 430)	VORDERRADACHSE (T 430)	1
—	81001410/0	ASSE RUOTE ANT. (T 480)	FRONT WHEEL AXLE (T 480)	AXE ROUES AVANT (T 480)	VORDERRADACHSE (T 480)	1
72	22321502/0	LEVA REGOLAZIONE	ADJUSTMENT LEVER	LEVIER REGLAGE	VERSTELLUNGHEBEL	1
73	22400000/1	MANOPOLINA	KNOB	POIGNÉE	GRIFT	1
74	22519510/0	PERNO	PIN	PIVOT	BOLZEN	2
75	12668700/0	VITE	SCREW	VIS	SCHRAUBE	1
76	22170950/0	DISTANZIALE DX	SPACER DX	ENTRETOISE DX	DISTANZRING DX	1
77	22170940/0	DISTANZIALE SX	SPACER SX	ENTRETOISE SX	DISTANZRING SX	1
78	12523060/0	ROSETTA	WASHER	RONDELLE	SCHIBE	2
79	12155000/0	DADO	NUT	ECROU	MUTTER	2
80	81001406/0	ASSE RUOTE POST.	REAR WHEEL AXLE	AXE ROUES ARRIERE	HINTERRADACHSE	1
81	22545152/0	PIASTRINA	PLATE	PLAQUETTE	PLATTE	2
82	12735402/0	VITE	SCREW	VIS	SCHRAUBE	4
83	22321497/0	LEVA REGOLAZIONE	ADJUSTMENT LEVER	LEVIER REGLAGE	VERSTELLUNGHEBEL	1
84	12609260/0	ANELLO ARRESTO	RING	ANNEAU DE TENNUE	RING	1
85	81007317/0	RUOTA SCOLPITA Ø 170	KNOBBL Y WHEEL Ø 170	ROUE SCULPTEE Ø 170	RAD M. STOLLENPR. Ø 170	2
86	81007318/0	RUOTA SCOLPITA Ø 210	KNOBBL Y WHEEL Ø 210	ROUE SCULPTEE Ø 210	RAD M. STOLLENPR. Ø 210	2
87	22122200/0	CUSCINETTO	BEARING	ROULEMENT	KUGELLAGER	8
88	12530150/0	ROSETTA ELASTICA	ELASTIC WASHER	RONDELLÉ ELASTIQUE	ELASTISCHE SCHIBE	4
89	12521350/0	ROSETTA	WASHER	RONDELLE	SCHIBE	4
90	12155000/0	DADO	NUT	ECROU	MUTTER	4
91	22110282/0	COPRIMOZZO BIANCO	WHITE HUB CAP	COUVRE-MOYEU BLANCHE	WEISSE RADKAPPE	2
—	22110288/0	COPRIMOZZO GIALLO	YELLOW HUB CAP	COUVRE-MOYEU JAUNE	GELB RADKAPPE	2
92	22110281/0	COPRIMOZZO BIANCO	WHITE HUB CAP	COUVRE-MOYEU BLANCHE	WEISSE RADKAPPE	2
—	22110287/0	COPRIMOZZO GIALLO	YELLOW HUB CAP	COUVRE-MOYEU JAUNE	GELB RADKAPPE	2
101	96400000/0	ASS. SACCO IN TELA	CANVASS GRASSCATCHER ASS.Y	ENSEMBLE SAC EN TOILE	KOMPLETTER SACK	1
102	81006430/0	TELAIO	CHASSIS	CHASSIS	RAHMEN	1
103	81002121/0	TELA SACCO	FABRIC BOX	TOILE POUR SAC	TUCK FÜR SACK	1
111	96500000/0	SACCO COMPLETO	COMPLETE GRASS-BOX	SAC COMPLET	KOMPLETTER KORB	1
112	22486065/0	PARTE SUP. SACCO	UPPER GRASS-BOX	PARTIE SUP. SAC	KORB OBERTEIL	1
113	22486064/0	PARTE INF. SACCO	LOWER GRASS-BOX	PARTIE INF. SAC	KORB UNTERTEIL	1
115	12521350/0	RONDELLA	WASHER	RONDELLE	SCHIBE	2
—	81008594/0	DOTAZIONE VITERIA	SCREWS OUTFIT	DOTATION VISSERIE	SCHRAUBEN SATZ	1