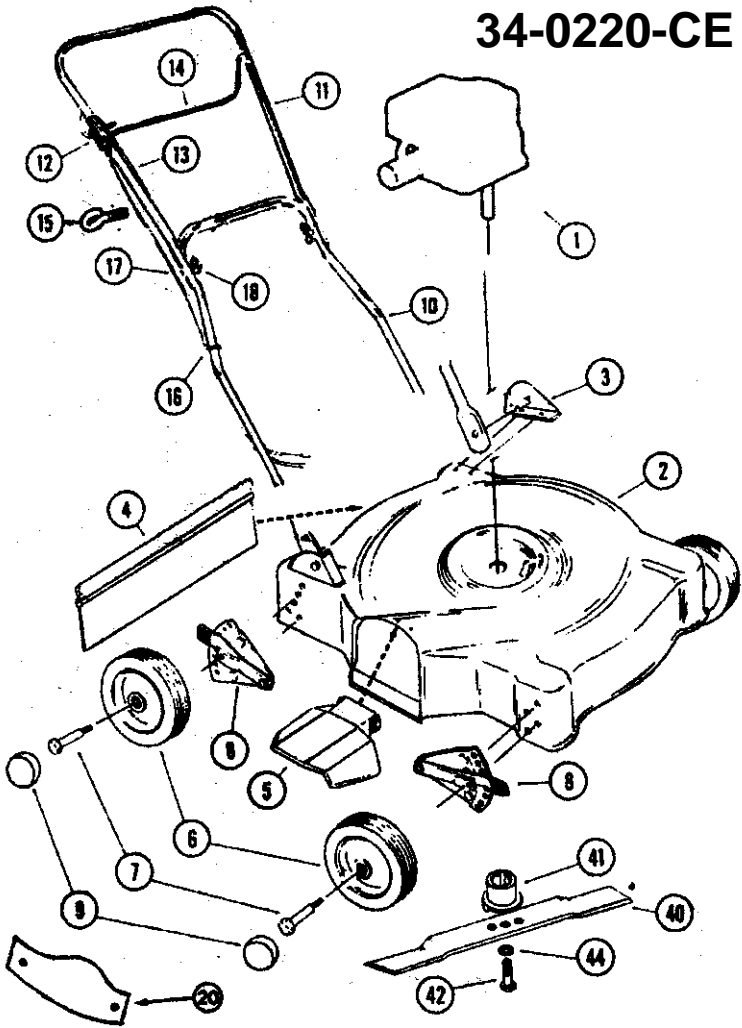
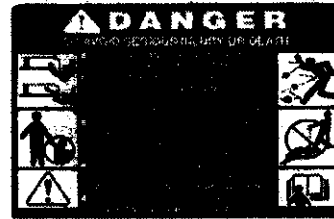


PARK 50 S COMBI & RAPID 20 COMBI

34-0220-CE



2000-M-6



60

2000-M-6

REF NO.	PART NO.	DESCRIPTION
1	—	Engine (See Engine Manual)
2	5602402	Base, 20"
3	6302208	Handle Bracket (Left)
	6302209	Handle Bracket (Right)
4	5702370	Rear Deflector
5	5702335	Chute Deflector
6	5702541	Wheel, 7" Poly (Gray)
	5702557	Wheel, 7" Ball Bearing (Gray)
	5702542	Wheel, 8" Poly (Gray)
	5702543	Wheel, 8" Ball Bearing (Gray)
7	5800582	Axle
8	6302401	Height Adjuster
9	5702067	Hub Cap, Steel Wheels
	5702458	Hub Cap, Poly Wheels
10	5602562	Handle, Lower
11	5602563	Handle, Upper
12	5702510	Throttle Control
13	5702534	Control Cable, Blade Brake
14	5602303	Control Bar, Blade Brake
15	5802497	Recoil Starter Mounting Bolt
16	5702291	Cable Tie
17	5801030	Pivot Bolt
18	5802148	Wing Nut
	5802429	Wing Knob
20	5602260	Mulcher Plate
40	5602502	Blade, 20"
41	5702516	Blade Adapter (2 3/16")
42	5800469	Blade Bolt (3/8" x 2 1/2") H.T.
44	5800117	Lockwasher
60	5702518	Safety Information Decals

PHYSICAL APPEARANCE OF PARTS MAY DIFFER SLIGHTLY FROM ILLUSTRATION.