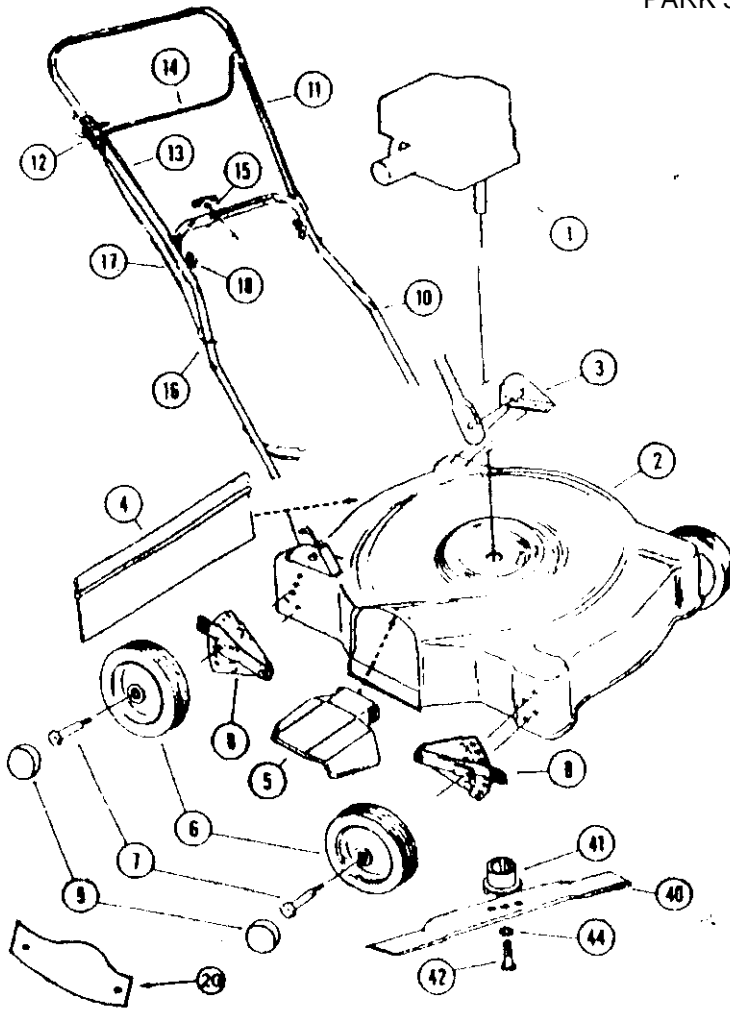


PARK 50 S COMBI & RAPID 20 COMBI

2000-M-5



REF NO.	PART NO.	DESCRIPTION
1	----	Engine (See Engine Manual)
2	5602402	Base, 20"
3	6302208	Handle Bracket (Left)
	6302209	Handle Bracket (Right)
4	5702370	Rear Deflector
5	5702335	Chute Deflector
6	5702541	Wheel, 7" Poly
7	5800582	Axle
8	6302401	Height Adjuster
10	5602562	Handle, Lower
11	5602563	Handle, Upper
13	5702534	Control Cable, Blade Brake
14	5602303	Control Bar, Blade Brake
15	5802399	Recoil Starter Mounting Bolt
16	6702291	Cable Tie
17	5801030	Pivot Bolt
18	5802148	Wing Nut
20	5602260	Mulcher Plate
40	5602502	Blade, 20"
41	5702516	Blade Adapter ( 2 3/16")
42	5800469	Blade Bolt (3/8" x 2 1/2") H T.
44	5800117	Lockwasher
60	5702518	Safety Information Decals

BOLT 90102721

MØTRIK 90100691

FOR MULCHER PLATE