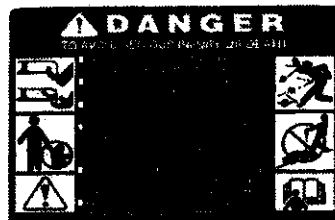


PARK 50 S & RAPID 20

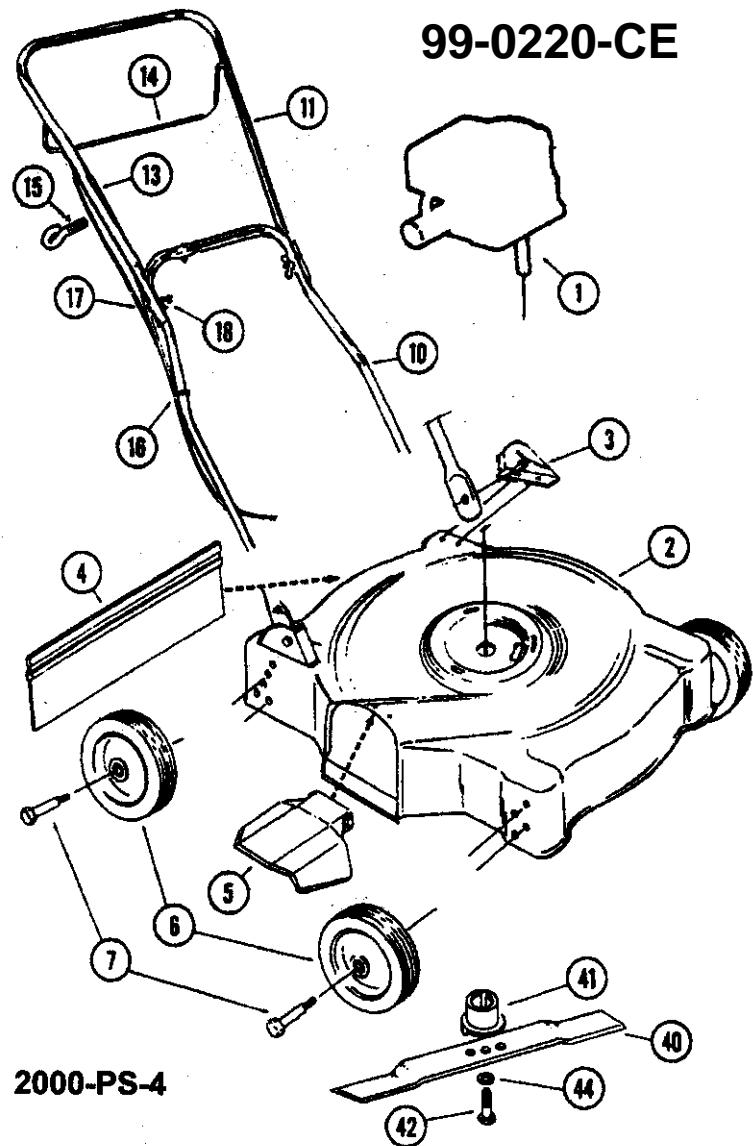
99-0220-CE



60

2000-PS-4

REF NO.	PART NO.	DESCRIPTION
PARTS WITHIN THIS BLOCK ARE FOR 20" MODEL WITH BRIGGS & STRATTON MANUAL LEVER ENGINE		
13	5702534	Control Cable, Blade Brake
PARTS WITHIN THIS BLOCK ARE FOR 20" MODEL WITH TECUMSEH FIXED SPEED ENGINE		
13	5702537	Control Cable, Blade Brake
PARTS WITHIN THIS BLOCK ARE COMMON PARTS		
1	----	Engine (See Engine Manual)
2	5602210	Base, 20"
3	6302208	Handle Bracket (Left)
	6302209	Handle Bracket (Right)
4	5702368	Rear Deflector
5	5702335	Chute Deflector
6	5700729	Wheel, 6" Poly
	5700730	Wheel, 7" Poly
7	5800431	Axle
10	5602562	Handle, Lower
11	5602563	Handle, Upper
14	5602303	Control Bar, Blade Brake
15	5802497	Recoil Starter Mounting Bolt
16	5702291	Cable Tie
17	5801030	Pivot Bolt
18	5802148	Wing Nut
40	5602341	Blade, 20"
41	5702515	Blade Adapter (1 3/4")
42	5800071	Blade Bolt (3/8" x 2") H.T.
44	5800117	Lockwasher
60	5702518	Safety Information Decals



2000-PS-4