



OWNERS MANUAL

90SP-2

Texas SSTR.

NOTE: ALL PAPERS INCLUDED IN THIS CARTON SHOULD BE KEPT BY PURCHASER FOR FUTURE REFERENCE.

Record the following information and keep for your permanent records. In all correspondence relating to this mower, or when ordering parts, furnish this information. Fill in required information on mower registration card and mail immediately. Engine information is stamped on side of engine housing. Mower information is printed on label located at rear of mower base assembly.

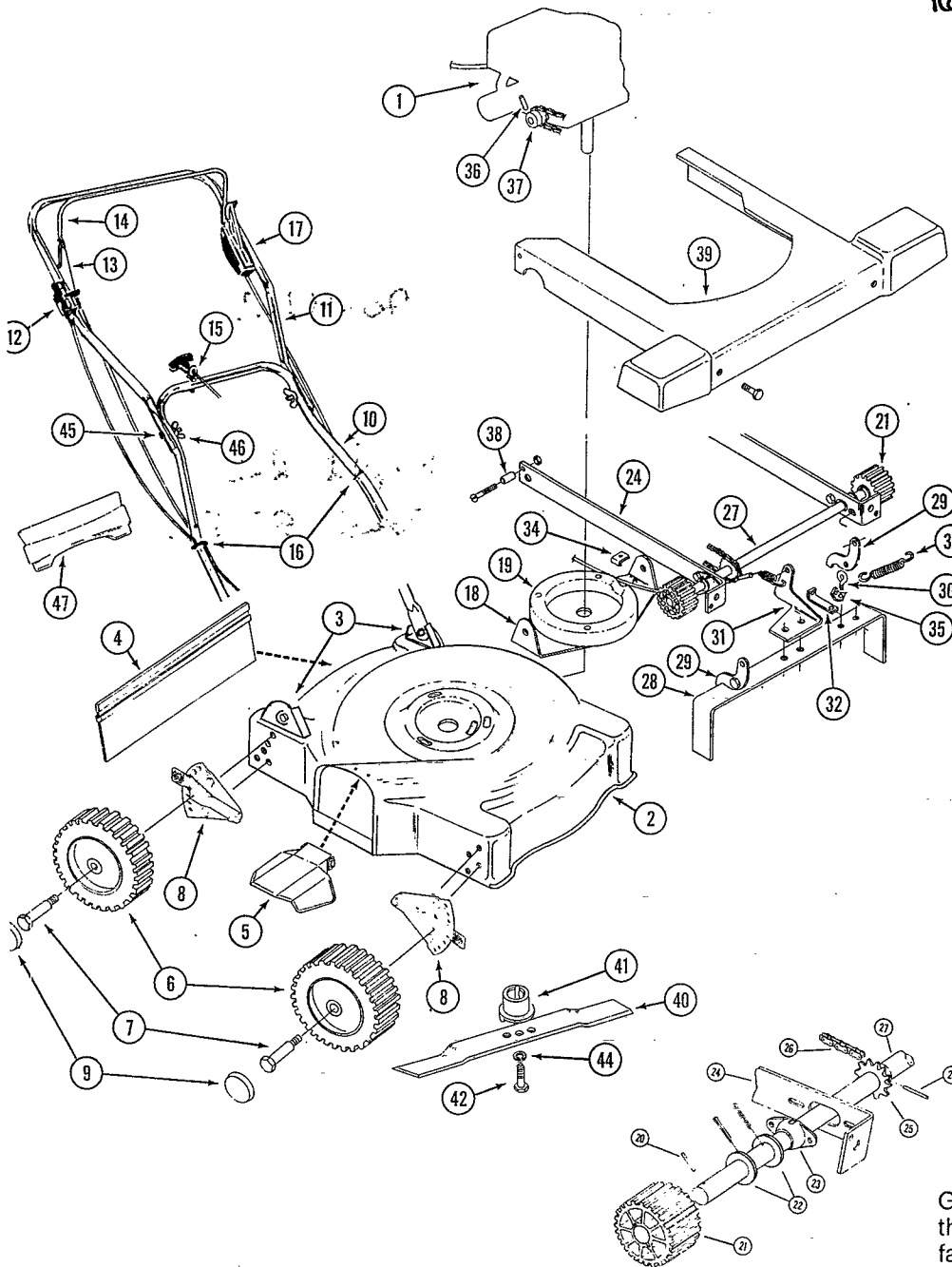
ENGINE INFORMATION	MOWER INFORMATION
Engine Make: _____	Name On Mower: _____
Model No.: _____	Model No.: _____
Type No.: _____	Serial No.: _____
Code No.: _____	Code No.: _____
Date of Purchase: _____	
Purchased From: _____	

SOUTHLAND MOWER CORPORATION

2995 OLD MONTGOMERY HIGHWAY • POST OFFICE BOX 347 • SELMA, ALABAMA 36701 • TELEPHONE (205) 874-7405

THIS MODEL MEETS C.P.S.C. BLADE SAFETY REQUIREMENTS

Repd 22



Ref. No.	Part No.	Description
1	—	Engine
2	2405	Base, 22" S.P.
3	2208	Handle Bracket (L & R)
4	2371	Rear Deflector
5	2335	Chute Deflector, Poly
6	2457	Wheel, 8" Poly 2517
7	582	Axle, Rear
	2241	Axle, Front
8	2400	Height Adjuster, Pivotal
10	2420-B	Handle, Lower - Black
11	2438-B	Handle, Upper - Black
12	2362	Throttle Control
13	2437	Control Cable, Blade Brake
14	2318	Control Bar, Blade Brake/SP
15	2399	Recoil Starter Mounting Bolt
16	2291	Cable Tie
17	2319	Control Assy. - S.P. Drive
18	2166	Mounting Bracket, S.P.
19	2167	Mounting Ring, Engine
20	974	Roll Pin (1/8" x 1" Driveshaft)
21	2172B	Pinion Gear, S.P. Drive
22	2189	Washer, Space (4/8" x 1 1/4")
23	2171	Bearing & Bracket - Driveshaft
24	2215	Support Arm, Driveshaft
25	2176	Sprocket, Driveshaft (5/8" Bore)
26	2177	Chain, S.P. Drive
27	2356	Driveshaft
28	2345	Crossmember, Clutch Control
29	2217	Pivot Arm, Clutch Control
30	2224	Eyebolt - S.P.
31	2220	Bracket, Clutch Control Cable
32	2221	Bracket, Clutch Spring
33	414	Spring, S.P. Tension
34	2233	Clamp, Clutch Control Adjustment
35	2328	Pivot Arm Stop
36	2188	Roll Pin (3/16" x 1") Engine
37	2175	Sprocket, Engine (1/2" Bore) 9 Tooth
38	2214	Spacer, Safety Guard
39	2173	Gurard, Safety Drive
40	2343	Blade, 22"
41	2409	Blade Adapter (2 3/16")
42	469	Blade Bolt (3/8" x 2 1/2") H.T.
44	117	Lockwasher
45	1030	Pivot Bolt, Fold Handle
46	2148	Wing Nut - STD

Grass Catcher No. 387 is available for this model. Contact your dealer or the factory for information.

Physical appearance of parts may differ slightly from illustrations.

This parts list includes optional or alternative equipment not necessarily installed on your mower. Parts will interchange if you desire the alternative replacement parts. Identify those parts installed on your mower for future reference.

Lawnmower parts listed here are available from your local dealer, many of Southland's Authorized Service Centers, or from our factory. When ordering or inquiring of parts, always furnish complete mower model number, code number, and serial number as well as required part number, description, and color if painted.

Use only Southland authorized or approved replacement parts.

Any reference to your mower and/or its parts as to right hand or left hand is determined as you stand behind mower in operator position.

Engine parts or service may be obtained at any Authorized Service Center or outlet of the engine manufacturer. Refer to your engine manual for details.