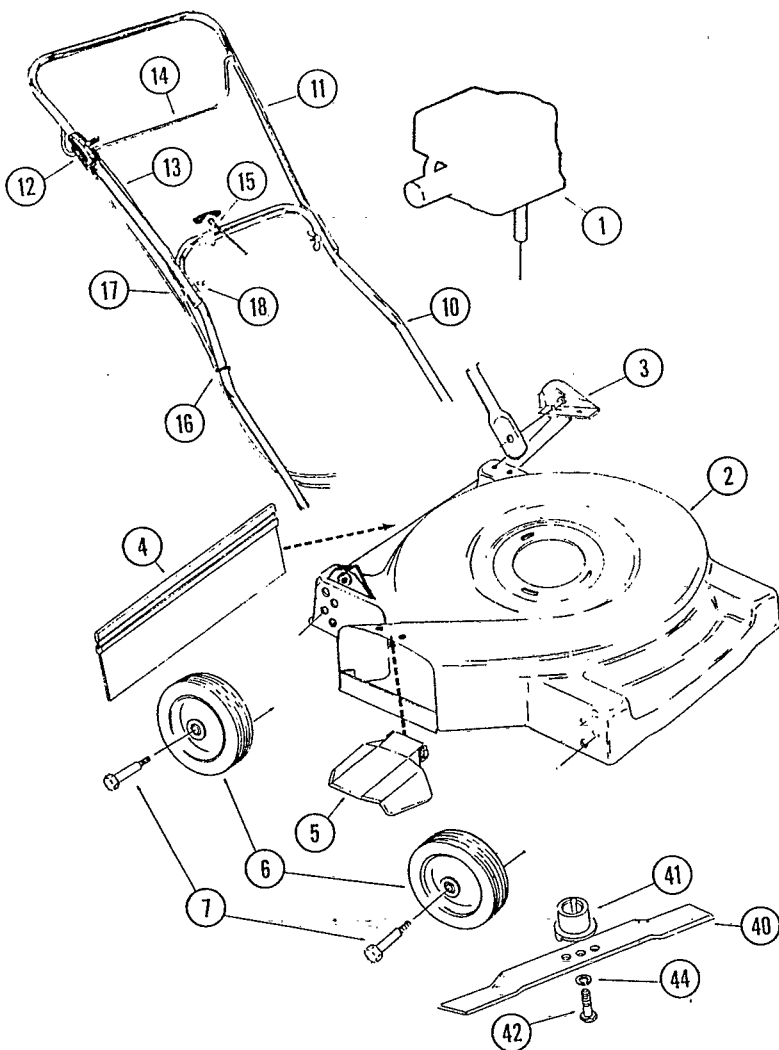


THIS MODEL MEETS C.P.S.C. BLADE SAFETY REQUIREMENTS



Ref. No.	Part No.	Description
1	—	Engine
2	2210	Base 20"
3	2208	Handle Bracket (L&R)
4	2368	Rear Deflector
5	2335	Chute Deflector; Poly
6	729	Wheel, 6" Poly
	2392	Wheel, 6" PVC
	730	Wheel, 7" Poly
	2397	Wheel, 7" PVC
	731	Wheel, 7" Steel; w/Grafoil Bushing
	733	Wheel, 7" Steel; Ball Bearing
7	431	Axle
10	2447-B	Handle, Lower - Black
	2447-C	Handle, Lower - Chrome
11	2449-B	Handle, Upper - Black
	2449-C	Handle, Upper - Chrome
12	2362	Throttle Control
13	2424	Control Cable, Blade Brake
14	2303	Control Bar, Blade Brake
15	2399	Recoil Starter Mounting Bolt
16	2291	Cable Tie
17	1030	Pivot Bolt, Fold Handle
18	2148	Wing Nut
40	2341	Blade, 20"
41	2408	Blade Adapter (1 3/4")
42	71	Blade Bolt (3/8" x 2") H.T.
44	117	Lockwasher

Grass Catcher No. 387 is available for this model. Contact your dealer or the factory for information.

Physical appearance of parts may differ slightly from illustrations.