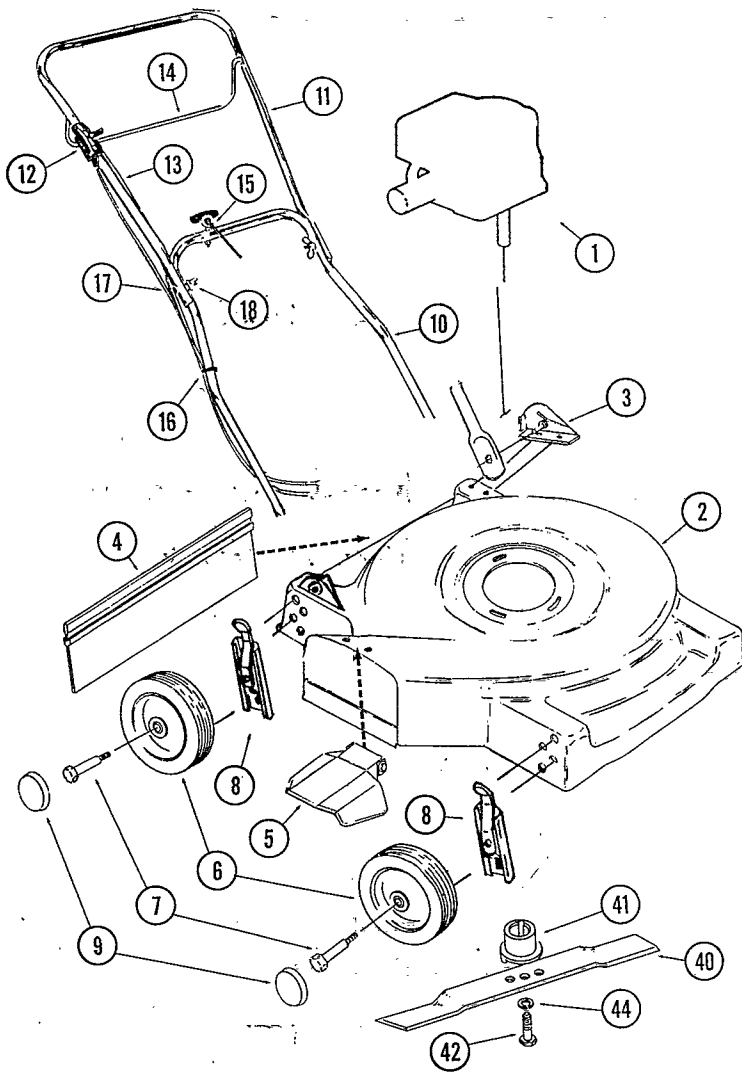


THIS MODEL MEETS C.P.S.C. BLADE SAFETY REQUIREMENTS *Rapid 20 D6*



Ref. No.	Part No.	Description
1	—	Engine
2	2210	Base 20"
3	2208	Handle Bracket (L&R)
4	2368	Rear Deflector
5	2335	Chute Deflector; Poly
6	730	Wheel, 7" Poly
	2397	Wheel, 7" PVC
	731	Wheel, 7" Steel; w/Grafoil Bushing
	733	Wheel, 7" Steel; Ball Bearing
7	582	Axle
8	840	Height Adjuster
9	2067	Hub Caps
10	2447-B	Handle, Lower - Black
	2447-C	Handle, Lower - Chrome
11	2449-B	Handle, Upper - Black
	2449-C	Handle, Upper - Chrome
12	2362	Throttle Control
13	2424	Control Cable, Blade Brake
14	2303	Control Bar, Blade Brake
15	2399	Recoil Starter Mounting Bolt
16	2291	Cable Tie
17	1030	Pivot Bolt, Fold Handle
18	2148	Wing Nut
40	2341	Blade, 20"
41	2408	Blade Adapter (1 3/4")
42	71	Blade Bolt (3/8" x 2") H.T.
44	117	Lockwasher

Grass Catcher No. 387 is available for this model. Contact your dealer or the factory for information.

*Physical appearance of parts may differ slightly from illustrations.*

This parts list includes optional or alternative equipment not necessarily installed on your mower. Parts will interchange if you desire the alternative replacement parts. Identify those parts installed on your mower for future reference.

Lawnmower parts listed here are available from your local dealer, many of Southland's Authorized Service Centers, or from our factory. When ordering or inquiring of parts, always furnish complete mower model number, code number, and serial number as well as required part number, description, and color if painted.

Use only Southland authorized or approved replacement parts.

Any reference to your mower and/or its parts as to right hand or left hand is determined as you stand behind mower in operator position.

Engine parts or service may be obtained at any Authorized Service Center or outlet of the engine manufacturer. Refer to your engine manual for details.