

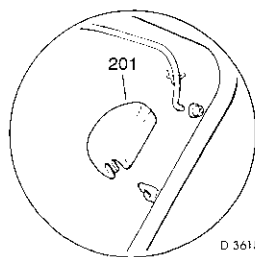
**R 484 TR****R 484 TR-E****ÅR 2000****R 534 TR****R 534 TR-E**

CHASSIS  
MANICO  
COMANDI  
DOTAZIONE VITERIE

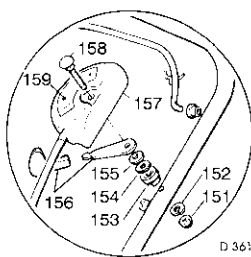
DECK  
HANDLE  
CONTROLS  
SCREWS OUTFITS

CHÂSSIS  
MANCHERON  
COMMANDES  
DOTATION VISSERIE

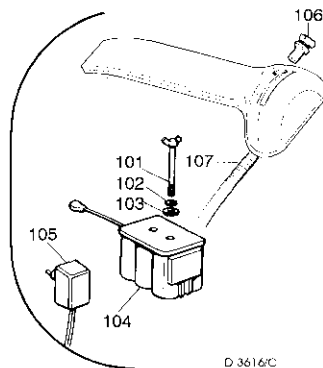
GEHÄUSE  
HOLM  
BETÄTIGUNGEN  
SCRAUBENSATZ



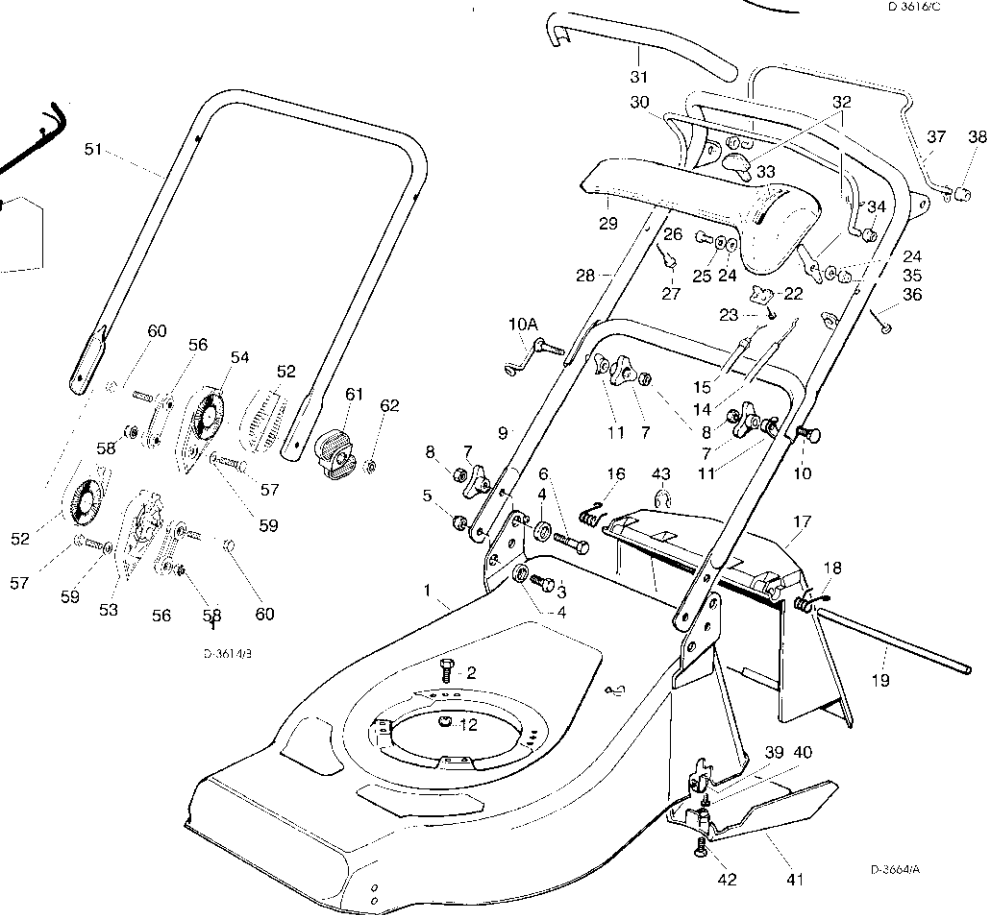
D 3615/E



D 3615/D



D 3616/C



D-3614/B

D-3664/A

**SPARE PARTS CATALOGUE****GB****ERSATZTEILKATALOG****D****CATALOGO DELLE PARTI  
DI RICAMBIO****I****CATALOGUE DES PIÈCES  
DE RECHANGE****F**

| Pos. Nr. | Codice Code Kodex | Q.tà Q.ty-Q.tè Menge | Descrizione       | Description       | Description      | Beschreibung      |
|----------|-------------------|----------------------|-------------------|-------------------|------------------|-------------------|
| 17       | 22600046-0        | 1                    | UDKASTERKLAP      | R534TR R534TR-E   |                  |                   |
| 1        |                   |                      | CHASSIS           | DECK              | CHÂSSIS          | GEHÄUSE           |
| —        | 81001630/0        | 1                    | ROSSO R 484 TR    | RED R 484 TR      | ROUGE R 484 TR   | ROTES R 484 TR    |
| —        | 81001631/0        | 1                    | GIALLO R 484 TR   | YELLOW R 484 TR   | JAUNE R 484 TR   | GELBES R 484 TR   |
| —        | 81001632/0        | 1                    | VERDE R 484 TR    | GREEN R 484 TR    | VERT R 484 TR    | GRÜNES R 484 TR   |
| —        | 81001657/0        | 1                    | ROSSO R 484 TR-E  | RED R 484 TR-E    | ROUGE R 484 TR-E | ROTES R 484 TR-E  |
| —        | 81001658/0        | 1                    | GIALLO R 484 TR-E | YELLOW R 484 TR-E | JAUNE R 484 TR-E | GELBES R 484 TR-E |
| —        | 81001659/0        | 1                    | VERDE R 484 TR-E  | GREEN R 484 TR-E  | VERT R 484 TR-E  | GRÜNES R 484 TR-E |
| —        | 81001720/1        | 1                    | ROSSO R 534 TR    | RED R 534 TR      | ROUGE R 534 TR   | ROTES R 534 TR    |
| —        | 81001721/1        | 1                    | GIALLO R 534 TR   | YELLOW R 534 TR   | JAUNE R 534 TR   | GELBES R 534 TR   |
| —        | 81001722/1        | 1                    | VERDE R 534 TR    | GREEN R 534 TR    | VERT R 534 TR    | GRÜNES R 534 TR   |
| —        | 81001723/1        | 1                    | ROSSO R 534 TR-E  | RED R 534 TR-E    | ROUGE R 534 TR-E | ROTES R 534 TR-E  |
| —        | 81001724/1        | 1                    | GIALLO R 534 TR-E | YELLOW R 534 TR-E | JAUNE R 534 TR-E | GELBES R 534 TR-E |
| —        | 81001725/1        | 1                    | VERDE R 534 TR-E  | GREEN R 534 TR-E  | VERT R 534 TR-E  | GRÜNES R 534 TR-E |
| 2        |                   |                      | VITE              | SCREW             | VIS              | SCHRAUBE          |
| —        | 12793700/0        | 3/2                  | (M8x30)           | (M8x30)           | (M8x30)          | (M8x30)           |
| —        | 12691800/0        | 0/1                  | (M8x60)           | (M8x60)           | (M8x60)          | (M8x60)           |
| 3        | 12792610/0        | 2                    | VITE              | SCREW             | VIS              | SCHRAUBE          |
| 4        | 22041955/0        | 4                    | BUSSOLA           | BUSH              | DOUILLE          | BUCHSE            |
| 5        | 12155000/0        | 2                    | DADO              | NUT               | ECROU            | MUTTER            |
| 6        | 12793700/0        | 2                    | VITE              | SCREW             | VIS              | SCHRAUBE          |
| 7        | 22399900/0        | 4                    | MANOPOLINA        | KNOB              | POIGNÉE          | GRIF              |
| 8        | 12293200/0        | 4                    | DADO              | NUT               | ECROU            | MUTTER            |

| Pos. Nr. | Codice Code Kodex | Q.tà Q.ty-Q.tè Menge | Descrizione                | Description                | Description                  | Beschreibung               |
|----------|-------------------|----------------------|----------------------------|----------------------------|------------------------------|----------------------------|
| 9        | 81006512/0        | 1                    | PARTE INF. MANICO          | LOWER HANDLE               | PARTIE INF. MANCHERON        | UNTERHOLM                  |
| 10       | 12819201/0        | 1                    | VITE                       | SCREW                      | VIS                          | SCHRAUBE                   |
| 10A      | 81003801/0        | 1                    | MOLLA GUIDA                | SPRING                     | RESSORT                      | FEDER                      |
| 11       | 22680006/1        | 2                    | RONDELLA                   | WASHER                     | RONDELLE                     | SCHIEBE                    |
| 12       | 12293201/0        | 3/2                  | DADO                       | NUT                        | ECROU                        | MUTTER                     |
| —        | 12155000/0        | 0/1                  | DADO                       | NUT                        | ECROU                        | MUTTER                     |
| 14       | 81007160/0        | 1                    | CAVO ACCELERATORE          | THROTTLE CABLE             | CABLE ACCELERATEUR           | BESCHLEUNIGER KABEL        |
| 15       | 81000629/1        | 1                    | CAVO FRENO MOTORE          | THREAD MOTOR BRAKE         | CABLE FREIN MOTEUR           | MOTORBREMSEKABEL           |
| —        | 81000629/1        | 1                    | R 484 (TECUMSEH)           | R 484 (TECUMSEH)           | R 484 (TECUMSEH)             | R 484 (TECUMSEH)           |
| —        | 81000631/0        | 1                    | R 484 (QUANTUM XM-ES 40)   | R 484 (QUANTUM XM-ES 40)   | R 484 (QUANTUM XM-ES 40)     | R 484 (QUANTUM XM-ES 40)   |
| —        | 81000625/0        | 1                    | R 484 (SPRINT 375/QUATTRO) | R 484 (SPRINT 375/QUATTRO) | R 484 (SPRINT 375/QUATTRO)   | R 484 (SPRINT 375/QUATTRO) |
| —        | 81000641/0        | 1                    | R 484 (HONDA GCV 135/160)  | R 484 (HONDA GCV 135/160)  | R 484 (HONDA GCV 135/160)    | R 484 (HONDA GCV 135/160)  |
| —        | 81000642/0        | 1                    | R 534 (QUANTUM XM-ES 40)   | R 534 (QUANTUM XM-ES 40)   | R 534 (QUANTUM XM-ES 40)     | R 534 (QUANTUM XM-ES 40)   |
| —        | 81000643/0        | 1                    | R 534 (SPRINT 375/QUATTRO) | R 534 (SPRINT 375/QUATTRO) | R 534 (SPRINT 375/QUATTRO)   | R 534 (SPRINT 375/QUATTRO) |
| —        | 81000644/0        | 1                    | R 534 (TECUMSEH)           | R 534 (TECUMSEH)           | R 534 (TECUMSEH)             | R 534 (TECUMSEH)           |
| —        | 81000640/0        | 1                    | R 534 (HONDA GCV 135/160)  | R 534 (HONDA GCV 135/160)  | R 534 (HONDA GCV 135/160)    | R 534 (HONDA GCV 135/160)  |
| 16       | 22450410/1        | 1                    | MOLLA DX                   | RIGHT SPRING               | RESSORT DROITE               | RECHTE FEDER               |
| 17       | 22600028/4        | 1                    | PARASASSI                  | STONE-GUARD                | PARE-PIERRES                 | PRALLBLECH                 |
| 18       | 22450420/1        | 1                    | MOLLA SX                   | LEFT SPRING                | RESSORT GAUCHE               | LINKE FEDER                |
| 19       | 22517906/1        | 1                    | PERNO                      | PIN                        | PIVOT                        | BOLZEN                     |
| 22       | 22981467/0        | 1                    | PIASTRINA                  | PLAQUE                     | PLAQUETTE                    | PLATTE                     |
| 23       | 12735105/0        | 2                    | VITE                       | SCREW                      | VIS                          | SCHRAUBE                   |
| 24       | 12523040/0        | 2                    | RONDELLA                   | WASHER                     | RONDELLE                     | SCHIEBE                    |
| 25       | 12530060/0        | 1                    | RONDELLA ELASTICA          | SPRING WASHER              | RONDELLE ELASTIQUE           | ELASTISCHE SCHEIBE         |
| 26       | 12791500/0        | 1                    | VITE                       | SCREW                      | VIS                          | SCHRAUBE                   |
| 27       | 22943006/0        | 1                    | VITE                       | SCREW                      | VIS                          | SCHRAUBE                   |
| 28       | 81007024/0        | 1                    | PARTE SUP. MANICO          | UPPER HANDLE               | PARTIE SUP. MANCHERON        | OBERHOLM                   |
| 29       | 22120154/0        | 1                    | CRUSCOTTO                  | DASH BOARD                 | CONSOLE                      | KONSOLE                    |
| —        | 22120154/0        | 1                    | ROSSO                      | RED                        | ROUGE                        | ROTE                       |
| —        | 22120152/0        | 1                    | GIALLO                     | YELLOW                     | JAUNE                        | GELBE                      |
| —        | 22120158/0        | 1                    | NERO                       | BLACK                      | NOIRE                        | SCHWARZE                   |
| 30       | 81003291/2        | 1                    | LEVA FRENO MOTORE          | BRAKE LEVER                | LEVIER FREIN MOTEUR          | MOTORBREMSEHEBEL           |
| 31       | 22291050/0        | 1                    | IMPUGNATURA MANICO         | HANDGRIP                   | POIGNÉE                      | HANDGRIFF                  |
| —        | 22291051/0        | 1                    | NERA                       | BLACK                      | NOIRE                        | SCHWARZER                  |
| —        | 22291051/0        | 1                    | ROSSA                      | RED                        | ROUGE                        | RÖTHER                     |
| —        | 22291052/0        | 1                    | GIALLA                     | YELLOW                     | JAUNE                        | GELBER                     |
| 32       | 81007280/2        | 1                    | ASS. LEVA + MANOPOLINA     | LEVER + KNOB ASS. Y        | ENS. LEVIER + POIGNÉE        | HEBEL + GRIFF SATZ         |
| 33       | 14356743/0        | 1                    | ETICHETTA (TECUMSEH-HONDA) | LABEL (TECUMSEH-HONDA)     | ETIQUETTE (TECUMSEH-HONDA)   | ETIKETTE (TECUMSEH-HONDA)  |
| —        | 14356744/0        | 1                    | (B&S)                      | (B&S)                      | (B&S)                        | (B&S)                      |
| 34       | 22041966/0        | 1                    | BOCCOLA                    | BUSH                       | DOUILLE                      | BUCHSE                     |
| 35       | 12154510/0        | 1                    | DADO                       | NUT                        | ECROU                        | MUTTER                     |
| 36       | 12728460/0        | 1                    | VITE                       | SCREW                      | VIS                          | SCHRAUBE                   |
| 37       | 81003288/1        | 1                    | LEVA TRAZIONE              | DRIVING LEVER              | LEVIER TRACTION              | ANTRIEBHEBEL               |
| 38       | 22041965/0        | 2                    | BOCCOLA                    | BUSH                       | DOUILLE                      | BUCHSE                     |
| 39       | 22545152/0        | 2                    | PIASTRINA                  | PLAQUE                     | PLAQUETTE                    | PLATTE                     |
| 40       | 12731350/0        | 4                    | VITE                       | SCREW                      | VIS                          | SCHRAUBE                   |
| 41       | 22060180/0        | 1                    | CARTER (R 484)             | BELT PROTECTION (R 484)    | PROTECTION COURROIRE (R 484) | RIEMENSCHUTZ (R 484)       |
| —        | 22060193/0        | 1                    | (R 534)                    | (R 534)                    | (R 534)                      | (R 534)                    |
| 42       | 12727791/0        | 1                    | VITE                       | SCREW                      | VIS                          | SCHRAUBE                   |
| 43       | 12000930/0        | 1                    | ANELLO ELASTICO            | SNAP RING                  | ANNEAU RESSORT               | SPRENGRING                 |
| —        | 81008614/1        | 1                    | DOTAZIONE VITERIA          | SCREWS OUTFIT              | DOTATION VISSERIE            | SCHRAUBEN SATZ             |
| —        | 81008609/0        | 1                    | DOTAZIONE CRUSCOTTO        | DASH-BOARD OUTFIT          | DOTATION CONSOLE             | KONSOLE SATZ               |

**VARIANTE REGOLAZIONE MANICO**

**HANDLE ADJUSTMENT VARIANT**

**VARIANTE REGLAGE POIGNEE**

**GRIFFEINTELLVARIANTE**

|    |            |   |                     |                     |                        |                         |
|----|------------|---|---------------------|---------------------|------------------------|-------------------------|
| 51 | 81006510/0 | 1 | PARTE INF. MANICO   | LOWER HANDLE        | PARTIE INF. MANCHERON  | UNTERHOLM               |
| 52 | 22785081/0 | 2 | SUPPORTO ESTERNO    | EXTERNAL SUPPORT    | SUPPORT EXTERNE        | AUßERE HALTERUNG        |
| 53 | 22785082/0 | 1 | SUPPORTO INTERNO DX | R. INTERNAL SUPPORT | SUPPORT INTERNE DROIT  | INNERE HALTERUNG RECHTS |
| 54 | 22785083/1 | 1 | SUPPORTO INTERNO SX | L. INTERNAL SUPPORT | SUPPORT INTERNE GAUCHE | INNERE HALTERUNG LINKS  |
| 56 | 22551575/0 | 2 | PIASTRINA INTERNA   | INSIDE PLAQUE       | PLAQUETTE INTERNE      | INNERE PLATTE           |
| 57 | 12793701/0 | 2 | VITE                | SCREW               | VIS                    | SCHRAUBE                |
| 58 | 12155000/0 | 2 | DADO                | NUT                 | ECROU                  | MUTTER                  |
| 59 | 12521350/0 | 2 | RONDELLA            | WASHER              | RONDELLE               | SCHIEBE                 |
| 60 | 12691810/0 | 2 | VITE                | SCREW               | VIS                    | SCHRAUBE                |
| 61 | 22399803/0 | 2 | MANOPOLINA          | KNOB                | POIGNÉE                | GRIFF                   |
| 62 | 12293202/0 | 2 | DADO                | NUT                 | ECROU                  | MUTTER                  |
| —  | 81008623/0 | 1 | DOTAZ. VITERIA      | SCREWS OUTFIT       | DOTATION VISSERIE      | SCHRAUBEN SATZ          |

**VARIANTI PER AVVIAMENTO ELETTRICO**

**PARTS FOR ELECTRIC START**

**COMPOSANTS POUR DÉMARRAGE ÉLÉCTRIQUE**

**ELEKTROSTART BESTANDTEILE**

|     |            |   |                 |                 |                      |            |
|-----|------------|---|-----------------|-----------------|----------------------|------------|
| 101 | 22517855/0 | 2 | PERNO           | PIN             | PIVOT                | BOLZEN     |
| 102 | 12523000/0 | 2 | RONDELLA        | WASHER          | RONDELLE             | SCHIEBE    |
| 103 | 12540020/0 | 2 | RONDELLA        | WASHER          | RONDELLE             | SCHIEBE    |
| 104 | 18120050/0 | 1 | BATTERIA        | BATTERY         | BATTERIE             | BATTERIE   |
| 105 | 18204110/0 | 1 | CARICA BATTERIA | BATTERY CHARGER | CHARGEUR DE BATTERIE | LADGERÄT   |
| 106 | 18450050/0 | 1 | INTERRUTTORE    | SWITCH          | INTERRUPTEUR         | SCHALTER   |
| 107 | 18204190/2 | 1 | CAVO AVVIAMENTO | START CABLE     | CABLE DÉMARRAGE      | STARTKABEL |

**VARIANTE ACCELERATORE**

**THROTTLE VARIANTS**

**VARIANTES COMMANDE D'ACCELERATION**

**ÄNDERUNGEN AUF GASHEBEL**

|     |            |   |      |     |       |        |
|-----|------------|---|------|-----|-------|--------|
| 151 | 12291000/0 | 1 | DADO | NUT | ECROU | MUTTER |
|-----|------------|---|------|-----|-------|--------|

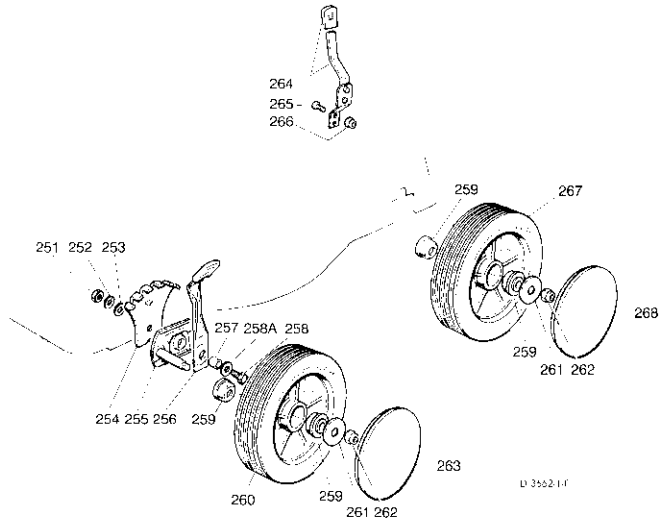
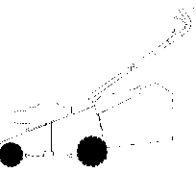
| Pos. Nr. | Code Code Kodex | Q.tà Q.ty-Q.tè Menge | Descrizione                      | Description                  | Description                                | Beschreibung   |
|----------|-----------------|----------------------|----------------------------------|------------------------------|--|--|
| 152      | 12581500/0      | 1                    | GROWER                           | GROWER                       | GROWER                                     | FEDERRING  |
| 153      | 22171005/0      | 1                    | DISTANZIALE                      | SPACER                       | ENTRETOISE                                 | DISTANZRING  |
| 154      | 12521360/0      | 1                    | RONDELLA                         | WASHER                       | RONDELLE                                   | SCHEIBE  |
| 155      | 12508100/0      | 1                    | RONDELLA ELASTICA                | SPRING WASHER                | RONDELLE ELASTIQUE                         | ELASTISCHE SCHEIBE                                   |
| 156      | 81007279/0      | 1                    | ASS. LEVA+MANOPOLINA             | LEVER+KNOB ASS.Y             | ENS. LEVIER+POIGNEE                        | HEBEL+GRIFF SATZ                                     |
| 157      | 81007080/0      | 1                    | ASSIEME ACCELERATORE             | TROTTLER UNIT ASS.Y          | ENS. ACCELERATEUR                          | BESCHLEUNIGER SATZ                                   |
| 158      | 12815000/0      | 1                    | VITE                             | SCREW                        | VIS  | SCHRAUBE   |
| 159      | —               | —                    | ETICHETTA (TECUMSEH-HONDA) (B&S) | LABEL (TECUMSEH-HONDA) (B&S) | ETIQUETTE (TECUMSEH-HONDA) (B&S)           | ETIKETTE (TECUMSEH-HONDA) (B&S)                      |
|          |                 |                      | <b>VARIANTE REGIME FISSO</b>     | <b>FIXED SPEED VARIANTS</b>  | <b>VARIANTES POUR MODÈLE À REGIME FIXE</b> | <b>ÄNDERUNGEN FÜR MODELLE MIT FIXIERTER DREHZAHL</b> |
| 201      | 22601000/0      |                      | PROTEZIONE                       | PROTECTION                   | PROTECTION                                 | SCHUTZ   |

### RUOTE E REGOLAZIONE

### WHEELS AND HEIGHT ADJUSTING

### ROUES ET REGLAGE HAUTEUR DE COUPE

### RÄDER UND SCHNITTHÖHEVERSTELLUNG



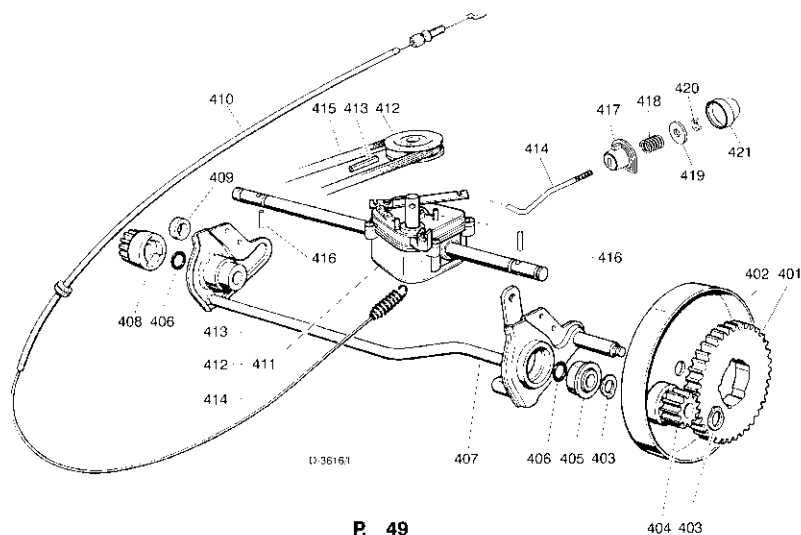
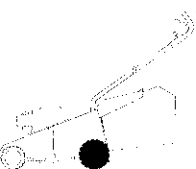
|      |            |   |                     |                   |                 |                   |
|------|------------|---|---------------------|-------------------|-----------------|-------------------|
| 251  | 12293200/0 | 2 | DADO                | NUT               | ECROU           | MUTTER            |
| 252  | 12583500/0 | 2 | GROWER              | GROWER            | GROWER          | FEDERRING         |
| 253  | 12523070/0 | 2 | RONDELLA            | WASHER            | RONDELLE        | SCHEIBE           |
| 254  | 22735547/0 | 2 | SETTORE REGOLAZIONE | ADJUSTMENT SECTOR | SECTEUR REGLAGE | VERSTELLUNGSEKTOR |
| 255  | 81005082/0 | 2 | SUPP. RUOTA         | WHEEL SUPPORT     | SUPPORT ROUE    | RADHALTER         |
| 256  | 81003285/1 | 2 | LEVA REGOLAZIONE    | ADJUSTMENT LEVER  | LEVIER REGLAGE  | VERSTELLUNGHEBEL  |
| 257  | 22171001/0 | 2 | DISTANZIALE         | SPACER            | ENTRETOISE      | DISTANZRING       |
| 258  | 12793701/0 | 2 | VITE                | SCREW             | VIS             | SCHRAUBE          |
| 258A | 12521350/0 | 2 | RONDELLA            | WASHER            | RONDELLE        | SCHEIBE           |
| 259  | 22034508/0 | 8 | BOCCOLA             | BUSH              | DOUILLE         | BUCHSE            |
| 260  | 81007326/0 | 4 | RUOTA Ø 170         | WHEEL Ø 170       | ROUE Ø 170      | RAD Ø 170         |
| 261  | 12523060/0 | 4 | RONDELLA            | WASHER            | RONDELLE        | SCHEIBE           |
| 262  | 12155000/0 | 4 | DADO                | NUT               | ECROU           | MUTTER            |
| 263  | —          | — | COPRIMOZZO          | HUB CAP           | COUVRE-MOYEU    | RADKAPPE          |
| —    | 22110262/0 | 2 | BIANCO              | WHITE             | BLANC           | WEIÙE             |
| —    | 22110263/0 | 2 | GIALLO              | YELLOW            | JAUNE           | GELBE             |
| —    | 22110264/0 | 2 | ROSSO               | RED               | ROUGE           | ROTE              |
| 264  | 81003279/2 | 1 | LEVA REGOLAZIONE    | ADJUSTMENT LEVER  | LEVIER REGLAGE  | VERSTELLUNGHEBEL  |
| 265  | 12789000/0 | 2 | VITE                | SCREW             | VIS             | SCHRAUBE          |
| 266  | 12154330/0 | 2 | DADO                | NUT               | ECROU           | MUTTER            |
| 267  | 81007328/0 | 2 | RUOTA Ø 210         | WHEEL Ø 210       | ROUE Ø 210      | RAD Ø 210         |
| 268  | —          | — | COPRIMOZZO          | HUB CAP           | COUVRE-MOYEU    | RADKAPPE          |
| —    | 22110265/0 | 2 | BIANCO              | WHITE             | BLANC           | WEIÙE             |
| —    | 22110266/0 | 2 | GIALLO              | YELLOW            | JAUNE           | GELBE             |
| —    | 22110267/0 | 2 | ROSSO               | RED               | ROUGE           | ROTE              |

### GRUPPO TRAZIONE

### REAR DRIVE

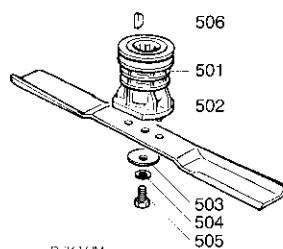
### GROUPE TRACTION

### ANTRIEB

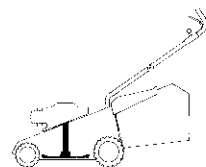


D-3624/I

| Pos. Nr. | Codice Code Kodex | Q.tà Q.ty-Q.tè Menge | Descrizione           | Description      | Description            | Beschreibung          |
|----------|-------------------|----------------------|-----------------------|------------------|------------------------|-----------------------|
| 401      | 22120105/1        | 2                    | CORONA                | RING GEAR        | COURONNE               | KRANZ                 |
| 402      | 81006846/0        | 2                    | PROTEZIONE RUOTE      | WHEEL GUARD      | PROTECTION ROUE        | RÄDERSCHUTZ           |
| 403      | 12608600/0        | 4                    | SEEGER                | SEEGER           | SEEGER                 | SEEGER                |
| 404      | 22570120/0        | 1                    | PIGNONE SINISTRO      | LEFT PINION      | PIGNON GAUCHE          | LINKES RITZEL         |
| 405      | 22122200/0        | 2                    | CUSCINETTO            | BEARING          | COUSSINET              | LAGER                 |
| 406      | 12019900/0        | 2                    | ANELLO OR             | OR RING          | BAGUE OR               | RING OR               |
| 407      | 81001252/1        | 1                    | ASSE RUOTE POSTERIORE | REAR WHEELS AXLE | AXE ROUES ARRIERE      | HINTERRADACHSE        |
| 408      | 22570110/0        | 1                    | PIGNONE DESTRO        | RIGHT PINION     | PIGNON DROITE          | RECHTES RITZEL        |
| 409      | 22170800/0        | 1                    | DISTANZIALE           | SPACER           | ENTRETOISE             | DISTANZRING           |
| 410      | 81001143/0        | 1                    | ASS. COMANDO TRAZIONE | REAR DRIVE ASS.Y | ENS. COMMANDE TRACTION | ANTRIEBKABEL          |
| 411      | ■                 |                      | ASS. GRUPPO TRAZIONE  | GEAR BOX ASS.Y   | ENS. GROUPE TRACTION   | ANTRIEBSATZ           |
| —        | 81003059/0        | 1                    | (PLASTICA)            | (PLASTIC)        | (PLASTIQUE)            | (KUNSTSTOFF)          |
| —        | 81003060/0        | 1                    | (ALLUMINIO)           | (ALUMINIUM)      | (ALUMINIUM)            | (ALUMINIUM)           |
| 412      | 22601904/0        | 1                    | PULEGGIA 4 KM/H       | PULLEY 4 KM/H    | POULIE 4 KM/H          | RIEMENSCHLEIBE 4 KM/H |
| 413      | 12645705/0        | 1                    | SPINA                 | PIN              | GOUPILLE               | STIFT                 |
| 414      | 22033280/0        | 1                    | ASTA REGOLAZIONE      | ADJUSTMENT ROD   | TIGE REGLAGE           | VERSTELLUNGSTANGE     |
| 415      | ■                 |                      | CINGHIA               | BELT             | COURROIE               | RIEMEN                |
| —        | 35063800/0        | 1                    | Z 27 (R 484)          | Z 27 (R 484)     | Z 27 (R 484)           | Z 27 (R 484)          |
| —        | 35063902/0        | 1                    | Z 29.5 (R 534)        | Z 29.5 (R 534)   | Z 29.5 (R 534)         | Z 29.5 (R 534)        |
| 416      | 22753000/0        | 2                    | SPINA                 | PIN              | GOUPILLE               | STIFT                 |
| 417      | 22041957/0        | 1                    | BUSSOLA               | BUSH             | DOUILLE                | BUCHSE                |
| 418      | 22450063/0        | 1                    | MOLLA                 | SPRING           | RESSORT                | FEDER                 |
| 419      | 22680009/0        | 1                    | RONDELLA              | WASHER           | RONDELLE               | SCHLEIBE              |
| 420      | 12154510/0        | 1                    | DADO                  | NUT              | ECROU                  | MUTTER                |
| 421      | 22110230/0        | 1                    | TAPPO                 | CAP              | BOUCHON                | GUMMISTOPFEN          |

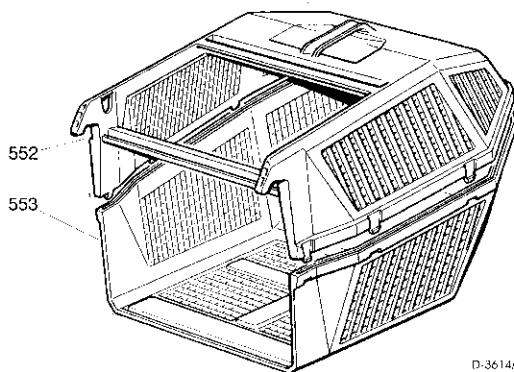
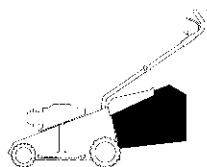
**GRUPPO COLTELLO****BLADE ASS.Y****GROUPE LAME****MESSERSATZ**

D-3616/M



D-3624/M

|     |            |   |                    |                 |                    |                    |
|-----|------------|---|--------------------|-----------------|--------------------|--------------------|
| 501 | 22465607/0 | 1 | MOZZO CON PULEGGIA | HUB WITH PULLEY | MOYEU AVEC POULIE  | NABE MIT SCHEIBE   |
| 502 | ■          |   | COLTELLO           | BLADE           | LAME               | MESSER             |
| —   | 81004346/2 | 1 | STANDARD 46 cm     | STANDARD 46 cm  | STANDARD 46 cm     | STANDARD 46 cm     |
| —   | 81004397/0 | 1 | ALETTATO 46 cm     | WINGED 46 cm    | AILETTÉE 46 cm     | FLÜGEL 46 cm       |
| —   | 81004381/0 | 1 | STANDARD 51 cm     | STANDARD 51 cm  | STANDARD 51 cm     | STANDARD 51 cm     |
| —   | 81004398/0 | 1 | ALETTATO 51 cm     | WINGED 51 cm    | AILETTÉE 51 cm     | FLÜGEL 51 cm       |
| 503 | 22160400/0 | 1 | RONDELLA ELASTICA  | SPRING WASHER   | RONDELLE ELASTIQUE | ELASTISCHE SCHEIBE |
| 504 | 12523080/0 | 1 | RONDELLA           | WASHER          | RONDELLE           | SCHLEIBE           |
| 505 | 12735698/0 | 1 | VITE               | SCREW           | VIS                | SCHRAUBE           |
| 506 | 12139100/0 | 1 | LINGUETTA          | FEATHER         | CLAVETTE           | KEIL               |

**SACCO RACCOGLIERBA****GRASS-CATCHER****BAC DE RAMASSAGE****GRASFANGKORB**

D-3614/N

D-3614/N

|     |            |   |                 |                   |                |           |
|-----|------------|---|-----------------|-------------------|----------------|-----------|
| 552 | 22486076/0 | 1 | PORTE SUP SACCO | UPPER GRASS BOX   | PARTIE SUP SAC | OBERKORB  |
| 553 | 22486077/0 | 1 | PORTE INF SACCO | LOWER GRASS BOX   | PARTIE INF SAC | UNTERKORB |
| 552 | 22486073-0 |   | ØVERSTEOPSAMLER | R534TR & R534TR-E |                |           |
| 553 | 22486074-0 |   | NED. OPSAMLER   | R534TR & R534TR-E |                |           |